

FORTEVER®

零 件 书

SPARE PARTS BOOK

PORTABLE TUBULAR EMBROIDERY MACHINE

轻轨帽绣机

MODEL: FT-1201HC

FT-1202HC

FT-1503HC

FT-1504HC

FT- 905HC

PORTABLE TUBULAR EMBROIDERY MACHINE

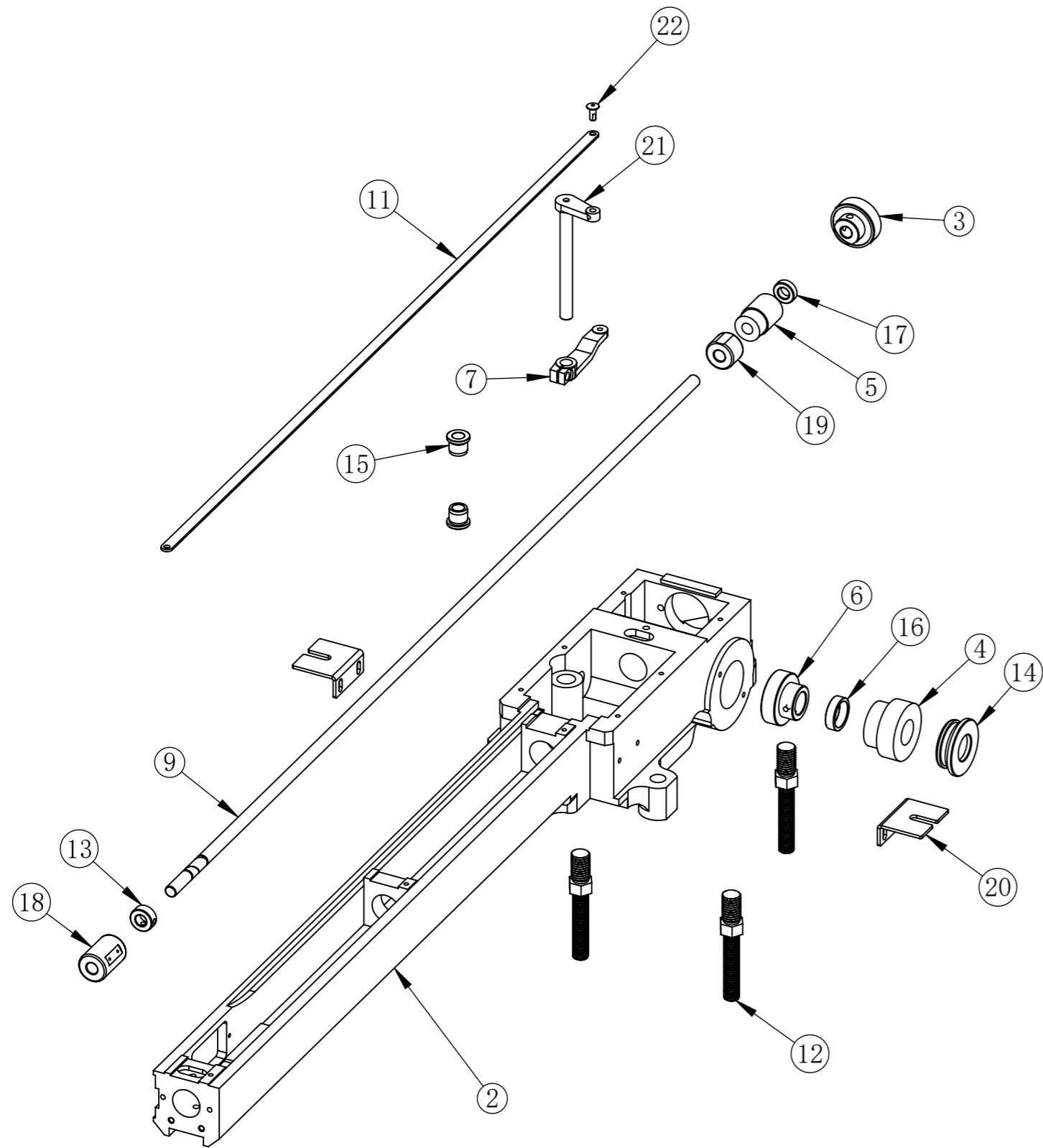
轻轨帽绣机

C O N T E N T S

目 录

1	Rotary Hook Base 梭床	8	Gear Box 齿轮箱
2	Trimming Parts 底线剪线部分	9	Machine Cover 机器罩盖
3	XY Drive System XY导轨驱动系统	10	Color Change Parts 换色
4	X Axis Guide Rail X向导轨	11	Trimming Drive System 剪线驱动
5	Y Axis Guide Rail Y向导轨	12	Tension 夹线器
6-1	Head Guide Rail Jump Solenoid 机头导轨 机头电磁铁	13	Stand 底架
6-2	Slide Block Take Up Lever A/B 针杆驱动块 挑线杆AB	14	Thread Stand 线架
6-3	Needle Bar Driving Cam Set 大连杆组件	15	
6-4	Presser Foot Cam Block 压脚凸轮 压脚驱动块	16	Embroidery Frame 花架
6-5	Jump Motor 电机跳跃	17	Cap Frame Parts 帽框组件
7-1	Needle bar Take Up Lever 针杆 挑线杆	18	Cap Stand Frame 帽架
7-2	Head Cover Thread Lock 面盖 下过线		

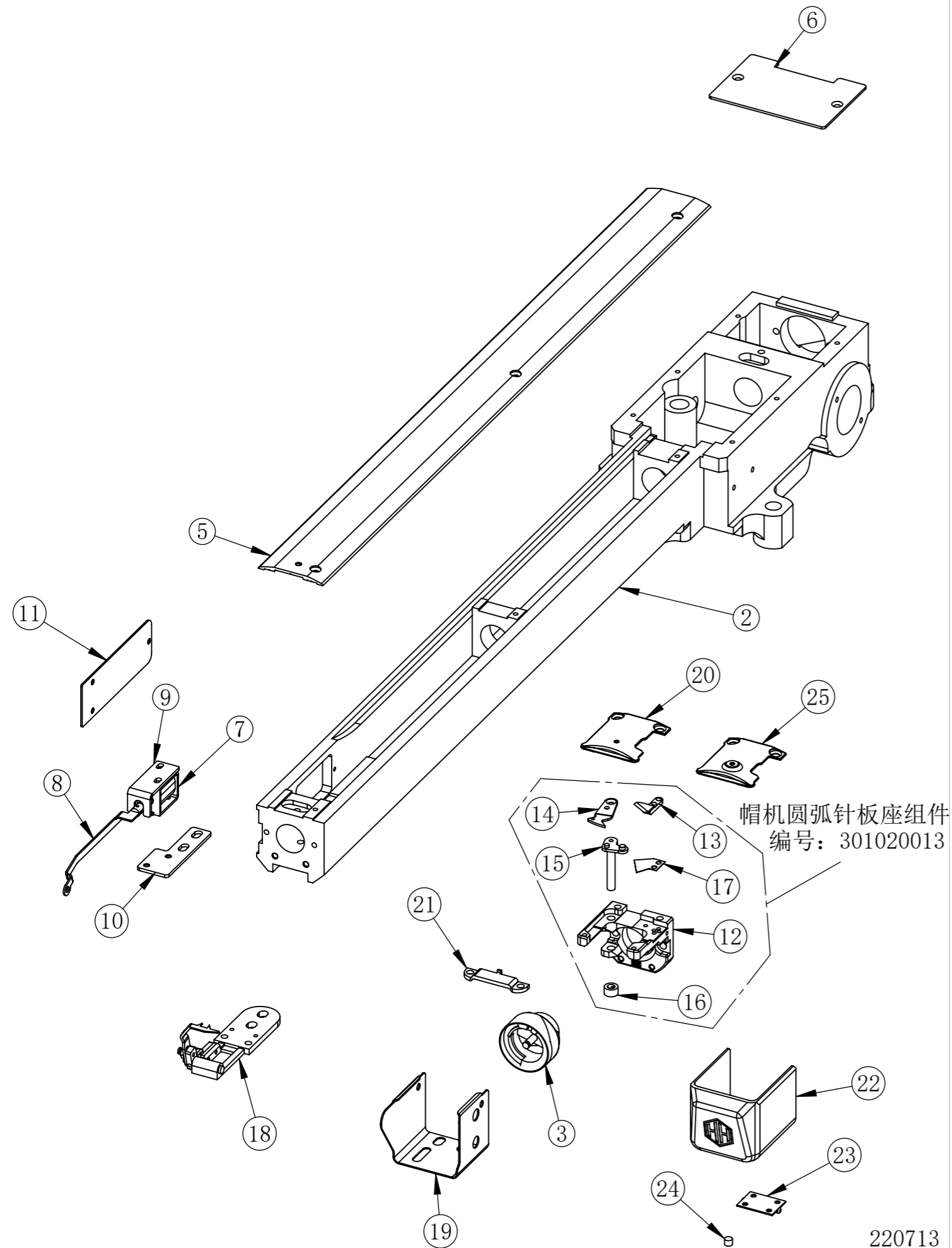
1 Rotary Hook Base 梭床



1 Rotary Hook Base 梭床

No.	Chinese Description	Description	Part No.	Qty
1	蜗齿梭箱-Y400	Rotary Hook Base	109030001	
2	蜗齿梭箱-Y500	Rotary Hook Base	109030002	1
3	联体轴承6201	Bearing	202150016	1
4	大蜗齿轮d17	Big Gear	109030010	1
5	小蜗齿轮	Small Gear	109030011	1
6	联体轴承6003	Bearing 6003	202150004	1
7	开口剪线连杆	Drive Arm	105070006	1
8	旋梭轴-轻轨Y400	Rotary Hook Shaft	109030003	
9	旋梭轴-轻轨Y500	Rotary Hook Shaft	109030004	1
10	剪线薄拉杆-轻轨Y400	Knife Connecting Plate	109030005	
11	剪线薄拉杆-轻轨Y500	Knife Connecting Plate	109030006	1
12	梭箱高低调节螺栓	Adjust Screw	109030013	3
13	两眼挡圈	Collar	105030010	1
14	梭箱封油挡圈	Bushing	109030017	1
15	铜套D12-d8	Oiled Bearing	105070014	2
16	大蜗齿侧垫圈	Collar	109030014	1
17	小蜗齿侧垫圈	Collar	109030015	1
18	旋梭粉末套	Bushing	105030011	1
19	旋梭粉末套-短	Bushing	109030016	1
20	梭箱侧面台板支架	Table Support	109140004	2
21	剪线驱动柄	Thread Trimming Lever	105070001	1
22	薄头销钉	Pin	105070022	1

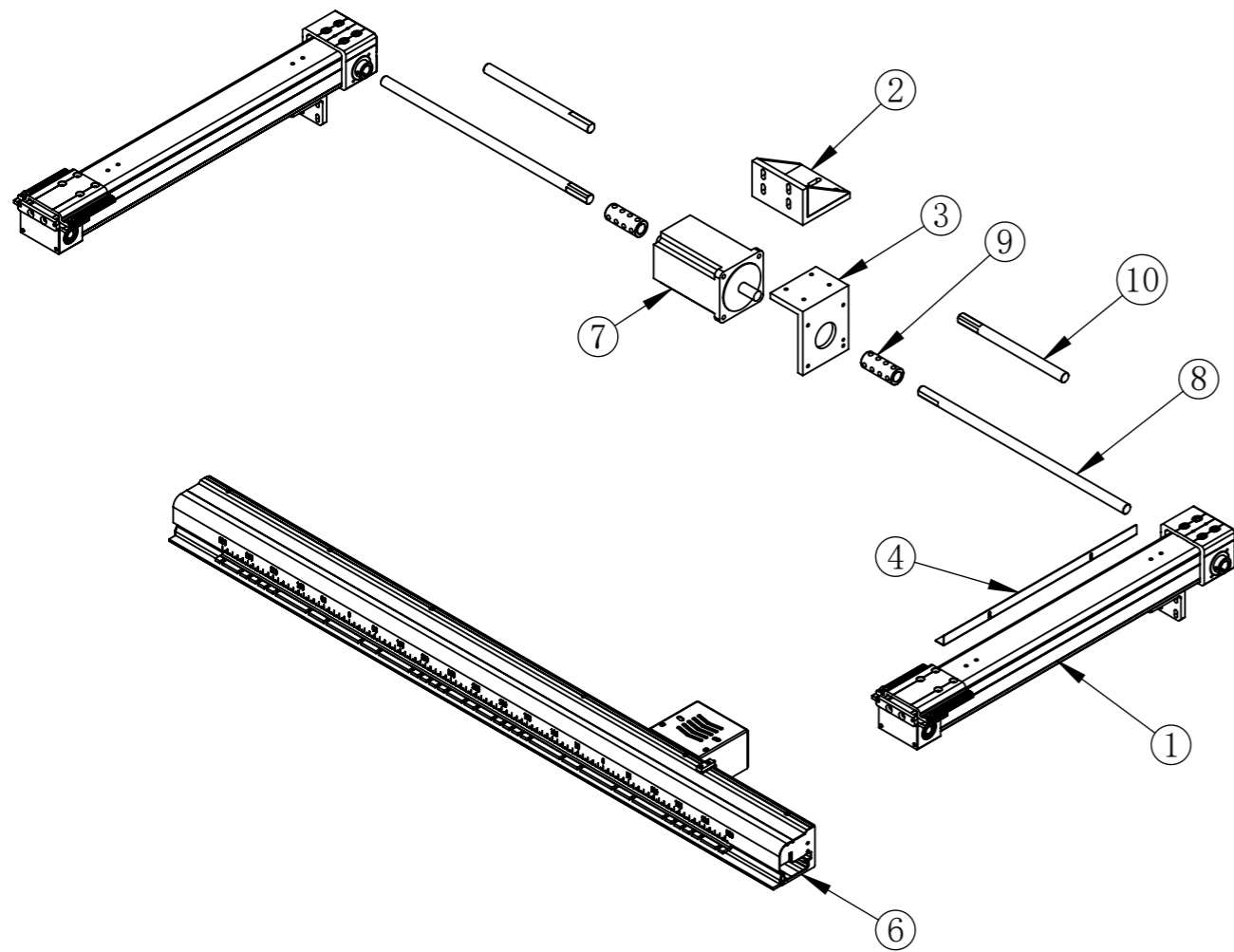
2 Trimming Parts 底线剪线



2 Trimming Parts 底线剪线

No.	Chinese Description	Description	Part No.	Qty
1	蜗齿梭床-Y400	Rotary Hook Base	109030001	
2	蜗齿梭箱-Y500	Rotary Hook Base	109030002	1
3	旋梭	Hook	211030001	1
4	弧形梭箱中盖板-轻轨Y400	Bed Mid Cover	109030007	
5	弧形梭箱中盖板-轻轨Y500	Bed Mid Cover	109030008	1
6	梭箱齿轮盖板	Back Cover	109030009	1
7	扣线电磁铁	Picker Solenoid	206120002	1
8	扣线电磁铁拉杆	Rod	103030027	1
9	扣线电磁铁复位板	Limit Plate	103030027	1
10	扣线电磁铁安装板	Installation Plate	103030028	1
11	扣线电磁铁盖板	Left Cover	103030026	1
12	针板座-帽机配弧	Needle Plate Base	103030036	1
13	定刀	Fixed Knife	103030018	1
14	动刀	Movable Knife	103030017	1
15	动刀轴	Movable Knife Drive Arm	103030015	1
16	动刀轴轴套	Collar	103030016	1
17	底线压片	Under Thread Presser	103030019	1
18	帽绣扣线叉组件	Picker Bracket Set	301020012	1
19	旋梭护罩-不锈钢(圆弧座)	Cover	103030024	1
20	弧形平针板	Needle Plate	103030034	1
21	旋梭定位钩	Rotary Position Hook	103030007	1
22	旋梭塑料护罩	Cover	103030025	1
23	1寸窄版合页	Hinge	103030039	1
24	圆强磁D5H4	Magnet	103030038	1
25	圆弧高针板	Needle Plate-High	103030037	1

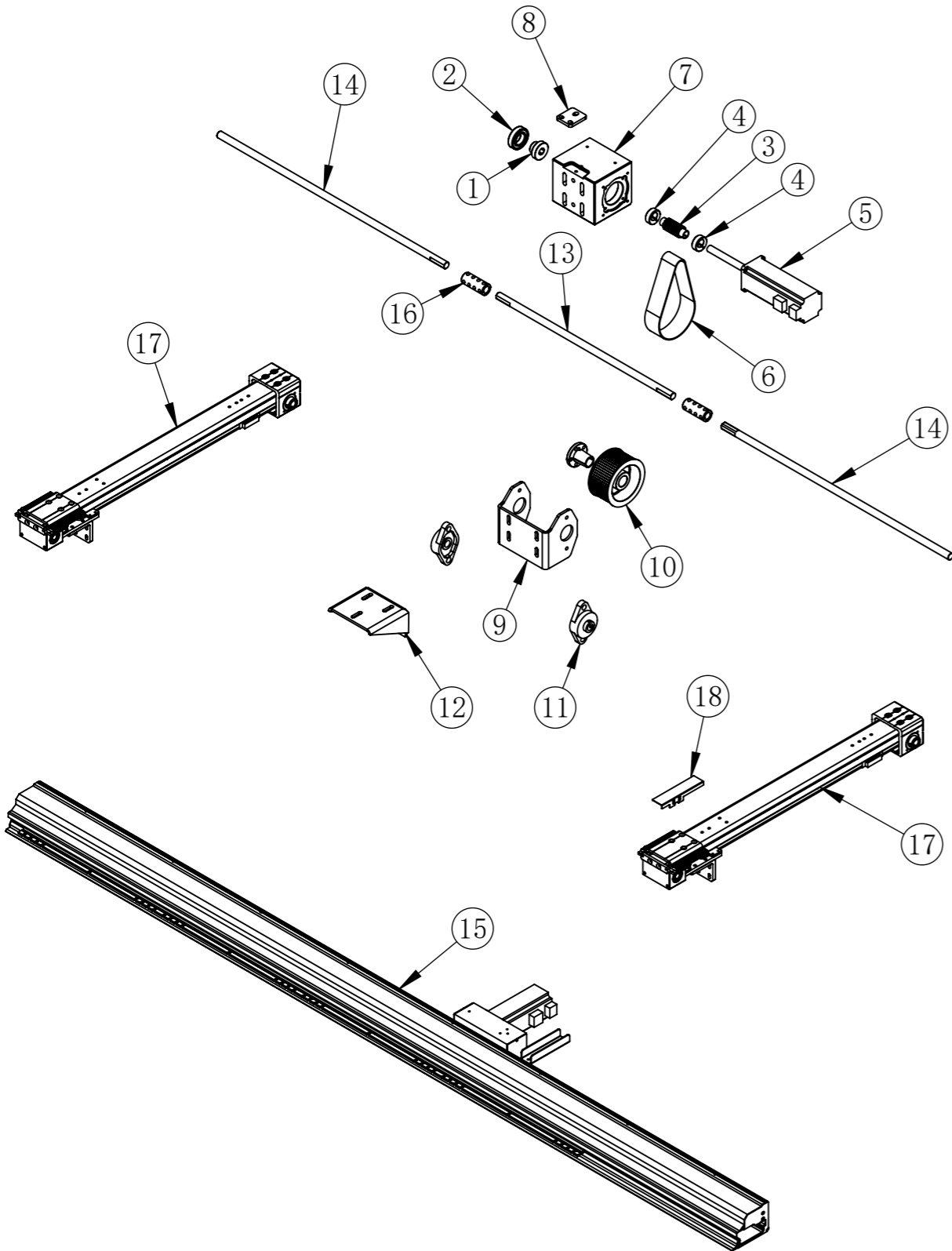
3 XY Drive System XY导轨驱动



3 XY Drive System XY导轨驱动

No.	Chinese Description	Description	Part No.	Qty
1	1#Y铝制导轨装配	Y Guide Rail Set	305080001	2
2	86Y电机座角尺	Motor Base Bracket	109180001	1
3	86Y电机座	Motor Base	109180002	1
4	接近感应角条 - Y向	Limit Buffer	109170004	1
5	X驱动80型L740装配-12#	X-axis Drive System	304060012	
6	X驱动80型L1190装配-13#	X-axis Drive System	304060013	1
7	轻轨Y电机	Step Motor	206060006	1
8	Y驱动轴d15-2T轻帽机	Y Shaft	109170009	2
9	联轴器 d15	Cushing d15	103180010	2
10	Y驱动轴d15-1T轻帽机	Y Shaft	109170008	2

3 XY Drive System XY导轨驱动

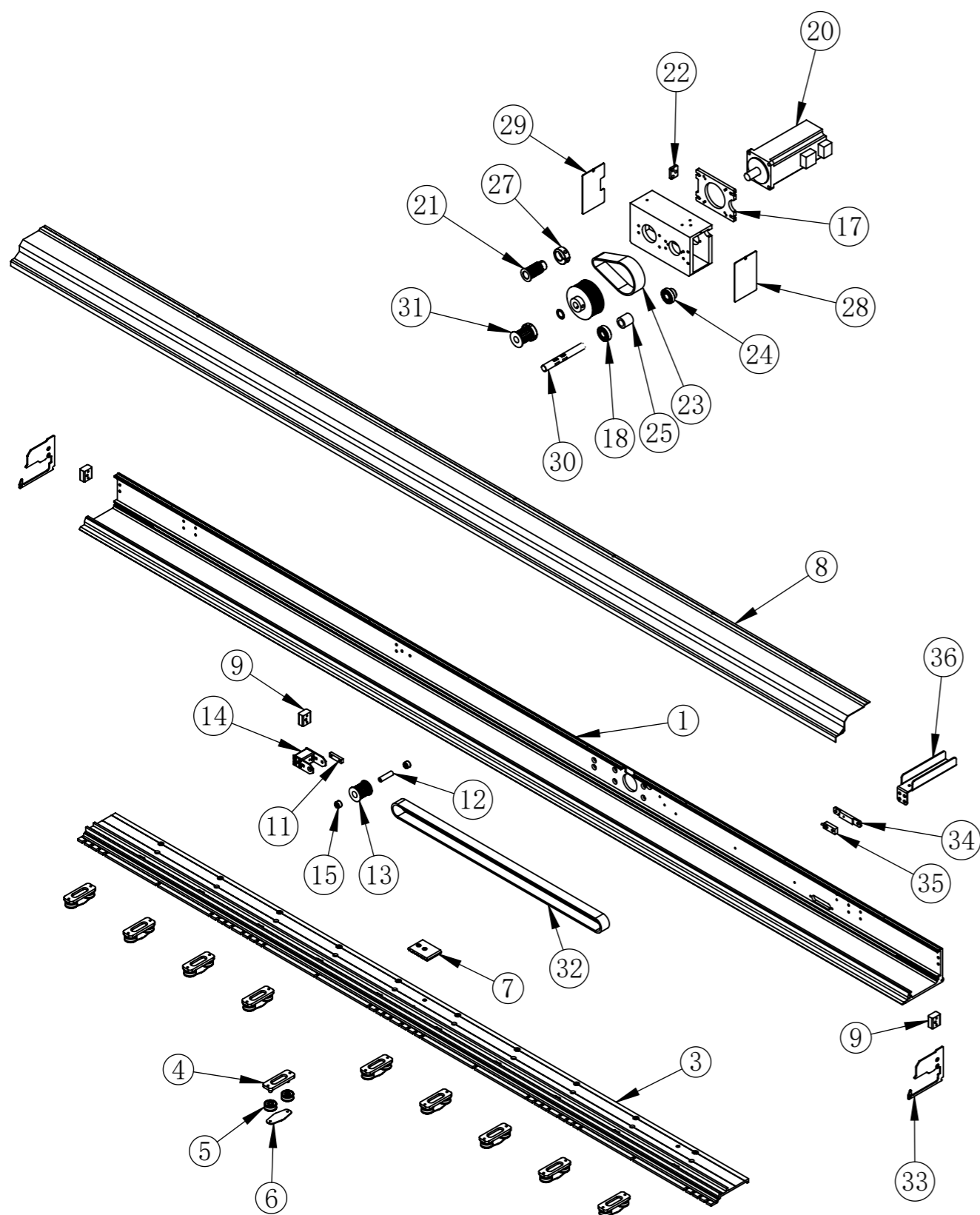


3 XY Drive System XY导轨驱动

No.	Chinese Description	Description	Part No.	Qty
1	轴承衬套D25-d14	Bearing Collar	109180003	1
2	轴承6005	Bearing	202010007	1
3	同步轮5M16TW42d14	Wheel	109180004	1
4	齿轮抱紧套d19	Retaining Ring	103180025	2
5	60伺服电机0.6kw	Motor	206080002	1
6	4头轻轨机Y电机皮带5M-445-40	Belt	204030038	1
7	Y60伺服电机座(铝)	Motor Base	109180006	1
8	Y向电机张紧调节块	Tension Plate	103180012	1
9	钣金减速箱(大轮)-轻轨机	Speed Reduction Box	109180007	1
10	减速箱同步轮P64-5M-50	Timing Pulley	103180007	1
11	万向轴承 UCFL202	UC Bearing 202	202110001	2
12	Y向电机支架-轻轨机	Y Motor Support	109180008	1
13	Y驱动轴d15-4T轻轨机(中)	Y Shaft	109170010	1
14	Y驱动轴d15-4T轻轨机(边)	Y Shaft	109170011	2
15	X驱动100型L2080装配	X-axis Drive System	304060029	1
16	联轴器 d15	Cushing d15	103180010	2
17	2#Y铝制导轨装配	Y Guide Rail Set	305080006	2
18	Y限位光耦片-老马头机	Y Sensor Plate	105160052	1
19	3头轻轨机Y电机皮带5M-350-40	Belt	204030037	
20	同步轮5M16TW42d15	Wheel	109180005	
21	减速箱同步轮5M32TW42d15	Wheel	103180013	
22	轴承衬套D25-d15	Bearing Collar	109180009	
23	轻轨Y电机(3头机)	Step Motor	206060007	

*No. 19-23为3头机配件

4 X-Axis Guide Rail X向导轨

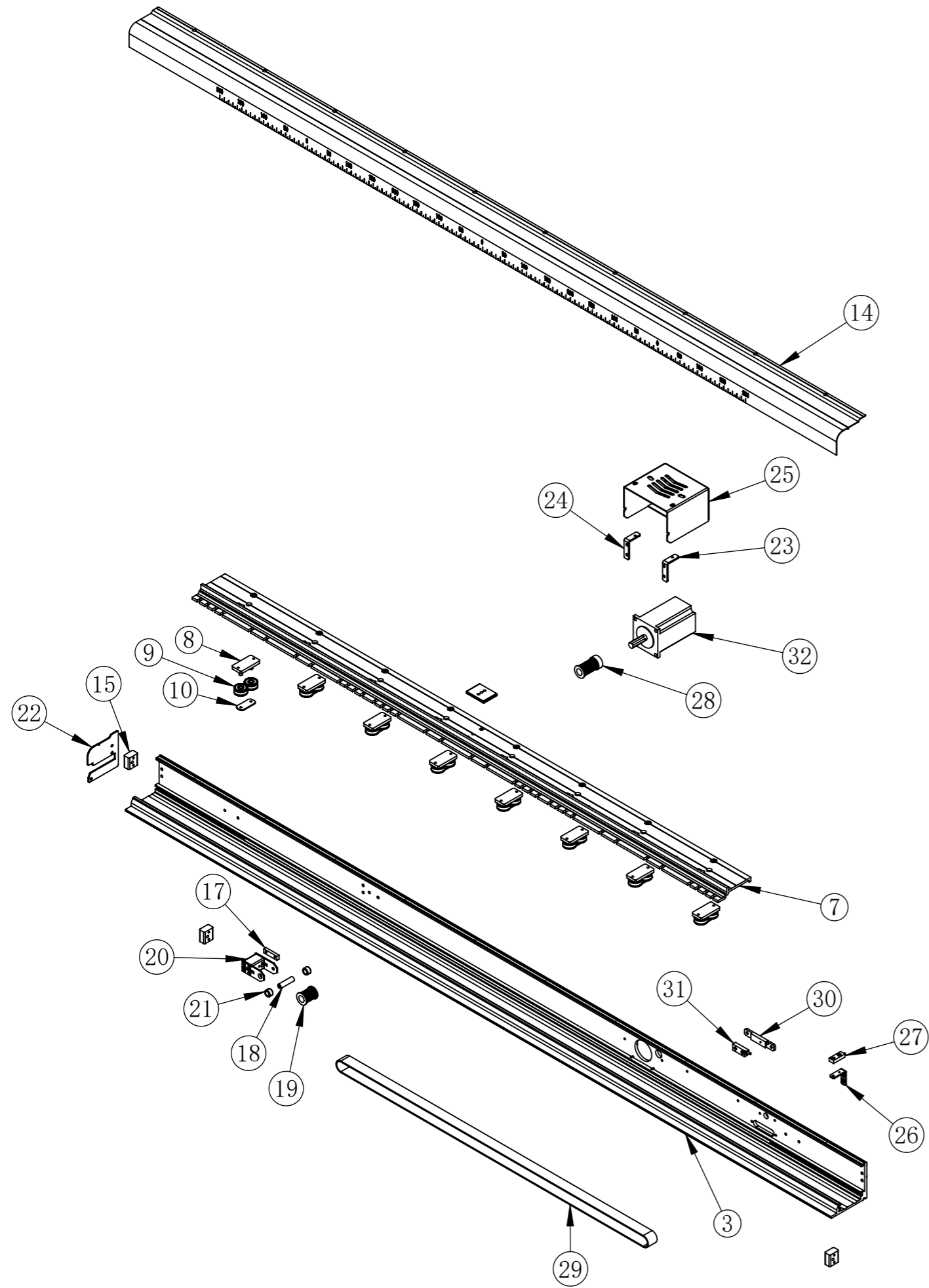


220808

4 X-Axis Guide Rail X向导轨

No.	Chinese Description	Description	Part No.	Qty
1	X驱动座29#-4头轻轨	X Frame	109150010	1
3	X驱动动板W95L1600-29#	X Drive Connecting Plate	109150011	1
4	双轴承座方块-轴距43	Bearing Block Base	105150099	10
5	U型轴承SG66	U Bearing SG66	202140001	20
6	2轴承衬板 -轴距43	Bearing Plate	105150100	10
7	X向皮带压板5MW35	Press Block Up	105150090	1
8	X驱动座罩盖L2084	Cover	109150012	1
9	X被动轮调节座	Side Cover Support	105150062	3
11	X被动轮调节滑块	Block	105150063	1
12	X被动轮轴4	Timing Pulley Shaft	105150059	1
13	X被动皮带轮(5M皮带W25)	Wheel	105150046	1
14	X被动轮张紧座4	Bracket Block	105150053	1
15	滚针轴承NK0808	Bearing 0808	202070002	2
16	X电机减速箱	Driver Pulley Box	105150105	1
17	电机板 - 60X减速箱用	Motor Plate	112150001	1
18	轴承6001 D28d12H8	Bearing 6001	202010001	1
19	带轮S3M66TW26- d12	Timing Pulley	112150002	1
20	60伺服电机0.4kw	Motor	206080001	1
21	X主动轮S3M22TW30 - d14	Timing Pulley	112150003	1
22	电机调节座	Adjust Plate	105150116	1
23	X减速箱皮带S3ML270W23	Belt	204030027	1
24	联体轴承6902 d12D28	Bearing	202150019	1
25	齿轮内衬尼龙挡套	Collar	105150115	1
27	齿轮抱紧套-d17配14	Collar	112150005	1
28	减速箱侧盖板	Box Side Cover	105150067	1
29	减速箱侧盖板 - 带缺口	Box Side Cover	105150068	1
30	减速箱带轮轴D12 - 马头框用	Pulley Shaft	105150113	1
31	主动轮5M 16T W25	Wheel	105150045	1
32	开口同步带5M-25	Belt	204010012	1
33	侧盖板-100宽X驱动座	Side Cover	112200001	2
34	马头横框接近感应器底座	Sensor Base	105150095	1
35	接近感应器	Limit Sensor	207030006	1
36	拖链下托架	Support Bracket	105090017	1

4 X-Axis Guide Rail X向导轨

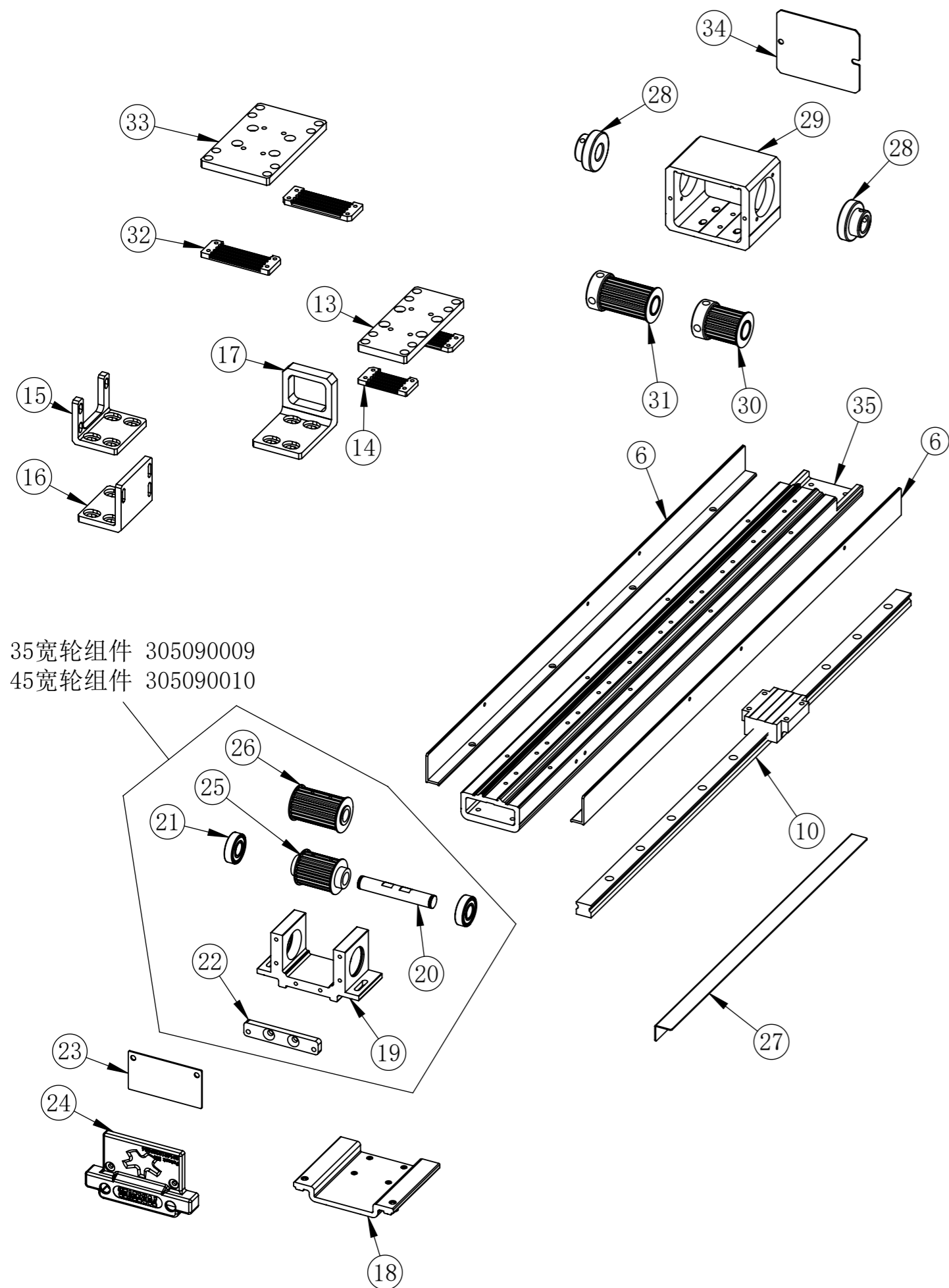


221014

4 X-Axis Guide Rail X向导轨

No.	Chinese Description	Description	Part No.	Qty
1	X驱动座12# - 轻轨1头	X Frame Base	109150001	
2	X驱动座13# - 轻轨2头	X Frame Base	109150004	
3	X驱动座7# - 轻轨3头	X Frame Base	109150007	1
5	X驱动动板 - 轻轨1头	X Drive Connecting Plate	109150002	
6	X驱动动板 - 轻轨2头	X Drive Connecting Plate	109150005	
7	X驱动动板 - 3头轻轨	X Drive Connecting Plate	109150008	1
8	双轴承座方块	Bearing Block Base	105150097	8
9	U型轴承SG66	U Bearing SG66	202140001	16
10	2轴承衬板	Bearing Plate	105150098	8
11	X向皮带压板	Press Block Up	105150091	1
12	X驱动座罩盖 - 轻轨1头	Cover	109150003	
13	X驱动座罩盖 - 轻轨2头	Cover	109150006	
14	X驱动座罩盖 - 轻轨3头	Cover	109150009	1
15	X被动轮调节座	Side Cover Support	105150062	3
17	X被动轮调节滑块	Adjust Block	105150063	1
18	X被动轮轴	Timing Pulley Shaft	105150057	1
19	X被动轮 (S3M皮带W20)	Timing Pulley	105150040	1
20	X被动轮张紧座2	Bracket Block	105150057	1
21	滚针轴承NK0808	Bearing NK0808	202070002	2
22	侧盖板-铁	Side Cover	105150073	2
23	X向电机罩壳左支架	Motor Cover Bracket-L	105150077	1
24	X向电机罩壳右支架	Motor Cover Bracket-R	105150078	1
25	马头X电机罩 - 加长铁	Motor Cover	105150065	1
26	接近感应器座	Limit Installation Support	109170003	1
27	接近感应器 SP08-D3NA	Limit Sensor	207030005	1
28	X主动皮带轮 (S3M皮带W30)	Timing Pulley	105150041	1
29	开口同步带S3MW20	Timing Belt	204010002	1
30	马头横框接近感应器底座	Sensor Base	105150095	1
31	接近感应器	Limit Sensor	207030006	1
32	轻轨X电机	Step Motor	206030003	1

5 Y Axis Guide Rail Y向导轨

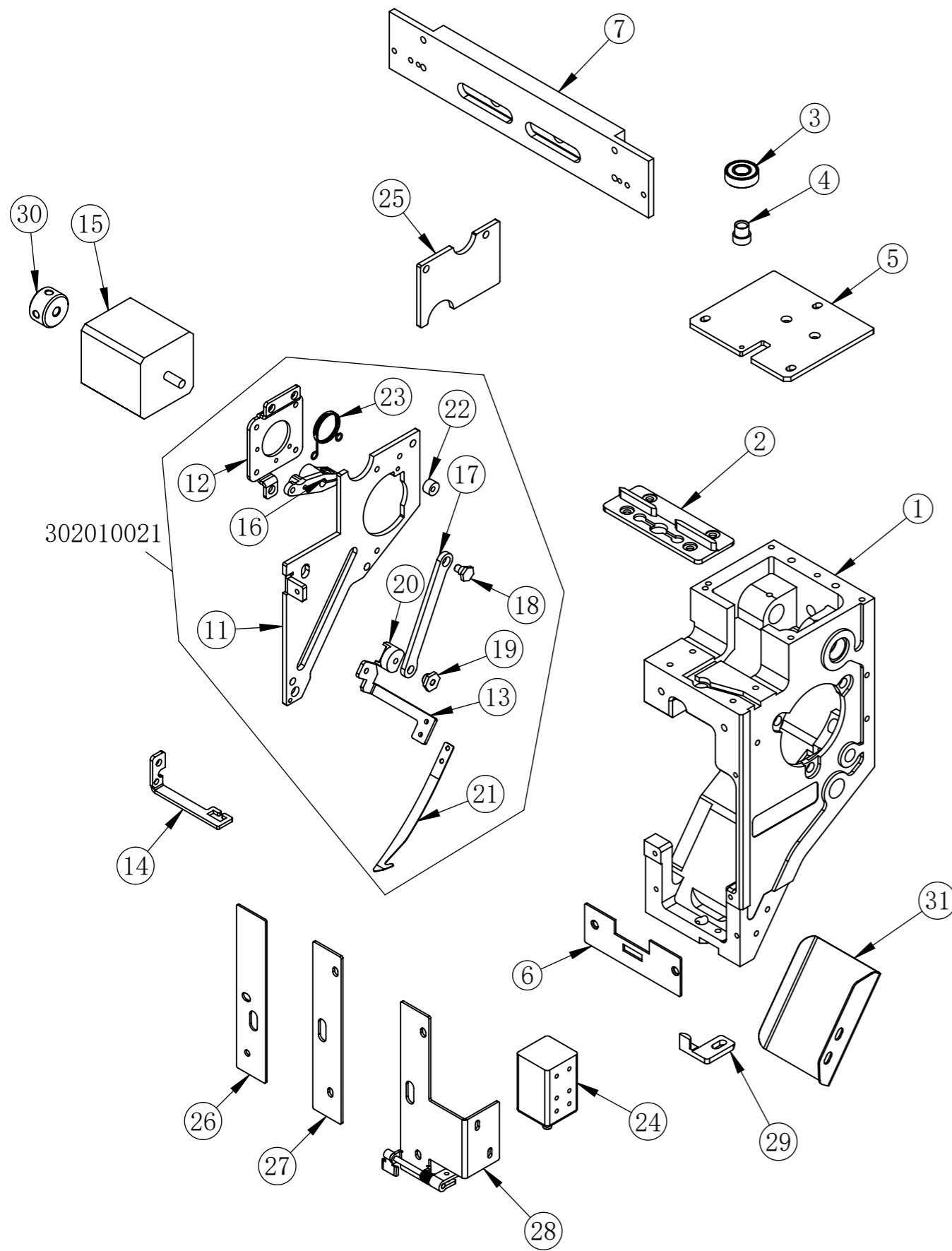


35宽轮组件 305090009
45宽轮组件 305090010

5 Y Axis Guide Rail Y向导轨

No.	Chinese Description	Description	Part No.	Qty
1	1#铝制导轨底座L565	Y Drive Base 1#	103150011	1
35	2#铝制导轨底座L665	Y Drive Base 2#	103150012	1
3	3#铝制导轨底座L635	Y Drive Base 3#	103150013	
4	4#铝制导轨底座L845	Y Drive Base 4#	103150014	
5	侧护板1#	Side Cover	103150015	
6	侧护板2#	Side Cover	103150016	2
7	侧护板3#	Side Cover	103150017	
8	侧护板4#	Side Cover	103150018	
9	直线导轨H15L520	Liner Way H15	203040001	
10	直线导轨H15L620	Liner Way H15	203040002	1
11	直线导轨H15L590	Liner Way H15	203040003	
12	直线导轨H15L800	Liner Way H15	203040004	
13	帽机Y导轨压板-W30	Y-axis Feed Plate	103170002	1
14	独立齿板 30带宽	Belt Plate	103170003	2
15	驱动联接角铁 (左)	Angle Joint Plate Left	103170004	1
16	驱动联接角铁 (右)	Angle Joint Plate Right	103170005	1
17	驱动联接角铁 (中)	Angle Joint Plate Mid	103170006	1
18	导轨被动轮支架底座	Holder Base	103170007	1
19	导轨被动轮支架	Holder:Tension Pulley	103170008	1
20	被动轮轴	Pulley Shaft D12	103170010	1
21	轴承6001 D28d12H8	Bearing 6001	202010001	2
22	调节板	Adjust Plate	103170011	1
23	被动轮支架端盖	Cover	103170014	1
24	被动轮前塑料端盖	Cover	103170019	1
25	被动轮5M20TW35	Pulley	103170009	1
26	被动轮S5M20TW47	Pulley S5MW47	103170021	1
27	接近感应角条 - Y向	Limit Buffer	109170004	1
28	联体轴承 S6904	Bearing	202150021	2
29	主动轮座 - 铝制整体	Bearing Base	103150010	1
30	主动动轮5M20TW32d15	Pulley	103170001	1
31	主动动轮5M20TW47d15	Pulley W47 d15	103170022	1
32	独立齿板 50带宽	Belt Plate	103170023	2
33	帽机Y导轨压板-W45	Y-axis Feed Plate	103170024	1
34	主动轮座盖板	Side Cover	103170016	1

6-1 Arm 1 机头1

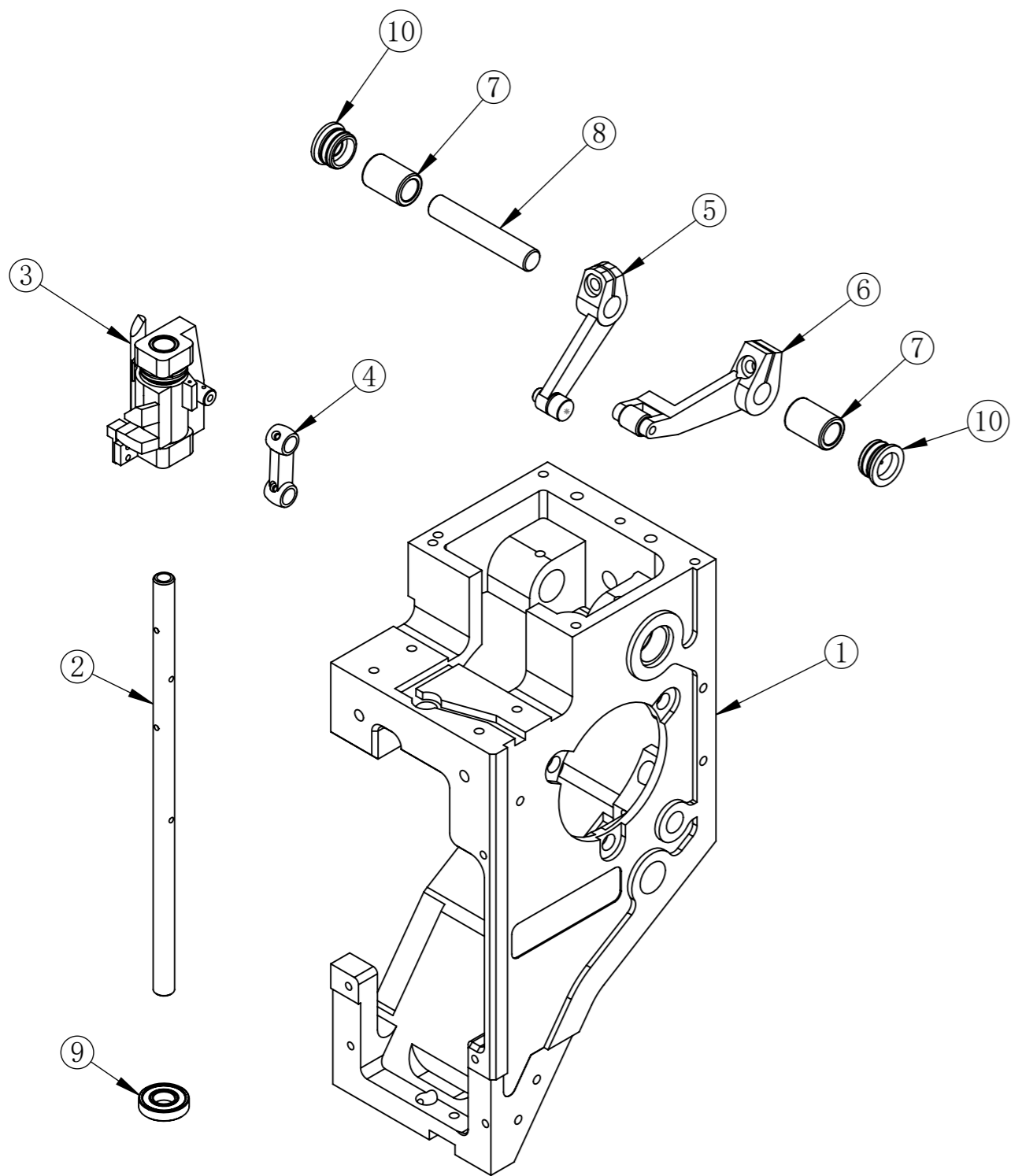


221021

6-1 Arm 1 机头1

No.	Chinese Description	Description	Part No.	Qty
1	机头壳47ST	Head	102010001	1
2	换色导条	Take-up Lever Guide Rail	102010007	1
3	轴承698	Bearing	202010016	1
4	自扣轴承销	Roller Pin	102010003	1
5	机头上盖板	Head Up Cover	102010002	1
6	机头前下导板	Plate	102010005	1
7	机头上导轨9针 不带夹板耳	Slide Rail 9N(Single)	203030005	
7	机头上导轨 9针	Slide Rail 9N	203030001	1
8	机头上导轨6针 不带夹板耳	Slide Rail 6N(Single)	203030008	
8	机头上导轨6针	Slide Rail 6N	203030004	
9	机头上导轨12针不带夹板耳	Slide Rail 12N(Single)	203030006	
9	机头上导轨 12针	Slide Rail 12N	203030002	
10	机头上导轨15针不带夹板耳	Slide Rail 15N(Single)	203030007	
10	机头上导轨 15针	Slide Rail 15N	203030003	
11	电机勾线板	Side Cover	102010009	1
12	勾线电机座	Base: Hook Motor	102040001	1
13	电机勾线勾刀连杆	Hook Support	102040002	1
14	电机勾线勾刀导向板	Guide:Hook	102040003	1
15	47机头勾线电机	Motor	206010005	1
16	电机勾线驱动连杆	Driver Lever:Hook	102040004	1
17	电机勾线中间连杆	Connecting Plate : Hook	102040005	1
18	连杆轴螺丝	Stepped Screw	102040006	1
19	连杆轴圈	Spacer	102040007	1
20	尼龙滑块	Slide	102040008	1
21	弧形勾刀	Hook	102040009	1
22	橡胶缓冲套	Damper Ring	102090013	1
23	勾线扭簧-高速机	Spring	102040015	1
24	面线夹电磁铁 (大)	Solenoid	206150002	1
25	机头上侧板	Side Cover	102010008	1
26	机头前盖L	Head Front Cover	102050001	1
27	机头前盖R	Head Front R	102010004	1
28	锁线装置组件 (右置大)	Open Frame Driven Set	302010046	1
29	高速针杆架定位勾	Needle Bar Case	102010006	1
30	电机手动旋钮	Handle	105040001	1
31	勾线器后挡板	Back Side Cover	102040012	1

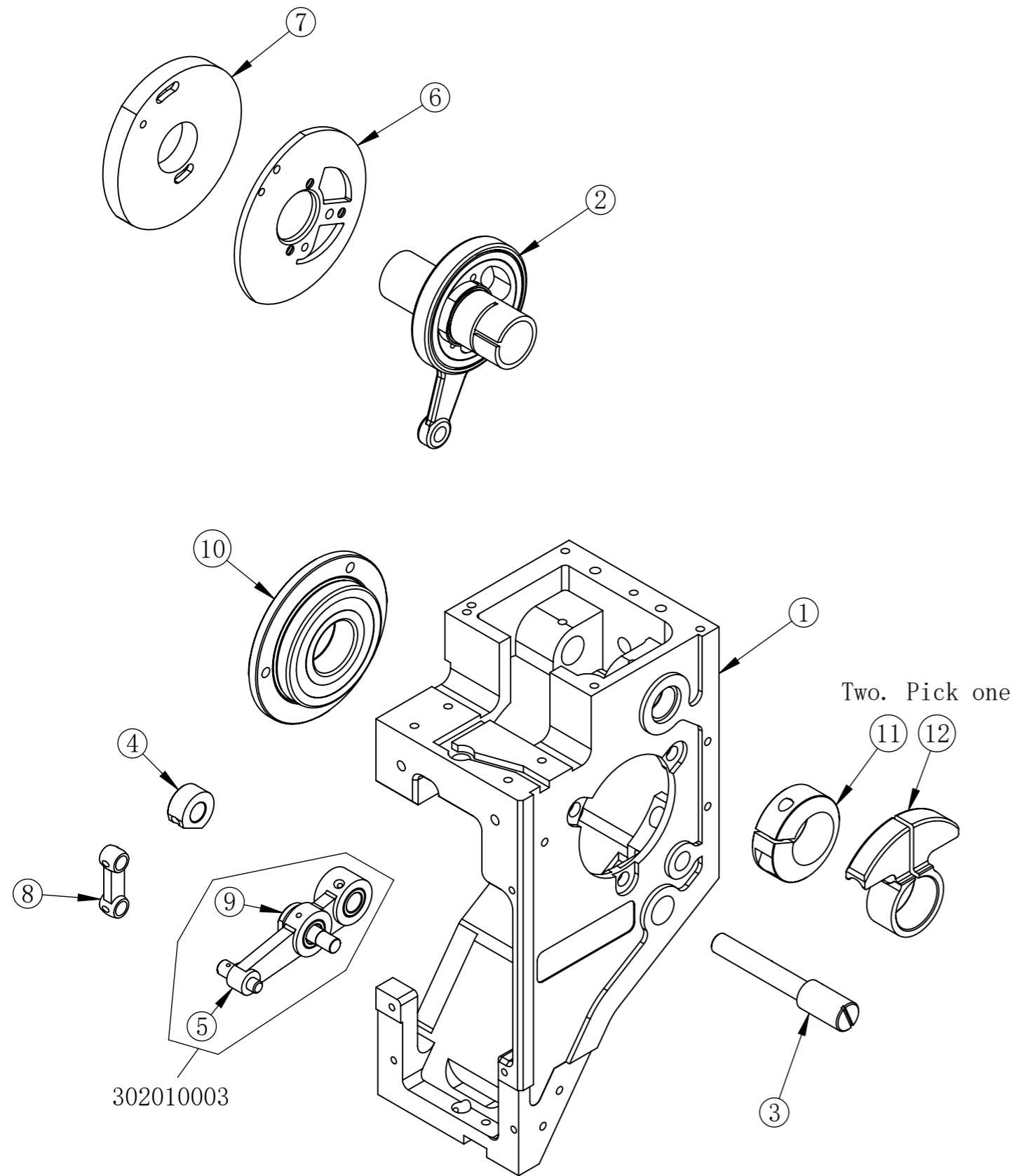
6-2 Arm 2 机头2



6-2 Arm 2 机头2

No.	Chinese Description	Description	Part No.	Qty
1	机头壳47ST	Head	102010001	1
2	针杆驱动轴	Needle Bar Drive Shaft	105010027	1
3	针杆驱动器组件-47机头	Needle Bar Rectiparocator Set	302010007	1
4	针杆驱动连杆(小连杆)	Connecting Rod	102010035	1
5	挑线杆A组件	Take Up Lever A Set	302010005	1
6	挑线杆B组件	Take Up Lever B Set	302010006	1
7	挑线杆轴衬套	Bearing Case Bushing	102010023	2
8	挑线杆轴	Straight Pin	102010018	1
9	下导轨轴承	Bearing	202010004	1
10	挑线轴塑料堵头	Cover	102010022	2

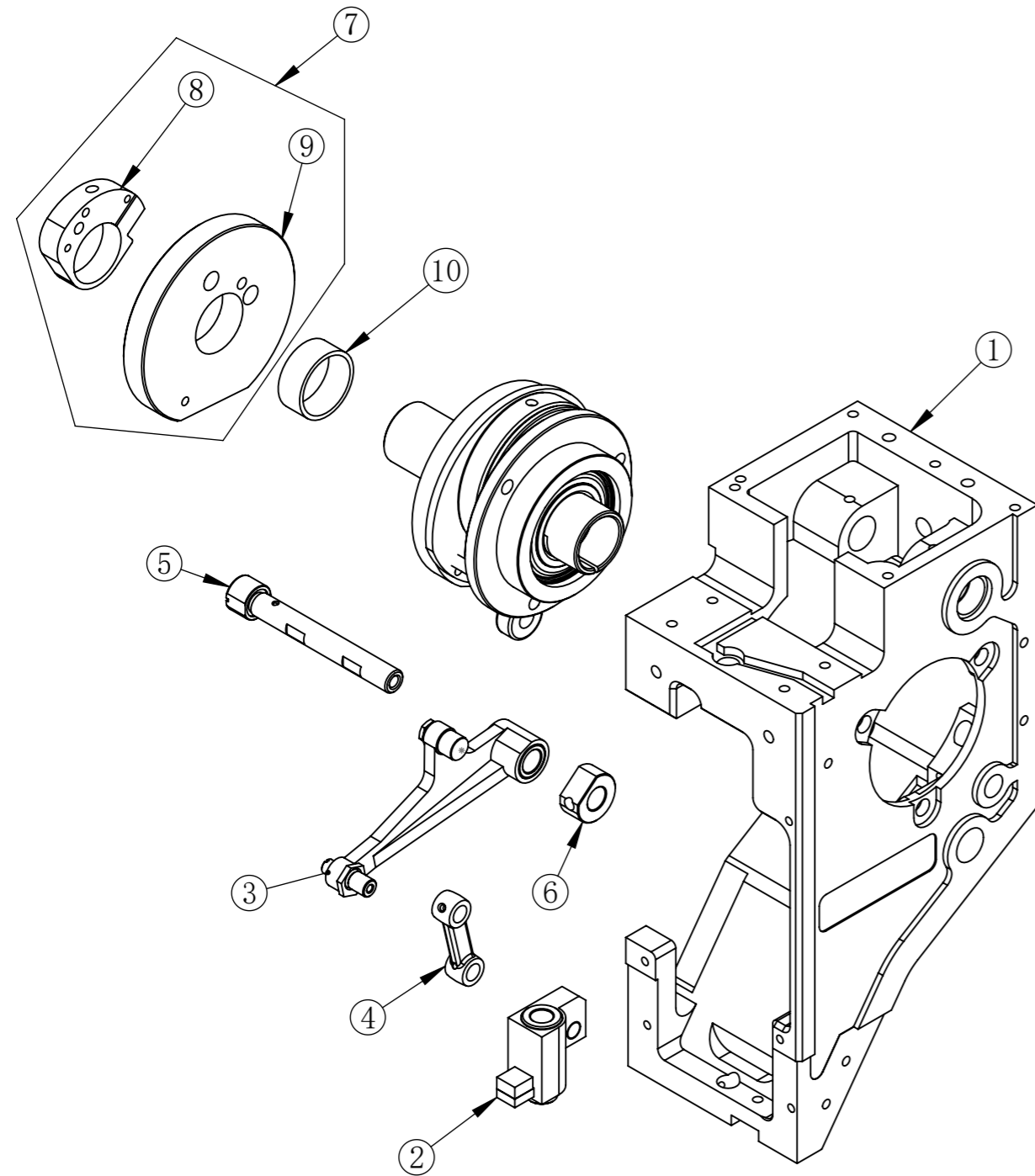
6-3 Arm 3 机头3



6-3 Arm 3 机头3

No.	Chinese Description	Description	Part No.	Qty
1	机头壳47ST	Head	102010001	1
2	TLB加长凸轮连杆轴承	BOM Cam Set	302010002	1
3	三眼连杆定位轴	Stepper Pin	102010030	1
4	定位挡圈M5	Stopper Collar	102010032	1
5	三眼连杆组件	Lever Needle Bar Set	302010003	1
6	凸轮盖板 (配BOM)	CAM BASE	102010027	1
7	挑线凸轮	Cam:Take-Up Lever	102010028	1
8	针杆驱动连杆(小连杆)	Connecting Rod	102010035	1
9	1号销	Stepped Screw	102010033	0
10	F70/22法兰联体轴承	Bearing Case Set	302010001	1
11	偏心夹头	Tightening Collar	102010024	1
12	轴径18锁紧套 - 带平衡	Tightening Collar	102010051	1

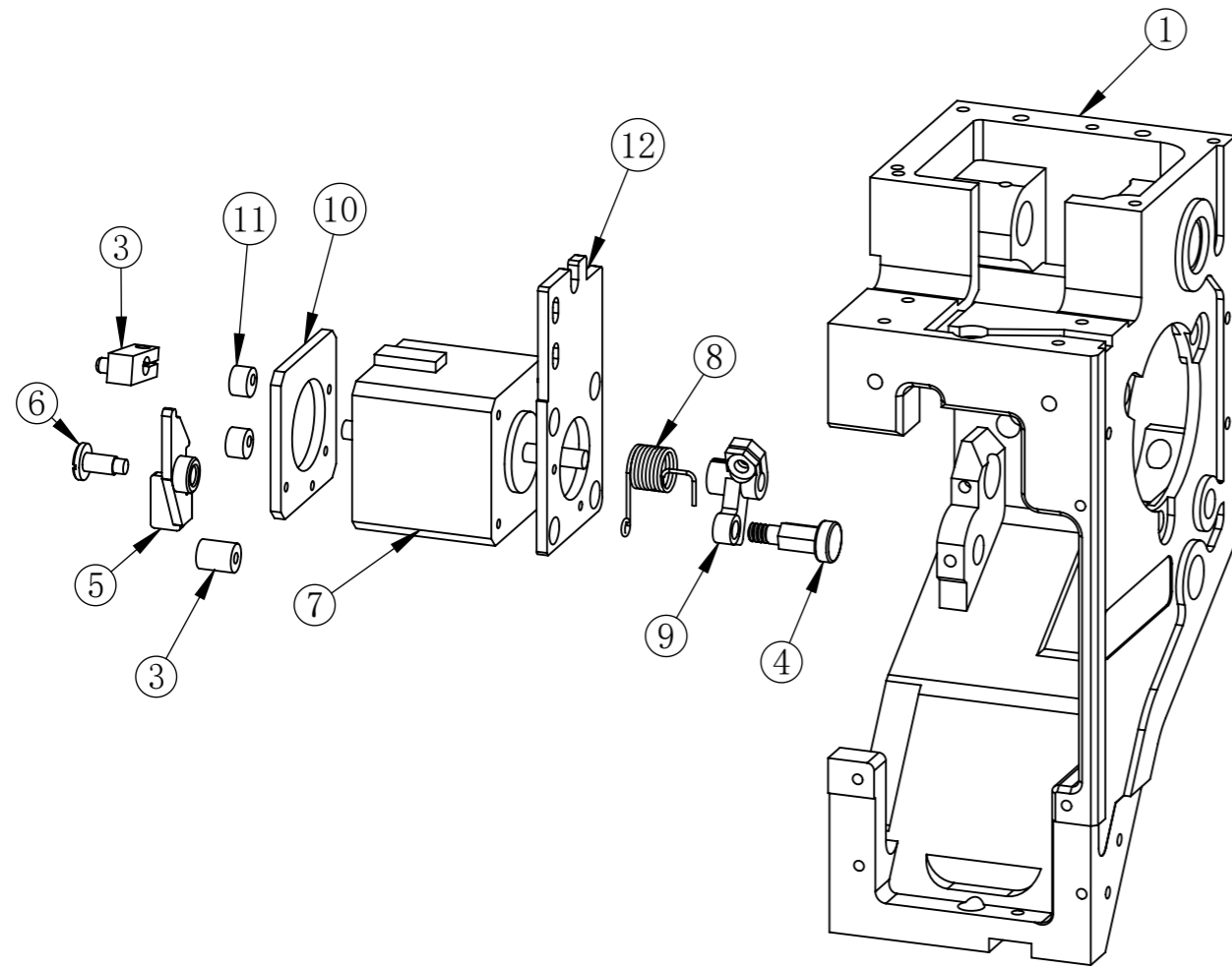
6-4 Arm 4 机头4



6-4 Arm 4 机头4

No.	Chinese Description	Description	Part No.	Qty
1	机头壳47ST	Head	102010001	1
2	压脚驱动器组件	PRESSER FOOT DRIVER SLIDE BOLCK	302010009	1
3	压脚连杆组件	Connecting Rod	302010010	1
4	压脚小连杆-孔距24.5	Connecting Rod	102010044	1
5	压脚连杆定位轴	Presser Foot Fixing Pin	102010043	1
6	定位挡圈M5	Stopper Collar	102010032	1
7	47压脚凸轮铝圈组件	Cam Set	302010004	1
8	压脚凸轮固定座	Base:Cam	102010040	
9	压脚凸轮	Cam	102010041	
10	凸轮隔圈	Collar	102010042	1

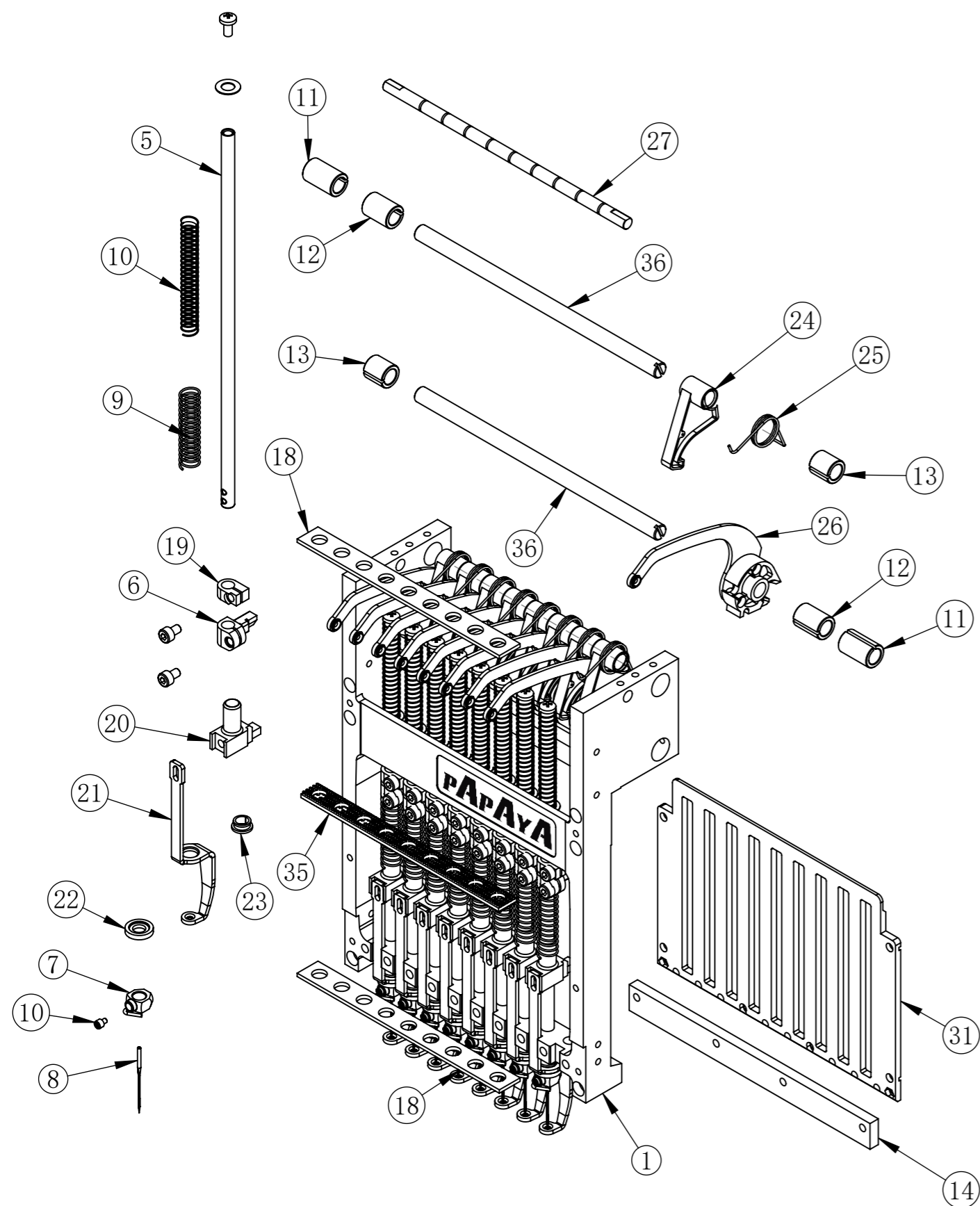
6-5 Jump Motor 跳跃电机



6-5 Jump Motor 跳跃电机

No.	Chinese Description	Description	Part No.	Qty
1	机头壳47ST	Head	102010001	1
3	止动销	Stop Pin	102090005	1
3	控制柄	Lever For Jump Motor	102090006	1
4	驱动连杆轴承	Jump Bearing	102090007	1
5	手动柄	Clutch Lever	102090008	1
6	手动销	Stepped Screw	102090009	1
7	47机头跳跃电机	Jump Motor	206010002	1
8	跳跃回位弹簧	Torsion Spring	102090010	1
9	跳跃驱动连杆	Lever Jump	102090011	1
10	限位安装侧板	Rear Board	102090012	1
11	橡胶缓冲套	Damper Ring	102090013	2
12	跳跃电机安装板	Jump Motor Bracker	102090004	1

7-1 Needle Bar Case 1 针架1



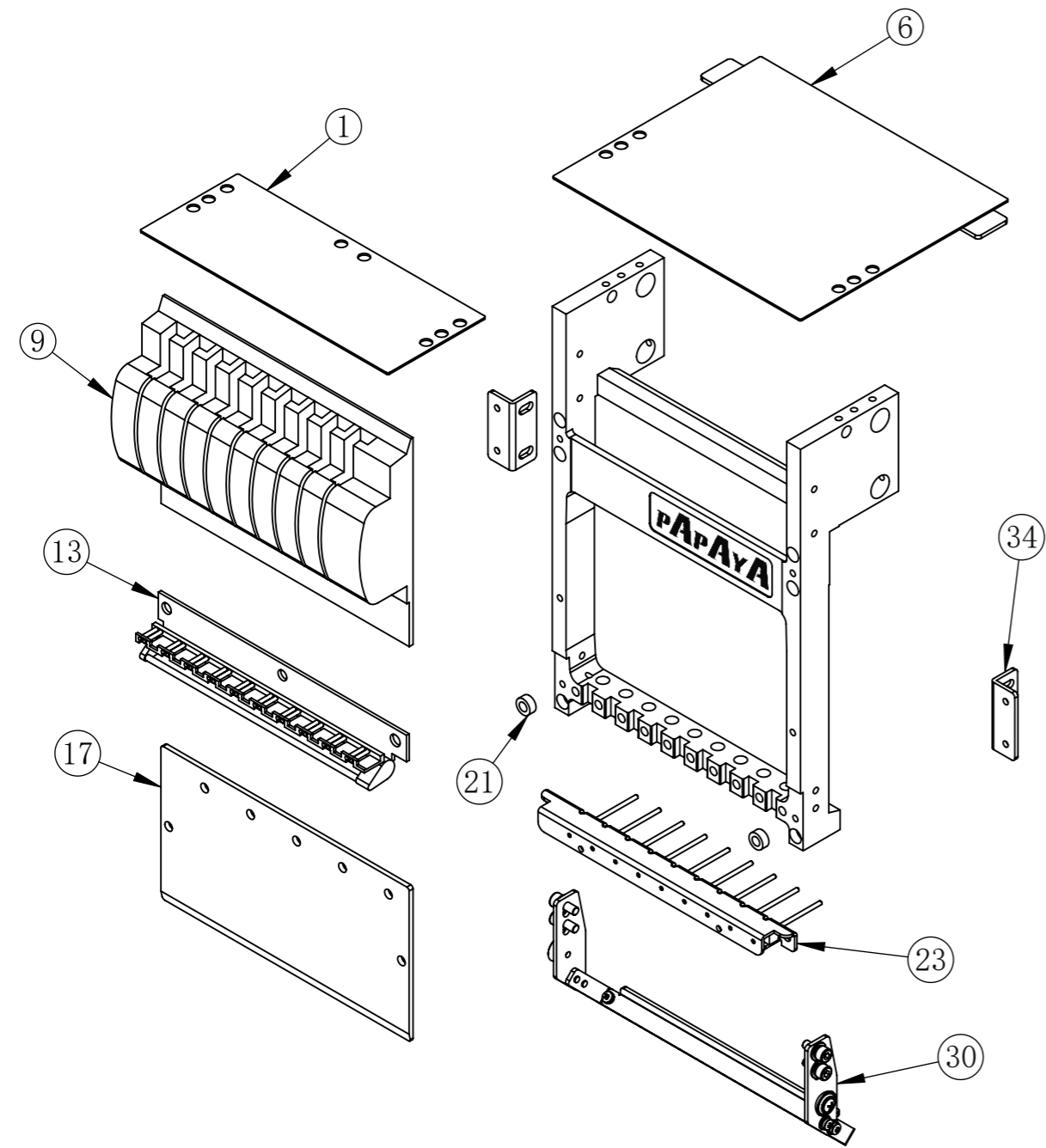
220808

7-1 Needle Bar Case 1 针架1

No.	Chinese Description	Description	Part No.	Qty
1	针杆架 9针	Needle Bar Case 9N	102020001	1
2	针杆架 6针	Needle Bar Case 6N	102020002	
3	针杆架 12针	Needle Bar Case 12N	102020003	
4	针杆架 15针	Needle Bar Case 15N	102020004	
5	针杆L217	Needle Bar	105020005	9
6	下死点	Needle Bar Connecting Stu	102020009	9
7	针夹 (连螺钉)	Needle Clamp	102020016	9
8	机针-11#	Needle	211090005	9
9	压脚弹簧	Compression Sprin	102020010	9
10	针杆上弹簧	Upper Spring	102020005	9
11	开口轴衬L19	Split Collar	102020019	2
12	开口轴衬L16	Split Collar	102020022	2
13	开口轴衬L12	Split Collar	102020017	2
14	下导轨条 9N	Needle Bar Lower Guide Rail	203030021	1
15	下导轨条 6N	Needle Bar Lower Guide Rail 6N	203030024	
16	下导轨条 12N	Needle Bar Lower Guide Rail 12N	203030022	
17	下导轨条 15N	Needle Bar Lower Guide Rail 15N	203030023	
18	下毛毡垫 9N	Felt Packing	102020015	2
19	上死点	Stopper Upper Poin	102020008	9
20	压脚调节套	Presser Foot Set Clamp	102020013	18
21	压脚-56	Presser Foot	102020014	9
22	压脚下弹圈	Washer	102020057	9
23	压脚中塑料套	Presser Foot Bushing	102020012	9
24	自扣	Lever Stopper	102020032	9
25	自扣弹簧	Torsion Spring	102020033	9
26	挑线杆片	Take-Up Lever	105010033	9
27	弹簧挡杆 9N	Spring Hook Bar	102020029	1
28	弹簧挡杆 6N	Spring Hook Bar 6N	102020036	
29	弹簧挡杆 12N	Spring Hook Bar 12N	102020037	
30	弹簧挡杆 15N	Spring Hook Bar 15N	102020038	
31	针杆导板 9针	Needle Bar Guide 9N	102020023	1
32	针杆导板 6针	Needle Bar Guide 6N	102020024	
33	针杆导板 12针	Needle Bar Guide 12N	105020008	
34	针杆导板 15针	Needle Bar Guide 15N	105020009	
35	麻垫	Damper Ring	102020007	1
36	挑线杆导向轴 9N	Guide Shaft	102020018	2
37	挑线杆导向轴 6N	Guide Shaft 6N	102020034	
38	挑线杆导向轴 12N	Guide Shaft 12N	102020035	
39	挑线杆导向轴 15N	Guide Shaft 15N	102020040	

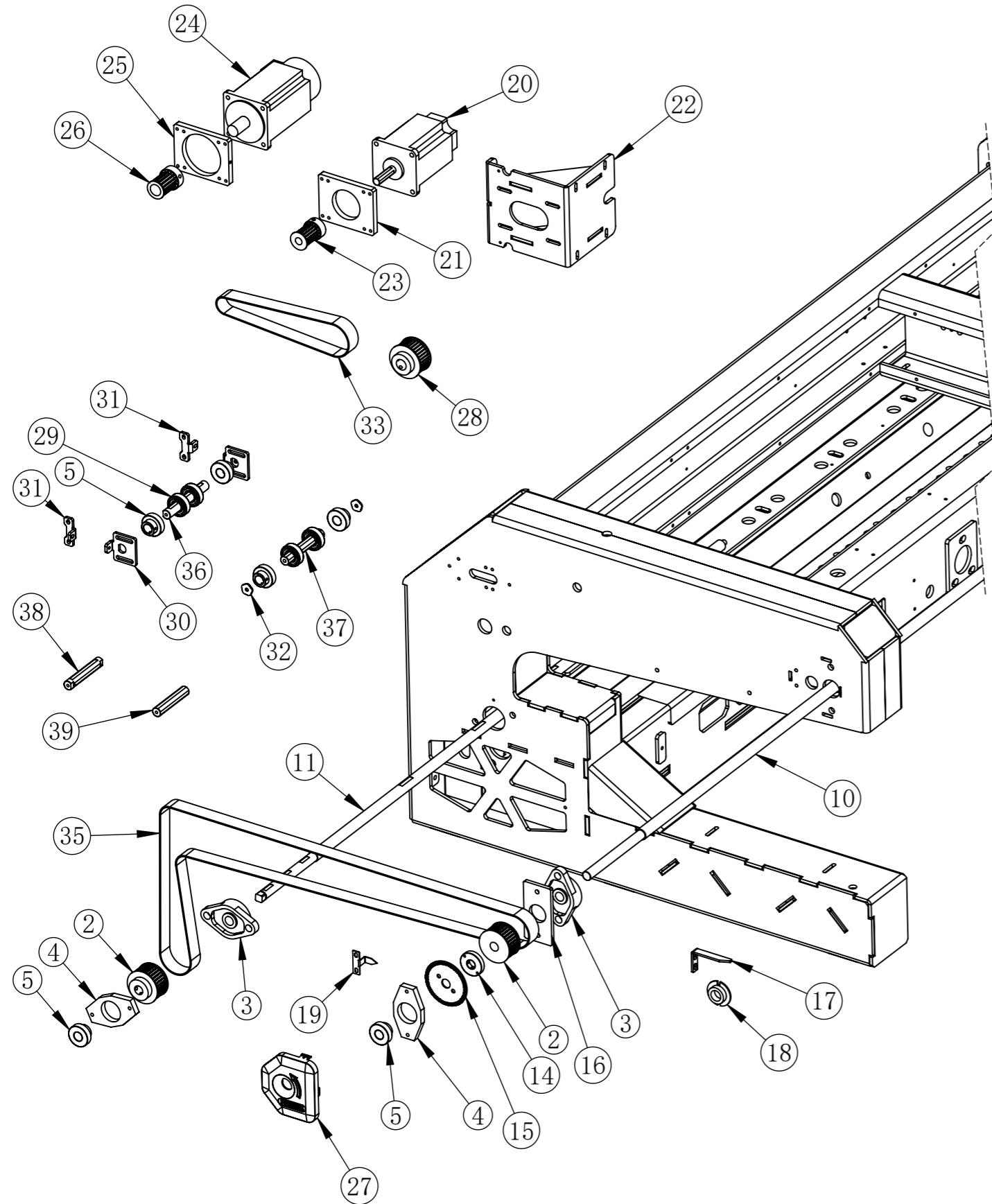
7-2 Needle Bar Case 2 针架2

7-2 Needle Bar Case 2 针架2



No.	Chinese Description	Description	Part No.	Qty
1	针架上隔板 9N	Top Cover 9N	102020053	1
2	针架上隔板 6N	Top Cover 6N	102020054	
4	针架上隔板 12N	Top Cover 12N	102020055	
5	针架上隔板 15N	Top Cover 15N	102020056	
6	针架上隔板(宽) 9N	Top Cover	102020063	1
7	针架上隔板(宽) 12N	Top Cover W12N	102020062	
8	针架上隔板(宽) 15N	Top Cover W15N	102020061	
9	针架上面板 9N	Take-Up Lever Cover 9N	102020044	1
10	针架上面板 6N	Take-Up Lever Cover 6N	102020045	
11	针架上面板 12N	Take-Up Lever Cover 12N	102020046	
12	针架上面板 15N	Take-Up Lever Cover 15N	102020047	
13	中过线组件 9N带簧式	Middle Thread Guide 9N	302010031	1
14	中过线组件 6N带簧式	Middle Thread Guide 6N	302010034	
15	中过线组件 12N带簧式	Middle Thread Guide 12N	302010032	
16	中过线组件 15N带簧式	Middle Thread Guide 15N	302010033	
17	针架下面板 9N	Under Cover 9N	102020048	1
18	针架下面板 6N	Under Cover 6N	102020049	
19	针架下面板 12N	Under Cover 12N	102020050	
20	针架下面板 15N	Under Cover 15N	102020051	
21	垫圈D9d5H4	Washer		2
22	面线架组件 9针 左置	Thread Lock 9N Left	302010051	
23	面线夹持组件 9针 右置	Thread Lock 9N Right	302010052	1
24	面线夹持组件 6针 左置	Thread Lock 6N Left	302010049	
25	面线夹持组件 6针 右置	Thread Lock 6N Right	302010050	
26	面线夹持组件 12针 左置	Thread Lock 12N Left	302010053	
27	面线夹持组件 12针 右置	Thread Lock 12N Right	302010054	
28	面线夹持组件 15针 左置	Thread Lock 15N Left	302010055	
29	面线夹持组件 15针 右置	Thread Lock 15N Right	302010056	
30	下毛刷组件 9N	Thread Holder 9N	302010041	1
31	下毛刷组件 6N	Thread Holder 6N	302010044	
32	下毛刷组件 12N	Thread Holder 12N	302010042	
33	下毛刷组件 15N	Thread Holder 15N	302010043	
34	七字板支架	Cover Bracket	103260033	2

8 Gear Box 齿轮箱

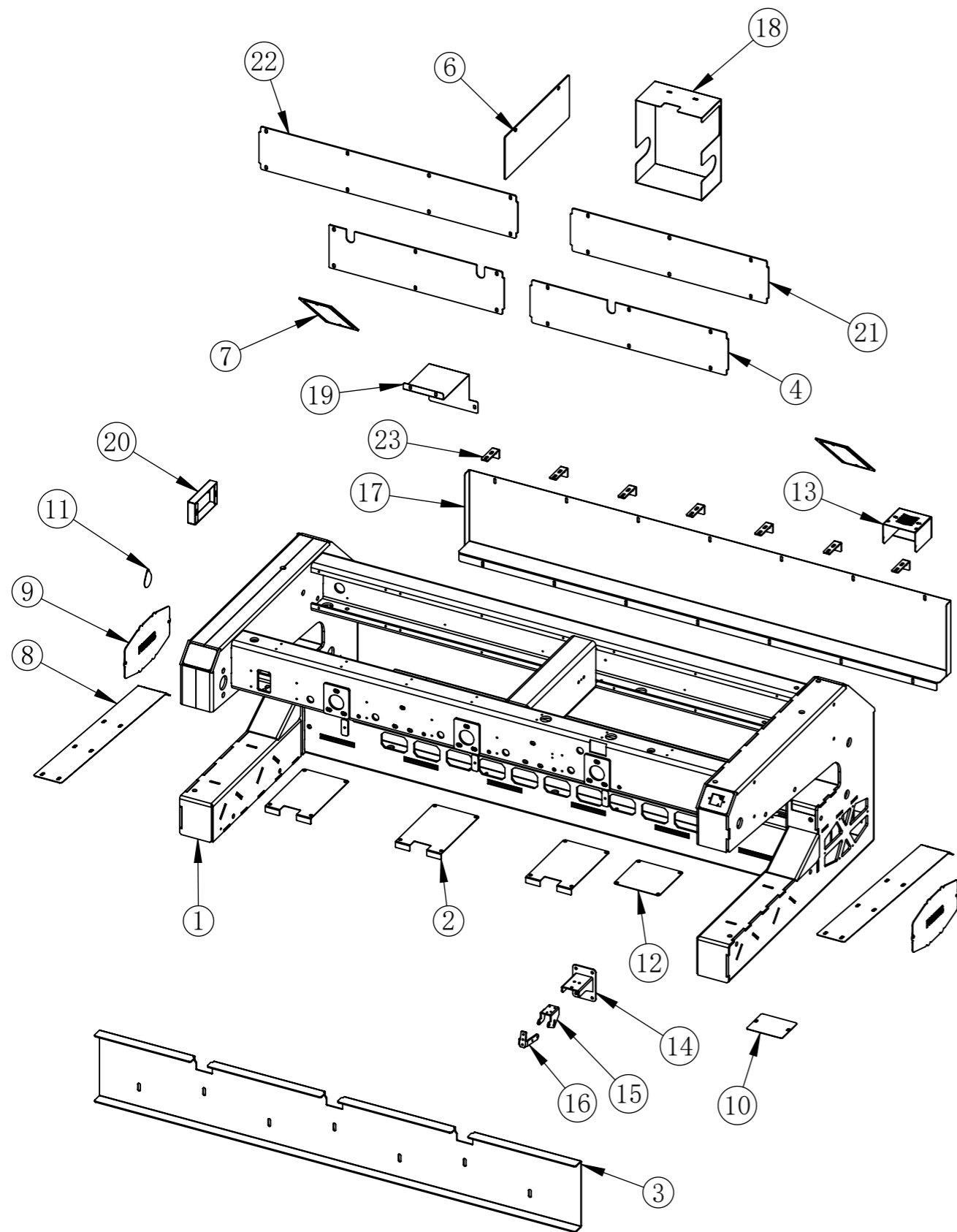


221014

8 Gear Box 齿轮箱

No.	Chinese Description	Description	Part No.	Qty
1	机架 (上架)	Frame	109110003	1
2	皮带轮5M34TW25d15	Timing Pulley	106250005	2
3	万向轴承 UCFL202	UC Bearing 202	202110001	2
4	6003轴承板	Bearing Support Plate	109250003	2
5	联体轴承6003d15	Bearing 6003	202150003	6
6	1头机上轴	Top Shaft	109250005	
7	1头机下轴	Bottom Shaft	109250006	
8	2头机上轴	Top Shaft	109250007	
9	2头机下轴	Bottom Shaft	109250008	
10	3头机上轴	Top Shaft	109250001	1
11	3头机下轴	Bottom Shaft	109250002	1
12	4头机上轴	Top Shaft	109250020	
13	4头机下轴	Bottom Shaft	109250021	
14	刻度盘座d15	Angle Indicator Base	109250022	1
15	刻度盘D75d15	Angle Indicator	109250004	1
16	轴承联结板 (小)	Bearing Connecting Plate	103250011	1
17	马头零位光耦支架	Disk Bracket	105010055	1
18	零位感应轮-d18	ZERO Postion Disk	103250013	1
19	轻轨机刻度盘指针	Pointer	109250009	1
20	轻轨主电机-80直流无刷	Main Motor	206070011	1
21	80主电机法兰板	Motor Flange Plate	109250010	1
22	主电机支架	Main Motor Bracket	109250012	1
23	主电机皮带轮 5M17TW35d12	Pulley	106250001	1
24	轻轨泰智4头主电机	Motor	206080003	1
25	80主电机法兰板 - 伺服电机	Motor Flange Plate	109250011	1
26	主电机皮带轮5M17TW35d19	Timing Pulley	103250010	1
27	齿轮箱上外侧塑料罩盖	Plastic Side Cover	109260014	1
28	主轴皮带轮5M34TW25d18	Timing Pulley	112250007	1
29	轴承6202	Bearing	202010020	4
30	动轴张紧轮固定座A	Fix Plate A	109250017	2
31	动轴张紧轮固定座B	Fix Plate B	109250018	2
32	张紧轮挡片	Washer	109250019	4
33	轻轨机主电机皮带5ML530W25	Belt	204030032	1
34	2头轻轨机主皮带	Belt	204030014	
35	4头轻轨机主皮带	Belt	204030016	1
36	张紧轮轴 - 100墙板动轴	Moving Shaft	109250013	1
37	张紧轮轴 - 100墙板定轴	Shaft	109250014	1
38	张紧轮轴 - 80墙板动轴	Moving Shaft	109250015	1
39	张紧轮轴 - 80墙板定轴	Shaft	109250016	1

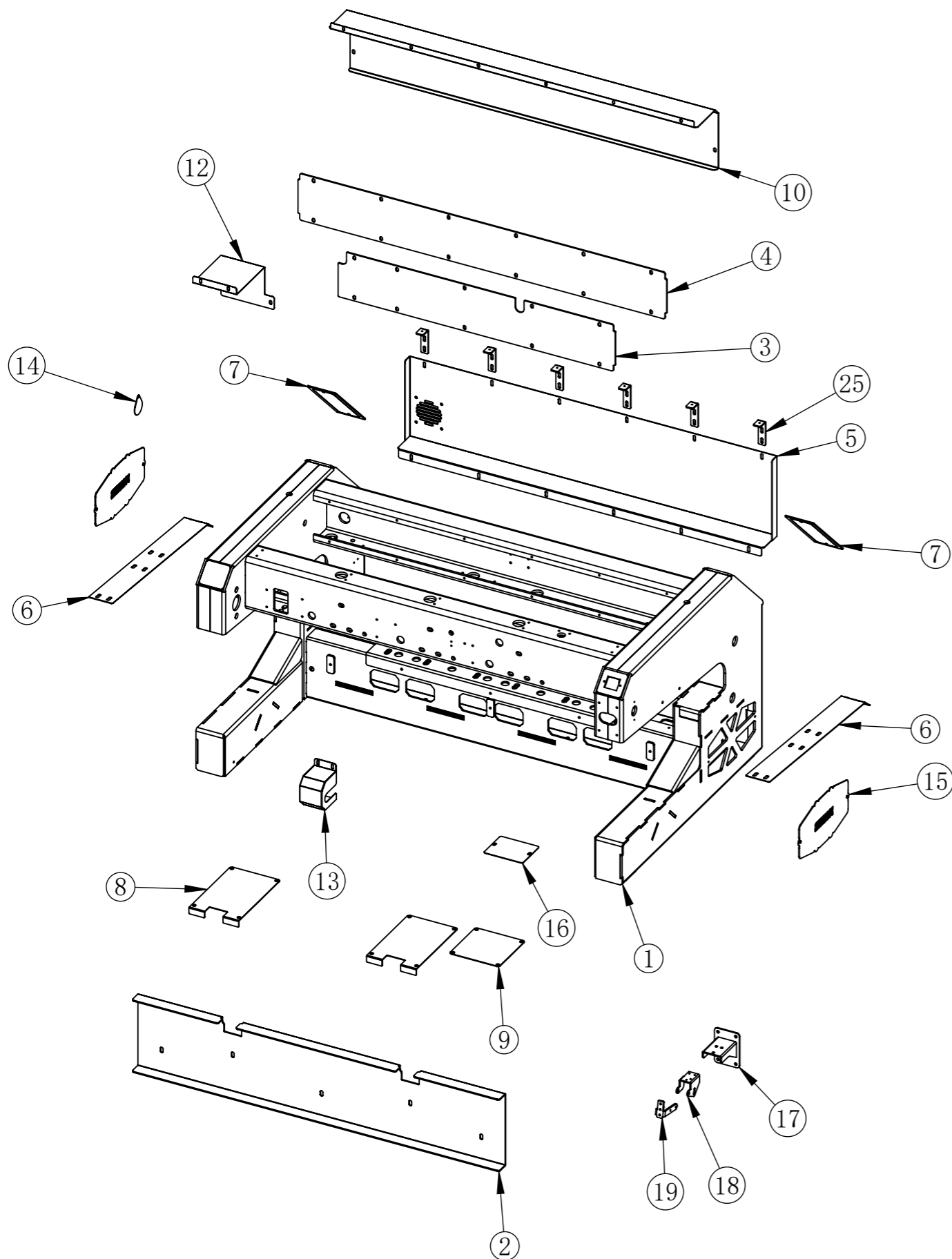
9 Machine Cover 机器罩盖(3头轻轨机)



9 Machine Cover 机器罩盖(3头轻轨机)

No.	Chinese Description	Description	Part No.	Qty
1	机架(上架)	Frame	109110003	1
2	蜗齿梭箱后盖板A	Bed Back Cover	109140001	3
3	梭箱前盖板-3头轻轨	Front Table Support Cover	109140003	1
4	前梁右盖板-3头轻轨	Front Bridge Back Cover-R	109260002	1
5	前梁左盖板-3头轻轨	Front Bridge Back Cover-L	109260001	1
6	中间梁侧盖板-Y500	Mid Bridge Back Cover	109260005	1
7	墙板后盖板-Y500	Back Side Cover	109260006	2
8	墙板下盖板-Y500	Under Cover	109260007	2
9	墙板侧盖板	Side Cover	109260008	2
10	大铁盆孔盖D	Hole Cover D	112260011	1
11	扳手孔盖	Lid:Handle	103260010	1
12	剪线口盖板	Cutting Hole Cover	109140002	1
13	马头X电机罩 - 加长铁	Motor Cover	105150065	1
14	操作头小支架	Display Support Bracket	109260011	1
15	操作头支架B	Face Plate Stand B	105090003	1
16	操作头支架A	Face Plate Stand A	105090001	1
17	后台板下盖板-3T	Back Side Table Support	109260010	1
18	Y马达联体罩盖 - 86步进	Cover	109260009	1
19	前置电机罩盖	Motor Cover	109260016	1
20	左侧面张紧轮罩盖	Side Cover	109260015	1
21	后梁右盖板	Back Bridge Back Cover-R	109260004	1
22	后梁左盖板	Back Bridge Back Cover-L	109260003	1
23	后大罩下角铁	Cover Bracket	103260067	7

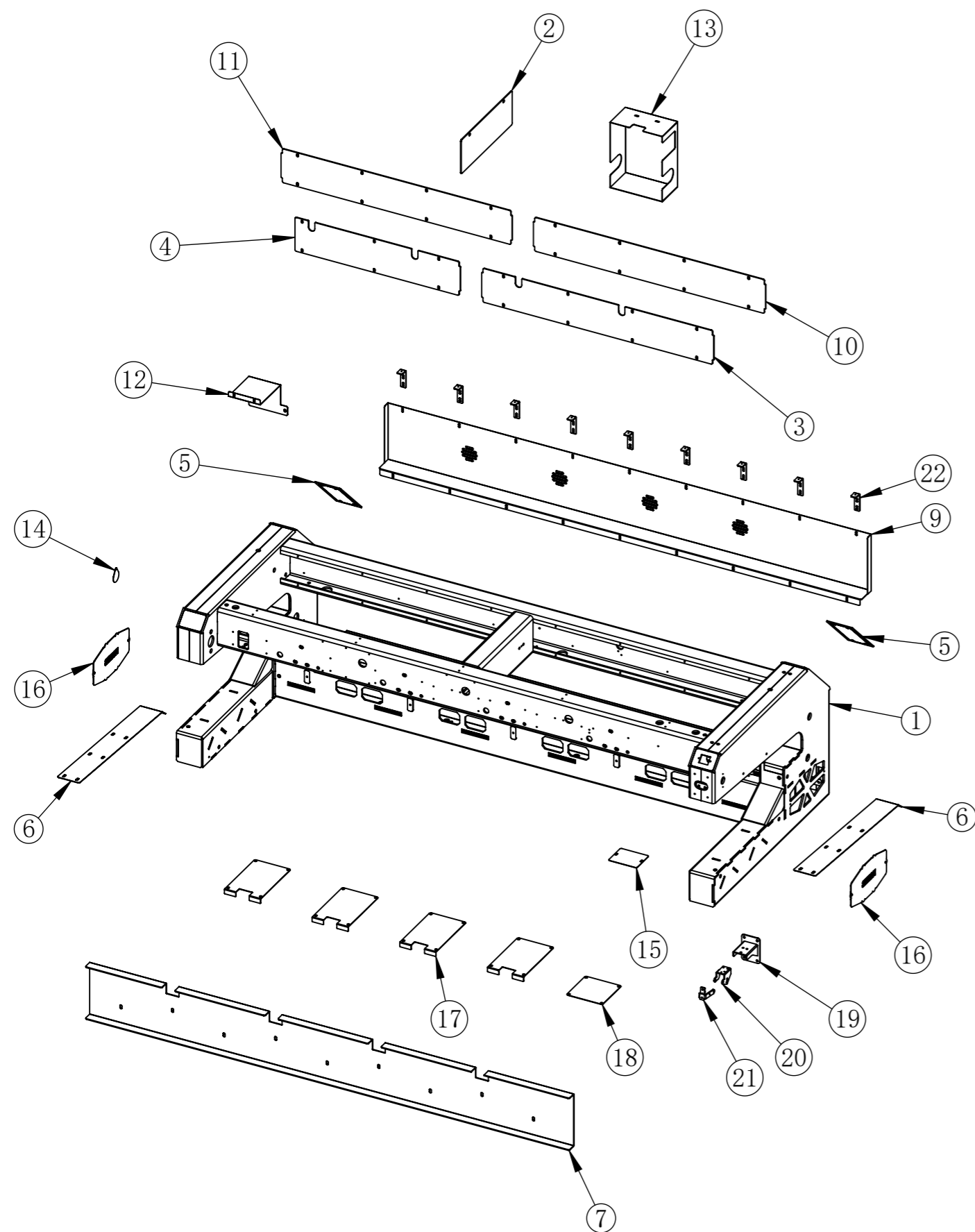
9 Machine Cover 机器罩盖 (1-2头轻轨机)



9 Machine Cover 机器罩盖 (1-2头轻轨机)

No.	Chinese Description	Description	Part No.	Qty
1	机架(上架)-2头轻轨	Frame	109110002	1
2	梭箱前盖板-2T轻轨	Front Table Support Cover	109140006	1
3	前梁盖板-2T轻轨	Front Bridge Back Cover	109260019	1
4	后梁盖板-2T轻轨	Back Bridge Back Cover	109260020	1
5	后台板下盖板-2头轻轨机	Back Side Table Support	109260024	1
6	墙板下盖板-Y400小墙板	Under Cover	109260027	2
7	墙板后盖板-Y400小墙板	Back Side Cover	109260026	2
8	涡齿梭箱后盖板A	Bed Back Cover	109140001	2
9	剪线口盖板	Cutting Hole Cover	109140002	1
10	后梁后大罩盖-2T轻	Back Bridge Cover	109260029	1
11	左侧面张紧轮罩盖	Side Cover	109260015	1
12	前置电机罩盖	Motor Cover	109260016	1
13	主轴零位光耦轮罩盖	Cover	109260013	1
14	扳手孔盖	Lid:Handle	103260010	1
15	墙板侧盖板	Side Cover	109260008	2
16	大铁盆孔盖D	Hole Cover D	112260011	1
17	操作头小支架	Display Support Bracket	109260011	1
18	操作头支架B	Face Plate Stand B	105090003	1
19	操作头支架A	Face Plate Stand A	105090001	1
20	梭箱前盖板-1T轻轨	Front Table Support Cover	109140005	
21	前梁盖板-1T轻轨	Front Bridge Back Cover	109260017	
22	后梁盖板-1T轻轨	Back Bridge Back Cover	109260018	
23	后台板下盖板-1T轻轨	Back Side Table Support	109260023	
24	后梁后大罩盖-1T轻轨	Back Bridge Cover	109260028	
25	后大罩下角铁	Cover Bracket	103260067	6

9 Machine Cover 机器罩盖 (4头轻轨机)

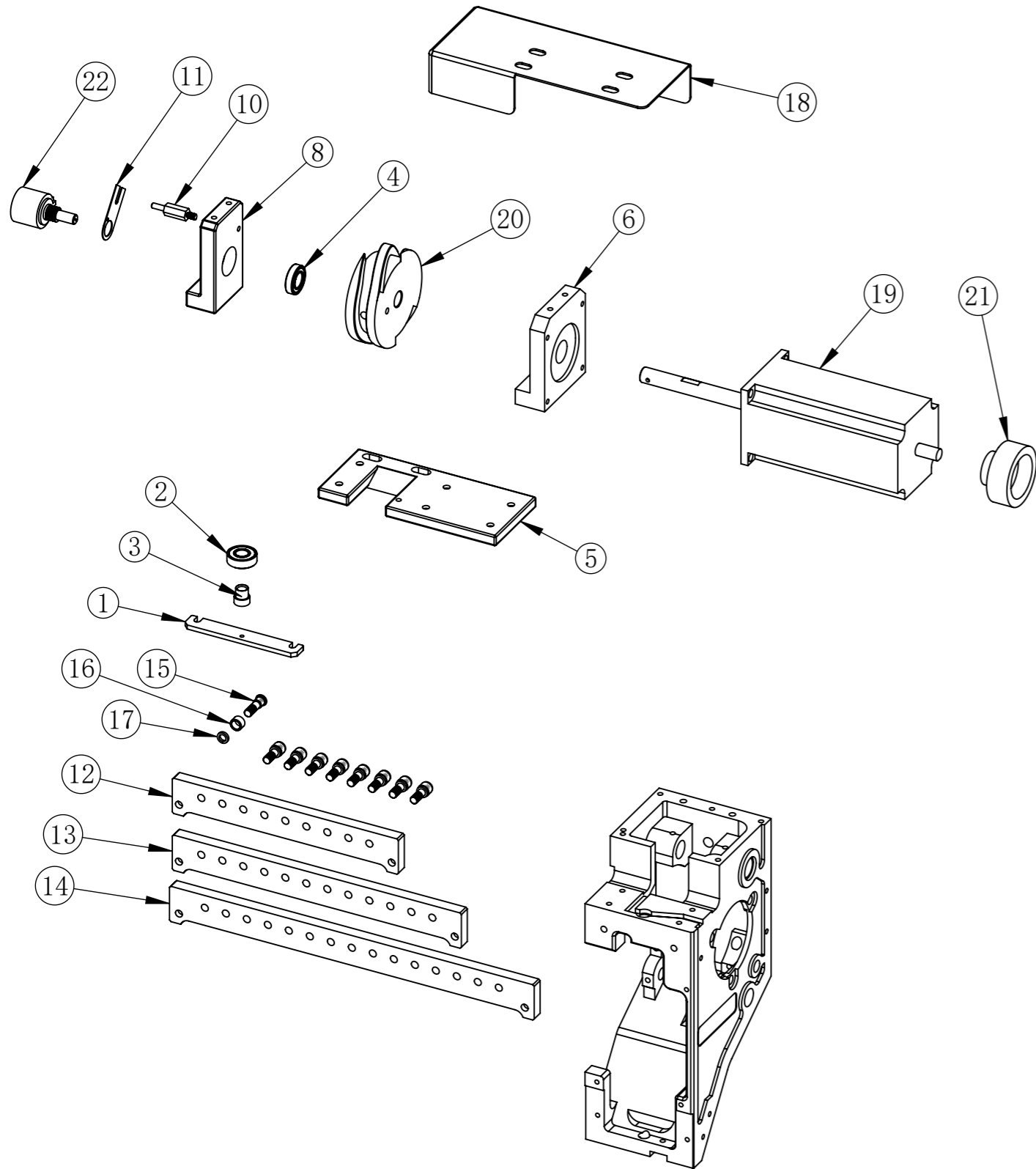


221014

9 Machine Cover 机器罩盖 (4头轻轨机)

No.	Chinese Description	Description	Part No.	Qty
1	机架 (上架) -4T轻轨	Frame	109110004	1
2	中间梁侧盖板	Mid Bridge Back Cover	109260005	1
3	前梁右盖板-4T轻轨	Front Bridge Back Cover-R	109260031	1
4	前梁左盖板-4T轻轨	Front Bridge Back Cover-L	109260030	1
5	墙板后盖板-Y500大墙板	Back Side Cover	109260006	2
6	墙板下盖板-Y500大墙板	Under Cover	109260007	2
7	梭箱前盖板-4T轻轨	Front Table Support Cover	109140007	1
8	左侧面张紧轮罩盖	Side Cover	109260015	1
9	后台板下盖板-4T轻轨	Back Table Support	109260025	1
10	后梁右盖板-4T轻轨	Front Bridge Back Cover-R	109260033	1
11	后梁左盖板-4T轻轨	Front Bridge Back Cover-L	109260032	1
12	前置电机罩盖	Motor Cover	109260016	1
13	Y马达联体罩盖-轻轨60伺服	Motor Cover	109260034	1
14	扳手孔盖	Lid:Handle	103260010	1
15	大铁盆孔盖D	Hole Cover D	112260011	1
16	墙板侧盖板	Side Cover	109260008	2
17	蜗齿梭箱后盖板A	Bed Back Cover	109140001	4
18	剪线口盖板	Cutting Hole Cover	109140002	1
19	操作头小支架	Display Support Bracket	109260011	1
20	操作头支架B	Face Plate Stand B	105090003	1
21	操作头支架A	Face Plate Stand A	105090001	1
22	后大罩下角铁	Cover Bracket	103260067	9

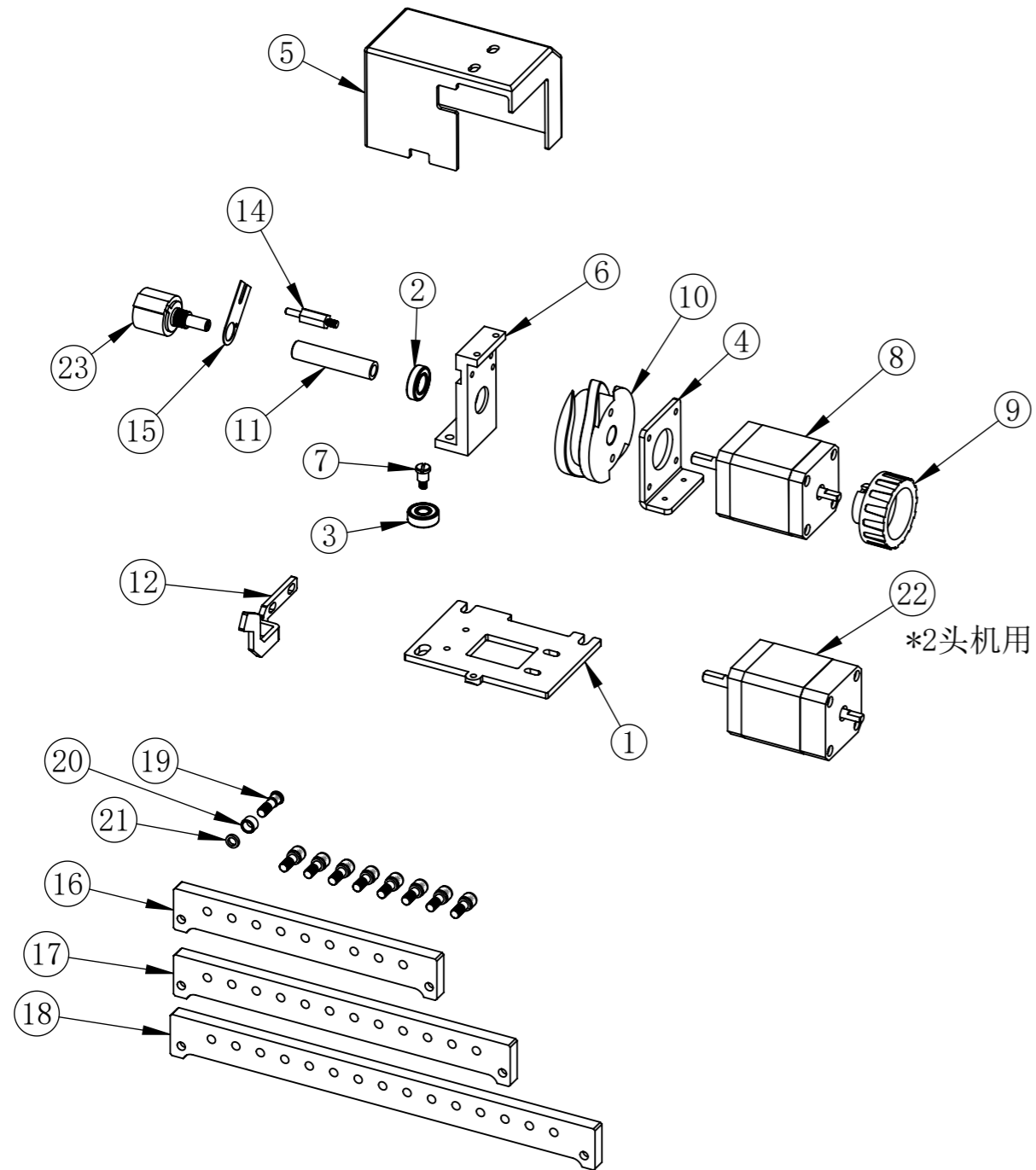
10 换色 Color Change



10 换色 Color Change

No.	Chinese Description	Description	Part No.	Qty
1	D机头上盖板 - 配大换色用	Bearing Base	109080008	1
2	轴承698	Bearing	202010016	1
3	自扣轴承销	Roller Pin	102010003	1
4	轴承6800	Bearing	202010011	1
5	换色凸轮底板	Color Change Base	109080006	1
6	换色电机支座	Motor Base	109080005	1
21	塑料手柄	Handle	105010017	1
8	换色凸轮支座	Bearing Plate	109080004	1
22	马头机换色电位器	Potentiometer	207020001	1
10	电位器螺栓	Fixed Bolt	105080004	1
11	电位器支撑板	Potentiometer Support	105080010	1
12	9针换色滚珠板	Guide Plate for 9N	105080012	1
13	12针换色滚珠板	Guide Plate for 12N	105080013	1
14	15针换色滚珠板	Guide Plate for 15N	105080014	1
15	分段销	Pin	105080017	9
16	换色滚珠	Collar	105080016	9
17	垫片	Bushing	105080018	9
18	换色凸轮上盖板	Cover	109080007	1
19	大换色电机	Motor	206020001	1
20	换色 凸轮 (大)	Cam	109080002	1

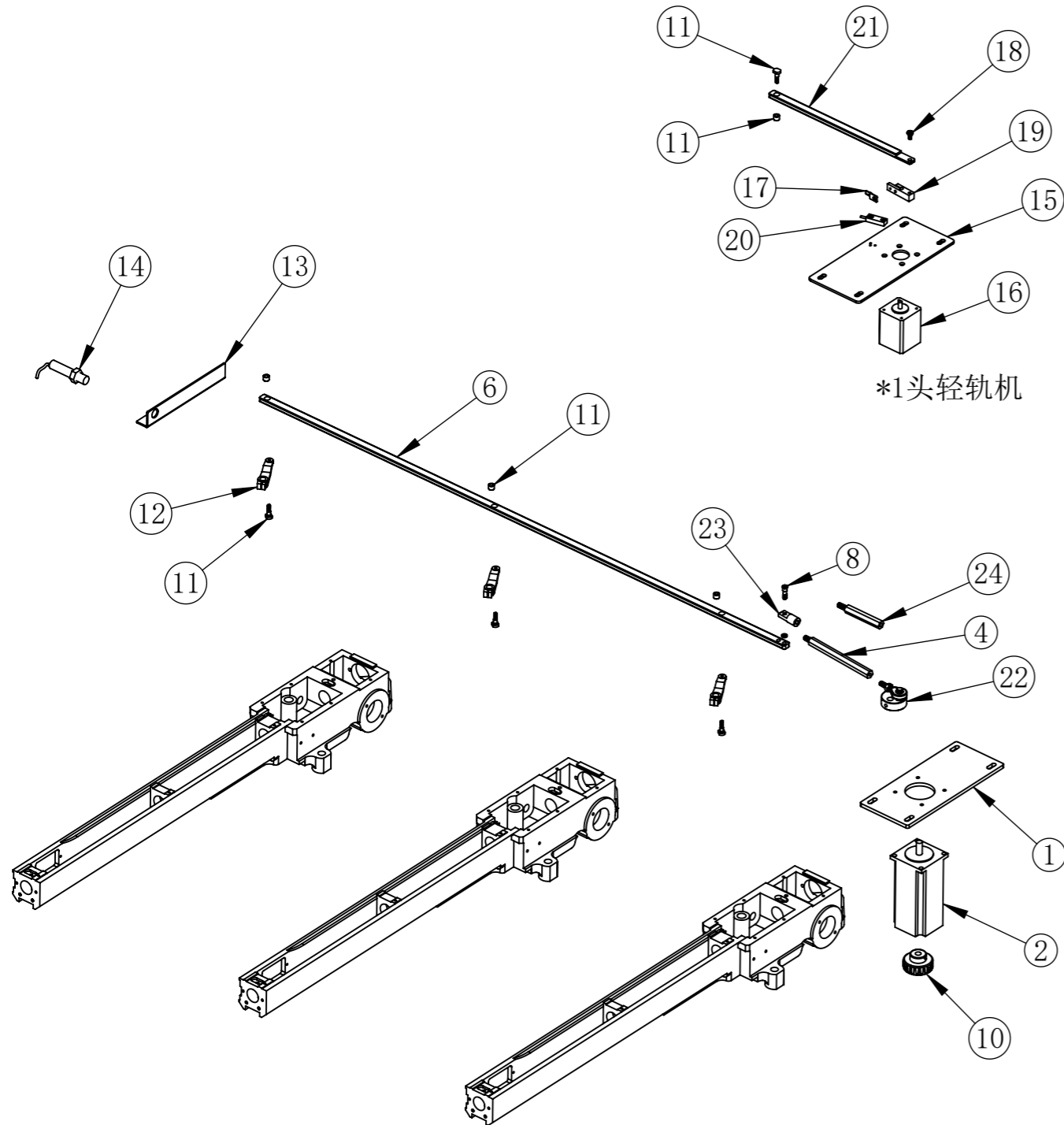
10 换色 Color Change



10 换色 Color Change

No.	Chinese Description	Description	Part No.	Qty
1	换色凸轮安装底板	Color Change Base	105080007	1
2	轴承6800z	Bearing	202010011	1
3	轴承606z	Bearing	202010012	1
4	换色马达座	Motor Base	105080003	1
5	换色凸轮塑料罩	Cover	105080008	1
6	换色轴承座	Bearing Plate	105080002	1
7	换色轴承台阶销	Pin	105080005	1
8	马头换色电机	Motor	206010008	1
9	电机手柄	Handle	105080006	1
10	换色 凸轮	Cam	105080001	1
11	换色凸轮轴套	Bushing	105080009	1
12	断线检测拨杆	Lever	105080020	1
23	马头机换色电位器	Potentiometer	207020001	1
14	电位器螺栓	Fixed Bolt	105080004	1
15	电位器支撑板	Potentiometer Support	105080010	1
16	9针换色滚珠板	Guide Plate for 9N	105080012	1
17	12针换色滚珠板	Guide Plate for 12N	105080013	1
18	15针换色滚珠板	Guide Plate for 15N	105080014	1
19	分段销	Pin	105080017	9
20	换色滚珠	Collar	105080016	9
21	垫片	Bushing	105080018	9
22	加强型换色电机	Motor	206010015	1

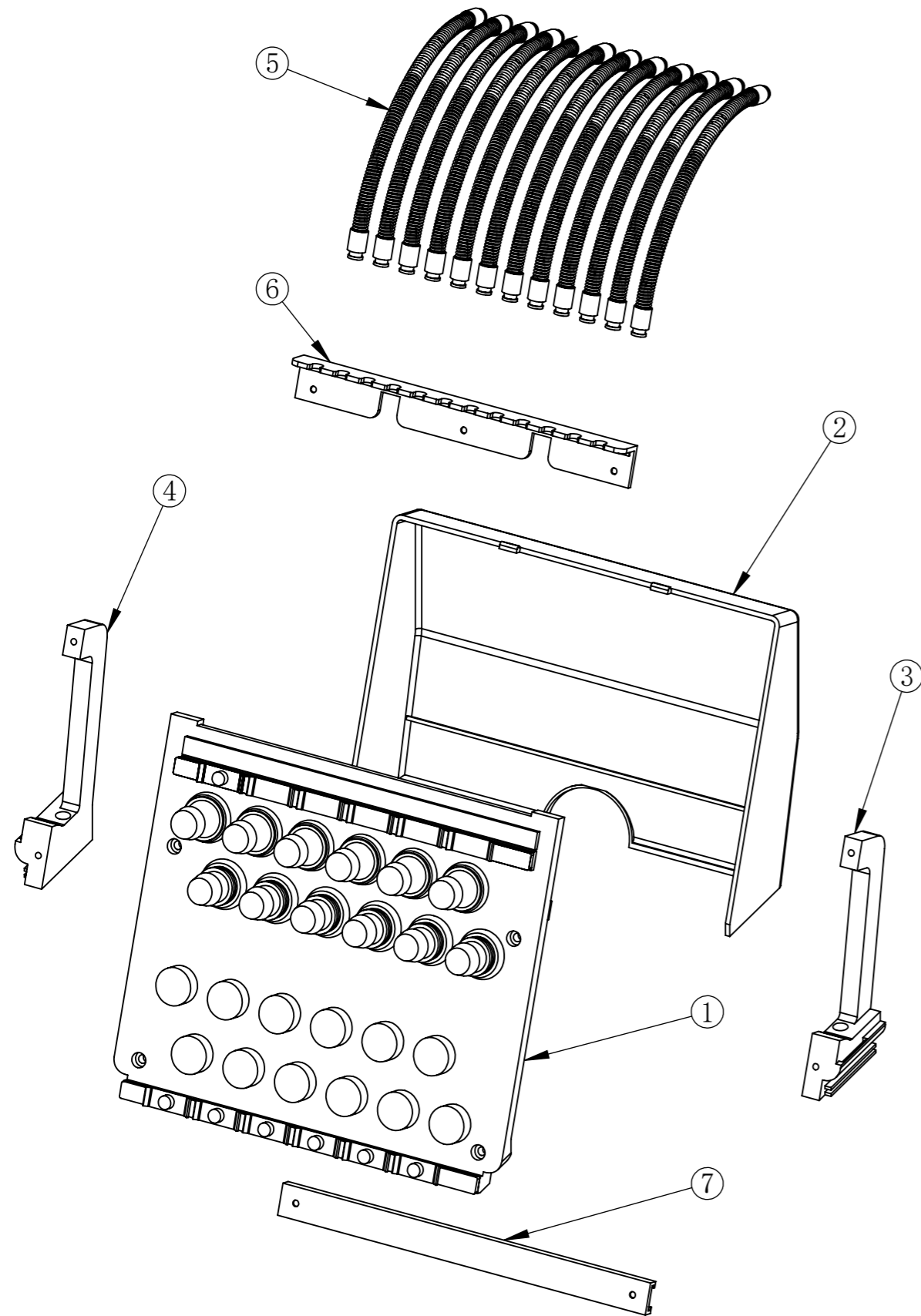
11 Trimming Drive System 剪线驱动



11 Trimming Drive System 剪线驱动

No.	Chinese Description	Description	Part No.	Qty
1	57电机安装法兰板-轻帽机用	Cuting Motor Plate	109070001	1
2	底线剪线电机	Step Motor	206020002	1
3	底线剪线电机 (3,4头)	Step Motor	206020003	
4	剪线六角连接螺栓L113	Screw L113	109070007	1
5	剪线驱动条-2头机用	Trimming Long Arm	109070005	
6	剪线驱动条-3头机用	Trimming Long Arm	109070002	1
7	剪线驱动条-4头机用	Trimming Long Arm	109070006	
8	分段销	Pin	105080017	1
10	塑料手柄	Adjustment Handle	105010017	1
11	剪线拉杆铜套	Bushing	103070003	4
11	剪线台阶销	Pin Screw	103070021	4
12	开口剪线连杆	Drive Arm	105070006	3
13	剪线杆接近开关座	Sensor Base	109070003	1
14	接近开关	Proximity Sensor	207030007	1
15	轻帽1头42剪线电机板	Motor Base	109070010	1
16	马头底线剪线电机	Cutting Motor	206010009	1
17	剪线感应头	Sensor Plate	105070005	1
18	剪线连杆台阶螺丝	Pin Screw	105070008	1
19	剪线驱动杆	Trimming Drive Rod	105070004	1
20	接近开关 (马头剪线)	Limit Sensor	207030005	1
21	剪线驱动条-1头机用	Trimming Long Arm	109070004	1
22	剪线偏心轮组件d8	Slider Wheel Set	306060002	1
23	螺栓连接头	Link Set	103070015	1
24	剪线六角连接螺栓L60	Connecting Rod	109070008	1

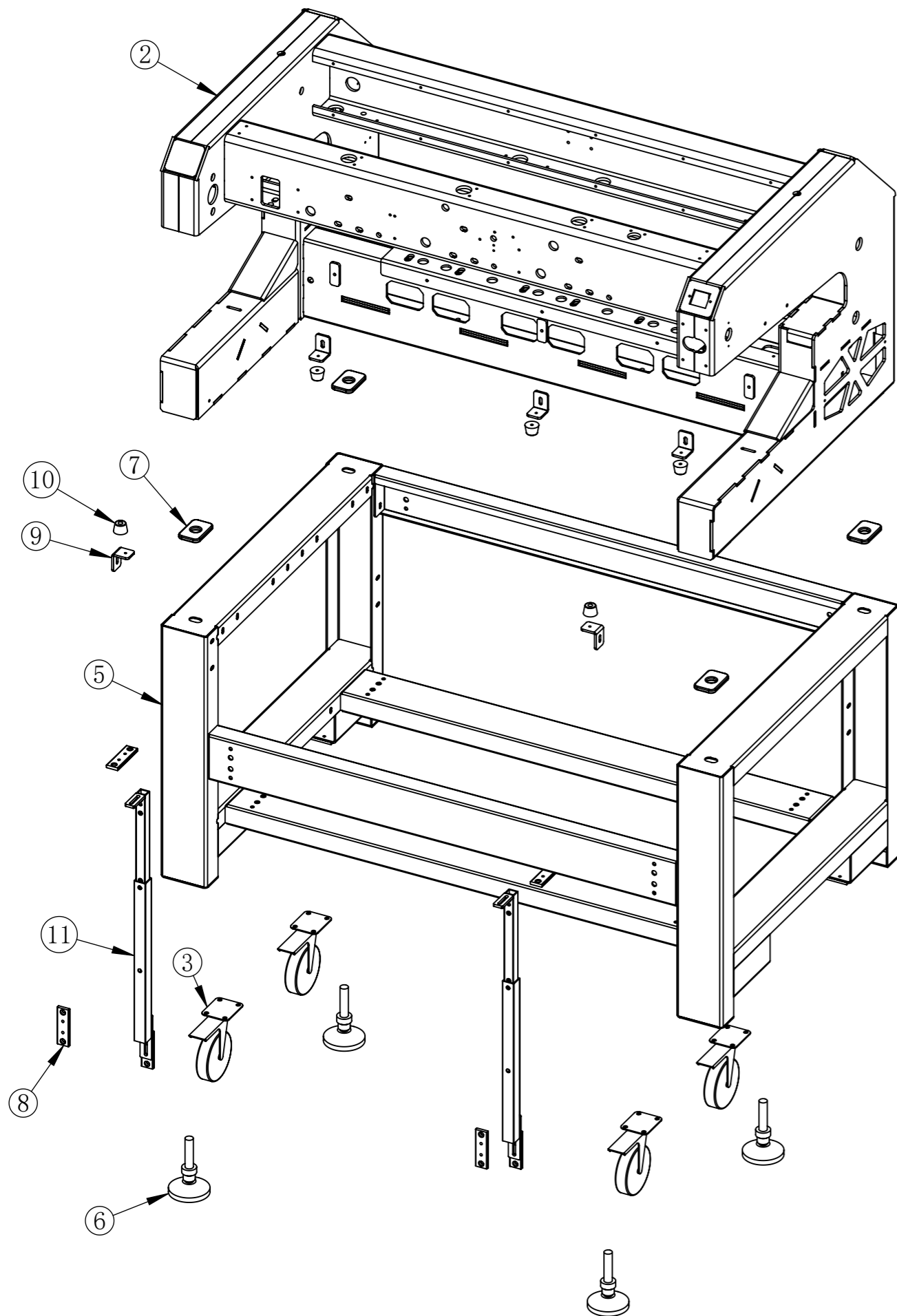
12. Tension 夹线器



12. Tension 夹线器

No.	Chinese Description	Description	Part No.	Qty
1	夹线器面板12针	Thread Lead Plate-12	105060008	1
	夹线器面板15针	Thread Lead Plate-15	105060009	1
2	夹线器后罩壳12针	Rear Cover For-12	105060004	1
	夹线器后罩壳15针	Rear Cover For-15	105060005	1
3	夹线器支架 (右)	Support-R	105060002	1
4	夹线器支架 (左)	Support-L	105060001	1
5	过道线组件	Wiring Assembly	105060010	12
6	压线基板12针	Thread Lead Plant-12	105060011	1
	压线基板15针	Thread Lead Plant-15	105060012	1
7	断线感应滑轨12针	Slider For-12	105060013	1
	断线感应滑轨15针	Slider For-15	105060014	1

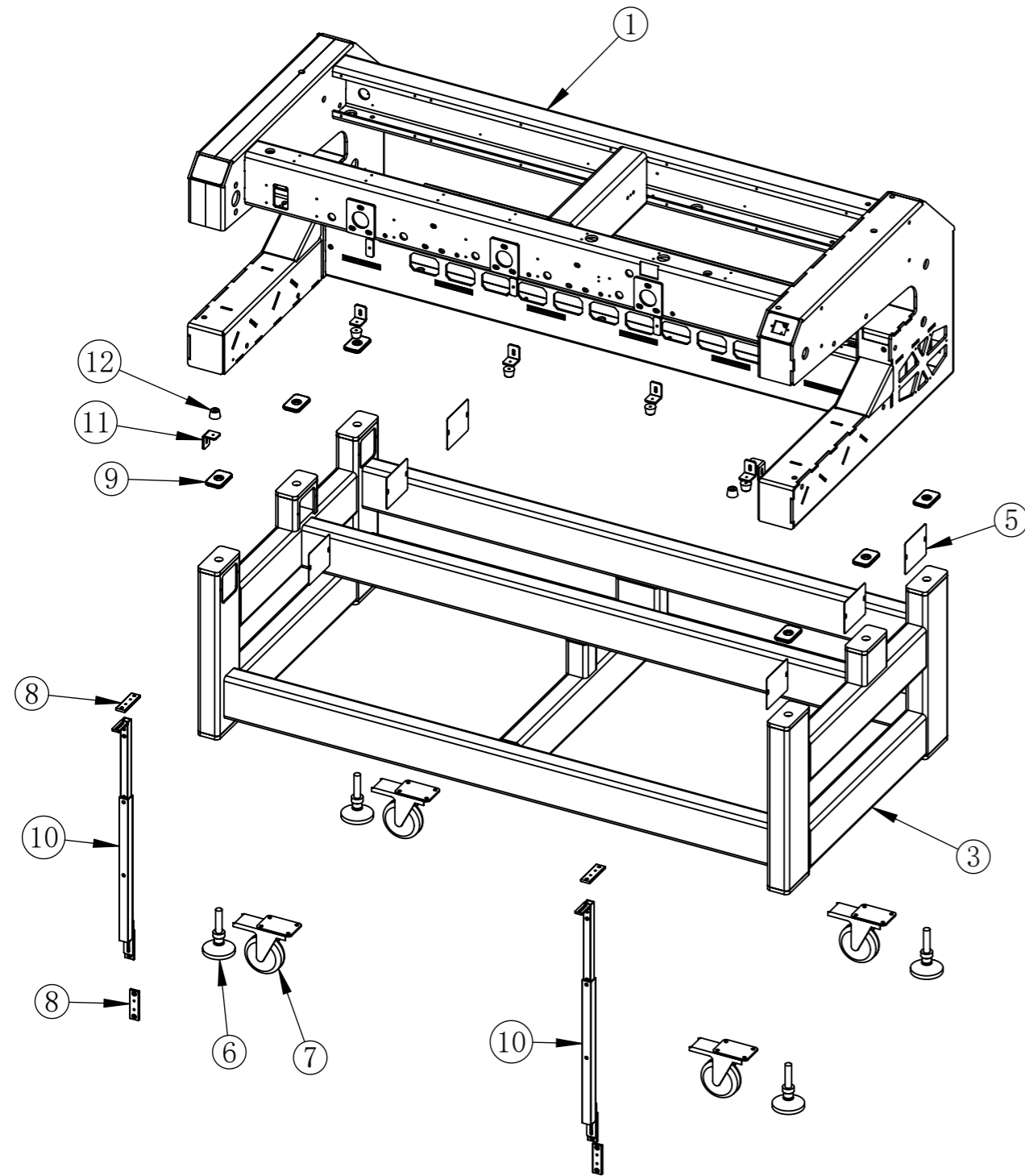
13 Stand 底架



13 Stand 底架

No.	Chinese Description	Description	Part No.	Qty
1	机架（上架）1T轻轨机	Frame	109110001	
2	机架（上架）2T轻轨机	Frame	109110002	1
3	轻型脚轮D100W25	Rotary Truckle	210010009	4
4	1头轻轨机底架组件	Stand	313010012	
5	2头轻轨机底架组件	Stand	313010013	1
6	脚垫螺栓M16	Adjustment Bolt	210020002	4
7	底架减震胶垫	Rubber Mat	105120001	4
8	台板前支撑铁基板	Support Board	103140016	4
9	橡胶垫角座	Angle Bracket	109140009	5
10	台板缓冲垫圈	Rubber Pad	109140010	5
11	活动台板支撑套件-铝方管250/350	Table Support Set	311010006	2

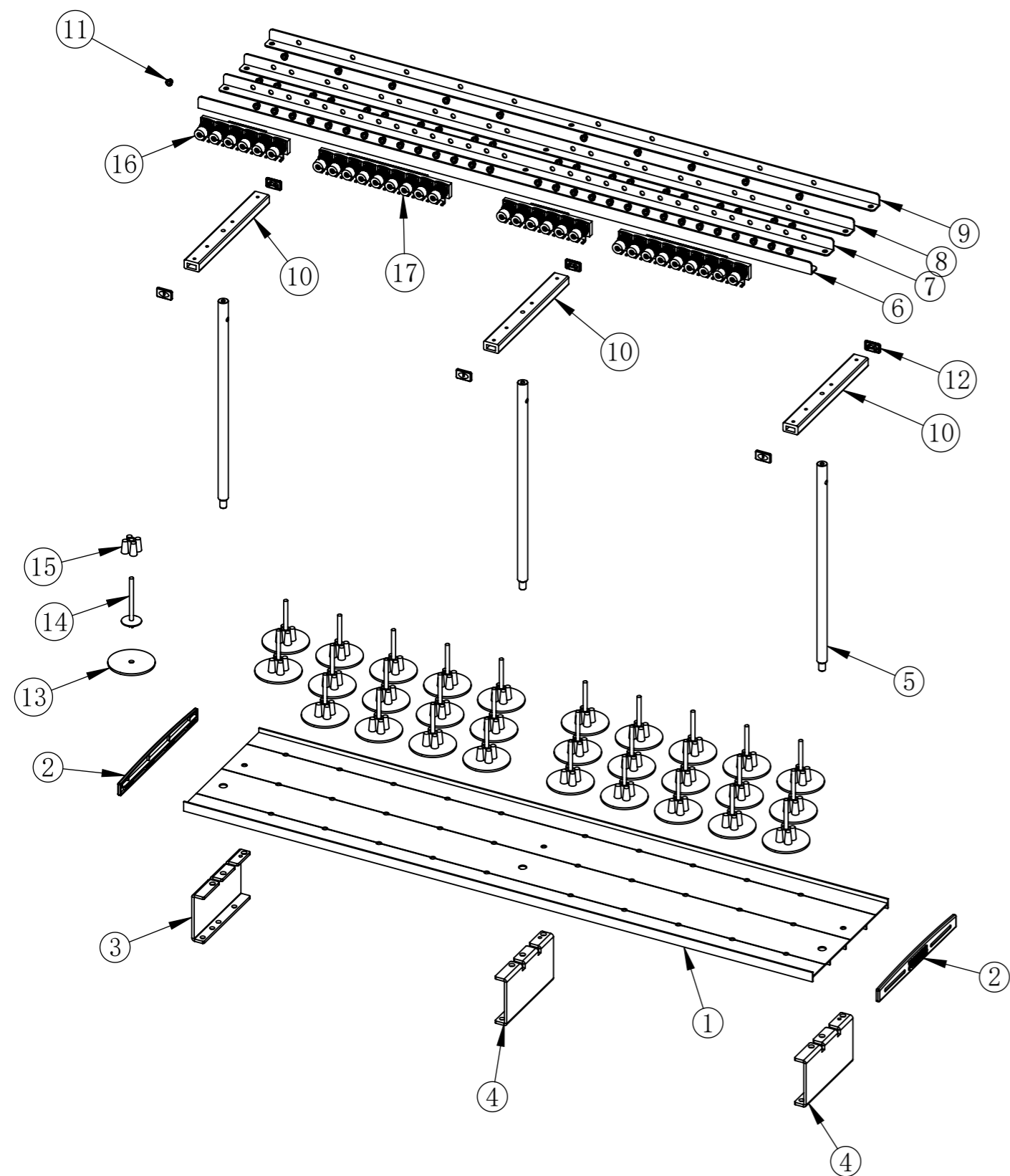
13 Stand 脚架



13 Stand 脚架

NO.	Chinese Description	Description	Part No.	Qty
1	机架（上架）3T轻轨机	Frame	109110003	1
2	机架（上架）4T轻轨机	Frame	109110004	
3	方管焊接底架-3T轻轨机	Stand	313010014	1
4	方管焊接底架-4T轻轨机	Stand	313010015	
5	大铁盆孔盖D	Hole Cover D	112260011	6
6	脚垫螺栓M16	Adjustment Bolt	210020002	4
7	重型脚轮D100 4寸	Rotary Truckle	210010011	4
8	台板前支撑铁基板	Support Board	103140016	4
9	底架减震胶垫	Rubber Mat	105120001	6
10	活动台板支撑套件-铝方管275/410	Table Support Set	311010005	2
11	橡胶垫角座	Angle Bracket	109140009	6
12	台板缓冲垫圈	Rubber Pad	109140010	6

14 Thread Stand 线架

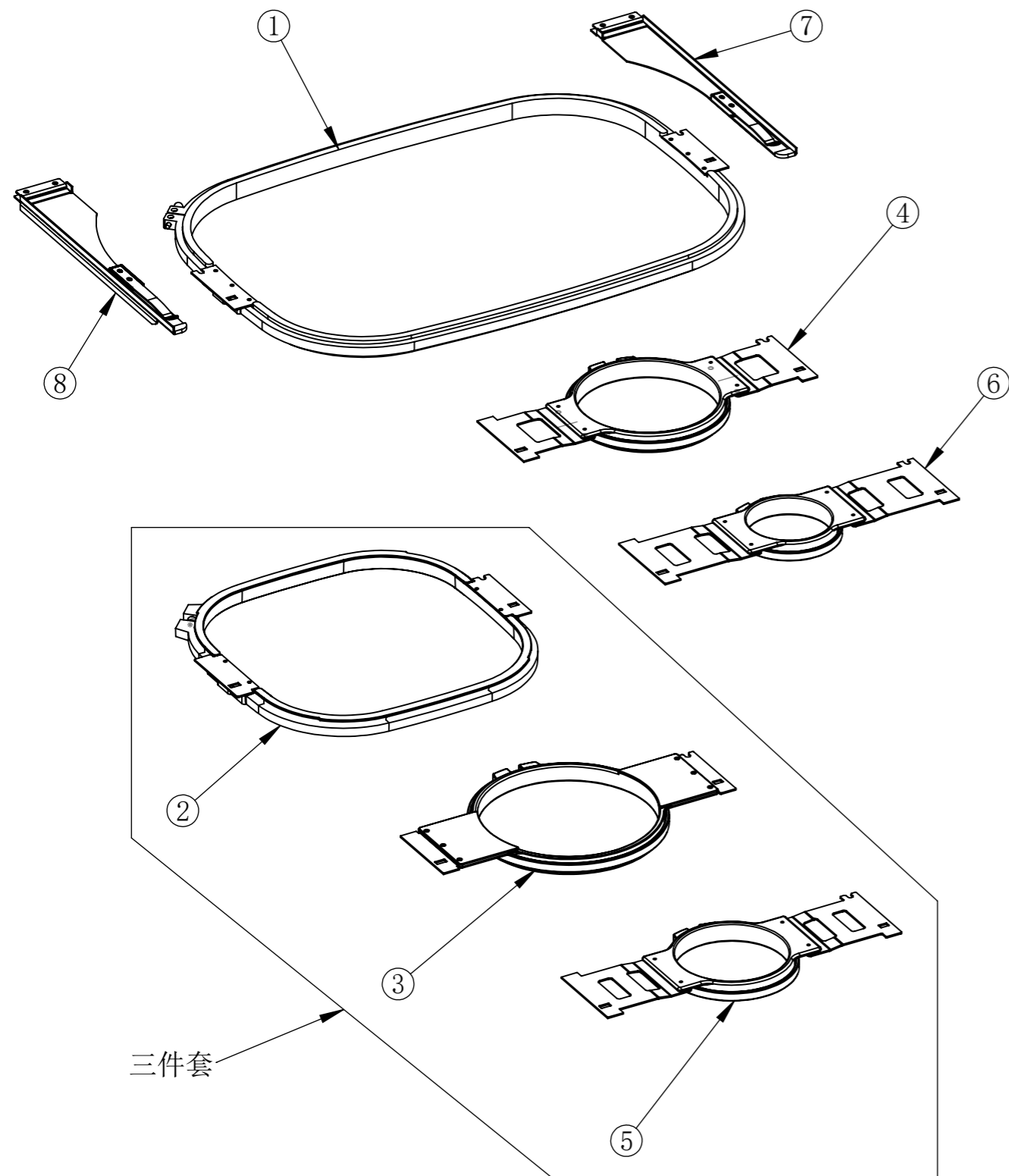


220826

14 Thread Stand 线架

No.	Chinese Description	Description	Part No.	Qty
1	铝线盘-2头500头距L1050	Thread Stand Plate	109210002	1
2	线盘塑料端盖	Plate Side Cover	109260035	2
3	线盘支撑(左)	Plate Support Bracket	109210011	1
4	线盘支撑(右)	Plate Support Bracket	109210012	2
5	线架立柱	Thread Stand Column	105210032	3
6	过线道角铝前-2T500头距L1020	Aluminum Strip 1	109210025	1
7	过线道角铝中前-2T500头距L1020	Aluminum Strip 2	109240026	1
8	过线道角铝中后-2T500头距L1020	Aluminum Strip 3	109210027	1
9	过线道角铝后-2T500头距L1020	Aluminum Strip 4	109210028	1
10	线架横档(铝)-单立柱	Thread Lead Plate	109210013	3
11	线架瓷眼(白)	Porcelain Sleeve	105210001	60
12	线架横档端盖	Side Cover	109260036	6
13	线盘毛毡垫D70	Felt	105210030	30
14	塑料线钉	Pin	105210028	30
15	线钉张紧塑料块	Block	105210029	30
16	过线钮组件-6针	Thread Tension Set 6N	105210027	2
17	过线钮组件-9针	Thread Tension Set 9N	105210026	2
18	铝线盘-1头轻轨机L550	Thread Stand Plate	109210001	
19	铝线盘-3头400轻轨机L1250	Thread Stand Plate	109210003	
20	铝线盘-4头400轻轨机L1650	Thread Stand Plate	109210004	
21	过线道角铝前-1头L520	Aluminum Strip 1	109210021	
22	过线道角铝中前-1头L520	Aluminum Strip 2	109210022	
23	过线道角铝中后-1头L520	Aluminum Strip 3	109210023	
24	过线道角铝前-1头L520	Aluminum Strip 4	109210024	
25	过线道角铝前-3头400头距L1220	Aluminum Strip 1	109210029	
26	过线道角铝中前-3头400头距L1220	Aluminum Strip 2	109210030	
27	过线道角铝中后-3头400头距L1220	Aluminum Strip 3	109210031	
28	过线道角铝后-3头400头距L1220	Aluminum Strip 4	109210032	
29	过线道角铝前-4头400头距L1620	Aluminum Strip 1	109210033	
30	过线道角铝中前-4头400头距L1620	Aluminum Strip 2	109210034	
31	过线道角铝中后-4头400头距L1620	Aluminum Strip 3	109210035	
32	过线道角铝后-4头400头距L1620	Aluminum Strip 4	109210036	

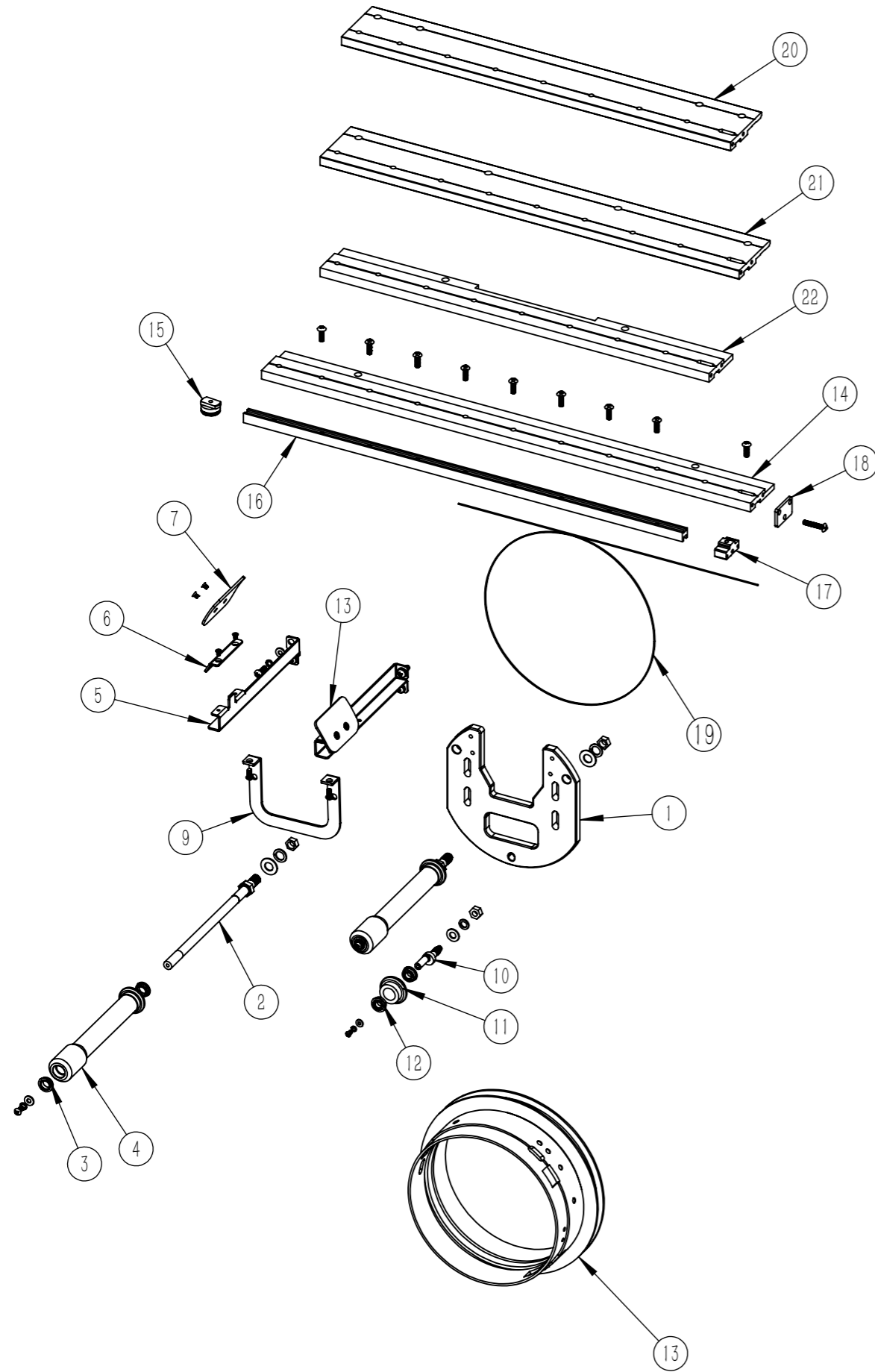
16. Embroidery Frame 绷架



16. Embroidery Frame 绷架

No.	Chinese Description	Description	Part No.	Qty
1	马头机绷架360X540绿色	Rectangle Frame-360X540	316010007	1
2	马头机绷架300X300绿色	Rectangle Frame-300X300	316010005	1
3	马头机绷架D200绿色	Round Frame-D200	316010004	1
4	马头机绷架D150绿色	Round Frame-D150	316010003	1
5	马头机绷架D120绿色	Round Frame-D120	316010002	1
6	马头机绷架D90绿色	Round Frame-D90	316010001	1
7	马头右扶手283	Frame Bracket Set-R	105190009	1
8	马头左扶手283	Frame Bracket Set-L	105190008	1
三件套	马头机绷架300X300绿色	Rectangle Frame-300X300	316010005	1
	马头机绷架D200绿色	Round Frame-D200	316010004	1
	马头机绷架D120绿色	Round Frame-D120	316010002	1

17-1 Cap Frame parts 帽驱动组件

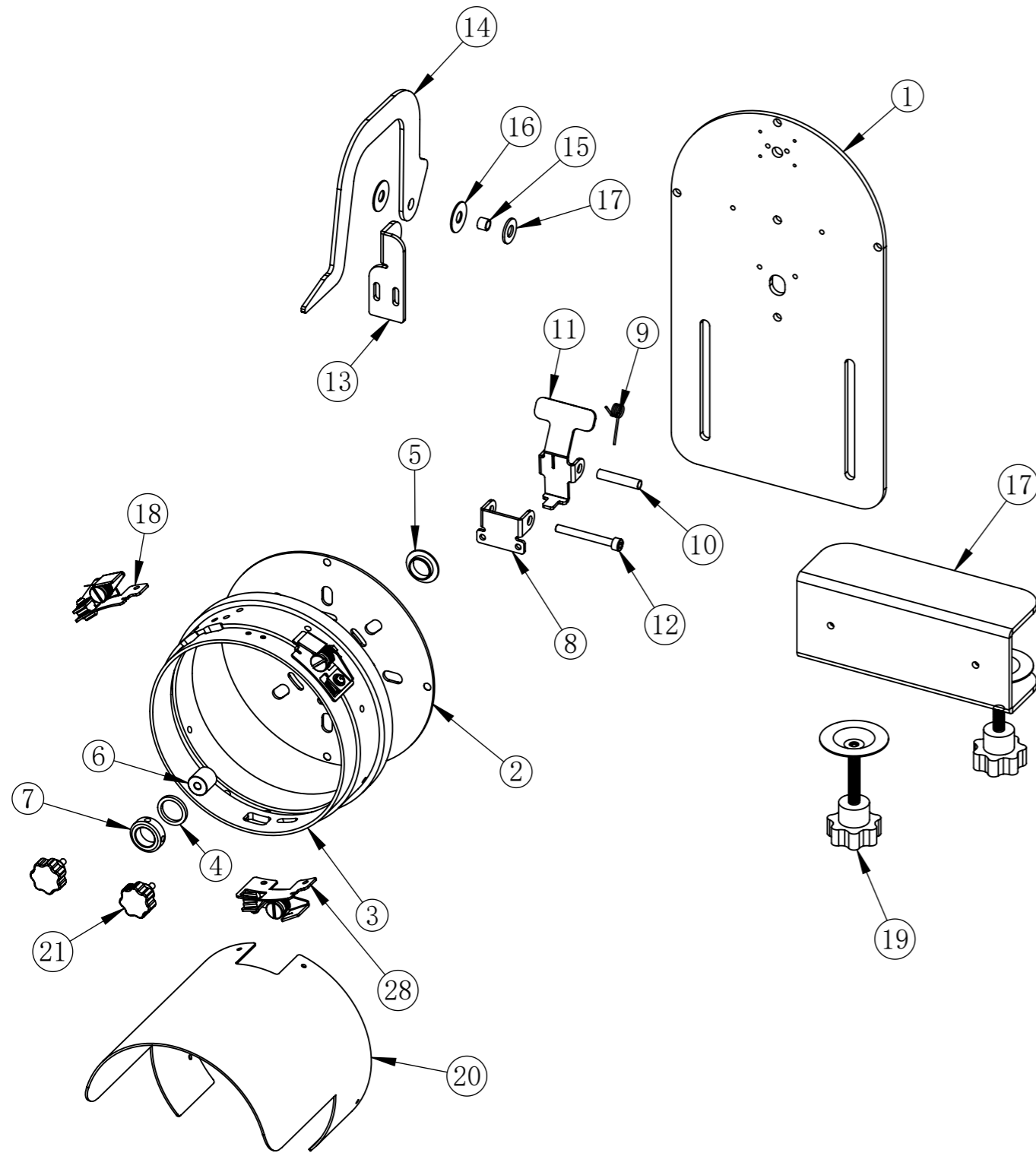


220708

17-1 Cap Frame parts 帽驱动组件

No.	Chinese Description	Description	Part No.	Qty
1	帽驱动底板	Cap frame main support	103240021	1
2	导向轮轴	Shaft	103240024	2
3	轴承MFL2622	Bearing MFL2622	202010037	4
4	尼龙棒	Nylon rod	103240023	2
5	导向支撑左	Support-L	103240025	1
6	导向板调节座	Support plate	103240028	1
7	帽导向板	Minor support plate	103240029	1
8	导向支撑右	Support-R	103240026	1
9	左右支撑加强版	U stand	103240036	1
10	偏心销	Pin shaft	103240004	1
11	尼龙滚轮	Trolley	103240030	1
12	轴承MFL2822	Bearing MFL2822	202010036	2
13	帽圈	Cap tube	103240022	1
14	马头机帽框联结板L490	Cap frame support plate	103240045	1
15	驱动滑轮M4XD17T10	Nylon wheel	103240042	1
16	帽驱动板导轨	Plastic bar	103240044	1
17	钢丝张紧块	Adjustment slider	103240039	1
18	驱动板调节座 (28X18X2.5)	Adjustment plate	103240041	1
19	钢丝	Steel wire	103240048	1
20	高速帽机帽框联接板-TJ400	Cap Frame Support Plate	103240040	1
21	高速帽机帽框联接板-TJ520	Cap Frame Support Plate	103240046	1
22	帽框联接板L390	Peaks connecting plate	103240047	1

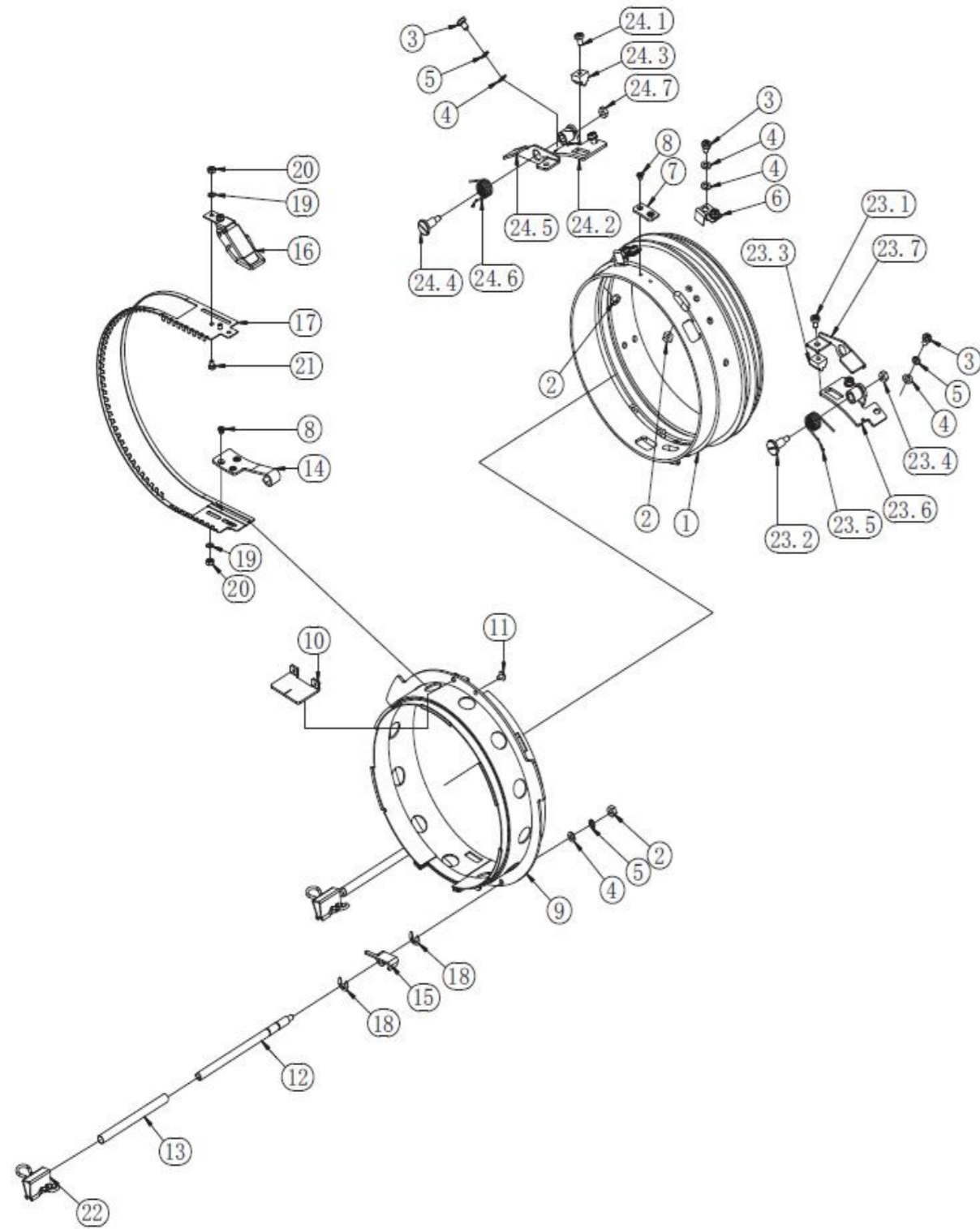
17-2 Cap Frame Parts 帽座组件



17-2 Cap Frame Parts 帽座组件

No.	Chinese Description	Description	Part No.	Qty
1	帽架支架平板 - 带旋转	Cap Frame Main Su	110200003	1
2	帽架帽圈后板	Back Palte	110200004	1
3	帽座帽圈	Cap Tube	110200005	1
4	轴芯尼龙隔套	Ring	110200006	1
5	轴芯耐磨衬套	plastics Collar	110200007	1
6	轴芯 - 旋转	Pin	110200008	1
7	轴芯挡圈	Collar	110200009	1
8	扳扣底板	Trigger Base Plate	110200010	1
9	扳扣扭簧	Trigger Spring	110200011	1
10	扳扣转轴	Trigger Shaft	110200012	1
11	扳扣板	Trigger	110200013	1
12	M5螺丝 - 45半牙	Screw		1
13	对位板底板	Location Base Plate	110200014	1
14	对位板	Location Plate	110200015	1
15	对位板空心转轴	Location Shaft	110200016	1
16	尼龙垫片D22d8H1	Insulation Spacer	110200017	2
17	帽架支架U板	Support U Plate	110200019	1
18	帽圈卡扣组件A	Snap Set A	317010011	1
28	帽圈卡扣组件B	Snap Set B	317010012	2
19	帽座手柄A	Handle A	103240011	2
20	帽檐	Brim of a hat	103240006	1
21	梅花手柄螺丝M4L10	Screw	110200055	2

18. Cap Stand Frame 帽架



18. Cap Stand Frame 帽架

No.	Chinese Description	Description	Part No.	Qty
1	帽管	Cap tube		
2	螺母M4	Nut M4		
3	十字槽扁圆头螺钉	Truss head screws M4*6	201160406-3	
4	垫圈M4	Washer M4	201210410-2	
5	弹垫M4	Spring washer M4		
6	弹片	Shrapnel		
7	定位块	Positioning block		
8	十字槽沉头螺钉M3*4	Counterbore screws M3*4	201130304-2	
9	夹	Clamp		
10	定位块	Positioning block		
11	六角头螺钉M3*4	Hex head cap screws M3*4	201460304-1	
12	帽架支柱	Hat rack strut		
13	橡胶衬套	Rubber bushing		
14	锁扣	Tie head cap		
15	锁钩	Lock hook		
16	锁	Lock		
17	夹帽片	Cap strapping rod		
18	E型圈	E-Ring-6		
19	垫圈M4	Washer M4	201210410-2	
20	螺母M3	Nut M3	201350322	
21	六角头螺钉M3*4	Hex head cap screws M3*4	201460304-1	
22	夹子	Clip		
23	帽盖组件A	Cap casing A		
23.1	十字槽扁圆头螺钉	Truss head screws M4*6	201160406-3	
23.2	带卡盘螺丝	Screw with chucker		
23.3	帽盖A	Cap casing		
23.4	螺母M4	Nut M4	201350422	
23.5	收宿弹簧	Collet spring		
23.6	夹座	Clamp base		
23.7	夹座A	Clamp base A		
24	夹座B	Clamp base B		
24.1	十字槽扁圆头螺钉	Truss head screws M4*6	201160406-3	
24.2	夹座B	Clamp base B		
24.3	帽盖组件	Cap casing		
24.4	带卡盘螺丝	Screw with chucker		
24.5	帽盖B	Cap casingB		
24.6	收宿弹簧B	Collet spring B		
24.7	螺母M4	Nut M4	201350422	