

# **FORTEVER®**

## **零 件 书**

### **SPARE PARTS BOOK**

#### **HIGH SPEED TUBULAR EMBROIDERY MACHINE**

#### **高速帽绣机**

**MODEL: FT-1204H/FT-1504H**

**FT-1206H/FT-1506H**

**FT-1208H/FT-1508H**

# HIGH SPEED TUBULAR EMBROIDERY MACHINE

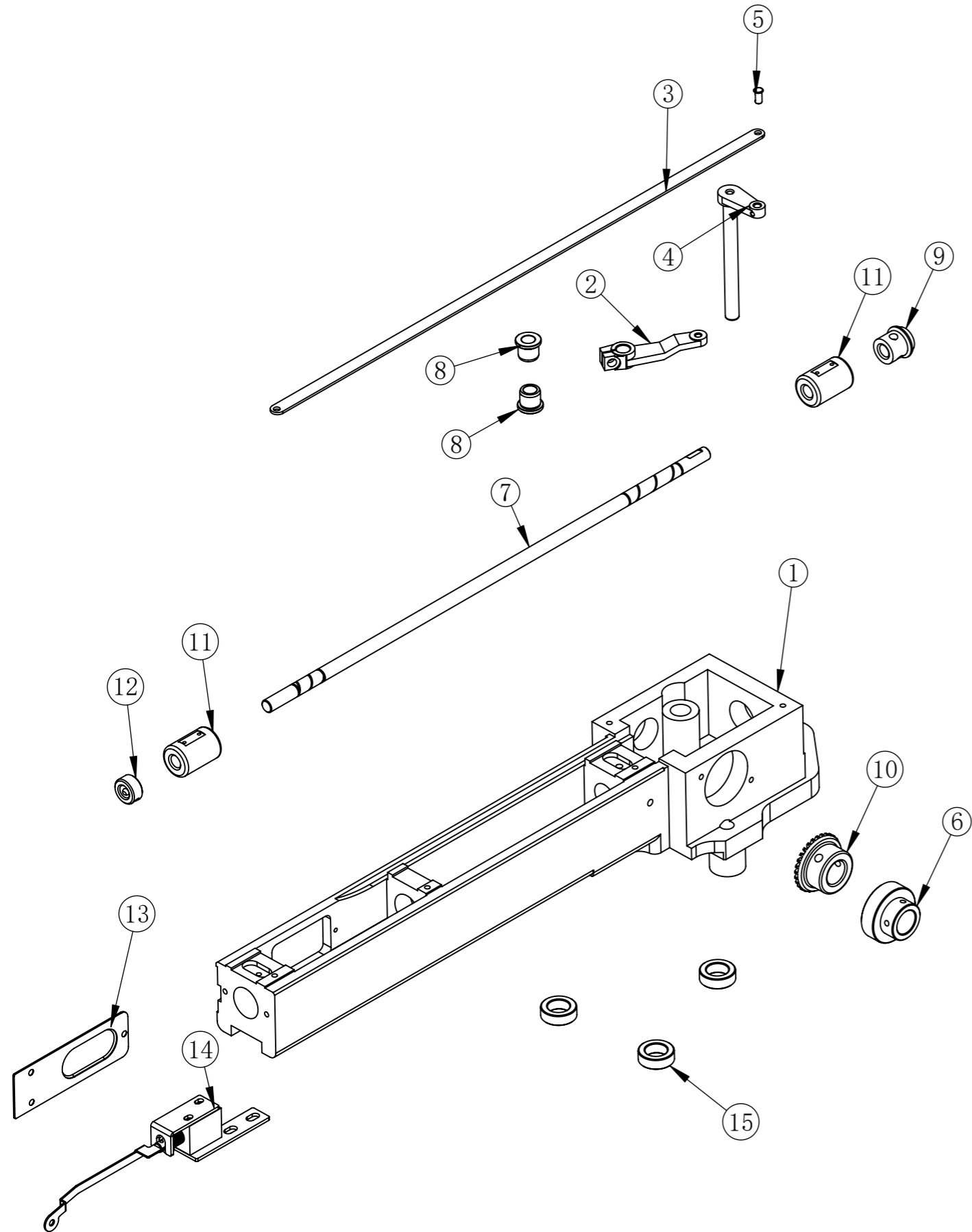
## 高速帽绣机

### C O N T E N T S

### 目 录

|     |                                              |    |                               |
|-----|----------------------------------------------|----|-------------------------------|
| 1   | Rotary Hook Base<br>梭床                       | 8  | Gear Box<br>齿轮箱               |
| 2   | Trimming Parts<br>底线剪线部分                     | 9  | Machine Cover<br>机器罩盖         |
| 3   | XY Drive System<br>XY导轨驱动系统                  | 10 | Color Change Parts<br>换色      |
| 4   | X Axis Guide Rail<br>X向导轨                    | 11 | Trimming Drive System<br>剪线驱动 |
| 5   | Y Axis Guide Rail<br>Y向导轨                    | 12 | Tension<br>夹线器                |
| 6-1 | Head Guide Rail Jump Solenoid<br>机头导轨 机头电磁铁  | 13 |                               |
| 6-2 | Slide Block Take Up Lever A/B<br>针杆驱动块 挑线杆AB | 14 |                               |
| 6-3 | Needle Bar Driving Cam Set<br>大连杆组件          | 15 |                               |
| 6-4 | Presser Foot Cam Block<br>压脚凸轮 压脚驱动块         | 16 | Embroidery Frame<br>花架        |
| 6-5 | Jump Motor<br>电机跳跃                           | 17 | Cap Frame Parts<br>帽框组件       |
| 7-1 | Needle bar Take Up Lever<br>针杆 挑线杆           | 18 | Cap Stand Frame<br>帽架         |
| 7-2 | Head Cover Thread Lock<br>面盖 下过线             |    |                               |

# 1 Rotary Hook Base 梭床

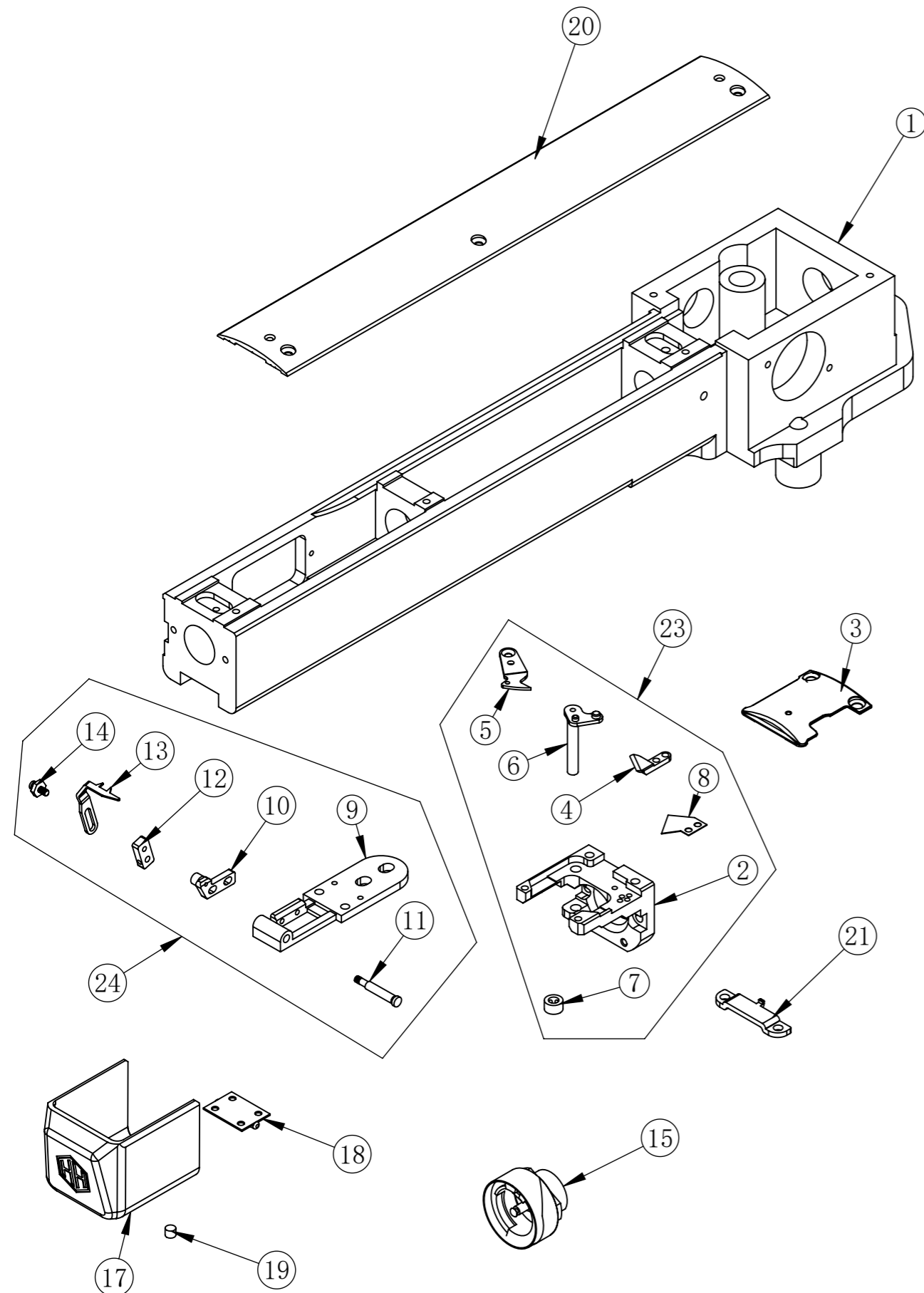


220826

# 1 Rotary Hook Base 梭床

| No. | Chinese Description | Description            | Part No.  | Qty. |
|-----|---------------------|------------------------|-----------|------|
| 1   | 帽机梭床                | Cylinder Bed A         | 103030001 | 1    |
| 2   | 开口剪线连杆              | Drive Arm              | 105070006 | 1    |
| 3   | 剪线薄拉杆 - 帽机          | Knife Connecting Plate | 103030014 | 1    |
| 4   | 剪线驱动柄               | Thread Trimming Lever  | 105070001 | 1    |
| 5   | 薄头销钉                | Pin                    | 105070022 | 1    |
| 6   | 联体轴承6003            | Bearing 6003           | 202150003 | 1    |
| 7   | 帽机旋梭轴               | Rotary Hook Shaft      | 103030005 | 1    |
| 8   | 铜套 D12-d8           | Oiled Bearing          | 105070014 | 2    |
| 9   | 伞齿轮 小               | Spiral Bevel GearB     | 102030005 | 1    |
| 10  | 伞齿轮 大               | Spiral Bevel GearA     | 102030004 | 1    |
| 11  | 旋梭粉末套               | Bushing                | 105030011 | 2    |
| 12  | 两眼挡圈                | Collar                 | 105030010 | 1    |
| 13  | 扣线电磁铁盖板             | Left Cover             | 103030026 | 1    |
| 14  | 帽机扣线电磁铁装配-24V       | Picker Solenoid Set    | 301070002 | 1    |
| 15  | 梭床垫圈 7mm            | Ring                   | 103030013 | 3    |

## 2 Trimming Parts 底线剪线

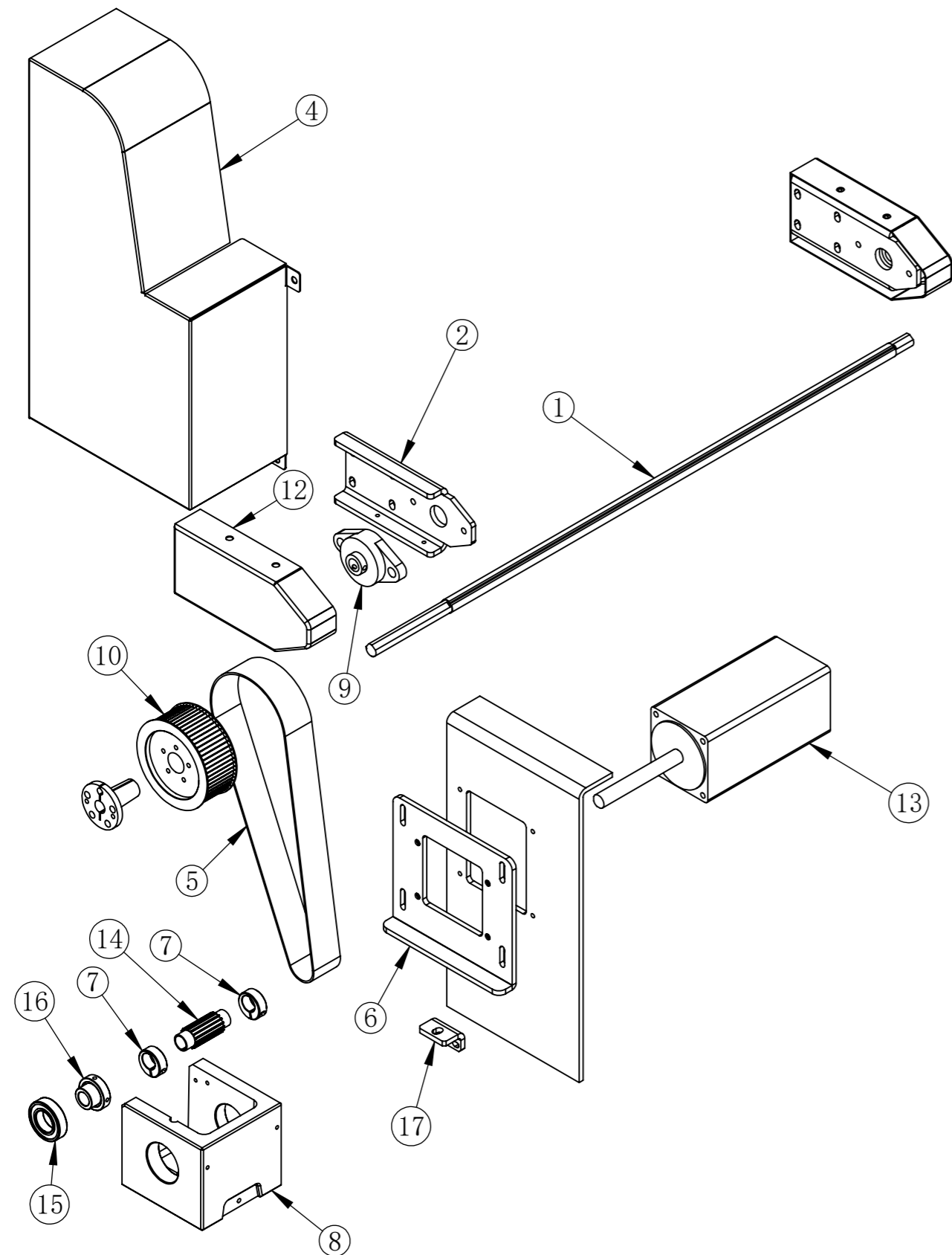


220826

## 2 Trimming Parts 底线剪线

| No. | Chinese Description | Description               | Part No.  | Qty. |
|-----|---------------------|---------------------------|-----------|------|
| 1   | 帽机梭床                | Cylinder Bed A            | 103030001 | 1    |
| 2   | 针板座 - 帽机配弧          | Needle Plate Bracket      | 103030036 | 1    |
| 3   | 弧形针板-多帽机            | Needle Plate (arc-shaped) | 103030034 | 1    |
| 4   | 定刀                  | Fixed Knife               | 103030018 | 1    |
| 5   | 动刀                  | Movable Knife             | 103030017 | 1    |
| 6   | 动刀驱动轴               | Movable Knife Drive Arm   | 103030015 | 1    |
| 7   | 动刀轴套                | Collar                    | 103030016 | 1    |
| 8   | 压片                  | Under Thread Presser      | 103030019 | 1    |
| 9   | 扣线器底板               | Picker Bracket            | 103030022 | 1    |
| 10  | 扣线器限位块              | Picker Stopper            | 103030023 | 1    |
| 11  | 扣线器连接销              | Pin                       |           | 1    |
| 12  | 扣线器座                | Picker Base               | 103030020 | 1    |
| 13  | 分线叉                 | Picker                    | 103030021 | 1    |
| 14  | 台阶螺丝                | Step screw                |           | 1    |
| 15  | 旋梭                  | Hook                      | 211010001 | 1    |
| 17  | 旋梭塑料护罩              | Hook Cover                | 103030025 | 1    |
| 18  | 1寸窄版合页              | Hinge                     | 103030039 | 1    |
| 19  | 圆强磁                 | Magnet                    | 103030038 | 1    |
| 20  | 弧形梭床中盖板 - 帽机用       | Mid Cover                 | 103030035 | 1    |
| 21  | 旋梭定位勾               | Rotary Hook Support       | 103030007 | 1    |
| 22  | 弧形针板-多帽机-高          | Needle Plate              | 103030037 |      |
| 23  | 帽机圆弧针板座组件           | Needle Plate Bracket Set  | 301020013 |      |
| 24  | 帽机扣线叉组件             | Picker Set                | 301020012 |      |

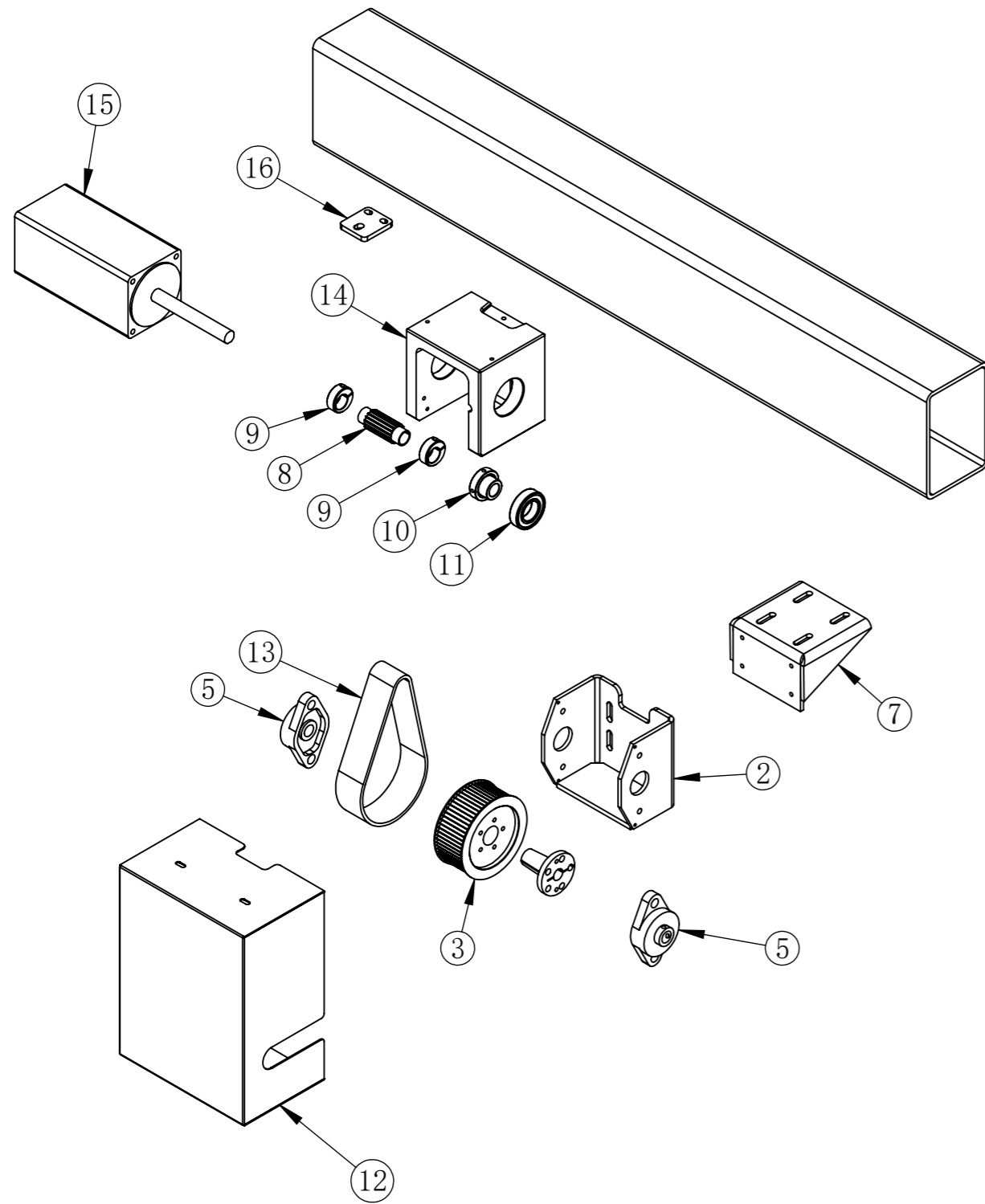
### 3-1 X Drive System X向电机驱动



### 3-1 X Drive System X向电机驱动

| No. | Chinese Description          | Description                | Part No.  | Qty |
|-----|------------------------------|----------------------------|-----------|-----|
| 1   | 花键轴Y450                      | Splined Shaft Y450         | 103200006 | 1   |
| 2   | X向线轨支架                       | Splined Shaft Support Base | 103180001 | 2   |
| 4   | X马达盖                         | X Motor Cover              | 103260001 | 1   |
| 5   | <del>X马达皮带 5M W40 L800</del> | Trimming Belt              | 204030001 | 1   |
| 6   | X向电机安装板                      | X Motor Base Plate         | 103180002 | 1   |
| 7   | 齿轮抱紧套                        | Retaining Ring             | 103180025 | 2   |
| 8   | 86伺服电机座(铝)                   | Motor Box                  | 103180027 | 1   |
| 9   | 万向轴承 UCFL202                 | UC Bearing 202             | 202110001 | 2   |
| 10  | 减速箱同步轮P64-5M-40              | Timing Pulley              | 103180007 | 1   |
| 12  | X花键轴轴承座盖板                    | Cover                      | 103260036 | 2   |
| 13  | XY伺服电机 - 加长轴                 | XY Motor                   |           | 1   |
| 14  | 同步轮5M 16T W43 d16            | Wheel                      | 103180024 | 1   |
| 15  | 轴承6005                       | Bearing                    | 202010007 | 1   |
| 16  | 轴承衬套D25-d16                  | Bushing                    | 103180026 | 1   |
| 17  | X向电机张紧调节块                    | Tension Plate              | 103180005 | 1   |

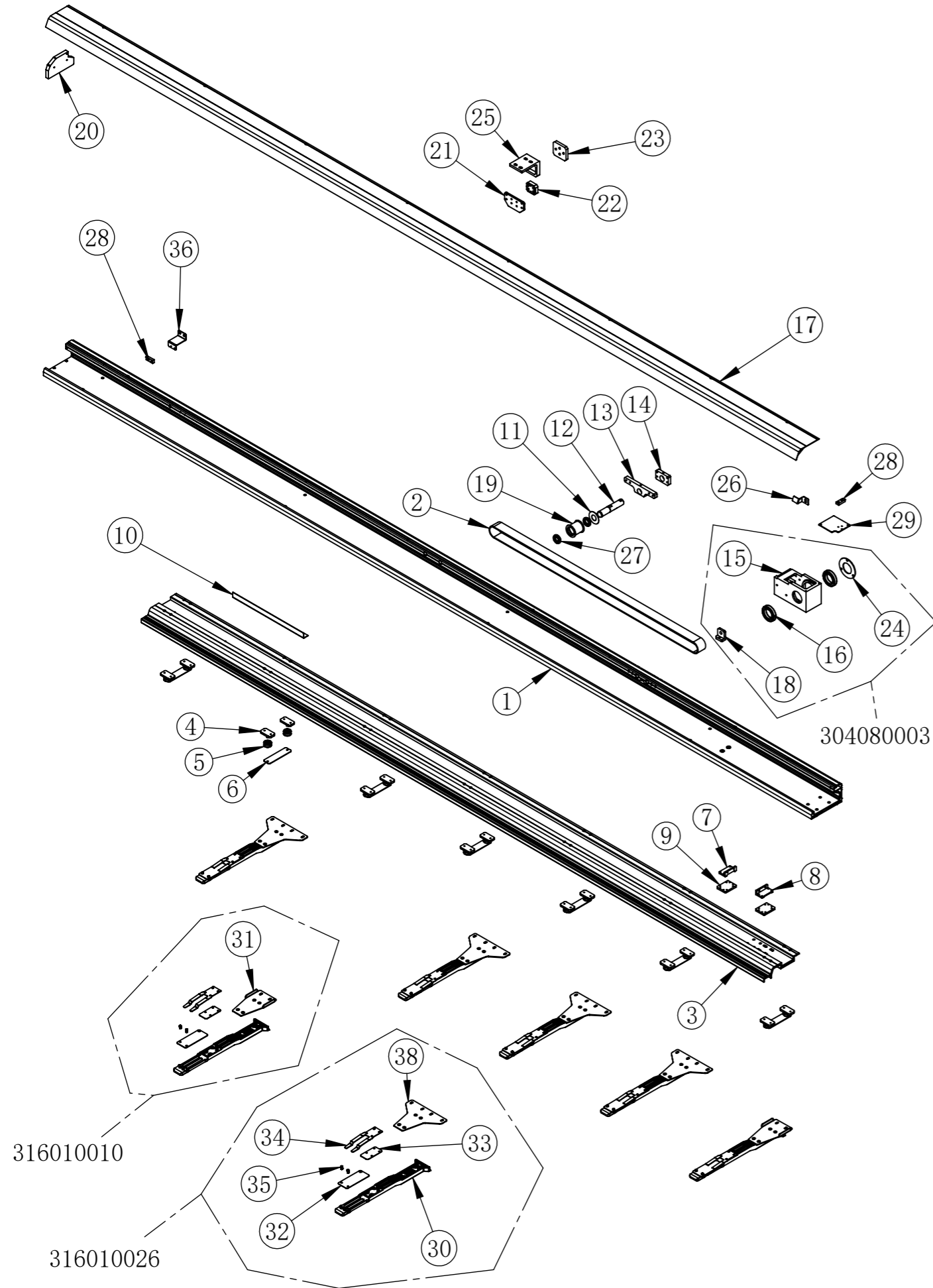
### 3-2 Y Drive System Y向电机驱动



### 3-2 Y Drive System Y向电机驱动

| No. | Chinese Description | Description         | Part No.   | Qty |
|-----|---------------------|---------------------|------------|-----|
| 1   | 后梁模拟                |                     |            | 1   |
| 2   | 钣金减速箱（大轮）           | Speed Reduction Box | 103180009  | 1   |
| 3   | 减速箱同步轮P64-5M-40     | Timing Pulley       | 103180007  | 1   |
| 5   | 万向轴承 UCFL202        | UC Bearing 202      | 202110001  | 2   |
| 7   | Y向电机支架              | Y Motor Support     | 103180008  | 1   |
| 8   | 同步轮5M 16T W43 d16   | Wheel               | 103180024  | 1   |
| 9   | 齿轮抱紧套               | Retaining Ring      | 103180025  | 2   |
| 10  | 轴承衬套D25-d16         | Bushing             | 103180026  | 1   |
| 11  | 轴承6005              | Bearing             | 202010007  | 1   |
| 12  | Y马达联体罩盖             | Cover               | 103260002  | 1   |
| 13  | Y向电机皮带              | Triming Belt        | 204030002  | 1   |
| 14  | 86伺服电机座（铝）          | Motor Box           | 103180027  | 1   |
| 15  | XY伺服电机 - 加长轴        | XY Motor            |            | 1   |
| 16  | Y向电机张紧调节块           | TENSION PLATE       | 0103180012 | 1   |

# 4 X Axis Duide Rail X向导轨

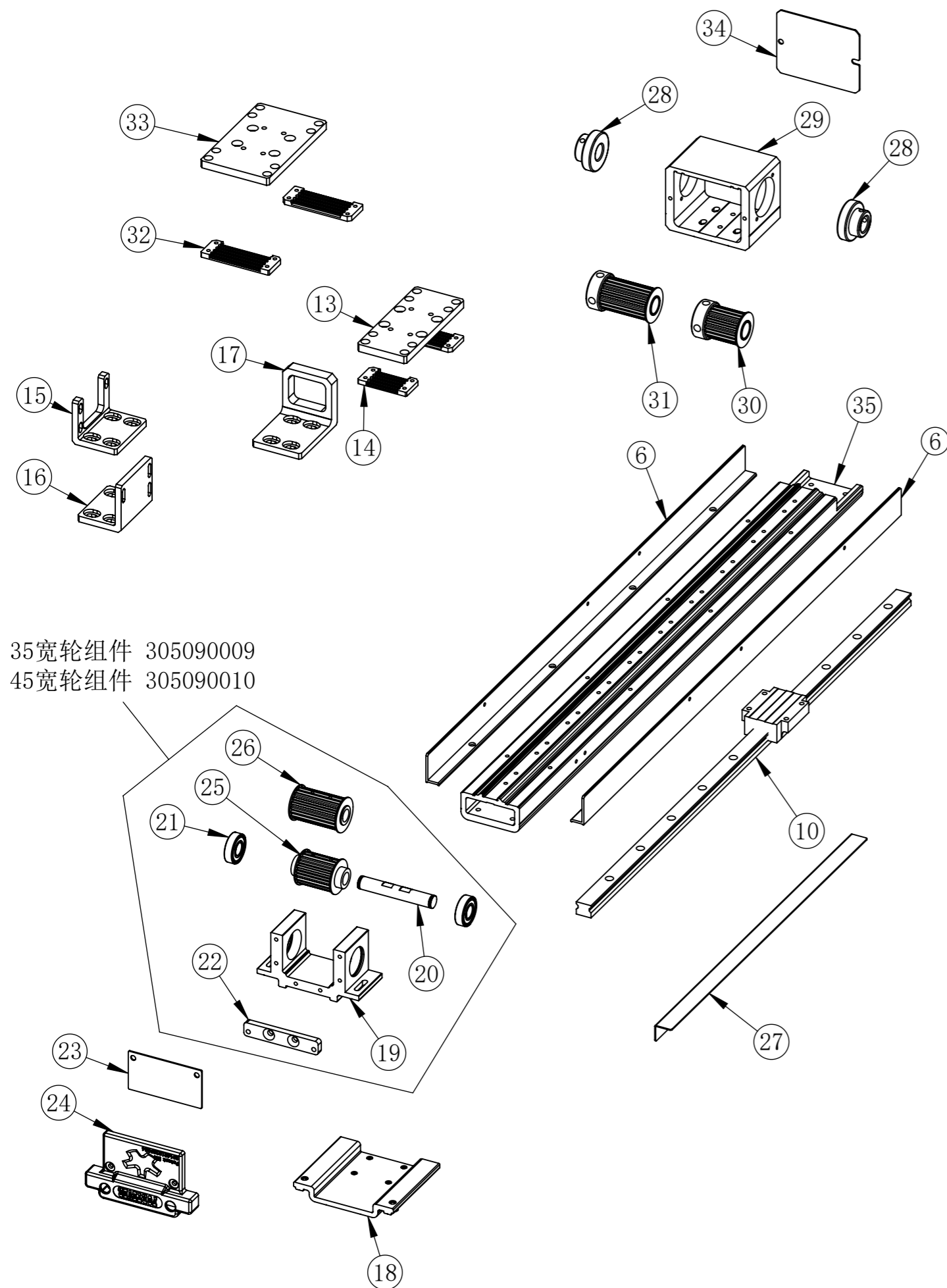


231020

# 4 X Axis Duide Rail X向导轨

| No. | Chinese Description | Description                   | Part No.  | Qty |
|-----|---------------------|-------------------------------|-----------|-----|
| 1   | 帽机框架底板              | Frame Base                    | 103190001 | 1   |
| 2   | 开口同步带T5-30          | Belt T5-30                    | 204010007 | 1   |
| 3   | 帽机框架动板              | Frame Moving Plate            | 103190002 | 1   |
| 4   | 轴承座方块               | Bearing Block                 | 103200001 | 14  |
| 5   | U型槽轴承SG66           | U Bearing SG66                | 202140001 | 14  |
| 6   | 轴承衬板                | Bearing Connect Plate         | 103200002 | 7   |
| 7   | 调节齿板 30带宽           | Belt Adjust Plate A           | 103200003 | 1   |
| 8   | 调节齿板 30带宽 - B       | Belt Adjust Plate B           | 103200004 | 1   |
| 9   | 皮带调节固定端底板           | Belt Adjust Plate Base        | 103200005 | 2   |
| 10  | 接近感应角条              | Limit Buffer                  | 103200019 | 1   |
| 11  | 被动轮隔离垫片             | Washer                        | 103200017 | 1   |
| 12  | 被动轮轴D17             | Pulley Shaft D17              | 103200007 | 1   |
| 13  | 被动轮轴内侧衬板            | Shaft Inner Lining Plate      | 103200008 | 1   |
| 14  | 被动轮轴外侧衬板            | Outside Lining Plate          | 103200009 | 1   |
| 15  | 主动轮座                | Driver Pulley Box             | 103200010 | 1   |
| 16  | 轴承 6906             | Bearing 6906                  | 202010002 | 2   |
| 17  | 帽机框架盖               | Frame Cover                   | 103190003 | 1   |
| 18  | 主动轮座支架              | Box Support                   | 103200011 | 1   |
| 19  | 光面被动轮               | Driven Wheel                  | 103200012 | 1   |
| 20  | 帽框左侧板座              | Left Side Plate               | 103200013 | 1   |
| 21  | 驱动中联接过渡板            | Mid Connect Plate             | 103200014 | 1   |
| 22  | 驱动中连接键              | Mid Connect Key Block         | 103200015 | 1   |
| 23  | 驱动中连接键压板            | Mid Connect Key Presser Plate | 103200016 | 1   |
| 24  | 轴承压板                | Bearing Presser               | 103200018 | 1   |
| 25  | 驱动联接角铁(中)           | Angle Joint Plate Mid         | 103170006 | 1   |
| 26  | 盖板右固定板              | Cover Support                 | 103200020 | 1   |
| 27  | 轴承 6803             | Bearing 6803                  | 202010018 | 2   |
| 28  | 接近感应器 SP08-D3NA     | Limit Sensor                  | 207030005 | 2   |
| 29  | 主动轮座盖板              | Box Cover                     | 103200022 | 1   |
| 30  | 双拼扶手(铸铝)            | Frame Bracket AL              | 103200039 | 7   |
| 31  | 铸铝扶手联接板             | Bracket Connect Plate         | 103200040 | 2   |
| 32  | 前底板T0.8             | Front Plate                   | 103200041 | 7   |
| 33  | 压头板下压板              | Lower Plate                   | 103200042 | 7   |
| 34  | 双拼压头板T1.0           | Pressor Plate                 | 103200043 | 7   |
| 35  | 圆头D6H6螺丝            | Screw Pin                     | 103200044 | 21  |
| 36  | X接近感应器支架            | Sensor Support                | 103200045 | 1   |
| 38  | 铸铝扶手联接板 - 4孔        | Bracket Connect Plate-4Hole   | 103200055 | 5   |

# 5 Y Axis Guide Rail Y向导轨



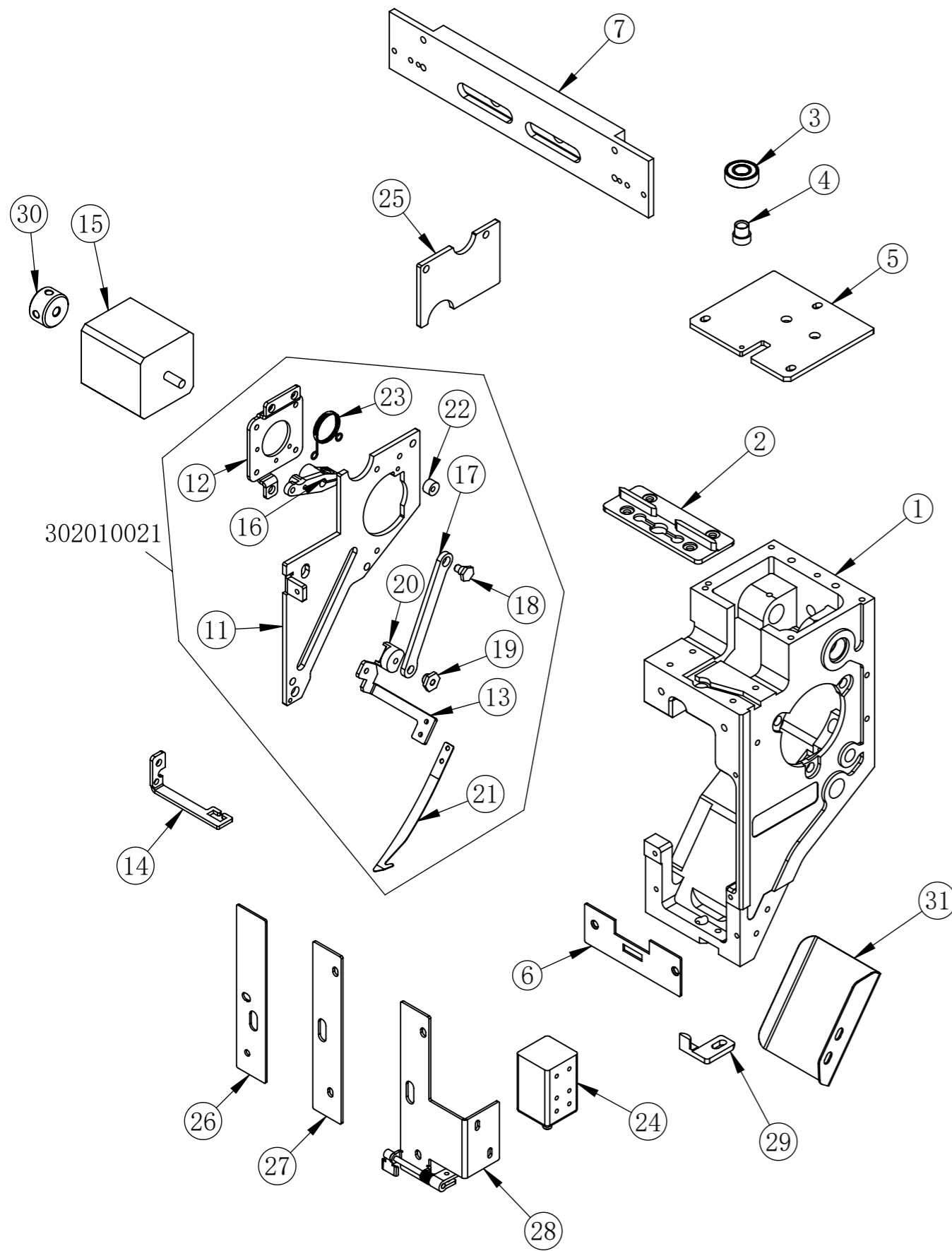
35宽轮组件 305090009  
45宽轮组件 305090010

# 5 Y Axis Guide Rail Y向导轨

| No. | Chinese Description | Description             | Part No.  | Qty |
|-----|---------------------|-------------------------|-----------|-----|
| 1   | 1#铝制导轨底座L565        | Y Drive Base 1#         | 103150011 | 1   |
| 35  | 2#铝制导轨底座L665        | Y Drive Base 2#         | 103150012 | 1   |
| 3   | 3#铝制导轨底座L635        | Y Drive Base 3#         | 103150013 |     |
| 4   | 4#铝制导轨底座L845        | Y Drive Base 4#         | 103150014 |     |
| 5   | 侧护板1#               | Side Cover              | 103150015 |     |
| 6   | 侧护板2#               | Side Cover              | 103150016 | 2   |
| 7   | 侧护板3#               | Side Cover              | 103150017 |     |
| 8   | 侧护板4#               | Side Cover              | 103150018 |     |
| 9   | 直线导轨H15L520         | Liner Way H15           | 203040001 |     |
| 10  | 直线导轨H15L620         | Liner Way H15           | 203040002 | 1   |
| 11  | 直线导轨H15L590         | Liner Way H15           | 203040003 |     |
| 12  | 直线导轨H15L800         | Liner Way H15           | 203040004 |     |
| 13  | 帽机Y导轨压板-W30         | Y-axis Feed Plate       | 103170002 | 1   |
| 14  | 独立齿板 30带宽           | Belt Plate              | 103170003 | 2   |
| 15  | 驱动联接角铁 (左)          | Angle Joint Plate Left  | 103170004 | 1   |
| 16  | 驱动联接角铁 (右)          | Angle Joint Plate Right | 103170005 | 1   |
| 17  | 驱动联接角铁 (中)          | Angle Joint Plate Mid   | 103170006 | 1   |
| 18  | 导轨被动轮支架底座           | Holder Base             | 103170007 | 1   |
| 19  | 导轨被动轮支架             | Holder:Tension Pulley   | 103170008 | 1   |
| 20  | 被动轮轴                | Pulley Shaft D12        | 103170010 | 1   |
| 21  | 轴承6001 D28d12H8     | Bearing 6001            | 202010001 | 2   |
| 22  | 调节板                 | Adjust Plate            | 103170011 | 1   |
| 23  | 被动轮支架端盖             | Cover                   | 103170014 | 1   |
| 24  | 被动轮前塑料端盖            | Cover                   | 103170019 | 1   |
| 25  | 被动轮5M20TW35         | Pulley                  | 103170009 | 1   |
| 26  | 被动轮S5M20TW47        | Pulley S5MW47           | 103170021 | 1   |
| 27  | 接近感应角条 - Y向         | Limit Buffer            | 109170004 | 1   |
| 28  | 联体轴承 S6904          | Bearing                 | 202150021 | 2   |
| 29  | 主动轮座 - 铝制整体         | Bearing Base            | 103150010 | 1   |
| 30  | 主动动轮5M20TW32d15     | Pulley                  | 103170001 | 1   |
| 31  | 主动动轮5M20TW47d15     | Pulley W47 d15          | 103170022 | 1   |
| 32  | 独立齿板 50带宽           | Belt Plate              | 103170023 | 2   |
| 33  | 帽机Y导轨压板-W45         | Y-axis Feed Plate       | 103170024 | 1   |
| 34  | 主动轮座盖板              | Side Cover              | 103170016 | 1   |



6-1 Arm 1 机头1

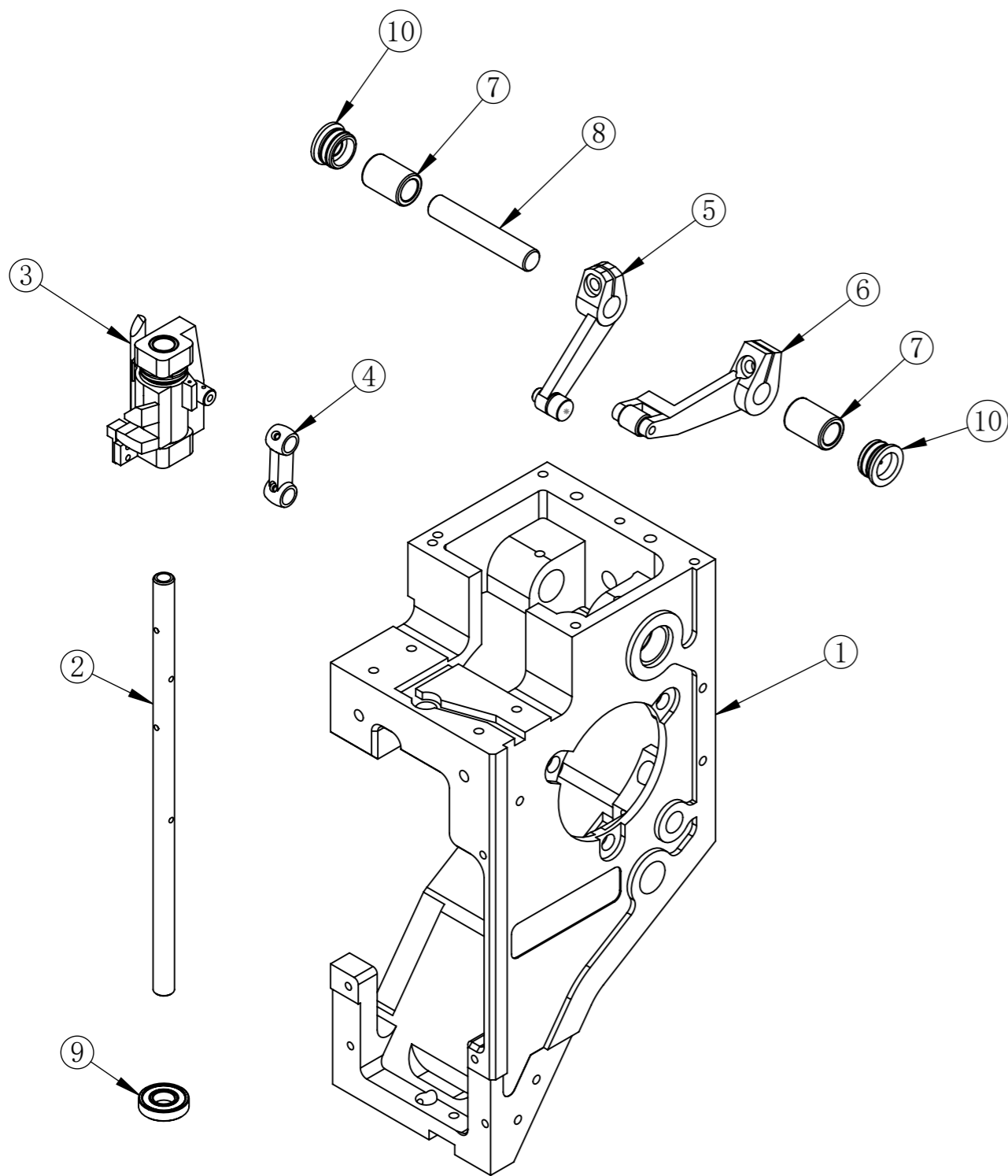


221021

6-1 Arm 1 机头1

| No. | Chinese Description | Description              | Part No.  | Qty |
|-----|---------------------|--------------------------|-----------|-----|
| 1   | 机头壳47ST             | Head                     | 102010001 | 1   |
| 2   | 换色导条                | Take-up Lever Guide Rail | 102010007 | 1   |
| 3   | 轴承698               | Bearing                  | 202010016 | 1   |
| 4   | 自扣轴承销               | Roller Pin               | 102010003 | 1   |
| 5   | 机头上盖板               | Head Up Cover            | 102010002 | 1   |
| 6   | 机头前下导板              | Plate                    | 102010005 | 1   |
| 7   | 机头上导轨9针 不带夹板耳       | Slide Rail 9N(Single)    | 203030005 |     |
| 7   | 机头上导轨 9针            | Slide Rail 9N            | 203030001 | 1   |
| 8   | 机头上导轨6针 不带夹板耳       | Slide Rail 6N(Single)    | 203030008 |     |
| 8   | 机头上导轨6针             | Slide Rail 6N            | 203030004 |     |
| 9   | 机头上导轨12针不带夹板耳       | Slide Rail 12N(Single)   | 203030006 |     |
| 9   | 机头上导轨 12针           | Slide Rail 12N           | 203030002 |     |
| 10  | 机头上导轨15针不带夹板耳       | Slide Rail 15N(Single)   | 203030007 |     |
| 10  | 机头上导轨 15针           | Slide Rail 15N           | 203030003 |     |
| 11  | 电机勾线板               | Side Cover               | 102010009 | 1   |
| 12  | 勾线电机座               | Base: Hook Motor         | 102040001 | 1   |
| 13  | 电机勾线勾刀连杆            | Hook Support             | 102040002 | 1   |
| 14  | 电机勾线勾刀导向板           | Guide:Hook               | 102040003 | 1   |
| 15  | 47机头勾线电机            | Motor                    | 206010005 | 1   |
| 16  | 电机勾线驱动连杆            | Driver Lever:Hook        | 102040004 | 1   |
| 17  | 电机勾线中间连杆            | Connecting Plate : Hook  | 102040005 | 1   |
| 18  | 连杆轴螺丝               | Stepped Screw            | 102040006 | 1   |
| 19  | 连杆轴圈                | Spacer                   | 102040007 | 1   |
| 20  | 尼龙滑块                | Slide                    | 102040008 | 1   |
| 21  | 弧形勾刀                | Hook                     | 102040009 | 1   |
| 22  | 橡胶缓冲套               | Damper Ring              | 102090013 | 1   |
| 23  | 勾线扭簧-高速机            | Spring                   | 102040015 | 1   |
| 24  | 面线夹电磁铁 (大)          | Solenoid                 | 206150002 | 1   |
| 25  | 机头上侧板               | Side Cover               | 102010008 | 1   |
| 26  | 机头前盖L               | Head Front Cover         | 102050001 | 1   |
| 27  | 机头前盖R               | Head Front R             | 102010004 | 1   |
| 28  | 锁线装置组件 (右置大)        | Open Frame Driven Set    | 302010046 | 1   |
| 29  | 高速针杆架定位勾            | Needle Bar Case          | 102010006 | 1   |
| 30  | 电机手动旋钮              | Handle                   | 105040001 | 1   |
| 31  | 勾线器后挡板              | Back Side Cover          | 102040012 | 1   |

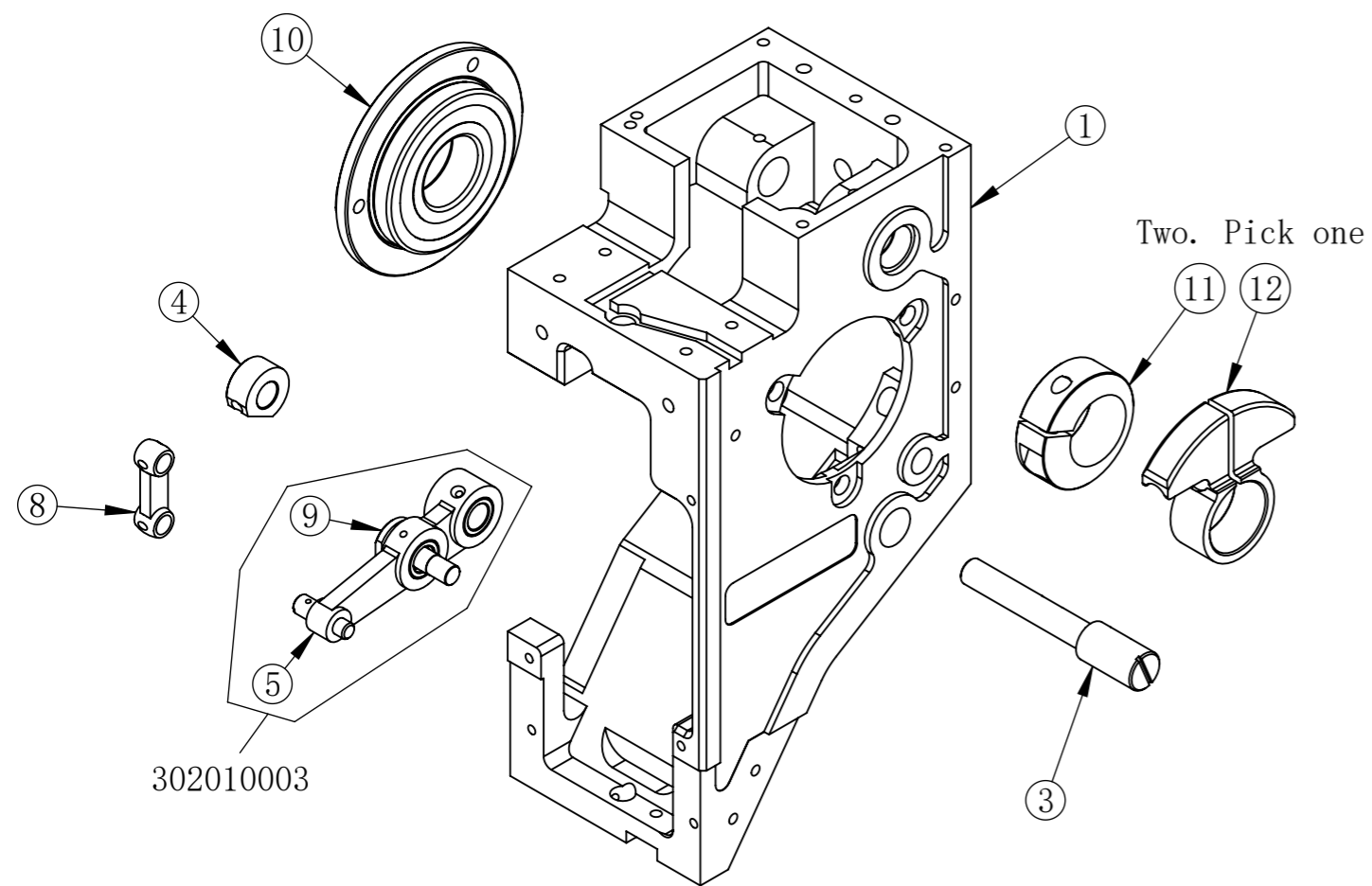
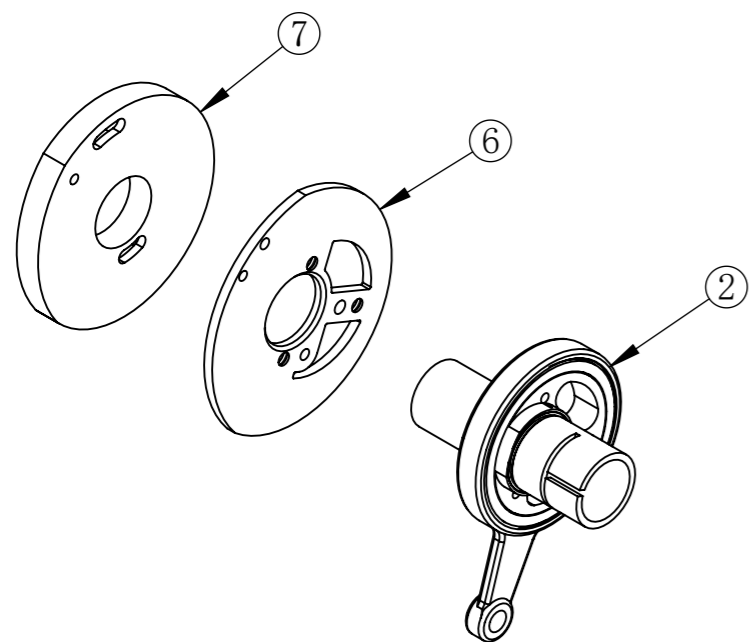
6-2 Arm 2 机头2



6-2 Arm 2 机头2

| No. | Chinese Description | Description                   | Part No.  | Qty |
|-----|---------------------|-------------------------------|-----------|-----|
| 1   | 机头壳47ST             | Head                          | 102010001 | 1   |
| 2   | 针杆驱动轴               | Needle Bar Drive Shaft        | 105010027 | 1   |
| 3   | 针杆驱动器组件-47机头        | Needle Bar Rectiparocator Set | 302010007 | 1   |
| 4   | 针杆驱动连杆(小连杆)         | Connecting Rod                | 102010035 | 1   |
| 5   | 挑线杆A组件              | Take Up Lever A Set           | 302010005 | 1   |
| 6   | 挑线杆B组件              | Take Up Lever B Set           | 302010006 | 1   |
| 7   | 挑线杆轴衬套              | Bearing Case Bushing          | 102010023 | 2   |
| 8   | 挑线杆轴                | Straight Pin                  | 102010018 | 1   |
| 9   | 下导轨轴承               | Bearing                       | 202010004 | 1   |
| 10  | 挑线轴塑料堵头             | Cover                         | 102010022 | 2   |

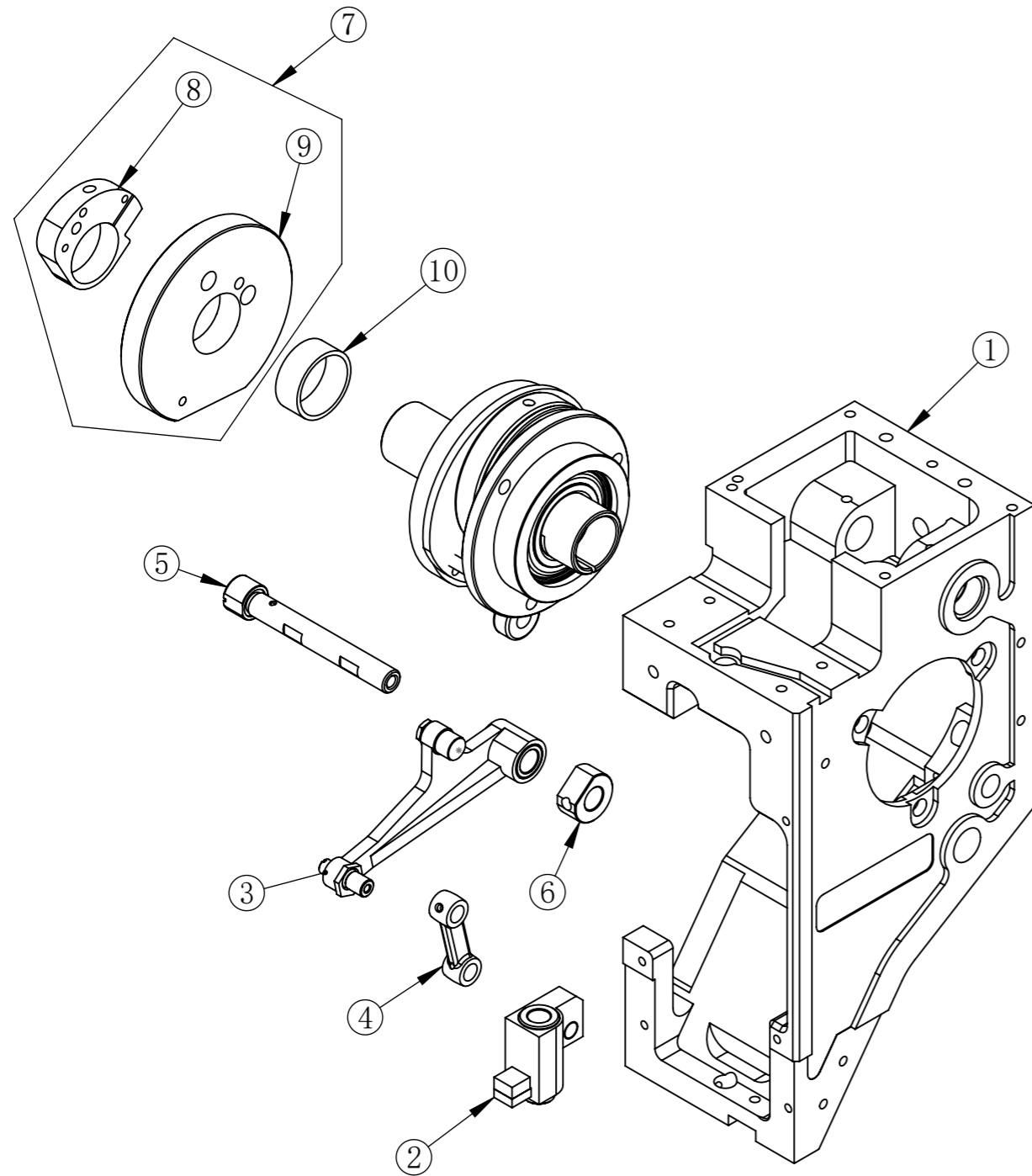
6-3 Arm 3 机头3



6-3 Arm 3 机头3

| No. | Chinese Description | Description          | Part No.  | Qty |
|-----|---------------------|----------------------|-----------|-----|
| 1   | 机头壳47ST             | Head                 | 102010001 | 1   |
| 2   | TLB加长凸轮连杆轴承         | BOM Cam Set          | 302010002 | 1   |
| 3   | 三眼连杆定位轴             | Stepper Pin          | 102010030 | 1   |
| 4   | 定位挡圈M5              | Stopper Collar       | 102010032 | 1   |
| 5   | 三眼连杆组件              | Lever Needle Bar Set | 302010003 | 1   |
| 6   | 凸轮盖板 (配BOM)         | CAM BASE             | 102010027 | 1   |
| 7   | 挑线凸轮                | Cam:Take-Up Lever    | 102010028 | 1   |
| 8   | 针杆驱动连杆(小连杆)         | Connecting Rod       | 102010035 | 1   |
| 9   | 1号销                 | Stepped Screw        | 102010033 | 0   |
| 10  | F70/22法兰联体轴承        | Bearing Case Set     | 302010001 | 1   |
| 11  | 偏心夹头                | Tightening Collar    | 102010024 | 1   |
| 12  | 轴径18锁紧套 - 带平衡       | Tightening Collar    | 102010051 | 1   |

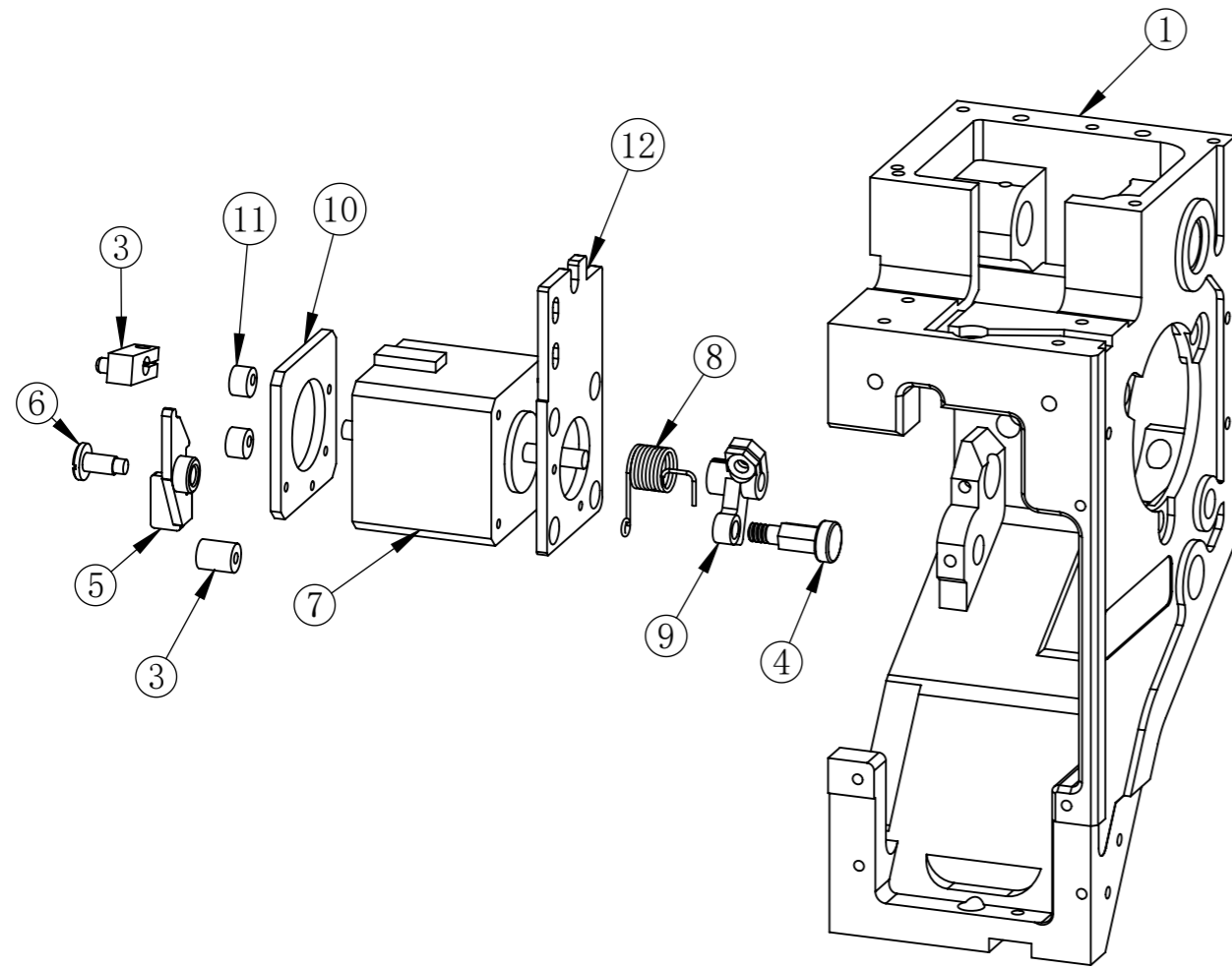
6-4 Arm 4 机头4



6-4 Arm 4 机头4

| No. | Chinese Description | Description                     | Part No.  | Qty |
|-----|---------------------|---------------------------------|-----------|-----|
| 1   | 机头壳47ST             | Head                            | 102010001 | 1   |
| 2   | 压脚驱动器组件             | PRESSER FOOT DRIVER SLIDE BOLCK | 302010009 | 1   |
| 3   | 压脚连杆组件              | Connecting Rod                  | 302010010 | 1   |
| 4   | 压脚小连杆-孔距24.5        | Connecting Rod                  | 102010044 | 1   |
| 5   | 压脚连杆定位轴             | Presser Foot Fixing Pin         | 102010043 | 1   |
| 6   | 定位挡圈M5              | Stopper Collar                  | 102010032 | 1   |
| 7   | 47压脚凸轮铝圈组件          | Cam Set                         | 302010004 | 1   |
| 8   | 压脚凸轮固定座             | Base:Cam                        | 102010040 |     |
| 9   | 压脚凸轮                | Cam                             | 102010041 |     |
| 10  | 凸轮隔圈                | Collar                          | 102010042 | 1   |

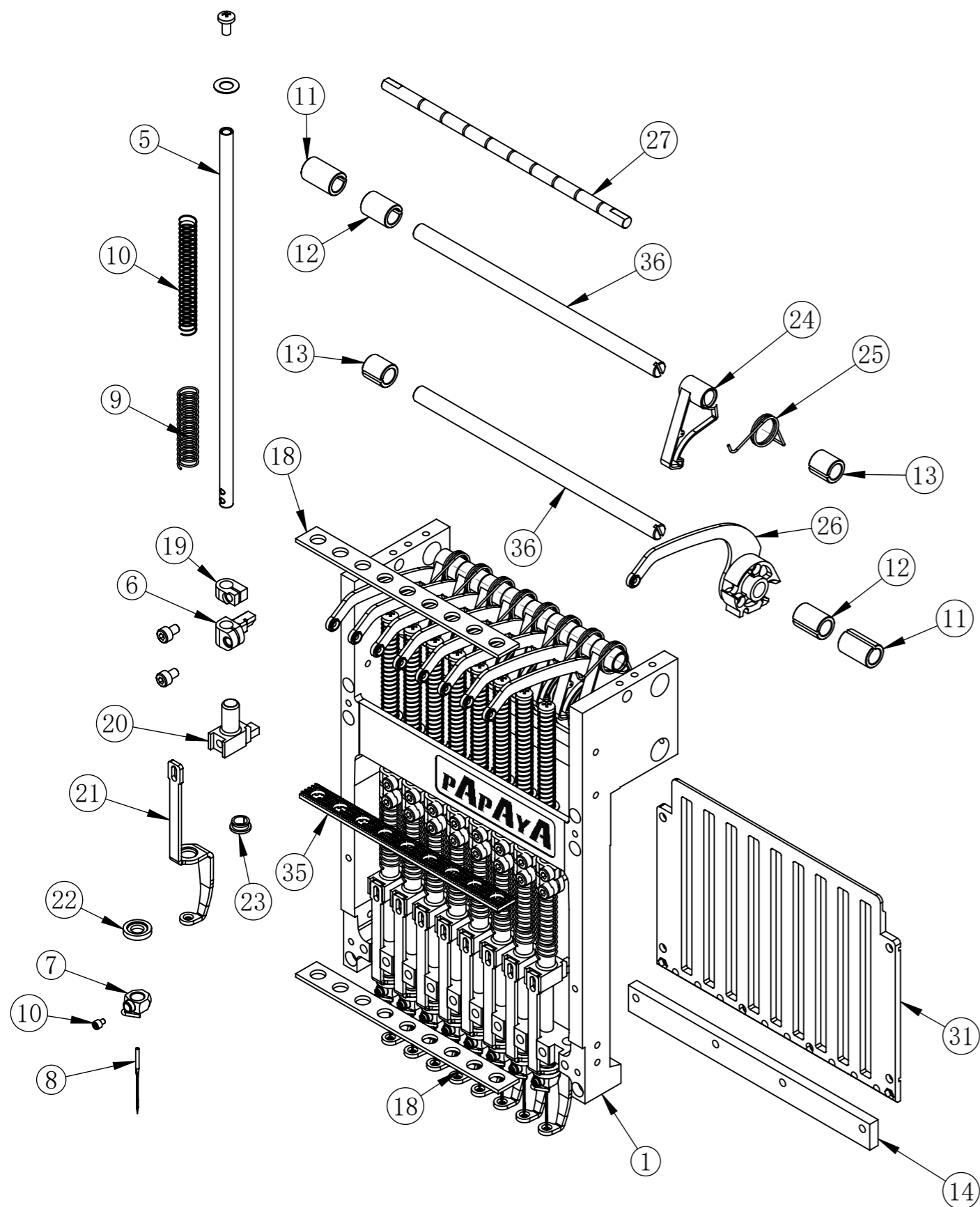
6-5 Jump Motor 跳跃电机



6-5 Jump Motor 跳跃电机

| No. | Chinese Description | Description          | Part No.  | Qty |
|-----|---------------------|----------------------|-----------|-----|
| 1   | 机头壳47ST             | Head                 | 102010001 | 1   |
| 3   | 止动销                 | Stop Pin             | 102090005 | 1   |
| 3   | 控制柄                 | Lever For Jump Motor | 102090006 | 1   |
| 4   | 驱动连杆轴承              | Jump Bearing         | 102090007 | 1   |
| 5   | 手动柄                 | Clutch Lever         | 102090008 | 1   |
| 6   | 手动销                 | Stepped Screw        | 102090009 | 1   |
| 7   | 47机头跳跃电机            | Jump Motor           | 206010002 | 1   |
| 8   | 跳跃回位弹簧              | Torsion Spring       | 102090010 | 1   |
| 9   | 跳跃驱动连杆              | Lever Jump           | 102090011 | 1   |
| 10  | 限位安装侧板              | Rear Board           | 102090012 | 1   |
| 11  | 橡胶缓冲套               | Damper Ring          | 102090013 | 2   |
| 12  | 跳跃电机安装板             | Jump Motor Bracker   | 102090004 | 1   |

7-1 Needle Bar Case 1 针架1

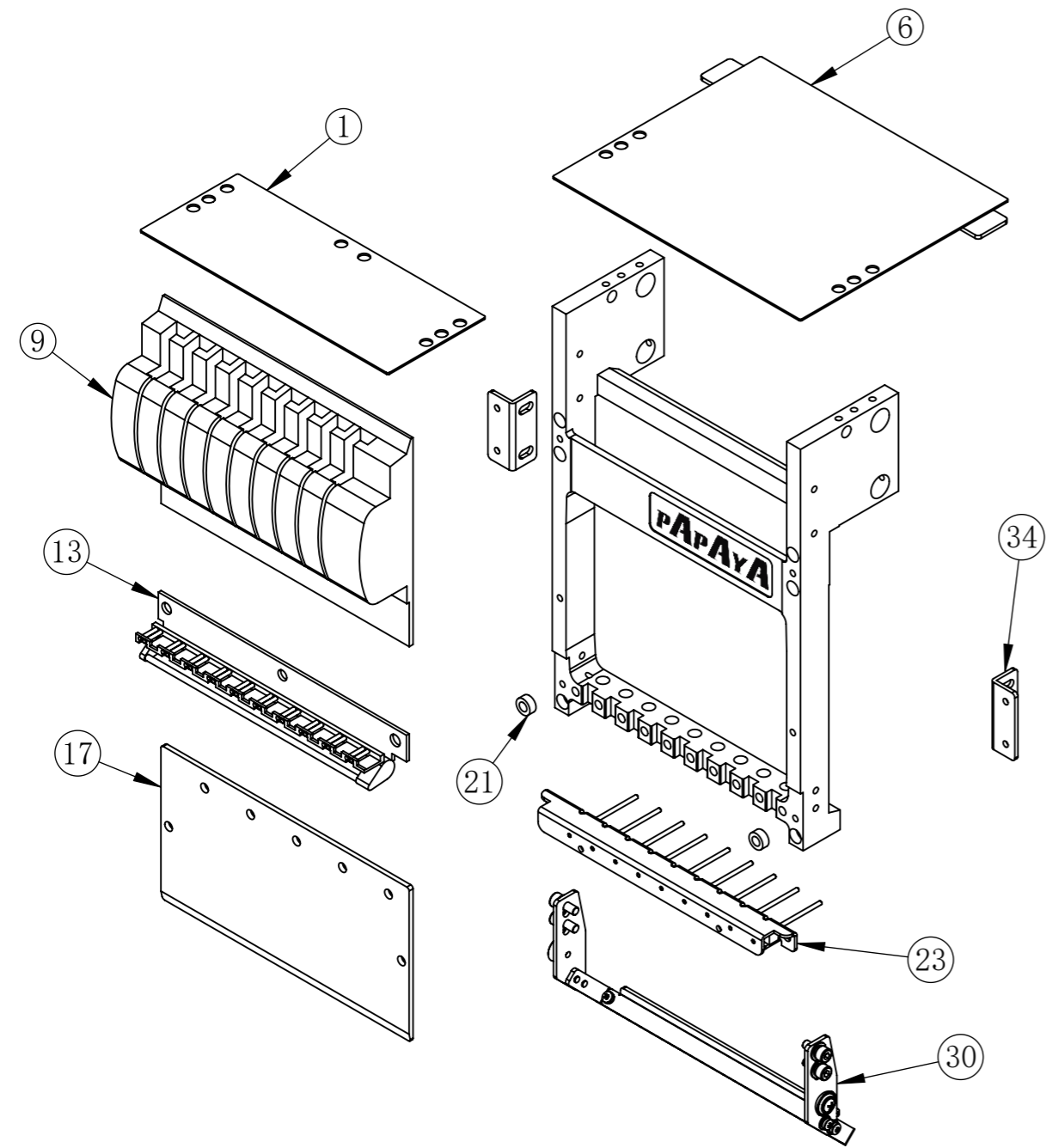


220808

7-1 Needle Bar Case 1 针架1

| No. | Chinese Description | Description                     | Part No.  | Qty |
|-----|---------------------|---------------------------------|-----------|-----|
| 1   | 针杆架 9针              | Needle Bar Case 9N              | 102020001 | 1   |
| 2   | 针杆架 6针              | Needle Bar Case 6N              | 102020002 |     |
| 3   | 针杆架 12针             | Needle Bar Case 12N             | 102020003 |     |
| 4   | 针杆架 15针             | Needle Bar Case 15N             | 102020004 |     |
| 5   | 针杆L217              | Needle Bar                      | 105020005 | 9   |
| 6   | 下死点                 | Needle Bar Connecting Stu       | 102020009 | 9   |
| 7   | 针夹 (连螺钉)            | Needle Clamp                    | 102020016 | 9   |
| 8   | 机针-11#              | Needle                          | 211090005 | 9   |
| 9   | 压脚弹簧                | Compression Sprin               | 102020010 | 9   |
| 10  | 针杆上弹簧               | Upper Spring                    | 102020005 | 9   |
| 11  | 开口轴衬L19             | Split Collar                    | 102020019 | 2   |
| 12  | 开口轴衬L16             | Split Collar                    | 102020022 | 2   |
| 13  | 开口轴衬L12             | Split Collar                    | 102020017 | 2   |
| 14  | 下导轨条 9N             | Needle Bar Lower Guide Rail     | 203030021 | 1   |
| 15  | 下导轨条 6N             | Needle Bar Lower Guide Rail 6N  | 203030024 |     |
| 16  | 下导轨条 12N            | Needle Bar Lower Guide Rail 12N | 203030022 |     |
| 17  | 下导轨条 15N            | Needle Bar Lower Guide Rail 15N | 203030023 |     |
| 18  | 下毛毡垫 9N             | Felt Packing                    | 102020015 | 2   |
| 19  | 上死点                 | Stopper Upper Poin              | 102020008 | 9   |
| 20  | 压脚调节套               | Presser Foot Set Clamp          | 102020013 | 18  |
| 21  | 压脚-56               | Presser Foot                    | 102020014 | 9   |
| 22  | 压脚下弹圈               | Washer                          | 102020057 | 9   |
| 23  | 压脚中塑料套              | Presser Foot Bushing            | 102020012 | 9   |
| 24  | 自扣                  | Lever Stopper                   | 102020032 | 9   |
| 25  | 自扣弹簧                | Torsion Spring                  | 102020033 | 9   |
| 26  | 挑线杆片                | Take-Up Lever                   | 105010033 | 9   |
| 27  | 弹簧挡杆 9N             | Spring Hook Bar                 | 102020029 | 1   |
| 28  | 弹簧挡杆 6N             | Spring Hook Bar 6N              | 102020036 |     |
| 29  | 弹簧挡杆 12N            | Spring Hook Bar 12N             | 102020037 |     |
| 30  | 弹簧挡杆 15N            | Spring Hook Bar 15N             | 102020038 |     |
| 31  | 针杆导板 9针             | Needle Bar Guide 9N             | 102020023 | 1   |
| 32  | 针杆导板 6针             | Needle Bar Guide 6N             | 102020024 |     |
| 33  | 针杆导板 12针            | Needle Bar Guide 12N            | 105020008 |     |
| 34  | 针杆导板 15针            | Needle Bar Guide 15N            | 105020009 |     |
| 35  | 麻垫                  | Damper Ring                     | 102020007 | 1   |
| 36  | 挑线杆导向轴 9N           | Guide Shaft                     | 102020018 | 2   |
| 37  | 挑线杆导向轴 6N           | Guide Shaft 6N                  | 102020034 |     |
| 38  | 挑线杆导向轴 12N          | Guide Shaft 12N                 | 102020035 |     |
| 39  | 挑线杆导向轴 15N          | Guide Shaft 15N                 | 102020040 |     |

7-2 Needle Bar Case 2 针架2

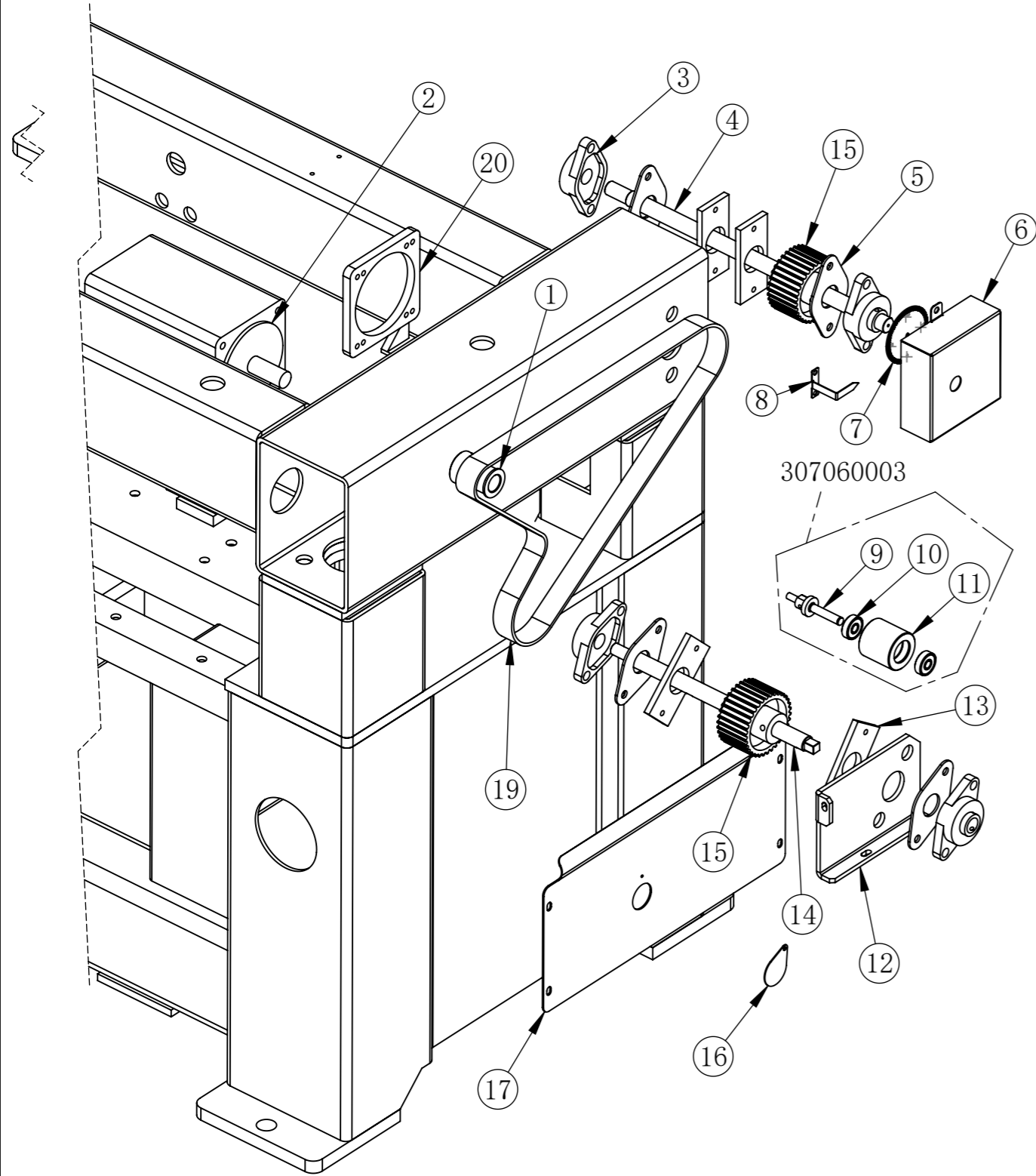


7-2 Needle Bar Case 2 针架2

| No. | Chinese Description | Description             | Part No.  | Qty |
|-----|---------------------|-------------------------|-----------|-----|
| 1   | 针架上隔板 9N            | Top Cover 9N            | 102020053 | 1   |
| 2   | 针架上隔板 6N            | Top Cover 6N            | 102020054 |     |
| 4   | 针架上隔板 12N           | Top Cover 12N           | 102020055 |     |
| 5   | 针架上隔板 15N           | Top Cover 15N           | 102020056 |     |
| 6   | 针架上隔板(宽) 9N         | Top Cover               | 102020063 | 1   |
| 7   | 针架上隔板(宽) 12N        | Top Cover W12N          | 102020062 |     |
| 8   | 针架上隔板(宽) 15N        | Top Cover W15N          | 102020061 |     |
| 9   | 针架上面板 9N            | Take-Up Lever Cover 9N  | 102020044 | 1   |
| 10  | 针架上面板 6N            | Take-Up Lever Cover 6N  | 102020045 |     |
| 11  | 针架上面板 12N           | Take-Up Lever Cover 12N | 102020046 |     |
| 12  | 针架上面板 15N           | Take-Up Lever Cover 15N | 102020047 |     |
| 13  | 中过线组件 9N带簧式         | Middle Thread Guide 9N  | 302010031 | 1   |
| 14  | 中过线组件 6N带簧式         | Middle Thread Guide 6N  | 302010034 |     |
| 15  | 中过线组件 12N带簧式        | Middle Thread Guide 12N | 302010032 |     |
| 16  | 中过线组件 15N带簧式        | Middle Thread Guide 15N | 302010033 |     |
| 17  | 针架下面板 9N            | Under Cover 9N          | 102020048 | 1   |
| 18  | 针架下面板 6N            | Under Cover 6N          | 102020049 |     |
| 19  | 针架下面板 12N           | Under Cover 12N         | 102020050 |     |
| 20  | 针架下面板 15N           | Under Cover 15N         | 102020051 |     |
| 21  | 垫圈D9d5H4            | Washer                  |           | 2   |
| 22  | 面线架组件 9针 左置         | Thread Lock 9N Left     | 302010051 |     |
| 23  | 面线夹持组件 9针 右置        | Thread Lock 9N Right    | 302010052 | 1   |
| 24  | 面线夹持组件 6针 左置        | Thread Lock 6N Left     | 302010049 |     |
| 25  | 面线夹持组件 6针 右置        | Thread Lock 6N Right    | 302010050 |     |
| 26  | 面线夹持组件 12针 左置       | Thread Lock 12N Left    | 302010053 |     |
| 27  | 面线夹持组件 12针 右置       | Thread Lock 12N Right   | 302010054 |     |
| 28  | 面线夹持组件 15针 左置       | Thread Lock 15N Left    | 302010055 |     |
| 29  | 面线夹持组件 15针 右置       | Thread Lock 15N Right   | 302010056 |     |
| 30  | 下毛刷组件 9N            | Thread Holder 9N        | 302010041 | 1   |
| 31  | 下毛刷组件 6N            | Thread Holder 6N        | 302010044 |     |
| 32  | 下毛刷组件 12N           | Thread Holder 12N       | 302010042 |     |
| 33  | 下毛刷组件 15N           | Thread Holder 15N       | 302010043 |     |
| 34  | 七字板支架               | Cover Bracket           | 103260033 | 2   |



## 8 Gear Box 齿轮箱

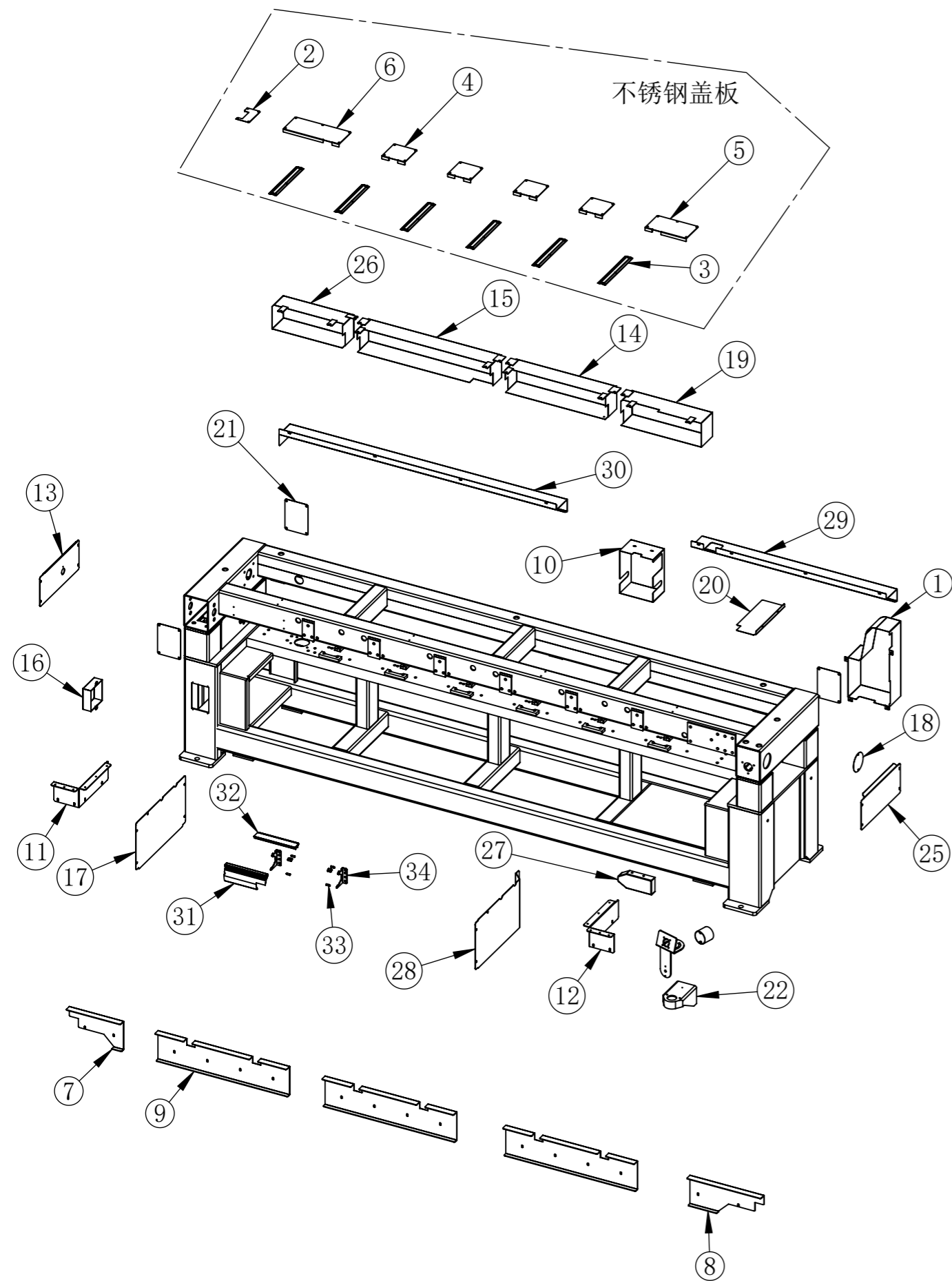


## 8 Gear Box 齿轮箱

| No. | Chinese Description | Description           | Part No.  | Qty |
|-----|---------------------|-----------------------|-----------|-----|
| 1   | 主马达同步轮8M17T         | Timing Pulley         | 103250001 | 1   |
| 2   | 主马达                 | Main Motor            |           | 1   |
| 3   | 万向轴承204             | Bearing UCFL204       | 202110002 | 4   |
| 4   | 齿轮箱上轴               | Top Shaft             | 103250002 | 1   |
| 5   | 轴承衬板T3              | Bearing Washer        | 103250017 | 4   |
| 6   | 悬挂帽机刻度盘盖            | Angle Cover           | 103260003 | 1   |
| 7   | 刻度盘 直径75            | Angle Indicator       | 103250003 | 1   |
| 8   | 刻度盘指针               | Pointer               | 103250004 | 1   |
| 9   | 张紧轮轴                | Screw With Pin        | 103250018 | 1   |
| 10  | 轴承6200              | Bearing               | 202010044 | 2   |
| 11  | 张紧轮D50d30L50        | Flat Pulley           | 103250019 | 1   |
| 12  | 帽机下轴齿轮支架            | Pulley Support Palte  | 103250005 | 1   |
| 13  | 轴承联接板T8             | Connecting Coupling A | 103250020 | 4   |
| 14  | 齿轮箱下轴               | Bottom Shaft          | 103250006 | 1   |
| 15  | 主轴皮带轮M8T34          | Timing Pulley         | 103250007 | 2   |
| 16  | 扳手孔盖                | Lid:Handle            | 103260010 | 1   |
| 17  | 左墙板盖板               | Left Side Cover       | 103260016 | 1   |
| 18  | 右墙板盖板               | Right Side Cover      | 103260004 |     |
| 19  | 主电机皮带 8M 1320 W30   | Timing Belt           | 204030051 | 1   |
| 20  | 主电机板-130电机          | Motor Flange Plate    | 103250008 | 1   |



9 Machine Cover 机器罩盖

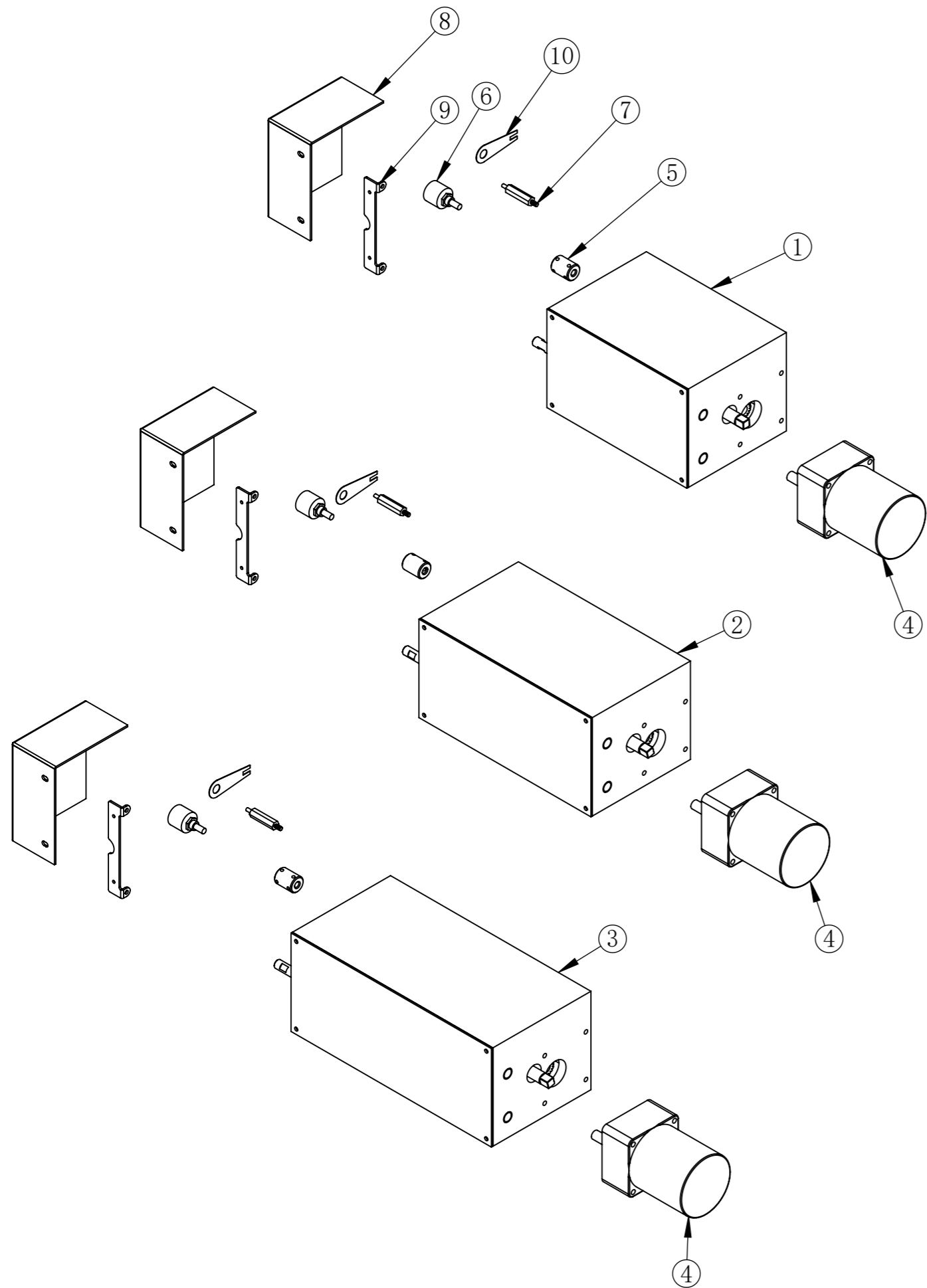


221021

9 Machine Cover 机器罩盖

| No. | Chinese Description | Description         | Part No.  | Qty |
|-----|---------------------|---------------------|-----------|-----|
| 1   | X马达盖                | X Motor Cover       | 103260001 | 1   |
| 2   | 左侧轴承盖板              | Bearing Cover       | 103140004 | 1   |
| 3   | 弧形梭床中盖板 - 帽机用       | Bed Mid Cover       | 103030035 | 6   |
| 4   | 梭床后盖板A              | Back Cover A        | 103140001 | 4   |
| 5   | 梭床后盖板B              | Back Cover B        | 103140002 | 1   |
| 6   | 梭床后盖板C              | Back Cover C        | 103140003 | 1   |
| 7   | 梭床前盖板(左)            | Bed Front Cover     | 103140008 | 1   |
| 8   | 梭床前盖板(右)            | Bed Front Cover     | 103140009 | 1   |
| 9   | 梭床前盖板-双头组           | Bed Front Cover Mid | 103140007 | 3   |
| 10  | Y马达联体罩盖             | Cover               | 103260002 | 1   |
| 11  | 脚前支撑板(左)            | Support Plate L     | 103140005 | 1   |
| 12  | 脚前支撑板(右)            | Support Plate R     | 103140006 | 1   |
| 13  | 左墙板盖板               | Left Side Cover     | 103260016 | 1   |
| 14  | 前梁电气后盖A             | Electric Cover A    | 103260022 | 1   |
| 15  | 前梁电气后盖B             | Electric Cover B    | 103260023 | 1   |
| 16  | 悬挂帽机刻度盘盖            | Angle Cover         | 103260003 | 1   |
| 17  | 下电气箱侧盖板-左           | Electric Side Cover | 103260018 | 1   |
| 18  | 换色马达孔盖              | Hole Cover          | 103260005 | 1   |
| 19  | 前梁电气后盖C             | Electric Cover C    | 103260024 | 1   |
| 20  | X花键轴上盖板-多头Y450      | Upper Cover         | 103200028 | 1   |
| 21  | 横梁端盖                | End Cover           | 103260011 | 3   |
| 22  | 显示器支架B 多帽机用         | Display Stand B     | 103260014 | 1   |
| 23  | 显示器座A               | Display Stand A     | 103260012 | 1   |
| 24  | 圆形急停开关罩             | Stop Switch Cover   | 103260013 | 1   |
| 25  | 右墙板盖板               | Left Side Cover     | 103260004 | 1   |
| 26  | 前梁电气后盖D             | Electric Cover D    | 103260025 | 1   |
| 27  | X花键轴轴承座盖板           | Cover               | 103260036 | 1   |
| 28  | 下电气箱侧盖板 - 右         | Electric Side Cover | 103260017 | 1   |
| 29  | Y后轴罩盖 - 6头右         | Y Shaft Cover L     | 103260054 | 1   |
| 30  | Y后轴罩盖 - 6头左         | Y Shaft Cover L     | 103260053 | 1   |
| 31  | 头间塑料盖-前片            | Plastic Front Cover | 404010001 | 1   |
| 32  | 头间塑料盖-后片            | Plastic Back Cover  | 404010002 | 1   |
| 33  | 塑料盖卡位销              | Cover Pin           | 103260059 | 8   |
| 34  | 头间塑料盖支架             | Cover Bracket       | 103260060 | 2   |

10 Color Change Parts 换色

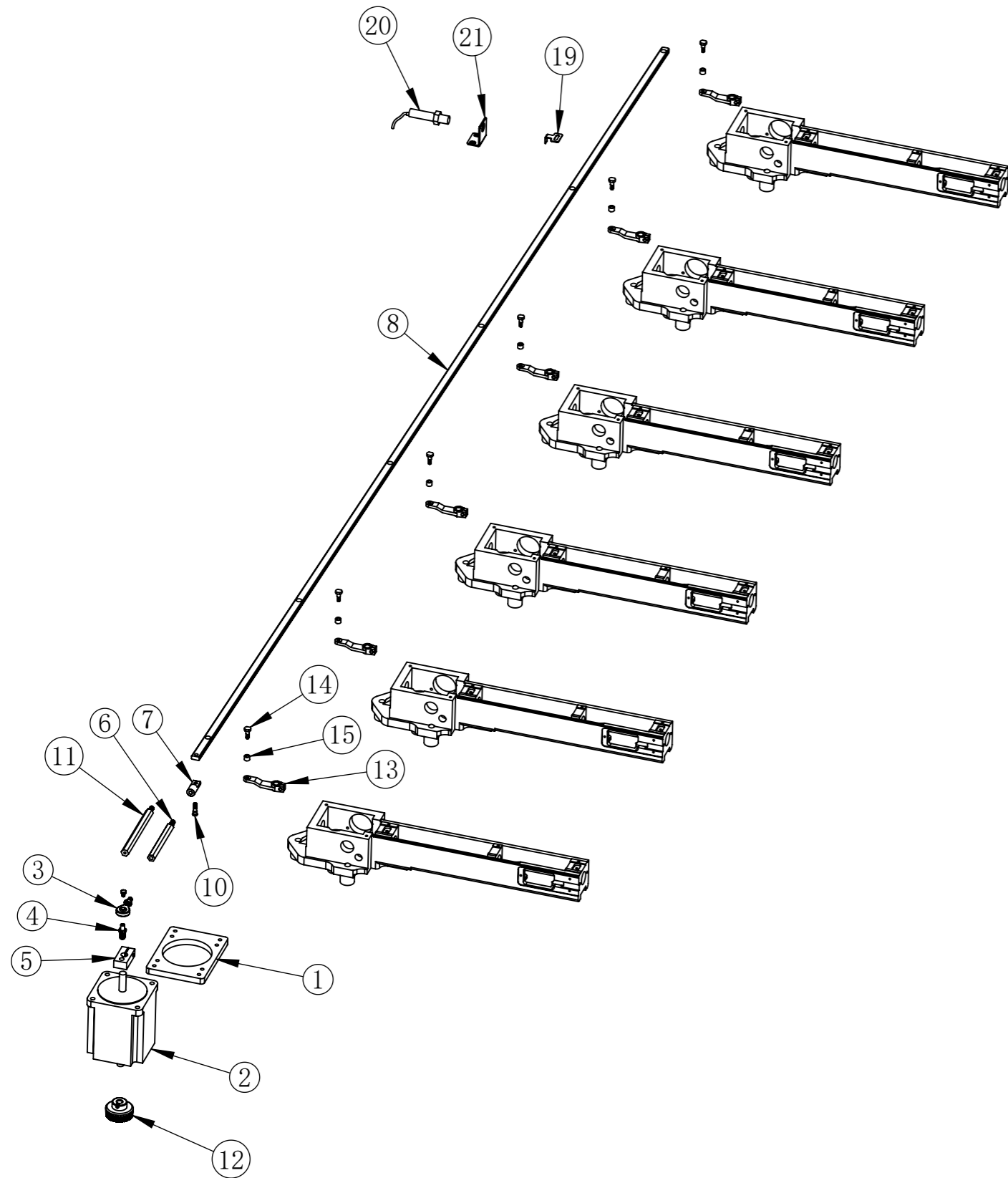


221021

10 Color Change Parts 换色

| No. | Chinese Description | Description               | Part No.  | Qty. |
|-----|---------------------|---------------------------|-----------|------|
| 1   | 大换色箱组件-9针           | Color Change Device 9Pin  | 303010001 | 1    |
| 2   | 大换色箱组件-12针          | Color Change Device 12Pin | 303010002 | 1    |
| 3   | 大换色箱组件-15针          | Color Change Device 15Pin | 303010003 | 1    |
| 4   | 交流减速电机12.5G10       | Color Change Motor        | 206100001 | 1    |
| 5   | 铜套                  | Bushing                   |           | 1    |
| 6   | 电位器                 | Potentiometer             | 207020001 | 1    |
| 7   | 电位器螺栓-多帽            | Potentiometer Fixed Bolt  | 102080004 | 1    |
| 8   | 换色箱左侧罩              | Cover                     | 103260038 | 1    |
| 9   | 换色箱左侧罩支架            | Holder                    | 103260037 | 1    |
| 10  | 电位器支撑板-多帽           | Plate                     | 102080003 | 1    |
| 11  | 换色箱面板-9针            | Box Panel                 | 102080009 |      |
| 12  | 换色箱面板-12针           | Box Panel                 | 102080010 |      |
| 13  | 换色箱面板-15针           | Box Panel                 | 102080011 |      |

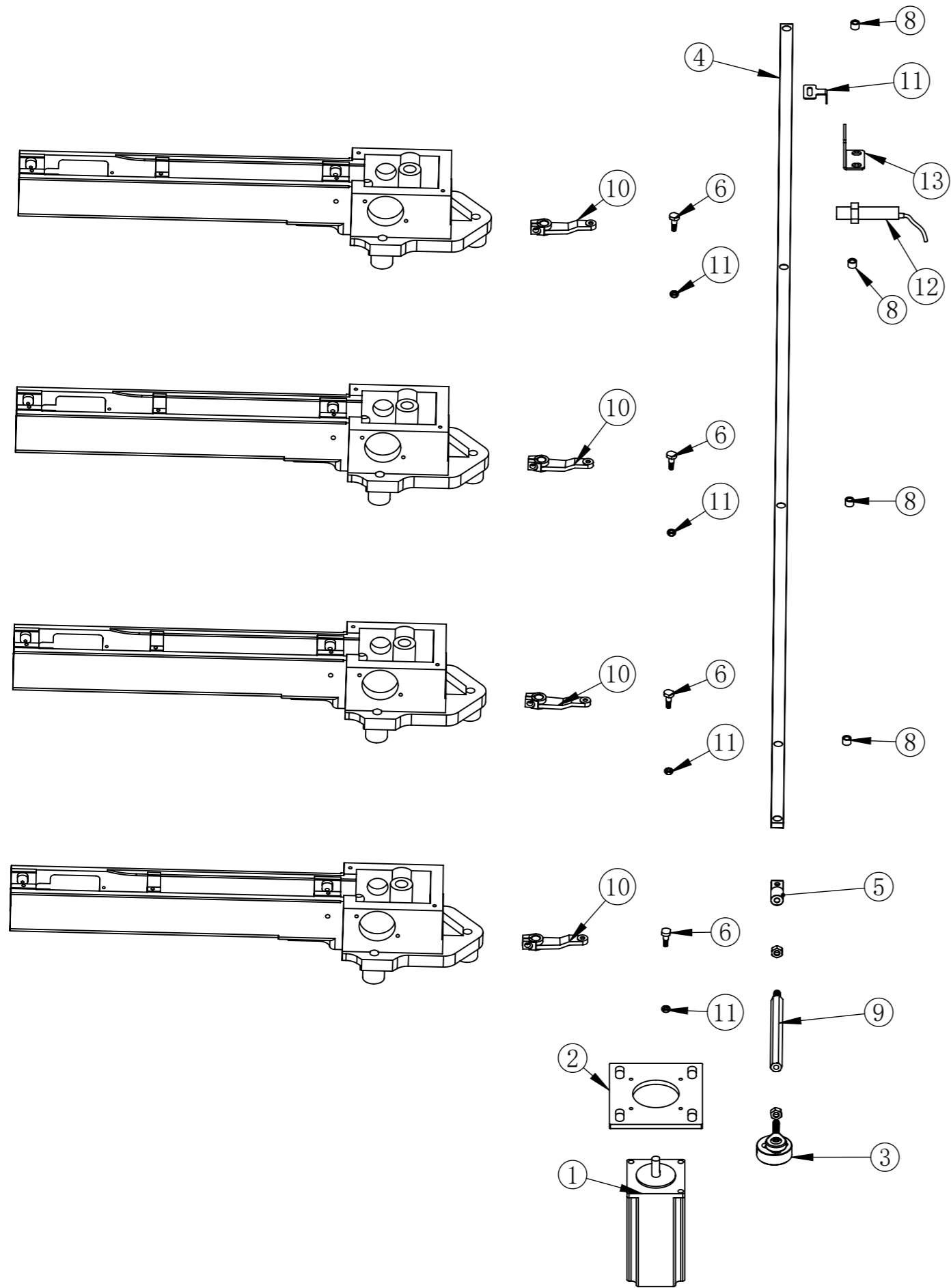
# 11 Trimming Drive System 剪线驱动



# 11 Trimming Drive System 剪线驱动

| No. | Chinese Description | Description       | Part No.  | Qty |
|-----|---------------------|-------------------|-----------|-----|
| 1   | 86电机安装法兰板           | Motor Base        | 103070012 | 1   |
| 2   | 86H2P100步进电机-剪线用    | Motor             | 206050001 | 1   |
| 3   | 球头轴承SA6             | Bearing           | 202100002 | 1   |
| 4   | 偏心轮台阶螺销             | Screw Pin         | 103070014 | 1   |
| 5   | 电机剪线驱动联接块-帽机用       | Block             | 103070013 | 1   |
| 6   | 剪线六角连接螺栓L90         | Connecting Rod    | 109070009 | 1   |
| 7   | 螺栓连接头               | Link Set          | 103070015 | 1   |
| 8   | 剪线驱动条-6头            | Trimming Long Arm | 103070010 | 1   |
| 9   | 剪线驱动条-8头            | Trimming Long Arm | 103070011 | 1   |
| 10  | 分段销                 | Pin               | 105080017 | 1   |
| 11  | 剪线六角连接螺栓L113        | Connecting Rod    | 109070007 | 1   |
| 12  | 塑料手柄d10             | Adjust Handle     | 105010017 | 1   |
| 13  | 开口剪线连杆              | Drive Arm         | 105070006 | 6   |
| 14  | 多帽剪线台阶销             | Step Screw        | 103070021 | 6   |
| 15  | 剪线拉杆铜套              | Bushing           | 103070003 | 6   |
| 19  | 剪线长杆接近片             | Induction Of Iron | 103070019 | 1   |
| 20  | 接近开关                | Proximity Sensor  | 207030007 | 1   |
| 21  | 接近开关支架 - 轻型机        | Sensor Bracket    | 102030051 | 1   |

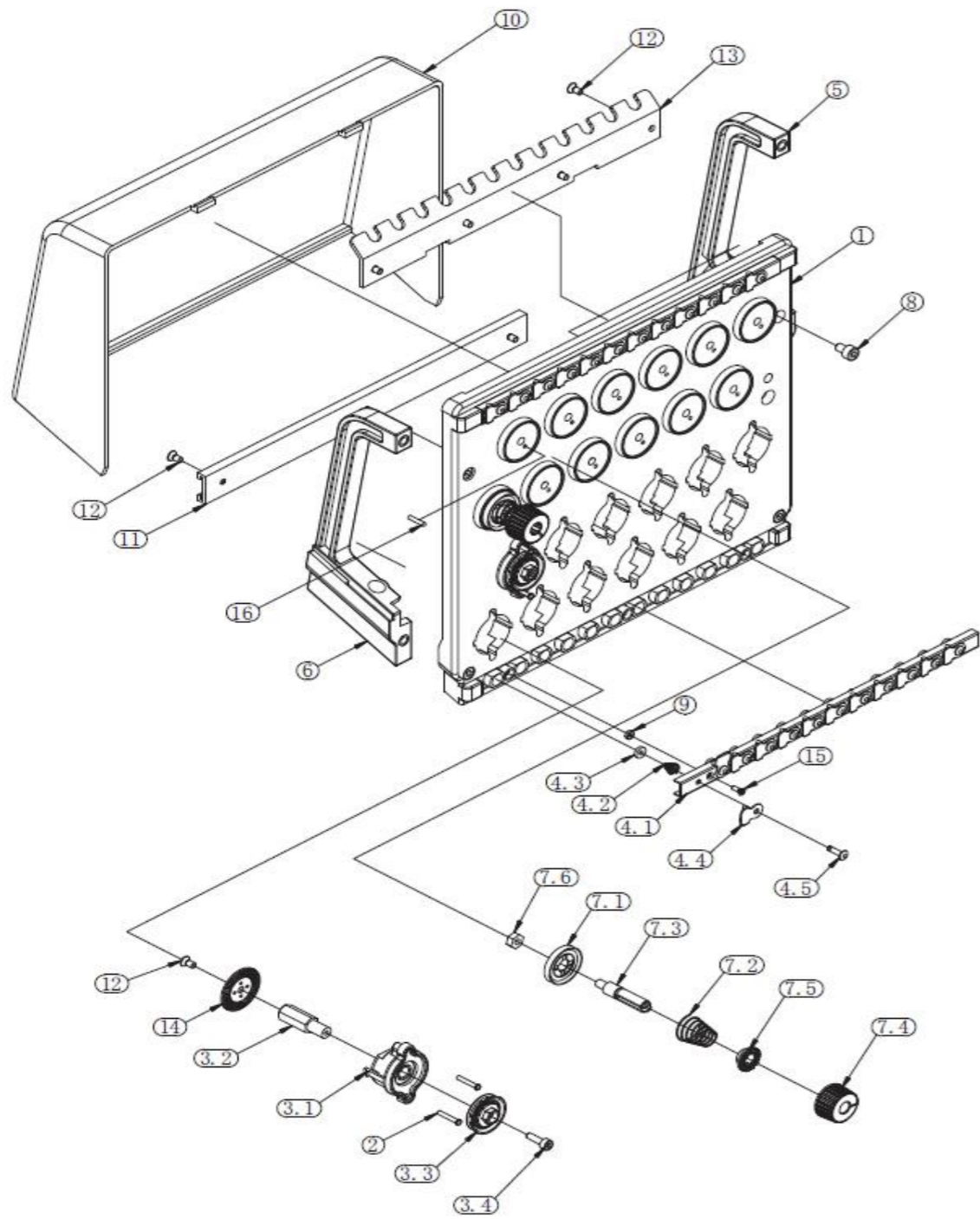
# 11 Trimming Drive System 剪线驱动



# 11 Trimming Drive System 剪线驱动

| No. | Chinese Description | Description       | Part No.  | Qty |
|-----|---------------------|-------------------|-----------|-----|
| 1   | 底线剪线电机57H2P112      | Step Motor        | 206020002 | 1   |
| 2   | 57电机安装法兰板-高速帽机用     | Cut Motor Plate   | 103070004 | 1   |
| 3   | 剪线偏心轮组件d8           | Slider Wheel Set  | 306060002 | 1   |
| 4   | 剪线驱动条-4头机用          | Drive Rod         | 103070009 | 1   |
| 5   | 螺栓连接头               | Link Set          | 103070015 | 1   |
| 6   | 多帽剪线台阶销             | Step Screw        | 103070021 | 4   |
| 8   | 剪线拉杆铜套              | Bushing           | 103070003 | 4   |
| 9   | 剪线六角连接螺栓L113        | Screw L113        | 109070007 | 1   |
| 10  | 开口剪线连杆              | Drive Arm         | 105070006 | 4   |
| 11  | 剪线长杆接近片             | Induction Of Iron | 103070019 | 1   |
| 12  | 接近开关                | Proximity Sensor  | 207030007 | 1   |
| 13  | 接近开关支架 - 轻型机        | Sensor Bracket    | 102030051 | 1   |

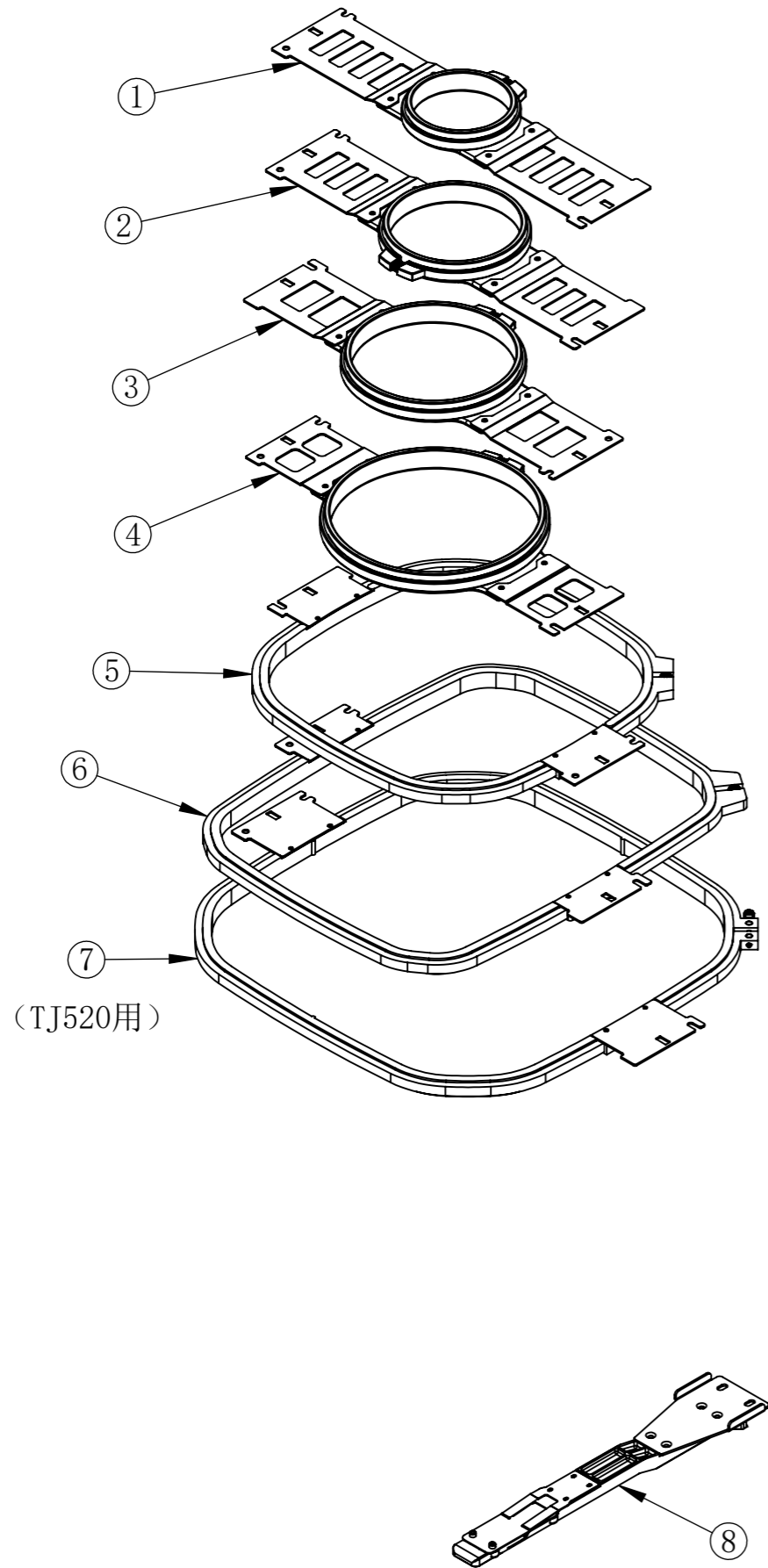
# 12 Thread Tension Base 夹线器组件



# 12 Thread Tension Base 夹线器组件

| No.  | Chinese Description | Description                        | Part No.   | Qty |
|------|---------------------|------------------------------------|------------|-----|
| 12.1 | 夹线器总成-余美真6针         | Thread lead plate-06 For 06-Needle | 0305060005 | 1   |
|      | 夹线器总成-余美真9针         | Thread lead plate-06 For 09-Needle | 0305060006 |     |
|      | 夹线器总成-余美真12针        | Thread lead plate-12 For 12-Needle | 0305060007 |     |
|      | 夹线器总成-余美真15针        | Thread lead plate-15 For 15-Needle | 0305060008 |     |
| 12.1 | 夹线器总成-集美6针          | Thread lead plate-06 For 06-Needle | 0305060001 | 1   |
|      | 夹线器总成-集美9针          | Thread lead plate-09 For 09-Needle | 0305060002 |     |
|      | 夹线器总成-集美12针         | Thread lead plate-12 For 12-Needle | 0305060003 |     |
|      | 夹线器总成-集美15针         | Thread lead plate-15 For 15-Needle | 0305060004 |     |
|      | 夹线器总成-金龙鼎6针         | Thread lead plate-06 For 06-Needle | 0305060005 |     |
|      | 夹线器总成-金龙鼎9针         | Thread lead plate-09 For 09-Needle | 0305060006 |     |
|      | 夹线器总成-金龙鼎12针        | Thread lead plate-12 For 12-Needle | 0305060007 |     |
|      | 夹线器总成-金龙鼎15针        | Thread lead plate-15 For 15-Needle | 0305060008 |     |
|      | 夹线器总成-丹阳6针          | Thread lead plate-06 For 06-Needle | 0305060009 |     |
|      | 夹线器总成-丹阳9针          | Thread lead plate-09 For 09-Needle | 0305060010 |     |
|      | 夹线器总成-丹阳12针         | Thread lead plate-12 For 12-Needle | 0305060011 |     |
|      | 夹线器总成-丹阳15针         | Thread lead plate-15 For 15-Needle | 0305060012 |     |

# 16 Embroidery Frame 花架

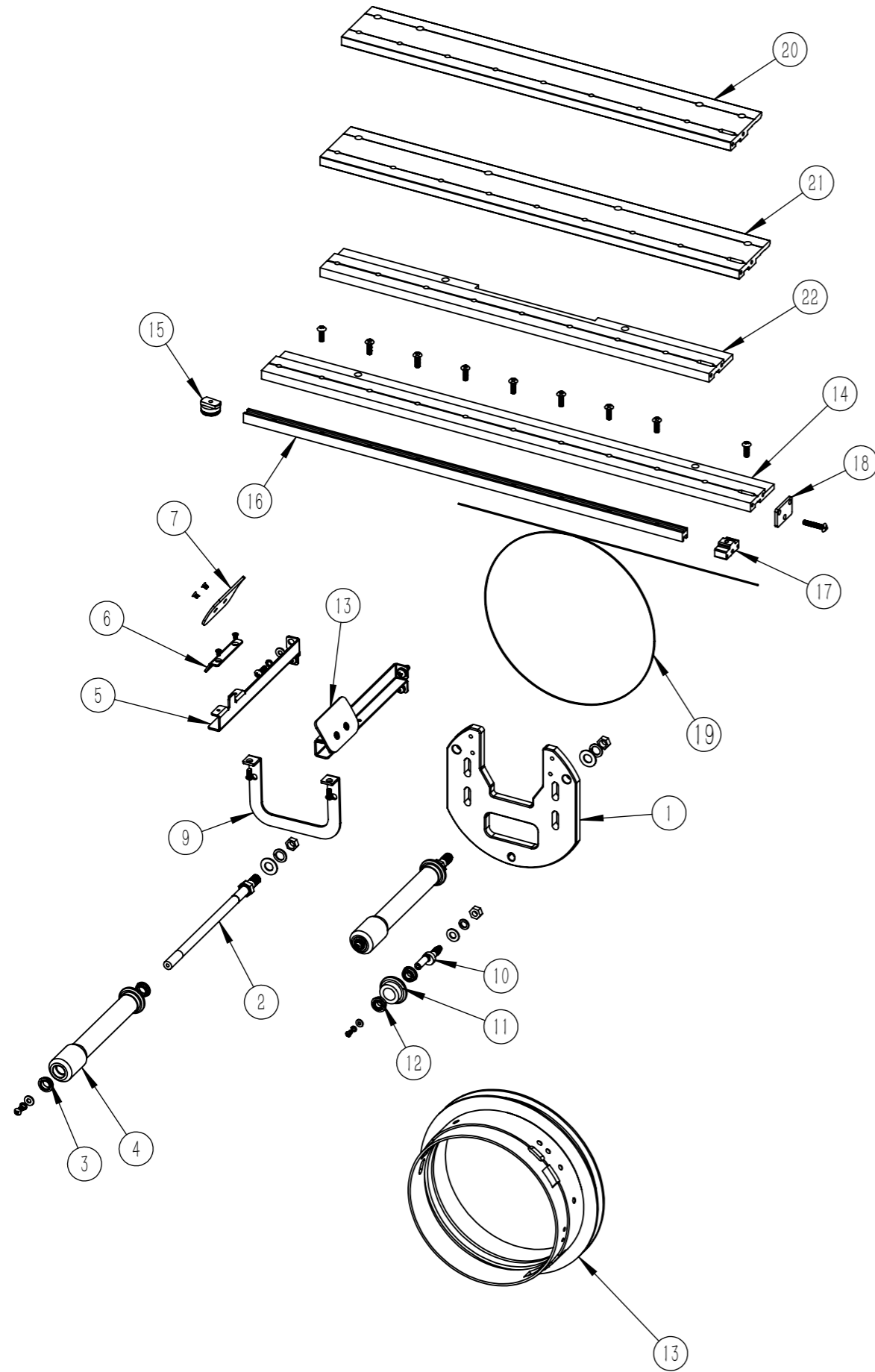


# 16 Embroidery Frame 花架

| No. | Chinese Description | Description              | Part No.  | Qty |
|-----|---------------------|--------------------------|-----------|-----|
| 1   | 帽机绷架-灰色D90          | Round Frame-90           | 316010011 | n   |
| 2   | 帽机绷架-灰色D120         | Round Frame-120          | 316010012 | n   |
| 3   | 帽机绷架-灰色D150         | Round Frame-150          | 316010013 | n   |
| 4   | 帽机绷架-灰色D190         | Round Frame-190          | 316010014 | n   |
| 5   | 帽机绷架-灰色D290         | Rectangle Frame-290      | 316010015 | n   |
| 6   | 帽机绷架-灰色315*395      | Rectangle Frame-315x395  | 316010016 | n   |
| 7   | 帽机绷架-灰色400*400      | Rectangle Frame-400      | 316010017 | n   |
| 8   | 双拼铸铝扶手装配            | Double Frame Bracket Set | 316010010 | n+1 |

\* 7#为头距520用高速帽机使用

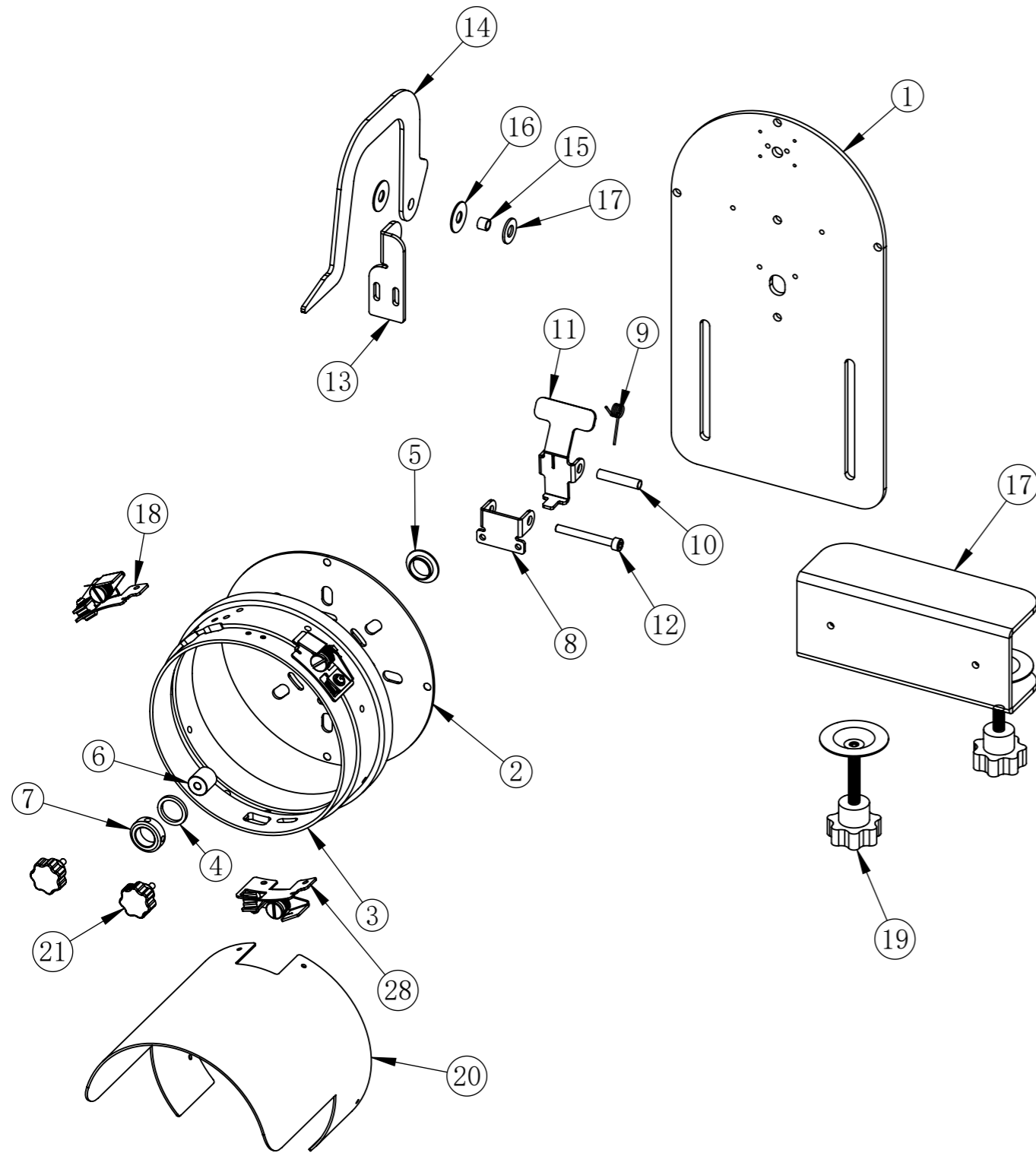
17-1 Cap Frame parts 帽驱动组件



17-1 Cap Frame parts 帽驱动组件

| No. | Chinese Description | Description             | Part No.  | Qty |
|-----|---------------------|-------------------------|-----------|-----|
| 1   | 帽驱动底板               | Cap frame main support  | 103240021 | 1   |
| 2   | 导向轮轴                | Shaft                   | 103240024 | 2   |
| 3   | 轴承MFL2622           | Bearing MFL2622         | 202010037 | 4   |
| 4   | 尼龙棒                 | Nylon rod               | 103240023 | 2   |
| 5   | 导向支撑左               | Support-L               | 103240025 | 1   |
| 6   | 导向板调节座              | Support plate           | 103240028 | 1   |
| 7   | 帽导向板                | Minor support plate     | 103240029 | 1   |
| 8   | 导向支撑右               | Support-R               | 103240026 | 1   |
| 9   | 左右支撑加强版             | U stand                 | 103240036 | 1   |
| 10  | 偏心销                 | Pin shaft               | 103240004 | 1   |
| 11  | 尼龙滚轮                | Trolley                 | 103240030 | 1   |
| 12  | 轴承MFL2822           | Bearing MFL2822         | 202010036 | 2   |
| 13  | 帽圈                  | Cap tube                | 103240022 | 1   |
| 14  | 马头机帽框联结板L490        | Cap frame support plate | 103240045 | 1   |
| 15  | 驱动滑轮M4XD17T10       | Nylon wheel             | 103240042 | 1   |
| 16  | 帽驱动板导轨              | Plastic bar             | 103240044 | 1   |
| 17  | 钢丝张紧块               | Adjustment slider       | 103240039 | 1   |
| 18  | 驱动板调节座 (28X18X2.5)  | Adjustment plate        | 103240041 | 1   |
| 19  | 钢丝                  | Steel wire              | 103240048 | 1   |
| 20  | 高速帽机帽框联接板-TJ400     | Cap Frame Support Plate | 103240040 | 1   |
| 21  | 高速帽机帽框联接板-TJ520     | Cap Frame Support Plate | 103240046 | 1   |
| 22  | 帽框联接板L390           | Peaks connecting plate  | 103240047 | 1   |

# 17-2 Cap Frame Parts 帽座组件

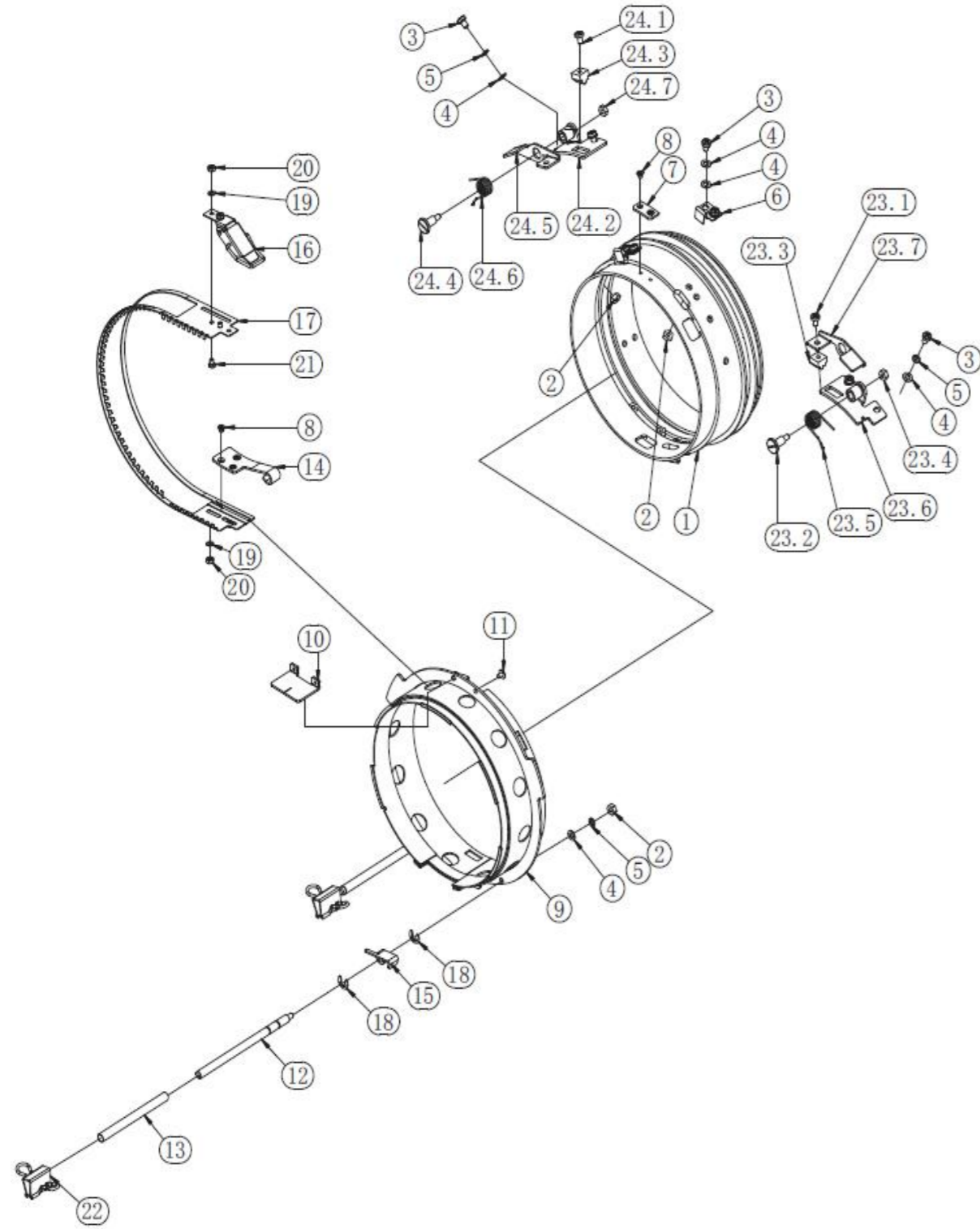


# 17-2 Cap Frame Parts 帽座组件

| No. | Chinese Description | Description         | Part No.  | Qty |
|-----|---------------------|---------------------|-----------|-----|
| 1   | 帽架支架平板 - 带旋转        | Cap Frame Main Su   | 110200003 | 1   |
| 2   | 帽架帽圈后板              | Back Palte          | 110200004 | 1   |
| 3   | 帽座帽圈                | Cap Tube            | 110200005 | 1   |
| 4   | 轴芯尼龙隔套              | Ring                | 110200006 | 1   |
| 5   | 轴芯耐磨衬套              | plastics Collar     | 110200007 | 1   |
| 6   | 轴芯 - 旋转             | Pin                 | 110200008 | 1   |
| 7   | 轴芯挡圈                | Collar              | 110200009 | 1   |
| 8   | 扳扣底板                | Trigger Base Plate  | 110200010 | 1   |
| 9   | 扳扣扭簧                | Trigger Spring      | 110200011 | 1   |
| 10  | 扳扣转轴                | Trigger Shaft       | 110200012 | 1   |
| 11  | 扳扣板                 | Trigger             | 110200013 | 1   |
| 12  | M5螺丝 - 45半牙         | Screw               |           | 1   |
| 13  | 对位板底板               | Location Base Plate | 110200014 | 1   |
| 14  | 对位板                 | Location Plate      | 110200015 | 1   |
| 15  | 对位板空心转轴             | Location Shaft      | 110200016 | 1   |
| 16  | 尼龙垫片D22d8H1         | Insulation Spacer   | 110200017 | 2   |
| 17  | 帽架支架U板              | Support U Plate     | 110200019 | 1   |
| 18  | 帽圈卡扣组件A             | Snap Set A          | 317010011 | 1   |
| 28  | 帽圈卡扣组件B             | Snap Set B          | 317010012 | 2   |
| 19  | 帽座手柄A               | Handle A            | 103240011 | 2   |
| 20  | 帽檐                  | Brim of a hat       | 103240006 | 1   |
| 21  | 梅花手柄螺丝M4L10         | Screw               | 110200055 | 2   |



### 18. Cap Stand Frame 帽架



### 18. Cap Stand Frame 帽架

| No.  | Chinese Description | Description              | Part No.    | Qty |
|------|---------------------|--------------------------|-------------|-----|
| 1    | 帽管                  | Cap tube                 |             |     |
| 2    | 螺母M4                | Nut M4                   |             |     |
| 3    | 十字槽扁圆头螺钉            | Truss head screws M4*6   | 201160406-3 |     |
| 4    | 垫圈M4                | Washer M4                | 201210410-2 |     |
| 5    | 弹垫M4                | Spring washer M4         |             |     |
| 6    | 弹片                  | Shrapnel                 |             |     |
| 7    | 定位块                 | Positioning block        |             |     |
| 8    | 十字槽沉头螺钉M3*4         | Counterbore screws M3*4  | 201130304-2 |     |
| 9    | 夹                   | Clamp                    |             |     |
| 10   | 定位块                 | Positioning block        |             |     |
| 11   | 六角头螺钉M3*4           | Hex head cap screws M3*4 | 201460304-1 |     |
| 12   | 帽架支柱                | Hat rack strut           |             |     |
| 13   | 橡胶衬套                | Rubber bushing           |             |     |
| 14   | 锁扣                  | Tie head cap             |             |     |
| 15   | 锁钩                  | Lock hook                |             |     |
| 16   | 锁                   | Lock                     |             |     |
| 17   | 夹帽片                 | Cap strapping rod        |             |     |
| 18   | E型圈                 | E-Ring-6                 |             |     |
| 19   | 垫圈M4                | Washer M4                | 201210410-2 |     |
| 20   | 螺母M3                | Nut M3                   | 201350322   |     |
| 21   | 六角头螺钉M3*4           | Hex head cap screws M3*4 | 201460304-1 |     |
| 22   | 夹子                  | Clip                     |             |     |
| 23   | 帽盖组件A               | Cap casing A             |             |     |
| 23.1 | 十字槽扁圆头螺钉            | Truss head screws M4*6   | 201160406-3 |     |
| 23.2 | 带卡盘螺丝               | Screw with chucker       |             |     |
| 23.3 | 帽盖A                 | Cap casing               |             |     |
| 23.4 | 螺母M4                | Nut M4                   | 201350422   |     |
| 23.5 | 收宿弹簧                | Collet spring            |             |     |
| 23.6 | 夹座                  | Clamp base               |             |     |
| 23.7 | 夹座A                 | Clamp base A             |             |     |
| 24   | 夹座B                 | Clamp base B             |             |     |
| 24.1 | 十字槽扁圆头螺钉            | Truss head screws M4*6   | 201160406-3 |     |
| 24.2 | 夹座B                 | Clamp base B             |             |     |
| 24.3 | 帽盖组件                | Cap casing               |             |     |
| 24.4 | 带卡盘螺丝               | Screw with chucker       |             |     |
| 24.5 | 帽盖B                 | Cap casingB              |             |     |
| 24.6 | 收宿弹簧B               | Collet spring B          |             |     |
| 24.7 | 螺母M4                | Nut M4                   | 201350422   |     |