

# FORTEVER<sup>®</sup>

## 零件书

SPARE PARTS BOOK

SINGLE HEAD TUBULAR EMBROIDERY MACHINE

马头机

MODEL: FT-1201

FT-1501

# SINGLE HEAD TUBULAR EMBROIDERY MACHINE

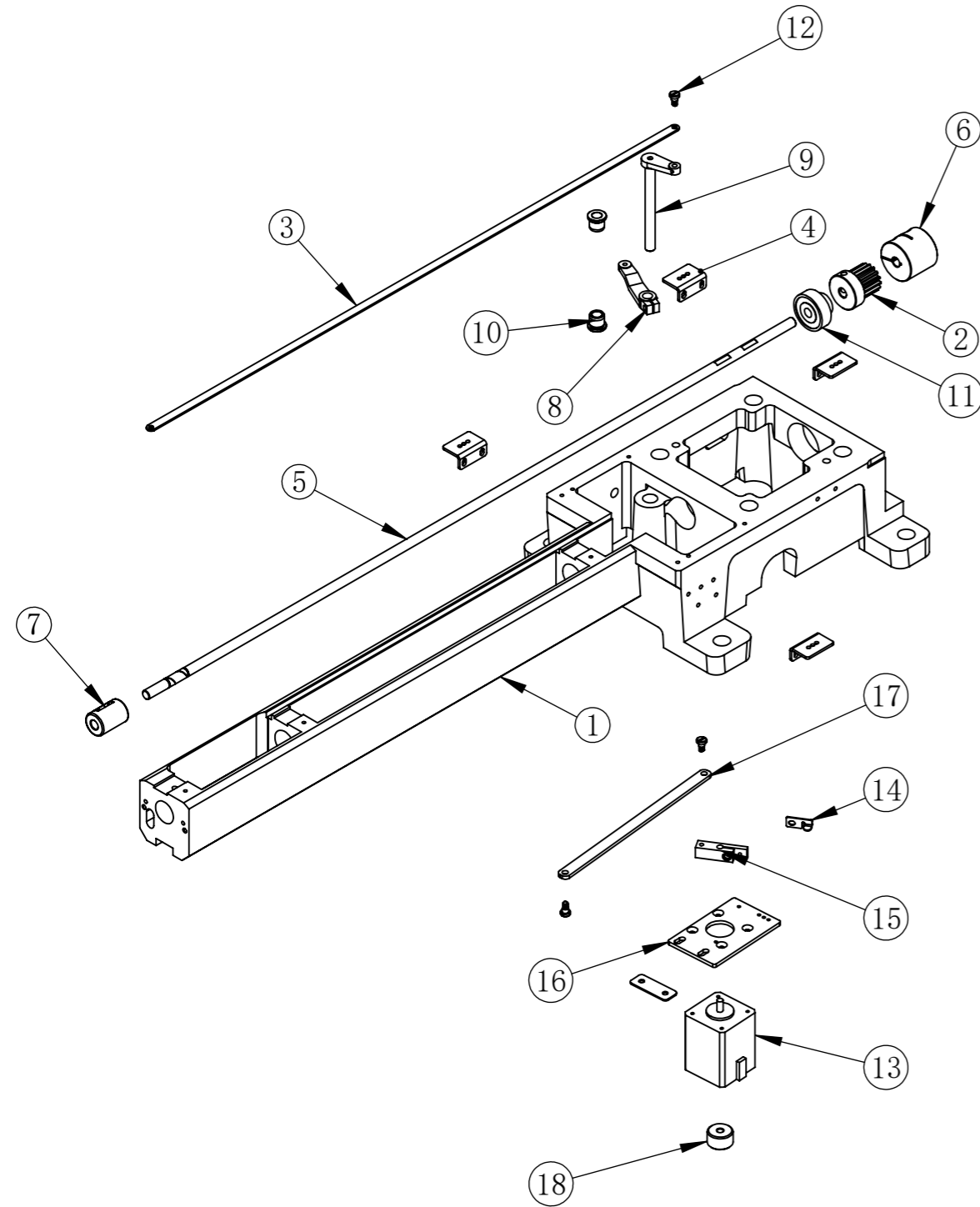
## 马头机

### C O N T E N T S

### 目 录

1	Rotary Hook Base 梭床	8	Thread Stand 线架
2	Trimming Parts 底线剪线部分	9	
3	Arm 机头臂	10	Color Change Parts 换色
4	X Axis Guide Rail X向导轨	11	Table 台板
5-1	Y Axis Guide Rail Y向导轨	12	Tension 夹线器
5-2	Y Drive System Y导轨驱动系统	13	Stand 底架
6-1	Arm Motor 机头跳跃勾线电机	14	
6-2	Needle Bar Driving Cam Set 针杆驱动块 挑线杆AB	15	
7-1	Needle Bar Case 针架	16	Embroidery Frame 绷架
7-2	Head Cover Thread Lock 面盖 下过线	17	Cap Frame Parts 帽框组件
7-3		18	Cap Stand Frame 帽架

# 1 Rotary Hook Base 梭床

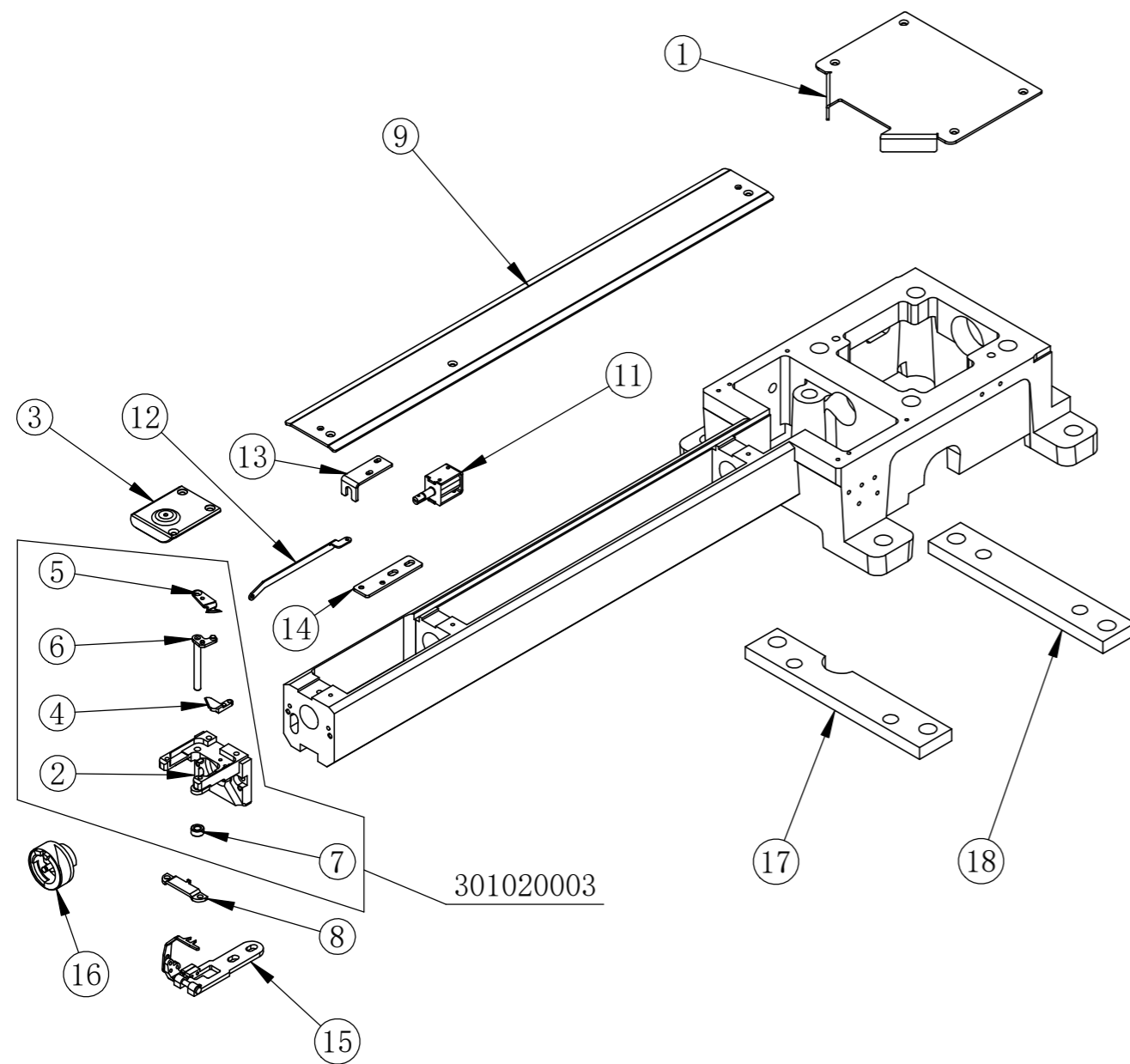


220701

# 1 Rotary Hook Base 梭床

No.	Chinese Description	Description	Part No.	Qty
1	马头梭箱500	Rotary Hook Base	105030001	1
	马头梭箱400	Rotary Hook Base	105030002	
	马头梭箱350	Rotary Hook Base	105030003	
	马头梭箱700	Rotary Hook Base	105030045	
2	主轴皮带轮 (小) S5M-16齿-d7.94	Timing Pulley	105030015	1
3	剪线薄拉杆Y500	Trimming Pull Rod	105070010	1
	剪线薄拉杆Y400	Trimming Pull Rod	105070018	
	剪线薄拉杆Y350	Trimming Pull Rod	105070009	
	剪线薄拉杆Y700	Trimming Pull Rod	105070025	
4	盆左右盖板支架	Table Support	105110037	4
5	旋梭轴Y500	Rotary Hook Shaft	105030014	1
	旋梭轴Y400	Rotary Hook Shaft	105030013	
	旋梭轴Y350	Rotary Hook Shaft	105030012	
	旋梭轴Y700	Rotary Hook Shaft	105030024	
6	联轴器12-7.94	Collar	105030018	1
7	粉末套	Bushing	105030011	1
8	开口剪线连杆	Drive Arm	105070006	1
9	剪线驱动柄	Thread Trimming Lever	105070003	1
10	铜套	Oiled Bearing	105070014	2
11	联体轴承6201	Bearing6201	202150016	1
12	剪线连杆台阶螺丝	Screw Pin	105070008	3
13	马头底线剪线电机	Cutting Motor	206010009	1
14	剪线感应头	Sensor Plate	105070005	1
15	剪线驱动杆	Trimming Drive Rod	105070004	1
16	剪线电机安装座	Motor Base	105070007	1
17	剪线驱动连杆Y500	Connecting Plate	105070003	1
	剪线驱动连杆Y350/400	Thread Trimming Lever	105070002	
18	电机手动旋钮	Handle	105040001	1

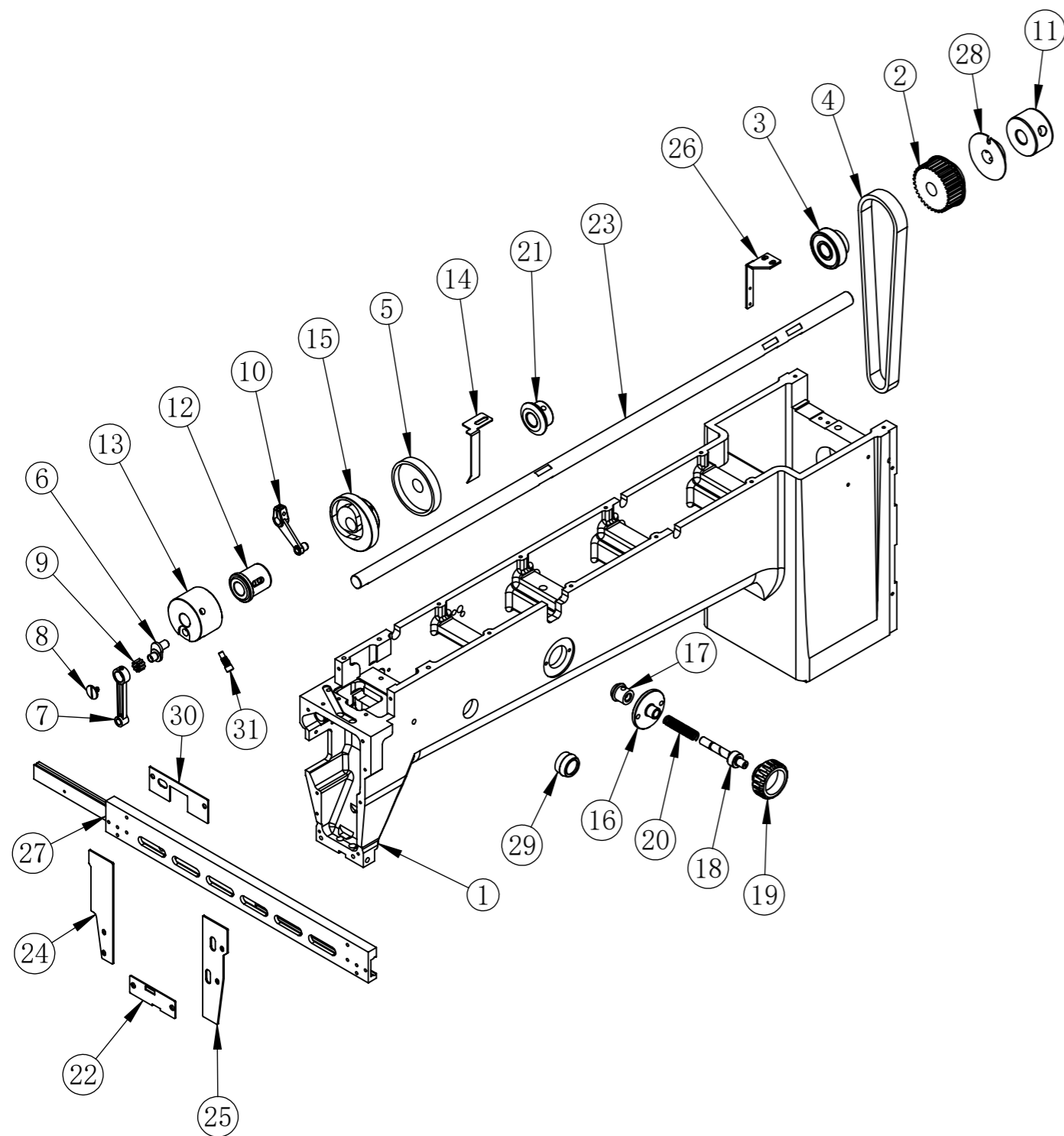
## 2 Trimming Parts 底线剪线部分



## 2 Trimming Parts 底线剪线部分

No.	Chinese Description	Description	Part No.	Qty
1	梭箱后盖板Y500	Back Cover	105030004	1
	梭箱后盖板Y400/350	Back Cover	105030005	
	梭箱后盖板Y700	Back Cover	105030006	
2	大马头针板座	Needle Plate Base	105030032	1
	马头平针板	Needle Plate	105030034	1
3	马头高针板	Needle Plate	105030035	1
4	定刀	Fixed Knife	103030018	1
5	动刀	Movable Knife	103030017	1
6	动刀杆	Knife Shaft	103030015	1
7	动刀轴轴套	Clipper	103030016	1
8	旋梭定位钩	Rotary Position Hook	103030007	1
9	梭床中盖板Y500	Mid Cover	105030007	1
	梭床中盖板Y400	Mid Cover	105030008	
	梭床中盖板Y350	Mid Cover	105030009	
	梭床中盖板Y700	Mid Cover	105030044	
11	24V扣线电磁铁	Picker Solenoid	206120002	1
12	马头扣线电磁铁拉杆	Picker Connecting Rod	105070013	1
13	马头扣线电磁铁复位板	Picker Solenoid Limit Plate	105070011	1
14	马头扣线电磁铁安装板	Installation Plate	105070012	1
15	马头扣线叉组件	Picker Fork	301020002	1
16	旋梭	Hook	211030001	1
17	马头后垫板	After Plate	105030019	1
18	马头前垫板	Before	105030020	1
19	马头后垫板 (Y为直线导轨 时用)	After Plate	105030021	
20	马头前垫板 (Y为直线导轨 时用)	Before	105030022	

### 3 Arm 机头臂

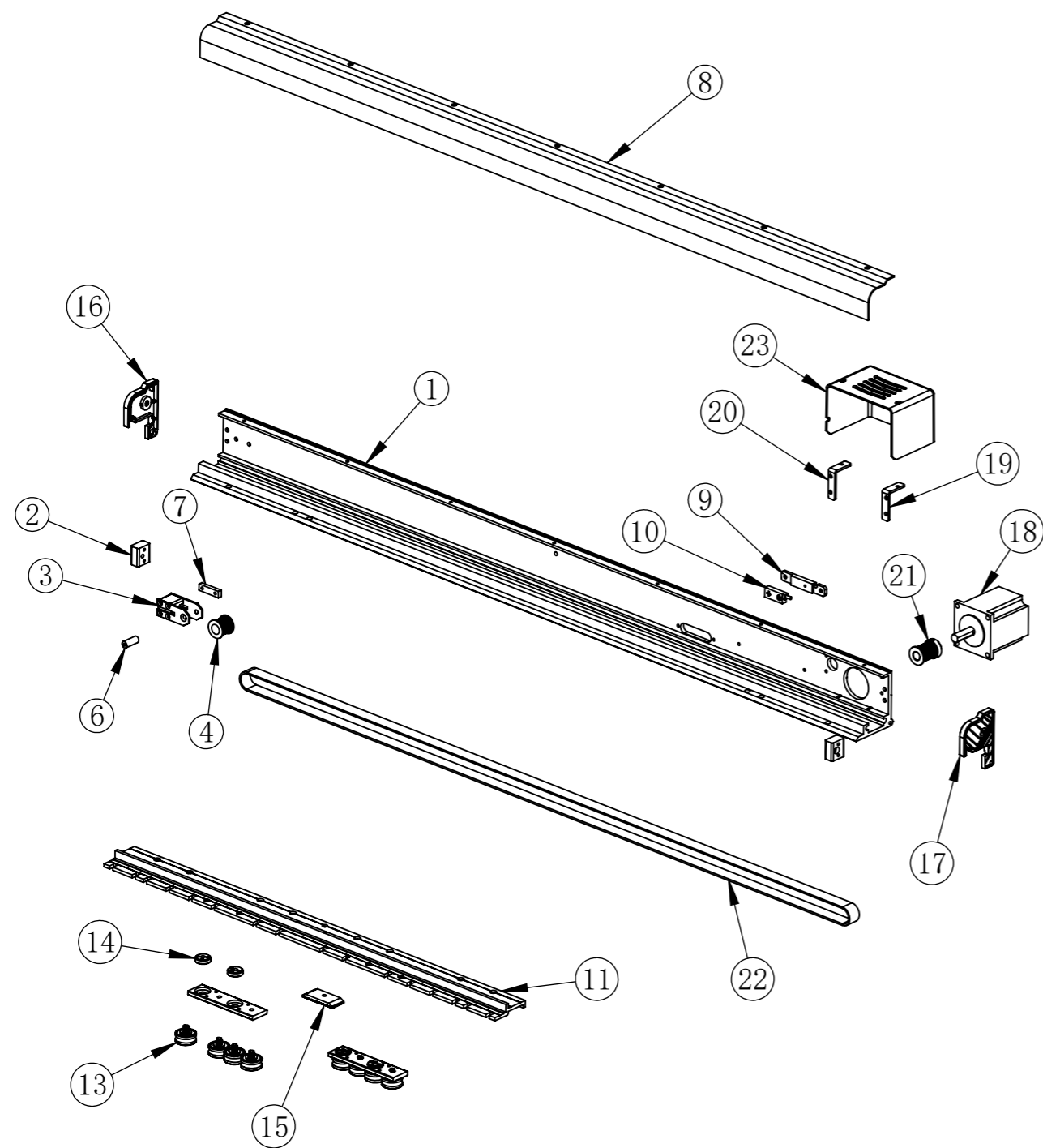


220701

### 3 Arm 机头臂

No.	Chinese Description	Description	Part No.	Qty
1	马头臂Y500	Arm	105010003	1
	马头臂Y400	Arm	105010002	
	马头臂Y350	Arm	105010001	
	马头臂Y700	Arm	105010093	
2	马头上轴同步轮	Timing Pulley S5M-32-d15 W20	105010024	1
3	联体轴承6004	Bearing	202150006	1
4	马头机主皮带	Timing Belt S5M-525-15	204030008	1
5	刻度盘	Shaft Dial	105010009	1
6	马头机曲轴	Bent Axle	105010059	1
7	马头机大连杆	Big Rod	110010028	1
8	曲轴M4螺丝	Screw	105010065	1
9	滚针轴承NK0808	Bearing	202070002	1
10	压脚驱动块	Presser Foot Cam Link Set	105010046	1
11	上轴后粉末套	Upper Shaft Rear Bushing	105010011	1
12	上轴前粉末套	Upper Shaft Front Bushing	105010010	1
13	挑线凸轮	Arm Cam	105010032	1
14	马头刻度盘指针H60	Zero Postion Coupler Bracket	105010056	1
15	压脚凸轮	Presser Foot Cam	105010008	1
16	手柄轮座	Handle Bushing	105010015	1
17	手动轮用伞齿轮 小	Lower Shaft Gear -B	105010018	1
18	手动轮轴	Shaft	105010013	1
19	塑料手柄	Adjustment Handle	105010017	1
20	手动轮弹簧	Spring	102020010	1
21	手动轮用伞齿轮 大	Lower Shaft Gear -A	105010019	1
22	下导轨轴承定位板	Lower Front Cover	105010022	1
23	大马头Y500上轴	Upper Shaft	105010006	1
	大马头Y400上轴	Upper Shaft	105010005	
	大马头Y350上轴	Upper Shaft	105010004	
	大马头Y700上轴	Upper Shaft	105010094	
24	马头防尘板右	Front Cover R	105010030	1
25	马头防尘板左	Front Cover L	105010029	1
26	马头零位光耦支架	Support	105010055	1
27	机头上导轨 (马头机)	Slide Rail 12N	203030011	1
	机头上导轨 (马头机)	Slide Rail 15N	203030012	1
28	零位感光轮-d15	Zero Postion Disk	105010007	1
29	刻度盘放大镜组件	Dial Observer	302020008	1
30	挑线防尘板	Front Cover UP	105010023	1
31	挑线凸轮螺丝	Cam Pin	105010031	1

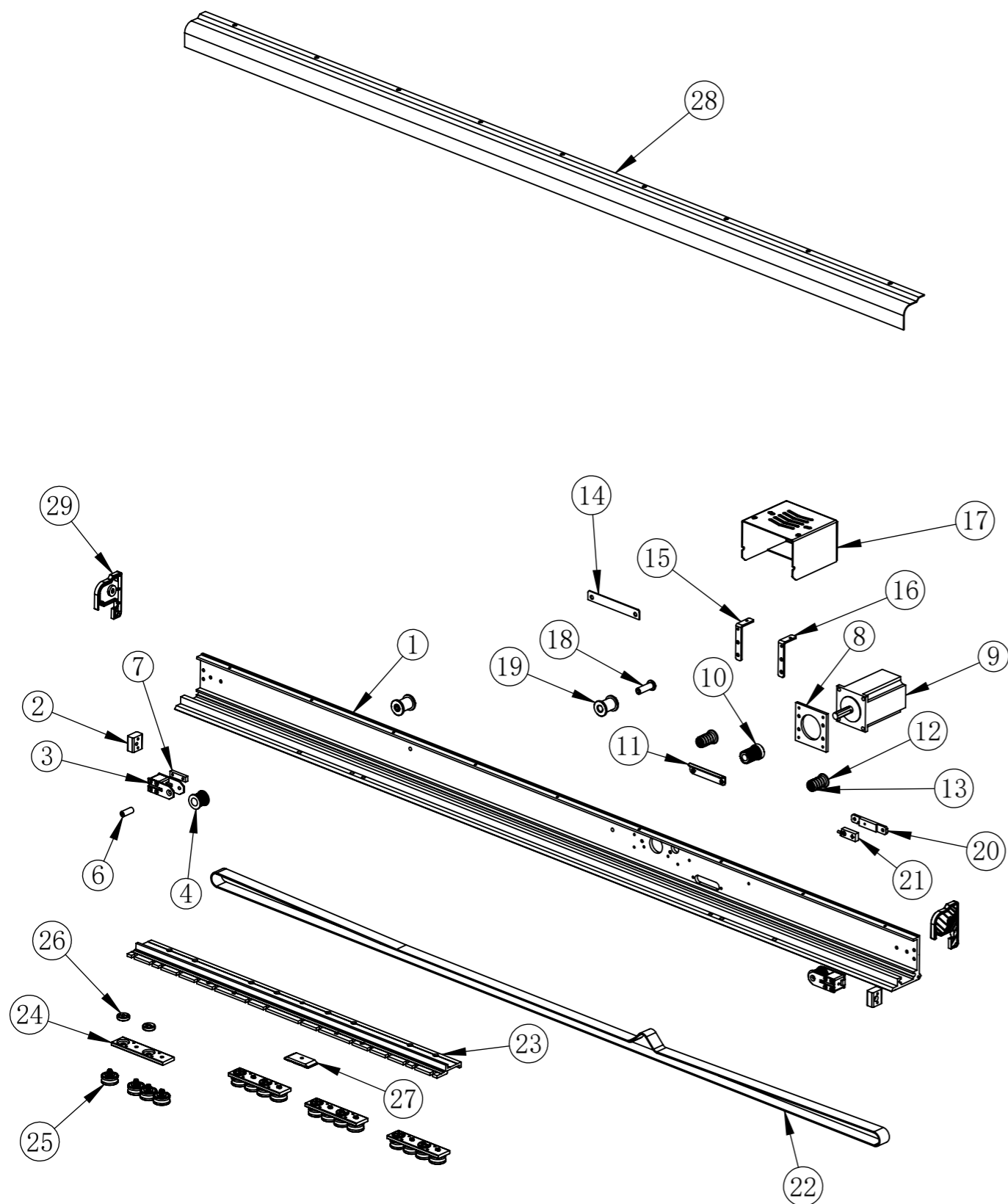
## 4 X Axis Duide Rail X向导轨



## 4 X Axis Duide Rail X向导轨

No.	Chinese Description	Description	Part No.	Qty
1	X驱动座	X Frame	0105150003	1
2	X被动轮调节座	Side Cover Support	0105150062	2
3	X被动轮张紧座	Bracket Block	0105150051	1
4	X被动轮S3M20TW20	Timing Pulley	0105150040	1
6	X被动轮轴H20	Shaft	0105150057	1
7	X被动轮调节滑块	Adjust Block	0105150063	1
8	横档盖子	COVER	0105150018	1
9	马头横框接近感应器底座	Sensor Base	0105150095	1
10	接近感应器	Limit Sensor	0207030006	1
11	马头驱动动板	Moving Plate	0105150031	1
12	动板轴承组底板	Bearing Plate	0105150034	2
13	U型槽轴承D24H11M6	U Bearing	0202140002	8
14	调节偏心螺母M6	Eccentric Nut	0110150003	4
15	X向皮带压板3MW20	Press Block Up	0105150089	1
16	塑料侧盖板-圆弧左	Side Cover	0105150069	1
17	塑料侧盖板-圆弧右	Side Cover	0105150070	1
18	57步进电机	Step Motor	0206030002	1
19	右支架	Motor Cover Bracket-R	0105150078	1
20	左支架	Motor Cover Bracket-L	0105150077	1
21	X主动皮带轮	Timing Pulley	0105150038	1
22	开口皮带S3M	Belt	0204010002	1
23	X向电机塑料罩	Motor Cover	0105150064	1

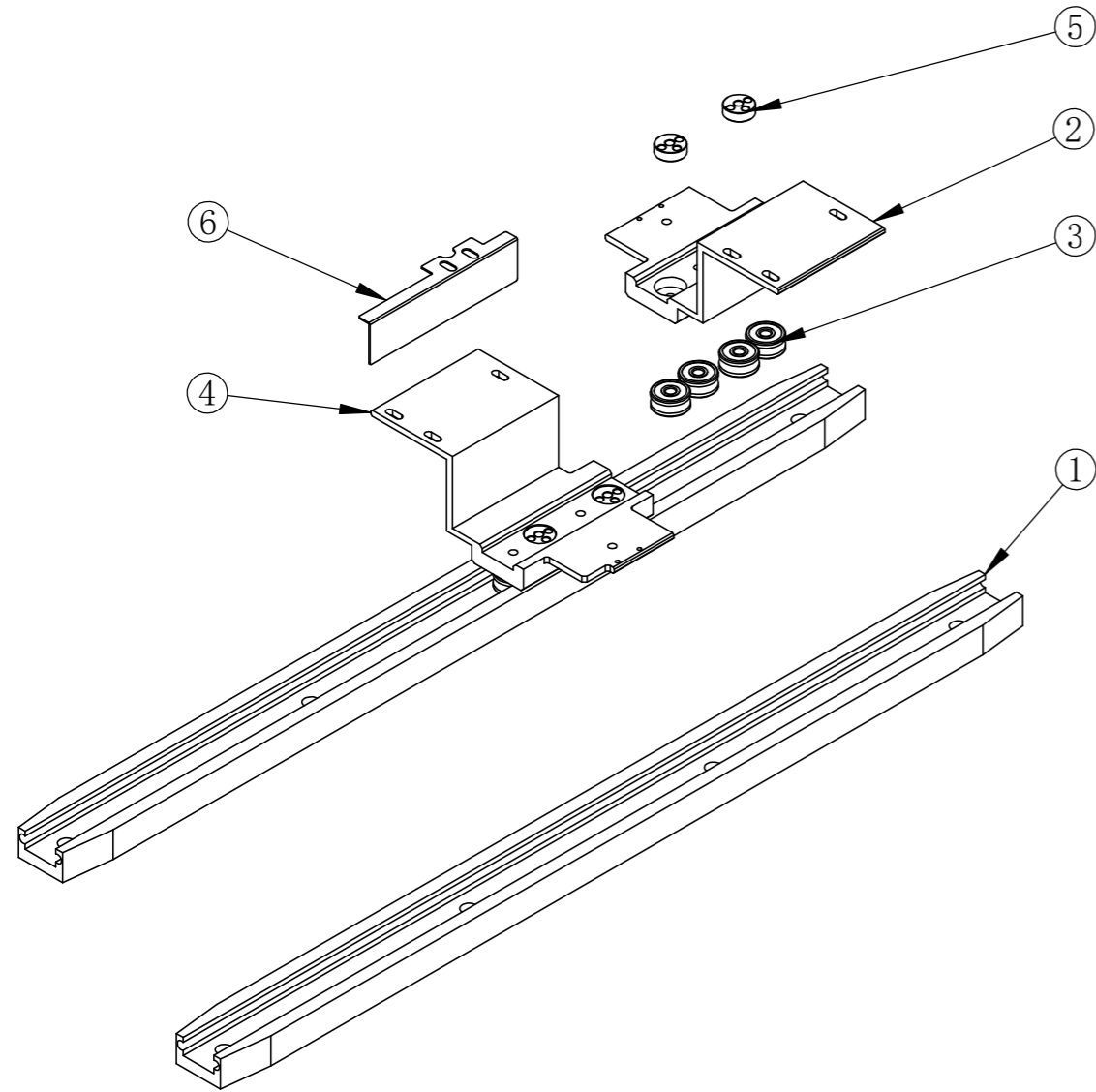
## 4 X Axis Duide Rail X向导轨



## 4 X Axis Duide Rail X向导轨

No.	Chinese Description	Description	Part No.	Qty
1	X驱动座	X Frame	0105150004	1
2	X被动轮调节座	Side Cover Support	0105150062	2
3	X被动轮张紧座	Bracket Block	0105150051	2
4	X被动轮S3M20TW20	Timing Pulley	0105150040	2
6	X被动轮轴H20	Shaft	0105150057	2
7	X被动轮调节滑块	Adjust Block	0105150063	2
8	电机板	Motor Plate	0105150082	1
9	57步进电机	Step Motor	0206030004	1
10	X主动轮S3M20TW23	Timing Pulley	0105150039	1
11	张紧轴承固定板-钣金	Bearing Bracket Plate	0105150085	1
12	台阶轴承轴D20d8h25	Shaft	0105150084	2
13	轴承688 D16d8H5	Bearing 688	0202010039	10
14	中置马达罩前片	Plate	0105150081	1
15	支架 - 左 - 中装电机	Cover Bracket L	0105150079	1
16	支架 - 右 - 中装电机	Cover Bracket R	0105150080	1
17	马头X电机罩 - 加长铁	Motor Cover	0105150065	1
18	张紧尼龙轮轴-20皮带用	Pin	0105150087	2
19	张紧尼龙轮-20皮带用	Nylon Wheel	0105150086	2
20	马头横框接近感应器底座	Sensor Base	0105150095	1
21	接近感应器	Limit Sensor	0207030006	1
22	开口皮带S3M	Timing Belt	0204010002	1
23	马头驱动动板	Moving Plate	0105150031	1
24	动板轴承组底板	Bearing Plate	0105150034	4
25	U型槽轴承D24H11M6	U Bearing	0202140002	16
26	调节偏心螺母M6	Eccentric Nut	0110150003	8
27	X向皮带压板3MW20	Press Block Up	0105150089	1
28	横档盖子	Cover	0105150023	1
29	塑料侧盖板-圆弧左	Side Cover	0105150069	1
30	塑料侧盖板-圆弧右	Side Cover	0105150070	1

5-1 Y Axis Guide Rail Y向导轨

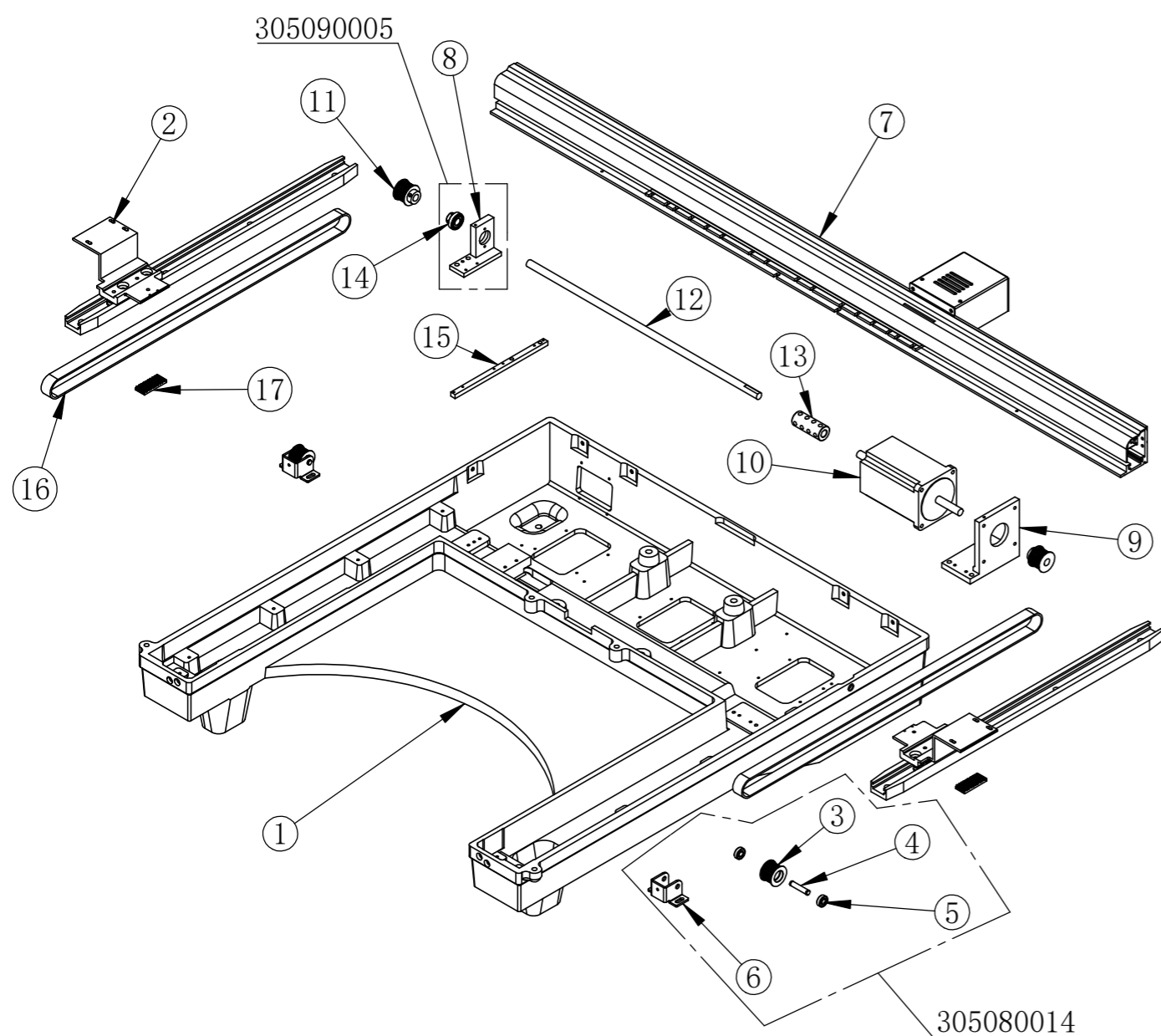


5-1 Y Axis Guide Rail Y向导轨

No.	Chinese Description	Description	Part No.	Qty	
1	Y驱动43型L620铝底座	Guide Rail	105160003	2	
	Y驱动43型L830铝底座	Guide Rail	105160004		
	Y驱动43型L520铝底座	Guide Rail	105160002		
	Y驱动43型L450铝底座	Guide Rail	105160001		
2	Y驱动轴承组座-左	Y Drive Connecting Plate-L	105160009	1	
	Y驱动轴承组座-左	Y Drive Connecting Plate-L	1051600011		
	Y驱动轴承组座-左	Y Drive Connecting Plate-L	1051600013		
3	U型轴承SG66	U Bearing SG66	202140001	8	
	4	Y驱动轴承组座-右	Y Drive Connecting Plate-R	105160010	1
		Y驱动轴承组座-右	Y Drive Connecting Plate-R	105160012	1
5	调节偏心螺母M6	Eccentric Nut	110150003	4	
	6	Y限位光耦片	Y Limit Buffer	105160052	1



## 5-2 Y Drive SystemY 导轨驱动系统

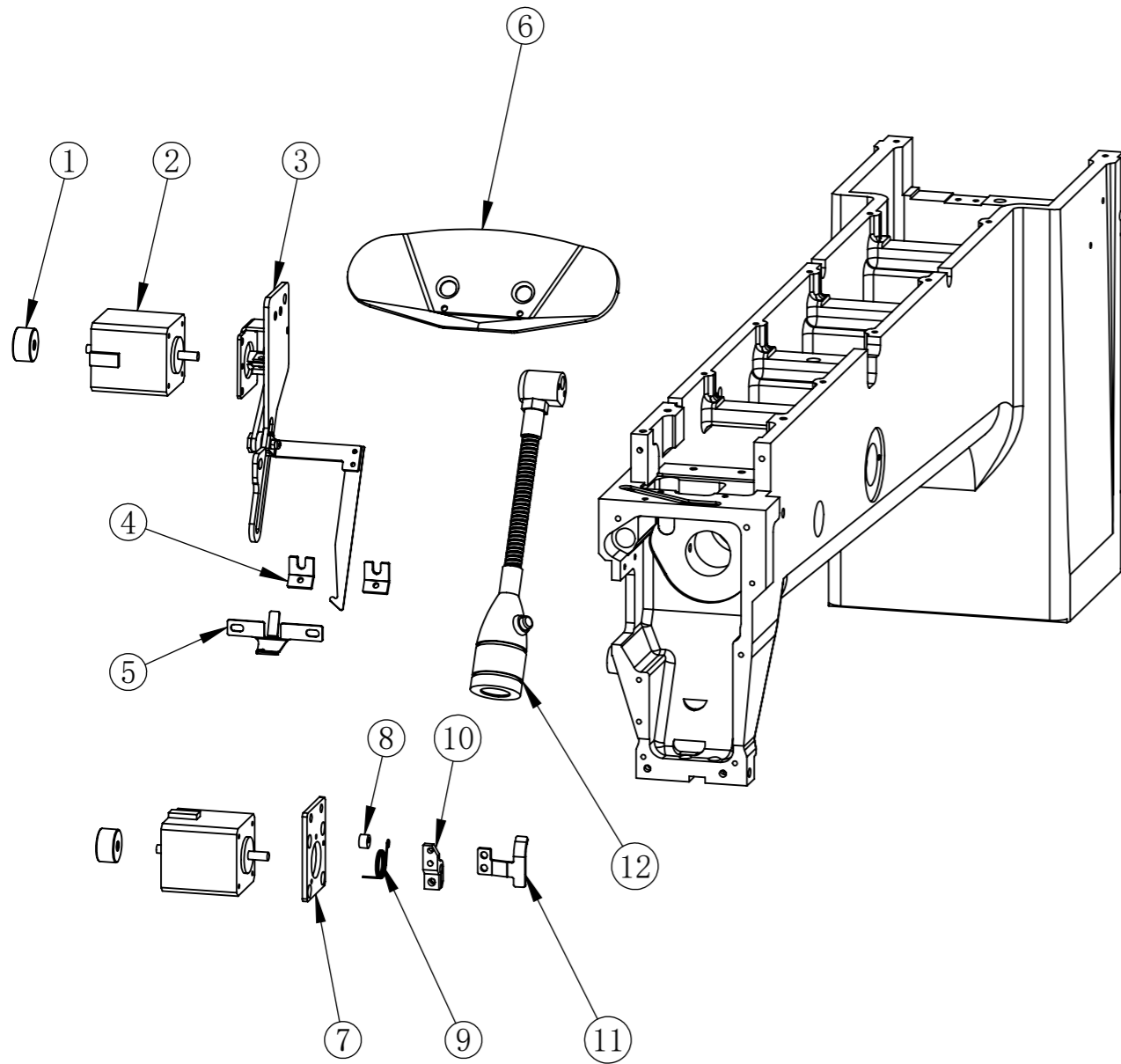


230106

## 5-2 Y Drive SystemY 导轨驱动系统

No.	Chinese Description	Description	Part No.	Qty
1	铝盆Y500	Base	105110001	1
	铝盆Y350	Base	105110003	
	铝盆Y400	Base	105110002	
	铝盆Y700	Base	105110004	
2	Y驱动43型L450组件L	Y Drive Set	305010001	1
	Y驱动43型L450组件R	Y Drive Set	305010002	
	Y驱动43型L520组件L	Y Drive Set	305060003	
	Y驱动43型L520组件R	Y Drive Set	305060004	
	Y驱动43型L620组件L	Y Drive Set	305060005	
	Y驱动43型L620组件R	Y Drive Set	305060006	
	Y驱动43型L830组件L	Y Drive Set	305060007	
	Y驱动43型L830组件R	Y Drive Set	305060008	
	Y驱动43型L830组件L双轨	Y Drive Set	305060010	
	Y驱动43型L830组件R双轨	Y Drive Set	305060011	
3	Y向被动轮5M20TW20	Pulley	105160016	2
4	Y向被动轮轴	Pulley Shaft	105160023	2
5	轴承698	Bearing	202010016	4
6	Y向被动轮座	Y Tension Base	105160022	2
7	X驱动60型L1400装配	X Drive Set	304060023	1
	X驱动60型L850装配	X Drive Set	304060022	
	X驱动60型L740装配	X Drive Set	304060027	
	X驱动60型L1030装配	X Drive Set	304060030	
8	Y轴承座	Bearing Base	105160036	1
9	Y电机座	Y Motor Base	105160034	1
10	马头Y电机	Stepping Motor	206060004	1
11	Y向主动轮 (5M皮带W20)	Pulley	105160015	2
12	Y轴驱动轴 (D12*515)	Y Drive Shaft L=515	105160039	1
	Y轴驱动轴 (D12*295)	Y Drive Shaft L=295	105160037	
	Y轴驱动轴 (D12*360)	Y Drive Shaft L=360	105160040	
13	联轴器D12	Cushing d12	105160050	1
14	联体轴承6902	Bearing 6902 D28d12	202150019	1
15	Y向光耦支撑	Induction Support	105160053	1
16	开口同步带5M-20	Belt	204010011	2
17	Y向皮带压板5MW22L50M5	PRESS BLOCK UP	105160028	2
	Y向皮带压板5MW30L50M5	PRESS BLOCK UP	105160030	

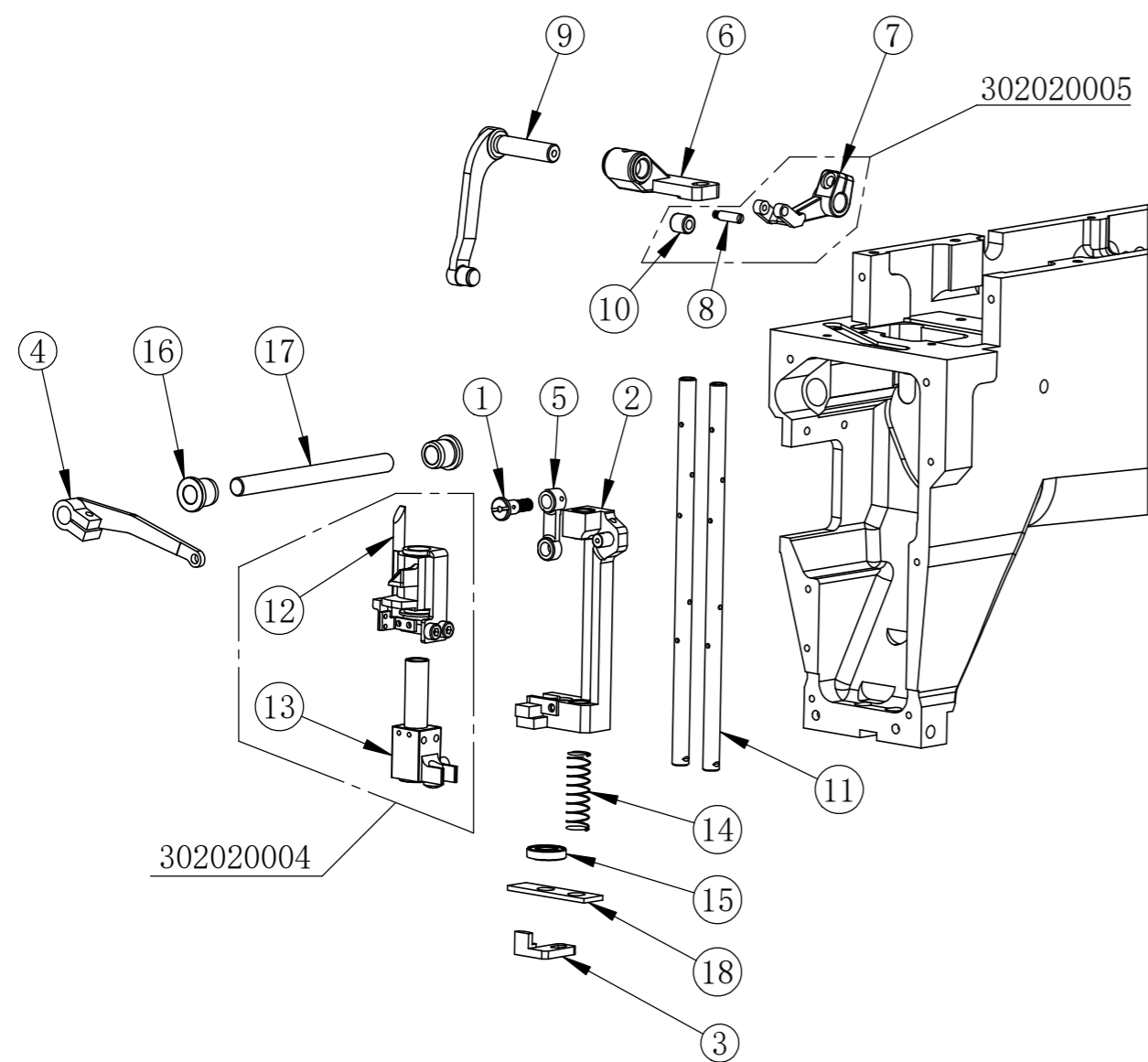
### 6-1 Arm Motor 机头跳跃勾线电机



### 6-1 Arm Motor 机头跳跃勾线电机

No.	Chinese Description	Description	Part No.	Qty
1	电机手动旋钮	Manual Knob	105040001	2
2	马头勾线跳跃电机	Step Motor	206010006	2
3	马头勾线器组件	Thread Hook Set	302010028	1
4	帽挡板固定片	Baffle Bracket-Lower	105040003	2
5	勾刀导向板	Hook Guide	105040004	1
6	帽挡板	Baffle-Lower	105040002	1
7	跳跃马达安装板	Arm Motor Plate	105040005	1
8	橡胶缓冲套	DAMPER RING	102090013	1
9	跳跃扭簧	Spring	105040006	1
10	跳跃加紧块	Arm Jumping Plate	105040007	1
11	跳跃杆支架	Jumping Lever Bracket	105040008	1
12	马头机LED灯	LED Lamp	207050001	1

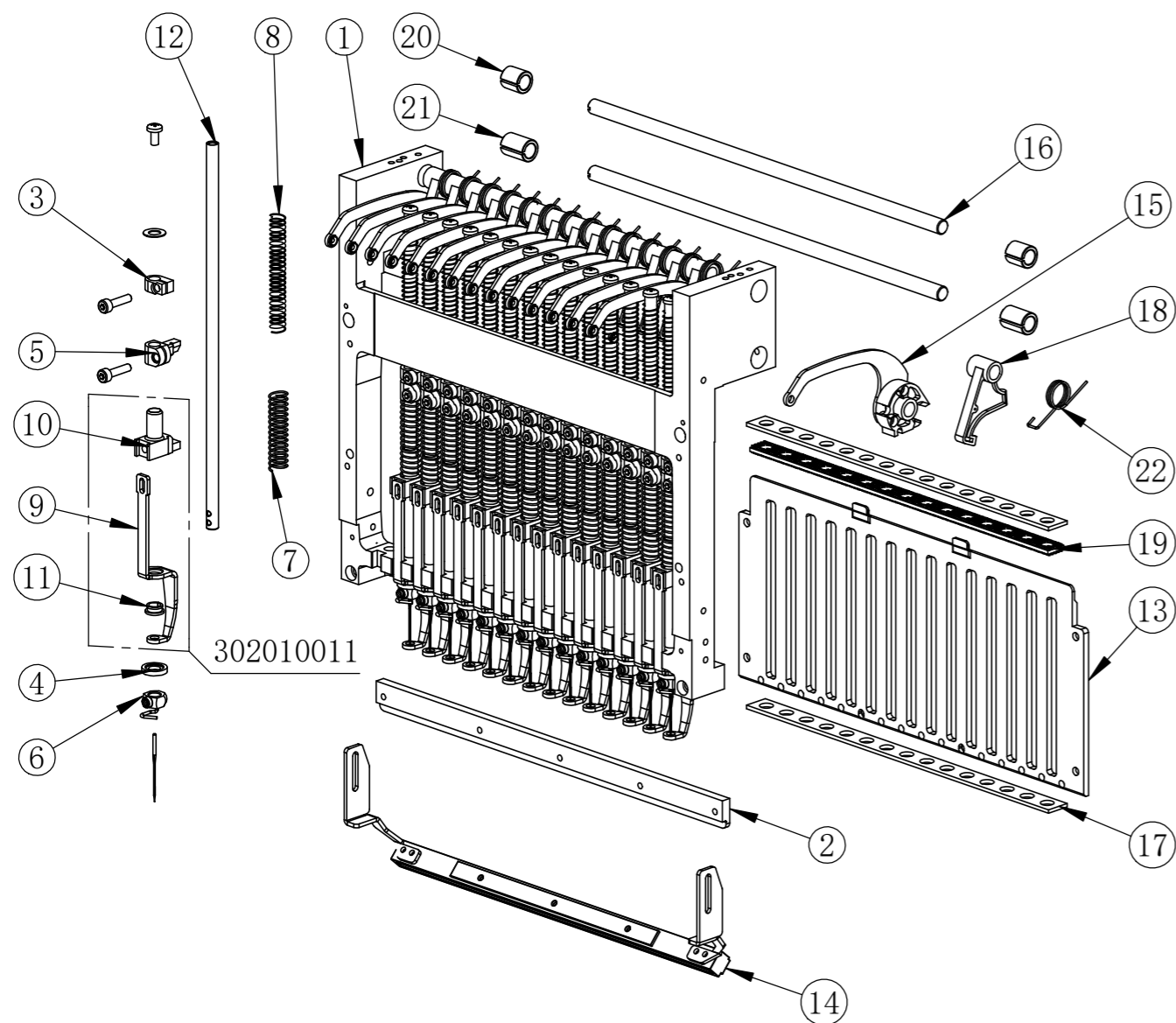
6-2 Needle Bar Driving Cam Set 针杆驱动块 挑线杆AB



6-2 Needle Bar Driving Cam Set 针杆驱动块 挑线杆AB

No.	Chinese Description	Description	Part No.	Qty
1	提压脚连接销	Connecting Rod Pin-L20	105010053	1
2	压脚驱动块组件	Presser Foot Drive Set	105010046	1
3	马头机下导轨定位勾	Positioning Plate	105010025	1
4	提压脚连杆	Drive Arm	105010051	1
5	提压脚小连杆	Presser Foot Connecting Rod	105010052	1
6	挑线连杆座	Take-Up Bar Base	105010028	1
7	挑线老压头连接销	Take-UP Connecting Lever Pin	105010034	1
8	挑线老压头辊子	Driver Returning Rod	105010036	1
9	挑线杆驱动臂	Take-UP Connecting Rod	105010035	1
10	滚针轴承	Bearing NK0808	202070002	1
11	针杆驱动轴	Needle Bar Drive Shaft	105010027	2
12	针杆驱动块	Reciprocator	105010038	1
13	针杆驱动块座	Needle Bar Drive Block	105010041	1
14	马头提压脚弹簧	Spring	105010026	1
15	轴承D17d7点24	Bearing	202010004	1
16	铜套	Oiled Bearing	105070014	2
17	提压脚驱动臂轴	Presser Foot Connecting Rod	105010050	1
18	马头机机头下毛毡	Felt	105010014	1

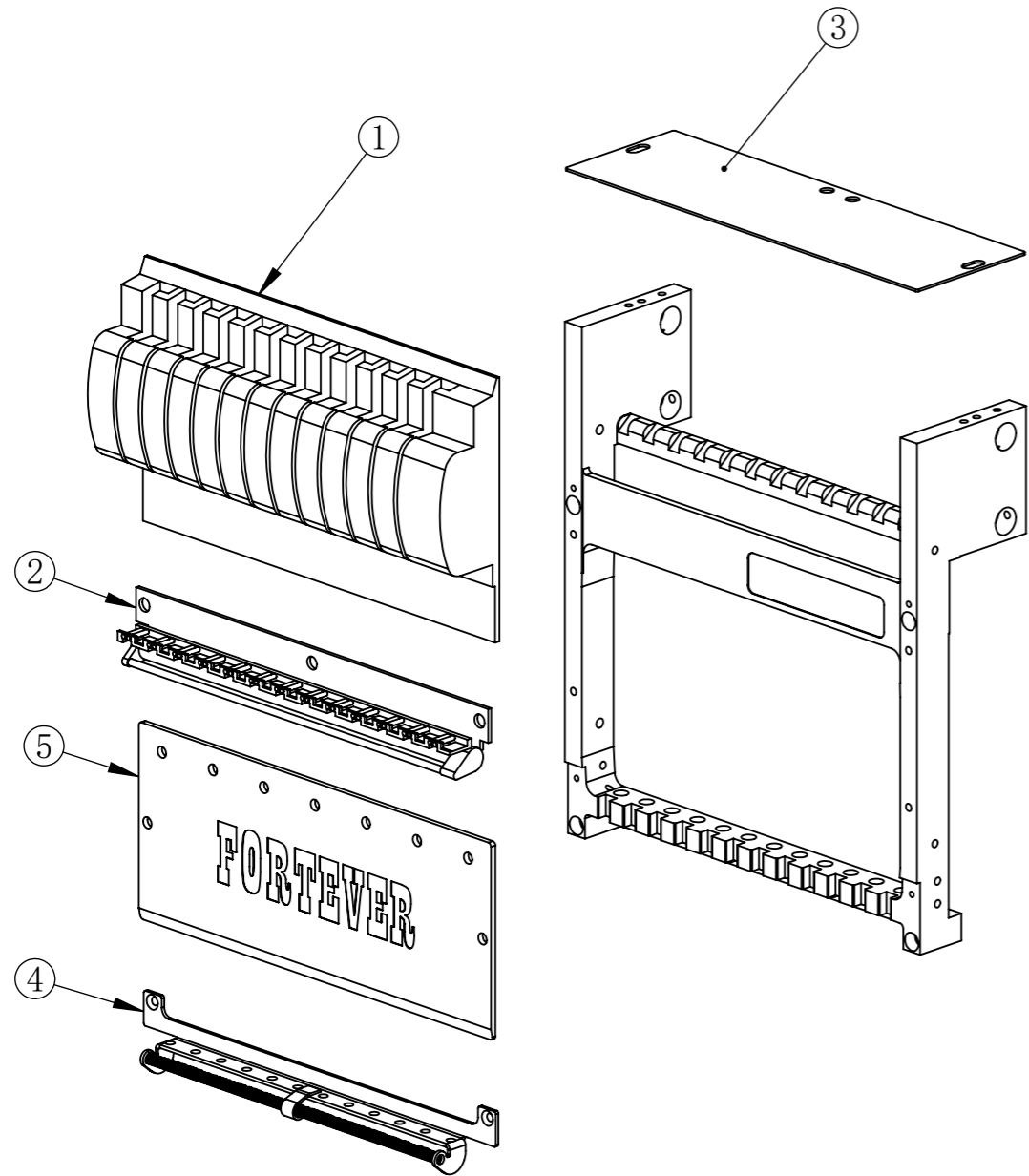
7-1 Needle Bar Case 针架



7-1 Needle Bar Case 针架

No.	Chinese Description	Description	Part No.	Qty
1	针杆架15针	Needle Case	105020004	1
	针杆架12针	Needle Case	105020003	
2	下导轨条 (15针M马头)	Lower Guide Rail	203030026	1
	下导轨条 (12针M马头)	Lower Guide Rail	203030025	
3	上死点制动件	Stopper Upper Poin	102020008	15
4	压脚下弹圈	Washer	102020057	15
5	针杆连接销	Connecting Pin	102020009	15
6	针夹 (连螺钉)	Needle Clamp	102020016	15
7	手动轮弹簧	Spring	102020010	15
8	针杆上弹簧L106 28圈	Upper Spring	102020005	15
	针杆上弹簧L92 21圈	Upper Spring	102020021	
9	压脚 56	Presser Foot	102020014	15
10	压脚调节套	Presser Foot Set Clamp	102020013	
11	压脚中塑料套	Presser Foot Bushing	102020012	15
12	针杆6.35*217	NEEDLE BAR	105020005	15
13	15针防转挡板	Baffle	105020030	1
	12针防转挡板	Baffle	105020029	
14	下毛刷组件15N	Thread Holder	302010043	1
	下毛刷组件12N	Thread Holder	302010042	1
15	挑线杆片	Take-Up Lever	110010038	15
16	挑线杆导向轴15N	Guide Shaft	102020040	2
	挑线杆导向轴12N	Guide Shaft	102020035	
17	下毛毡垫 9N	Felt Packing	102020015	2
18	自扣	Lever Stopper	102020032	15
19	麻垫	Damper Ring	102020007	1
20	针架开口轴衬L12	Split Collar	102020017	2
21	针架开口轴衬L16	Split Collar	102020022	2
	针架开口轴衬L19	Split Collar	102020019	
22	马头机自扣弹簧	Torsion Spring	105200022	15

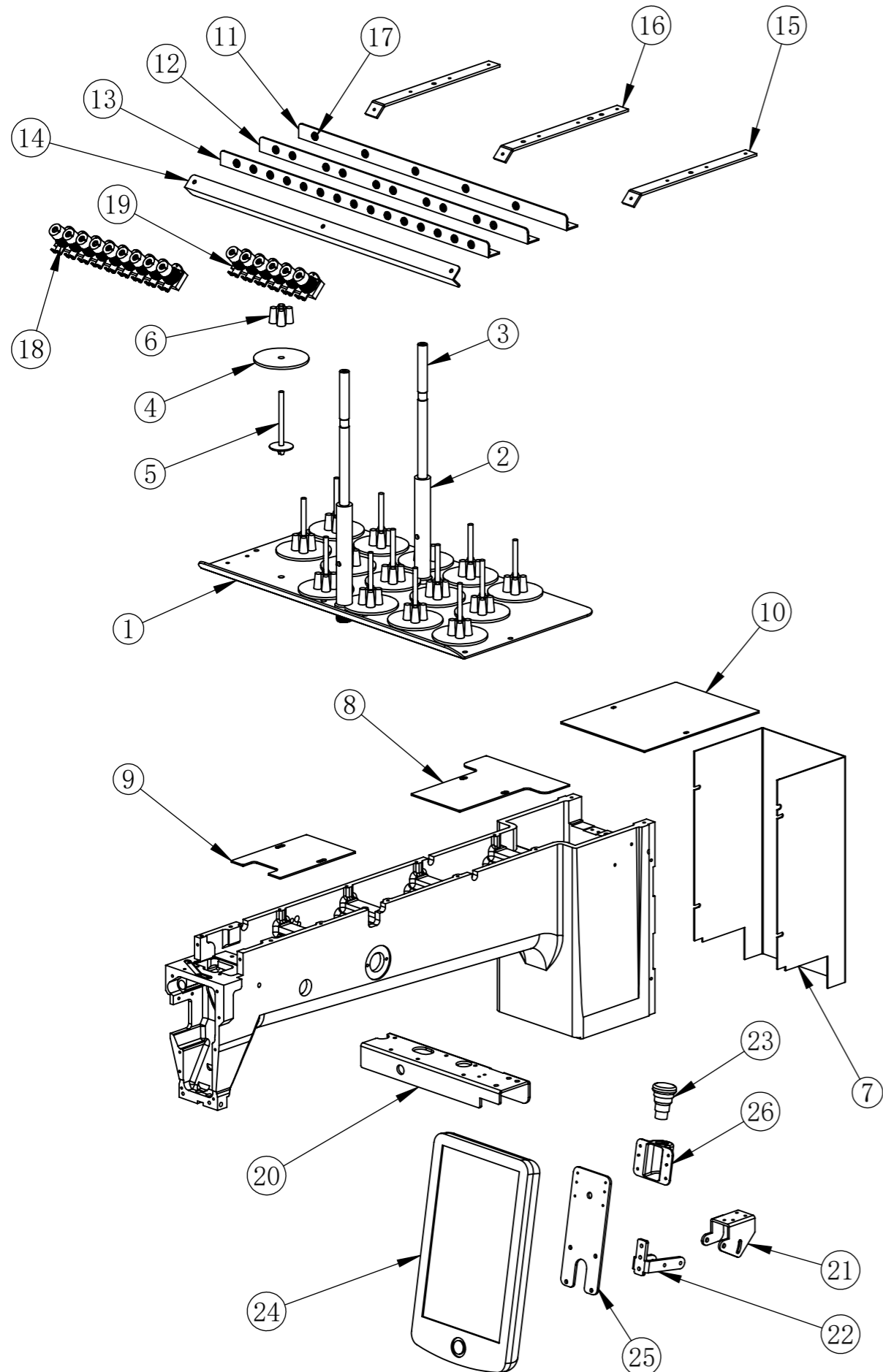
## 7-2 Head Cover Thread Lock 面盖 下过线



## 7-2 Head Cover Thread Lock 面盖 下过线

No.	Chinese Description	Description	Part No.	Qty
1	针架上面板 12N	Take-UP Lever Cover 12N	105020020	1
	针架上面板 15N	Take-UP Lever Cover 15N	105020021	
2	中过线组件 12N带簧式	Middel Thead Guide 12N	302020002	1
	中过线组件 15N带簧式	Middel Thead Guide 15N	302020003	
3	针架上隔板 12N	Top Cover 12N	102020055	1
	针架上隔板 15N	Top Cover 15N	102020056	
4	下过线道组件12N	Lower Thread Course-12	302010057	1
	下过线道组件15N	Lower Thread Course-15	302010058	
5	针架下面板 12针	Under Cover 12N	105020016	1
	针架下面板 15针	Under Cover 15N	105020017	

# 8 Thread Stand 线架

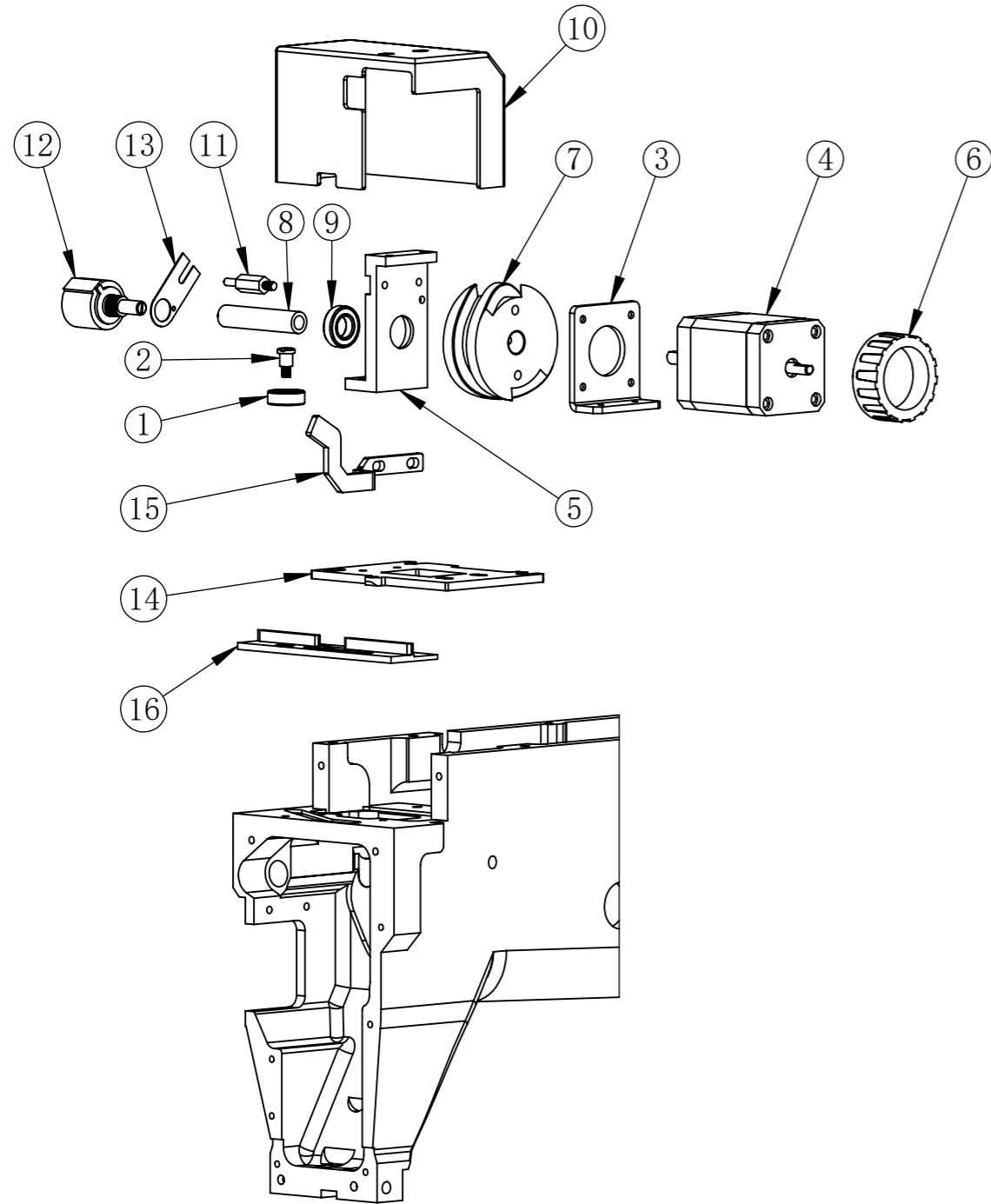


220701

# 8 Thread Stand 线架

No.	Chinese Description	Description	Part No.	Qty
1	大马头15针线盘	Thread Stand Plate	105210003	1
	大马头12针线盘	Thread Stand Plate	105210002	1
2	线架立柱下	Thread Stand Column	105210005	2
3	线架立柱上	Thread Stand Column	105210004	2
4	线盘毛毡垫	Felt	105210030	15
5	塑料线钉	Pin	105210028	15
6	线钉张紧塑料块	Block	105210029	15
7	后罩盖Y500	Rear cover	105110021	1
	后罩盖Y350/400	Rear cover	105110022	
	后罩盖Y700	Rear cover	105110023	
8	机头顶后盖板Y500	Back	105110027	1
	机头顶后盖板Y700	Back	105110028	
9	机头顶前盖板Y500	Front Cover	105110025	1
	机头顶前盖板Y350	Front Cover	105110024	
	机头顶前盖板Y700	Front Cover	105110026	
10	马头后上盖板Y500	Front Cover	105110029	1
	马头后上盖板Y350	Front Cover	105110030	
	马头后上盖板Y700	Front Cover	105110031	
11	过线道角铝后	Aluminum Strip 15-5	105210009	1
	过线道角铝后	Aluminum Strip 12-4	105210008	1
12	过线道角铝中后	Aluminum Strip 15-10	105210013	1
	过线道角铝中后	Aluminum Strip 12-8	105210012	1
13	过线道角铝中前	Aluminum Strip 15-15	105210017	1
	过线道角铝中前	Aluminum Strip 12-12	105210016	1
14	过线道角铝前	Aluminum Strip 15-3	105210021	1
	过线道角铝前	Aluminum Strip 12-3	105210020	1
15	线架横档-马头机两边	Thread Lead Plate	105210025	2
16	线架横档-马头机中	Hread Lead Plate	105210024	1
17	线架瓷眼	Porcelain Sleeve	105210001	30
18	过线钮组件9钮	Thread Tension Set	105210026	1
19	过线钮组件6钮	Thread Tension Set	105210027	1
20	显示器支架	Face Plate Bracket Base	105090005	1
21	操作头支架B	Face Plate Stand B	105090003	1
22	操作头支架A	Face Plate Stand A	105090001	1
23	小急停开关	Emergency Stop Switch	207060001	1
24	电脑操作头	RCM Operation Panel		1
25	急停支架板	Plate	105090002	1
26	急停开关盒	Box	105090020	1

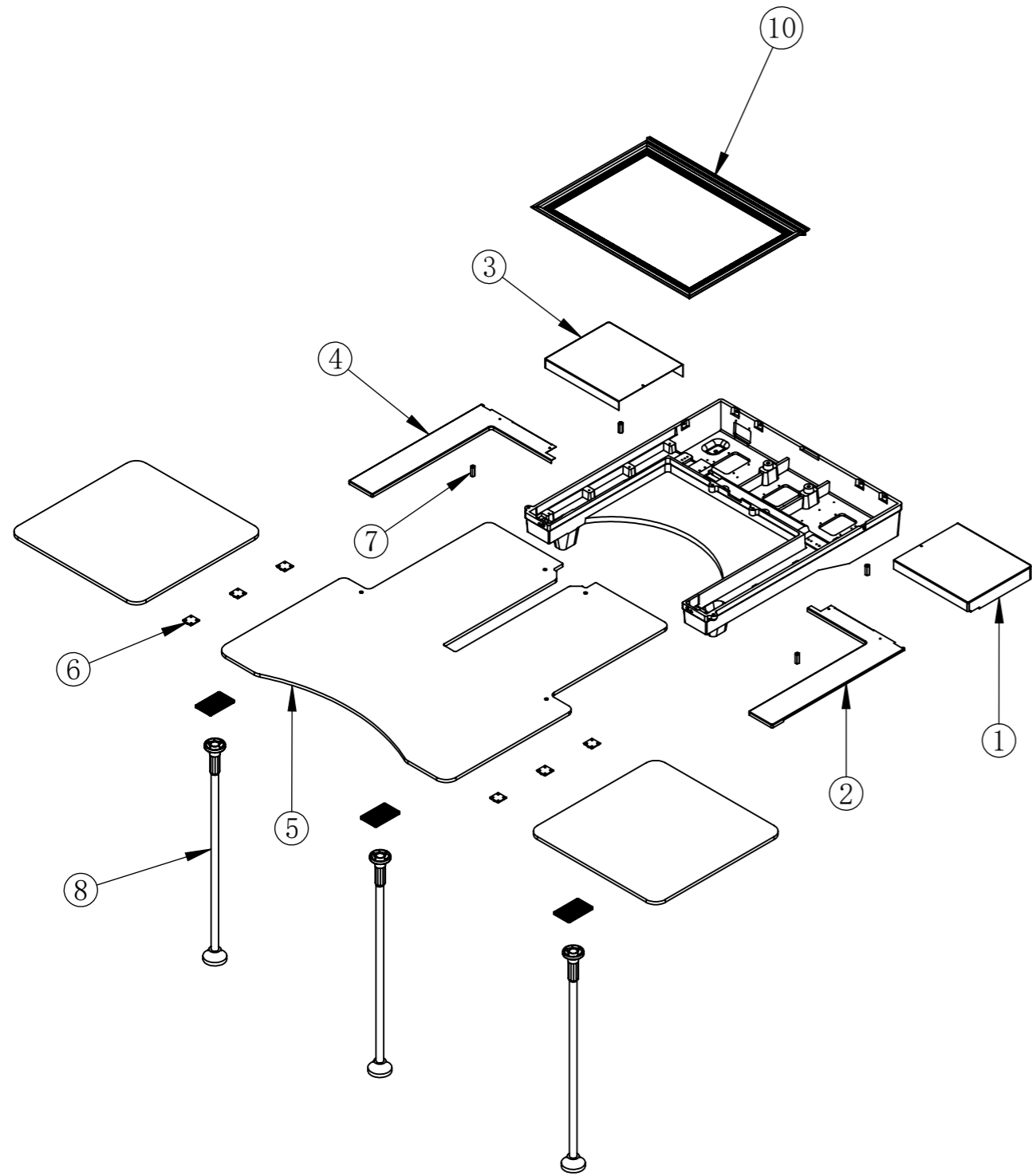
## 10 Color Change Parts 换色



## 10 Color Change Parts 换色

No.	Chinese Description	Description	Part No.	Qty
1	轴承606	Bearing	202010012	1
2	换色轴承台阶销（带螺纹）	Pin	105080005	1
3	换色马达座	Motor Base	105080003	1
4	马头换色电机	Motor 42H53-1206B-MTJ-02	206010008	1
5	换色轴承座	Bearing Plate	105080002	1
6	电机手柄	Handle	105080006	1
7	换色 凸轮	Cam	105080001	1
8	换色凸轮轴套	Bushing	105080009	1
9	轴承6800	Bearing	202010011	1
10	换色凸轮塑料罩	Cover	105080008	1
11	电位器螺栓	Fixed Bolt	105080004	1
12	马头机换色电位器	Potentiometer	207020001	1
13	电位器支撑板	Potentiometer Support	105080010	1
14	换色凸轮安装底板	Color Change Base	105080007	1
15	断线检测拨杆	Detection Paddle-Short	105080020	1
	断线检测拨杆	Detection Paddle-Long	105080020	1
16	马头换色导条	Guide Strip	105010021	1

# 11 Table 台板

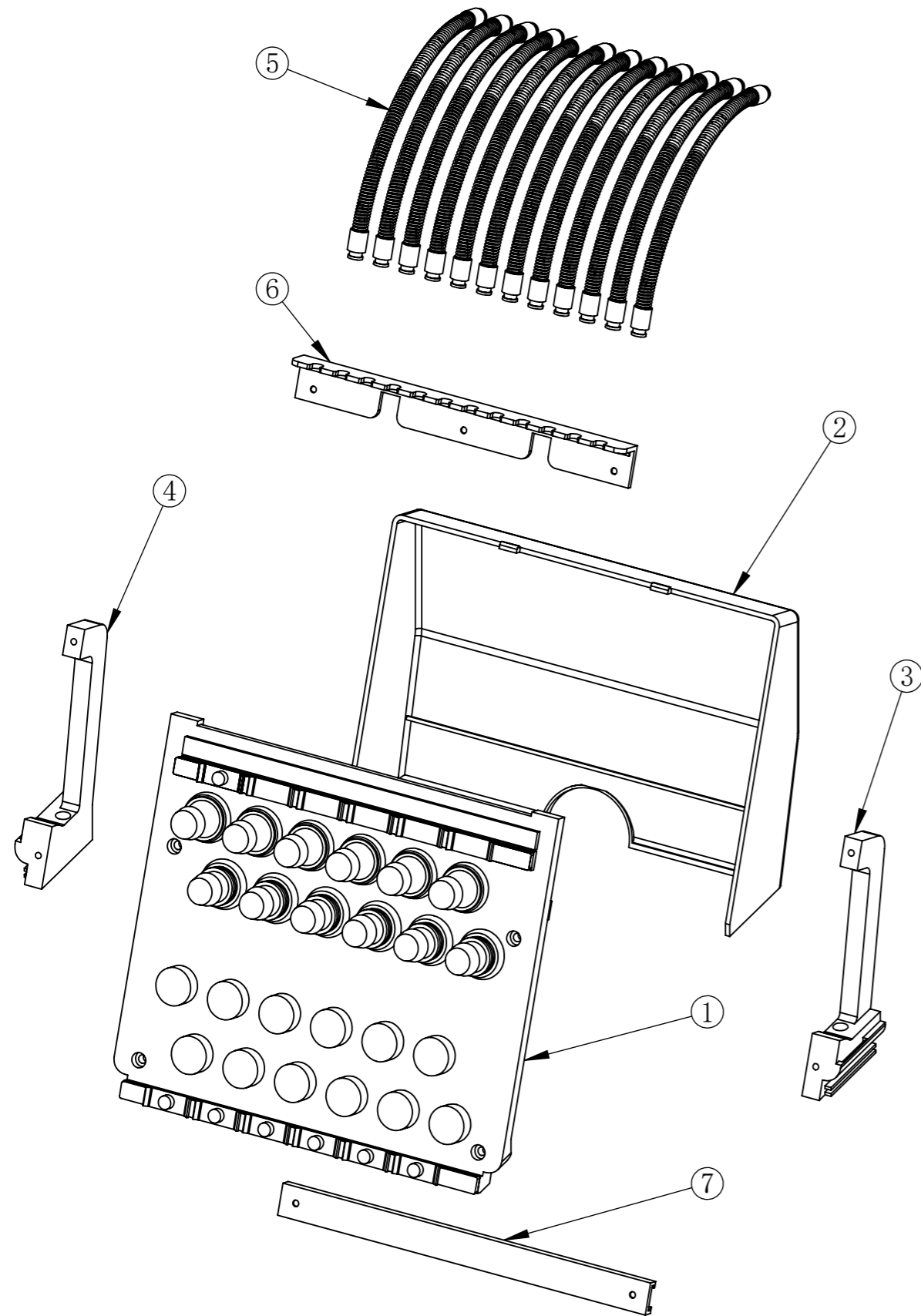


# 11 Table 台板

No.	Chinese Description	Description	Part No.	Qty
1	右后盖Y500	Cover Rear R	105110017	1
	右后盖Y350/400	Cover Rear R	105110018	
2	L型右前盖Y500	Cover Front R	105110014	1
	L型右前盖Y400	Cover Front R	105110015	
	L型右前盖Y350	Cover Front R	105110016	
	Y700铁盆不锈钢盖板 (右)	Cover Front R	105110051	
3	左后盖Y500	Cover Rear L	105110019	1
	左后盖Y350/400	Cover Rear L	105110020	
4	L型左前盖Y500	Cover Front L	105110011	1
	L型左前盖Y400	Cover Front L	105110012	
	L型左前盖Y350	Cover Front L	105110013	
	Y700铁盆不锈钢盖板 (左)	Cover Front L	105110050	
5	抗倍特台板	Flatbed Embroidery Table	105130006	1
6	4040合页	Hinge	105110105	6
7	台板垫高螺柱	Mat High Stud	105110043	4
8	台板支撑组件总高885	Table Support-885	311010003	3
10	马头机绣框	Sash Frame		1



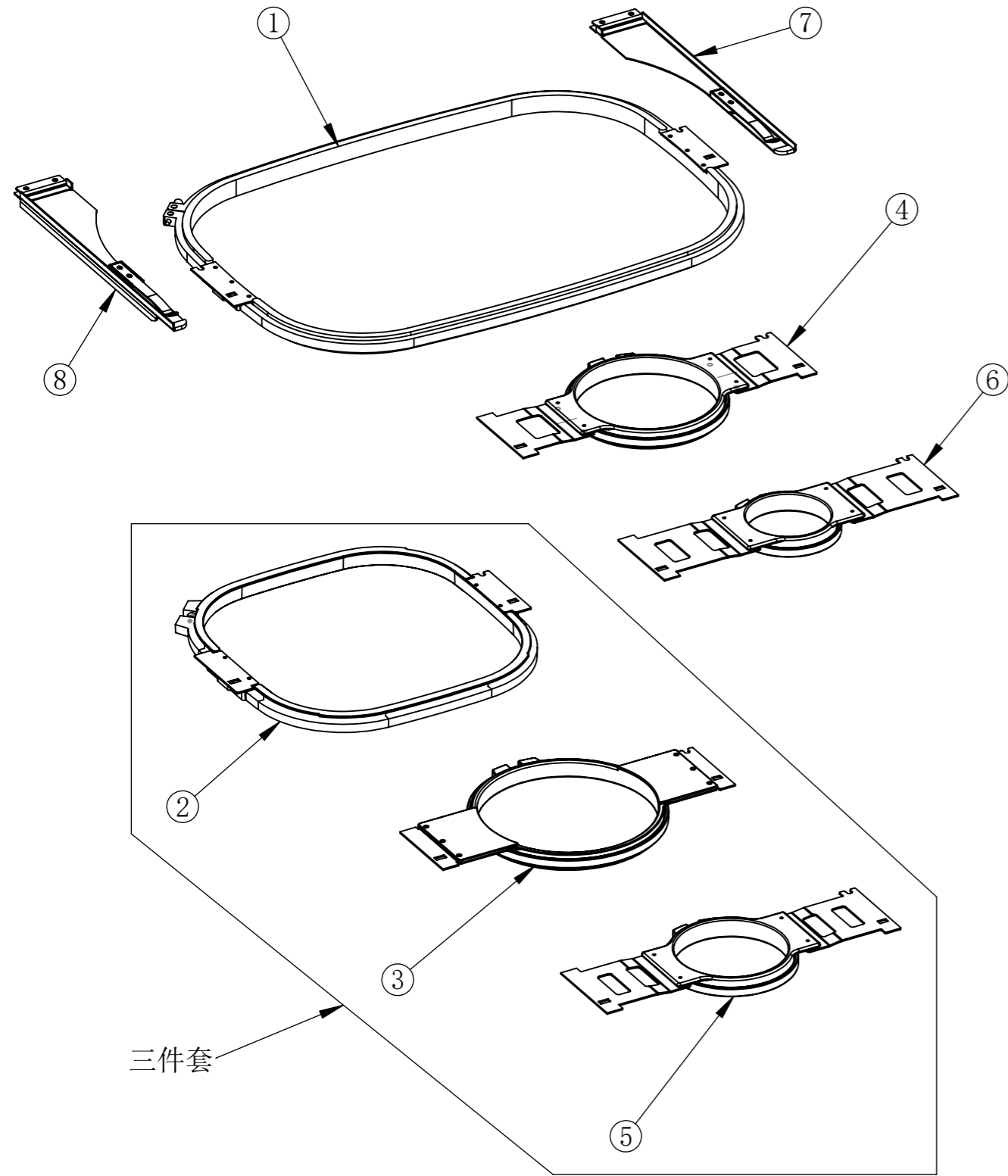
## 12. Tension 夹线器



## 12. Tension 夹线器

No.	Chinese Description	Description	Part No.	Qty
1	夹线器面板12针	Thread Lead Plate-12	105060008	1
	夹线器面板15针	Thread Lead Plate-15	105060009	1
2	夹线器后罩壳12针	Rear Cover For-12	105060004	1
	夹线器后罩壳15针	Rear Cover For-15	105060005	1
3	夹线器支架 (右)	Support-R	105060002	1
4	夹线器支架 (左)	Support-L	105060001	1
5	过道线组件	Wiring Assembly	105060010	12
6	压线基板12针	Thread Lead Plant-12	105060011	1
	压线基板15针	Thread Lead Plant-15	105060012	1
7	断线感应滑轨12针	Slider For-12	105060013	1
	断线感应滑轨15针	Slider For-15	105060014	1

## 16. Embroidery Frame 绷架



## 16. Embroidery Frame 绷架

No.	Chinese Description	Description	Part No.	Qty
1	马头机绷架360X540绿色	Rectangle Frame-360X540	316010007	1
2	马头机绷架300X300绿色	Rectangle Frame-300X300	316010005	1
3	马头机绷架D200绿色	Round Frame-D200	316010004	1
4	马头机绷架D150绿色	Round Frame-D150	316010003	1
5	马头机绷架D120绿色	Round Frame-D120	316010002	1
6	马头机绷架D90绿色	Round Frame-D90	316010001	1
7	马头右扶手283	Frame Bracket Set-R	105190009	1
8	马头左扶手283	Frame Bracket Set-L	105190008	1
三件套	马头机绷架300X300绿色	Rectangle Frame-300X300	316010005	1
	马头机绷架D200绿色	Round Frame-D200	316010004	1
	马头机绷架D120绿色	Round Frame-D120	316010002	1