



PARTS REFERENCE LIST

MODEL: PR680W
PR680WC

CONFIDENTIAL

Country Code & Abbreviation of Country Name

Country Code	Abbr.	Country Name	Country Code	Abbr.	Country Name	Country Code	Abbr.	Country Name
USA/Canada			Europe			Asia/Oceania		
200	USA	America	401	ZAF	South Africa	601	KOR	Korea
251	CAN	Canada	402	EGY	Egypt	603	TWN	Taiwan
			411	MUS	Mauritius	604	HKG	Hong Kong
301	PER	Peru				605	VNM	Vietnam
302	ARG	Argentina	501	IRE	Ireland	606	IDN	Indonesia
303	CHL	Chile	502	DEU	Germany	607	PHL	Philippines
304	PRY	Paraguay	503	BEL	Belgium	608	MYS	Malaysia
305	URY	Uruguay	505	UK	United Kingdom	609	SGP	Singapore
306	BRA	Brazil	506	FRA	France	615	IND	India
307	VEN	Venezuela	507	NOR	Norway	616	THA	Thailand
308	MEX	Mexico	508	NLD	Netherlands	622	CHN	China
309	COL	Colombia	509	AUT	Austria		MMR	Myanmar
310	PAN	Panama	510	GRC	Greece			
318	GTM	Guatemala	511	SWE	Sweden	701	AUS	Australia
324	GUF	FR. Guiana	515	ESP	Spain	702	NZL	New Zealand
330	BRB	Barabados	516	PRT	Portugal			
399	-	Latin Ameriva 2&5	517	ITA	Italy	902	ISR	Israel
			519	FIN	Finland	903	SYR	Syria
			520	CHE	Switzerland	904	TUR	Turkey
			521	DNK	Denmark	905	JOR	Jordan
			524	MLT	Malta	906	KWT	Kuwait
			550	EEU	East Europe	908	SAU	Saudi Arabia
			556	RUS	Russia	909	IRQ	Iraq
			599	NEU	North Europe	910	IRN	Iran
				CZE	Czech	911	CYP	Cyprus
				POL	Poland	915	UAE	United Arab Emirates
				HUN	Hungary			
				ROU	Romania			
				LVA	Latvia			

Meaning of marks

H : High mortality parts
 R/H : Recommend spare parts & High mortality parts
 R : Recommend spare parts

No.	CODE	NAME	MODEL	SPEC	REMARKS	R/H
1	XA9644050	T BELT				H
2	XA8474051	UPSET 4X12 DB				
3	XA9652150	MOTOR FAN				
4	XG8451001	MAIN MOTOR ASSY				R/H
5	XA9649050	FENDER RUBBER				
6	XC0443051	SPACER 4X7				
7	XE1142001	NEEDLE PLATE				R
8	XC6404051	SCREW,FLAT M4				
9	062400816	SCREW, PAN M4X8				
10	XC5863251	CUTTER BRACKET			1000055773	✓
11	XC5882051	*1 FIXED KNIFE				
12	S32476001	COLLAR, M-KNIFE				

There is additional information at the bottom of the list.

There is additional information on the last page.

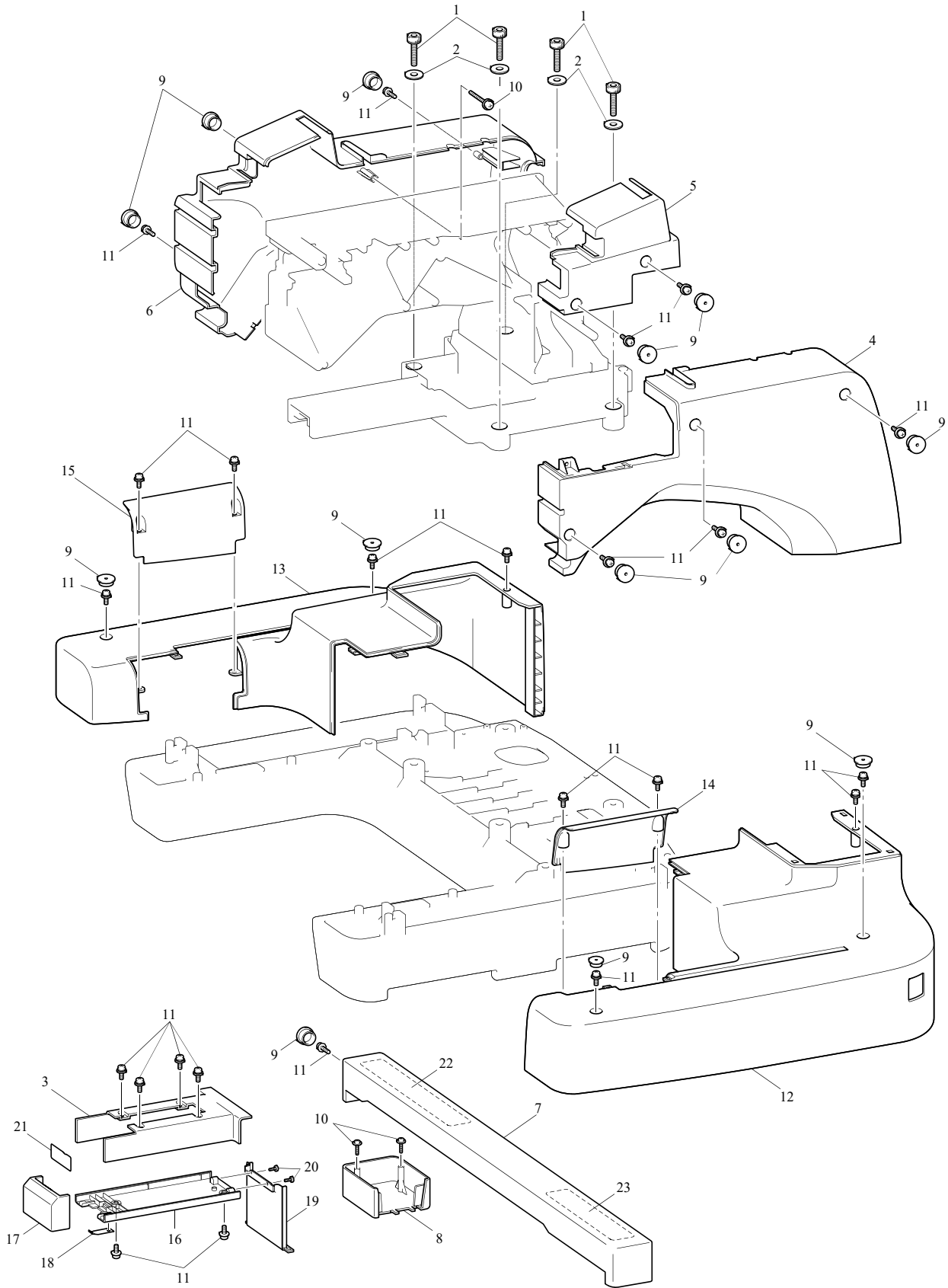
CONTENTS

(1)	MAIN FRAME / COVER	6
(2)	UPPER SHAFT MECHANISM	8
(3)-1	NEEDLE BAR MECHANISM	11
(3)-2	NEEDLE BAR MECHANISM	14
(4)	NEEDLE CHANGER UNIT	16
(5)	NEEDLE THREADING MECHANISM	18
(6)-1	ELECTRIC PARTS	20
(6)-2	ELECTRIC PARTS	22
(7)	MAIN MOTOR UNIT	24
(8)-1	XYCARRIAGE MECHANISM	26
(8)-2	XYCARRIAGE MECHANISM	29
(8)-3	XYCARRIAGE MECHANISM	31
(9)	LOWER SHAFT MECHANISM	34
(10)	THREAD CUTTING MECHANISM	36
(11)	WIPER MECHANISM	39
(12)-1	UPPER THREADING MECHANISM	41
(12)-2	UPPER THREADING MECHANISM	44
(13)	ACCESSORY PARTS	46
(14)	PACKAGE / USER MANUAL	49
(15)	SPARE PARTS	52

Note on parts:

We keep performance parts for this product for at least 8 years after this model is discontinued.
Performance parts are the necessary parts to maintain the function of the product.

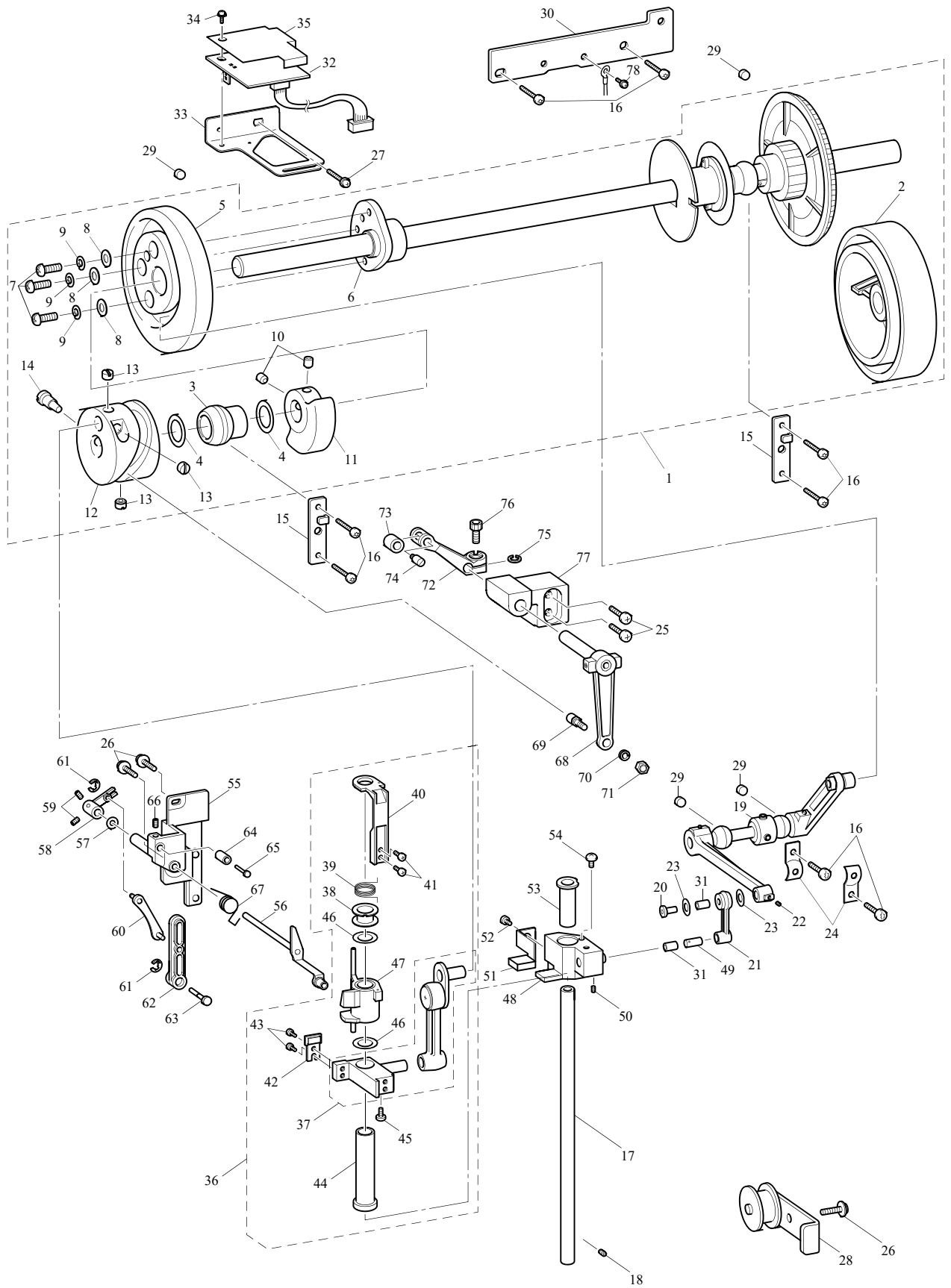
(1)_MAIN FRAME / COVER



(1)_MAIN FRAME / COVER

No.	CODE	NAME	MODEL	SPEC	REMARKS	R/H
1	018083536	BOLT, SOCKET M8X35				
2	025080236	WASHER, PLAIN M 8				
3	XE1807102	BED COVER TOP				R
4	XC5589259	ARM COVER R				R
5	XC5590352	ARM COVER R LID				R
6	XC5591359	ARM COVER L				R
7	XC5592252	CARRIAGE COVER				R
8	XC5593052	MOTOR COVER				R
9	XC5594052	SCREW COVER				
10	087411416	TAPTITE, CUP B M4X14				
11	XH4900101	SCREW, PAN (S/P WASHER) M4X10				
12	XC5647252	BASE COVER R ASSY				R
13	XC5654252	BASE COVER L ASSY				R
14	XC5659152	BASE COVER R LID ASSY				R
15	XC5669152	BASE COVER L LID ASSY				R
16	XC5587052	BED COVER BOTTOM				R
17	XF7357001	HOOK COVER ASSY		USA		R
17	XE1806102	ROTARY HOOK COVER		EXCEPT: USA		R
18	X53638151	SPRING				
19	XC6066052	BED COVER LID				R
20	X59629051	TAPTITE, BIND B M3X10				
21	XC6552051	OILING CAUTION LABEL				
22	XE8643101	LABEL INJURY 32X161				
23	XE8328201	LABEL INJURY 32X161				

(2)_UPPER SHAFT MECHANISM



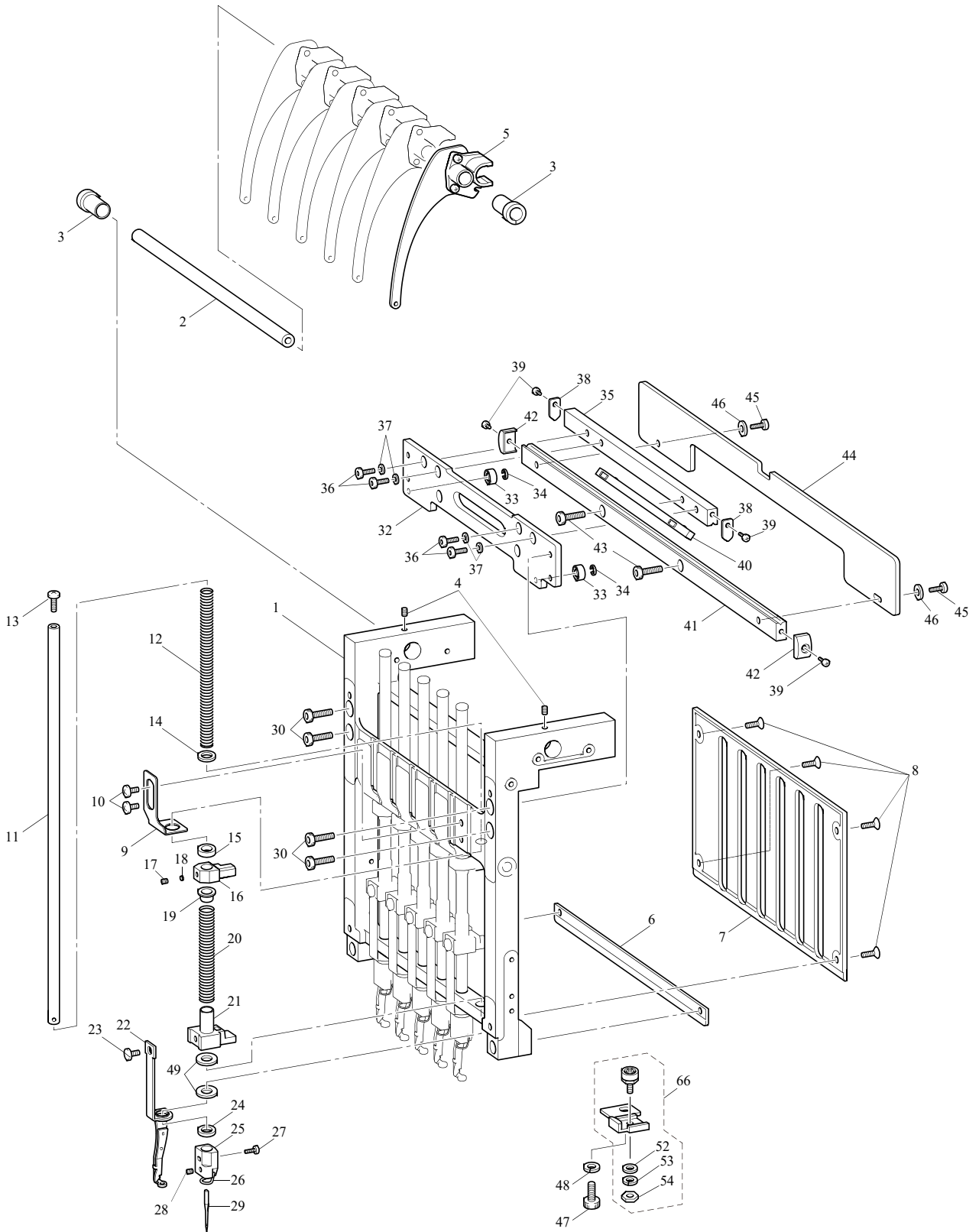
(2)_UPPER SHAFT MECHANISM

No.	CODE	NAME	MODEL	SPEC	REMARKS	R/H
1	XE3702302	UPPER SHAFT SUPPLY ASSY				
2	XC5597152	PULLEY				
3	XC5603051	UPPER SHAFT METAL				
4	X55548050	WASHER,TRUST				
5	XC5605251	PRESSER FOOT CAM				
6	XC5606051	PRESSER FOOT CAM COLLAR				
7	062401213	SCREW PAN M4X12				
8	025040133	WASHER, PLAIN S 4				
9	028040343	WASHER SPRING 3-4				
10	014500632	SET SCREW SOCKET (CP) M5X6				
11	XC5607051	BALANCER				
12	XC5609051	THREAD TAKE-UP CAM				
13	XE1211001	SET SCREW (CP) SM6.35				
14	XC5610051	SCREW				
15	XC6362051	METAL PRESSER				
16	X57908052	TAPTITE, BIND S M4X10				
17	XC5623051	BASE NEEDLE BAR				
18	014500632	SET SCREW, SOCKET (CP) M5X6				
19	XC5624351	DRIVING SHAFT ASSY, P-FOOT				
20	XC5632251	P-FOOT LEVER SHAFT				
21	XC5633251	CONNECTING ROD, P-FOOT				
22	014400432	SET SCREW, SOCKET (CP) M4X4				
23	X50546050	WASHER, THRUST				
24	132421051	BUSHING PRESSER				
25	060501216	SCREW, BIND M5X12				
26	XH4900101	SCREW PAN (S/P WASHER) M4X10				
27	0A4401006	SCREW PAN (S/P WASHER) M4X10				
28	XC6784151	TENSION PULLEY ASSY				
29	XC3183051	FELT				
30	XD0767051	LED PCB PLATE				
31	XZ0207051	LINK FELT, 3.3M				
32	XG5493001	MAIN SHAFT SENSOR PCB ASSY				
33	XC5666051	SENSOR HOLDER				
34	XC7564051	SCREW, PAN (S/P WASHER) M3X6				
35	XH4690001	INSULATION SHEET				
36	XZ0319251	JUMP BRACKET ASSY			2000018448	
37	XC7135051	CRANK ROD SET				H
38	XC5616051	J SPRING COLLAR				
39	XC5617051	J SPRING				
40	XC5614051	J BRACKET				
41	062300416	SCREW, PAN M3X4				
42	XC5622051	J CUSHION BASE				
43	062260316	SCREW, PAN M2.6X3				
44	XC5621151	J VERTICAL BUSH			2000018448	

(2)_UPPER SHAFT MECHANISM

No.	CODE	NAME	MODEL	SPEC	REMARKS	R/H
45	008260306	SCREW, TRUSS M2.6X3			2000017597	
46	131976050	WASHER, THRUST				
47	XE7550001	JUMP BRACKET				
48	XC5635151	P-FOOT VERTICAL BASE				
49	XC5636151	P-FOOT VERTICAL PIN				
50	014400432	SET SCREW, SOCKET (CP) M4X4				
51	XC5638251	PRESSER FOOT CUSHION BASE				H
52	060300516	SCREW, BIND M3X5				
53	XC5637151	P-FOOT VERTICAL BUSH			2000018448	
54	008260306	SCREW, TRUSS M2.6X3			2000017597	
55	XC5648051	J BASE ASSY				
56	XC5651051	J DRIVING LEVER ASSY				
57	X53027050	WASHER				
58	XC5656051	J DIFFERENTIAL LEVER				
59	014300432	SET SCREW, SOCKET (CP) M3X4				
60	XC5657051	J LINK ASSY				
61	048040343	RETAINING RING, E4				
62	XC5661051	J SLIDE LEVER				
63	XC5662051	J SLIDE LEVER SHAFT				
64	XC5663051	J CUSHION				
65	XC5664051	J CUSHION PIN				
66	012300432	SET SCREW, SOCKET (FT) M3X4				
67	XC5665051	J LEVER SPRING				
68	XC5639151	DRIVING LEVER ASSY T/TAKE-UP			2000019250	
69	XC5627051	ROLLER SHAFT ASSY				
70	028050246	WASHER, SPRING 2-5				
71	021500103	NUT, 1 M5				
72	XC5645051	DIFFERENTIAL LEVER, T/TAKE-UP				
73	XH4616001	ROLLER				
74	XH4482001	THREAD TAKE-UP ROLLER PIN				
75	148782001	SPACER				
76	018501232	BOLT, SOCKET M5X12				
77	XC5646051	BEARING, T/TAKE-UP				
78	XC7564051	SCREW PAN(S/P WASHER)M3X6				

(3)-1_NEEDLE BAR MECHANISM



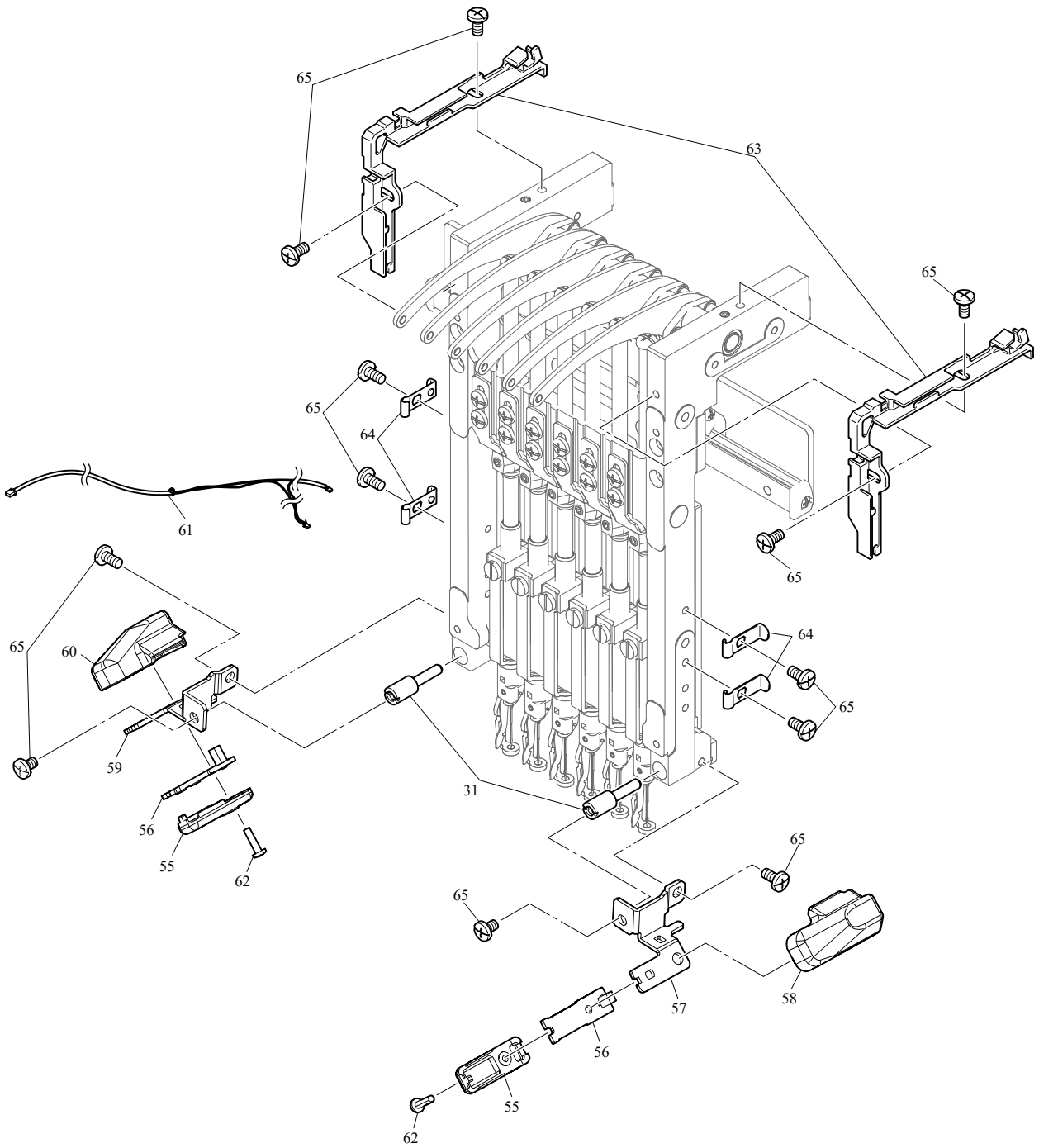
(3)-1_NEEDLE BAR MECHANISM

No.	CODE	NAME	MODEL	SPEC	REMARKS	R/H
1	XC4954251	NEEDLE BAR CASE ASSY				
2	XC5671051	THREAD TAKE-UP SHAFT				
3	XC5672051	THREAD TAKE-UP BUSH				
4	012400432	SET SCREW, SOCKET (FT) M4X4				
5	XC5673051	THREAD TAKE-UP LEVER ASSY				
6	XC5676051	CASE GUIDE, D				
7	XC5677051	GUIDE RAIL, NEEDLE BAR				
8	004401003	SCREW, FLAT M4X10				
9	XC5678151	TOP DEAD CENTER PLATE				
10	060400616	SCREW, BIND M4X6				
11	XC5679051	NEEDLE BAR				
12	XC5680051	SPRING, NEEDLE BAR				
13	062500816	SCREW, PAN M5X8				
14	118735002	WASHER				
15	S36153100	RUBBER, CUSHION				H
16	XE1172001	NEEDLE BAR CLAMP				
17	014680432	SET SCREW, SOCKET SM4.37-40X4				
18	100507050	WASHER				
19	XC5682051	PRESSER FOOT SPRING COLLAR				
20	XC5683051	PRESSER FOOT SPRING				
21	XC5684051	PRESSER FOOT CLAMP				
22	XC5685151	PRESSER FOOT ASSY				
23	XC5688051	SCREW, P/F				
24	XC5689051	PRESSER FOOT CUSHION				H
25	XC5690051	THREAD GUIDE, NEEDLE BAR				
26	XC7020051	THREAD GUIDE				
27	XC7021052	SCREW SM 2.38				
28	016300436	SET SCREW, SOCKET (CN) M3X4				
29	XC5691011	NEEDLE HAX130 EBBR				
30	018401632	BOLT, SOCKET M4X16				
32	XC5693051	CASE BRACKET ASSY				
33	070694809	BALL BEARING RADIAL 694ZZ				
34	048030343	RETAINING RING, E3				
35	XC5696051	CASE GUIDE, US				
36	018400832	BOLT, SOCKET M4X8				
37	XC7406051	WASHER				
38	XC5697051	SLIDE ROLLER STOPPER				
39	062300416	SCREW, PAN M3X4				
40	XC5698051	SLIDE ROLLER				
41	XC5699051	CASE GUIDE, UL				
42	XC5700051	CASE GUIDE COVER, UL				
43	018401232	BOLT, SOCKET M4X12				
44	XC5701051	THREAD TAKE-UP GUIDE				
45	062400816	SCREW, PAN M4X8				

(3)-1_NEEDLE BAR MECHANISM

No.	CODE	NAME	MODEL	SPEC	REMARKS	R/H
46	025040236	WASHER, PLAIN M 4				
47	018501632	BOLT SOCKET M5X16				
48	028050246	WASHER SPRING 2-5				
49	XC7249052	NEEDLE BAR FELT S				H
52	025040236	WASHER PLAIN M 4				
53	028040246	WASHER SPRING 2-4				
54	021400206	NUT 2 M4				
66	XZ0317151	CASE POSITIONING PLATE ASSY				

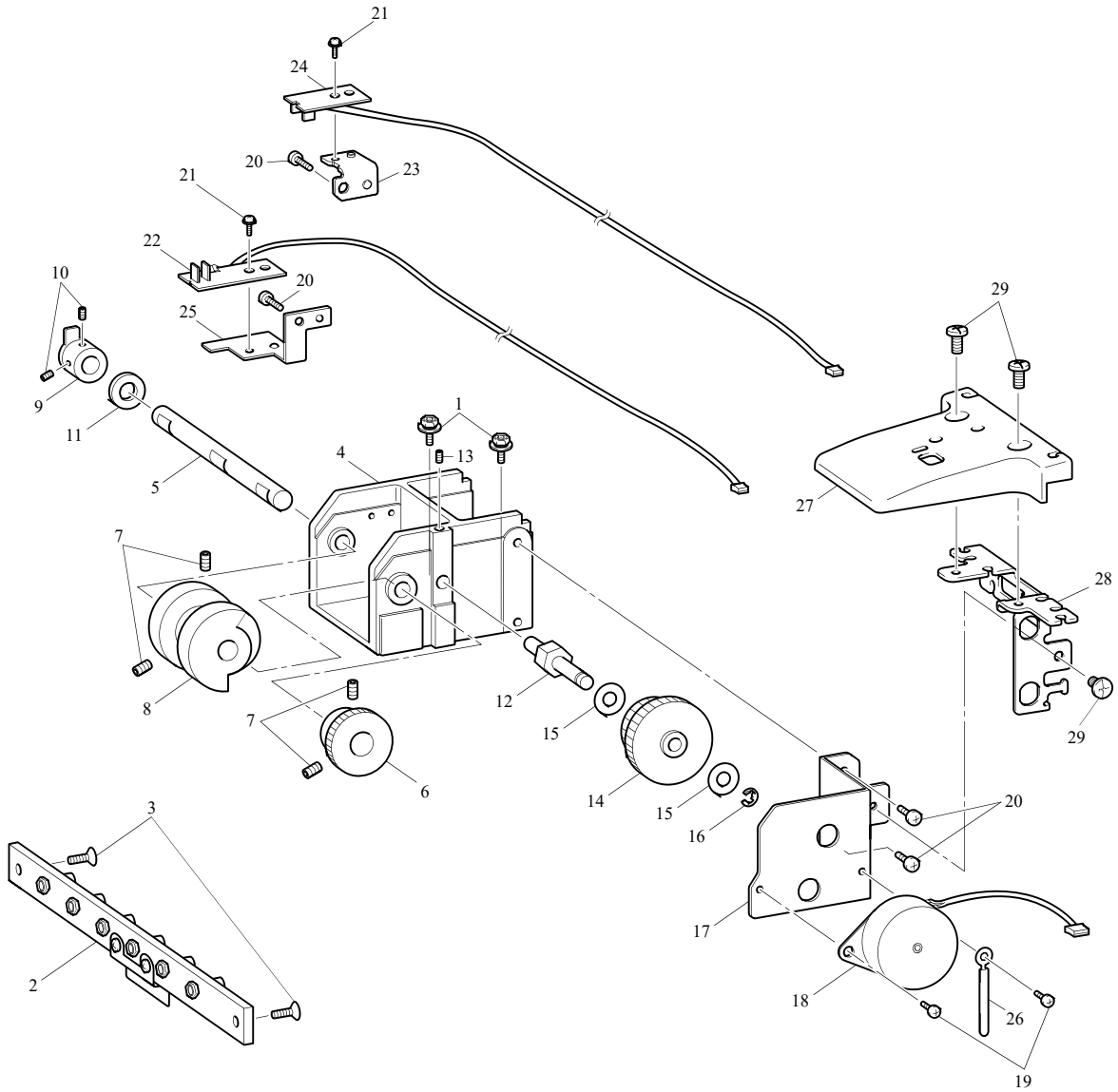
(3)-2_NEEDLE BAR MECHANISM



(3)-2_NEEDLE BAR MECHANISM

No.	CODE	NAME	MODEL	SPEC	REMARKS	R/H
31	XC9969151	STUD BOLT, M4				
55	XG2613001	LED LAMP COVER				
56	D01VTW001	LED PCB ASSY				
57	XG8161001	LED HOLDER_L				
58	XG8162001	LED_REAR_COVER_L				
59	XG8163001	LED HOLDER_R				
60	XG8164001	LED_REAR_COVER_R				
61	XF6195001	LEAD WIRE ASSY LED				
62	085271016	TAPTITE BIND B M2.6X10				
63	XE6268101	LED CORD GUIDE				
64	XE6269101	LED CORD CLAMP				
65	060400816	SCREW BIND M4X8				

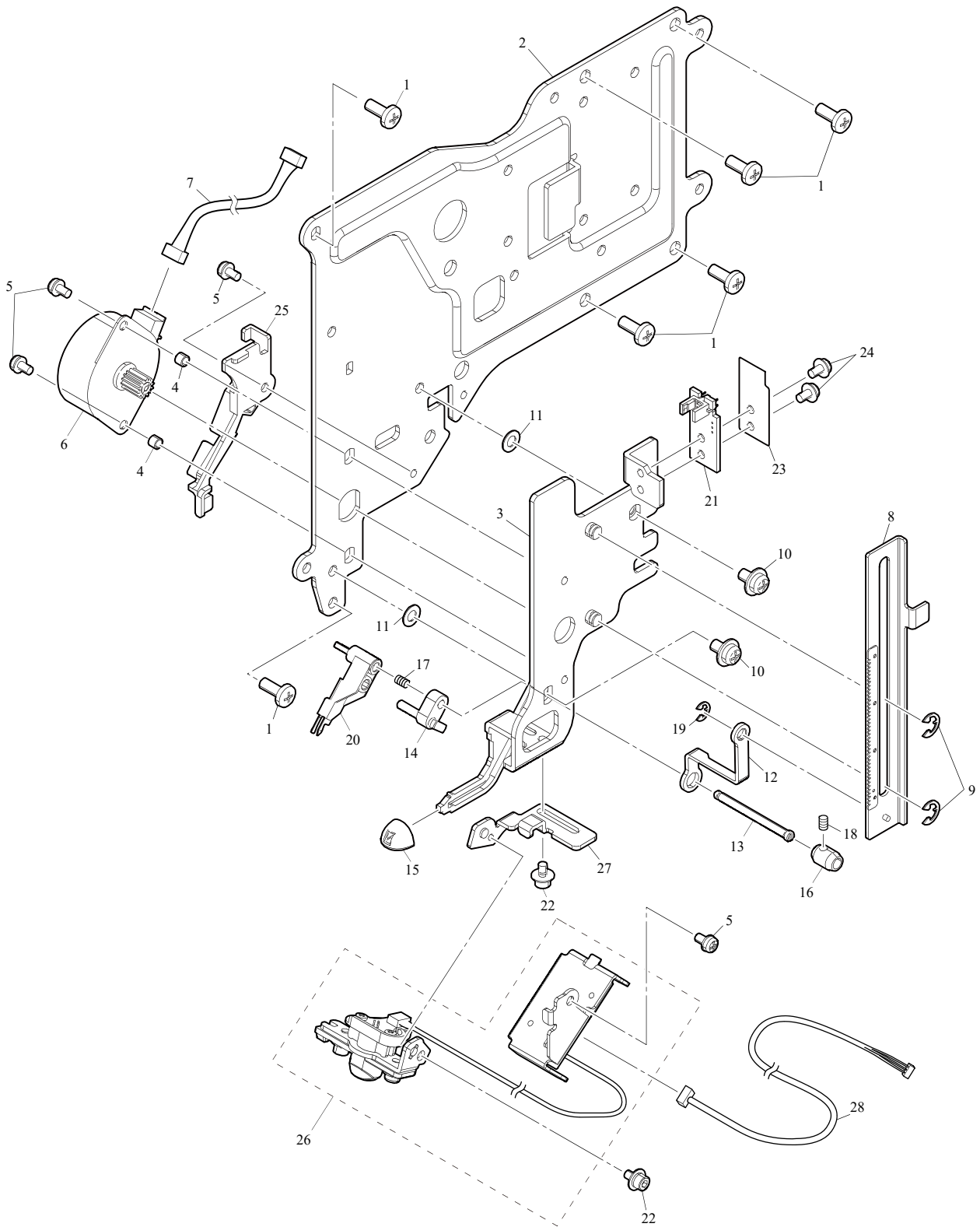
(4)_NEEDLE CHANGER UNIT



(4)_NEEDLE CHANGER UNIT

No.	CODE	NAME	MODEL	SPEC	REMARKS	R/H
1	XC7323151	BOLT (S/P WASHER) M5X16				
2	XC5717051	CHANGE ROLLER BASE ASSY				
3	004401003	SCREW, FLAT M4X10				
4	XC5705051	CHANGE BOX ASSY				
5	XC5708051	CHANGE CAM SHAFT				
6	XC5709051	CHANGE GEAR				
7	014500632	SET SCREW, SOCKET (CP) M5X6				
8	XC5710051	CHANGE CAM				
9	XC5711051	C STOP POSITION DOG				
10	014400432	SET SCREW, SOCKET (CP) M4X4				
11	X51383050	WASHER, THRUST				
12	XC5712051	DIFFERENTIAL GEAR SHAFT				
13	012400432	SET SCREW, SOCKET (FT) M4X4				
14	XC5713051	C DIFFERENTIAL GEAR				
15	025060235	WASHER, PLAIN M 6				
16	048040343	RETAINING RING, E4				
17	XC5714151	CHANGE MOTOR BASE				
18	XG8160001	PULSE MOTOR:I PM35S-048-BKH1				
19	062300416	SCREW, PAN M3X4				
20	060400816	SCREW, BIND M4X8				
21	XC7564051	SCREW, PAN (S/P WASHER) M3X6				
22	XG4172001	INDEX SENSOR PCB ASSY				
23	XC5715151	C SENSOR BRACKET				
24	XG4171001	COLOR CHANGE SENSOR PCB ASSY				
25	XC5716051	C SENSOR BRACKET LOWER				
26	137947001	CLIP				
27	XE6300201	CHANGE BOX CENTER COVER				
28	XE6270101	LED CORD HOLDER				
29	060400816	SCREW BIND M4X8				

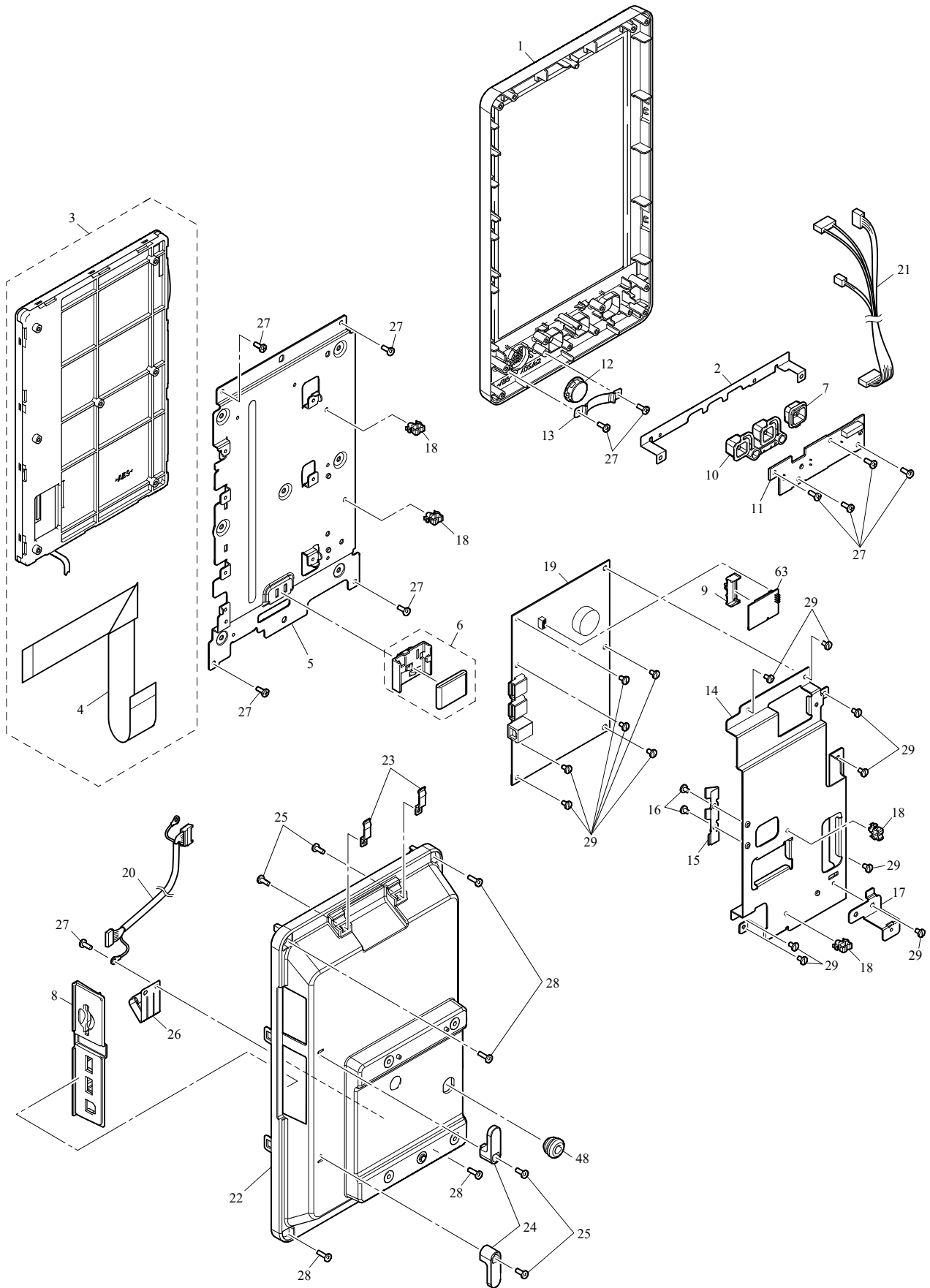
(5)_NEEDLE THREADING MECHANISM



(5)_NEEDLE THREADING MECHANISM

No.	CODE	NAME	MODEL	SPEC	REMARKS	R/H
1	X57908052	TAPTITE, BIND S M4X10				
2	D01TTP001	THREAD GUIDE BASE PR68				
3	XG3146001	BASE PLATE ASSY				
4	XC5727151	SPACER				
5	062300616	SCREW PAN M3X6				
6	XG5376101	PULSE MOTOR:M35SP-9NK A439				
7	XG5367001	LEAD WIRE ASSY THPM				
8	XC6507051	RACK ASSY				
9	048040343	RETAINING RING, E4				
10	0A5400806	SCREW, PAN (S/P WASHER) M4X8				
11	025040136	WASHER, PLAIN S 4				
12	XC5730051	HOOK HOLDER LINK				
13	XC5739151	HOOK HOLDER AXIS B				
14	XC6510051	SET COLLAR ASSY				
15	XF2672001	CAP				
16	XC6076151	BUSH				
17	XC7375051	HOOK HOLDER SPRING				H
18	014300332	SET SCREW, SOCKET (CP) M3X3				
19	048030343	RETAINING RING, E3				
20	XC5732151	HOOK HOLDER ASSY				R/H
21	XG4169001	NEEDLE TH SENSOR PCB ASSY				
22	XE7911001	BOLT SOCKET(S/P WASHER)M3X6				
23	XE7791101	INSULATION SHEET				
24	XC7564051	SCREW PAN (S/P WASHER) M3X6				
25	D01TT8101	LM LEAD WIRE GUIDE				
26	D023A8001	LASER MODULE SUPPLY ASSY				
27	D01TTB001	LM BASE PLATE				
28	D01UFG001	LEAD WIRE ASSY LM-MAIN				

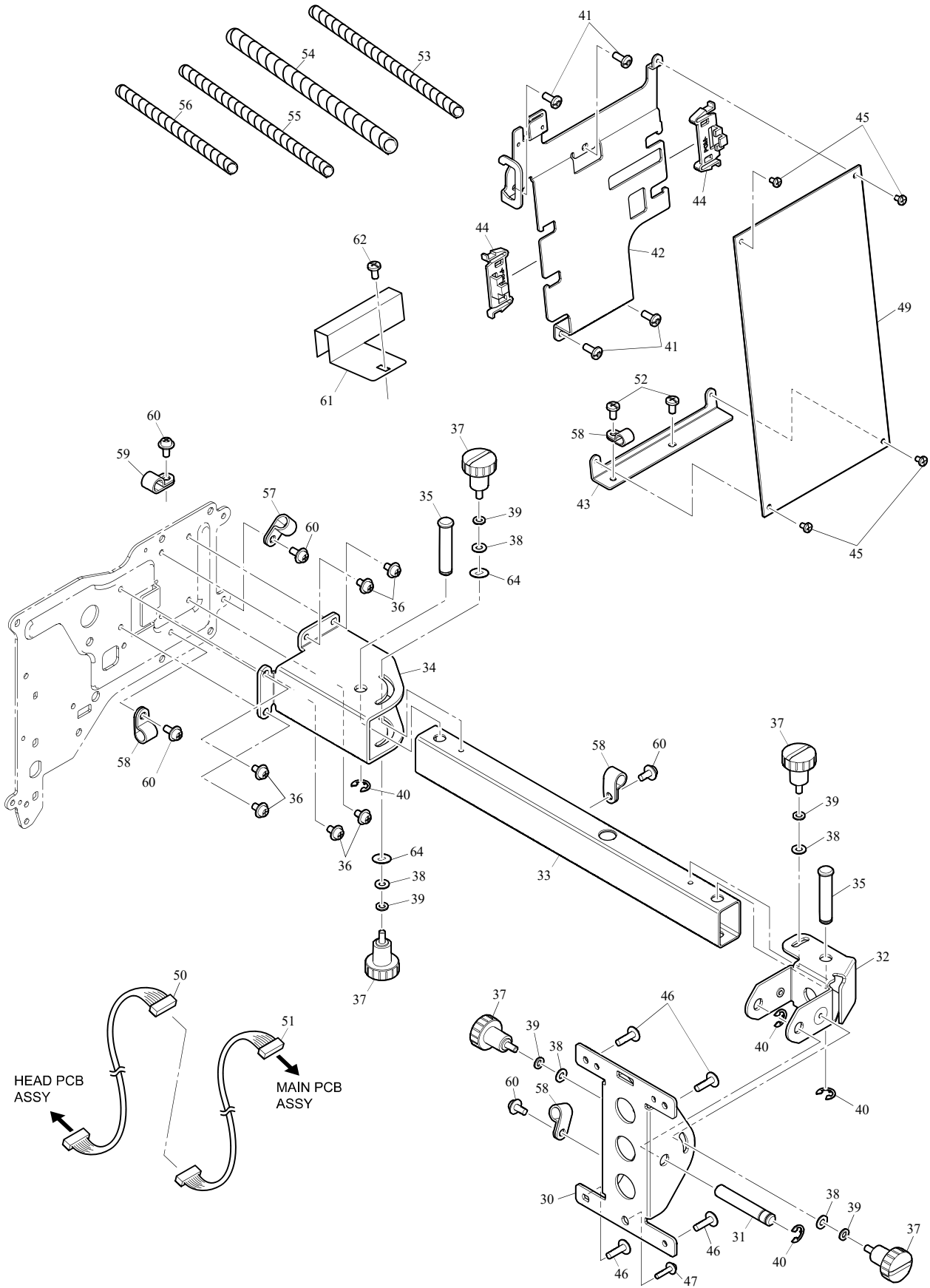
(6)-1_ELECTRIC PARTS



(6)-1_ELECTRIC PARTS

No.	CODE	NAME	MODEL	SPEC	REMARKS	R/H
1	D01VML001	PANEL FRONT COVER ASSY				R
2	XG5280001	PANEL LCD F HOLDER ASSY				
3	XG1204001	LCD SUPPLY ASSY				R
4	XG1403001	FFC SUPPLY ASSY				
5	XG5263001	PANEL LCD HOLDER				
6	XH4138001	FERRITE CORE SUPPLY ASSY				
7	XG5268001	SS BUTTON				
8	D01X8K001	USB COVER PR68				
9	XH1263001	WILAN HOLDER				
10	D01VMP001	OPERATION BUTTON				
11	XG5188001	SS PCB ASSY				
12	XG1729001	SPEAKER SUB ASSY				
13	XF9172001	SPEAKER BRACKET				
14	XG5264101	PANEL PCB HOLDER				
15	XE5267001	GROUND PLATE USB				
16	060300416	SCREW BIND M3X4				
17	XG5274001	PANEL SUB HOLDER				
18	XG5583001	CORD CRAMP:RMS-1V0				
19	D0233D001	PANEL PCB SUPPLY ASSY:B				R/H
20	XG5193101	LEAD WIRE ASSY PANEL-MAIN				
21	XG5190001	LEAD WIRE ASSY SS				
22	XG8166001	PANEL REAR COVER				R
23	XE6246003	PEN HOLDER				
24	XD0761053	USB CORD HOLDER				
25	136681051	TAPTITE, BIND B M3X8				
26	XG1741001	GROUND SPRING				
27	136681051	TAPTITE, BIND B M3X8				
28	X59629051	TAPTITE, BIND B M3X10				
29	060300516	SCREW BIND M3X5				
48	XC7233051	CORD BUSHING 5P-4				
63	LD1969001	PCB T77H505.00 ASSY 04				

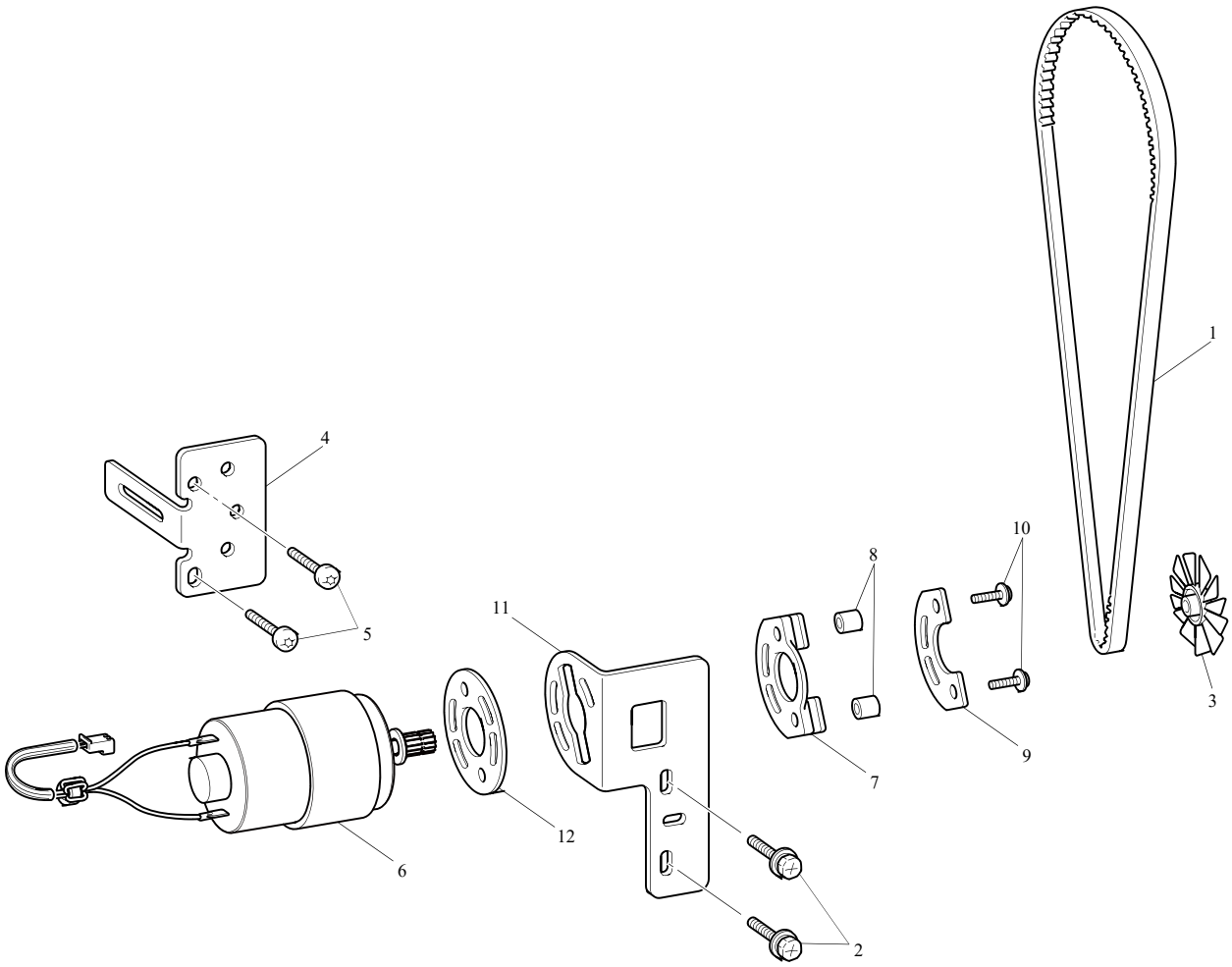
(6)-2_ELECTRIC PARTS



(6)-2_ELECTRIC PARTS

No.	CODE	NAME	MODEL	SPEC	REMARKS	R/H
30	XE6259001	PANEL HOLDER				
31	XC5747051	OPERATION PANEL HOLDER SHAFT				
32	XD0664051	OPERATION PANEL LEVER A				
33	XE7022101	OPERATION PANEL LEVER B				
34	XD0666251	OPERATION PANEL LEVER C				
35	XC5751051	OPERATION PANEL LEVER SHAFT				
36	0A5400806	SCREW, PAN (S/P WASHER) M4X8				
37	XC5553051	THUMB BOLT M4 L				
38	026040236	WASHER, PLAIN M 4				
39	028040246	WASHER, SPRING 2-4				
40	048060343	RETAINING RING, E6				
41	X57908052	TAPTITE, BIND S M4X10				
42	XG6785201	BOARD HOLDER U ASSY			2000018448	
43	XE8103001	BOARD HOLDER D				
44	XE8104001	PCB SUPPORTER				
45	XC7564051	SCREW, PAN (S/P WASHER) M3X6				
46	087411416	TAPTITE, CUP B M4X14				
47	0A5301206	SCREW PAN (S/P WASHER) M3X12				
49	D0233F001	MAIN PCB SUPPLY ASSY				R/H
50	XG7324001	LEAD WIRE ASSY HEAD-MAIN 1				
51	XG5214001	LEAD WIRE ASSY HEAD-MAIN 2				
52	060400816	SCREW BIND M4X8				
53	XC5069051	SPIRAL TUBE A				
54	XC5073051	SPIRAL TUBE B				
55	XC5078051	SPIRAL TUBE C				
56	XC6407051	SPIRAL TUBE D				
57	XZ0201051	CORD CLAMP: WL-5/8		for 53		
58	XC5243052	CORD CLAMP: NK-5N		for 54,55,56		
59	XG7843001	CORD CLAMP:GCL-3/16S				
60	XH4900101	SCREW, PAN (S/P WASHER) M4X10				
61	XC5157051	PROTECT SHEET				
62	060400516	SCREW, BIND M4X5				
64	D01W1B001	THUMB BOLT SHEET				

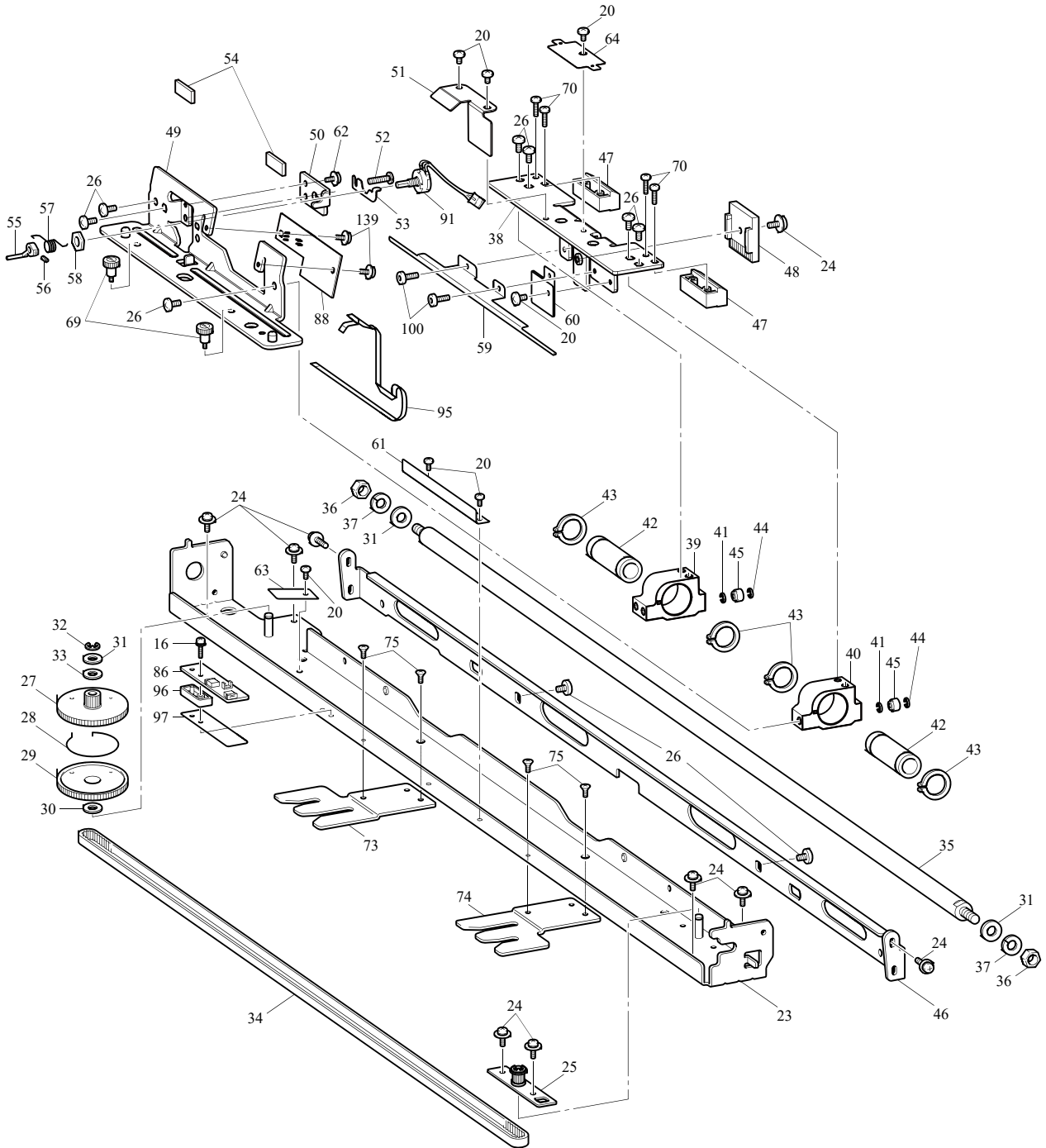
(7)_MAIN MOTOR UNIT



(7)_MAIN MOTOR UNIT

No.	CODE	NAME	MODEL	SPEC	REMARKS	R/H
1	XA9644050	T BELT				H
2	XA8474051	UPSET 4X12 DB				
3	XA9652150	MOTOR FAN				
4	XC5764051	MOTOR HOLDER BASE				
5	X57908052	TAPTITE, BIND S M4X10				
6	D01XSX001	MAIN MOTOR ASSY				R/H
7	XA9649050	FENDER RUBBER				
8	XC0443051	SPACER 4X7				
9	XA9650051	MOTOR SPACER PRESSER				
10	052401605	SCREW, PAN (S/P WASHER) M4X16				
11	XC5762051	MOTOR HOLDER				
12	XC5763051	MOTOR HOLDER SPACER				

(8)-1_XYCARRIAGE MECHANISM



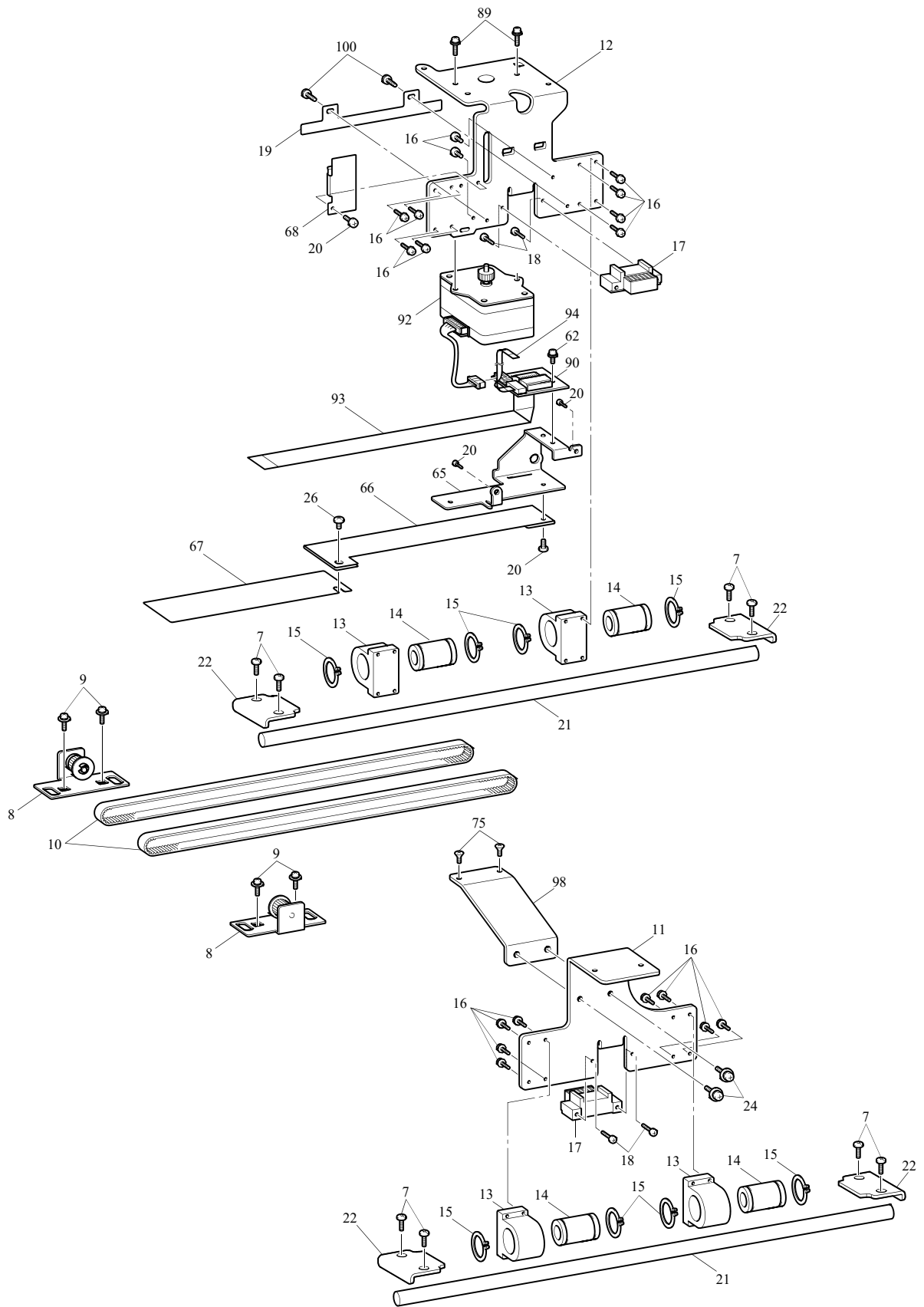
(8)-1_XYCARRIAGE MECHANISM

No.	CODE	NAME	MODEL	SPEC	REMARKS	R/H
16	0A4301006	SCREW, PAN (S/P WASHER) M3X10				
20	060300416	SCREW, BIND M3X4				
23	XC5785151	FEED FRAME ASSY			2000020243	
24	0A5400806	SCREW, PAN (S/P WASHER) M4X8				
25	XA9657051	TENSION PULLEY ASSY				
26	060400616	SCREW, BIND M4X6				
27	XC3227001	Y DRIVING GEAR PULLEY A				
28	XC3194051	SPRING FOR GEAR				
29	XC3192001	Y DRIVING GEAR PULLEY B				
30	X50546050	WASHER, THRUST				
31	XE0863051	WASHER, M6				
32	048040343	RETAINING RING, E4				
33	X53838051	WASHER				
34	XC5788051	T BELT B60S796				
35	XC5789051	X GUIDE SHAFT				
36	021060206	NUT, 2 M6				
37	028060246	WASHER, SPRING 2-6				
38	XF2146001	X CARRIAGE BX				
39	XC5792051	BEARING CASE X ASSY				
40	XF2061001	BEARING CASE XB ASSY				
41	048040343	RETAINING RING, E4				
42	XC6222001	BEARING 12 LINER				
43	048210142	RETAINING RING, EXTERNAL C21				
44	048040343	RETAINING RING, E4				
45	XC5796051	X ROLLER				
46	XC6221051	X FEED FRAME B				
47	XC6218051	Y FRAME SPACER				
48	XC5798051	X BELT PRESSER				
49	XF2147001	X CARRIAGE AX SUB ASSY				
50	XF2148001	X CARRIAGE CX				
51	XF2163001	X CARRIAGE DX				
52	060301216	SCREW BIND M3X12				
53	XE7362001	PT METER PLATE B				
54	XE8211001	X CARRIAGE SLIDING SHEET				
55	XC5801051	HOOP LEVER				
56	012300632	SET SCREW, SOCKET (FT) M3X6				
57	XC5802051	SPRING				
58	X52569001	NUT				
59	XC5803051	X SENSOR DOG				
60	XC5804051	X CABLE FIXING SHEET A				
61	XC5805051	X CABLE FIXING SHEET B				
62	XC7564051	SCREW, PAN (S/P WASHER) M3X6				
63	XC5806051	X CABLE FIXING SHEET C				
64	XF2149001	X CABLE FIXING SHEET E				

(8)-1_XYCARRIAGE MECHANISM

No.	CODE	NAME	MODEL	SPEC	REMARKS	R/H
69	XC5817051	SCREW, KNOB M4S				
70	X59629051	TAPTITE, BIND B M3X10				
73	XE2319001	CYLINDER CONNECTION L				
74	XE2320001	CYLINDER CONNECTION R				
75	061300616	SCREW, FLAT M3X6				
86	XF6056001	X AREA PCB ASSY				
88	XF6057101	HOOP PCB ASSY			2000017910	
91	XC6177051	ASSY: HOOP SENSOR				
95	XF6094001	FLEXIBLE FLAT CABLE:SML2CD-XH				
96	XC6219151	X FRAME SPACER				
97	XE2281001	INSULATION SHEET				
100	018300532	BOLT, SOCKET M3X5				
139	XC7644051	SCREW, PAN (S/P WASHER) M3X5				

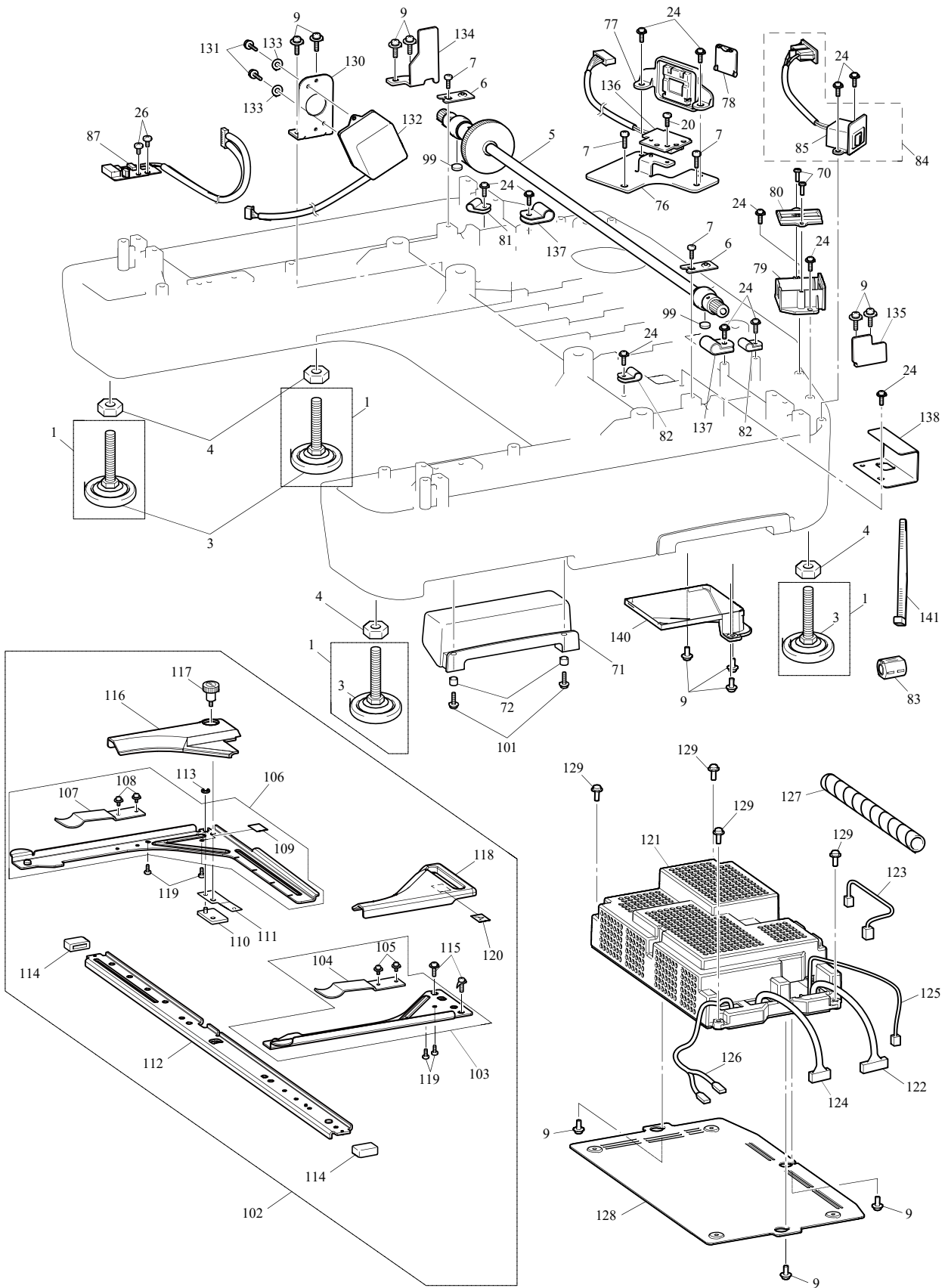
(8)-2_XYCARRIAGE MECHANISM



(8)-2_XYCARRIAGE MECHANISM

No.	CODE	NAME	MODEL	SPEC	REMARKS	R/H
7	X57908052	TAPTITE, BIND S M4X10				
8	XC5771051	Y TENSION PLATE SET				
9	XH4900101	SCREW PAN(S/P WASHER)M4X10				
10	XC5775051	T BELT B60S3M579				
11	XC5776051	Y CARRIAGE R				
12	XC5777151	Y CARRIAGE L				
13	XC5779051	BEARING CASE Y				
14	XC5780001	BEARING 10, LINER				
15	048190142	RETAINING RING, EXTERNAL C19				
16	0A4301006	SCREW, PAN (S/P WASHER) M3X10				
17	XC5781251	Y BELT PRESSER				
18	085311416	TAPTITE, BIND P M3X14				
19	XC5782051	Y SENSOR DOG				
20	060300416	SCREW, BIND M3X4				
21	XC5783051	Y GUIDE SHAFT				
22	XC5784251	FIXED Y SHAFT PLATE				
24	0A5400806	SCREW, PAN (S/P WASHER) M4X8				
26	060400616	SCREW, BIND M4X6				
62	XC7564051	SCREW, PAN (S/P WASHER) M3X6				
65	XC5807051	PCB SET PLATE				
66	XC5808051	Y CABLE PROTECTION SHEET A				
67	XC6121051	Y CABLE PROTECTION SHEET B				
68	XC5809151	CODE GRIP				
75	061300616	SCREW, FLAT M3X6				
89	0A4300806	SCREW PAN (S/P WASHER) M3X8				
90	XE7948001	CONNECT PCB ASSY				
92	XG8159101	PULSE MOTOR:X 17PU-H049BG02CN			2000020344	H
93	XE7940001	FLEXIBLE FLAT CABLE:SML2CD-YC				
94	XF6093001	FLEXIBLE FLAT CABLE:SML2CD-CX				
98	XC6500051	Y CARRIAGE RB				
100	018300532	BOLT, SOCKET M3X5				

(8)-3_XYCARRIAGE MECHANISM



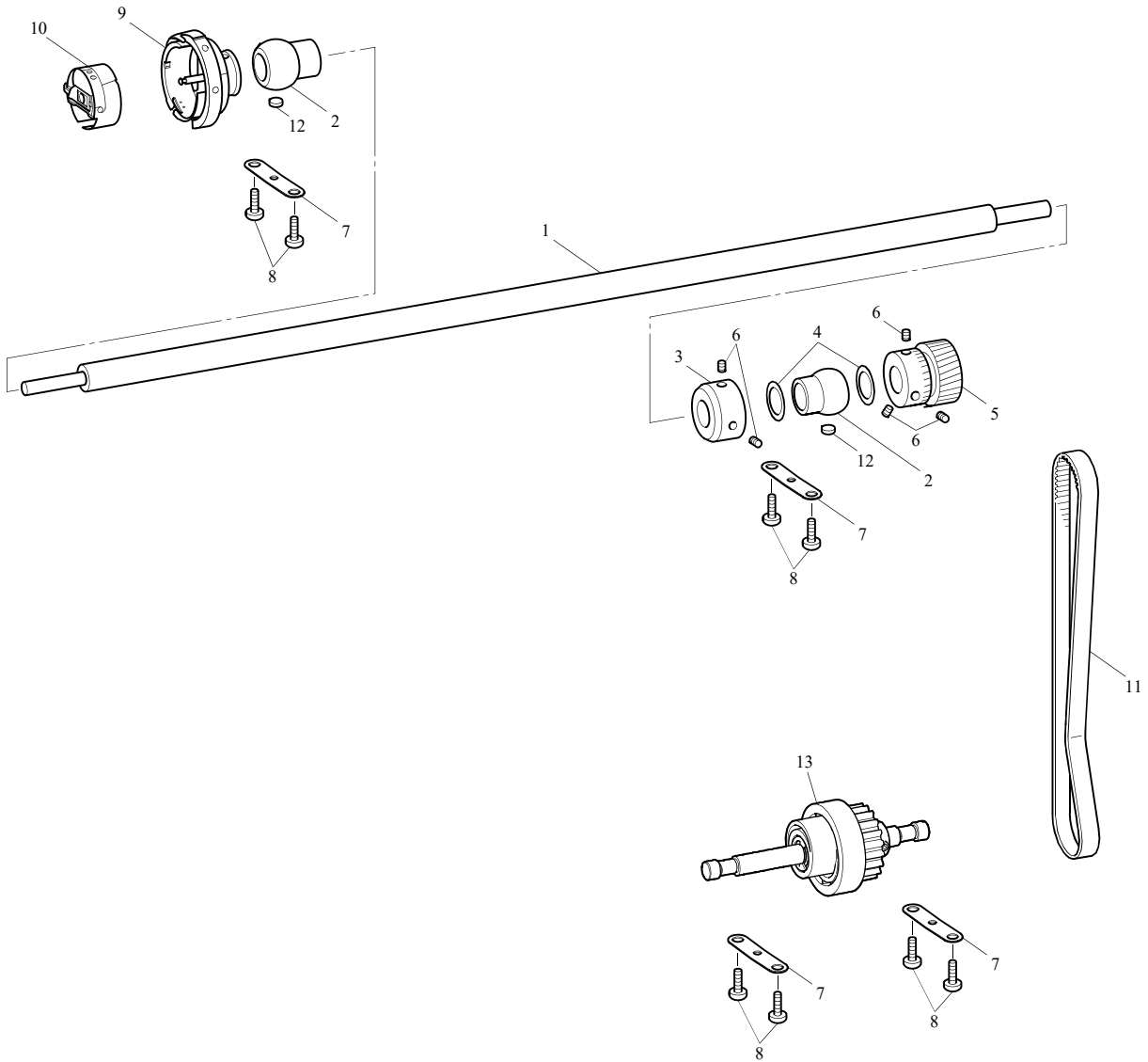
(8)-3_XYCARRIAGE MECHANISM

No.	CODE	NAME	MODEL	SPEC	REMARKS	R/H
1	XD0747051	ADJUST BOLT M8				
3	XD0752051	RUBBER CUSHION				H
4	021080206	NUT, 2 M8				
5	XC5767151	Y DRIVING SHAFT ASSY				
6	X52478051	BUSHING PRESSER				
7	X57908052	TAPTITE, BIND S M4X10				
9	XH4900101	SCREW, PAN (S/P WASHER) M4X10				
20	060300416	SCREW, BIND M3X4				
24	0A5400806	SCREW, PAN (S/P WASHER) M4X8				
26	060400616	SCREW, BIND M4X6				
70	X59629051	TAPTITE, BIND B M3X10				
71	XC5834052	HANDLE				
72	XC5835051	BUSH 4X4				
76	XE8122001	EX CONNECTOR HOLDER				
77	XE8123001	EX CONNECTOR HOLDER COVER				
78	XE8124001	EX CONNECTOR HOLDER COVER LID				
79	XG4057001	INLET COVER				
80	XG4058001	INLET COVER LID				
81	XA8837051	CORD CLAMP				
82	XA7678051	CORD CRAMP				
83	XE7045001	FERRITE CORE: LF0930A				
84	XE8187101	POWER SWITCH ASSY 120		USA		
84	XE8188101	POWER SWITCH ASSY 200		OTHER		
85	XG4059001	SWITCH HOLDER				
87	XE7947001	Y AREA PCB ASSY				
99	XC3183051	FELT				
101	XC7077051	SCREW 3X10				
102	XF2222001	TUBULAR ROUND ARMA SUPPLY ASSY				
103	XE7399101	TUBLAR ROUND ARM RA SET				
104	XC7076151	SPRING, PLATE				
105	XC7644051	SCREW, PAM (S/P WASHER) M3X5				
106	XF2064001	TUBULAR ROUND ARM LA SET				
107	XC7076151	SPRING, PLATE				
108	XC7644051	SCREW, PAM (S/P WASHER) M3X5				
109	XE7375001	SEAL				
110	XE7140001	GUIDE PLATE ASSY				
111	XE7143101	SPRING PLATE				
112	XF2050001	HOOP STAY A				
113	048030343	RETAINING RING, E3				
114	XC5816051	RUBBER				
115	0A5400806	SCREW, PAN (S/P WASHER) M4X8				
116	XE7146001	TUBULAR ARM COVER L2				
117	XC5553051	THUMB BOLT M4 L				
118	XE7174001	TUBULAR ARM COVER R2				

(8)-3_XYCARRIAGE MECHANISM

No.	CODE	NAME	MODEL	SPEC	REMARKS	R/H
119	136681051	TAPTITE, BIND B M3X8				
120	XE7414002	SEAL A				
121	XG6925001	POWER PCB SUPPLY ASSY				R/H
122	XG5390001	LEAD WIRE ASSY PW-MAIN				
123	XG5389001	LEAD WIRE ASSY PW-MD				
124	XG5191001	LEAD WIRE ASSY MD-MAIN				
125	XG5192001	LEAD WIRE ASSY MD-MOTOR				
126	XC6209051	LEAD WIRE ASSY:POWER		USA		
126	XE8327001	LEAD WIRE ASSY:POWER 200		OTHER		
127	XE8197001	SPIRAL TUBE				
128	XE7369001	POWER UNIT STAY				
129	0A5401206	SCREW, PAN (S/P WASHER) M4X12				
130	XC5810151	Y MOTOR STAY				
131	0A4300806	SCREW PAN (S/P WASHER) M3X8				
132	XG1618001	Y MOTOR ASSY				H
133	026030136	WASHER PLAIN S 3				
134	XE7433001	BELT SUPPORT L				
135	XE7434001	BELT SUPPORT R				
136	XE8088001	EXTENSION IF PCB ASSY:PR L				
137	XE8308001	CORD CLAMP:WL-1/2				
138	XE7406001	POWER UNIT CODE GUIDE				
140	XG5309001	OIL PAN				
141	X53169050	BAND				

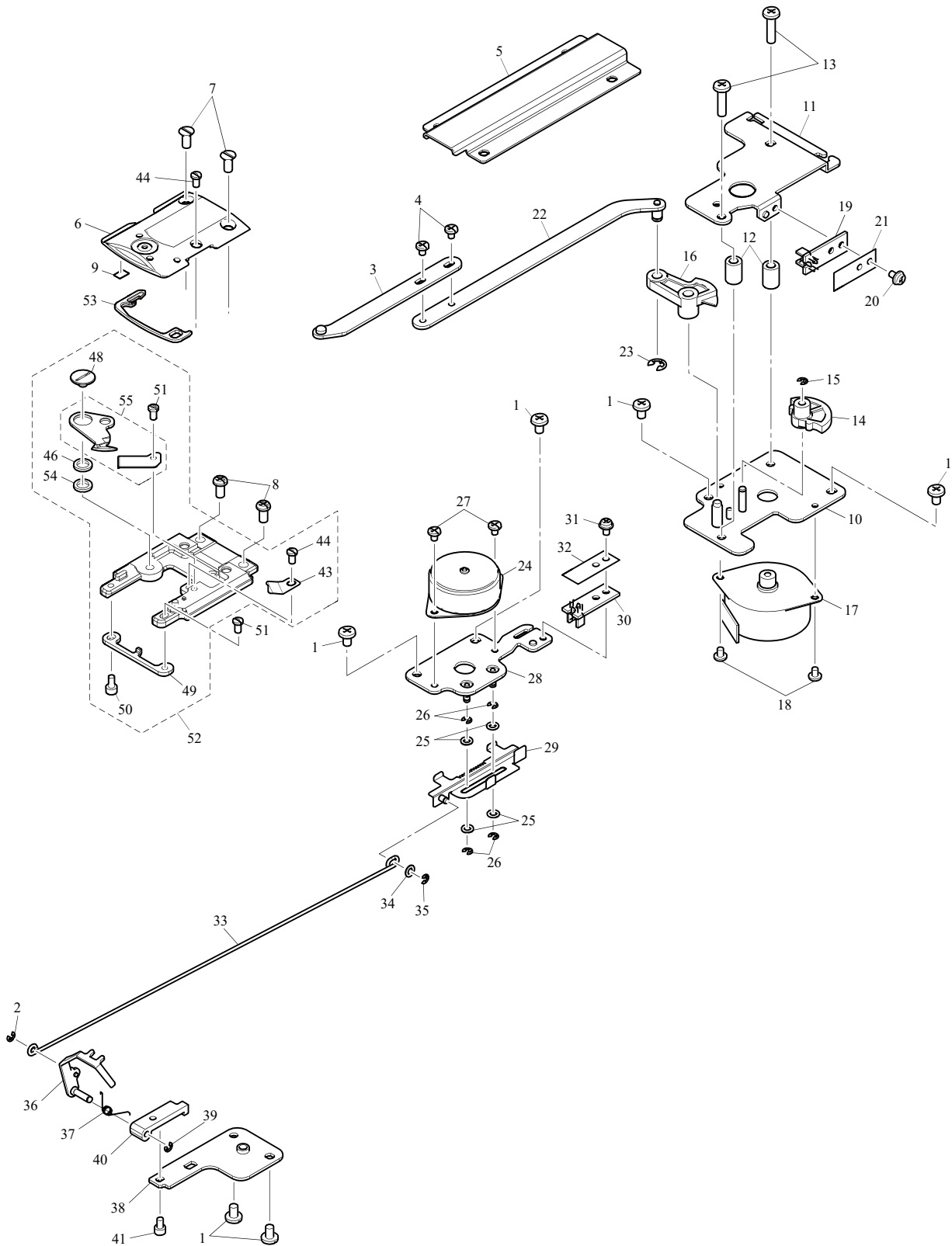
(9)_LOWER SHAFT MECHANISM



(9)_LOWER SHAFT MECHANISM

No.	CODE	NAME	MODEL	SPEC	REMARKS	R/H
1	XG5327001	LOWER SHAFT				
2	XC5845051	LOWER SHAFT METAL, R				
3	XA0840051	COLLAR				
4	XA0835050	WASHER. THURST 7.24				
5	XA0841051	LOWER SHAFT GEAR				
6	014060632	SET SCREW, SOCKET (CP) M6X6				
7	X57943051	BUSHING PRESSER				
8	X57908052	TAPTITE, BIND S M4X10				
9	XC6924001	ROTARY HOOK, DB1-ATR (1QB)				H
10	XC7206001	BOBBIN CASE ASSY				H
11	XC5846051	T BELT-S5M-525				
12	XC3183051	FELT				
13	XE7034301	IDLE PULLEY ASSY				H

(10)_THREAD CUTTING MECHANISM



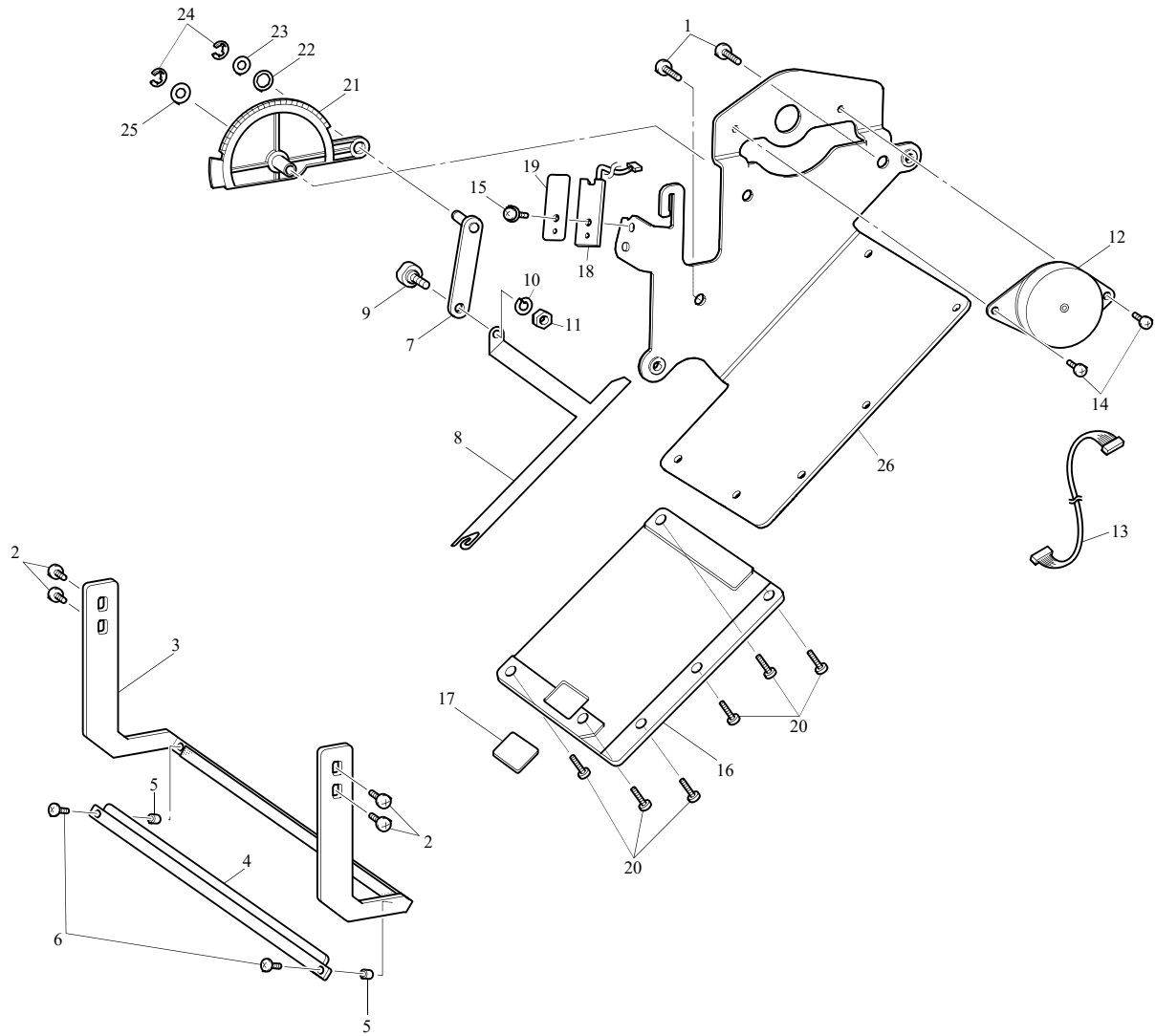
(10)_THREAD CUTTING MECHANISM

No.	CODE	NAME	MODEL	SPEC	REMARKS	R/H
1	060400616	SCREW BIND M4X6				
2	048020343	RETAINING RING E2				
3	XC5871151	CUTTER LINK ASSY				
4	060300416	SCREW BIND M3X4				
5	XC5874051	BED COVER				
6	XE1142001	NEEDLE PLATE				R
7	XC6404051	SCREW,FLAT M4				
8	062400816	SCREW PAN M4X8				
9	XC5984051	FELT				
10	XC5858151	CT MOTOR BRACKET ASSY				
11	XC5863251	CUTTER BRACKET				
12	XC5864051	COLLAR				
13	000401605	SCREW BIND M4X16				
14	XC5865151	INITIAL GEAR				
15	048020343	RETAINING RING E2				
16	XC5866151	LEVER GEAR				
17	XC6184151	ASSY: TH CUTTER MOTOR				
18	060300416	SCREW BIND M3X4				
19	XG4167001	TH CUTTER SENSOR PCB ASSY				
20	XC7564051	SCREW PAN(S/P WASHER)M3X6				
21	XE7791101	INSULATION SHEET				
22	XC5868051	LEVER LINK ASSY				
23	048040343	RETAINING RING E4				
24	XG5375001	PULSE MOTOR:M35SP-9NK A441				
25	026030136	WASHER PLAIN S 3				
26	048020343	RETAINING RING E2				
27	060300416	SCREW BIND M3X4				
28	XC5510151	PK MOTOR BRACKET ASSY				
29	XC5513151	RACK ASSY				
30	XG4170001	PICKER SENSOR PCB ASSY				
31	XC7564051	SCREW PAN(S/P WASHER)M3X6				
32	XE7791101	INSULATION SHEET				
33	XC5856051	PICKER LINK				
34	026030136	WASHER PLAIN S 3				
35	048020343	RETAINING RING E2				
36	XC5849151	PICKER ASSY				
37	XC5853051	PICKER SPRING				H
38	XC5854051	PICKER BRACKET				
39	048020343	RETAINING RING E2				
40	XC6634151	PICKER HOLDER				
41	018300532	BOLT SOCKET M3X5				
43	XC6230051	THREAD HOLDING PLATE				
44	XC5881051	SCREW				
46	XH4615001	COLLAR M-KNIFE				

(10)_THREAD CUTTING MECHANISM

No.	CODE	NAME	MODEL	SPEC	REMARKS	R/H
48	S32475001	SCREW, M4				
49	XC5879051	ROTARY HOOK STOPPER				
50	018300636	BOLT SOCKET M3X6				
51	XC5881051	SCREW				
52	XE7460301	NEEDLE PLATE BASE ASSY				
53	XF1978001	SPACER				
54	XE1845001	MOVABLE KNIFE SPACER				
55	D01M6F001	KNIFE SUPPLY ASSY				

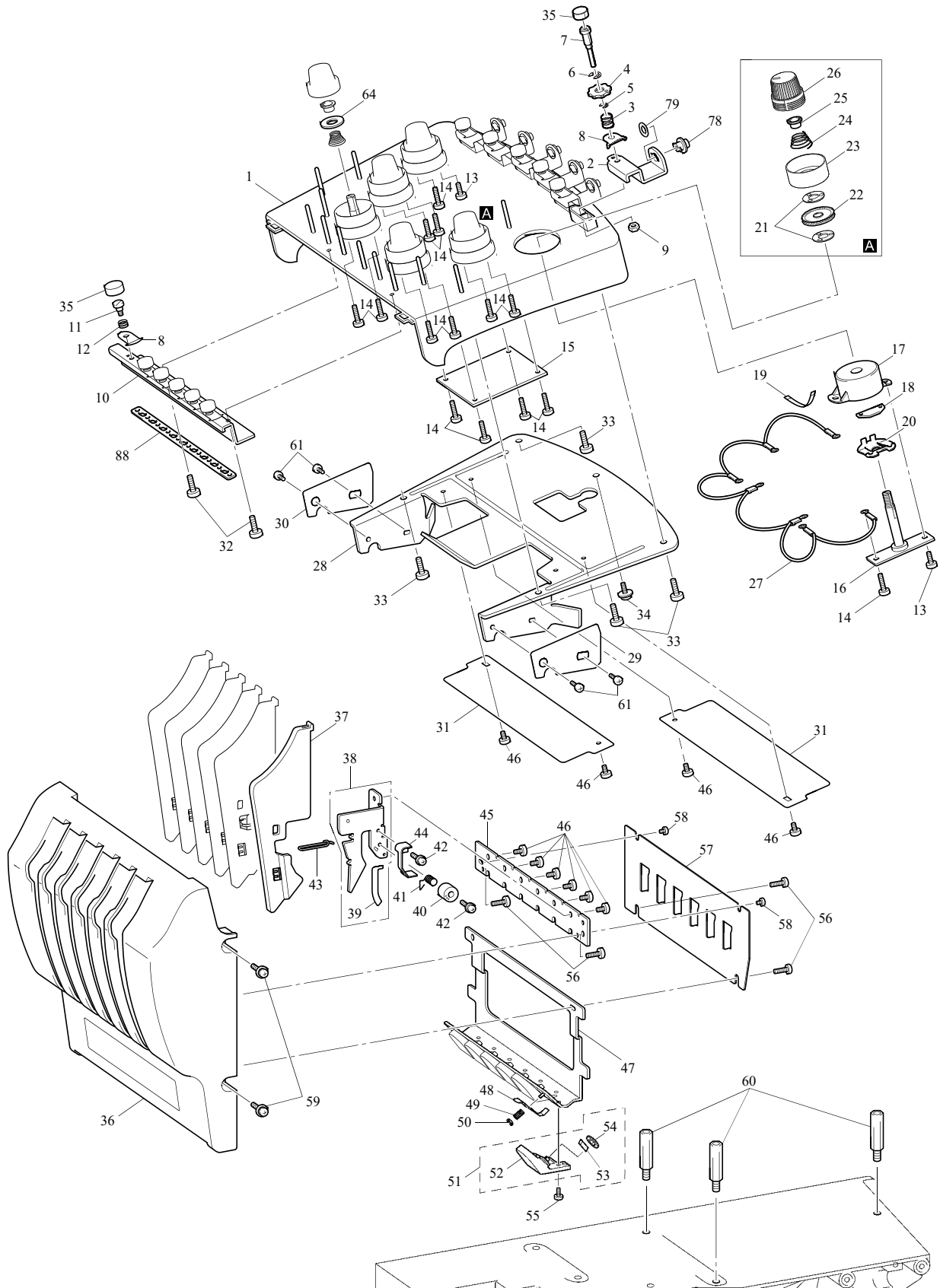
(11)_WIPER MECHANISM



(11)_WIPER MECHANISM

No.	CODE	NAME	MODEL	SPEC	REMARKS	R/H
1	X57908052	TAPTITE, BIND S M4X10				
2	060400616	SCREW, BIND M4X6				
3	XC5896351	THREAD PRESSER BASE ASSY				
4	XC5899051	THREAD PRESSER COVER ASSY				
5	XC5902051	THREAD PRESSER SPACER				
6	S46404001	SCREW, PAN M3X7				
7	XC5888051	WIPER LINK ASSY				
8	XC5891151	WIPER HOOK				H
9	XC5892151	WIPER SHOULDER SCREW				
10	028040246	WASHER, SPRING 2-4				
11	021400305	NUT, 3 M4				
12	XG5376101	PULSE MOTOR:M35SP-9NK A439				
13	XG5194001	LEAD WIRE ASSY WPM				
14	062300416	SCREW, PAN M3X4				
15	XC7564051	SCREW, PAN (S/P WASHER) M3X6				
16	D01S2T001	OILED WIPER GUIDE				
17	XC5894051	WIPER CUSHION				
18	XG4168001	WIPER SENSOR PCB ASSY				
19	XE7791101	INSULATION SHEET				
20	062300616	SCREW, PAN M3X6				
21	XC5887151	WIPER LEVER				
22	X53838051	WASHER				
23	025050236	WASHER, PLAIN M 5				
24	048040343	RETAINING RING, E4				
25	025060235	WASHER, PLAIN M 6				
26	XC5884151	WIPER BASE ASSY				

(12)-1_UPPER THREADING MECHANISM



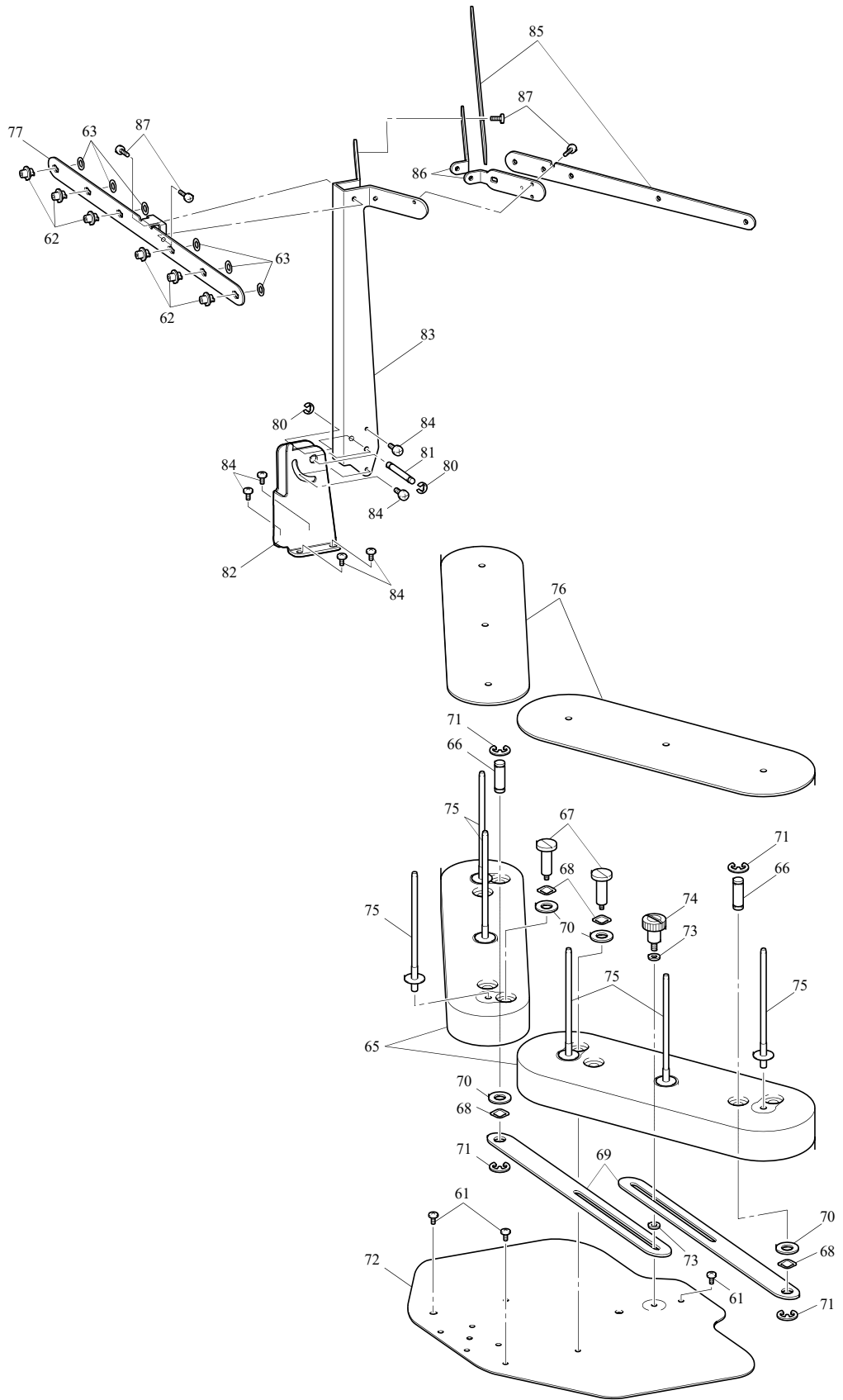
(12)-1_UPPER THREADING MECHANISM

No.	CODE	NAME	MODEL	SPEC	REMARKS	R/H
1	XC6350252	TENSION BASE				
2	XC5905051	UPPER THREAD EYELET BASE				
3	D01XKW001	THREAD GUIDE COMPRESSION				
4	XG1130001	NUT				
5	048025343	RETAINING RING E2.5				
6	048040343	RETAINING RING E4				
7	D01TV2001	THREAD GUIDE TENSION SCREW				
8	XC5907051	THREAD GUIDE TENSION PLATE				
9	XG5048001	S FRAME NUT				
10	XC5908151	INNER THREAD EYELET BASE				
11	XC5906051	THREAD GUIDE TENSION AXIS				
12	XZ0198051	BOBBIN WINDER COMPRESSION				
13	136681051	TAPTITE, BIND B M3X8				
14	X59629051	TAPTITE, BIND B M3X10				
15	XC6164151	ASSY: HEAD PCB			2000020060	
16	D01WFP001	THREAD TENSION BRACKET CAULK				
17	XC5914153	THREAD QUANTITY SENSOR COVER				
18	XC6167151	ASSY: TH SENSOR			2000020060	
19	XC6192051	FFC: SML2CD-H				
20	XE8022001	THREAD QUANTITY SENSOR PRESSER				
21	D01TV1001	TENSION DISC SPACER				H
22	XC7602000	ROTARY DISC ASSY B				
23	D01WEK001	TENSION DISC PRESSER				
24	D01WF6001	TENSION SPRING				H
25	S30564000	WASHER				
26	D01WEJ001	TENSION NUT				
27	XC6199051	LEAD WIRE ASSY: HEAD EARTH				
28	XC5917151	TENSION BASE BRACKET				
29	XC5883051	COLOR SHEET R				
30	XC5895051	COLOR SHEET L				
31	XC6202051	BRACKET COVER				
32	085410816	TAPTITE, BIND B M4X8				
33	085411416	TAPTITE, BIND B M4X14				
34	XC7564051	SCREW, PAN (S/P WASHER) M3X6				
35	XC5919053	TENSION AXIS CAP				
36	D01UMX001	TAKEUP LEVER COVER ASSY				R
37	XC6001052	THREAD GUIDE COVER				
38	XC5921151	THREAD TAKE-UP BRACKET ASSY				
39	XC5925051	SPRING TAPE				
40	XC6463051	THREAD CATCHING SPRING CASE				
41	XC5926051	THREAD TAKE-UP SPRING				R/H
42	0A4300606	SCREW, PAN (S/P WASHER) M3X6				
43	XC5929051	THREAD GUIDE WIRE				H
44	XC6234051	THREAD GUARD				

(12)-1_UPPER THREADING MECHANISM

No.	CODE	NAME	MODEL	SPEC	REMARKS	R/H
45	XC5930051	THREAD TENSION BRACKET BASE				
46	060300416	SCREW, BIND M3X4				
47	XE3394001	THREAD HOLDER BASE ASSY				
48	XC5947051	NEEDLE THREAD PRESSER PLATE				
49	XC5962051	SPRING				
50	048015343	RETAINING RING, E1.5				
51	XC5967052	CUTTER COVER ASSY				
52	XC5972052	CUTTER COVER				
53	XG2930001	CUTTER BLADE ASSY				
54	138384051	RETAINING RING, CS5				
55	0A5300606	SCREW, PAN (S/P WASHER) M3X6				
56	085311016	TAPTITE, BIND B M3X10				
57	XC5934051	THREAD GUIDE BACK COVER				
58	060260316	SCREW, BIND M2.6X3				
59	XH4900101	SCREW PAN(S/P WASHER)M4X10				
60	XC5935051	STUD				
61	060400816	SCREW, BIND M4X8				
64	XC7254051	WASHER				
78	XC5812051	PIPE BUSH A				
79	XE8376001	O RING, P5				
88	XE8971001	I THREAD EYELET BASE PLATE				

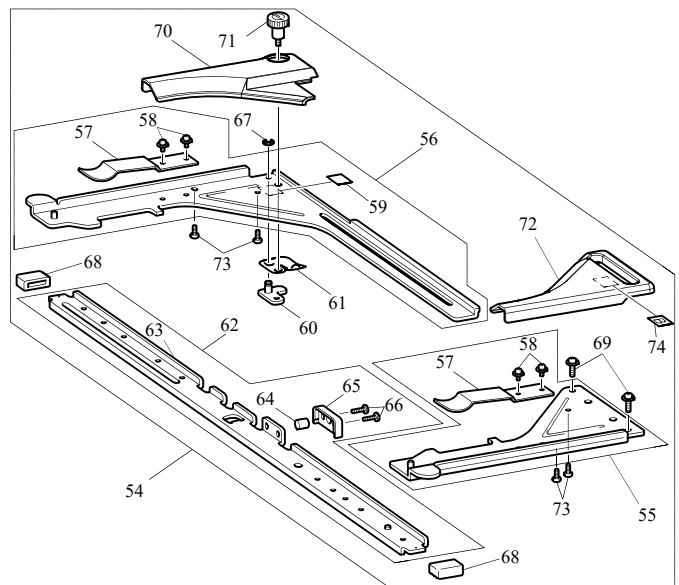
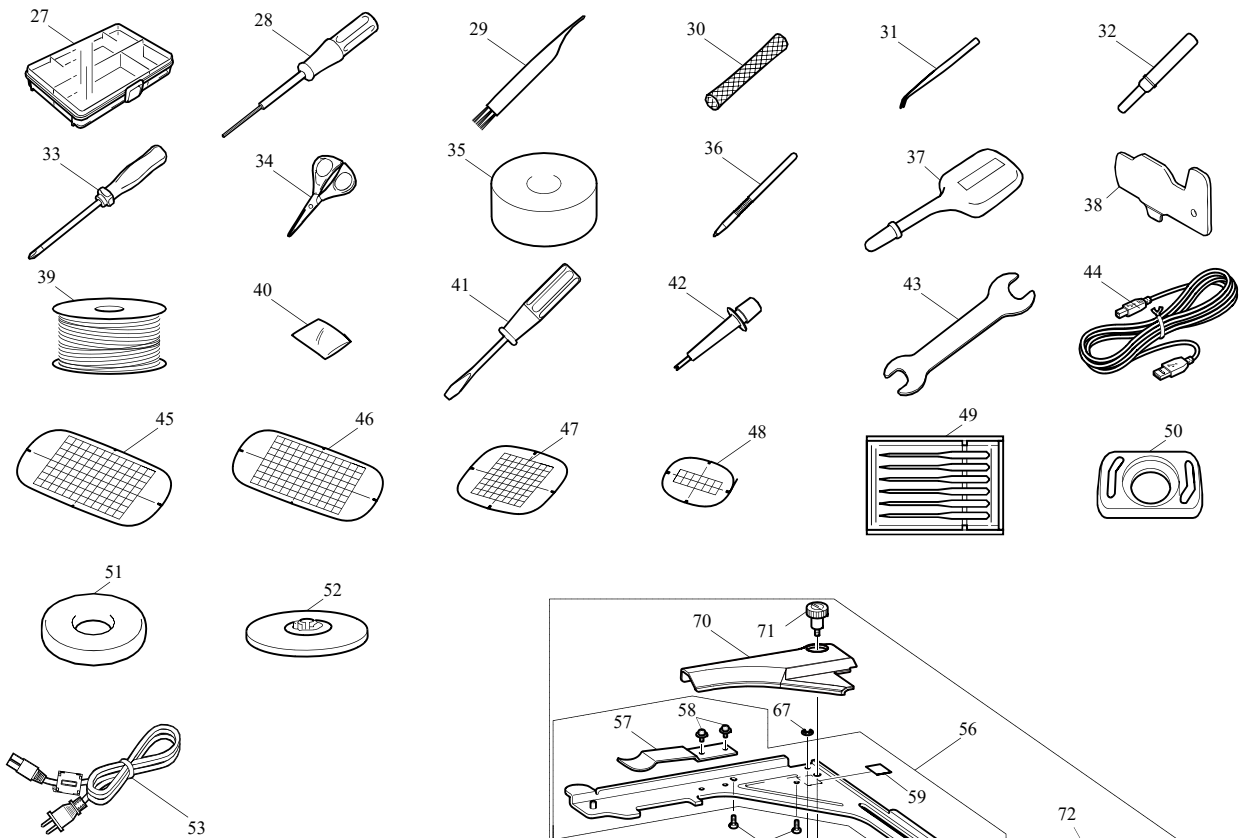
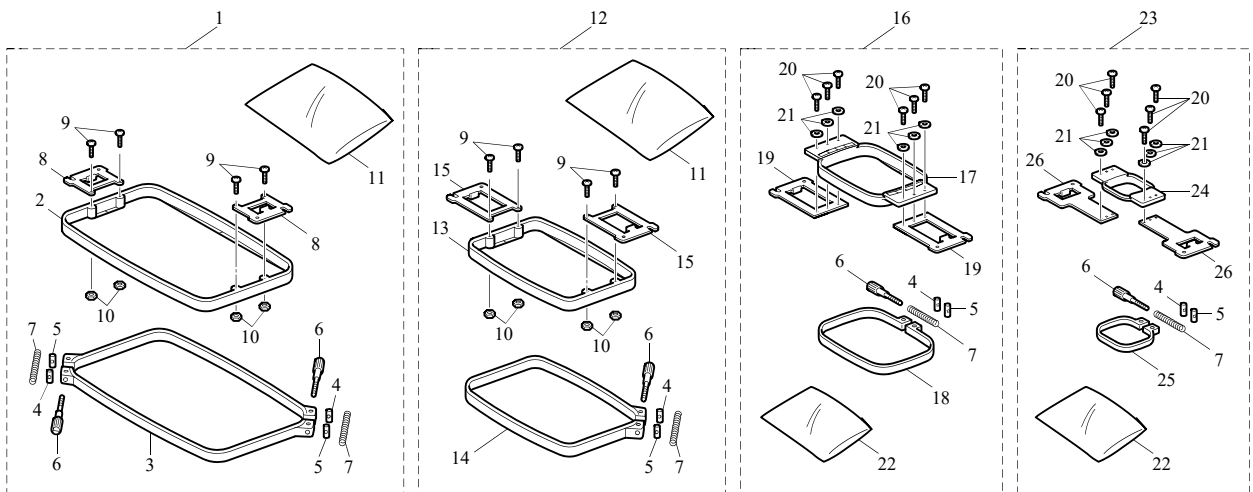
(12)-2_UPPER THREADING MECHANISM



(12)-2_UPPER THREADING MECHANISM

No.	CODE	NAME	MODEL	SPEC	REMARKS	R/H
61	060400816	SCREW, BIND M4X8				
62	XC5812051	PIPE BUSH A				
63	XE8376001	O RING, P5				H
65	XC5938052	SPOOL STAND FRAME				H
66	XC5939051	SPOOL STAND STUD				
67	XC5943051	STUD SCREW				
68	XC5945051	SPRING WASHER				
69	XC5946051	SPOOL STAND LINK				
70	XA9677051	WASHER				
71	048080343	RETAINING RING, E8				
72	XC5936051	SPOOL STAND BASE				
73	XC5948051	SPACER				
74	XC5553051	THUMB BOLT M4 L				
75	XC5949051	SPOOL PIN				
76	XC5950055	SPONGE				
77	XC5830051	ANTENNA E				
80	048050343	RETAINING RING, E5				
81	XC6238051	ANTENNA SHAFT				
82	XC6237151	ANTENNA D				
83	XC5951051	ANTENNA C ASSY				
84	060400616	SCREW, BIND M4X6				
85	XC6236051	ANTENNA B				
86	XC6235051	ANTENNA A				
87	060300616	SCREW, BIND M3X6				

(13)_ACCESSORY PARTS



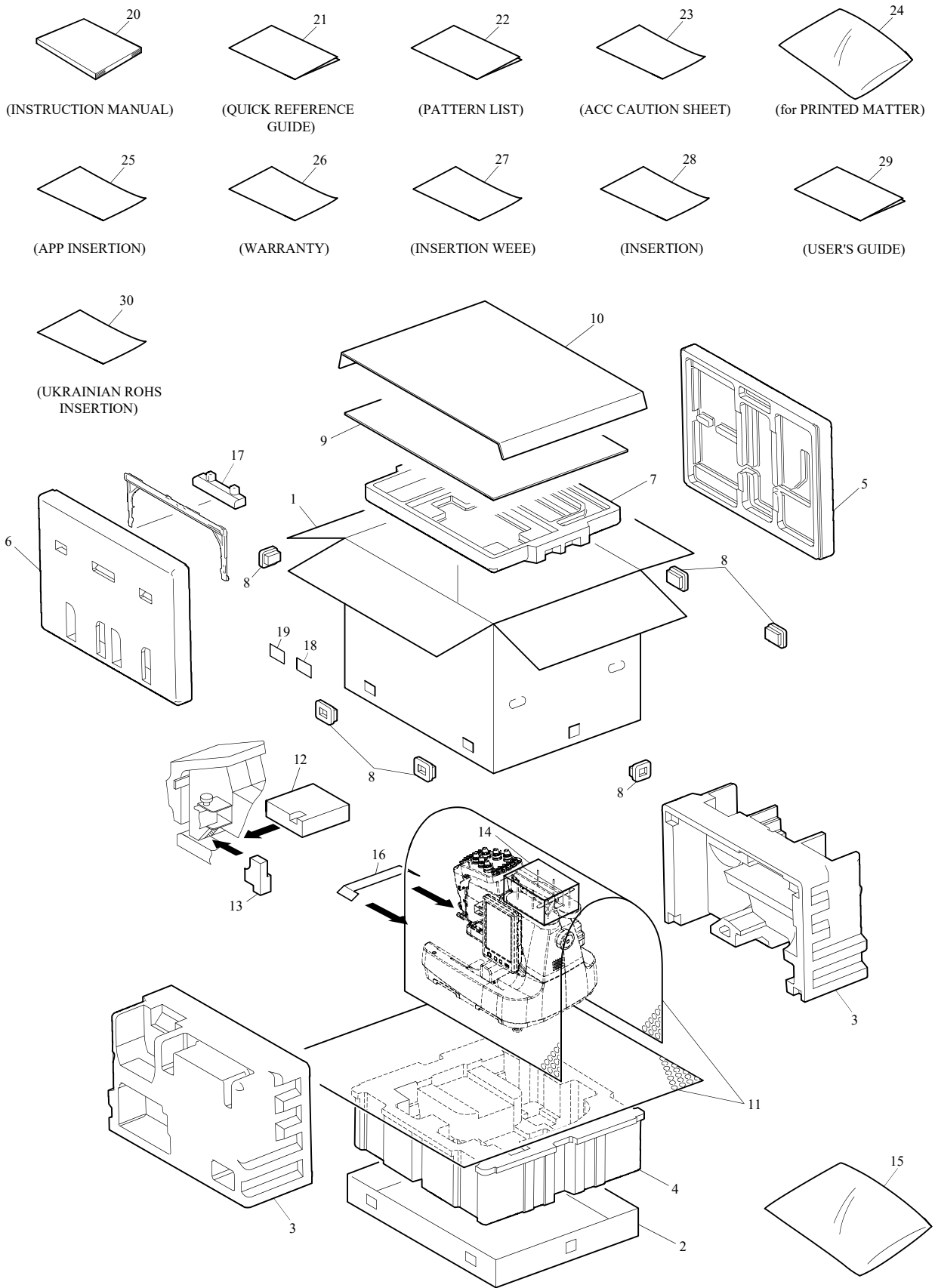
(13)_ACCESSORY PARTS

No.	CODE	NAME	MODEL	SPEC	REMARKS	R/H
1	XC5954051	TUBULAR FRAME 30X20 ASSY				
2	XC5955051	TUBULAR FRAME 30X20 INNER				
3	XC5956151	TUBULAR FRAME 30X20 OUTER				
4	XH4613001	COLLAR				
5	XH4614001	NUT, M4				
6	XC5957051	SCREW, M4				
7	S36043000	SPRING, COMPRESSION 5.3X47.7				
8	XC5958051	HOLDER 30X20				
9	062401416	SCREW, PAN M4X14				
10	021400206	NUT, 2 M4				
11	X60224051	BAG 350X700H				
12	XC5959051	TUBULAR FRAME 18X13 ASSY				
13	XC5960051	TUBULAR FRAME 18X13 INNER				
14	XC5961051	TUBULAR FRAME 18X13 OUTER				
15	XC5963051	HOLDER 18X13				
16	XC5964051	TUBULAR FRAME 10X10 ASSY				
17	XC5965051	TUBULAR FRAME 10X10 INNER				
18	XC5966051	TUBULAR FRAME 10X10 OUTER				
19	XC5968051	HOLDER 10X10				
20	060300516	SCREW, BIND M3X5				
21	025030236	WASHER, PLAIN M 3				
22	XZ0197051	BAG 180X470				
23	XC5969051	TUBULAR FRAME 06X04 ASSY				
24	XC5970051	TUBULAR FRAME 06X04 INNER				
25	XC5971051	TUBULAR FRAME 06X04 OUTER				
26	XC5973051	HOLDER 06X04				
27	XC6482051	ACCESSORY CASE				
28	XC5159051	HEXAGONAL DRIVER, 1.5				
29	X59476051	CLEANING BRUSH				
30	S34455000	NET, 160L				
31	XC6542051	PINCETTE				
32	XF4967001	RIPPER ASSY				
33	XC6543051	SCREW DRIVER 2X100				
34	XF2052001	SCISSORS				
35	XC5974151	BOBBIN TENSION GAUGE				
36	XA9940051	TOUCH PEN				
37	D01H2N001	OILER B ASSY				
38	XH4670001	NEEDLE PLATE FIXING METAL				
39	XH3619001	PREWOUND BOBBIN				
40	X60838051	BAG 70X110C				
41	X55468051	SCREW DRIVER S				
42	XF2212101	NEEDLE EXCHANGE TOOL				
43	XC6159051	WRENCH 13X10				
44	XD1851051	USB I/F CORE CABLE 3M				

(13)_ACCESSORY PARTS

No.	CODE	NAME	MODEL	SPEC	REMARKS	R/H
45	XC5704051	EMBROIDERY SHEET 30X20 ASSY				
46	XC5721051	EMBROIDERY SHEET 18X13 ASSY				
47	XC5759051	EMBROIDERY SHEET 10X10 ASSY				
48	XC5761051	EMBROIDERY SHEET 06X04 ASSY				
49	XC6469001	NEEDLE ASSEMBLY				
50	XC6499151	NEEDLE PLATE COVER				
51	XC7134051	SPOOL FELT				
52	130012057	SPOOL PRESSER A				
53	XE7256001	POWER SUPPLY CORD: CSA-CORE		USA		
53	XE7258001	POWER SUPPLY CORD:BS-CORE		UK&IRE, MYS, SGP		
53	XE7257001	POWER SUPPLY CORD:CEE-CORE		DEU&FRA&ESP&IT A&CHE&EEU&NEU , CHL, RUS, SGP, UAE, PRY		
53	XE7260001	POWER SUPPLY CORD:SAA-LF CORE		AUS&NZL		
53	XE7261001	POWER SUPPLY CORD:IRAM-CORE		ARG		
53	XG5349001	POWER SUPPLY CORD:BRZ-CORE		BRA		
53	XE7262001	POWER SUPPLY CORD:CHN-CORE		CHN		
53	XE7264001	POWER SUPPLY CORD:TWN-CORE		TWN		
53	XF0757001	POWER SUPPLY CORD:KOR-CORE		KOR		
53	D01WCD001	POWER SUPPLY CORD:IND-CORE		IND		
54	XF2223001	TUBULAR ROUND ARMB SUPPLY ASSY				
55	XE7364001	TUBLAR ROUND ARM RB SET				
56	XF2054001	TUBLAR ROUND ARM LB SET				
57	XC7076151	SPRING PLATE				
58	XC7644051	SCREW PAM (S/P WASHER) M3X5				
59	XE7375001	SEAL				
60	XE7140001	GUIDE PLATE ASSY				
61	XE7143101	SPRING PLATE				
62	XF2055001	HOOP STAY B ASSY				
63	XF2047001	HOOP STAY B				
64	XE2270001	MAGNET				
65	XE2271001	MAGNET HOLDER				
66	060300613	SCREW BIND M3X6				
67	048030343	RETAINING RING E3				
68	XC5816051	RUBBER				
69	0A5400806	SCREW PAN (S/P WASHER) M4X8				
70	XE7146002	TUBULAR ARM COVER L2				
71	XC5553051	THUMB BOLT M4 L				
72	XE7174002	TUBULAR ARM COVER R2				
73	136681051	TAPTITE, BIND B M3X8				
74	XE7415002	SEAL B				

(14)_PACKAGE / USER MANUAL



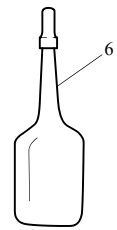
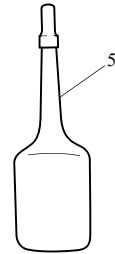
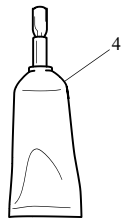
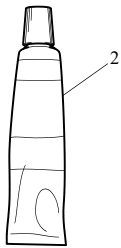
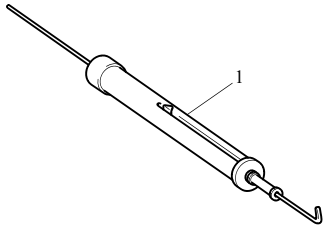
(14)_PACKAGE / USER MANUAL

No.	CODE	NAME	MODEL	SPEC	REMARKS	R/H
		PACKING MATERIALS				
1	D01U8A001	CARTON TOP:MODELPR68	PR680W	PRY		R
1	D01X91201	CARTON TOP:MODELPR68 US	PR680W	USA	2000020605	R
1	D02339001	CARTON TOP:MODELPR68 UK	PR680W	UK&IRE		R
1	D01X92001	CARTON TOP:MODELPR68 EU	PR680W	DEU&FRA&ESP&ITA&CHE&EEU&NEU		R
1	D02414001	CARTON TOP:MODELPR68 AP	PR680W	AUS&NZL		R
1	D0234D001	CARTON TOP:MODELPR68 AR	PR680W	ARG		R
1	D01X93001	CARTON TOP:MODELPR68 BR	PR680W	BRA		R
1	D027KY001	CARTON TOP:MODELPR68 TW	PR680W	TWN		R
1	D0233C001	CARTON TOP:MODELPR68 RU	PR680W	RUS		R
1	D027G0001	CARTON TOP:MODELPR68 CN	PR680W	CHN		R
1	D027L5001	CARTON ASSY:PR68 MYS	PR680W	MYS		R
1	D027KU001	CARTON TOP:MODELPR68 KOR	PR680W	KOR		R
1	D0234W001	CARTON TOP:MODELPR68C CL	PR680WC	CHL		R
1	D01Y45001	CARTON TOP:MODELPR68C BR	PR680WC	BRA		R
1	D027L8001	CARTON ASSY:PR68 GULF	PR680WC	UAE		R
1	D02D6T001	CARTON TOP:MODELPR68 ASEAN	PR680W	SGP	2000019250	R
1	D02E2T001	CARTON TOP:MODELPR68 IND	PR680W	IND		R
2	XE7492001	CARTON BOTTOM				R
3	XE7040101	POLYSTYRENE FOAM SUPPLY ASSY				R
4	XC5797350	POLYSTYRENE FOAM PAD BOTTOM				R
5	XC5825350	POLYSTYRENE FOAM PAD SIDE				R
6	XG8168001	POLYSTYRENE FOAM PAD SIDE R				
7	XC6452150	POLYSTYRENE FOAM PAD TOP				R
8	XC5848051	JOINT				
9	XC5867050	PAD D				R
10	XC5932050	CARTON PAD D				R
11	XC6459051	SHEET, 1400X2000				
12	XC6585350	POLYSTYRENE FOAM PAD FOOT				R
13	XC7140150	HOOK SUPPORT SF				R
14	XC7154050	ANTENNA PROTECT PAD				R
15	X60224051	BAG, 350X700H				
16	XE7435001	X CARRIAGE PAD				R
17	XG5219001	POLYSTYRENE FOAM PAD SIDE B				R
18	D024CV001	CHILE PERU ADDRESS LABEL		CHL	2000017597	
19	XH3834201	BRAZIL ADDRESS LABEL TW		BRA	2000017910	
		PRINTED MATTER				
20	D01U84001	INSTRUCTON BOOK ENG		English		R
20	D01U85001	INSTRUCTON BOOK SPA		Spanish		R
20	D01U9R001	INSTRUCTON BOOK GER		German		R
20	D01U9P001	INSTRUCTON BOOK FRE		French		R
20	D01U9T001	INSTRUCTON BOOK DUT		Dutch		R

(14)_PACKAGE / USER MANUAL

No.	CODE	NAME	MODEL	SPEC	REMARKS	R/H
20	D01U9S001	INSTRUCTON BOOK ITA		Italian		R
20	D01U9G001	INSTRUCTON BOOK NEU/EEU		Swedish, Danish, Czech, Polish, Hungarian, Romanian		R
20	D01U9E001	INSTRUCTION BOOK BP		Portuguese		R
20	D01U9J001	INSTRUCTION BOOK RUS		Russian		R
20	D01U9M001	INSTRUCTION BOOK SC		Chinese-simp		R
20	D01U9F001	INSTRUCTION BOOK ARB		Arabic		R
20	D01U9K001	INSTRUCTION MANUAL TC		Chinese-trad		R
20	D01U9L001	INSTRUCTION BOOK KOR		Korean		R
21	D01U88001	QUICK REFERENCE GUIDE US/EU				R
21	D01U9V001	QUICK REFERENCE GUIDE ASIA				R
22	D01U89001	PATTERN LIST US/EU		USA, DEU&FRA&ITA&C HE, UK&IRE, AUS&NZL, ARG, BRA, CHL, RUS, PRY		
22	D01U9Y001	PATTERN LIST NEU/EEU		DEU&FRA&ITA&C HE		
22	D01U9Z001	PATTERN LIST ASIA		CHN, MYS, SGP, UAE, TWN, KOR, IND		
23	XG8290001	ACC CAUTION SHEET				
24	XA0188050	BAG 260X375HC				
25	D01U86001	DATA TRANSFER APP INSERTION				
25	D02B5R101	ARTSPIRA APP INSERTION			2000020364	
26	D01G7K001	WARRANTY SUPPORT SHEET BRO		USA		
26	XF0949101	WARRANTY CARD BROTHER ARG 1104		PRY		
26	D029YB001	WARRANTY CARD BRO BR HSM		BRA	2000018778	
27	XF0300101	INSERTION WEEE				
28	XH3654001	BRAZIL FREQUENCY INSERTION		BRA		
28	XG9106001	CAP INCLUDE INSERTION	PR680WC			
28	D02G4D001	SOLUTION INSERTION			2000020060	
29	XC8943251	CAP FRAME USER'S GUIDE ENG	PR680WC			
30	XE9897101	UKRAINIAN ROHS INSERTION		RUS		

(15)_SPARE PARTS



(15)_SPARE PARTS

No.	CODE	NAME	MODEL	SPEC	REMARKS	R/H
		GAUGE				
1	XC2277001	PUSH PULL GAUGE				
		GREASE, OIL				
2	XC8385001	MOLYKOTE EM30L				
3	XC8387001	EPNOC AP (N) 0				
4	XC8386001	*1 MOLYKOTE M DISPERSION		EXCEPT USA		
5	XC8388001	FBK OIL RO 100				
6	D01H2M001	OILER ASSY KOREA		KOR		
6	D01H2N001	OILER B ASSY		OTHER		

*1 USA must purchase in the US. (It's not listed on the TSCA).