

brother®

**Home Sewing Machine
PARTS REFERENCE LIST**

MODEL: PR650/PR650C

MECHANISMS & ELECTRONICS

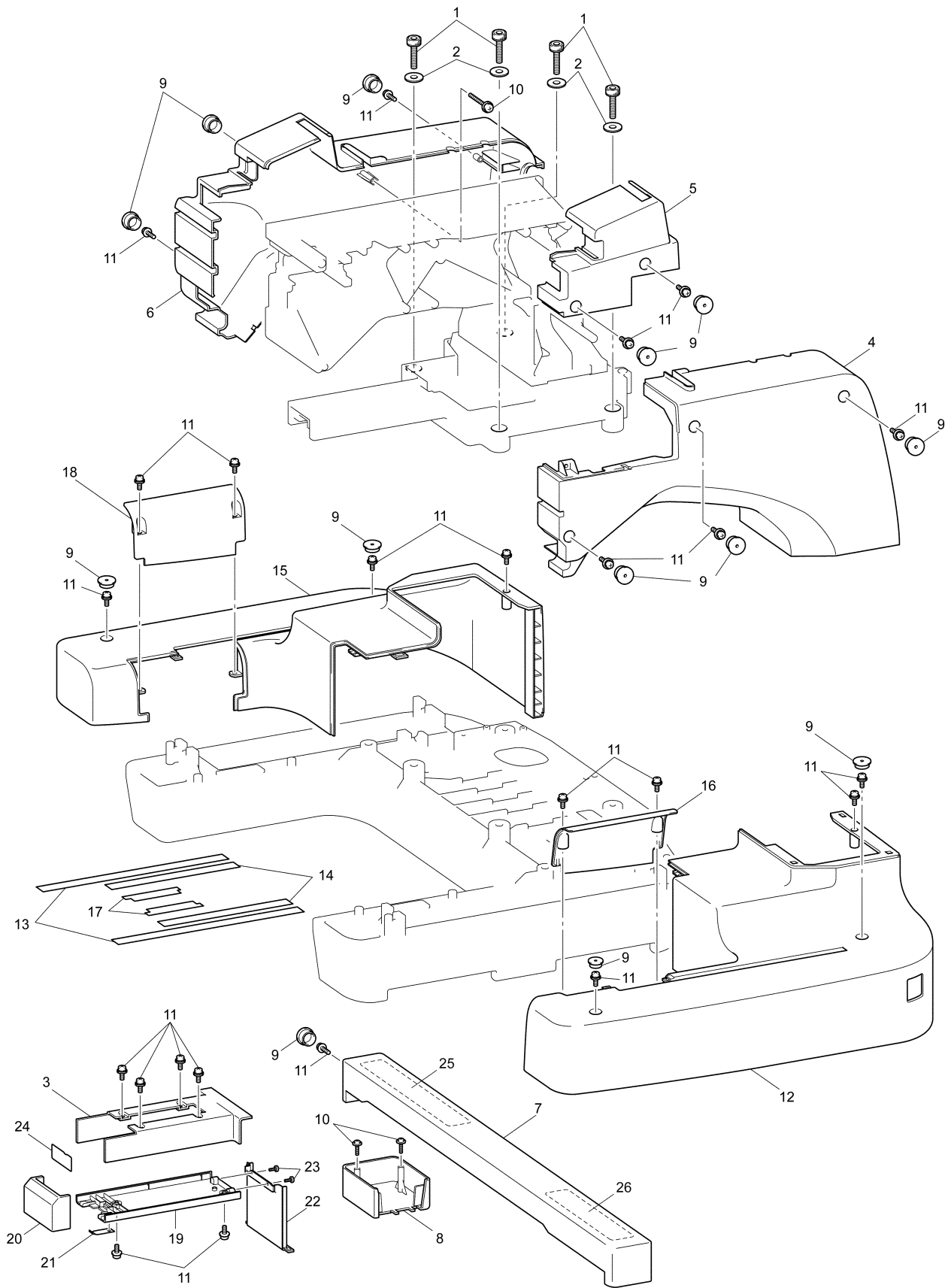
CONTENTS

(1) PRINCIPAL PARTS.....	2
(2) UPPER SHAFT MECHANISM.....	4
(3) NEEDLE BAR MECHANISM.....	6
(4) NEEDLE BAR CHANGE MECHANISM	10
(5) THREAD GUIDE MECHANISM.....	12
(6) ELECTRONIC PARTS.....	14
(7) MOTOR UNIT	18
(8) FEED MECHANISM	20
(9) LOWER SHAFT MECHANISM.....	26
(10) THREAD CUTTING MECHANISM	28
(11) THREAD WIPER MECHANISM	30
(12) UPPER THREAD GUIDE MECHANISM	32
(13) ATTACHMENTS.....	36
(14) PACKING MATERIALS / PRINTED MATTER.....	38
(15) ACCESSORY PARTS	40

Note on parts:

We keep performance parts for this sewing machine for at least 8 years after this model is discontinued. Performance parts are the necessary parts to maintain the function of the sewing machine.

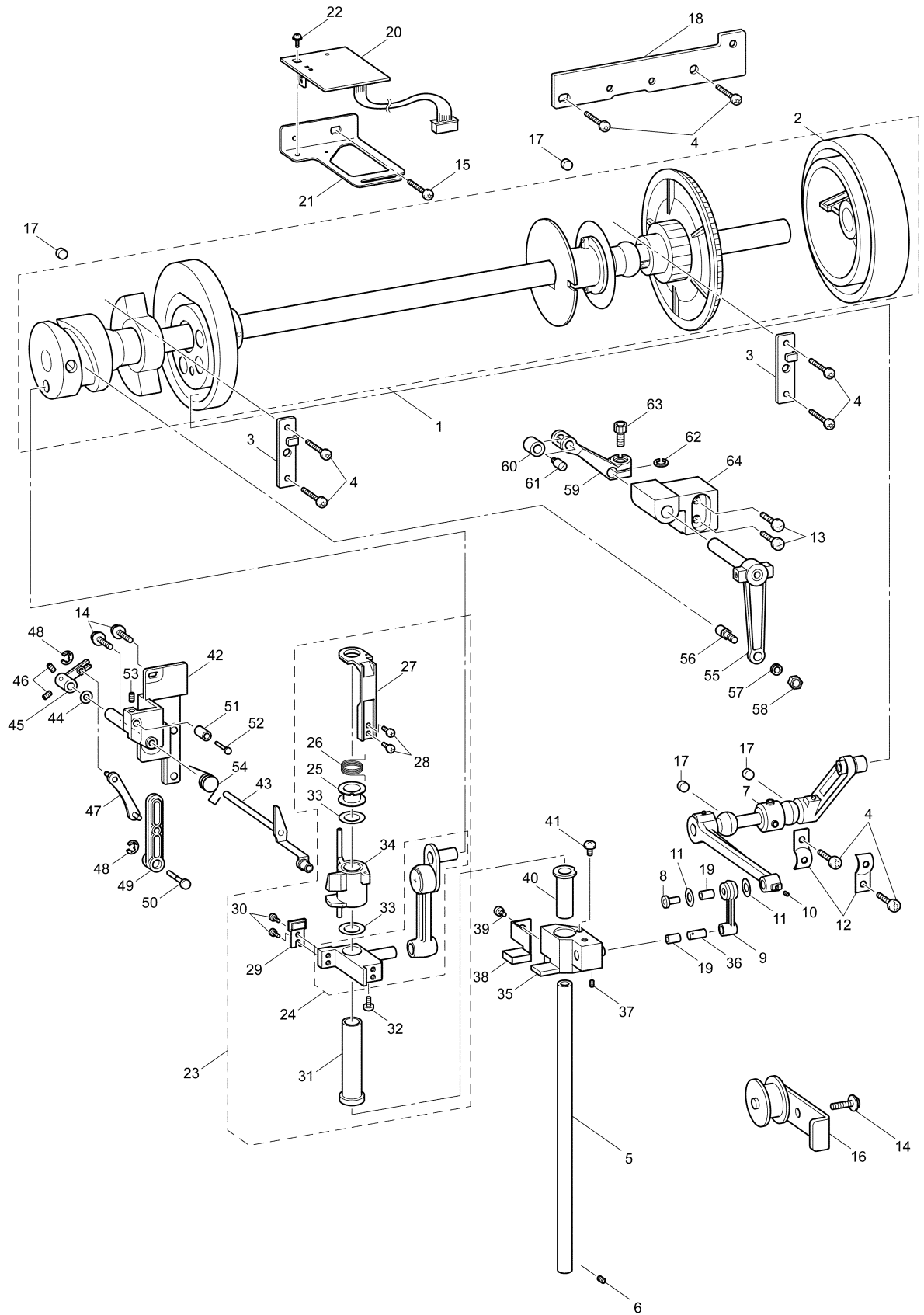
(1) PRINCIPAL PARTS



(2) UPPER SHAFT MECHANISM

No.	CODE	NAME	REMARKS	No.	CODE	NAME	REMARKS
1	XE3702001	UPPER SHAFT SUPPLY ASSY		45	XC5656051	J DIFFERENTIAL LEVER	
2	XC5597151	PULLEY		46	014300432	SET SCREW, SOCKET (CP) M3X4	
3	XC6362051	METAL PRESSER		47	XC5657051	J LINK ASSY	
4	X57908052	TAPTITE, BIND S M4X10		48	048040346	RETAINING RING, E4	
5	XC5623051	BASE NEEDLE BAR		49	XC5661051	J SLIDE LEVER	
6	014500632	SET SCREW, SOCKET (CP) M5X6		50	XC5662051	J SLIDE LEVER SHAFT	
7	XC5624251	DRIVING SHAFT ASSY, P-FOOT		51	XC5663051	J CUSHION	
8	XC5632251	P-FOOT LEVER SHAFT		52	XC5664051	J CUSHION PIN	
9	XC5633251	CONNECTING ROD, P-FOOT		53	012300432	SET SCREW, SOCKET (FT) M3X4	
10	014400432	SET SCREW, SOCKET (CP) M4X4		54	XC5665051	J LEVER SPRING	
11	X50546050	WASHER, THRUST		55	XC5639051	DRIVING LEVER ASSY, T/TAKE-UP	
12	132421051	BUSHING PRESSER		56	XC5627051	ROLLER SHAFT ASSY	
13	060501216	SCREW, BIND M5X12		57	028050246	WASHER, SPRING 2-5	
14	0A5401005	SCREW, PAN (S/P WASHER) M4X10		58	021500103	NUT, 1 M5	
15	138172051	SCREW, PAN (S/P WASHER) M4X10		59	XC5645051	DIFFERENTIAL LEVER, T/TAKE-UP	
16	XC6784051	TENSION PULLEY ASSY		60	107550002	ROLLER	
17	XC3183051	FELT		61	S32575001	THREAD TAKE-UP ROLLER PIN	
18	XD0767051	LED PCB PLATE		62	148782001	SPACER	
19	XZ0207051	LINK FELT, 3.3M		63	018501232	BOLT, SOCKET M5X12	
20	XC6136051	ASSY: MAIN SHAFT SENSOR		64	XC5646051	BEARING, T/TAKE-UP	
21	XC5666051	SENSOR HOLDER					
22	052300606	SCREW, PAN (S/P WASHER) M3X6					
23	XZ0319051	JUMP BRACKET ASSY					
24	XC7135051	CRANK ROD SET					
25	XC5616051	J SPRING COLLAR					
26	XC5617051	J SPRING					
27	XC5614051	J BRACKET					
28	062300416	SCREW, PAN M3X4					
29	XC5622051	J CUSHION BASE					
30	062260316	SCREW, PAN M2.6X3					
31	XC5621051	J VERTICAL BUSH					
32	008260304	SCREW, TRUSS M2.6X3					
33	131976050	WASHER, THRUST					
34	XC5618001	JUMP BRACKET					
35	XC5635151	P-FOOT VERTICAL BASE					
36	XC5636151	P-FOOT VERTICAL PIN					
37	014400432	SET SCREW, SOCKET (CP) M4X4					
38	XC5638151	PRESSER FOOT CUSHION BASE					
39	060300516	SCREW, BIND M3X5					
40	XC5637051	P-FOOT VERTICAL BUSH					
41	008260304	SCREW, TRUSS M2.6X3					
42	XC5648051	J BASE ASSY					
43	XC5651051	J DRIVING LEVER ASSY					
44	X53027050	WASHER					

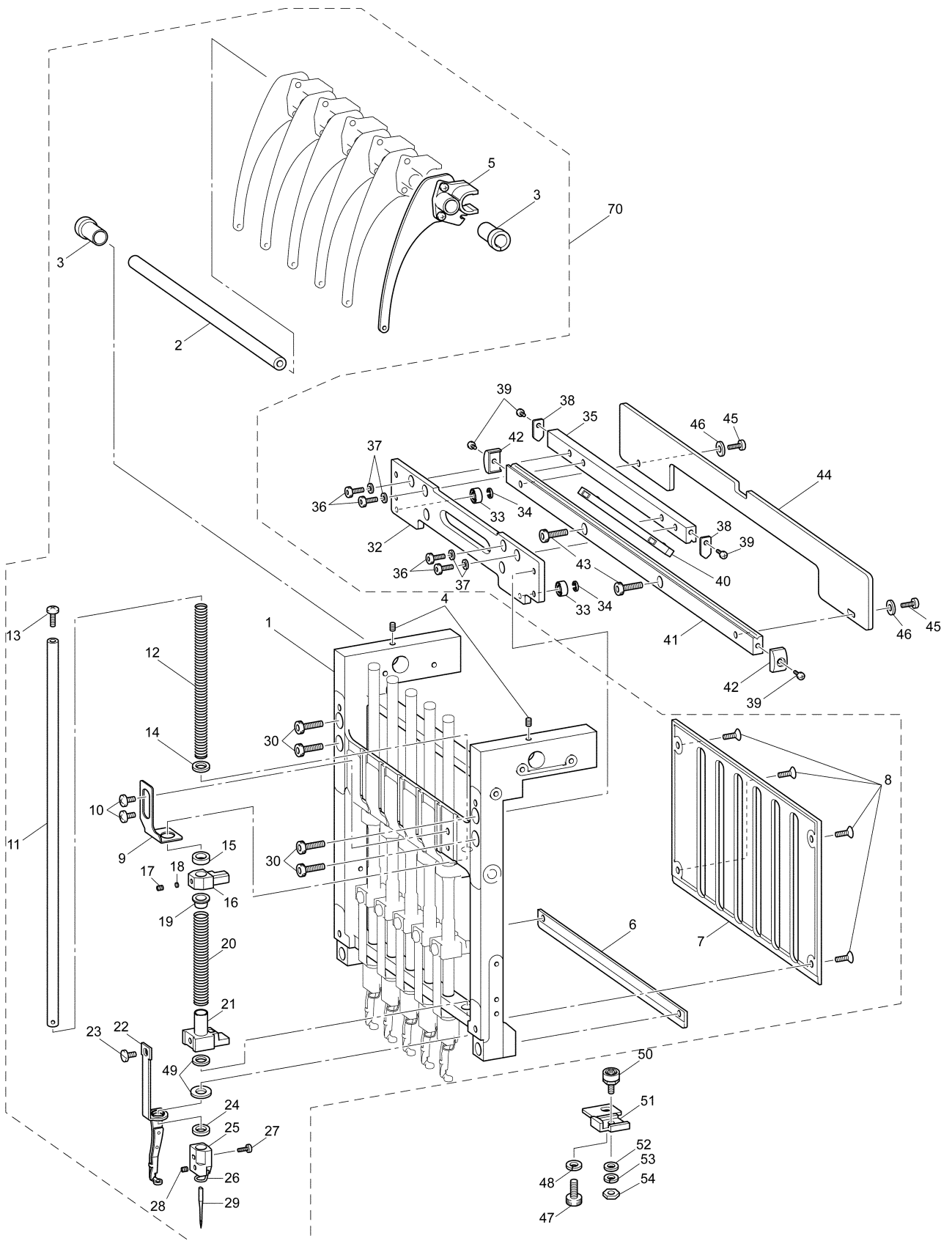
(2) UPPER SHAFT MECHANISM



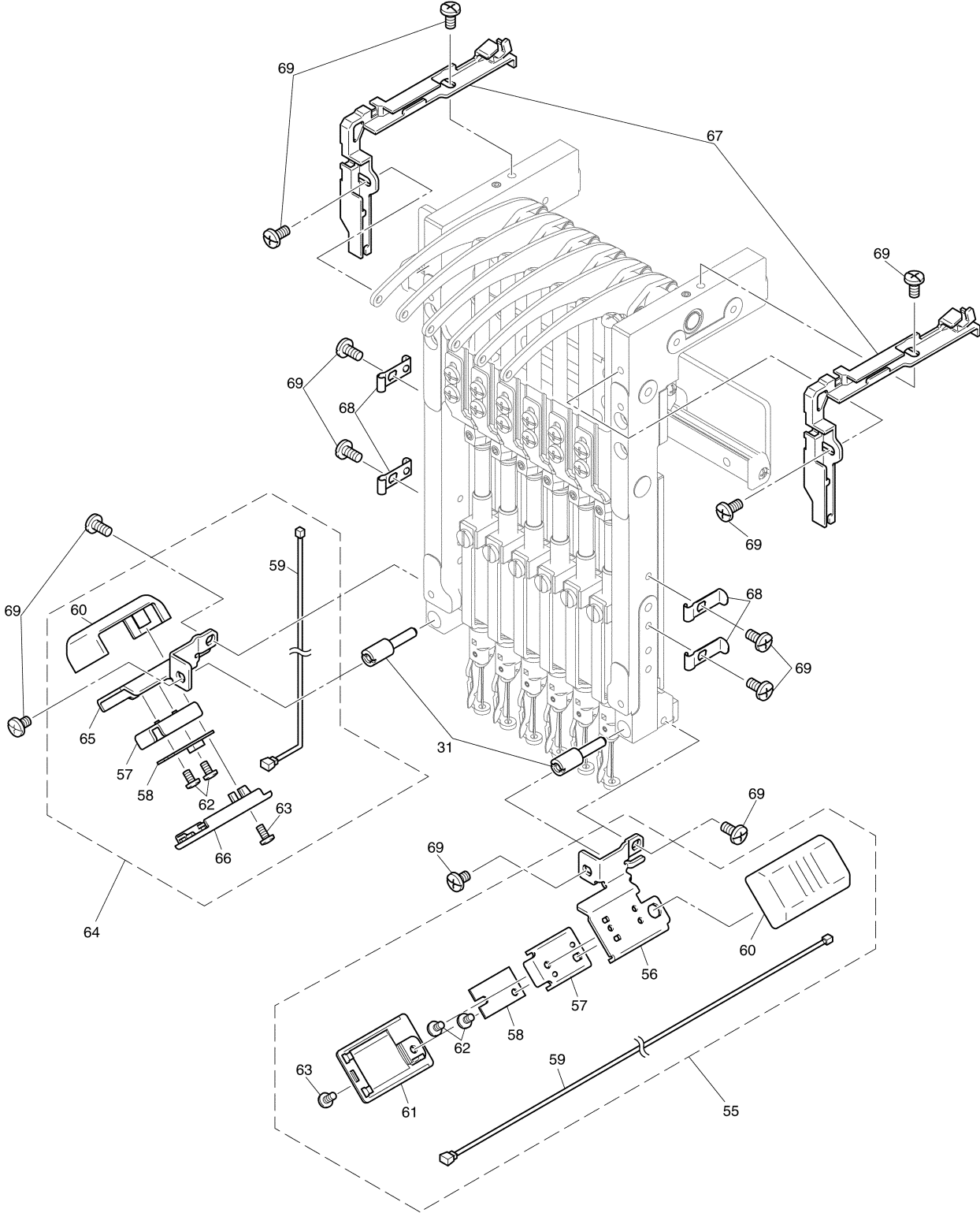
(3) NEEDLE BAR MECHANISM

No.	CODE	NAME	REMARKS	No.	CODE	NAME	REMARKS
1	XC4954251	NEEDLE BAR CASE ASSY		45	062400816	SCREW, PAN M4X8	
2	XC5671051	THREAD TAKE-UP SHAFT		46	025040236	WASHER, PLAIN M 4	
3	XC5672051	THREAD TAKE-UP BUSH		47	018501632	BOLT SOCKET M5X16	
4	012400432	SET SCREW, SOCKET (FT) M4X4		48	028050246	WASHER SPRING 2-5	
5	XC5673051	THREAD TAKE-UP LEVER ASSY		49	XC7249052	NEEDLE BAR FELT S	
6	XC5676051	CASE GUIDE, D		50	XC7472051	CASE POSITIONING SHAFT ASSY	
7	XC5677051	GUIDE RAIL, NEEDLE BAR		51	XC5702051	CASE POSITIONING PLATE	
8	004401003	SCREW, FLAT M4X10		52	025040236	WASHER PLAIN M 4	
9	XC5678051	TOP DEAD CENTER PLATE		53	028040246	WASHER SPRING 2-4	
10	060400616	SCREW, BIND M4X6		54	021400206	NUT 2 M4	
11	XC5679051	NEEDLE BAR		55	XE6260001	LED UNIT LEFT ASSY	
12	XC5680051	SPRING, NEEDLE BAR		56	XE6261001	LED BASE PLATE LEFT	
13	062500816	SCREW, PAN M5X8		57	XE6262001	LED LIGHT BASE	
14	118735002	WASHER		58	XE7036001	LED PCB SUPPLY ASSY	
15	S36153100	RUBBER, CUSHION		59	XE6206001	LEAD WIRE ASSY LED2	
16	XE1172001	NEEDLE BAR CLAMP		60	XE6263001	LED UPPER COVER	
17	014680432	SET SCREW, SOCKET SM4.37-40X4		61	XE6264001	LED LOWER COVER LEFT	
18	100507050	WASHER		62	060300516	SCREW BIND M3X5	
19	XC5682051	PRESSER FOOT SPRING COLLAR		63	X59629051	TAPTITE BIND B M3X10	1000016111
20	XC5683051	PRESSER FOOT SPRING		64	XE6266001	LED UNIT RIGHT ASSY	
21	XC5684051	PRESSER FOOT CLAMP		65	XE6267001	LED BASE PLATE RIGHT	
22	XC5685151	PRESSER FOOT ASSY		66	XE6265001	LED LOWER COVER RIGHT	
23	XC5688051	SCREW, P/F		67	XE6268101	LED CORD GUIDE	
24	XC5689051	PRESSER FOOT CUSHION		68	XE6269101	LED CORD CLAMP	
25	XC5690051	THREAD GUIDE, NEEDLE BAR		69	060400816	SCREW BIND M4X8	
26	XC7020051	THREAD GUIDE		70	XE2882101	NEEDLE BAR UNIT ASSY	
27	XC7021052	SCREW SM 2.38					
28	016300436	SET SCREW, SOCKET (CN) M3X4					
29	XC5691011	NEEDLE HAX130 EBBR					
30	018401632	BOLT, SOCKET M4X16					
31	XC9969151	STUD BOLT, M4					
32	XC5693051	CASE BRACKET ASSY					
33	070694809	BALL BEARING RADIAL 694ZZ	1000015840				
34	048030346	RETAINING RING, E3					
35	XC5696051	CASE GUIDE, US					
36	018400832	BOLT, SOCKET M4X8					
37	XC7406051	WASHER					
38	XC5697051	SLIDE ROLLER STOPPER					
39	062300416	SCREW, PAN M3X4					
40	XC5698051	SLIDE ROLLER					
41	XC5699051	CASE GUIDE, UL					
42	XC5700051	CASE GUIDE COVER, UL					
43	018401232	BOLT, SOCKET M4X12					
44	XC5701051	THREAD TAKE-UP GUIDE					

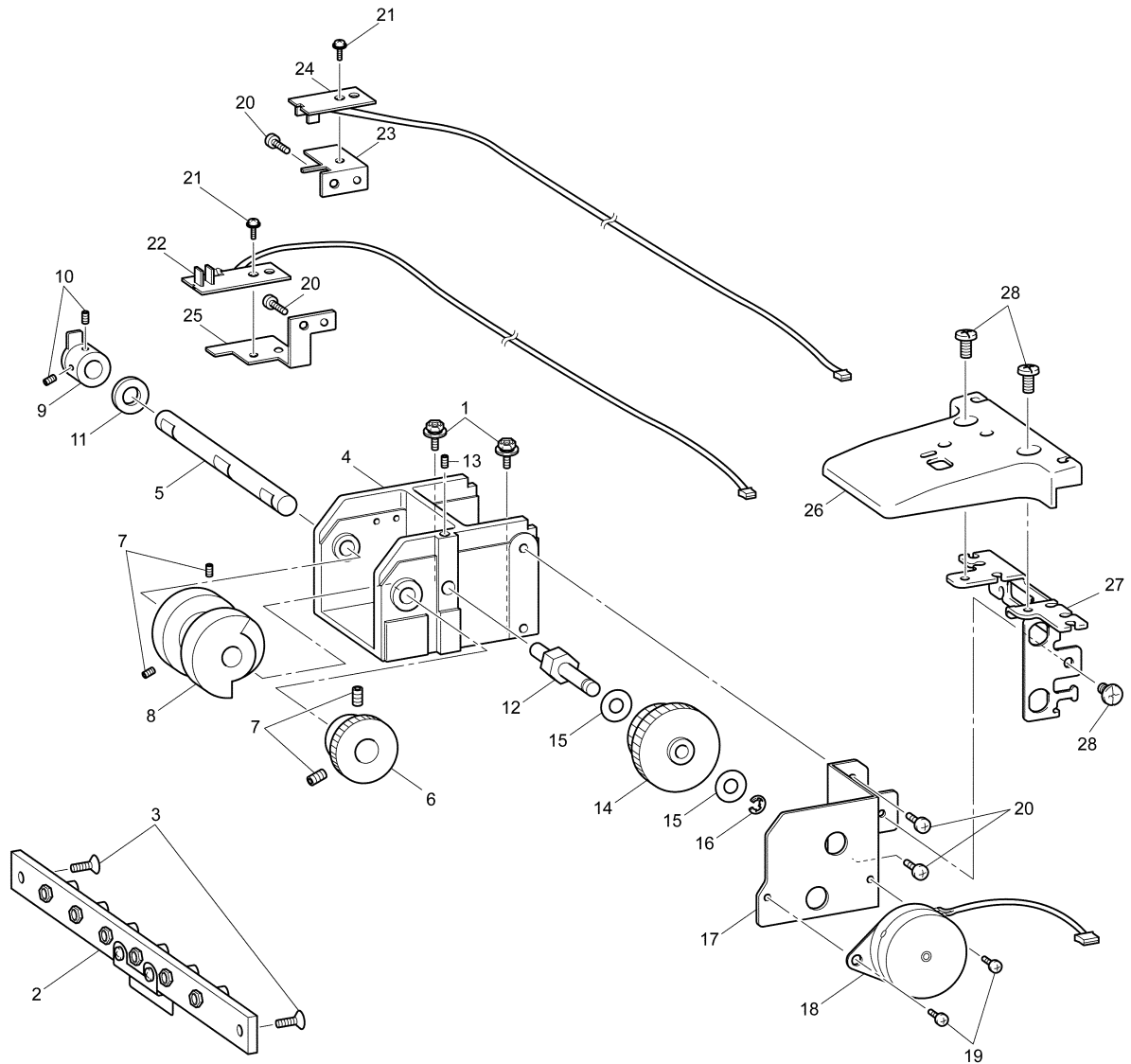
(3) NEEDLE BAR MECHANISM



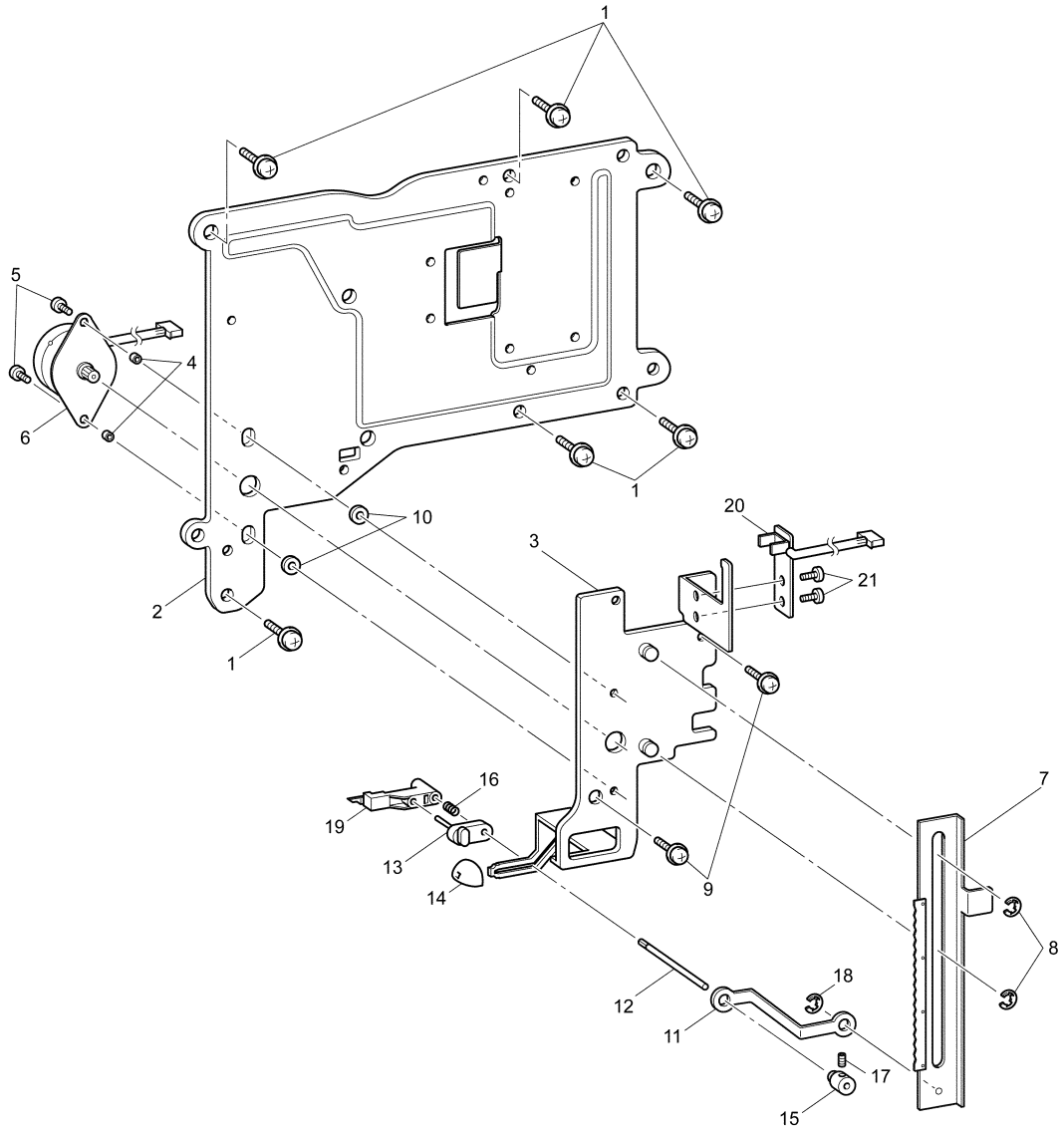
(3) NEEDLE BAR MECHANISM



(4) NEEDLE BAR CHANGE MECHANISM



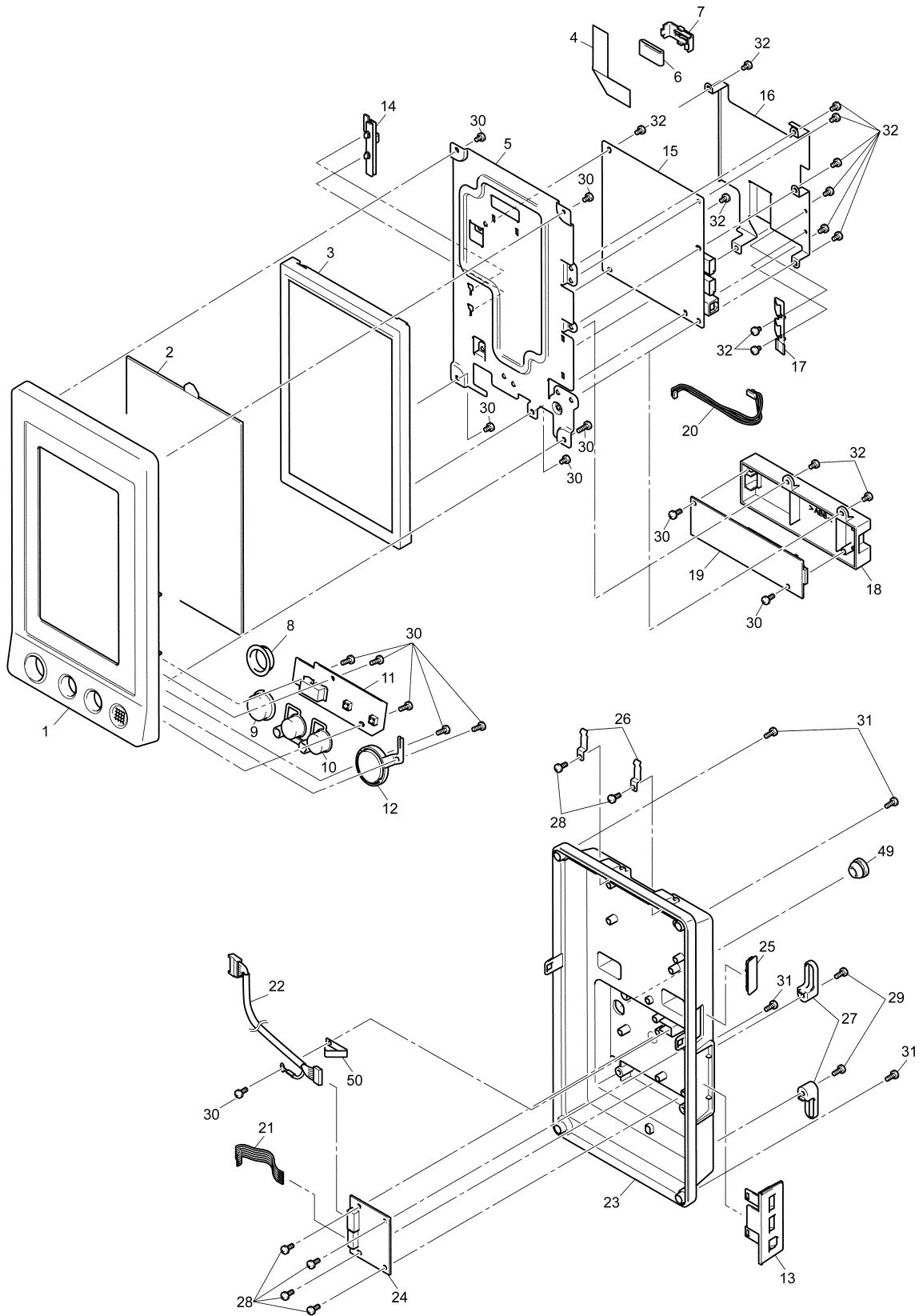
(5) THREAD GUIDE MECHANISM



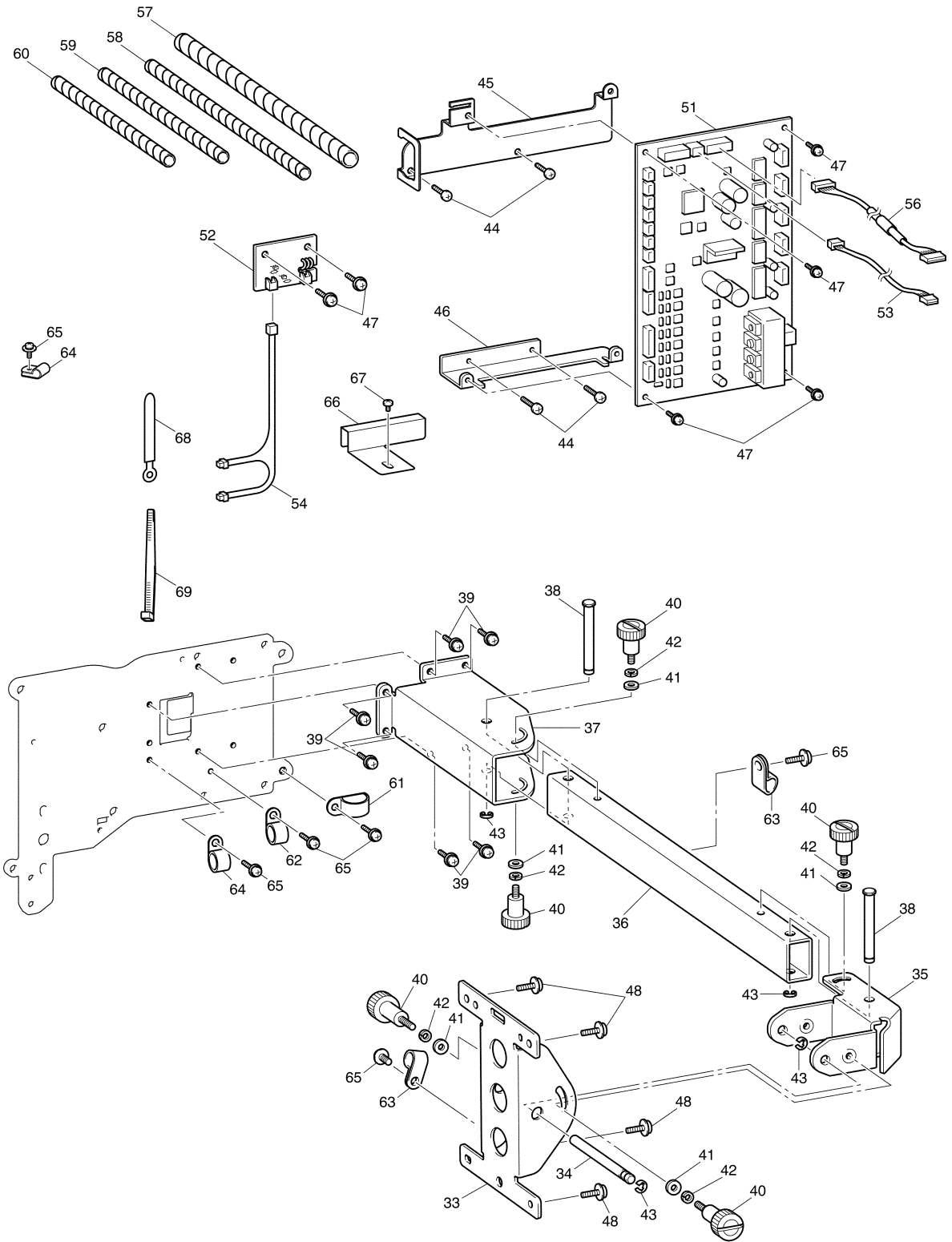
(6) ELECTRONIC PARTS

No.	CODE	NAME	REMARKS	No.	CODE	NAME	REMARKS
1	XE6355001	PANEL FRONT COVER BADGE ASSY		44	X57908052	TAPTITE, BIND S M4X10	
2	XE6294001	TOUCH PANEL: TP-3686S3F0		45	XC5756051	BOARD HOLDER U	
3	XE5138001	LCD SUPPLY ASSY (U.S.A.)		46	XC5757051	BOARD HOLDER D	
	XE5247001	LCD SUPPLY ASSY (OTHER)		47	XC7564051	SCREW, PAN (S/P WASHER) M3X6	
4	XE4372001	FLEXIBLE FLAT CABLE: SML2CD-40		48	087411416	TAPTITE, CUP B M4X14	
5	XE6228001	PCB BASE PLATE		49	XC7233051	CORD BUSHING 5P-4	
6	XE5040001	FERRITE CORE: FSRC250120RT000T		50	XE6247001	GROUND SPRING	
7	XE6229001	FERRITE HOLDER		51	XC7396151	SUPPLY ASSY: MAIN PCB	
8	XE6230001	SS BUTTON GUIDE		52	XE6154001	LED DRIVE PCB ASSY	
9	XE6232001	SS BUTTON		53	XE6207001	LEAD WIRE ASSY LED DRIVE	
10	XE6234001	OPERATION BUTTON		54	XE7533001	LEAD WIRE ASSY LED1	1000016785
11	XE6149001	SS PCB ASSY		55	XE6283001	SPIRAL TUBE LED	1000016785
12	XE6236001	SPEAKER SET		56	XC6198051	LEAD WIRE ASSY: HEAD	
13	XE6238001	USB COVER		57	XC5069051	SPIRAL TUBE A	
14	XE6240001	BOARD SUPPORTER		58	XC5073051	SPIRAL TUBE B	
15	XE7037001	PANLE PCB SUPPLY ASSY		59	XC5078051	SPIRAL TUBE C	
16	XE6241001	PANEL PCB CASE		60	XC6407051	SPIRAL TUBE D	
17	XE5267001	GROUND PLATE USB		61	XZ0201051	CORD CLAMP: WL-5/8	
18	XE3939001	INVERTER COVER		62	XC5243051	CORD CLAMP: NK-5N	
19	XE7551001	INVERTER: INV-05C06521BT	1000016326	63	XC5243052	CORD CLAMP: NK-5N	
20	XE4345001	LEAD WIRE ASSY: X1 INVERTER		64	S10243000	CORD HOLDER, NK-3N	
21	XE6156001	LEAD WIRE ASSY COM-PANEL		65	0A5401005	SCREW, PAN (S/P WASHER) M4X10	
22	XD1155051	LEAD WIRE ASSY PANEL		66	XC5157051	PROTECT SHEET	
23	XE6243101	PANEL REAR COVER	1000017481	67	060400516	SCREW, BIND M4X5	
24	XE6151001	COMMUNICATION RELAY PCB ASSY		68	T31049001	COATING CLIP CS-6	1000016785
25	XE6244001	CARD COVER		69	X53169050	BAND	1000016785
26	XE6246001	PEN HOLDER					
27	XD0761051	USB CORD HOLDER					
28	136681051	TAPTITE, BIND B M3X8					
29	X59629051	TAPTITE, BIND B M3X10					
30	136681051	TAPTITE, BIND B M3X8					
31	X59629051	TAPTITE, BIND B M3X10					
32	060300516	SCREW BIND M3X5					
33	XE6259001	PANEL HOLDER					
34	XC5747051	OPERATION PANEL HOLDER SHAFT					
35	XD0664051	OPERATION PANEL LEVER A					
36	XE7022001	OPERATION PANEL LEVER B					
37	XD0666151	OPERATION PANEL LEVER C	1000017557				
38	XC5751051	OPERATION PANEL LEVER SHAFT					
39	0A5400806	SCREW, PAN (S/P WASHER) M4X8					
40	XC5553051	THUMB BOLT M4 L					
41	026040236	WASHER, PLAIN M 4					
42	028040246	WASHER, SPRING 2-4					
43	048060346	RETAINING RING, E6					

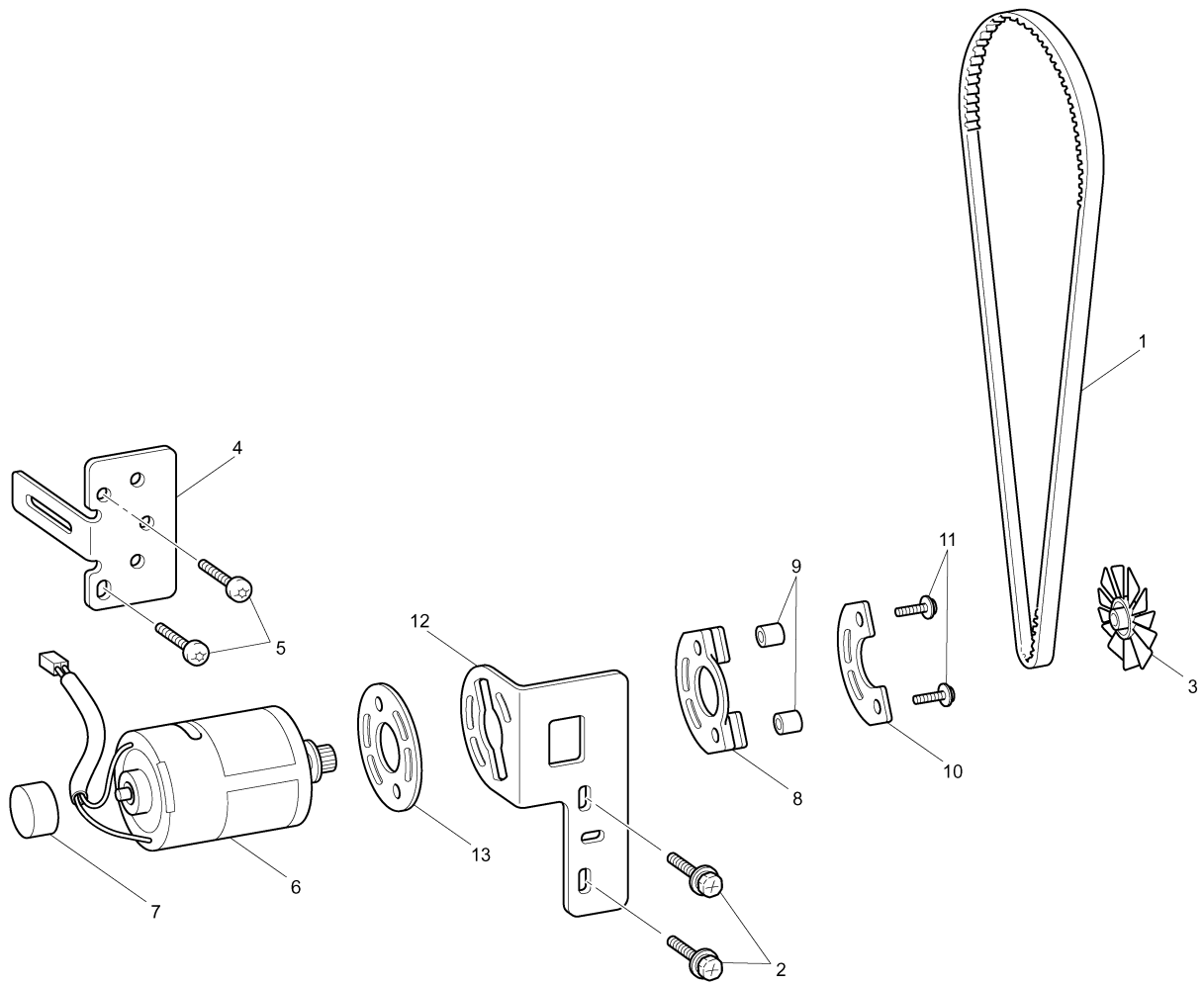
(6) ELECTRONIC PARTS



(6) ELECTRONIC PARTS



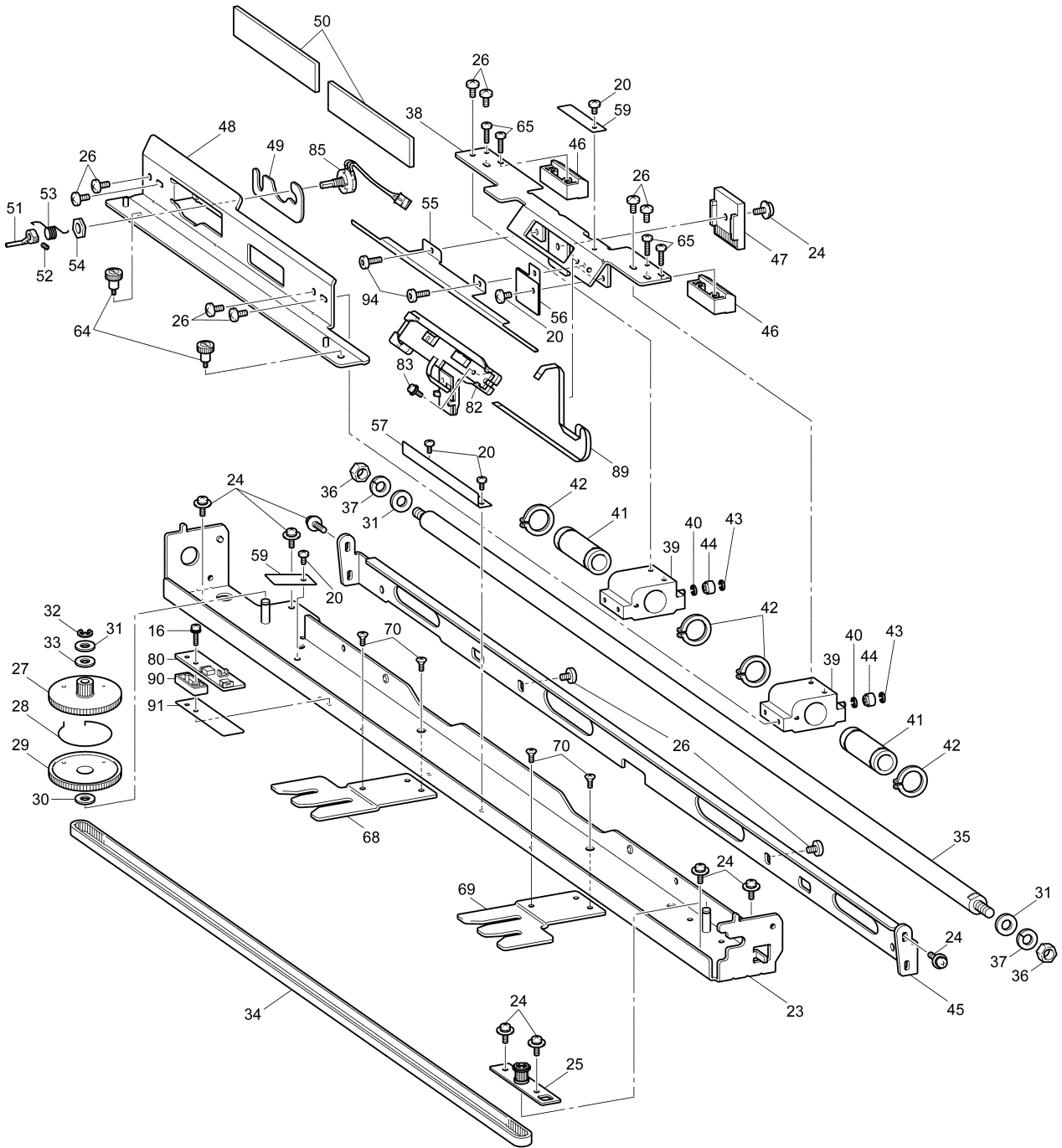
(7) MOTOR UNIT



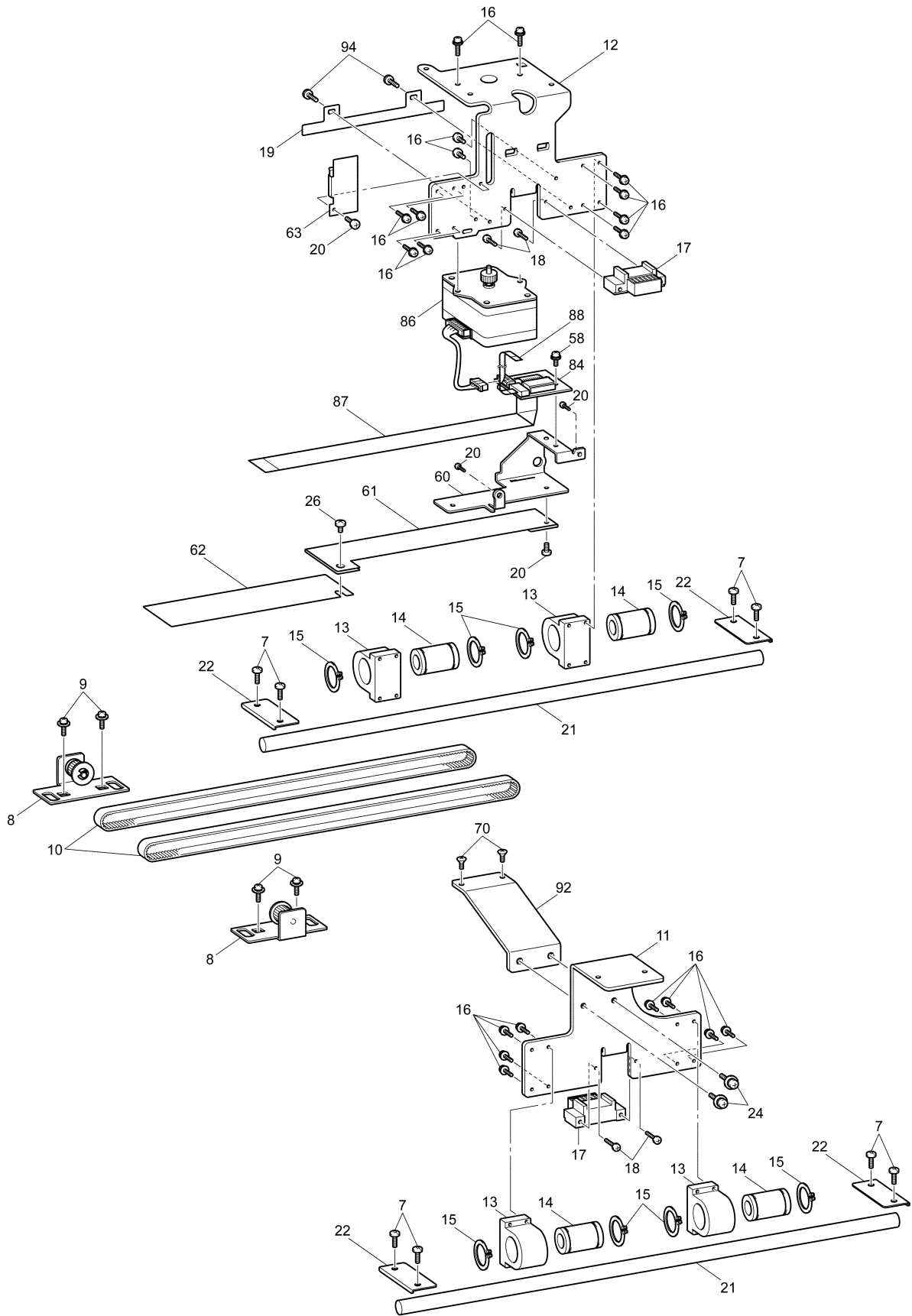
(8) FEED MECHANISM

No.	CODE	NAME	REMARKS	No.	CODE	NAME	REMARKS
1	XD0747051	ADJUST BOLT M8		45	XC6221051	X FEED FRAME B	
2	XD0751051	WASHER		46	XC6218051	Y FRAME SPACER	
3	XD0752051	RUBBER CUSHION		47	XC5798051	X BELT PRESSER	
4	021080206	NUT, 2 M8		48	XC5799151	X CARRIAGE A ASSY	
5	XC5767151	Y DRIVING SHAFT ASSY		49	XE2313001	PT METER PLATE	
6	X52478051	BUSHING PRESSER		50	XC6220001	X CARRIAGE SLIDING SHEET	
7	X57908052	TAPTITE, BIND S M4X10		51	XC5801051	HOOP LEVER	
8	XC5771051	Y TENSION PLATE SET		52	012300632	SET SCREW, SOCKET (FT) M3X6	
9	0A5401006	SCREW, PAN (S/P WASHER) M4X10		53	XC5802051	SPRING	
10	XC5775051	T BELT B60S3M579		54	X52569001	NUT	
11	XC5776051	Y CARRIAGE R		55	XC5803051	X SENSOR DOG	
12	XC5777051	Y CARRIAGE L		56	XC5804051	X CABLE FIXING SHEET A	
13	XC5779051	BEARING CASE Y		57	XC5805051	X CABLE FIXING SHEET B	
14	XC5780051	BEARING 10, LINER	1000015840	58	XC7564051	SCREW, PAN (S/P WASHER) M3X6	
15	048190142	RETAINING RING, EXTERNAL C19		59	XC5806051	X CABLE FIXING SHEET C	
16	0A4301006	SCREW, PAN (S/P WASHER) M3X10		60	XC5807051	PCB SET PLATE	
17	XC5781051	Y BELT PRESSER		61	XC5808051	Y CABLE PROTECTION SHEET A	
18	085311416	TAPTITE, BIND P M3X14		62	XC6121051	Y CABLE PROTECTION SHEET B	
19	XC5782051	Y SENSOR DOG		63	XC5809151	CODE GRIP	1000017478
20	060300416	SCREW, BIND M3X4		64	XC5817051	SCREW, KNOB M4S	
21	XC5783051	Y GUIDE SHAFT		65	X59629051	TAPTITE, BIND B M3X10	
22	XC5784051	FIXED Y SHAFT PLATE		66	XC5834051	HANDLE	
23	XC5785051	FEED FRAME ASSY		67	XC5835051	BUSH 4X4	
24	0A5400806	SCREW, PAN (S/P WASHER) M4X8		68	XE2319001	CYLINDER CONNECTION L	
25	XA9657051	TENSION PULLEY ASSY		69	XE2320001	CYLINDER CONNECTION R	
26	060400616	SCREW, BIND M4X6		70	061300616	SCREW, FLAT M3X6	
27	XC3227001	Y DRIVING GEAR PULLEY A		71	XC5838051	USB PCB HOLDER	
28	XC3194051	SPRING FOR GEAR		72	XE6306001	USB PCB COVER	
29	XC3192001	Y DRIVING GEAR PULLEY B		73	XC5839151	INLET COVER	1000017442
30	X50546050	WASHER, THRUST		74	XC6072051	INLET COVER LID	
31	XE0863051	WASHER, M6		75	XA8837051	CORD CLAMP	
32	048040343	RETAINING RING, E4		76	XA7678051	CORD CRAMP	
33	X53838051	WASHER		77	XE7045001	FERRITE CORE: LF0930A	
34	XC5788051	T BELT B60S796		78	XC6201051	ASSY: POWER SW (USA, CAN, MEX)	
35	XC5789051	X GUIDE SHAFT			XC5644051	ASSY: POWER SW EC (OTHER)	
36	021060206	NUT, 2 M6		79	XC5840052	SWITCH HOLDER	
37	028060246	WASHER, SPRING 2-6		80	XC6146051	ASSY: X AREA SENSOR	
38	XC5790051	X CARRIAGE B		81	XC6148051	ASSY: Y AREA SENSOR	
39	XC5792051	BEARING CASE X ASSY		82	XE1808001	MAGNET PCB ASSY	
40	048040343	RETAINING RING, E4		83	0A4300806	SCREW PAN (S/P WASHER) M3X8	
41	XC6222051	BEARING 12 LINER	1000015840	84	XC6171051	ASSY: CONNECT PCB	
42	048210142	RETAINING RING, EXTERNAL C21		85	XC6177051	ASSY: HOOP SENSOR	
43	048040343	RETAINING RING, E4		86	XC6182051	ASSY: X MOTOR	
44	XC5796051	X ROLLER		87	XC6189051	FFC: SML2CD-Y	

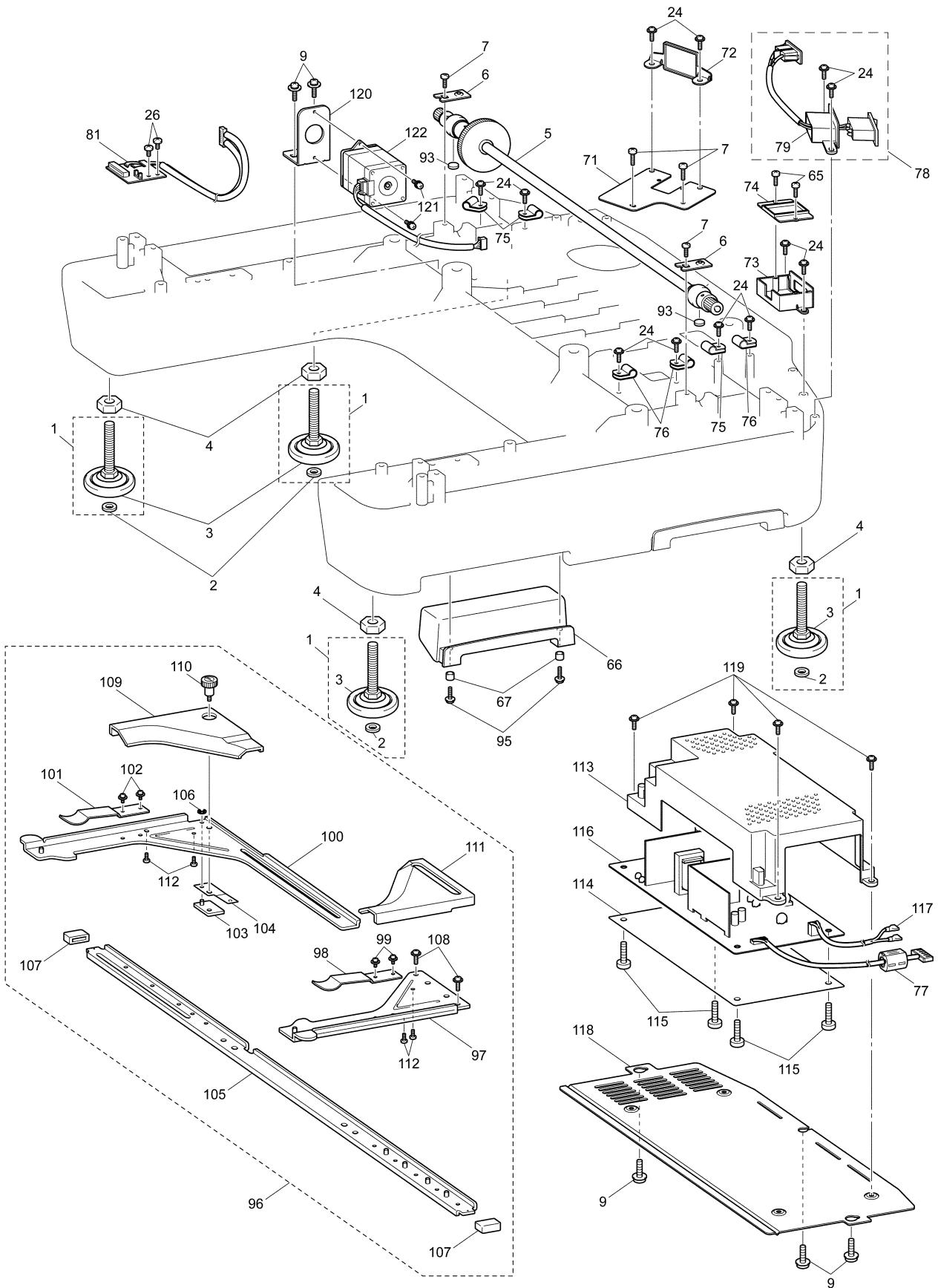
(8) FEED MECHANISM



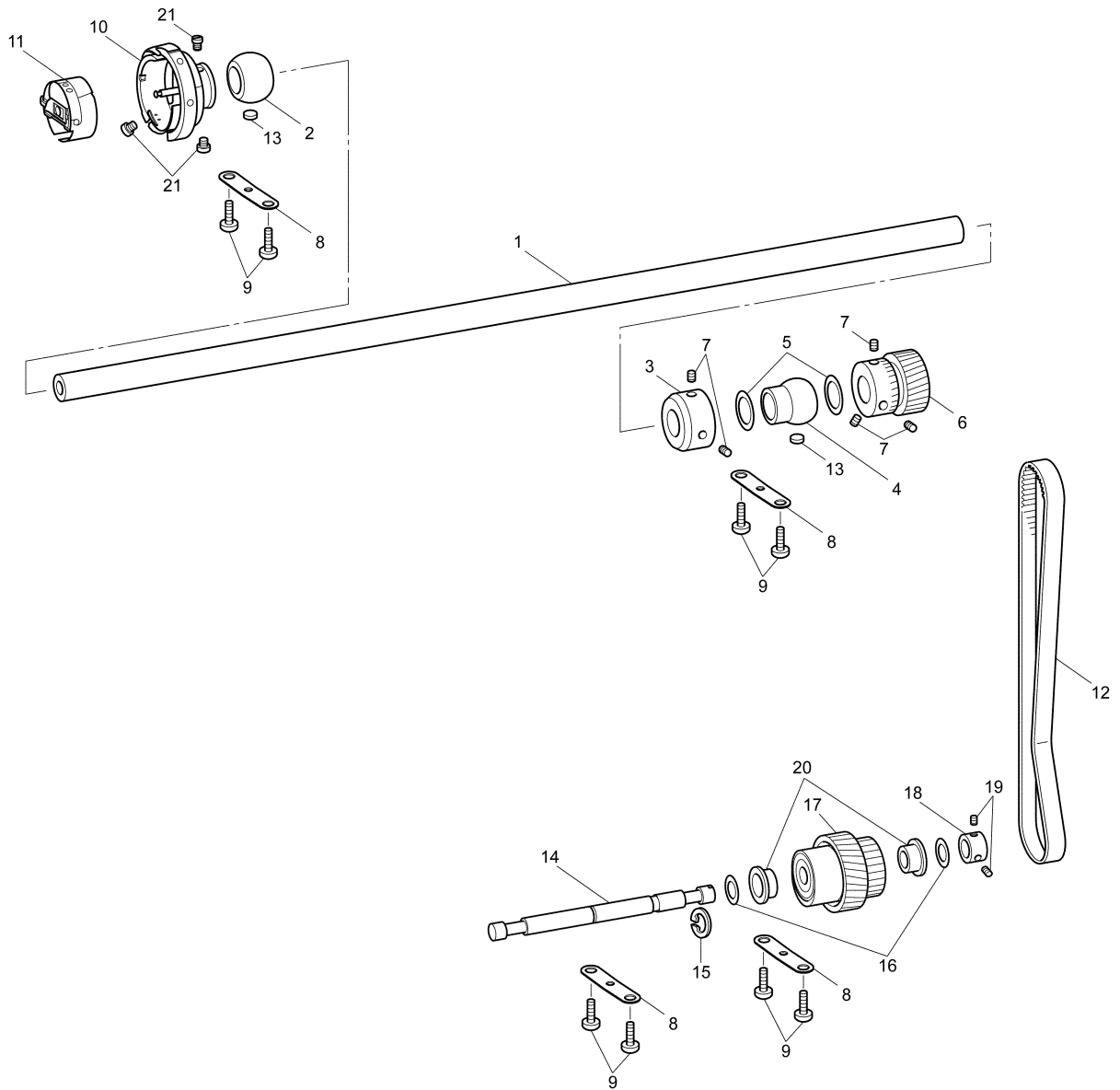
(8) FEED MECHANISM



(8) FEED MECHANISM



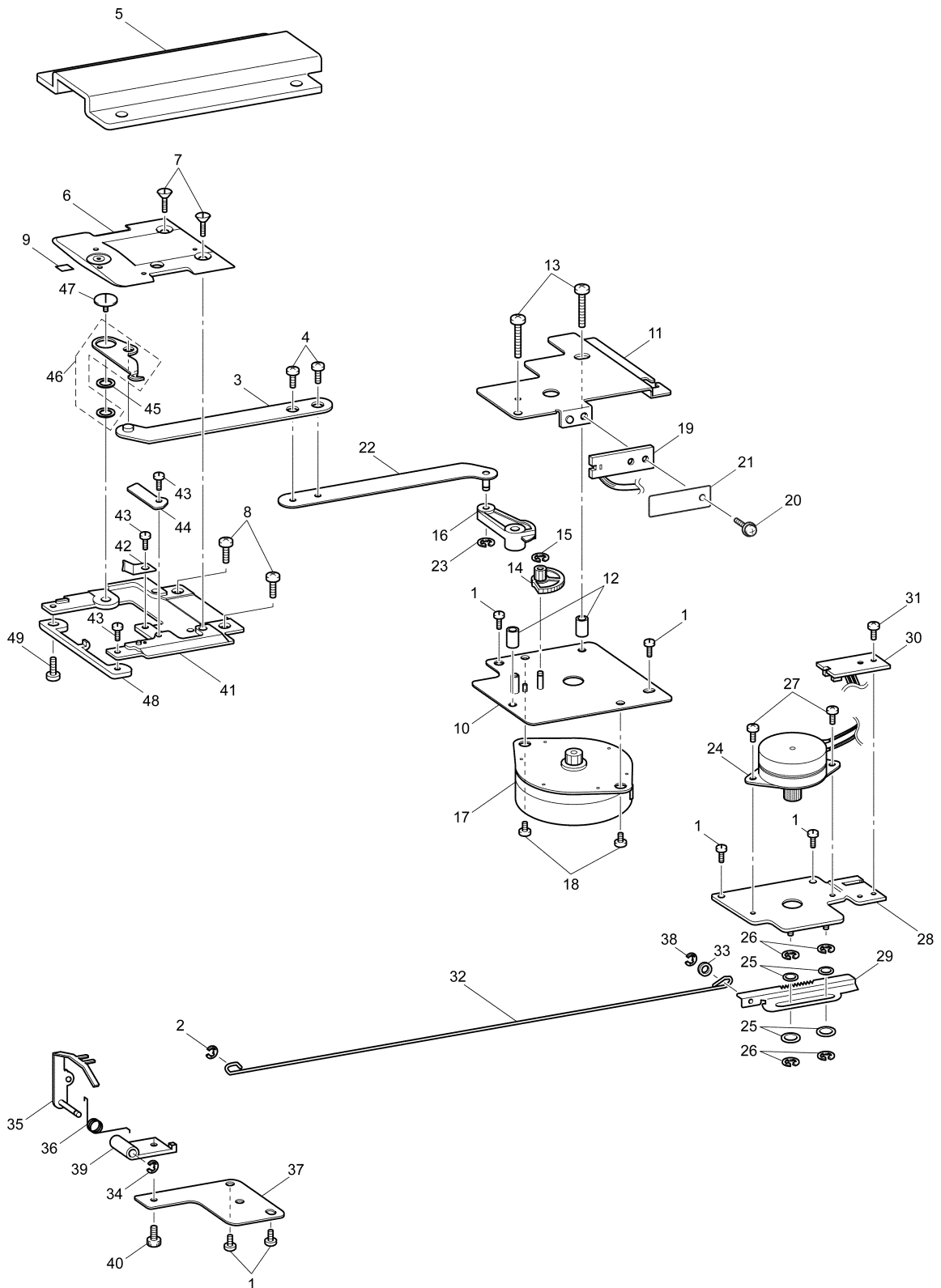
(9) LOWER SHAFT MECHANISM



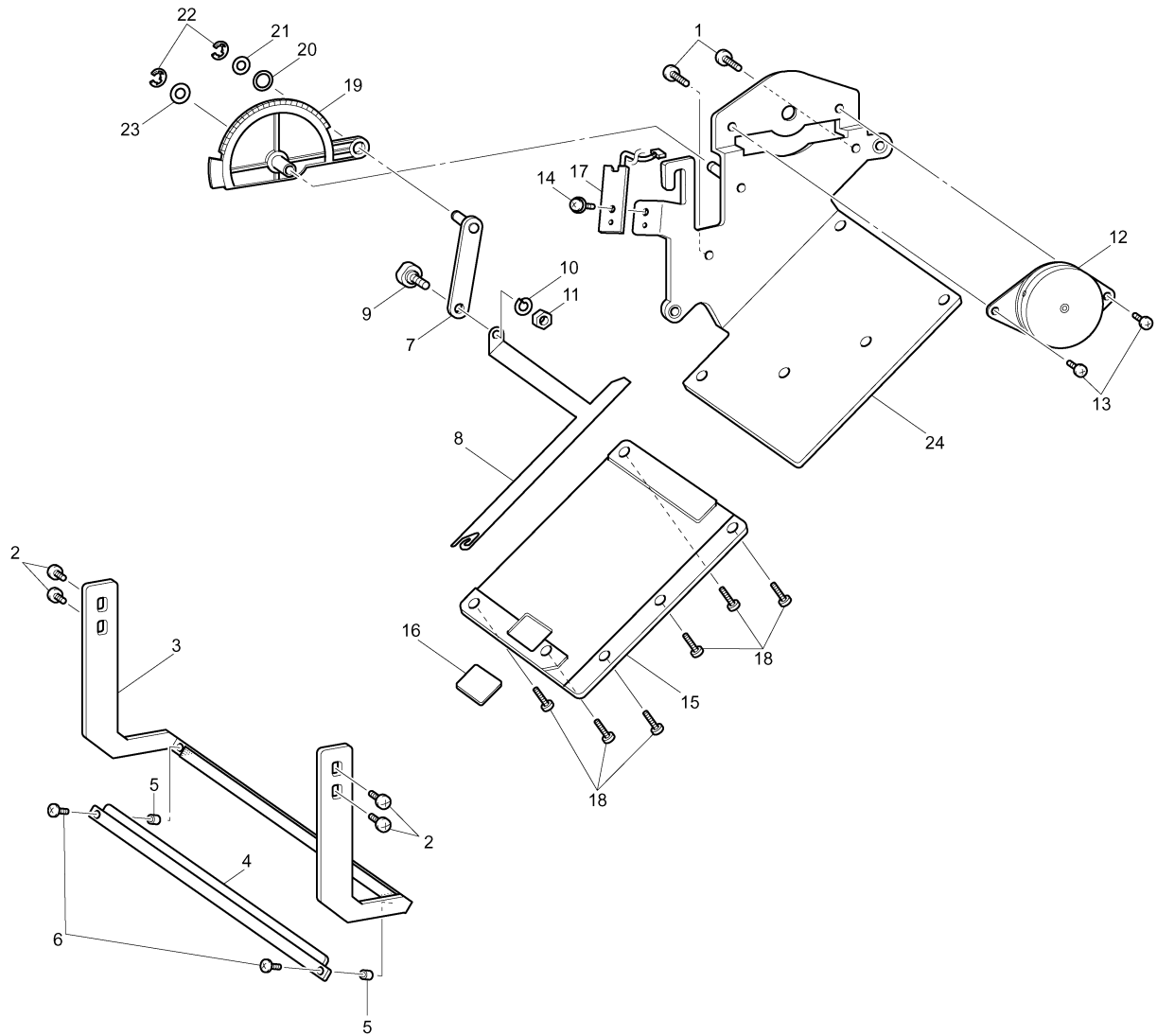
(10) THREAD CUTTING MECHANISM

No.	CODE	NAME	REMARKS	No.	CODE	NAME	REMARKS
1	060400616	SCREW, BIND M4X6		46	XC6908151	MOVABLE KNIFE SUPPLY ASSY	
2	048020346	RETAINING RING, E2		47	S32475001	SCREW, M4	
3	XC5871051	CUTTER LINK ASSY		48	XC5879051	ROTARY HOOK STOPPER	
4	060300416	SCREW, BIND M3X4		49	018300636	BOLT, SOCKET M3X6	
5	XC5874051	BED COVER					
6	XE1142001	NEEDLE PLATE					
7	XC6404051	SCREW, FLAT M4					
8	062400816	SCREW, PAN M4X8					
9	XC5984051	FELT					
10	XC5858051	CT MOTOR BRACKET ASSY					
11	XC5863051	CUTTER BRACKET					
12	XC5864051	COLLAR					
13	000401605	SCREW, BIND M4X16					
14	XC5865051	INITIAL GEAR					
15	048020346	RETAINING RING, E2					
16	XC5866051	LEVER GEAR					
17	XC6184051	ASSY: TH CUTTER MOTOR					
18	060300416	SCREW, BIND M3X4					
19	XC6152051	ASSY: TH CUTTER SENSOR					
20	052300606	SCREW, PAN (S/P WASHER) M3X6					
21	XE7791001	INSULATION SHEET	1000017060				
22	XC5868051	LEVER LINK ASSY					
23	048040346	RETAINING RING, E4					
24	XC6187051	ASSY: PICKER MOTOR					
25	026030136	WASHER, PLAIN S 3					
26	048020346	RETAINING RING, E2					
27	060300416	SCREW, BIND M3X4					
28	XC5510051	PK MOTOR BRACKET ASSY					
29	XC5513151	RACK ASSY					
30	XC6161051	ASSY: PICKER SENSOR					
31	052300606	SCREW, PAN (S/P WASHER) M3X6					
32	XC5856051	PICKER LINK					
33	026030136	WASHER, PLAIN S 3					
34	048020346	RETAINING RING, E2					
35	XC5849151	PICKER ASSY					
36	XC5853051	PICKER SPRING					
37	XC5854051	PICKER BRACKET					
38	048020343	RETAINING RING, E2					
39	XC6634151	PICKER HOLDER					
40	018300532	BOLT, SOCKET M3X5					
41	XC5876051	NEEDLE PLATE BASE ASSY					
42	XC6230051	THREAD HOLDING PLATE					
43	XC5881051	SCREW					
44	XC5882051	FIXED KNIFE					
45	S32476001	COLLAR, M-KNIFE					

(10) THREAD CUTTING MECHANISM



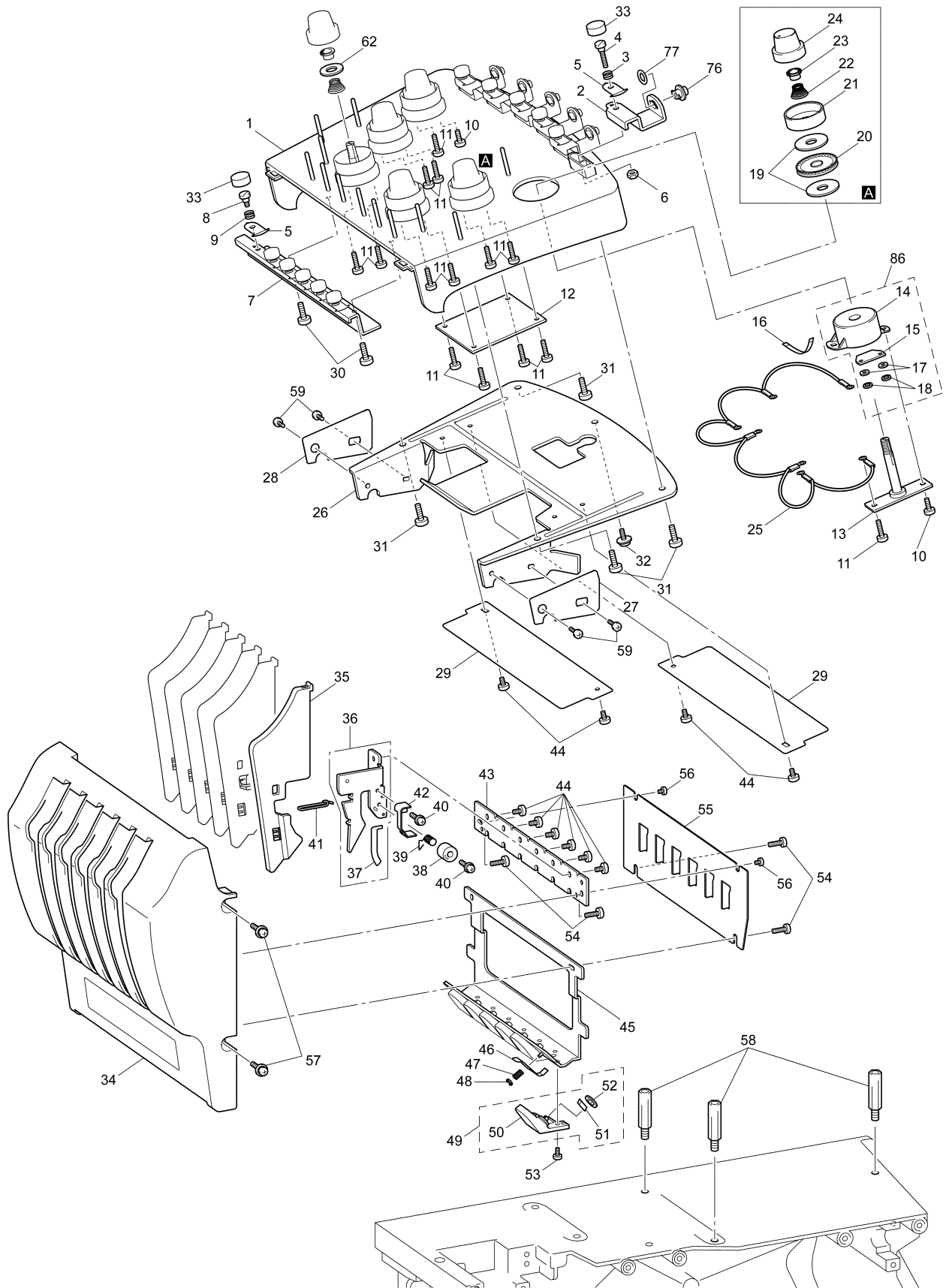
(11) THREAD WIPER MECHANISM



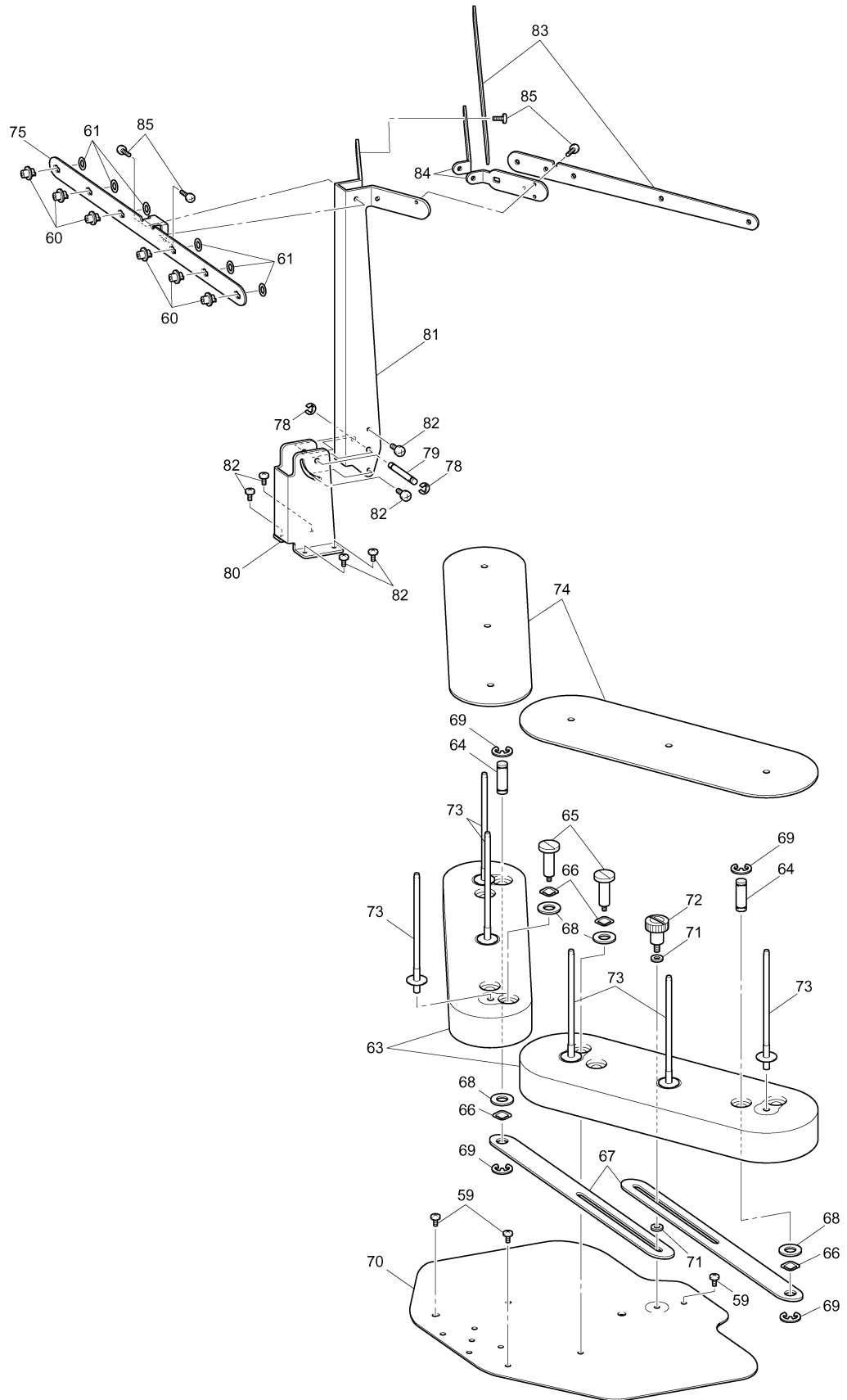
(12) UPPER THREAD GUIDE MECHANISM

No.	CODE	NAME	REMARKS	No.	CODE	NAME	REMARKS
1	XC6350251	TENSION BASE		45	XE3394001	THREAD HOLDER BASE ASSY	
2	XC5905051	UPPER THREAD EYELET BASE		46	XC5947051	NEEDLE THREAD PRESSER PLATE	
3	XC6231051	THREAD GUIDE COMPRESSION		47	XC5962051	SPRING	
4	XC5909051	THREAD GUIDE TENSION SCREW		48	048015346	RETAINING RING, E1.5	
5	XC5907051	THREAD GUIDE TENSION PLATE		49	XC5967051	CUTTER COVER ASSY	
6	021300205	NUT, 2 M3		50	XC5972051	CUTTER COVER	
7	XC5908051	INNER THREAD EYELET BASE		51	X80321001	NT LOWER THREAD CUTTER	
8	XC5906051	THREAD GUIDE TENSION AXIS		52	138384051	RETAINING RING, CS5	
9	XZ0198051	BOBBIN WINDER COMPRESSION		53	0A5300606	SCREW, PAN (S/P WASHER) M3X6	
10	136681051	TAPTITE, BIND B M3X8		54	085311016	TAPTITE, BIND B M3X10	
11	X59629051	TAPTITE, BIND B M3X10		55	XC5934051	THREAD GUIDE BACK COVER	
12	XC6164051	ASSY: HEAD PCB		56	060260316	SCREW, BIND M2.6X3	
13	XC5911051	THREAD TENSION BRACKET		57	0A5401006	SCREW, PAN (S/P WASHER) M4X10	
14	XC5914153	THREAD QUANTITY SENSOR COVER		58	XC5935051	STUD	
15	XC6167051	ASSY: TH SENSOR		59	060400816	SCREW, BIND M4X8	
16	XC6192051	FFC: SML2CD-H		60	XC5812051	PIPE BUSH A	
17	XC5880051	RUBBER WASHER		61	081005070	O RING, P5	
18	138334051	RETAINING RING, CS2		62	XC7254051	WASHER	
19	S36299001	TENSION DISC FELT		63	XC5938051	SPOOL STAND FRAME	
20	XC7602000	ROTARY DISC ASSY B		64	XC5939051	SPOOL STAND STUD	
21	XC5915051	TENSION DISC PRESSER		65	XC5943051	STUD SCREW	
22	XC6232051	TENSION SPRING		66	XC5945051	SPRING WASHER	
23	S30564000	WASHER		67	XC5946051	SPOOL STAND LINK	
24	XC5916051	TENSION NUT		68	XA9677051	WASHER	
25	XC6199051	LEAD WIRE ASSY: HEAD EARTH		69	048080346	RETAINING RING, E8	
26	XC5917151	TENSION BASE BRACKET		70	XC5936051	SPOOL STAND BASE	
27	XC5883051	COLOR SHEET R		71	XC5948051	SPACER	
28	XC5895051	COLOR SHEET L		72	XC5553051	THUMB BOLT M4 L	
29	XC6202051	BRACKET COVER		73	XC5949051	SPOOL PIN	
30	085410816	TAPTITE, BIND B M4X8		74	XC5950053	SPONGE	
31	085411416	TAPTITE, BIND B M4X14		75	XC5830051	ANTENNA E	
32	XC7564051	SCREW, PAN (S/P WASHER) M3X6		76	XC5812051	PIPE BUSH A	
33	XC5919053	TENSION AXIS CAP		77	081005070	O RING, P5	
34	XE6376001	TAKEUP LEVER COVER ASSY		78	048050346	RETAINING RING, E5	
35	XC6001051	THREAD GUIDE COVER		79	XC6238051	ANTENNA SHAFT	
36	XC5921051	THREAD TAKE-UP BRACKET ASSY		80	XC6237051	ANTENNA D	
37	XC5925051	SPRING TAPE		81	XC5951051	ANTENNA C ASSY	
38	XC6463051	THREAD CATCHING SPRING CASE		82	060400616	SCREW, BIND M4X6	
39	XC5926051	THREAD TAKE-UP SPRING		83	XC6236051	ANTENNA B	
40	0A4300606	SCREW, PAN (S/P WASHER) M3X6		84	XC6235051	ANTENNA A	
41	XC5929051	THREAD GUIDE WIRE		85	060300616	SCREW, BIND M3X6	
42	XC6234051	THREAD GUARD		86	XD0177053	TH SENSOR SUPPLY ASSY	
43	XC5930051	THREAD TENSION BRACKET BASE					
44	060300416	SCREW, BIND M3X4					

(12) UPPER THREAD GUIDE MECHANISM



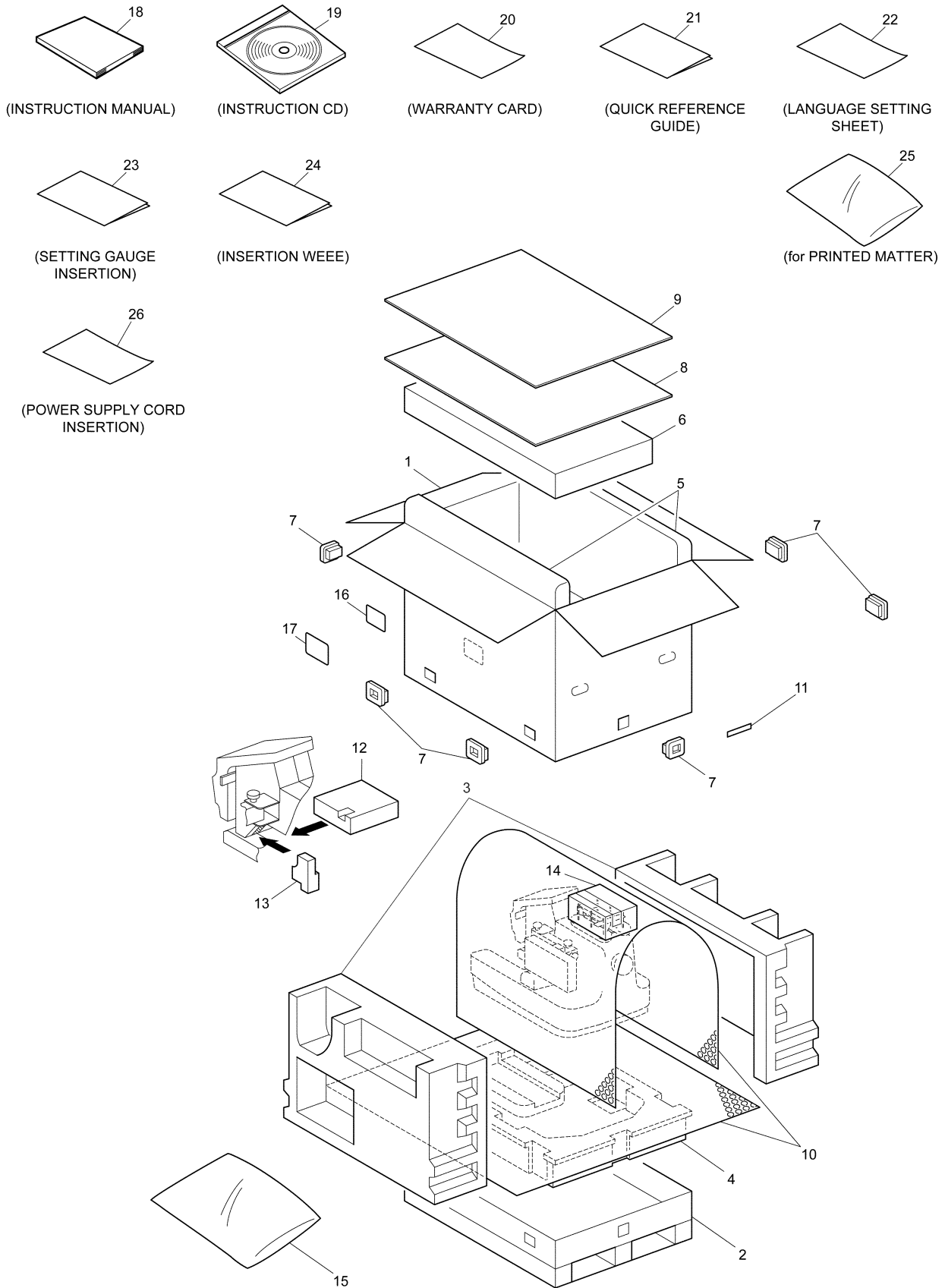
(12) UPPER THREAD GUIDE MECHANISM



(13) ATTACHMENTS

No.	CODE	NAME	REMARKS	No.	CODE	NAME	REMARKS
1	XC5954051	TUBULAR FRAME 30X20 ASSY		45	X55468051	SCREW DRIVER S	
2	XC5955051	TUBULAR FRAME 30X20 INNER		46	XC4957051	NEEDLE EXCHANGE TOOL	
3	XC5956151	TUBULAR FRAME 30X20 OUTER		47	XC6159051	WRENCH 13X10	
4	S32798001	COLLAR		48	XD1851051	USB I/F CORE CABLE 3M	
5	S32799001	NUT, M4		49	XC5704051	EMBROIDERY SHEET 30X20 ASSY	
6	XC5957051	SCREW, M4		50	XC5721051	EMBROIDERY SHEET 18X13 ASSY	
7	S36043000	SPRING, COMPRESSION 5.3X47.7		51	XC5759051	EMBROIDERY SHEET 10X10 ASSY	
8	XC5958051	HOLDER 30X20		52	XC5761051	EMBROIDERY SHEET 06X04 ASSY	
9	062401416	SCREW, PAN M4X14		53	XC6469001	NEEDLE ASSEMBLY	
10	021400206	NUT, 2 M4		54	XC6499151	NEEDLE PLATE COVER	
11	X60224051	BAG 350X700H		55	XC7134051	SPOOL FELT	
12	XC5959051	TUBULAR FRAME 18X13 ASSY		56	130012054	SPOOL PRESSER A	
13	XC5960051	TUBULAR FRAME 18X13 INNER		57	XE7256001	POWER SUPPLY CORD: CSA-CORE (USA, MEX)	
14	XC5961051	TUBULAR FRAME 18X13 OUTER			XE7261001	POWER SUPPLY CORD: IRAM-CORE (ARG)	
15	XC5963051	HOLDER 18X13			XE7263001	POWER SUPPLY CORD: BRZ-CORE (BRA)	
16	XC5964051	TUBULAR FRAME 10X10 ASSY			XE7258001	POWER SUPPLY CORD: BS-CORE (UK)	
17	XC5965051	TUBULAR FRAME 10X10 INNER			XE7257001	POWER SUPPLY CORD: CEE-CORE (OTHER)	
18	XC5966051	TUBULAR FRAME 10X10 OUTER			XE7260001	POWER SUPPLY CORD: SAA-LF CORE (AUS)	1000015674
19	XC5968051	HOLDER 10X10		58	XE6620001	CARD READER HOLDER	
20	060300516	SCREW, BIND M3X5		59	ACC	SETTING FRAME GAUGE ASSY (PR650C)	
21	025030236	WASHER, PLAIN M 3					
22	XZ0197051	BAG 180X470					
23	XC5969051	TUBULAR FRAME 06X04 ASSY					
24	XC5970051	TUBULAR FRAME 06X04 INNER					
25	XC5971051	TUBULAR FRAME 06X04 OUTER					
26	XC5973051	HOLDER 06X04					
27	XE2268001	CAP DRIVER C ASSY (PR650C)					
28	ACC	CAP FRAME C (PR650C)					
29	XC7150051	SHEET (PR650C)					
30	XC6482051	ACCESSORY CASE					
31	XC5159051	HEXAGONAL DRIVER, 1.5					
32	X59476051	CLEANING BRUSH					
33	S34455000	NET, 160L					
34	XC6542051	PINCETTE					
35	X54243051	SEAM RIPPER					
36	XC6543051	SCREW DRIVER, 2X100					
37	XC1807121	SCISSORS					
38	XC5974151	BOBBIN TENSION GAUGE					
39	XA9940051	TOUCH PEN					
40	XC6545051	Z-TYPE SCREW-DRIVER, +-					
41	XZ0206051	OILER B ASSY					
42	XC1074051	DISC-SHAPED SCREWDRIVER					
43	XC6368051	BOBBIN					
44	X60838051	BAG, 70X110C					

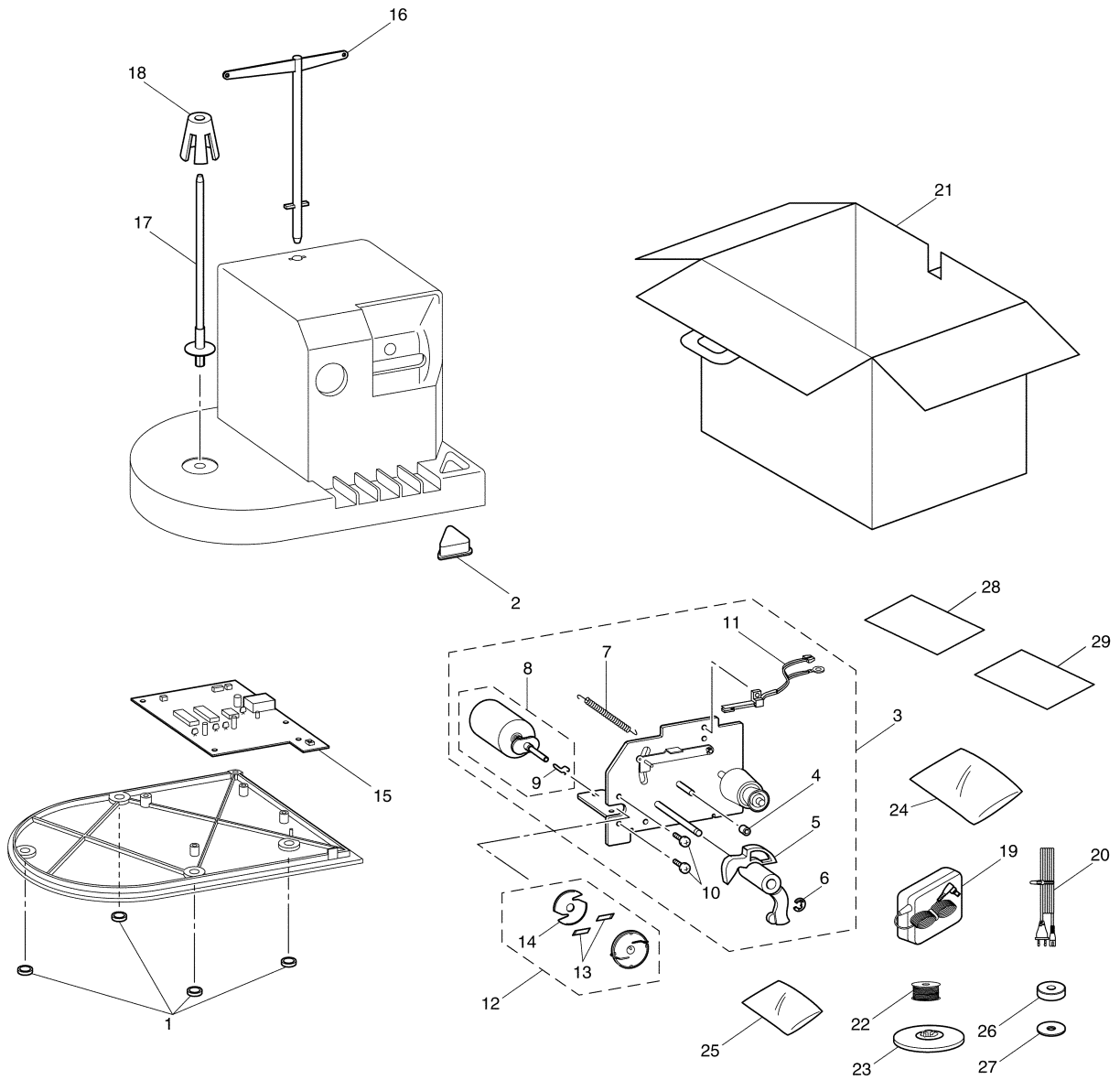
(14) PACKING MATERIALS / PRINTED MATTER



(15) ACCESSORY PARTS

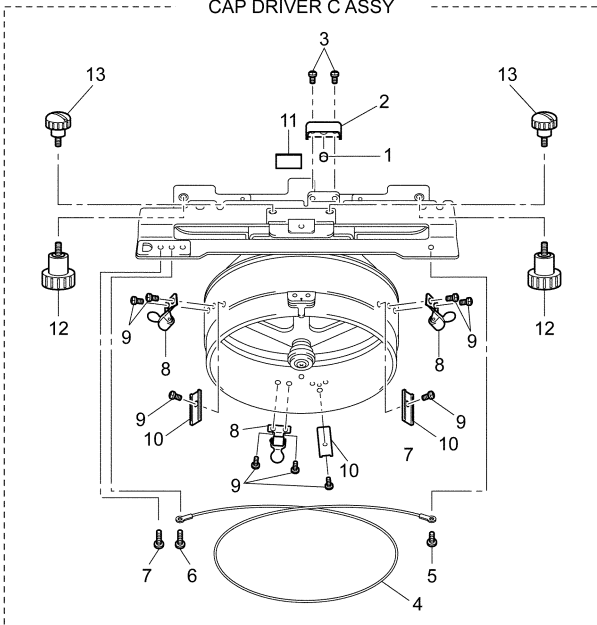
No.	CODE	NAME	REMARKS
BOBBIN WINDER			
(EXCEPT: USA, MEX, UK)			
1	X59853050	RUBBER CUSHION	
2	XC6602051	BOBBIN WINDER SS BUTTON	
3	XC6611051	BOBBIN WINDER HOLDER UNIT	
4	XC6607051	RUBBER	
5	XC6608051	THREAD GUIDE LEVER	
6	048040346	RETAINING RING, E4	
7	XA9545051	SPRING	
8	XC6633051	BOBBIN WINDER MOTOR COMPLETE	
9	XC6628051	BOBBIN WINDER SHAFT SPRING	
10	060300416	SCREW, BIND M3X4	
11	XC7172051	ASSY, BW SWITCH	
12	XA5876051	BOBBIN BASE ASSY	
13	X80321001	NT LOWER THREAD CUTTER	
14	XA5877051	BOBBIN THREAD CUTTER HOLDER	
15	XC6639051	ASSY: BW PCB	
16	XC6644151	THREAD GUIDE ROD ASSY	
17	XC5949051	SPOOL PIN	
18	XA0679050	SPOOL CUSHION	
19	XE1610101	AC ADAPTER SA115B-24U	
	XD0318051	AC ADAPTER SUPPLY ASSY EU (EUROPE)	
20	LN2284001	POWER SUPPLY CORD CSA LF (CAN)	
	XD0111151	POWER SUPPLY CORD: IRAM (ARG)	
	XE3210001	POWER SUPPLY CORD: BRZ (BRA)	
	XE7257001	POWER SUPPLY CORD (OTHER)	
	XC9548051	POWER SUPPLY CORD: SAA-LF (AUS)	
21	XC6630051	BOBBIN WINDER CARTON	
22	100376053	BOBBIN	
23	130012054	SPOOL PRESSER A	
24	XC5720051	BAG 260X440H	
25	X57367051	BAG, 135X150	
26	XC5974151	BOBBIN TENSION GAUGE	
27	XC6631051	BOBBIN TENSION GAUGE 45G	
28	XC7250051	INSERTION FOR THREAD TENSION	
29	XD0256151	INSERTION WEEE (DEU, FRA, ESP, ITA, CHE, RUS, NEU)	

(15) ACCESSORY PARTS

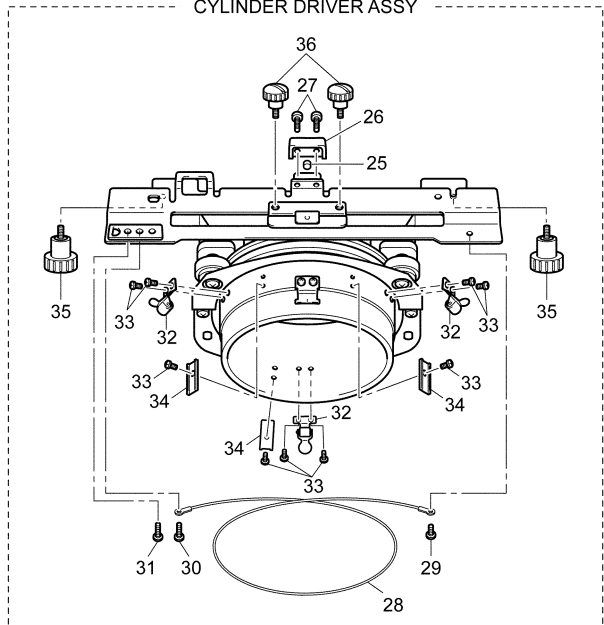


(15) ACCESSORY PARTS

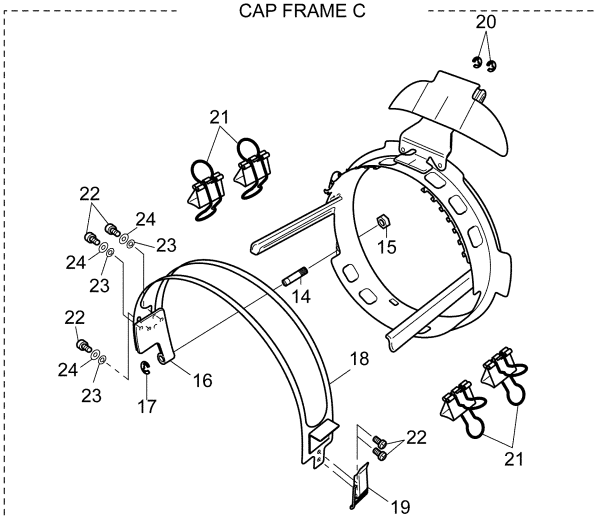
CAP DRIVER C ASSY



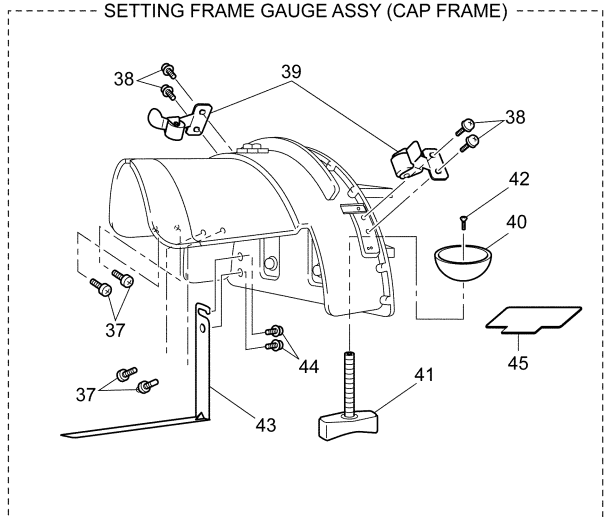
CYLINDER DRIVER ASSY



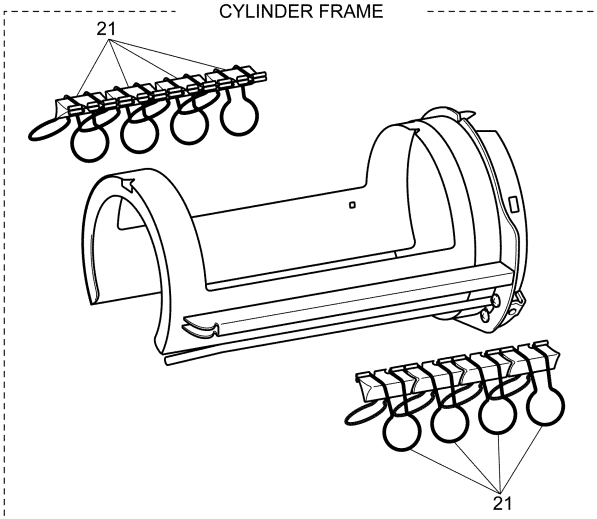
CAP FRAME C



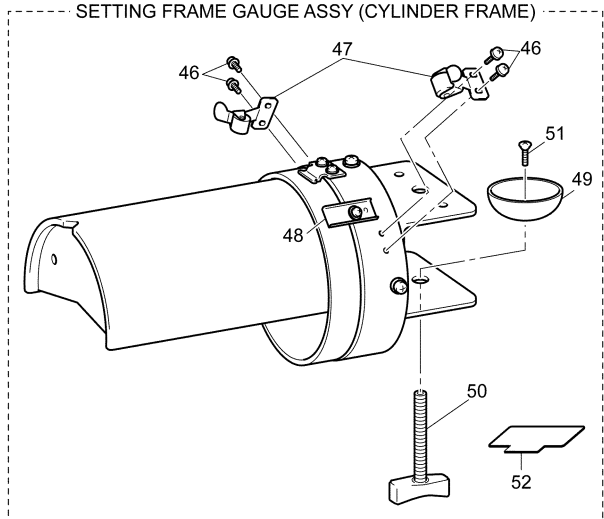
SETTING FRAME GAUGE ASSY (CAP FRAME)



CYLINDER FRAME



SETTING FRAME GAUGE ASSY (CYLINDER FRAME)



brother®

PR650/PR650C
10H09HF884T05

08. 2009.
02. 2010.