



PARTS REFERENCE LIST

MODEL: PR1055X

CONFIDENTIAL

MODEL_LIST

Model	Countries (Added Date)
PR1055X	USA (05/2020)
PR1055X	DEU&FRA&ESP&ITA&CHE&EEU&NEU, UK&IRE (06/2020)
PR1055X	BRA, ARG, CHL, IND, AUS&NZL (08/2020)
PR1055X	TWN, MYS, KOR (10/ 2020)
PR1055X	RUS (11/2020)
PR1055X	SGP, CHN, UAE (12/2020)

Country Code & Abbreviation of Country Name

Country Code	Abbr.	Country Name	Country Code	Abbr.	Country Name	Country Code	Abbr.	Country Name
USA/Canada			Europe			Asia/Oceania		
200	USA	America	401	ZAF	South Africa	601	KOR	Korea
251	CAN	Canada	402	EGY	Egypt	603	TWN	Taiwan
			411	MUS	Mauritius	604	HKG	Hong Kong
301	PER	Peru				605	VNM	Vietnam
302	ARG	Argentina	501	IRE	Ireland	606	IDN	Indonesia
303	CHL	Chile	502	DEU	Germany	607	PHL	Philippines
304	PRY	Paraguay	503	BEL	Belgium	608	MYS	Malaysia
305	URY	Uruguay	505	UK	United Kingdom	609	SGP	Singapore
306	BRA	Brazil	506	FRA	France	615	IND	India
307	VEN	Venezuela	507	NOR	Norway	616	THA	Thailand
308	MEX	Mexico	508	NLD	Netherlands	622	CHN	China
309	COL	Colombia	509	AUT	Austria		MMR	Myanmar
310	PAN	Panama	510	GRC	Greece			
318	GTM	Guatemala	511	SWE	Sweden	701	AUS	Australia
324	GUF	FR. Guiana	515	ESP	Spain	702	NZL	New Zealand
330	BRB	Barabados	516	PRT	Portugal			
399	-	Latin Ameriva 2&5	517	ITA	Italy	902	ISR	Israel
			519	FIN	Finland	903	SYR	Syria
			520	CHE	Switzerland	904	TUR	Turkey
			521	DNK	Denmark	905	JOR	Jordan
			524	MLT	Malta	906	KWT	Kuwait
			550	EEU	East Europe	908	SAU	Saudi Arabia
			556	RUS	Russia	909	IRQ	Iraq
			599	NEU	North Europe	910	IRN	Iran
				CZE	Czech	911	CYP	Cyprus
				POL	Poland	915	UAE	United Arab Emirates
				HUN	Hungary			
				ROU	Romania			
				LVA	Latvia			

Meaning of marks

H : High mortality parts
 R/H : Recommend spare parts & High mortality parts
 R : Recommend spare parts

No.	CODE	NAME	MODEL	SPEC	REMARKS	R/H
1	XA9644050	T BELT				H
2	XA8474051	UPSET 4X12 DB				
3	XA9652150	MOTOR FAN				
4	XG8451001	MAIN MOTOR ASSY				R/H
5	XA9649050	FENDER RUBBER				
6	XC0443051	SPACER 4X7				
7	XE1142001	NEEDLE PLATE				R
8	XC6404051	SCREW,FLAT M4				
9	062400816	SCREW, PAN M4X8				
10	XC5863251	CUTTER BRACKET			1000055773	✓
11	XC5882051	*1 FIXED KNIFE				
12	S32476001	COLLAR, M-KNIFE				

There is additional information at the bottom of the list.

There is additional information on the last page.

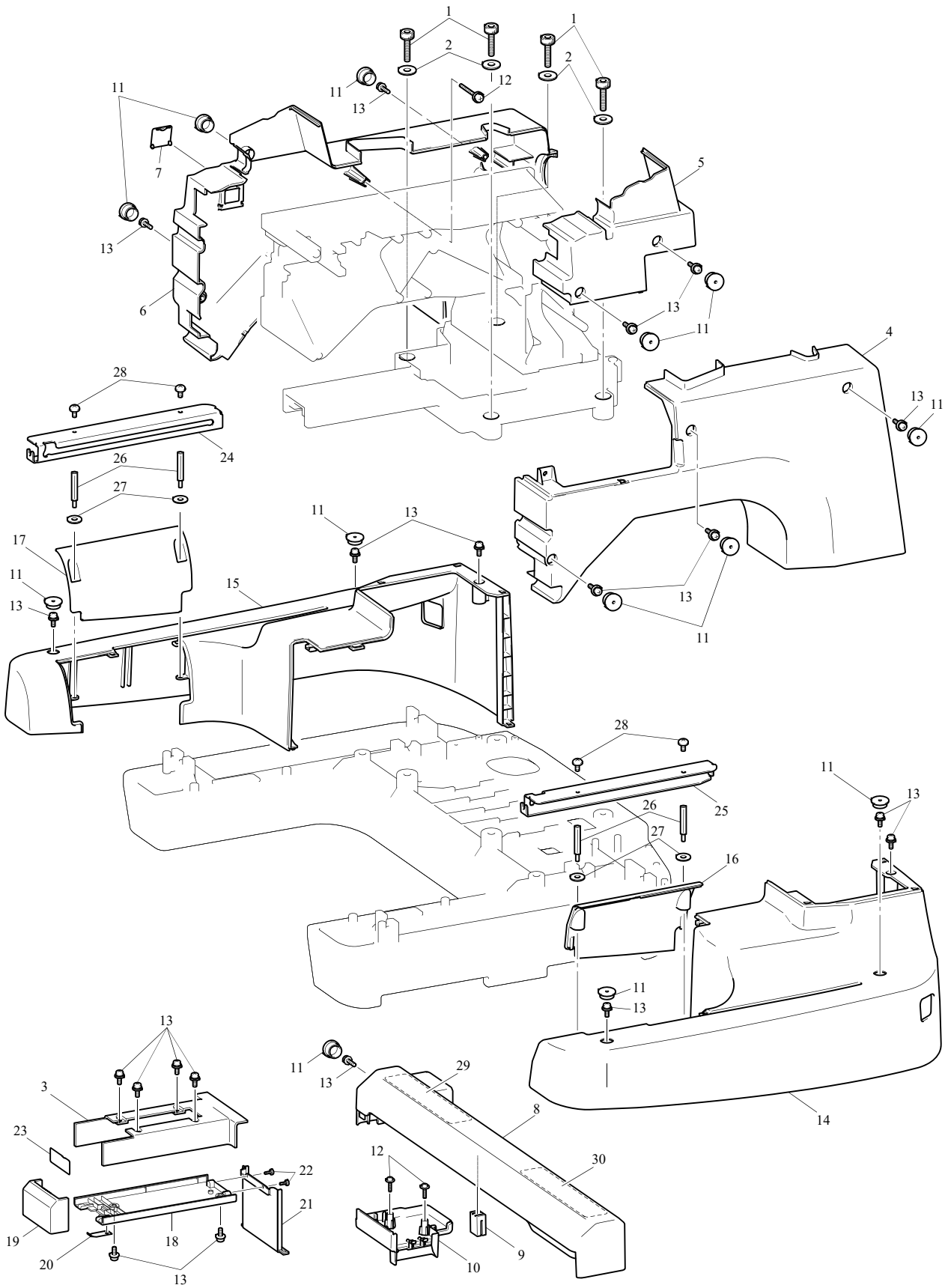
CONTENTS

(1)	MAIN FRAME / COVER	6
(2)	UPPER SHAFT MECHANISM	8
(3)-1	NEEDLE BAR MECHANISM	11
(3)-2	NEEDLE BAR MECHANISM	14
(4)	NEEDLE CHANGER UNIT	16
(5)	NEEDLE THREADING MECHANISM	18
(6)-1	ELECTRIC PARTS	20
(6)-2	ELECTRIC PARTS	22
(7)	MAIN MOTOR UNIT	24
(8)-1	XYCARRIAGE MECHANISM	26
(8)-2	XYCARRIAGE MECHANISM	28
(8)-3	XYCARRIAGE MECHANISM	30
(9)	LOWER SHAFT / THREAD CUTTING MECHANISM	33
(10)	WIPER MECHANISM	36
(11)-1	UPPER THREADING MECHANISM	38
(11)-2	UPPER THREADING MECHANISM	41
(11)-3	UPPER THREADING MECHANISM	43
(12)	ACCESSORY PARTS	45
(13)	PACKAGE / USER MANUAL	49
(14)	SPARE PARTS / ADJUSTING PARTS	52

Note on parts:

We keep performance parts for this product for at least 8 years after this model is discontinued.
Performance parts are the necessary parts to maintain the function of the product.

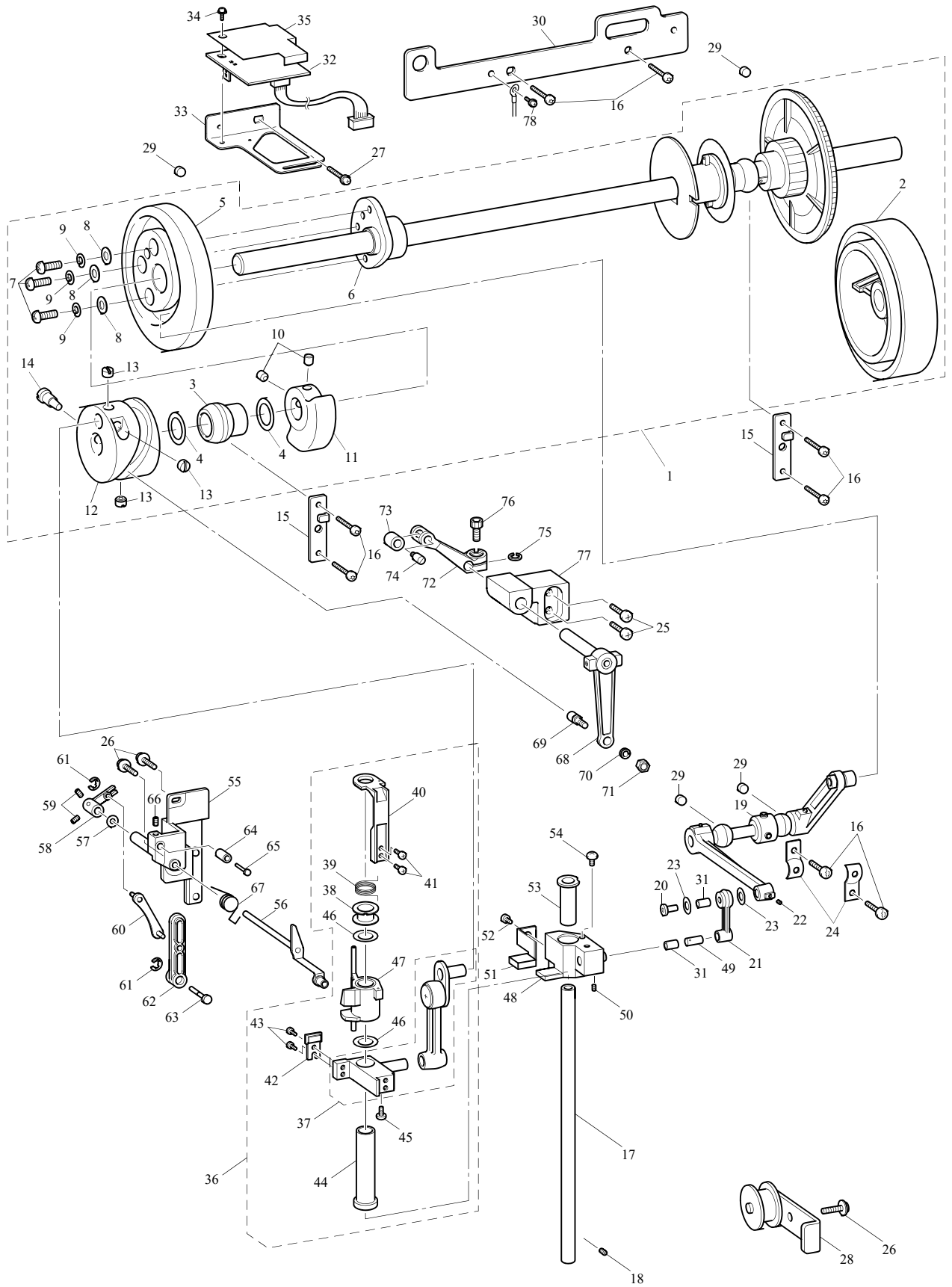
(1)_MAIN FRAME / COVER



(1)_MAIN FRAME / COVER

No.	CODE	NAME	MODEL	SPEC	REMARKS	R/H
1	018083536	BOLT SOCKET M8X35				
2	025080236	WASHER PLAIN M 8				
3	XE1807102	BED COVER TOP				R
4	XE8095201	ARM COVER R				R
5	XE8097001	ARM COVER R LID				R
6	XE8098101	ARM COVER L				R
7	XE8100001	CONNECTOR LID ARM COVER				
8	XE7372001	CARRIAGE COVER				R
9	XE7431001	RUBBER				
10	XE7373001	MOTOR COVER				R
11	XC5594052	SCREW COVER				
12	087411416	TAPTITE CUP B M4X14				
13	XH4900101	SCREW PAN (S/P WASHER) M4X10			2000017597	
14	XC5647252	BASE COVER R ASSY			2000017308	R
15	XC5654252	BASE COVER L ASSY			2000017308	R
16	XC5659152	BASE COVER R LID ASSY				R
17	XC5669152	BASE COVER L LID ASSY				R
18	XC5587052	BED COVER BOTTOM				R
19	XF7357001	HOOK COVER ASSY		USA		R
19	XE1806102	ROTARY HOOK COVER		OTHER		R
20	X53638151	SPRING				
21	XC6066052	BED COVER LID				R
22	X59629051	TAPTITE,BIND B M3X10				
23	XC6552051	OILING CAUTION LABEL				
24	XE7200001	TABLE PLATE L ASSY				
25	XE7201001	TABLE PLATE R ASSY				
26	XE8036001	STUD				
27	025040236	WASHER PLAIN M 4				
28	008400603	SCREW TRUSS M4X6				
29	XE8643101	LABEL INJURY 32X161				
30	XE8328201	LABEL INJURY 32X161				

(2)_UPPER SHAFT MECHANISM



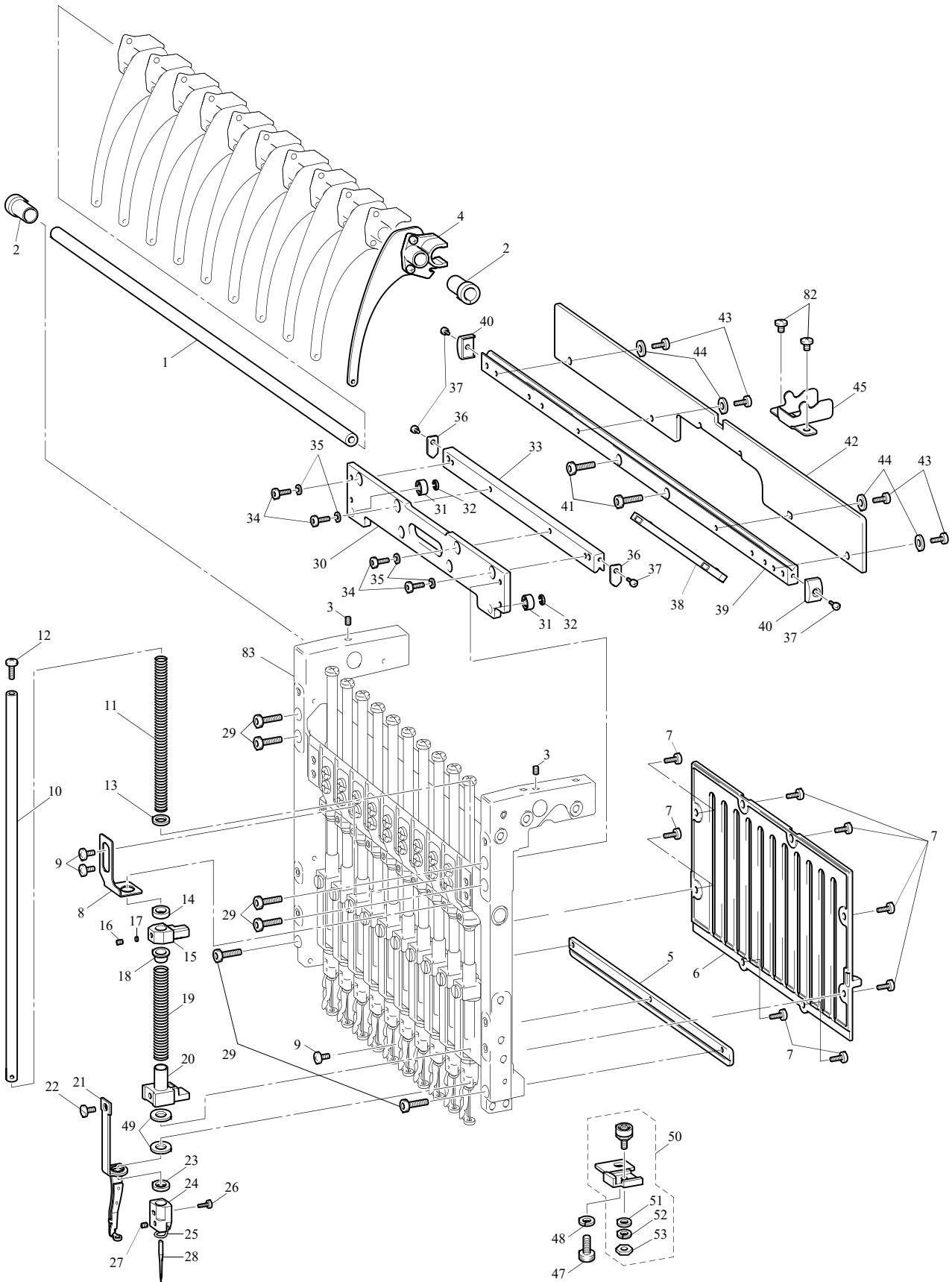
(2)_UPPER SHAFT MECHANISM

No.	CODE	NAME	MODEL	SPEC	REMARKS	R/H
1	XE3702302	UPPER SHAFT SUPPLY ASSY				
2	XC5597152	PULLEY				
3	XC5603051	UPPER SHAFT METAL				
4	X55548050	WASHER,TRUST				
5	XC5605251	PRESSER FOOT CAM				
6	XC5606051	PRESSER FOOT CAM COLLAR				
7	062401213	SCREW PAN M4X12				
8	025040133	WASHER, PLAIN S 4				
9	028040343	WASHER SPRING 3-4				
10	014500632	SET SCREW SOCKET (CP) M5X6				
11	XC5607051	BALANCER				
12	XC5609051	THREAD TAKE-UP CAM				
13	XE1211001	SET SCREW (CP) SM6.35				
14	XC5610051	SCREW				
15	XC6362051	METAL PRESSER				
16	X57908052	TAPTITE, BIND S M4X10				
17	XC5623051	BASE NEEDLE BAR				
18	014500632	SET SCREW, SOCKET (CP) M5X6				
19	XC5624351	DRIVING SHAFT ASSY, P-FOOT				
20	XC5632251	P-FOOT LEVER SHAFT				
21	XC5633251	CONNECTING ROD, P-FOOT				
22	014400432	SET SCREW, SOCKET (CP) M4X4				
23	X50546050	WASHER, THRUST				
24	132421051	BUSHING PRESSER				
25	060501216	SCREW, BIND M5X12				
26	XH4900101	SCREW PAN (S/P WASHER) M4X10			2000017597	
27	0A4401006	SCREW PAN (S/P WASHER) M4X10				
28	XC6784151	TENSION PULLEY ASSY				
29	XC3183051	FELT				
30	XE7848101	LED LEAD WIRE HOLDER				
31	XZ0207051	LINK FELT, 3.3M				
32	XG5493001	MAIN SHAFT SENSOR PCB ASSY				
33	XC5666051	SENSOR HOLDER				
34	XC7564051	SCREW, PAN (S/P WASHER) M3X6				
35	XH4690001	INSULATION SHEET				
36	XZ0319251	JUMP BRACKET ASSY			2000018448	
37	XC7135051	CRANK ROD SET				H
38	XC5616051	J SPRING COLLAR				
39	XC5617051	J SPRING				
40	XC5614051	J BRACKET				
41	062300416	SCREW, PAN M3X4				
42	XC5622051	J CUSHION BASE				
43	062260316	SCREW, PAN M2.6X3				
44	XC5621151	J VERTICAL BUSH			2000018448	

(2)_UPPER SHAFT MECHANISM

No.	CODE	NAME	MODEL	SPEC	REMARKS	R/H
45	008260306	SCREW, TRUSS M2.6X3			2000017597	
46	131976050	WASHER, THRUST				
47	XE7550001	JUMP BRACKET				
48	XC5635151	P-FOOT VERTICAL BASE				
49	XC5636151	P-FOOT VERTICAL PIN				
50	014400432	SET SCREW, SOCKET (CP) M4X4				
51	XC5638251	PRESSER FOOT CUSHION BASE				H
52	060300516	SCREW, BIND M3X5				
53	XC5637151	P-FOOT VERTICAL BUSH			2000018448	
54	008260306	SCREW, TRUSS M2.6X3			2000017597	
55	XC5648051	J BASE ASSY				
56	XC5651051	J DRIVING LEVER ASSY				
57	X53027050	WASHER				
58	XC5656051	J DIFFERENTIAL LEVER				
59	014300432	SET SCREW, SOCKET (CP) M3X4				
60	XC5657051	J LINK ASSY				
61	048040343	RETAINING RING, E4				
62	XC5661051	J SLIDE LEVER				
63	XC5662051	J SLIDE LEVER SHAFT				
64	XC5663051	J CUSHION				
65	XC5664051	J CUSHION PIN				
66	012300432	SET SCREW, SOCKET (FT) M3X4				
67	XC5665051	J LEVER SPRING				
68	XC5639151	DRIVING LEVER ASSY T/TAKE-UP			2000019250	
69	XC5627051	ROLLER SHAFT ASSY				
70	028050246	WASHER, SPRING 2-5				
71	021500103	NUT, 1 M5				
72	XC5645051	DIFFERENTIAL LEVER, T/TAKE-UP				
73	XH4616001	ROLLER				
74	XH4482001	THREAD TAKE-UP ROLLER PIN				
75	148782001	SPACER				
76	018501232	BOLT, SOCKET M5X12				
77	XC5646051	BEARING, T/TAKE-UP				
78	XC7564051	SCREW PAN(S/P WASHER)M3X6				

(3)-1_NEEDLE BAR MECHANISM



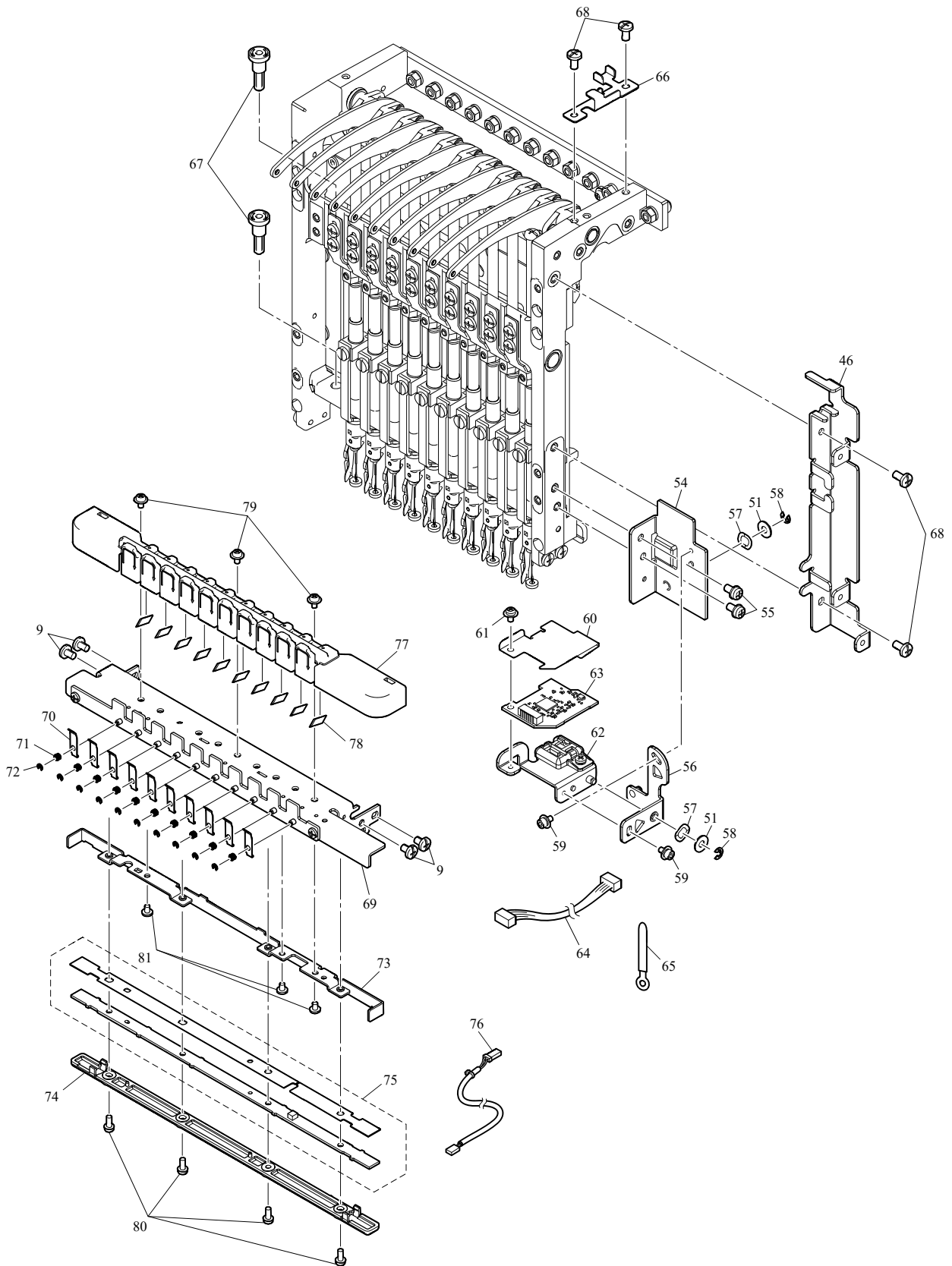
(3)-1_NEEDLE BAR MECHANISM

No.	CODE	NAME	MODEL	SPEC	REMARKS	R/H
1	XE7851001	THREAD TAKE-UP SHAFT				
2	XC5672051	THREAD TAKE-UP BUSH				
3	012400432	SET SCREW, SOCKET (FT) M4X4				
4	XC5673051	THREAD TAKE-UP LEVER ASSY				
5	XE7852101	CASE GUIDE, D				
6	XE7853001	GUIDE RAIL, NEEDLE BAR				
7	060400816	SCREW BIND M4X8				
8	XC5678151	TOP DEAD CENTER PLATE				
9	060400616	SCREW, BIND M4X6				
10	XC5679051	NEEDLE BAR				
11	XC5680051	SPRING, NEEDLE BAR				
12	062500816	SCREW, PAN M5X8				
13	118735002	WASHER				
14	S36153100	RUBBER, CUSHION				H
15	XE1172001	NEEDLE BAR CLAMP				
16	014680432	SET SCREW, SOCKET SM4.37-40X4				
17	100507050	WASHER				
18	XC5682051	PRESSER FOOT SPRING COLLAR				
19	XC5683051	PRESSER FOOT SPRING				
20	XC5684051	PRESSER FOOT CLAMP				
21	XC5685151	PRESSER FOOT ASSY				
22	XC5688051	SCREW, P/F				
23	XC5689051	PRESSER FOOT CUSHION				H
24	XC5690051	THREAD GUIDE, NEEDLE BAR				
25	XC7020051	THREAD GUIDE				
26	XC7021052	SCREW SM 2.38				
27	016300436	SET SCREW, SOCKET (CN) M3X4				
28	XC5691011	NEEDLE HAX130 EBBR				
29	018401632	BOLT, SOCKET M4X16				
30	XE7855001	CASE BRACKET ASSY				
31	070694809	BALL BEARING RADIAL 694ZZ				
32	048030343	RETAINING RING, E3				
33	XE7857001	CASE GUIDE, US				
34	018401233	BOLT SOCKET M4X12			2000019250	
35	XC7406051	WASHER				
36	XC5697051	SLIDE ROLLER STOPPER				
37	062300416	SCREW, PAN M3X4				
38	XE7858001	SLIDE ROLLER				
39	XE7859001	CASE GUIDE, UL				
40	XC5700051	CASE GUIDE COVER, UL				
41	018401232	BOLT, SOCKET M4X12				
42	XE7860001	THREAD TAKE-UP GUIDE				
43	062400816	SCREW, PAN M4X8				
44	025040236	WASHER, PLAIN M 4				

(3)-1_NEEDLE BAR MECHANISM

No.	CODE	NAME	MODEL	SPEC	REMARKS	R/H
45	XE7861001	THREAD LEVER GUIDE PLATE				
47	018501632	BOLT SOCKET M5X16				
48	028050246	WASHER SPRING 2-5				
49	XC7249052	NEEDLE BAR FELT S				H
50	XZ0317151	CASE POSITIONING PLATE ASSY				
51	025040236	WASHER PLAIN M 4				
52	028040246	WASHER SPRING 2-4				
53	021400206	NUT 2 M4				
82	060400516	SCREW BIND M4X5				
83	XE7910101	NEEDLE BAR CASE ASSY				

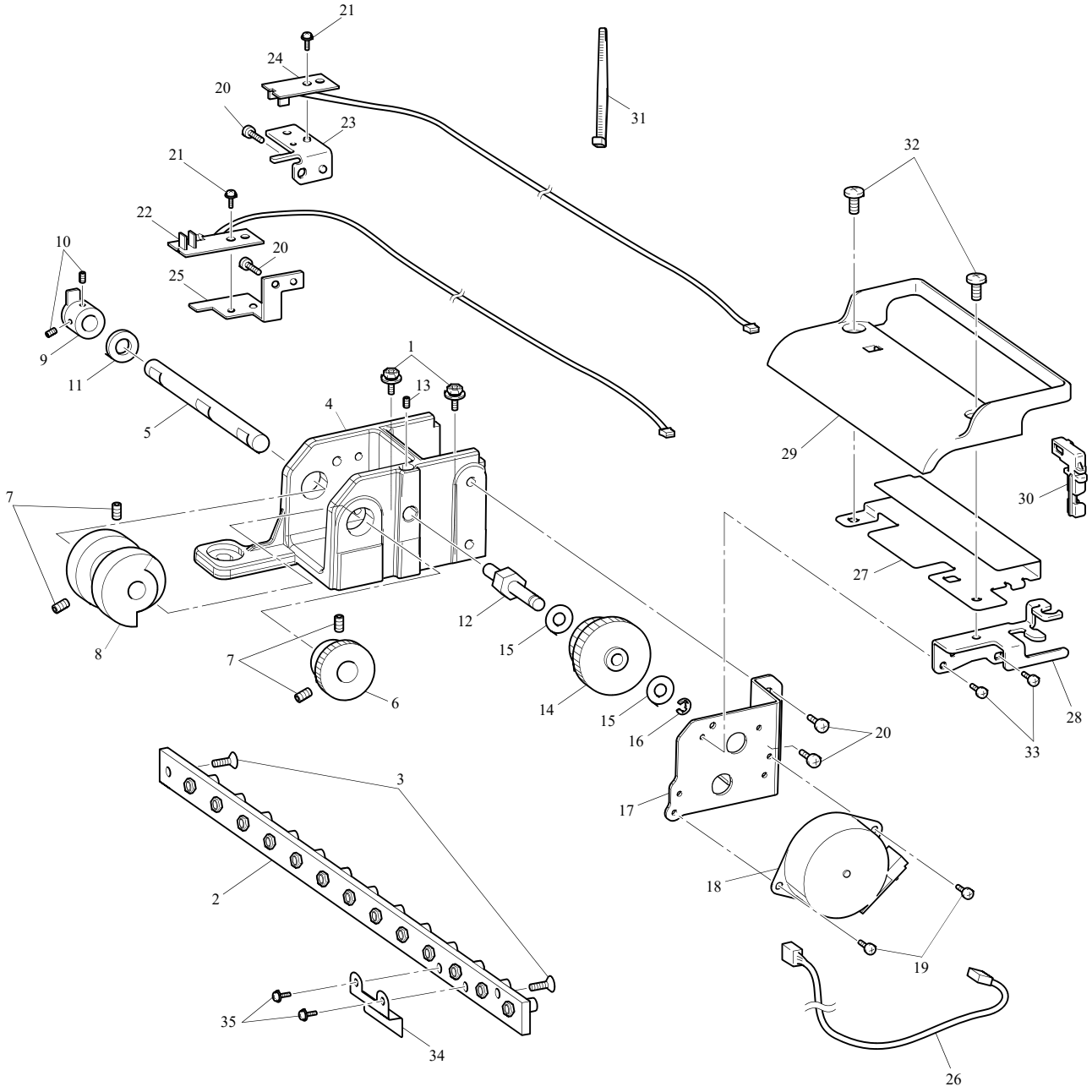
(3)-2_NEEDLE BAR MECHANISM



(3)-2_NEEDLE BAR MECHANISM

No.	CODE	NAME	MODEL	SPEC	REMARKS	R/H
9	060400616	SCREW, BIND M4X6				
46	XH4907001	THREAD LEVER COVER HOLDER				
51	025040236	WASHER PLAIN M 4				
54	XH4695001	CAMERA HOLDER BASE PLATE				
55	0A4401006	SCREW PAN (S/P WASHER) M4X10				
56	XH4693001	CAMERA HOLDER LR ASSY				
57	X59915021	SPRING WASHER				
58	048030343	RETAINING RING E3				
59	XE7911001	BOLT SOCKET(S/P WASHER)M3X6				
60	XH4906001	CAMERA INSULATION SHEET				
61	0A5300606	SCREW PAN (S/P WASHER) M3X6				
62	D01NTH001	CAMERA MODULE SUPPLY ASSY				
63	D01ESL001	CAMERA RELAY PCB ASSY				
64	D01KU8001	LEAD WIRE ASSY:CAMERA CORE				
65	XG0870001	COATING CLIP				
66	XE7866001	N.BAR CASE CABLE HOLDER T				
67	XE7899001	NEEDLE BAR CAP				
68	060400816	SCREW BIND M4X8				
69	XG5339001	THREAD HOLDER BASE ASSY				
70	XE8079001	NEEDLE THREAD PRESSER PLATE				
71	XC5962051	SPRING				
72	048015343	RETAINING RING E1.5				
73	XG5329001	LED HOLDER				
74	XG5330001	LED COVER				
75	D027N4001	LED1 PCB SUPPLY ASSY			2000018664	
76	XG5098001	LEAD WIRE ASSY LED FRONT				
77	XG5333001	CUTTER COVER				
78	XG2930001	CUTTER BLADE ASSY			2000016568	
79	0A5300606	SCREW PAN (S/P WASHER) M3X6				
80	0A4300806	SCREW PAN (S/P WASHER) M3X8				
81	060300416	SCREW BIND M3X4				

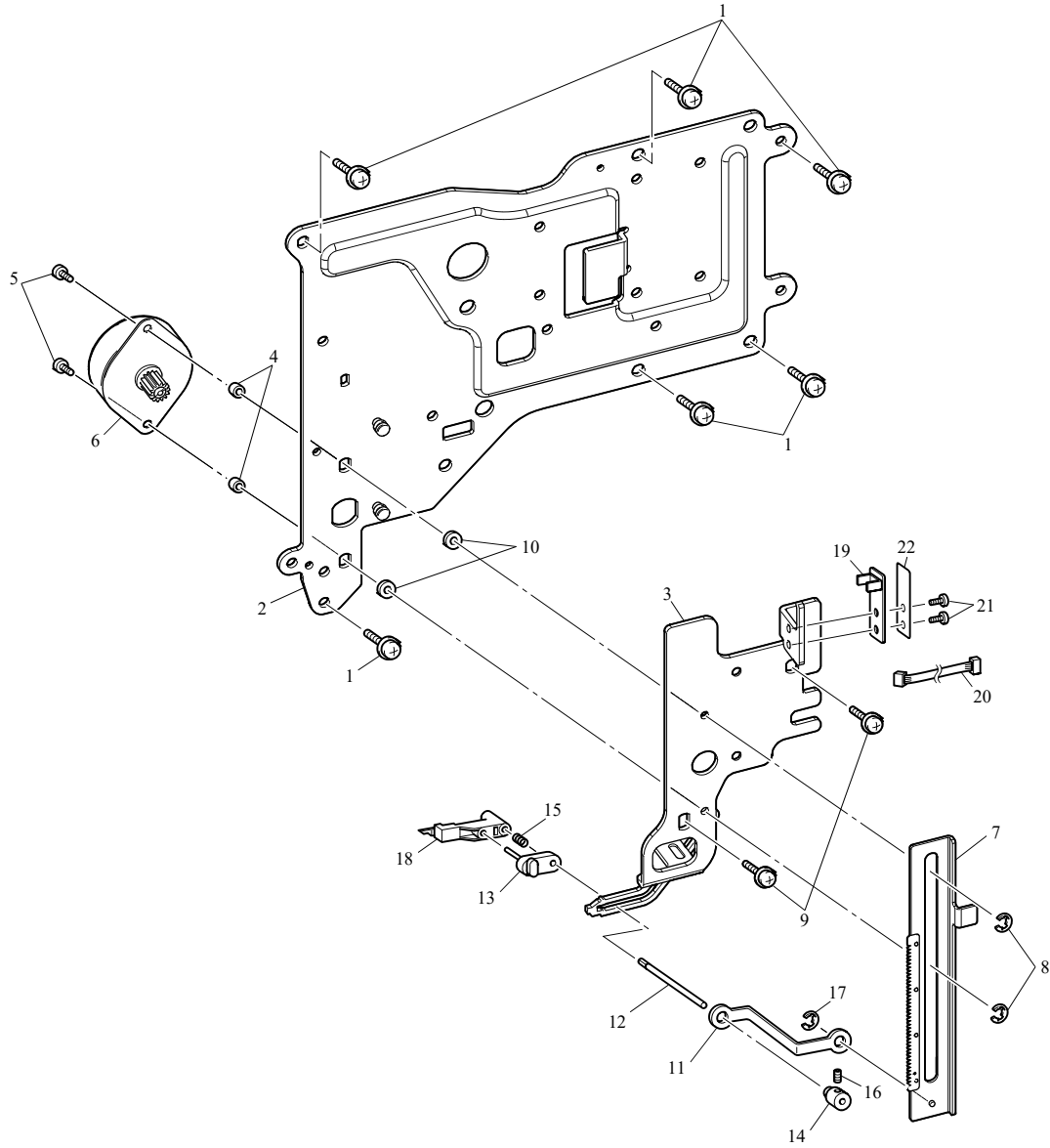
(4)_NEEDLE CHANGER UNIT



(4)_NEEDLE CHANGER UNIT

No.	CODE	NAME	MODEL	SPEC	REMARKS	R/H
1	XC7323151	BOLT (S/P WASHER) M5X16				
2	XE7867001	CHANGE ROLLER BASE ASSY				
3	004401003	SCREW, FLAT M4X10				
4	XC5705051	CHANGE BOX ASSY				
5	XC5708051	CHANGE CAM SHAFT				
6	XC5709051	CHANGE GEAR				
7	014500632	SET SCREW, SOCKET (CP) M5X6				
8	XC5710051	CHANGE CAM				
9	XC5711051	C STOP POSITION DOG				
10	014400432	SET SCREW, SOCKET (CP) M4X4				
11	X51383050	WASHER, THRUST				
12	XC5712051	DIFFERENTIAL GEAR SHAFT				
13	012400432	SET SCREW, SOCKET (FT) M4X4				
14	XC5713051	C DIFFERENTIAL GEAR				
15	025060235	WASHER, PLAIN M 6				
16	048040343	RETAINING RING, E4				
17	XE7871101	CHANGE MOTOR BASE 10				
18	XG5743101	PULSE MOTOR:M42SP-6N A440				
19	062300416	SCREW, PAN M3X4				
20	060400816	SCREW, BIND M4X8				
21	XC7564051	SCREW, PAN (S/P WASHER) M3X6				
22	XG4172001	INDEX SENSOR PCB ASSY				
23	XE7870101	C SENSOR BRACKET 10				
24	XG4171001	COLOR CHANGE SENSOR PCB ASSY				
25	XC5716051	C SENSOR BRACKET LOWER				
26	D01KU5001	LEAD WIRE ASSY:INDEX PM CORE				
27	XE7895001	CABLE DIVIDE PLATE				
28	XE7896001	CENTER COVER HOLDER				
29	XE7873001	CHANGE BOX CENTER COVER 10				
30	XE7909101	LED CABLE CLAMP				
31	X53169050	BAND				
32	060400816	SCREW BIND M4X8				
33	060300416	SCREW BIND M3X4				
34	XE7898001	C NEEDLE POSITION DOG				
35	0A5300606	SCREW PAN (S/P WASHER) M3X6				

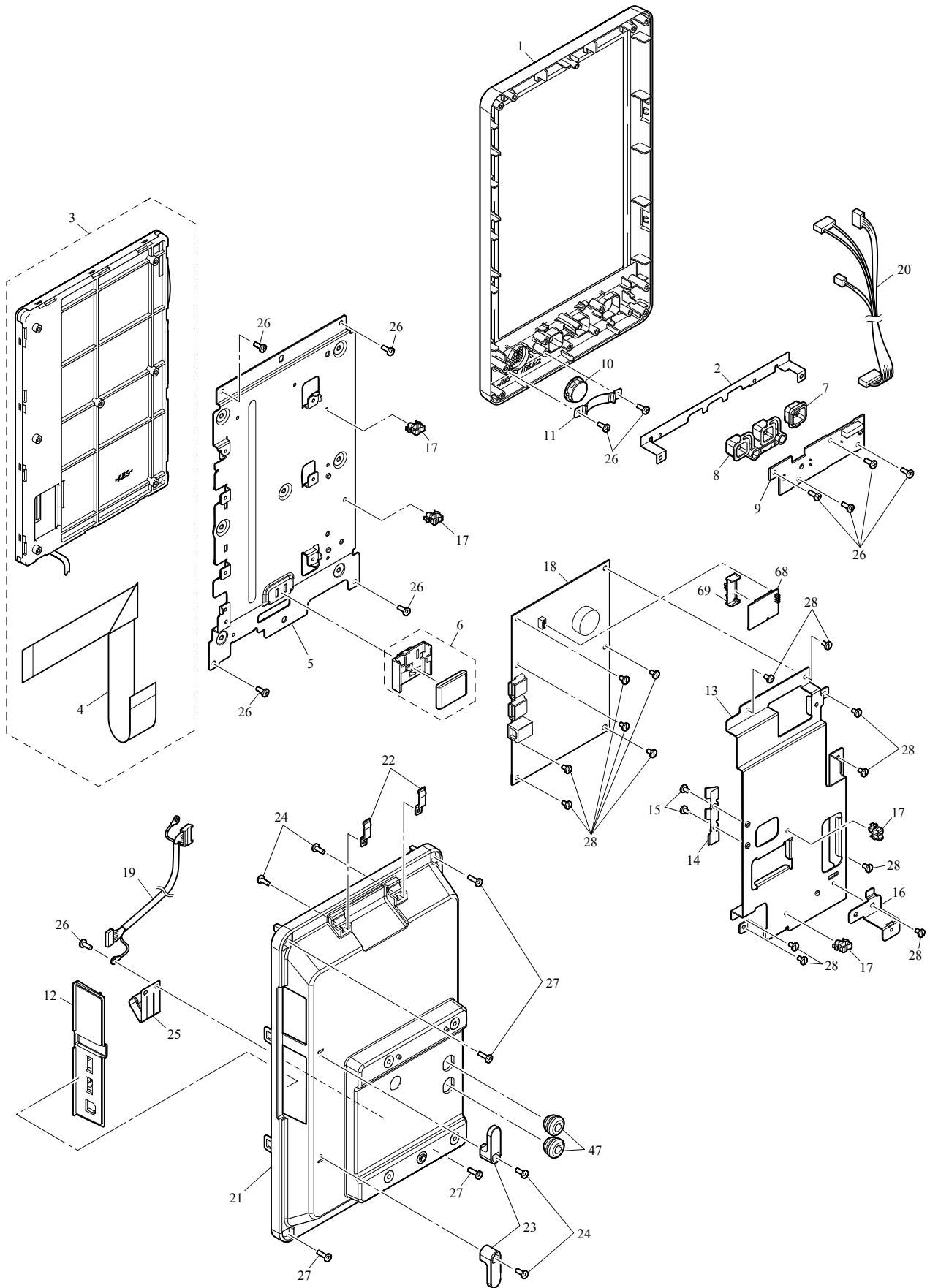
(5)_NEEDLE THREADING MECHANISM



(5)_NEEDLE THREADING MECHANISM

No.	CODE	NAME	MODEL	SPEC	REMARKS	R/H
1	X57908052	TAPTITE, BIND S M4X10				
2	XC5723351	THREAD GUIDE BASE				
3	XG3146001	BASE PLATE ASSY				
4	XC5727151	SPACER				
5	062300616	SCREW, PAN M3X6				
6	XG5376101	PULSE MOTOR:M35SP-9NK A439				
7	XC6507051	RACK ASSY				
8	048040343	RETAINING RING, E4				
9	0A5400806	SCREW, PAN (S/P WASHER) M4X8				
10	025040136	WASHER, PLAIN S 4				
11	XC5730051	HOOK HOLDER LINK				
12	XC5739151	HOOK HOLDER AXIS B				
13	XC6510051	SET COLLAR ASSY				
14	XC6076151	BUSH				
15	XC7375051	HOOK HOLDER SPRING				H
16	014300332	SET SCREW, SOCKET (CP) M3X3				
17	048030343	RETAINING RING, E3				
18	XC5732151	HOOK HOLDER ASSY				R/H
19	XG4169001	NEEDLE TH SENSOR PCB ASSY				
20	XG5367001	LEAD WIRE ASSY THPM				
21	XC7564051	SCREW, PAN (S/P WASHER) M3X6				
22	XE7791101	INSULATION SHEET				

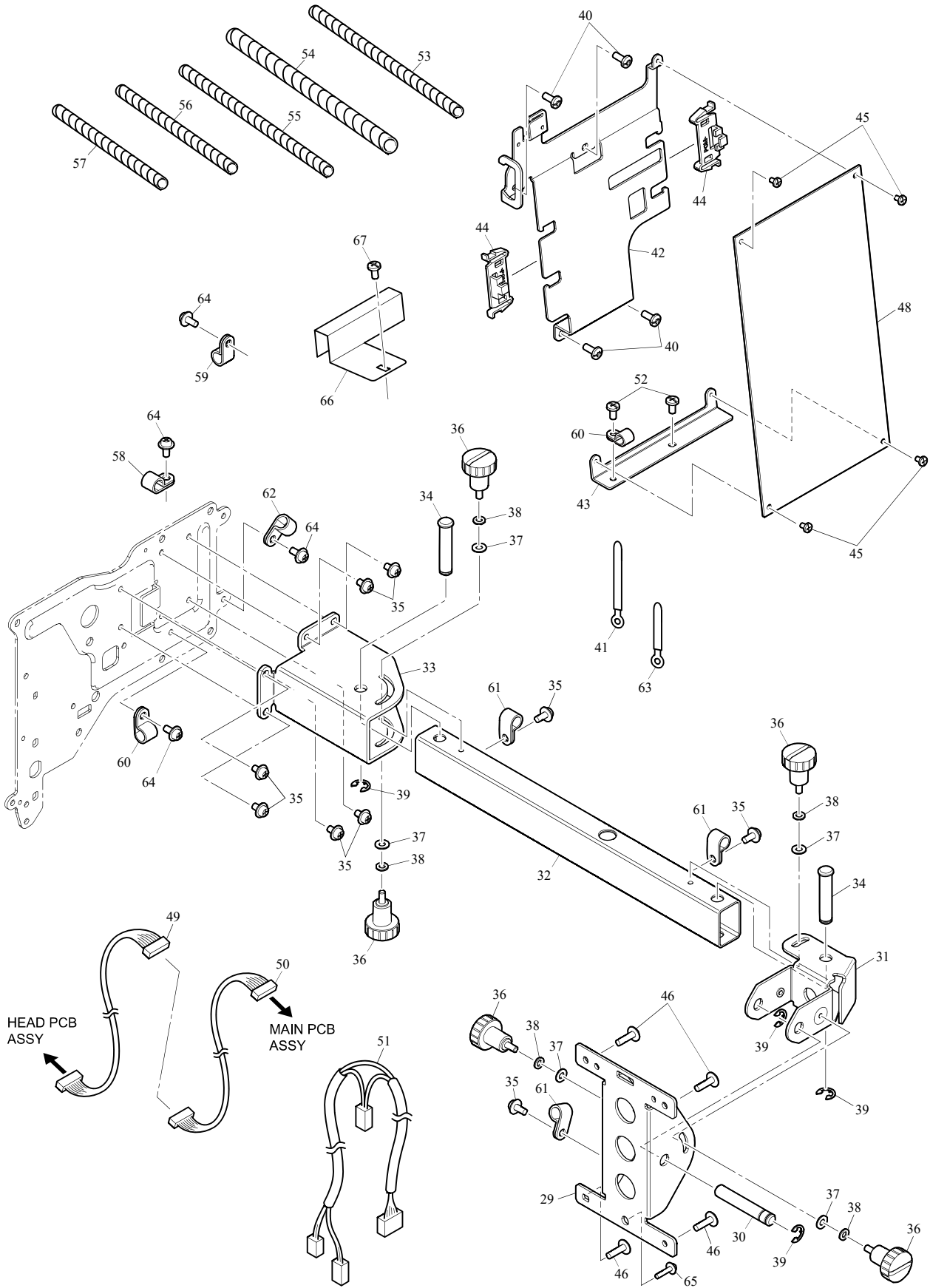
(6)-1_ELECTRIC PARTS



(6)-1_ELECTRIC PARTS

No.	CODE	NAME	MODEL	SPEC	REMARKS	R/H
1	XH5130001	PANEL FRONT COVER ASSY				R
2	XG5280001	PANEL LCD F HOLDER ASSY				
3	XG1204001	LCD SUPPLY ASSY				R
4	XG1403001	FFC SUPPLY ASSY				
5	XG5263001	PANEL LCD HOLDER				
6	XH4138001	FERRITE CORE SUPPLY ASSY				
7	XG5268001	SS BUTTON				
8	XH5132001	OPERATION BUTTON				
9	XG5188001	SS PCB ASSY				
10	XG1729001	SPEAKER SUB ASSY				
11	XF9172001	SPEAKER BRACKET				
12	XH4619001	USB COVER				
13	XG5264101	PANEL PCB HOLDER				
14	XE5267001	GROUND PLATE USB				
15	060300416	SCREW BIND M3X4				
16	XG5274001	PANEL SUB HOLDER				
17	XG5583001	CORD CRAMP:RMS-1V0				
18	D01NUU001	PANEL PCB SUPPLY ASSY:B				R/H
19	XG5193101	LEAD WIRE ASSY PANEL-MAIN				
20	XG5190001	LEAD WIRE ASSY SS				
21	XG5265001	PANEL REAR COVER				R
22	XE6246003	PEN HOLDER				
23	XD0761053	USB CORD HOLDER				
24	136681051	TAPTITE, BIND B M3X8				
25	XG1741001	GROUND SPRING				
26	136681051	TAPTITE, BIND B M3X8				
27	X59629051	TAPTITE, BIND B M3X10				
28	060300516	SCREW BIND M3X5				
47	XC7233051	CORD BUSHING 5P-4				
68	LD1969001	PCB T77H505.00 ASSY 04				
69	XH1263001	WILAN HOLDER				

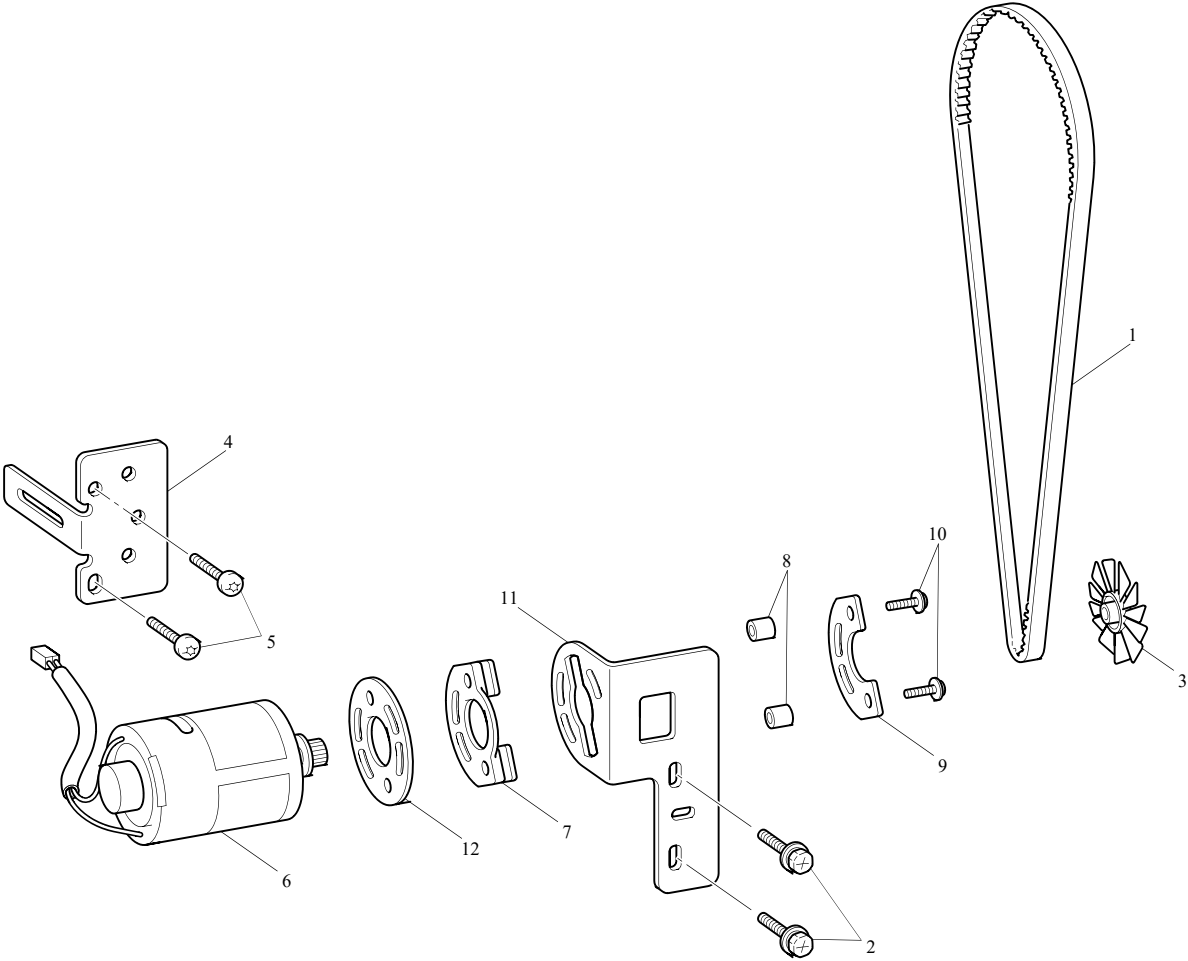
(6)-2_ELECTRIC PARTS



(6)-2_ELECTRIC PARTS

No.	CODE	NAME	MODEL	SPEC	REMARKS	R/H
29	XE6259001	PANEL HOLDER				
30	XC5747051	OPERATION PANEL HOLDER SHAFT				
31	XD0664051	OPERATION PANEL LEVER A				
32	XE8101001	OPERATION PANEL LEVER B				
33	XD0666251	OPERATION PANEL LEVER C				
34	XC5751051	OPERATION PANEL LEVER SHAFT				
35	0A5400806	SCREW, PAN (S/P WASHER) M4X8				
36	XC5553051	THUMB BOLT M4 L				
37	026040236	WASHER, PLAIN M 4				
38	028040246	WASHER, SPRING 2-4				
39	048060343	RETAINING RING, E6				
40	X57908052	TAPTITE, BIND S M4X10				
41	XG0870001	COATING CLIP				
42	XG6785201	BOARD HOLDER U ASSY			2000018448	
43	XE8103001	BOARD HOLDER D				
44	XE8104001	PCB SUPPORTER				
45	XC7564051	SCREW, PAN (S/P WASHER) M3X6				
46	087411416	TAPTITE, CUP B M4X14				
48	D01NUT001	MAIN PCB SUPPLY ASSY				R/H
49	XG5213001	LEAD WIRE ASSY HEAD-MAIN 1				
50	XG5214001	LEAD WIRE ASSY HEAD-MAIN 2				
51	XG5097001	LEAD WIRE ASSY LED MAIN				
52	060400816	SCREW BIND M4X8				
53	XC5069051	SPIRAL TUBE A				
54	XC5073051	SPIRAL TUBE B				
55	XC5078051	SPIRAL TUBE C				
56	XC6407051	SPIRAL TUBE D				
57	XG6821001	SPIRAL TUBE E				
58	XZ0201051	CORD CLAMP: WL-5/8		for 53		
59	XA8837051	CORD CLAMP		for 54,57		
60	XC5243052	CORD CLAMP: NK-5N		for 55,56		
61	XA8837052	CORD CLAMP				
62	XG7843001	CORD CLAMP:GCL-3/16S				
63	137947001	CLIP				
64	XH4900101	SCREW, PAN (S/P WASHER) M4X10			2000017597	
65	0A5301206	SCREW PAN (S/P WASHER) M3X12				
66	XC5157051	PROTECT SHEET				
67	060400516	SCREW, BIND M4X5				

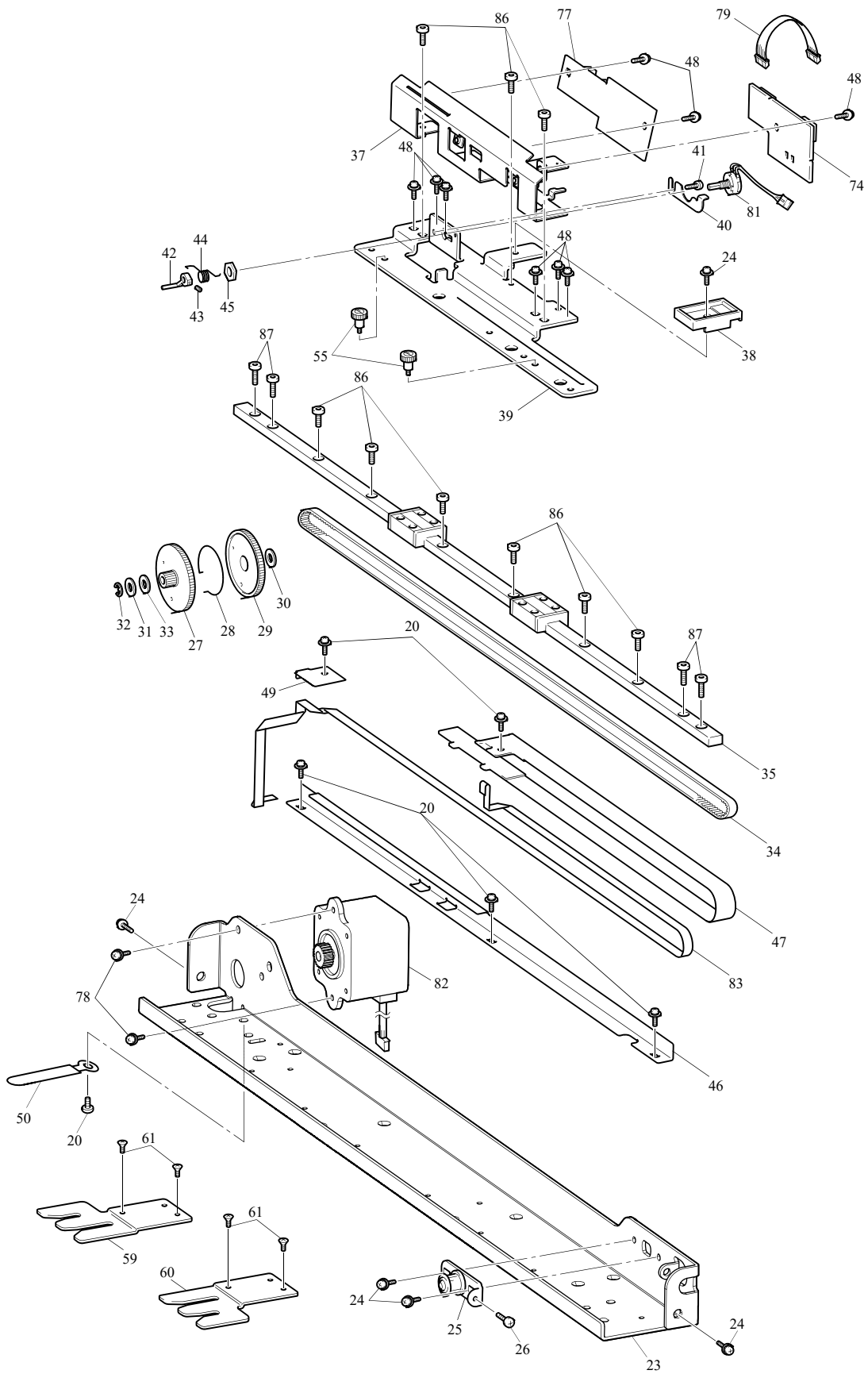
(7)_MAIN MOTOR UNIT



(7)_MAIN MOTOR UNIT

No.	CODE	NAME	MODEL	SPEC	REMARKS	R/H
1	XA9644050	T BELT				H
2	XA8474051	UPSET 4X12 DB				
3	XA9652150	MOTOR FAN				
4	XC5764051	MOTOR HOLDER BASE				
5	X57908052	TAPTITE, BIND S M4X10				
6	D01KUS001	MAIN MOTOR ASSY				R/H
7	XA9649050	FENDER RUBBER				
8	XC0443051	SPACER 4X7				
9	XA9650051	MOTOR SPACER PRESSER				
10	052401605	SCREW, PAN (S/P WASHER) M4X16				
11	XC5762051	MOTOR HOLDER				
12	XC5763051	MOTOR HOLDER SPACER				

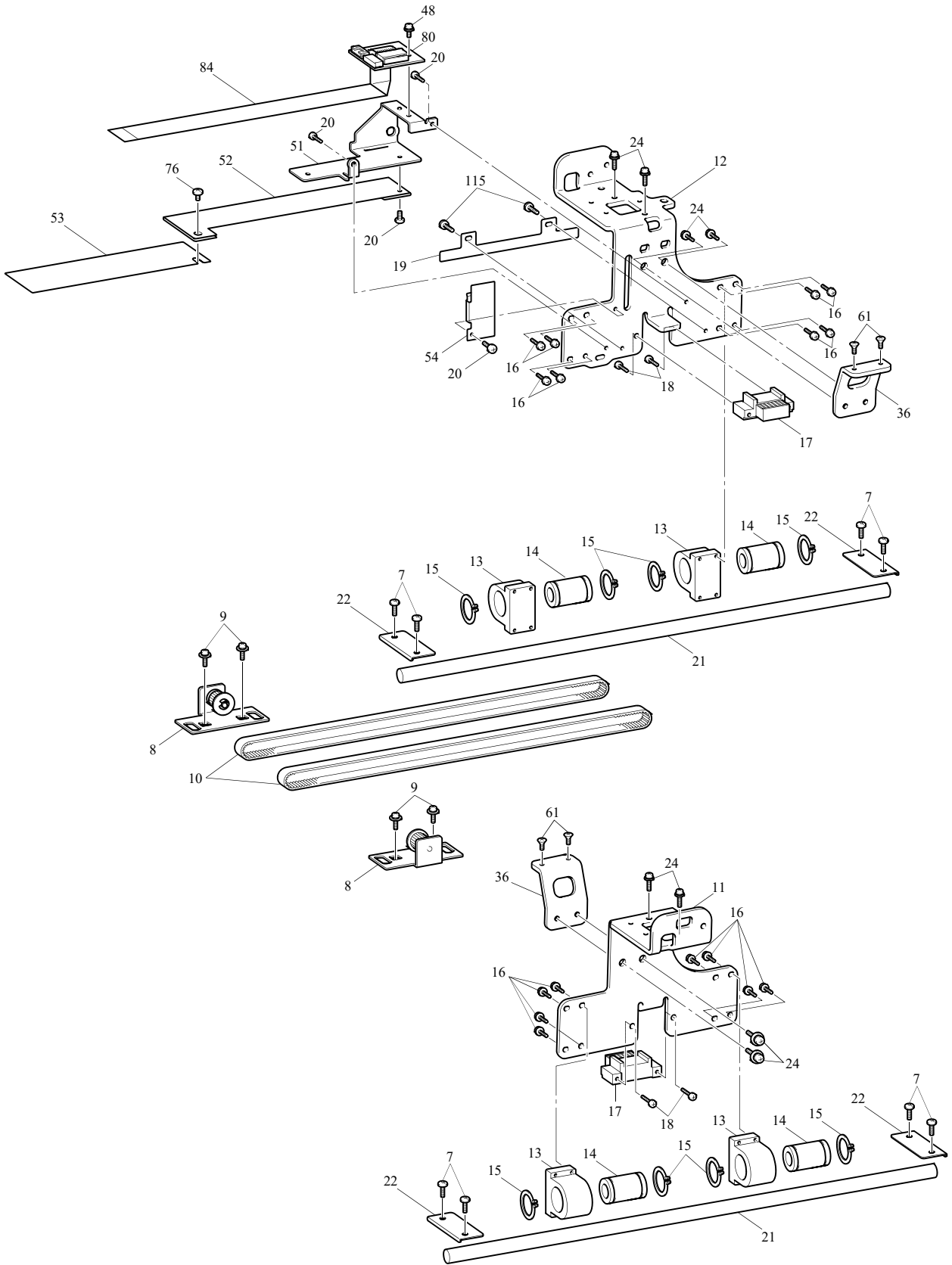
(8)-1_XYCARRIAGE MECHANISM



(8)-1_XYCARRIAGE MECHANISM

No.	CODE	NAME	MODEL	SPEC	REMARKS	R/H
20	060300416	SCREW, BIND M3X4				
23	XG5359001	FEED FRAME 360 ASSY				
24	0A5400806	SCREW, PAN (S/P WASHER) M4X8				
25	XE7129001	TENSION PULLEY ASSY				
26	052301606	SCREW, PAN (S/P WASHER) M3X16				
27	XC3227001	Y DRIVING GEAR PULLEY A				
28	XC3194051	SPRING FOR GEAR				
29	XC3192001	Y DRIVING GEAR PULLEY B				
30	X50546050	WASHER, THRUST				
31	XE0863051	WASHER, M6				
32	048040343	RETAINING RING, E4				
33	X53838051	WASHER				
34	XE7154001	T BELT B60S910				
35	XE7153001	LM GUIDE SRS9M				
37	XE7357001	X PCB PLATE				
38	XC5798051	X BELT PRESSER				
39	XE7132001	X CARRIAGE A SUB ASSY				
40	XE7362001	PT METER PLATE B				
41	060301216	SCREW BIND M3X12				
42	XC5801051	HOOP LEVER				
43	012300632	SET SCREW, SOCKET (FT) M3X6				
44	XC5802051	SPRING				
45	X52569001	NUT				
46	XE7134001	X SENSOR DOG				
47	XE7354001	X CABLE FIXING SHEET L				
48	XC7564051	SCREW, PAN (S/P WASHER) M3X6				
49	XE7355001	X CABLE FIXING SHEET D				
50	XG0870001	COATING CLIP				
55	XC5817051	SCREW, KNOB M4S				
59	XE2319001	CYLINDER CONNECTION L				
60	XE2320001	CYLINDER CONNECTION R				
61	061300616	SCREW, FLAT M3X6				
74	XE7946001	X AREA PCB ASSY				
77	XE7945101	HOOP PCB ASSY			2000017910	
78	XA8390051	SCREW				
79	XE7942001	LEAD WIRE ASSY:X-HOOP				
81	XC6177051	ASSY: HOOP SENSOR				
82	XG5195001	PULSE MOTOR:X 17PU-H049BG01CN				H
83	XE7941001	FLEXIBLE FLAT CABLE:SML2CD-CX				
86	018300632	BOLT SOCKET M3X6				
87	018300836	BOLT SOCKET M3X8				

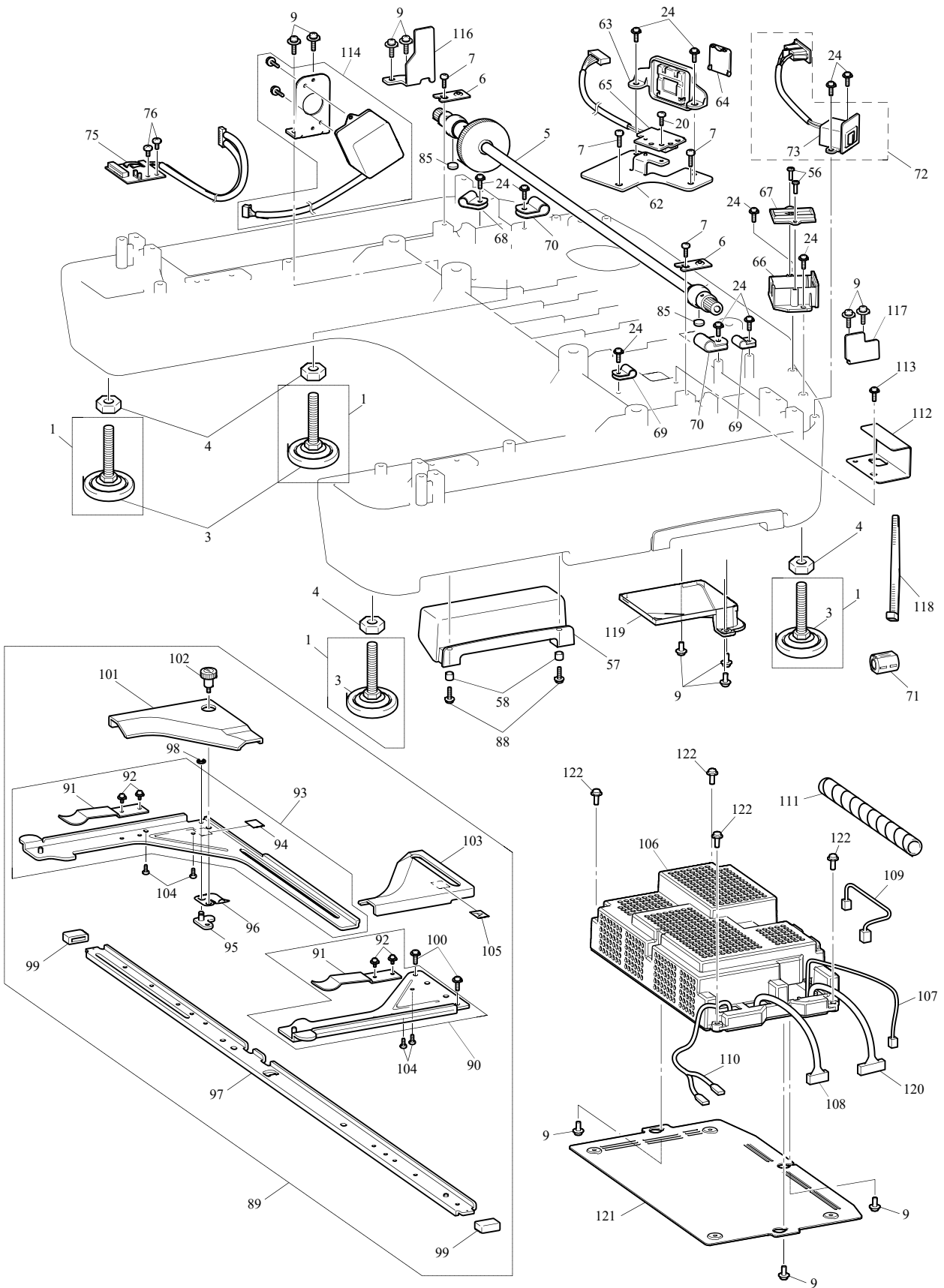
(8)-2_XYCARRIAGE MECHANISM



(8)-2_XYCARRIAGE MECHANISM

No.	CODE	NAME	MODEL	SPEC	REMARKS	R/H
7	X57908052	TAPTITE, BIND S M4X10				
8	XC5771051	Y TENSION PLATE SET				
9	XH4900101	SCREW, PAN (S/P WASHER) M4X10			2000017597	
10	XC5775051	T BELT B60S3M579				
11	XE7124001	Y CARRIAGE R				
12	XE7125001	Y CARRIAGE L				
13	XC5779051	BEARING CASE Y				
14	XC5780001	BEARING 10, LINER				
15	048190142	RETAINING RING, EXTERNAL C19				
16	0A4301006	SCREW, PAN (S/P WASHER) M3X10				
17	XC5781251	Y BELT PRESSER				
18	085311416	TAPTITE, BIND P M3X14				
19	XC5782051	Y SENSOR DOG				
20	060300416	SCREW, BIND M3X4				
21	XC5783051	Y GUIDE SHAFT				
22	XC5784251	FIXED Y SHAFT PLATE				
24	0A5400806	SCREW, PAN (S/P WASHER) M4X8				
36	XE7126001	Y CARRIAGE SUB PLATE				
48	XC7564051	SCREW, PAN (S/P WASHER) M3X6				
51	XC5807051	PCB SET PLATE				
52	XC5808051	Y CABLE PROTECTION SHEET A				
53	XC6121051	Y CABLE PROTECTION SHEET B				
54	XC5809151	CODE GRIP				
61	061300616	SCREW, FLAT M3X6				
76	060400616	SCREW BIND M4X6				
80	XE7948001	CONNECT PCB ASSY				
84	XE7940001	FLEXIBLE FLAT CABLE:SML2CD-YC				
115	018300532	BOLT SOCKET M3X5				

(8)-3_XYCARRIAGE MECHANISM



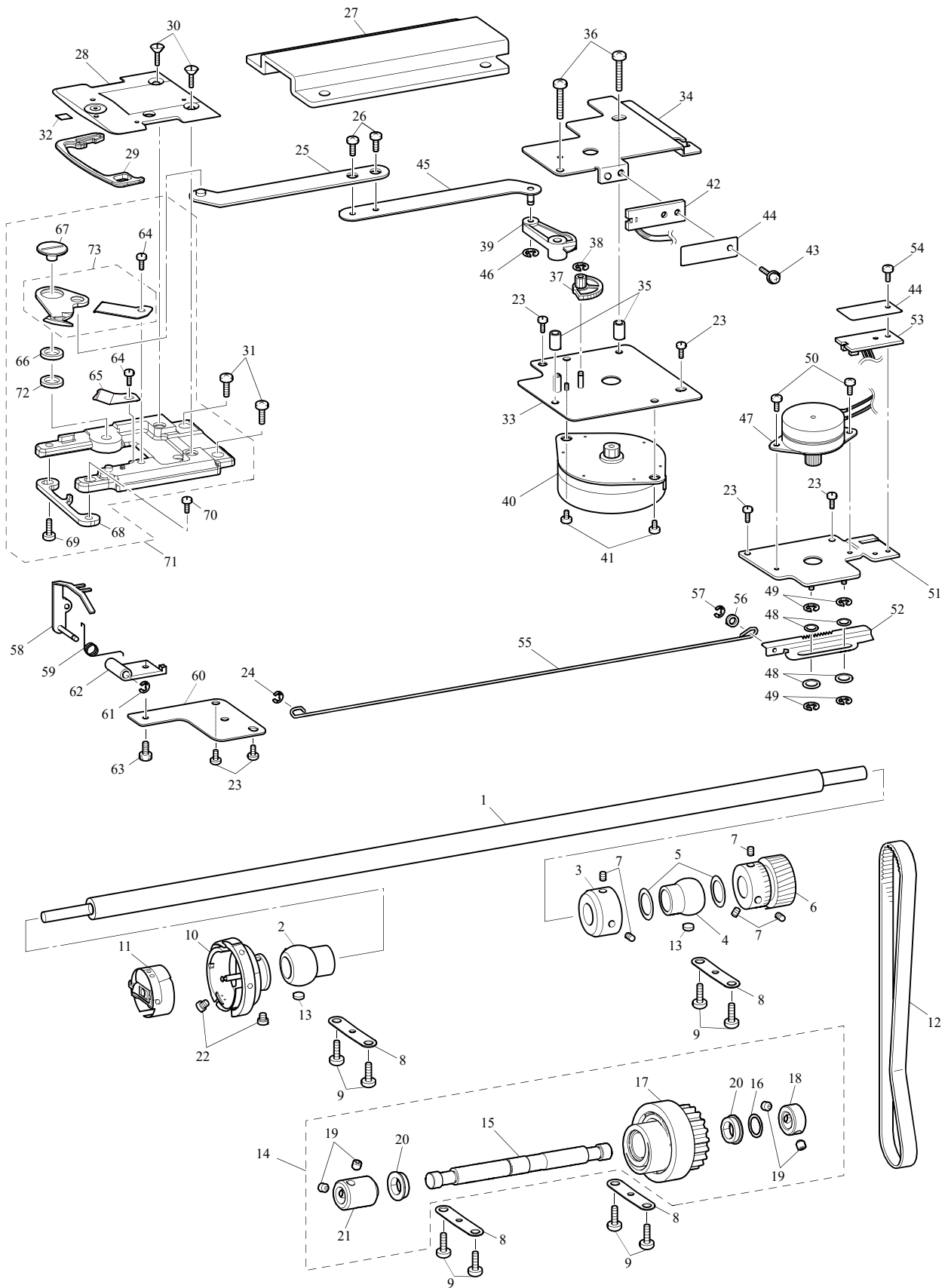
(8)-3_XYCARRIAGE MECHANISM

No.	CODE	NAME	MODEL	SPEC	REMARKS	R/H
1	XD0747051	ADJUST BOLT M8				
3	XD0752051	RUBBER CUSHION				H
4	021080206	NUT, 2 M8				
5	XC5767151	Y DRIVING SHAFT ASSY				
6	X52478051	BUSHING PRESSER				
7	X57908052	TAPTITE, BIND S M4X10				
9	XH4900101	SCREW, PAN (S/P WASHER) M4X10			2000017597	
20	060300416	SCREW, BIND M3X4				
24	0A5400806	SCREW, PAN (S/P WASHER) M4X8				
56	X59629051	TAPTITE, BIND B M3X10				
57	XC5834051	HANDLE				
58	XC5835051	BUSH 4X4				
62	XE8122001	EX CONNECTOR HOLDER				
63	XE8123001	EX CONNECTOR HOLDER COVER				
64	XE8124001	EX CONNECTOR HOLDER COVER LID				
65	XE8088001	EXTENSION IF PCB ASSY:PR L				
66	XG4057001	INLET COVER				
67	XG4058001	INLET COVER LID				
68	XA8837051	CORD CLAMP				
69	XA7678051	CORD CRAMP				
70	XE8308001	CORD CLAMP:WL-1/2				
71	XE7045001	FERRITE CORE: LF0930A				
72	XE8187101	POWER SWITCH ASSY 120		USA		
72	XE8188101	POWER SWITCH ASSY 200		OTHER		
73	XG4059001	SWITCH HOLDER				
75	XE7947001	Y AREA PCB ASSY				
76	060400616	SCREW BIND M4X6				
85	XC3183051	FELT				
88	XC7077051	SCREW 3X10				
89	XE7374001	TUBULAR ROUND ARMA SUPPLY ASSY				
90	XE7399101	TUBLAR ROUND ARM RA SET				
91	XC7076151	SPRING, PLATE				
92	XC7644051	SCREW, PAM (S/P WASHER) M3X5				
93	XE7137001	TUBLAR ROUND ARM L SET				
94	XE7375001	SEAL				
95	XE7140001	GUIDE PLATE ASSY				
96	XE7143101	SPRING PLATE				
97	XE7145001	HOOP STAY A				
98	048030343	RETAINING RING, E3				
99	XC5816051	RUBBER				
100	0A5400806	SCREW, PAN (S/P WASHER) M4X8				
101	XE7146001	TUBULAR ARM COVER L2				
102	XC5553051	THUMB BOLT M4 L				
103	XE7174001	TUBULAR ARM COVER R2				

(8)-3_XYCARRIAGE MECHANISM

No.	CODE	NAME	MODEL	SPEC	REMARKS	R/H
104	136681051	TAPTITE, BIND B M3X8				
105	XE7414001	SEAL A				
106	XG6925001	POWER PCB SUPPLY ASSY				R/H
107	D01R1F001	LEAD WIRE ASSY MD-MOTOR				
108	XG5390001	LEAD WIRE ASSY PW-MAIN				
109	XG5389001	LEAD WIRE ASSY PW-MD				
110	XC6209051	LEAD WIRE ASSY:POWER		USA		
110	XE8327001	LEAD WIRE ASSY:POWER 200		OTHER		
111	XE8197001	SPIRAL TUBE				
112	XE7406001	POWER UNIT CODE GUIDE				
113	0A5400806	SCREW PAN (S/P WASHER) M4X8				
114	XG1618001	Y MOTOR ASSY				H
116	XE7433001	BELT SUPPORT L				
117	XE7434001	BELT SUPPORT R				
118	X53169050	BAND				
119	XG5309001	OIL PAN				
120	XG5191001	LEAD WIRE ASSY MD-MAIN				
121	XE7369001	POWER UNIT STAY				
122	0A5401206	SCREW PAN (S/P WASHER) M4X12				

(9)_LOWER SHAFT / THREAD CUTTING MECHANISM



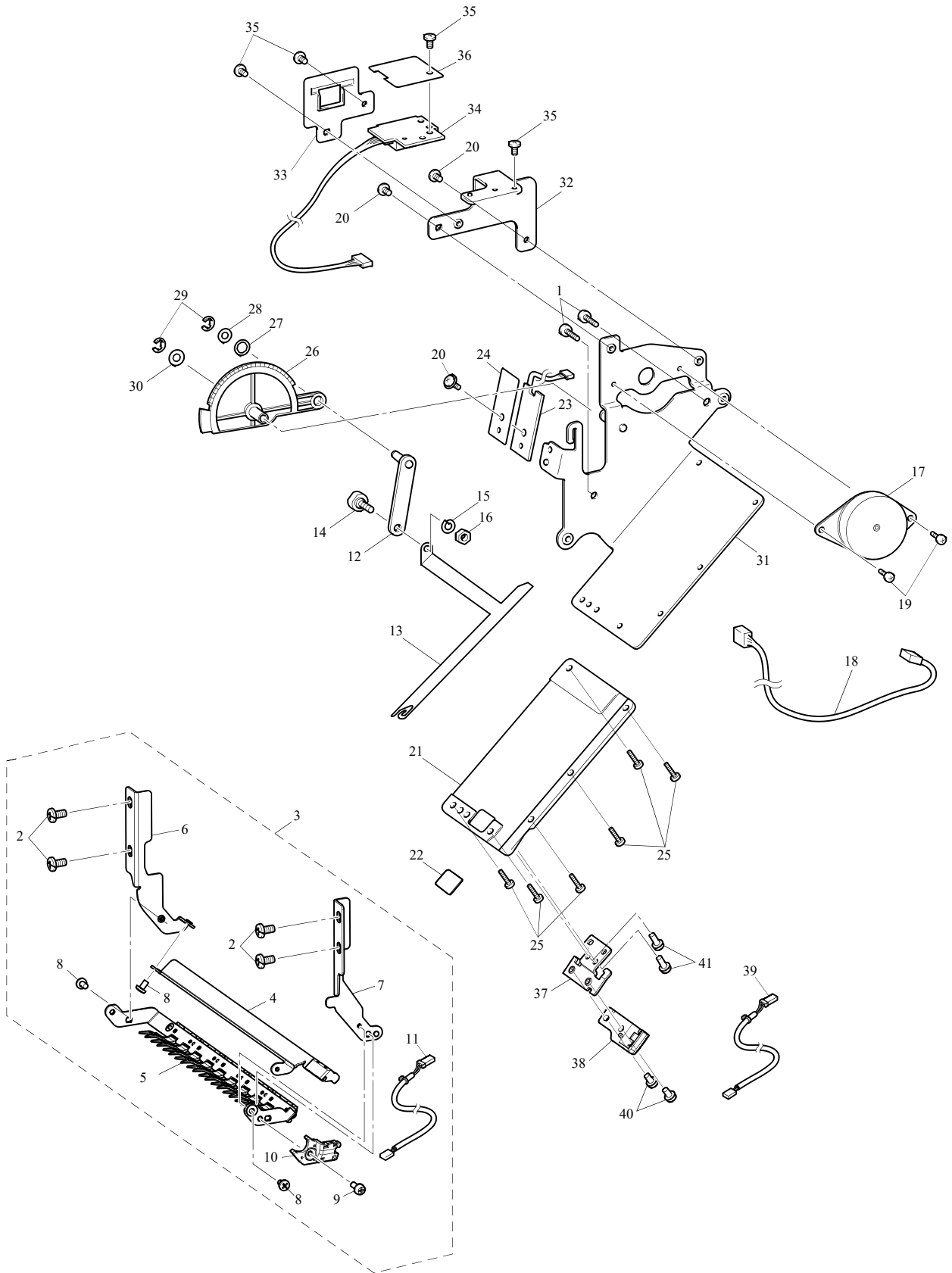
(9)_LOWER SHAFT / THREAD CUTTING MECHANISM

No.	CODE	NAME	MODEL	SPEC	REMARKS	R/H
		LOWER SHAFT MECHANISM				
1	XG5327001	LOWER SHAFT				
2	XC5845051	LOWER SHAFT METAL, R				
3	XA0840051	COLLAR				
4	XC5845051	LOWER SHAFT METAL, R				
5	XA0835050	WASHER. THURST 7.24				
6	XA0841051	LOWER SHAFT GEAR				
7	014060632	SET SCREW, SOCKET (CP) M6X6				
8	X57943051	BUSHING PRESSER				
9	X57908052	TAPTITE, BIND S M4X10				
10	XC6924001	ROTARY HOOK, DB1-ATR (1QB)				H
11	XC7206001	BOBBIN CASE ASSY				H
12	XC5846051	T BELT-S5M-525				
13	XC3183051	FELT				
14	XE7034301	IDLE PULLEY ASSY				H
15	XC5847051	IDLE PULLEY SHAFT				
16	X51383050	WASHER,THRUST				
17	XE7033001	IDLE PULLEY				
18	137768151	SET SCREW COLLAR				
19	014400432	SET SCREW SOCKET (CP) M4X4				
20	XF2011001	BALL BEARING				
21	XG4481001	SLEEVE OF PROTECT				
22	XC7271001	HOOK SET SCREW4.37				
		THREAD CUTTING MECHANISM				
23	060400616	SCREW BIND M4X6				
24	048020343	RETAINING RING, E2				
25	XC5871151	CUTTER LINK ASSY				
26	060300416	SCREW BIND M3X4				
27	XC5874051	BED COVER				
28	XE1142001	NEEDLE PLATE				R
29	XF1978001	SPACER				
30	XC6404051	SCREW, FLAT M4				
31	062400816	SCREW PAN M4X8				
32	XC5984051	FELT				
33	XC5858151	CT MOTOR BRACKET ASSY				
34	XC5863251	CUTTER BRACKET				
35	XC5864051	COLLAR				
36	000401605	SCREW BIND M4X16				
37	XC5865151	INITIAL GEAR				
38	048020343	RETAINING RING, E2				
39	XC5866151	LEVER GEAR				
40	XC6184151	ASSY: TH CUTTER MOTOR				
41	060300416	SCREW BIND M3X4				

(9)_LOWER SHAFT / THREAD CUTTING MECHANISM

No.	CODE	NAME	MODEL	SPEC	REMARKS	R/H
42	XG4167001	TH CUTTER SENSOR PCB ASSY				
43	XC7564051	SCREW, PAN (S/P WASHER) M3X6				
44	XE7791101	INSULATION SHEET				
45	XC5868051	LEVER LINK ASSY				
46	048040343	RETAINING RING, E4				
47	XG5375001	PULSE MOTOR:P M35SP-9NK				
48	026030136	WASHER, PLAIN S 3				
49	048020343	RETAINING RING, E2				
50	060300416	SCREW BIND M3X4				
51	XC5510151	PK MOTOR BRACKET ASSY				
52	XC5513151	RACK ASSY				
53	XG4170001	PICKER SENSOR PCB ASSY				
54	XC7564051	SCREW, PAN (S/P WASHER) M3X6				
55	XC5856051	PICKER LINK				
56	026030136	WASHER, PLAIN S 3				
57	048020343	RETAINING RING, E2				
58	XC5849151	PICKER ASSY				
59	XC5853051	PICKER SPRING				H
60	XC5854051	PICKER BRACKET				
61	048020343	RETAINING RING, E2				
62	XC6634151	PICKER HOLDER				
63	018300532	BOLT SOCKET M3X5				
64	XC5881051	SCREW				
65	XC6230051	THREAD HOLDING PLATE				
66	XH4615001	COLLAR M-KNIFE				
67	S32475001	SCREW, M4				
68	XC5879051	ROTARY HOOK STOPPER				
69	018300636	BOLT SOCKET M3X6				
70	XC5881051	SCREW				
71	XE7460301	NEEDLE PLATE BASE ASSY				
72	XE1845001	MOVABLE KNIFE SPACER				
73	D01M6F001	KNIFE SUPPLY ASSY				

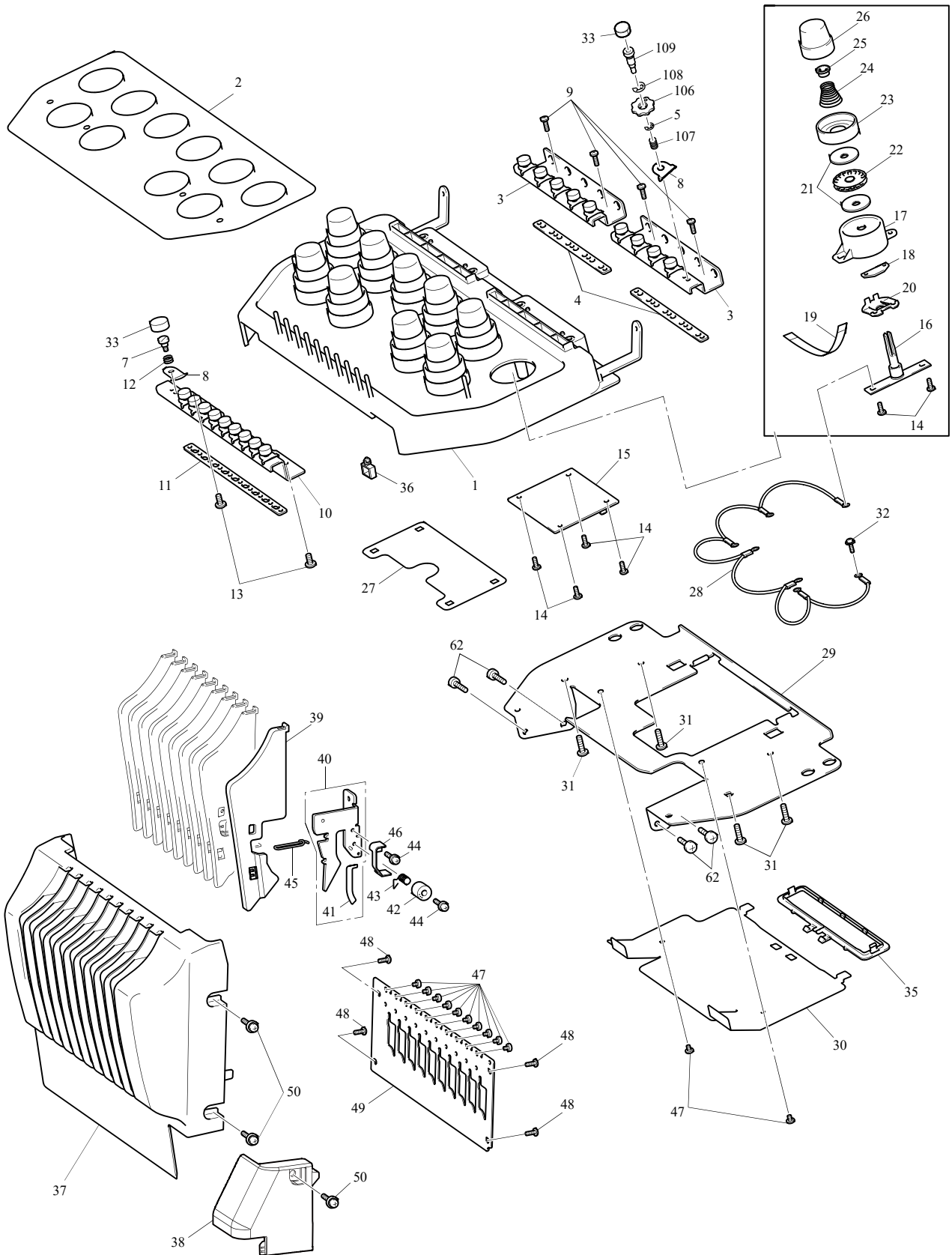
(10)_WIPER MECHANISM



(10)_WIPER MECHANISM

No.	CODE	NAME	MODEL	SPEC	REMARKS	R/H
1	X57908052	TAPTITE, BIND S M4X10				
2	060400616	SCREW, BIND M4X6				
3	D027N2001	THREAD PRESSER WP SET				
4	XF0099101	THREAD PRESSER BASE UP WP ASSY				
5	XF0699001	THREAD PRESSER BASE LOWER ASSY				
6	XF0799001	THREAD PRESSER BASE L WP				
7	XF0800001	THREAD PRESSER BASE R WP				
8	060300516	SCREW BIND M3X5				
9	0A4300806	SCREW PAN (S/P WASHER) M3X8				
10	D027N5001	LED MID SUPPLY ASSY			2000018664	
11	XG5144001	LEAD WIRE ASSY LED CAMERA2				
12	XC5888051	WIPER LINK ASSY				
13	XC5891151	WIPER HOOK				H
14	XC5892151	WIPER SHOULDER SCREW				
15	028040246	WASHER, SPRING 2-4				
16	021400305	NUT, 3 M4				
17	XG5376101	PULSE MOTOR:W M35SP-9NK				
18	XG5194001	LEAD WIRE ASSY WPM				
19	062300416	SCREW, PAN M3X4				
20	XC7564051	SCREW, PAN (S/P WASHER) M3X6				
21	D01S2T001	OILED WIPER GUIDE				
22	XC5894051	WIPER CUSHION				
23	XG4168001	WIPER SENSOR PCB ASSY				
24	XE7791101	INSULATION SHEET				
25	062300616	SCREW, PAN M3X6				
26	XC5887151	WIPER LEVER				
27	X53838051	WASHER				
28	025050236	WASHER, PLAIN M 5				
29	048040343	RETAINING RING, E4				
30	025060235	WASHER, PLAIN M 6				
31	XE8127101	WIPER BASE ASSY				
32	XE8108101	EX CONNECTOR HOLDER U				
33	XE8109001	EX CONNECTOR COVER U				
34	XE8087001	EXTENSION IF PCB ASSY:PR U				
35	060300516	SCREW BIND M3X5				
36	XG5299001	INSULATION SHEET				
37	XG5336001	LED HOLDER BEHIND				
38	D027N6001	LED BEHIND SUPPLY ASSY			2000018664	
39	XG4586001	LEAD WIRE ASSY LED CAMERA1				
40	0A4300606	SCREW PAN (S/P WASHER) M3X6				
41	0A4300806	SCREW PAN (S/P WASHER) M3X8				

(11)-1_UPPER THREADING MECHANISM



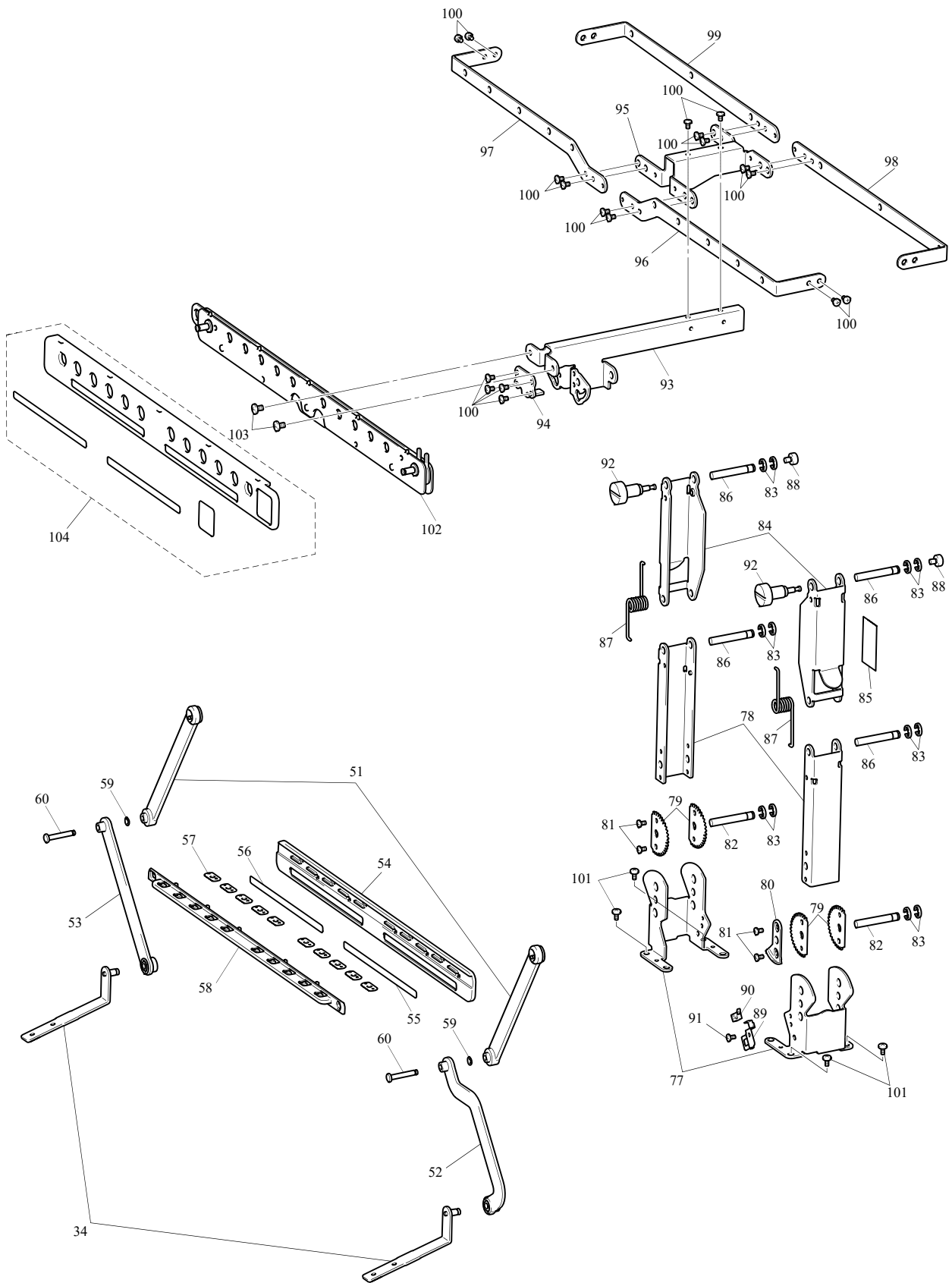
(11)-1_UPPER THREADING MECHANISM

No.	CODE	NAME	MODEL	SPEC	REMARKS	R/H
1	XE8110001	TENSION BASE				
2	XH4671001	TENSION BASE SHEET				
3	XE8020001	UPPER THREAD EYELET BASE				
4	XE8021001	U THREAD EYELET BASE PLATE				
5	XG1127001	THREAD GUIDE COMPRESSION				
7	XC5906051	THREAD GUIDE TENSION AXIS				
8	XC5907051	THREAD GUIDE TENSION PLATE				
9	X59629051	TAPTITE,BIND B M3X10				
10	XE8112001	INNER THREAD EYELET BASE				
11	XE8113001	I THREAD EYELET BASE PLATE				
12	XZ0198051	BOBBIN WINDER COMPRESSION				
13	085410816	TAPTITE, BIND B M4X8				
14	X59629051	TAPTITE, BIND B M3X10				
15	XE7949101	HEAD PCB ASSY			2000020060	
16	XC5911151	THREAD TENSION BRACKET				
17	XC5914155	THREAD QUANTITY SENSOR COVER				
18	XC6167151	ASSY: TH SENSOR			2000020060	
19	XE7943001	FLEXIBLE FLAT CABLE:SML2CD-H				
20	XE8022001	THREAD QUANTITY SENSOR PRESSER				
21	D02781001	TENSION DISC FELT			2000017910	H
22	XC7602000	ROTARY DISC ASSY B				
23	XC5915053	TENSION DISC PRESSER				
24	XC6232051	TENSION SPRING				H
25	S30564000	WASHER				
26	XE8114001	TENSION NUT				
27	XE8115001	TENSION BASE SLIDER SHEET				
28	XE8226001	LEAD WIRE ASSY: HEAD EARTH				
29	XE8117001	TENSION BASE BRACKET				
30	XE8120001	BRACKET COVER				
31	085411416	TAPTITE, BIND B M4X14				
32	XC7564051	SCREW, PAN (S/P WASHER) M3X6				
33	XC5919055	TENSION AXIS CAP				
35	XE8121001	HEAD WIRE GUIDE				
36	XE8225001	CORD CLAMP:LWSM-0605				
37	XH4672001	TAKEUP LEVER COVER ASSY				R
38	XH4902001	CMR HOOD FRONT				
39	XC6001052	THREAD GUIDE COVER				
40	XC5921151	THREAD TAKE-UP BRACKET ASSY				
41	XC5925051	SPRING TAPE				
42	XC6463051	THREAD CATCHING SPRING CASE				
43	XC5926051	THREAD TAKE-UP SPRING				R/H
44	0A4300606	SCREW, PAN (S/P WASHER) M3X6				
45	XC5929051	THREAD GUIDE WIRE				H
46	XC6234051	THREAD GUARD				

(11)-1_UPPER THREADING MECHANISM

No.	CODE	NAME	MODEL	SPEC	REMARKS	R/H
47	060300416	SCREW, BIND M3X4				
48	085311016	TAPTITE BIND B M3X10				
49	XE7883001	THREAD GUIDE BACK COVER				
50	XH4900101	SCREW PAN (S/P WASHER) M4X10			2000017597	
62	060400816	SCREW, BIND M4X8				
106	XG1130001	NUT				
107	048025343	RETAINING RING E2.5				
108	048040343	RETAINING RING E4				
109	XG1128001	THREAD GUIDE TENSION SCREW				

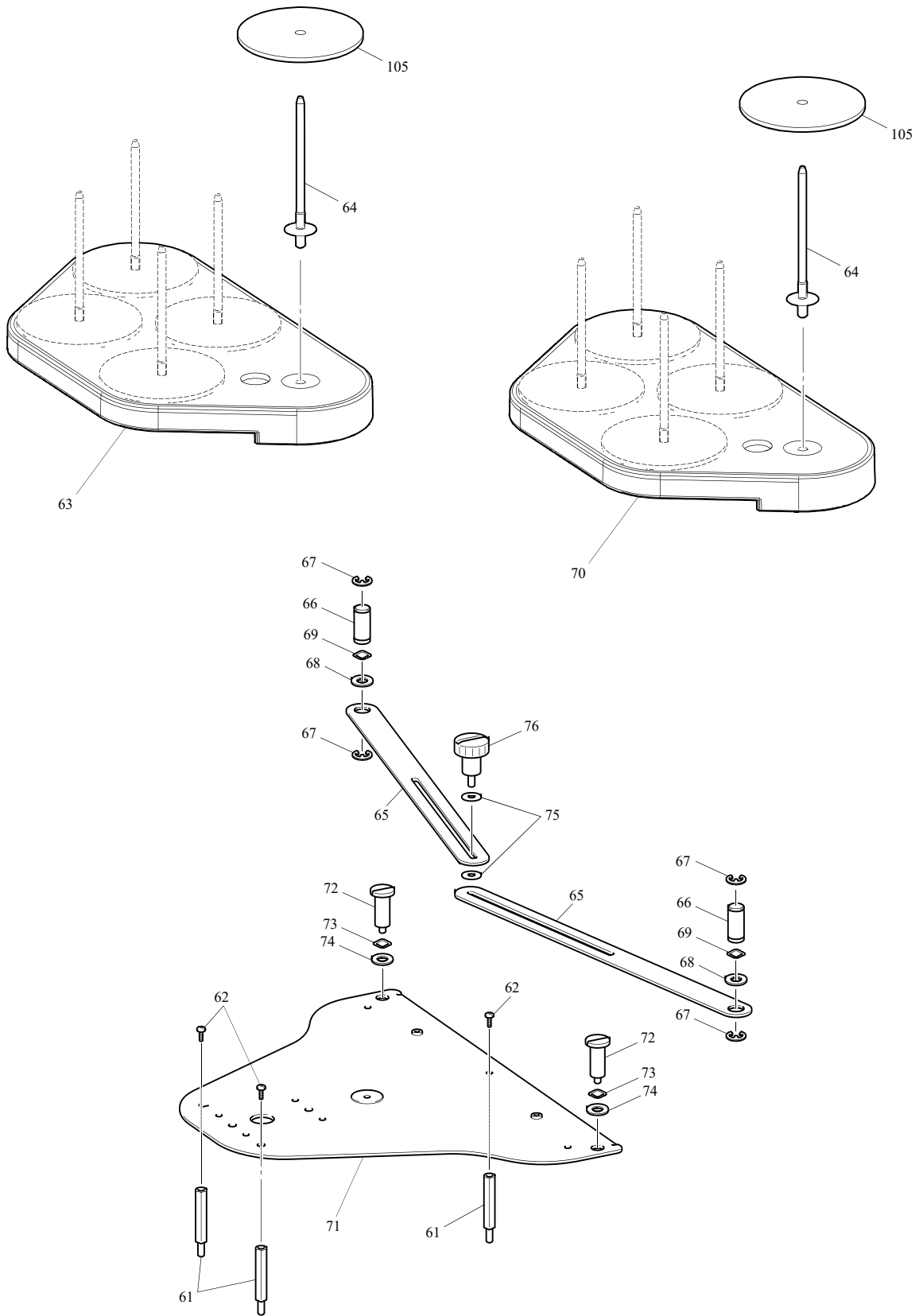
(11)-2_UPPER THREADING MECHANISM



(11)-2_UPPER THREADING MECHANISM

No.	CODE	NAME	MODEL	SPEC	REMARKS	R/H
34	XE8023001	THREAD LENGTH KEEP SUPPORT ASSY				
51	XE8027101	THREAD LENGTH KEEP LINK U				
52	XE8028001	THREAD LENGTH KEEP LINK L R				
53	XE8029001	THREAD LENGTH KEEP LINK L L				
54	XE8030001	THREAD LENGTH GUIDE SUPPORT				
55	XE8031001	T NUMBER INDICATION SEAL A				
56	XE8032001	T NUMBER INDICATION SEAL B				
57	XE8033001	THREAD LENGTH GUIDE				
58	XE8034001	THREAD LENGTH GUIDE COVER				
59	117851051	WASHER,SPRING				
60	XE8035101	THREAD LENGTH GUIDE SHAFT				
77	XE8040001	ANTENNA BASE				
78	XE8041001	ANTENNA BRACE D				
79	XE8042001	ANTENNA BRACE D GEAR				
80	XE8043001	ANTENNA SWICH CONTACT				
81	060300616	SCREW BIND M3X6				
82	XE8044001	ANTENNA BASE SHAFT				
83	048050343	RETAINING RING E5				
84	XE8045001	ANTENNA BRACE				
85	XE8046001	ANTENNA BRACE SEAL				
86	XE8047001	ANTENNA BRACE SHAFT				
87	XE8048001	ANTENNA BRACE SPRING				
88	XE8051001	SCREW M4				
89	XE8053001	ANTENNA SWITCH HOLDER				
90	XE8203001	ANTENNA SWITCH ASSY				
91	060300516	SCREW BIND M3X5				
92	XE8052001	THUMB BOLT M4				
93	XE8049001	ANTENNA SUPPORT PLATE				
94	XE8050001	ANTENNA SUPPORT PLATE B				
95	XE8054001	ANTENNA A				
96	XE8055001	ANTENNA B R				
97	XE8056001	ANTENNA B L				
98	XE8057001	ANTENNA C R				
99	XE8058001	ANTENNA C L				
100	060300516	SCREW BIND M3X5				
101	060401016	SCREW BIND M4X10				
102	XE8059001	THREAD BRAKE PLATE ASSY				
103	060400616	SCREW BIND M4X6				
104	XE8969001	T B PLATE C COVER ASSY				

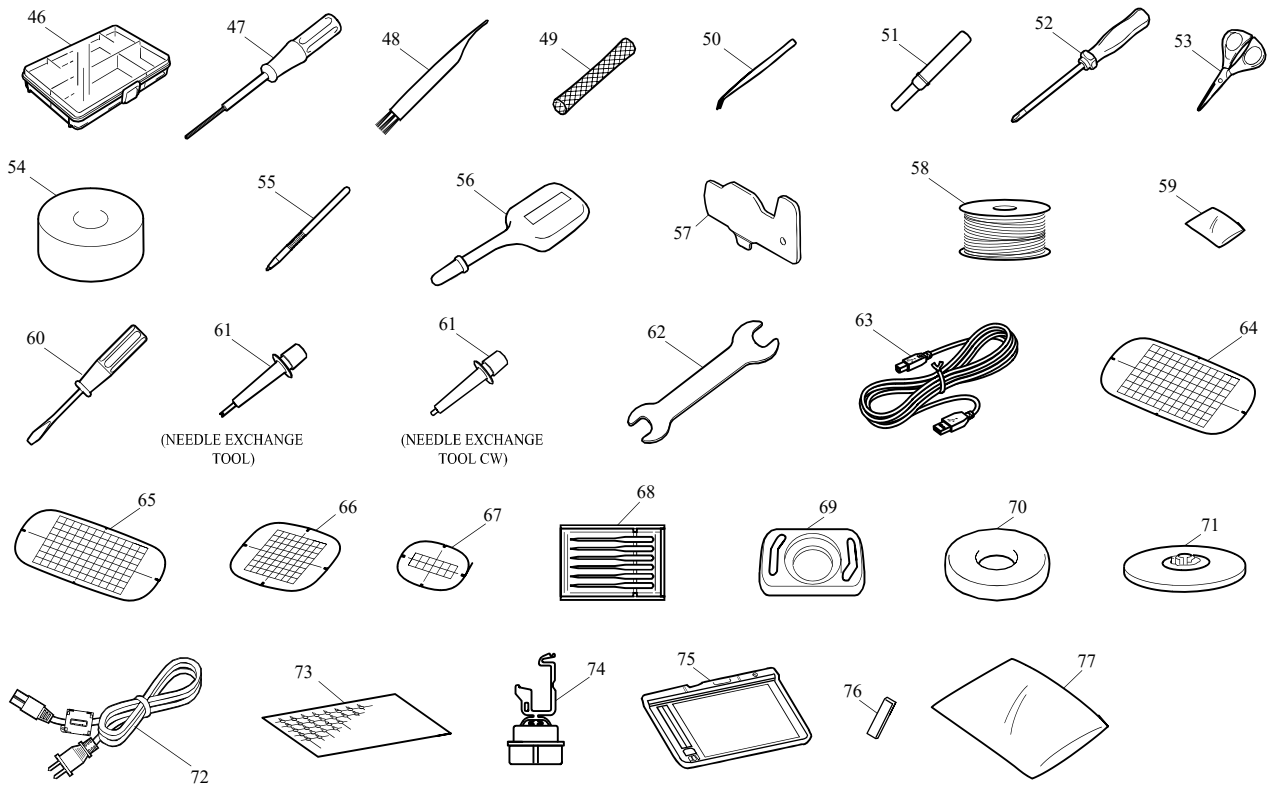
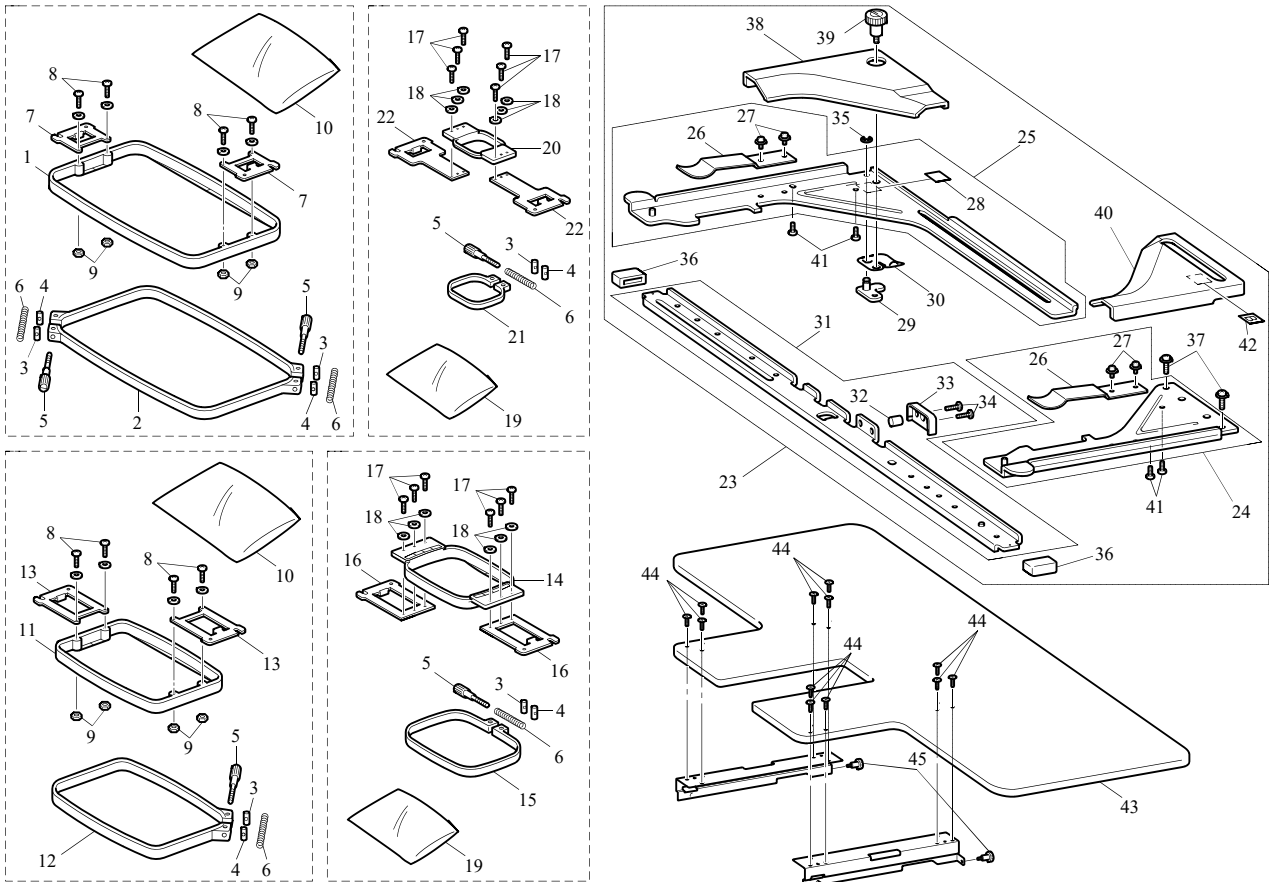
(11)-3_UPPER THREADING MECHANISM



(11)-3_UPPER THREADING MECHANISM

No.	CODE	NAME	MODEL	SPEC	REMARKS	R/H
61	XE8036001	STUD				
62	060400816	SCREW, BIND M4X8				
63	XH4676001	SPOOL STAND L				
64	XC5949051	SPOOL PIN				
65	XE8039001	SPOOL STAND LINK				
66	XC5939051	SPOOL STAND STUD				
67	048080343	RETAINING RING E8				
68	XA9677051	WASHER				
69	XC5945051	SPRING WASHER				
70	XH4678001	SPOOL STAND R				
71	XE8038001	SPOOL STAND BASE				
72	XC5943051	STUD SCREW				
73	XC5945051	SPRING WASHER				
74	D01H5L001	WASHER THRUST 10				
75	XC5948051	SPACER				
76	XC5553051	THUMB BOLT M4 L				
105	XE7893001	SPOOL SPONGE				

(12)_ACCESSORY PARTS



(12)_ACCESSORY PARTS

No.	CODE	NAME	MODEL	SPEC	REMARKS	R/H
1	XE7156001	TUBULAR FRAME 36X20 INNER				
2	XE7157001	TUBULAR FRAME 36X20 OUTER				
3	XH4613001	COLLAR				
4	XH4614001	NUT, M4				
5	XC5957051	SCREW, M4				
6	S36043000	SPRING, COMPRESSION 5.3X47.7				
7	XC5958051	HOLDER 30X20				
8	062401416	SCREW, PAN M4X14				
9	021400206	NUT, 2 M4				
10	X60224051	BAG 350X700H				
11	XC5960051	TUBULAR FRAME 18X13 INNER				
12	XC5961051	TUBULAR FRAME 18X13 OUTER				
13	XC5963051	HOLDER 18X13				
14	XC5965051	TUBULAR FRAME 10X10 INNER				
15	XC5966051	TUBULAR FRAME 10X10 OUTER				
16	XC5968051	HOLDER 10X10				
17	060300516	SCREW, BIND M3X5				
18	025030236	WASHER, PLAIN M 3				
19	XZ0197051	BAG 180X470				
20	XC5970051	TUBULAR FRAME 06X04 INNER				
21	XC5971051	TUBULAR FRAME 06X04 OUTER				
22	XC5973051	HOLDER 06X04				
23	XE7376001	TUBULAR ROUND ARMB SUPPLY ASSY				
24	XE7364001	TUBLAR ROUND ARM RB SET				
25	XE7177001	TUBLAR ROUND ARM LB SET				
26	XC7076151	SPRING,PLATE				
27	XC7644051	SCREW, PAM (S/P WASHER) M3X5				
28	XE7375001	SEAL				
29	XE7140001	GUIDE PLATE ASSY				
30	XE7143101	SPRING PLATE				
31	XE7180001	HOOP STAY B ASSY				
32	XE2270001	MAGNET				
33	XE2271001	MAGNET HOLDER				
34	060300613	SCREW BIND M3X6				
35	048030343	RETAINING RING E3				
36	XC5816051	RUBBER				
37	0A5400806	SCREW PAN (S/P WASHER) M4X8				
38	XE7146002	TUBULAR ARM COVER L2				
39	XC5553051	THUMB BOLT M4 L				
40	XE7174002	TUBULAR ARM COVER R2				
41	136681051	TAPTITE, BIND B M3X8				
42	XE7415001	SEAL B				
43	XE7197001	WIDE TABLE TOP				
44	004401416	SCREW FLAT M4X14				

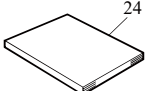
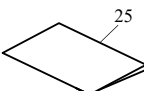
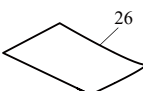
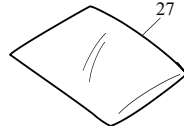
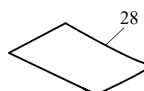
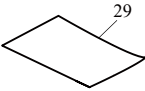
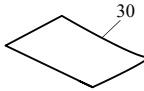
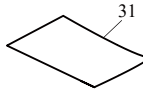
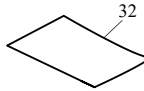
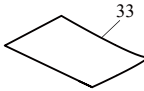
(12)_ACCESSORY PARTS

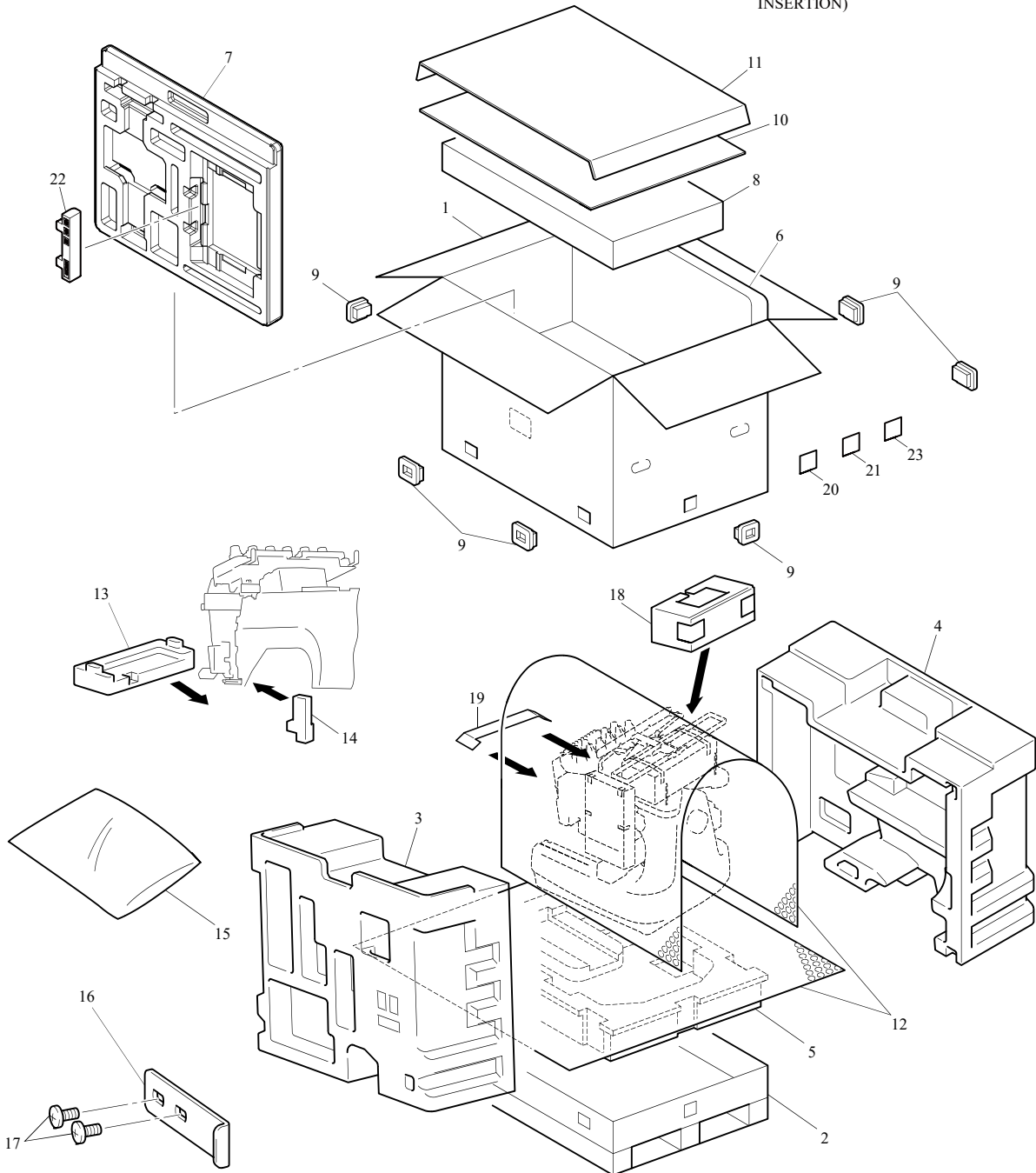
No.	CODE	NAME	MODEL	SPEC	REMARKS	R/H
45	XC5553051	THUMB BOLT M4 L				
46	XC6482051	ACCESSORY CASE				
47	XC5159051	HEXAGONAL DRIVER, 1.5				
48	X59476051	CLEANING BRUSH				
49	S34455000	NET, 160L				
50	XC6542051	PINCETTE				
51	XF4967001	RIPPER ASSY				
52	XC6543051	SCREW DRIVER, 2X100				
53	XF2052001	SCISSORS				
54	XC5974151	BOBBIN TENSION GAUGE				
55	XA9940051	TOUCH PEN				
56	D01H2M001	OILER ASSY KOREA (KOR)				
56	D01H2N001	OILER B ASSY (OTHER)				
57	XH4670001	NEEDLE PLATE FIXING METAL				
58	XH3619001	PREWOUND BOBBIN				
59	X60838051	BAG, 70X110C				
60	X55468051	SCREW DRIVER S				
61	XE8362001	NEEDLE EXCHANGE TOOL				
61	XF0793001	NEEDLE EXCHANGE TOOL CW				
62	XC6159051	WRENCH 13X10				
63	XD1851051	USB I/F CORE CABLE 3M				
64	XE7158101	EMBROIDERY SHEET 36X20 ASSY				
65	XC5721051	EMBROIDERY SHEET 18X13 ASSY				
66	XC5759051	EMBROIDERY SHEET 10X10 ASSY				
67	XC5761051	EMBROIDERY SHEET 06X04 ASSY				
68	XC6469001	NEEDLE ASSEMBLY				
69	XC6499151	NEEDLE PLATE COVER				
70	XC7134051	SPOOL FELT				
71	130012057	SPOOL PRESSER A				
72	XE7256001	POWER SUPPLY CORD: CSA-CORE		USA		
72	XE7257001	POWER SUPPLY CORD:CEE-CORE		DEU&FRA&ESP&IT A&CHE&EEU&NEU , CHL, SGP, UAE, MYS, RUS		
72	XE7258001	POWER SUPPLY CORD:BS-CORE		UK&IRE, SGP, UAE		
72	XG5349001	POWER SUPPLY CORD:BRZ-CORE		BRA		
72	XE7261001	POWER SUPPLY CORD:IRAM-CORE		ARG		
72	XE7260001	POWER SUPPLY CORD:SAA-LF CORE		AUS&NZL		
72	XE7262001	POWER SUPPLY CORD:CHN-CORE		CHN		
72	XE7264001	POWER SUPPLY CORD:TWN-CORE		TWN		
72	XF0757001	POWER SUPPLY CORD:KOR-CORE		KOR		
72	D01WCD001	POWER SUPPLY CORD:IND-CORE		IND		

(12)_ACCESSORY PARTS

No.	CODE	NAME	MODEL	SPEC	REMARKS	R/H
73	XE4912501	STICKER				
74	XE8396002	USB CORD CLAMP ASSY				
75	XG5300001	SCAN HOOP ASSY		USA,BRA, ARG, CHL, AUS&NZL		
76	XF9325001	MAGNET		USA,BRA, ARG, CHL, AUS&NZL		
77	X60224051	BAG 350X700H		USA,BRA, ARG, CHL, AUS&NZL		

(13)_PACKAGE / USER MANUAL

- | | | | | |
|---|---|---|---|---|
|  |  |  |  |  |
| (INSTRUCTION MANUAL) | (QUICK REFERENCE GUIDE) | (PATTERN LIST) | (for PRINTED MATTER) | (WARRANTY) |
|  |  |  |  |  |
| (ACC CAUTION SHEET) | (INSERTION WEEE) | (INSERTION) | (UKRAINIAN ROHS INSERTION) | (APP INSERTION) |



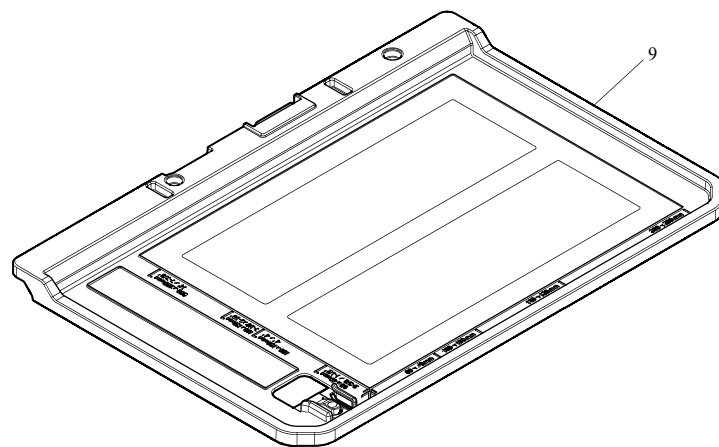
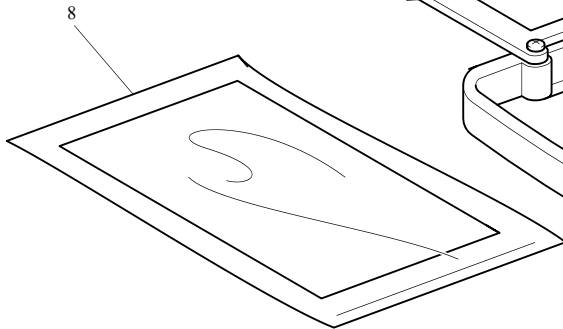
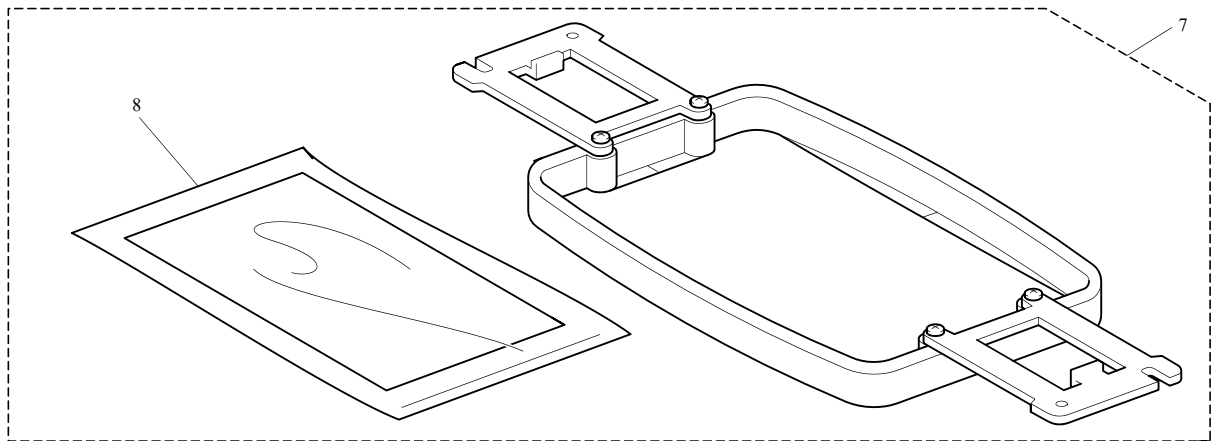
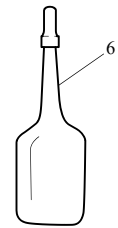
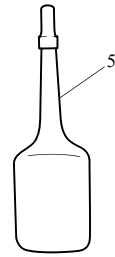
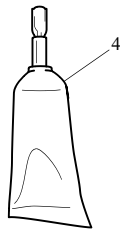
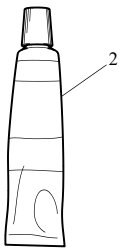
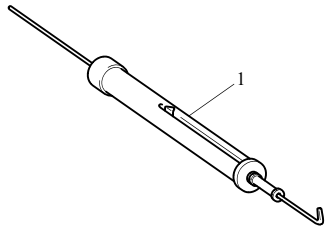
(13)_PACKAGE / USER MANUAL

No.	CODE	NAME	MODEL	SPEC	REMARKS	R/H
		PACKAGE				
1	XH5133001	CARTON TOP:MODEL PR1055X		OTHER		R
1	D01PTU001	CARTON TOP:MODEL PR1055X BR		BRA		R
1	D01T64001	CARTON TOP:MODEL PR1055X AR		ARG		R
1	D01T68001	CARTON TOP:MODEL PR1055X CL		CHL		R
1	D01TYN001	CARTON TOP:MODEL PR1055X CHN		CHN		R
2	XE7470201	CARTON BOTTOM ASSY				R
3	XE8141201	POLYSTYRENE FOAM PAD R				R
4	XE8142201	POLYSTYRENE FOAM PAD L				
5	XC5797350	POLYSTYRENE FOAM PAD BOTTOM				R
6	XE8143201	POLYSTYRENE FOAM PAD SIDE				R
7	XG6037001	POLYSTYRENE FOAM PAD SIDE L				R
8	XE8144201	POLYSTYRENE FOAM PAD TOP				R
9	XC5848051	JOINT				
10	XC5867050	PAD D				R
11	XC5932050	CARTON PAD D				R
12	XC6459051	SHEET, 1400X2000				
13	XE8297201	POLYSTYRENE FOAM PAD FOOT				R
14	XE8684101	HOOK SUPPORT SF				R
15	X60224051	BAG, 350X700H				
16	XE7363001	N.BAR CASE FIX PLATE ASSY				
17	060400816	SCREW BIND M4X8				
18	XE8072001	ANTENNA PROTECT PAD				R
19	XE7435001	X CARRIAGE PAD				
20	XG4430201	IBROIDERY STICKER PR		USA	2000020605	
20	XE7912001	ATTENTION STICKER		BRA, ARG, CHL, AUS&NZL, TWN, MYS, KOR, RUS		
21	XH3834201	BRAZIL ADDRESS LABEL TW		BRA	2000017910	
21	XG4213001	WARRANTY LABEL BR 1YEAR		BRA		
21	LJA281001	ICASA LABEL T77H505		UAE		
22	XG5219001	POLYSTYRENE FOAM PAD SIDE B		USA, BRA, ARG, CHL, AUS&NZL		
23	D024CV001	CHILE PERU ADDRESS LABEL		CHL	2000017597	
		PACKAGE / USER MANUAL				
24	XH5035001	INSTRUCTION BOOK ENG		English		R
24	XH5037001	INSTRUCTION BOOK SPA		Spanish		R
24	XH5039001	INSTRUCTION BOOK GER		German		R
24	XH5038001	INSTRUCTION BOOK FRE		French		R
24	XH5041001	INSTRUCTION BOOK DUT		Dutch		R
24	XH5040001	INSTRUCTION BOOK ITA		Italian		R

(13)_PACKAGE / USER MANUAL

No.	CODE	NAME	MODEL	SPEC	REMARKS	R/H
24	XH5049001	INSTRUCTION BOOK NEU/EEU		Danish, Swedish, Czech, Hungarian, Polish, Romanian		R
24	XH5042001	INSTRUCTION BOOK BP		Portuguese		R
24	XH5044001	INSTRUCTION BOOK SC		Chinese-simp		R
24	XH5045001	INSTRUCTION BOOK TC		Chinese-trad		R
24	XH5046001	INSTRUCTION BOOK KOR		Korean		R
24	XH5043001	INSTRUCTION BOOK RUS		Russian		
25	XH5052001	QUICK REFERENCE GUIDE ASIA		SGP, UAE, MYS		R
25	XH5050001	QUICK REFERENCE GUIDE US/EU		EXCEPT SGP/UAE/MYS/KO R		R
26	XH5054001	PATTERN LIST US/EU		EXCEPT SGP/UAE/MYS/KO R		
26	XH5056001	PATTERN LIST NEU/EEU		DEU&FRA&ESP&IT A&CHE&EEU&NEU		
27	XA0188050	BAG 260X375HC				
28	D01G7K001	WARRANTY SUPPORT SHEET BRO		USA		
28	D029YB001	WARRANTY CARD BRO BR HSM		BRA	2000018778	
29	XG8290001	ACC CAUTION SHEET				
30	XF0300101	INSERTION WEEE				
31	XH3654001	BRAZIL FREQUENCY INSERTION		BRA		
31	D02G4D001	SOLUTION INSERTION			2000020060	
32	XE9897101	UKRAINIAN ROHS INSERTION		RUS		
33	D02B5R101	ARTSPIRA APP INSERTION			2000020364	

(14)_SPARE PARTS / ADJUSTING PARTS



(14)_SPARE PARTS / ADJUSTING PARTS

No.	CODE	NAME	MODEL	SPEC	REMARKS	R/H
		SPARE PARTS (GAUGE)				
1	XC2277001	PUSH PULL GAUGE				
		SPARE PARTS (GREASE, OIL)				
2	XC8385001	MOLYKOTE EM30L				
3	XC8387001	EPNOC AP(N) 0				
4	XC8386001	*1 MOLYKOTE M DISPERSION (EXCEPT USA)		EXCEPT USA		
5	XC8388001	FBK OIL RO 100				
6	D01H2M001	OILER ASSY KOREA		KOR		
6	D01H2N001	OILER B ASSY		OTHER		
		ADJUSTING PARTS				
7	XE7915001	CALIBRATION JIG COMPLETE				
8	XE7916001	N.P. DETECTION STICKER ASSY				
9	XG5346001	SCAN JIG SUPPLY ASSY				

*1 USA must purchase in the US. (It's not listed on the TSCA).