

PARTS LIST

TMAR-KC

TYPE-2

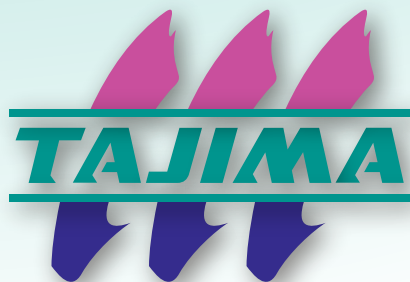


Table of Contents

● GENERAL VIEW	
● FRAMING 1.....	A3-1-1
● FRAMING 2.....	A3-1-2
● TABLE.....	A3-2
● MAIN SHAFT DRIVE SYSTEM.....	A3-3
● CYLINDER BED.....	A3-4
● COLOR CHANGE SYSTEM.....	A3-5
● ARM 1.....	A3-6-1
● ARM 2.....	A3-6-2
● ARM 3.....	A3-6-3
● NEEDLE BAR CASE 1.....	A3-7-1
● NEEDLE BAR CASE 2.....	A3-7-2
● SHAFT COVER.....	A3-8
● CAM DRIVE SYSTEM.....	A3-9
● X-AXIS DRIVE SYSTEM 1.....	A3-10-1
● X-AXIS DRIVE SYSTEM 2.....	A3-10-2
● Y-AXIS DRIVE SYSTEM.....	A3-11
● AUXILIARY DRIVE SYSTEM.....	A3-12
● TENSION BASE.....	A3-13
● THREAD STAND.....	A3-14
● EMBROIDERY FRAME.....	A3-15
● ELECTRICAL PARTS.....	A3-16
● OPERATION PANEL.....	A3-17
● POSITION MARKER (OPTION).....	A3-18

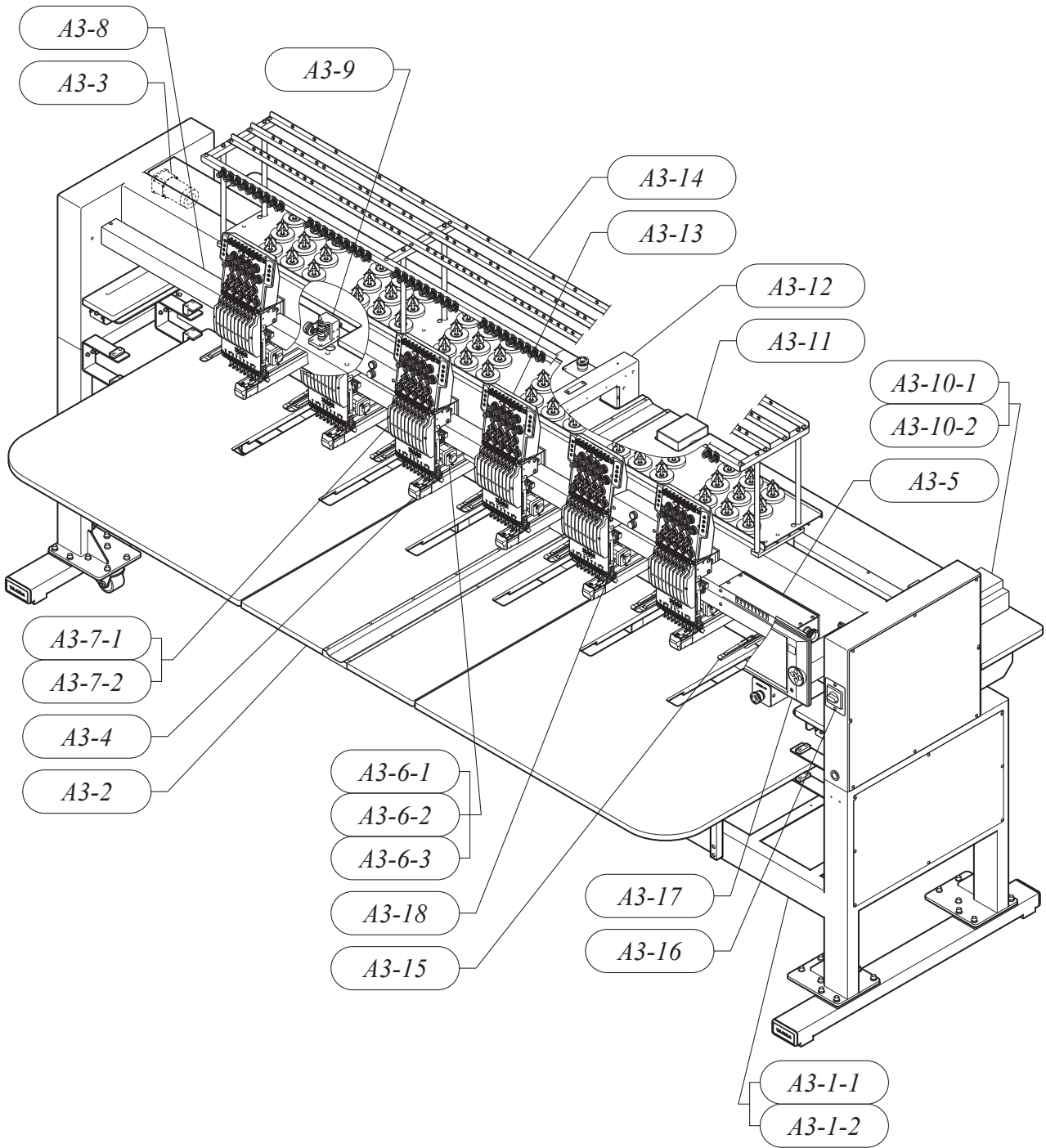
Part Nos. of screws, nuts, washers etc. are listed at the end of volume.

*Regarding the part number that contains description of @, the part differs depending on model, spec. etc.

*When you place an order of such a part, please also inform us of your model, embroidery space and manufacturing number of the machine.

Ex.	TMAR-K906C	450 x 500S	No.A1901234
	[Model]	[Emb. Space]	[Mfg. No.]

GENERAL VIEW



FRAMING 1

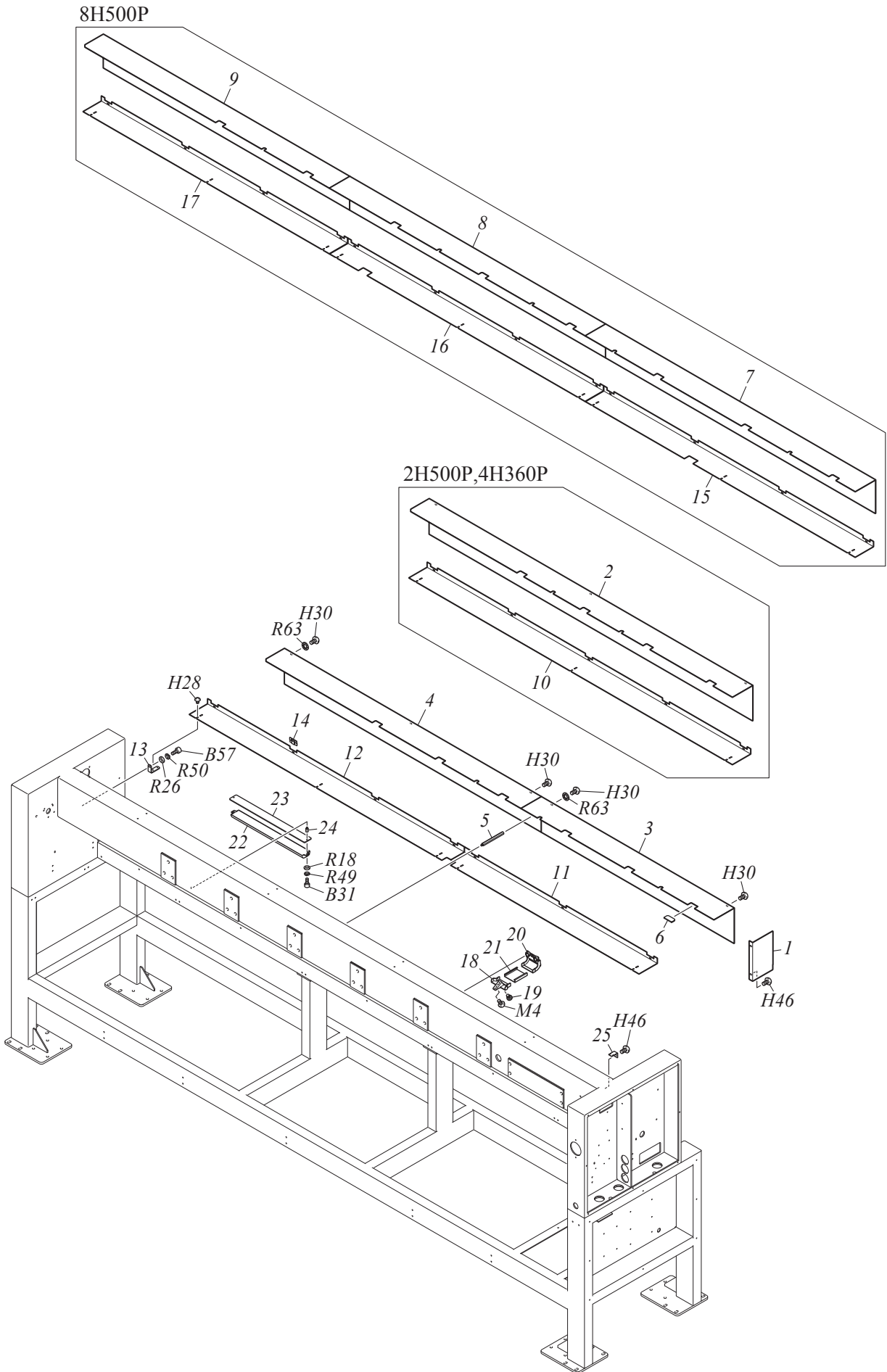
A3-1-1

No.	Part Name	Part No.	Remark
1	STAND[A]	MA3@@@@@0A00	
2	COVER :RIGHT-SIDE BOX :A	03043102@000	
2	COVER :RIGHT-SIDE BOX :B	03043103@000	8H500P
3	COVER :LEFT-SIDE BOX :A	03043104@000	
3	COVER :LEFT-SIDE BOX :B	03043105@000	8H500P
4	LID :HANDLE	0L221001@000	
5	COVER :STAND SIDE FACE :A	03041051@000	2H, 4H, 6H360P
5	COVER :STAND SIDE FACE :B	03041052@000	6H500P, 8H
6	INSULATION TAPE :L250	644800010000	6H or more
7	CASTER :SGW-65 PHB	614300190000	
8	LEVELING BLOCK	030530080000	
9	LEVELING BOLT :M12*90	030530070000	
10	VIBRATION-PREVENTIVE BASE[S]	03052014@S00	
11	CASTER :STH-65 GNB	614300200000	
12	FRAME :STAND	11045026@000	
13	COVER :STAND BASE	030440610010	
14	LEVELING BOLT :M12*50	030530040000	
15	VIBRATION-PREVENTIVE BASE[S]	03052013@S00	4H500P, 6H360P
15	VIBRATION-PREVENTIVE BASE[S]	03052009@S00	6H500P, 8H
16	CENTER SUPPORT :NO.1[S]	03051029@S00	6H500P, 8H
16	CENTER SUPPORT :NO.1[S]	03051028@S00	6H500P, 8H: Low Stand Spec.
17	VIBRATION-PREVENTIVE BASE[S]	03052004@S00	6H500P, 8H
18	TAJIMA BRAND NAME PLATE	030710110000	
19	MAIN NAME PLATE :TMAR-KC	14A30@@@0000	
20	STAND FRONT FACE COVER :L :360P	03041060A000	
20	STAND FRONT FACE COVER :L :500P	03041061A000	
21	STAND FRONT FACE COVER :R :360P	03041060B000	
21	STAND FRONT FACE COVER :R :500P	03041061B000	
22	STAND FRONT FACE COVER :360P	03041062@000	
22	STAND FRONT FACE COVER :500P	03041065@000	
23	STAND FRONT FACE COVER :A :360P	03041063@000	
23	STAND FRONT FACE COVER :A :500P	03041066@000	
24	STAND FRONT FACE COVER :B :360P	03041064@000	
24	STAND FRONT FACE COVER :B :500P	03041067@000	
25	TABLE HOLDER :STAND FRONT FACE COVER	15213001@000	
26	TABLE HOLDER :STAND FRONT FACE COVER :A	1521301@A000	
27	TABLE HOLDER :STAND FRONT FACE COVER :B	1521301@B000	
28	TABLE HOLDER :FRONT	152130170000	
29	STOPPER :TABLE :FRONT	152130070060	
30	STOPPER :TABLE :REAR	152130060010	
31	GROMMET WITH FILM :26A	644500210000	
32	BUSHING :HARNESS	0J1501100010	
33	BUSHING :HARNESS :B :40MM DIA.	0J15011B0000	
34			
35			
36			
37			
38			
39			
40			

Note: As for parts with mark @, please follow our instructions on Table of Contents in your parts order.

(SQ11)

FRAMING 2



FRAMING 2

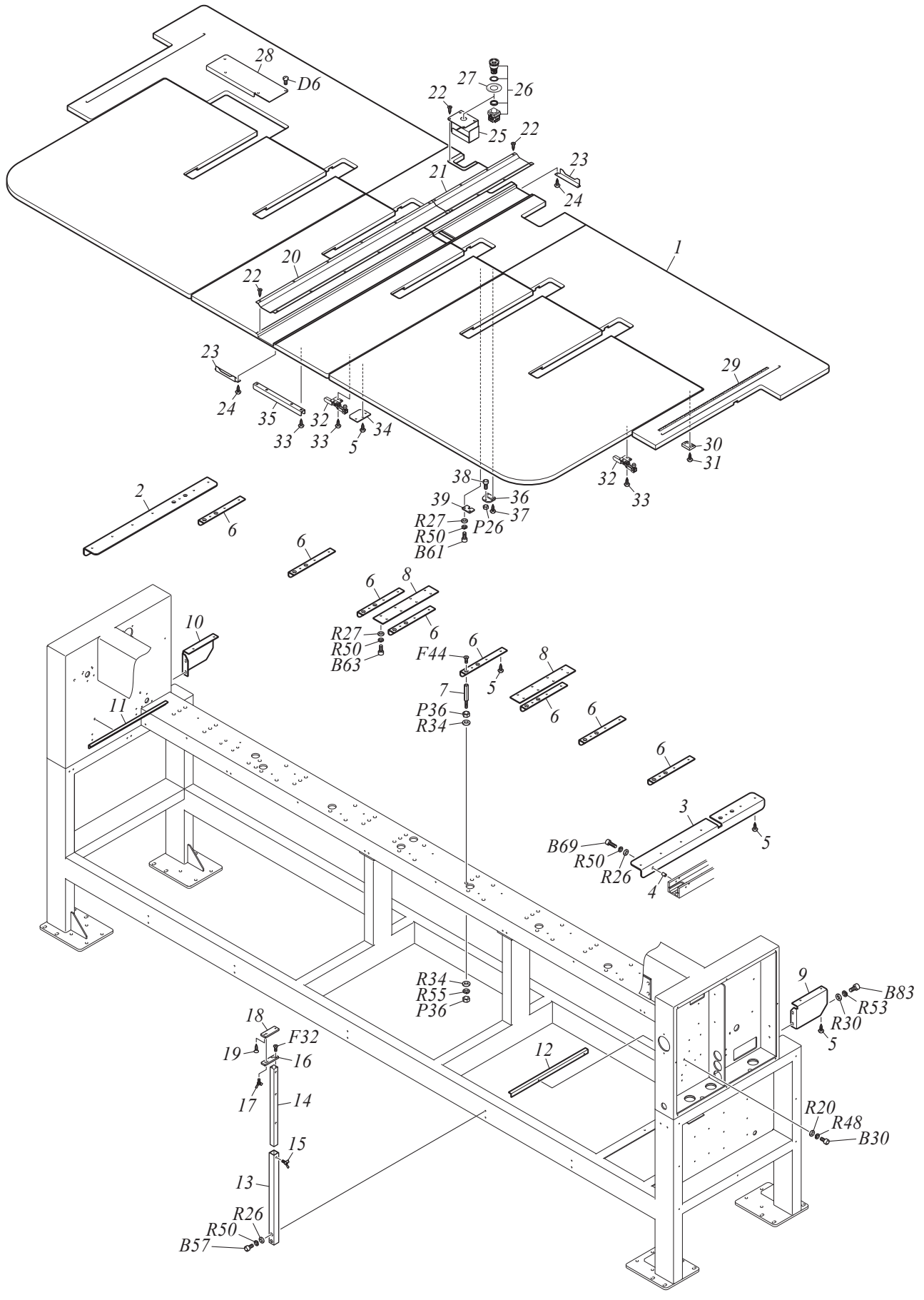
A3-1-2

No.	Part Name	Part No.	Remark
1	WIRING COVER :SIDE :R	1BG00001R000	
2	WIRING COVER :0002/500S	1BG25001@000	2H500P
2	WIRING COVER :0004/360S	1BG43901@000	4H360P
3	WIRING COVER :A	1BG@@@01@000	
4	WIRING COVER :B	1BG@@@02@000	
5	STUD :NO.1 :M6-116	505106090010	
6	LID :WIRING	030490010000	
7	WIRING COVER :A :0008/500S	1BG85001@000	
8	WIRING COVER :B :0008/500S	1BG85002@000	
9	WIRING COVER :C :0008/500S	1BG85003@000	
10	WIRING HOLDER :0002/500S	1C225001@000	2H500P
10	WIRING HOLDER :0004/360S	1C243901@000	4H360P
11	WIRING HOLDER :A	1C2@@@01@000	
12	WIRING HOLDER :B	1C2@@@02@000	
13	BRACKET :WIRING HOLDER	030110350000	
14	COVER HOLDER	030490020000	
15	WIRING HOLDER :A :0008/500S	1C285001@000	
16	WIRING HOLDER :B :0008/500S	1C285002@000	
17	WIRING HOLDER :C :0008/500S	1C285003@000	
18	WIRING HOLDER :FRONT	080450010000	
19	STEPPED SCREW :NO.1 :M4*6.7	512104100040	
20	WIRING HOLDER :REAR	080450020000	
21	DUCT :WIRING	08045003@000	
22	LAMP :LED LIGHT :16W	0J7101800000	Option
23	BASE :LED LAMP	0J1701800000	Option
24	STUD :NO.1 :M5-14.5	505105450000	Option
25	STAY :WIRING	0F4160360010	
26			
27			
28			
29			
30			
31			
32			
33			
34			
35			
36			
37			
38			
39			
40			
41			
42			
43			
44			
45			
46			
47			
48			

Note: As for parts with mark @, please follow our instructions on Table of Contents in your parts order.

(TP02)

TABLE



TABLE

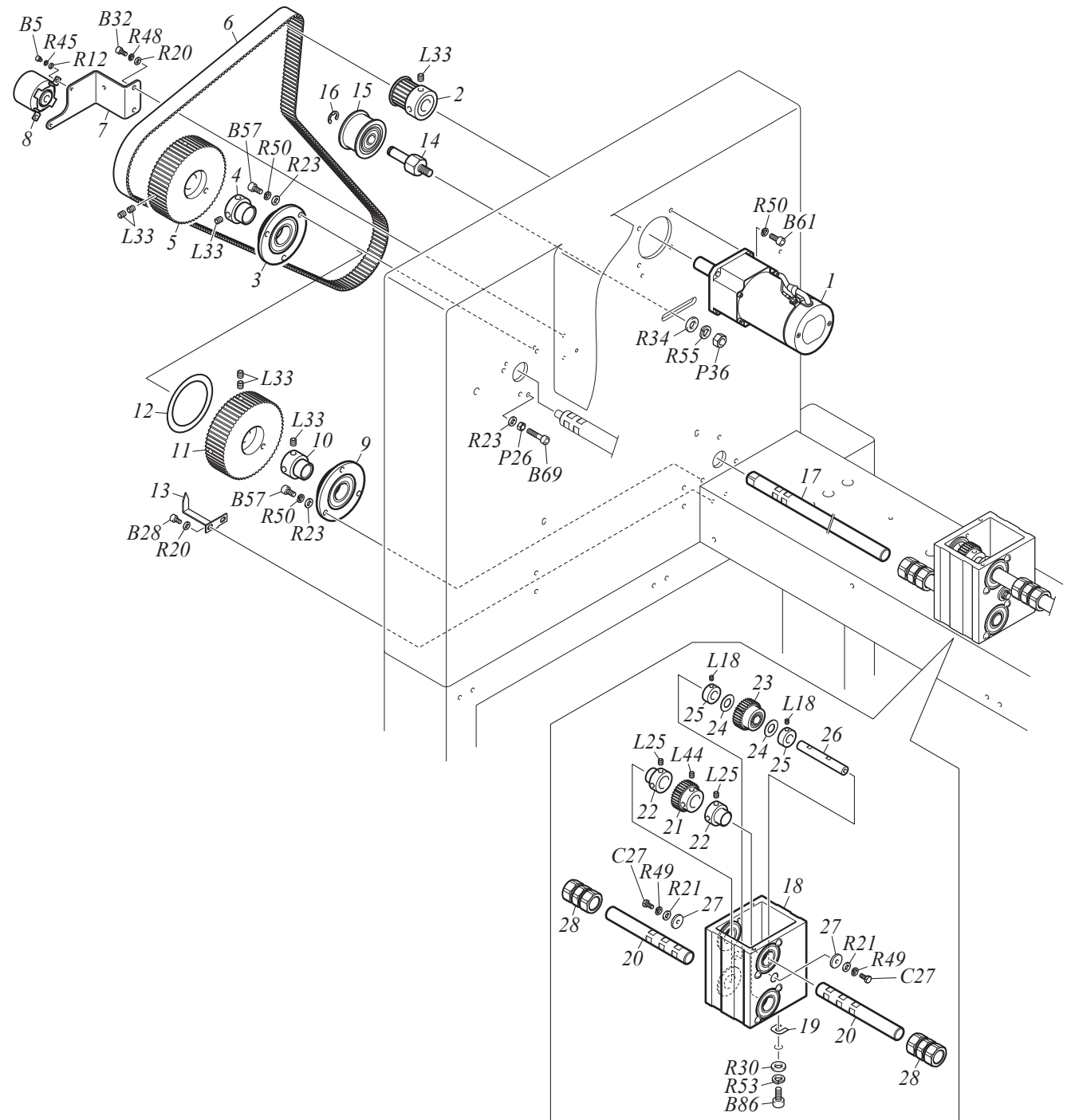
A3-2

No.	Part Name	Part No.	Remark
1	TABLE	2A3@@@010000	
2	TABLE SUPPORT :NO.12 :L	15121014@000	
3	TABLE SUPPORT :NO.12 :R	15121015@000	
4	COLLAR :NO.1 :6MM DIA.	502506100000	
5	TRUSS HEAD TAPPING SCREW :4P*18	S530041801SD	
6	TABLE SUPPORT :NO.12	15121004@050	
7	STUD :NO.1 :M8*35	505108160000	
8	JOINT :TABLE	152140100020	
9	TABLE SUPPORT :NO.12 :L	15121005A050	
10	TABLE SUPPORT :NO.12 :R	15121005B050	
11	TABLE HOLDER :L	15213013L000	
12	TABLE HOLDER :R	15213013R000	
13	HOLDER :TABLE STAY	030540010000	
14	STAY :TABLE[S]	030540020S10	
15	WING BOLT :M6*L20	S180062001SD	
16	BRACKET :TABLE STAY	030390170010	
17	WING BOLT :M6*L10	S180061001SD	
18	BASE :TABLE STAY	030390160010	
19	COUNTERSUNK TAPPING SCREW :4P*20	S550042001SD	
20	Y-AXIS FEED GUIDE :FRONT	0F3290300000	4H500P, 6H, 8H
21	Y-AXIS FEED GUIDE :REAR	0F3290310000	4H500P, 6H, 8H
22	COUNTERSUNK TAPPING SCREW :3P*12	S550031201MZ	
22	COUNTERSUNK TAPPING SCREW :3P*16	S550031601MZ	
23	COVER :Y-AXIS FEED GUIDE	0F3290330000	4H500P, 6H, 8H
24	TRUSS HEAD TAPPING SCREW :4P*12	S530041201SD	
25	BRACKET :EMERGENCY STOP	134290160000	
26	SWITCH :EMERGENCY STOP[A]	0J0603900A00	
27	NAME PLATE :EMERGENCY STOP SWITCH	0J5100600000	
28	TABLE COVER :ATH BOX	134240130000	
29	TRAVERSE SCALE	0P1200020000	
30	STOPPER :TABLE	030620030020	
31	TRUSS HEAD TAPPING SCREW :4P*25	S530042501SD	
32	TOGGLE CLAMP :GY1001	615500030001	
33	TRUSS HEAD TAPPING SCREW :4P*16	S530041601SD	
34	TABLE ALIGNING PLATE	152130050000	4H, 6H, 8H
35	REINFORCING PLATE :TABLE	030620070000	4H500P, 6H, 8H
35	REINFORCING PLATE :TABLE :B	03062007B000	6H360P, 8H360P: Back side
36	BASE :POSITIONING :TABLE :NO.1	030620080000	4H500P, 6H, 8H
37	TRUSS HEAD TAPPING SCREW :4P*20	S530042001SD	
38	HEXAGON SOCKET HEAD CAP SCREW :LOW HEAD :M5*8	S120050803TD	4H500P, 6H, 8H
39	BASE :POSITIONING :TABLE :NO.2	030620090000	4H500P, 6H, 8H
40			
41			
42			
43			
44			
45			
46			
47			
48			

Note: As for parts with mark @, please follow our instructions on Table of Contents in your parts order.

(SQ11)

MAIN SHAFT DRIVE SYSTEM



MAIN SHAFT DRIVE SYSTEM

A3-3

No.	Part Name	Part No.	Remark
1	SERVO MOTOR :MAIN SHAFT	0J6301900000	
2	TIMING PULLEY[S]	501441030S00	
3	BEARING CASE :NO.2 :22MM DIA.[S]	508222020S00	
4	BEARING COLLAR :18MM DIA.	502718010010	
5	TIMING PULLEY :A :W20-60	50144601A000	
6	TIMING BELT :MAIN SHAFT :A	625400220000	2H, 4H, 6H360P
6	TIMING BELT :MAIN SHAFT :B	625400230000	6H500P, 8H
7	BRACKET :ENCODER	040320080000	
8	ROTARY ENCODER	0J4204300000	
9	BEARING CASE :NO.2 :20MM DIA.[S]	508220060S00	
10	BEARING COLLAR :15MM DIA.	502715040010	
11	TIMING PULLEY :B :W20-60	50144601B010	
12	ANGLE INDICATOR	040420230010	
13	POINTER	040410100010	
14	ROLLER SCREW WITH PIN :NO.3 :M8	514308140000	
15	FLAT PULLEY :40MM DIA.[S]	501902050S00	
16	E-RING :7MM DIA.	611100100000	
17	BASE SHAFT :ROTARY HOOK :360P	040130230000	
17	BASE SHAFT :ROTARY HOOK :500P	040130240000	
18	GEAR BOX :REGULAR ROTARY HOOK[S]	040130220S00	
19	SPACER :NO.3 :T0.1-1	51030006@000	
20	SHAFT :GEAR BOX	040130190000	
21	SPUR GEAR :32T	506132030000	
22	BEARING COLLAR :15MM DIA.	502715080000	
23	SPUR GEAR :32T[S]	506132020S00	
24	RULON WASHER :TW-1020	638400090000	
25	STOPPER COLLAR :10MM DIA.	502110070000	
26	BASE SHAFT :ROTARY HOOK	040130020000	
27	PLAIN WASHER :4.2*16*T2.3	519106010000	
28	N-COUPLING :N-15-15	504715010000	
29			
30			
31			
32			
33			
34			
35			
36			
37			
38			
39			
40			
41			
42			
43			
44			
45			
46			
47			
48			

Note: As for parts with mark @, please follow our instructions on Table of Contents in your parts order.

(TP02)

CYLINDER BED

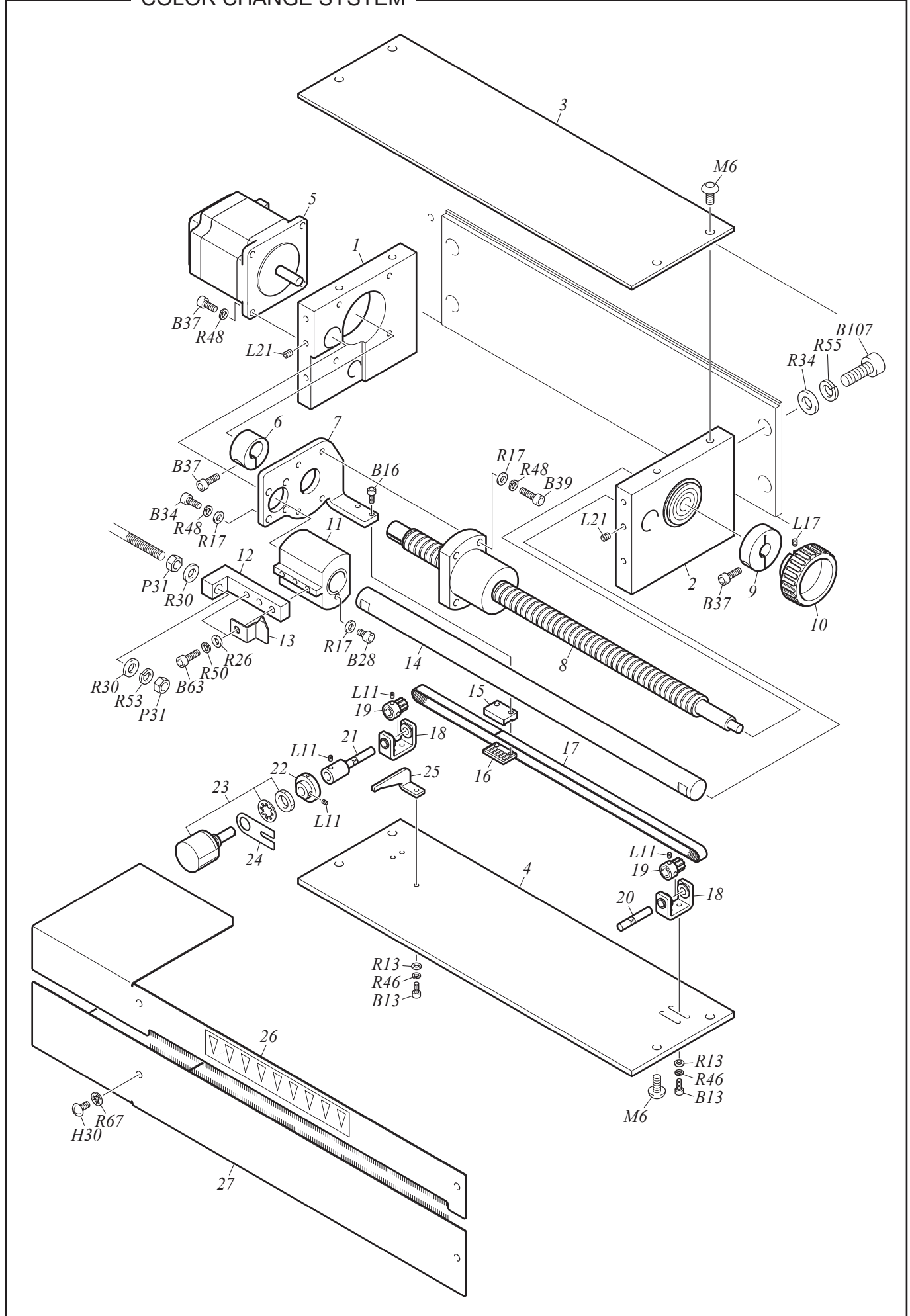
A3-4

No.	Part Name	Part No.	Remark
1	CYLINDER BED[S]	050120090S00	
2	ROTARY HOOK BASE STUD	050310110000	
3	BEARING COLLAR :15MM DIA.	502715080000	
4	SPIRAL BEVEL GEAR :NO.1 :28T	506528030000	
5	SPIRAL BEVEL GEAR :NO.1 :14T	506514030000	
6	PLAIN WASHER :7.94*19*T0.8	519108030000	
7	STOPPER COLLAR :7.94MM DIA.	502107020000	
8	SHAFT :ROTARY HOOK :7.94MM DIA.	050330430000	
9	NEEDLE PLATE BRACKET[S]	050330640S00	
10	SPRING PIN :3*12	611400080000	
11	ROTARY HOOK SUPPORT	050330660000	
12	ROTARY HOOK :KHS12-RYPTFSOE	050230090010	
13	ROTARY HOOK SET SCREW :11/64*7.2	050290020000	
14	BOBBIN :REGULAR ROTARY HOOK	050260010020	
15	BOBBIN CASE :REGULAR ROTARY HOOK :STANDARD	050240150000	
16	LEVER SHAFT :KNIFE[S]	050321510S00	
17	E-RING :4MM DIA.	611100070000	
18	THREAD SEPARATING PLATE :DIRECT MOVEMENT 2-BLADE TYPE	050320930000	
19	MOVABLE KNIFE :DIRECT MOVEMENT 2-BLADE TYPE	050320920000	
20	FIXED KNIFE :DIRECT MOVEMENT 2-BLADE TYPE	050321520000	
21	UNDER THREAD PRESSER	050321530000	
22	CONNECTING PLATE :KNIFE[S]	050321540S00	
23	LEVER SHAFT :KNIFE CONNECTING PLATE[S]	050320850S20	
24	LEVER :KNIFE CONNECTING PLATE SHAFT	050321000000	
25	BASE :SOLENOID[A]	050321450A00	
26	RUBBER PACKING	050321560000	
27	CORD CLAMP	644100040000	
28	STEPPED SCREW :NO.1 :M2.5*6	512130010010	
29	CONNECTING PLATE :PICKER	050321480000	
30	E-RING :2MM DIA.	611100050000	
31	PICKER[S]	050321470S10	
32	HOLDER :PICKER	050321490000	
33	STOPPER :PICKER	050320700000	
34	PLATE SPRING :ROTARY HOOK COVER :T0.3	507802060000	
35	STRAIGHT PIN :NO.1 :3MM DIA.	503101100000	
36	ROTARY HOOK COVER[S]	050330680S00	
37	COVER :NEEDLE PLATE BRACKET	050330670000	
38	NEEDLE PLATE	05034055@000	
39	HEXAGON SOCKET HEAD COUNTERSUNK SCREW :M4*8	S125040801SD	
40	COVER :CYLINDER BED :FRONT	050330690000	
41	COVER :CYLINDER BED	050330350010	
42	R. H. BASE CONNECTING SHAFT	QA2@@@@@0000	
43	N-COUPLING :N-15-15	504715010000	
44			
45			
46			
47			
48			
49			
50			

Note: As for parts with mark @, please follow our instructions on Table of Contents in your parts order.

(SQ11)

COLOR CHANGE SYSTEM



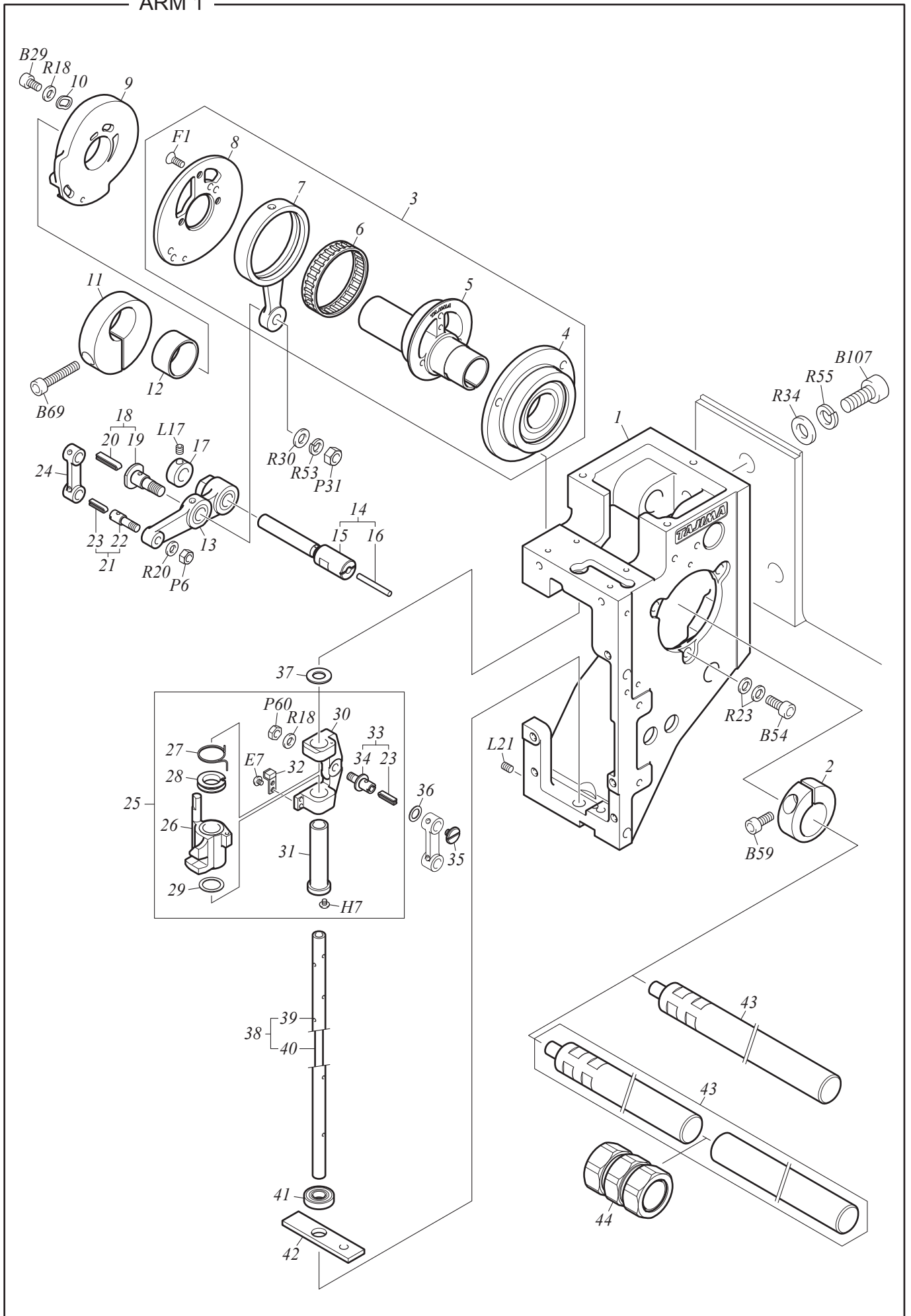
COLOR CHANGE SYSTEM

A3-5

No.	Part Name	Part No.	Remark
1	SIDE BASE :CHANGE :L	07041001@000	
2	SIDE BASE :CHANGE :R[S]	07041002@S00	
3	JOINT PLATE :CHANGE :UPPER :15-NEEDLE	07041006@000	
4	JOINT PLATE :CHANGE :LOWER	07041004@000	
5	PULSE MOTOR :56 SQUARE 54L :WITH SENSOR[A]	0J6110400A00	
6	TIGHTENING COLLAR :12MM DIA.	502212020000	
7	BASE :BALL SCREW	070420020000	
8	BALL SCREW :CHANGE :15-NEEDLE	07032012X000	
9	TIGHTENING COLLAR :10MM DIA.	502210040000	
10	KNOB :C	08052001C010	
11	DRIVE BLOCK[S]	070420070S00	
12	JOINT BLOCK :CHANGE ROD	070420080000	
13	POINTER :CHANGE DEVICE	070430100000	
14	GUIDE SHAFT :15-NEEDLE	07042001X000	
15	BELT PRESSER PLATE :S3M-W6MM	070420040000	
16	BELT CATCHER :S3M	0L0350310000	
17	TIMING BELT :SPTG :W6-S3M0552/G	621190060000	
18	BEARING CASE :TIMING PULLEY :B[S]	070320020S00	
19	TIMING PULLEY :W6-10	501221010000	
20	STRAIGHT PIN :NO.2	503102190010	
21	STEPPED PIN :NO.2	503202050010	
22	KNOB :CLUTCH LEVER	080310170000	
23	POTENTIOMETER	640900010001	
24	BRACKET :POTENTIOMETER	0C0420020010	
25	GUIDE PLATE :POTENTIOMETER	070420050000	
26	COVER :CHANGE :UPPER[S]	07043008@S00	
27	COVER :CHANGE :LOWER[S]	070430090S00	
28			
29			
30			
31			
32			
33			
34			
35			
36			
37			
38			
39			
40			
41			
42			
43			
44			
45			
46			
47			
48			
49			
50			

Note: As for parts with mark @, please follow our instructions on Table of Contents in your parts order.

(SQ11)



ARM 1

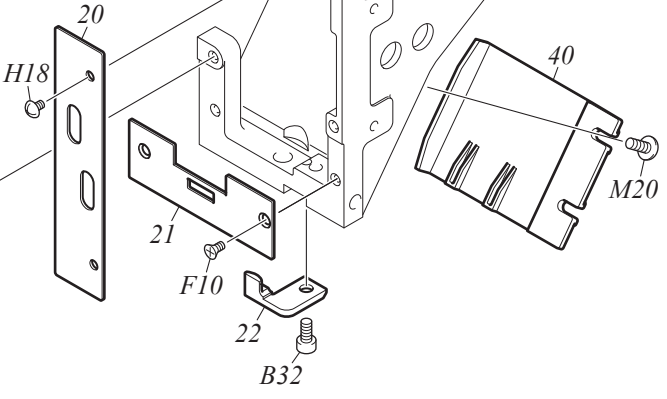
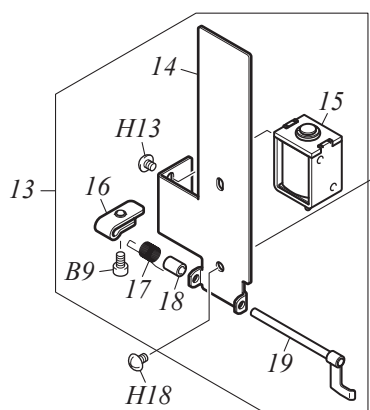
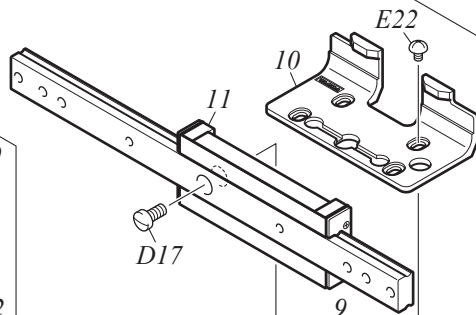
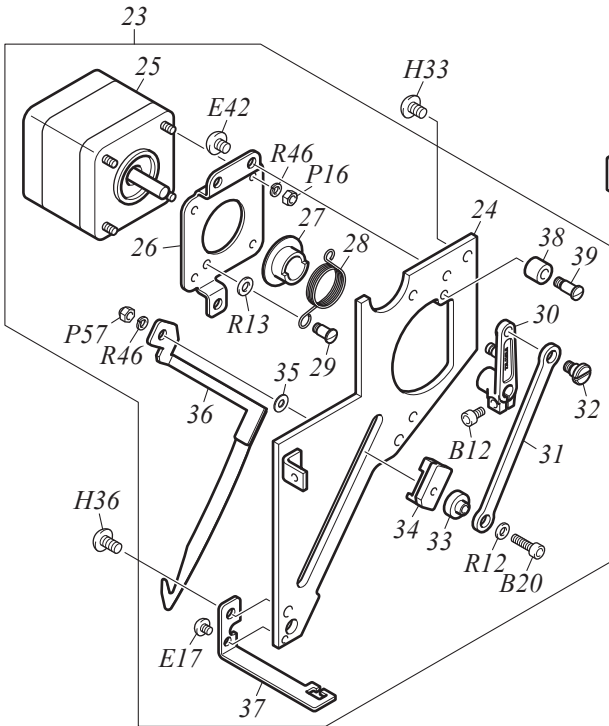
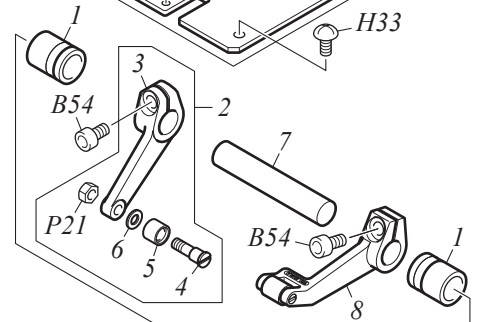
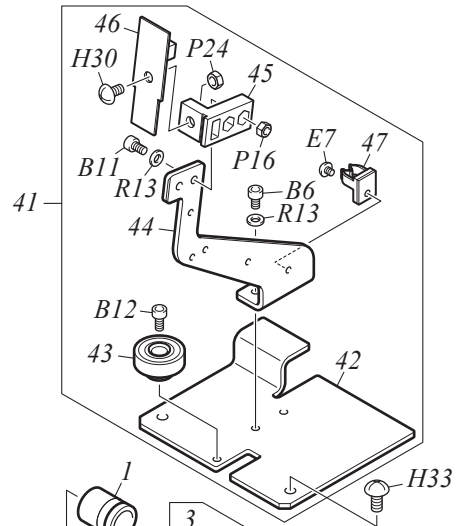
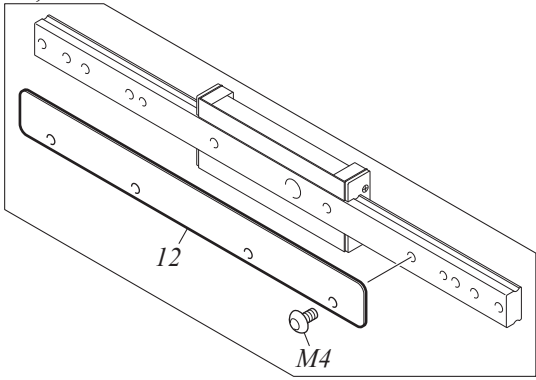
A3-6-1

No.	Part Name	Part No.	Remark
1	HEAD	080120040000	
2	TIGHTENING COLLAR :21MM DIA.	502221010010	
3	CAM :NEEDLE BAR[A]	080220010A00	
4	BEARING CASE :NO.2 :22MM DIA.[S]	508222010S00	
5	CAM :NEEDLE BAR	080220010000	
6	NEEDLE CAGE :KT404310NE01B2	634400070001	
7	CONNECTING ROD :51.7	080220040000	
8	BASE :TAKE-UP LEVER CAM	080220400000	
9	CAM :TAKE-UP LEVER :M6 :REGULAR ROTARY HOOK	080220430000	
10	WASHER :CAM	080220180000	
11	BALANCER :HEAD	080290310000	
12	SPACER :BALANCER	080290320000	
13	LEVER :NEEDLE BAR[S]	080230390S00	
14	STEPPED PIN :NO.4[S]	503204070S00	
15	STEPPED PIN :NO.4	503204070000	
16	WICK :3P*61	080240230000	
17	STOPPER COLLAR :8MM DIA.	502108020010	
18	STEPPED SCREW :NO.2 :M6*13[S]	512206010S10	
19	STEPPED SCREW :NO.2 :M6*13	512206010010	
20	WICK :3.5*1*34	080240140000	
21	SCREW WITH PIN :NO.3 :11/64-7.7[A]	513354020A10	
22	SCREW WITH PIN :NO.3 :11/64-7.7	513354020010	
23	WICK :2.5*1*22	080240120010	
24	CONNECTING ROD :26	080230010000	
25	NEEDLE BAR RECIPROCATOR[A]	9A0804200A00	
26	NEEDLE BAR RECIPROCATOR[S]	9A0804000S00	
27	TORSION SPRING :0.7MM DIA.	507307010010	
28	HOLDER :JUMP SPRING	080210110010	
29	PLAIN WASHER :10.3*14*T0.5	519112010000	
30	RECIPROCATING SLIDE BLOCK	080210660000	
31	PLASTIC BUSHING :NO.2 :7.24MM DIA.	509472050010	
32	DAMPER BRACKET :NEEDLE BAR RECIPROCATOR	080210090000	
33	SCREW WITH PIN :NO.3 :11/64-7.9[A]	513354060A20	
34	SCREW WITH PIN :NO.3 :11/64-7.9	513354060020	
35	FLAT FILLISTER HEAD SCREW :9/64*4	511153010010	
36	PLAIN WASHER :6*9.5*T0.05-0.5	51910604@020	
37	FELT :14MM DIA.	080240060000	
38	NEEDLE BAR DRIVE SHAFT :AUTOMATIC LUBRICATION[S]	0L0210030S00	
39	NEEDLE BAR DRIVE SHAFT :AUTOMATIC LUBRICATION	0L0210030000	
40	WICK :3.5P*183	080240020010	
41	GUIDE :NEEDLE BAR CASE[S]	080250170S20	
42	FELT :NEEDLE BAR DRIVE SHAFT	080240270000	
43	MAIN SHAFT	QA3@@@@@0000	
44	N-COUPLING :N-18-18	504718010000	
45			
46			
47			
48			
49			
50			

Note: As for parts with mark @, please follow our instructions on Table of Contents in your parts order.

(SQ11)

12, 15-Needle



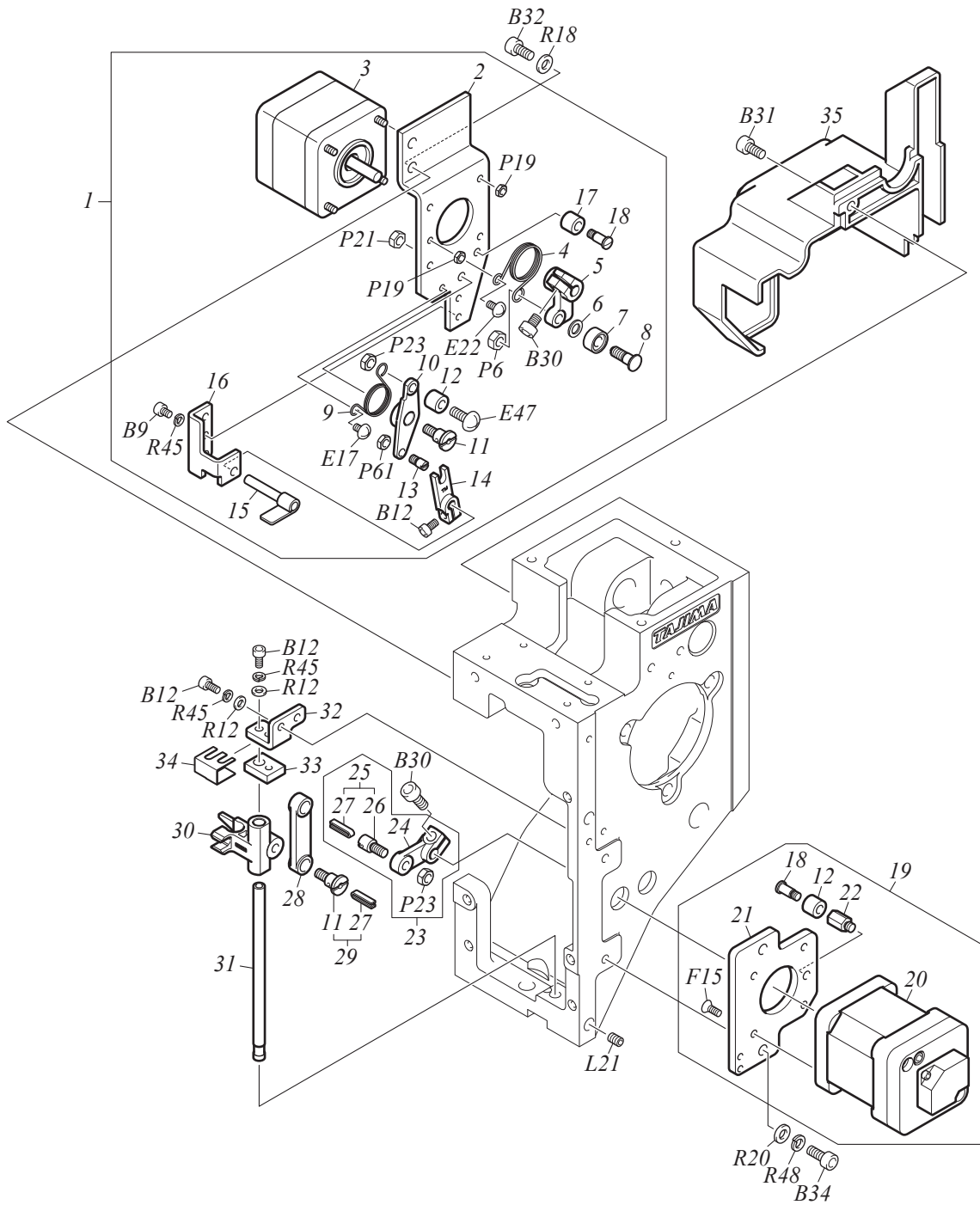
ARM 2

A3-6-2

No.	Part Name	Part No.	Remark
1	BEARING BUSHING :NO.1 :10MM DIA.	509510020000	
2	LEVER :TAKE-UP LEVER[S]	080230380S00	
3	LEVER :TAKE-UP LEVER	080230380000	
4	STEPPED SCREW :NO.1 :M4*5.3	512104160020	
5	ROLLER :5*8*5	515105020010	
6	PLAIN WASHER :4*7.5*T0.8	519104060000	
7	STRAIGHT PIN :NO.1 :10MM DIA.	503101580000	
8	ARM :TAKE-UP LEVER[S]	080230270S00	
9	LID :TAKE-UP LEVER SHAFT HOLDER :15.3MM DIA.	080290270000	
10	TAKE-UP LEVER GUIDE	080250210000	
11	LINEAR WAY :NEEDLE BAR CASE	08025004@000	
12	REINFORCING PLATE	08025005@000	
13	HEAD FRONT COVER :L[A]	08042030LA00	
14	HEAD FRONT COVER :L	08042030L000	
15	SOLENOID :OPEN FRAME	640600121001	
16	LEVER :SOLENOID	080270010010	
17	TORSION SPRING :0.5MM DIA.	507305020020	
18	COLLAR :NO.1 :3.1MM DIA.	502505010000	
19	LEVER :DRIVE[S]	080270040S10	
20	HEAD FRONT COVER :R	08042031R000	
21	GUIDE PLATE :NEEDLE BAR CASE	080250220000	
22	GUIDE BRACKET :NEEDLE BAR CASE	080250200000	
23	UPPER THREAD HOLDER[A]	0B0110740A00	
24	SIDE COVER :HEAD :LOWER	080430220000	
25	PULSE MOTOR :42MM SQUARE :DOUBLE-END[T]	0J6110700T10	
26	BASE :HOOK MOTOR	0B0110420000	
27	COLLAR :SPRING GUIDE	502522010010	
28	TORSION SPRING :0.8MM DIA.	507308190010	
29	STEPPED SCREW :NO.1 :9/64*7.5	512153040000	
30	LEVER :HOOK	0B0110470000	
31	CONNECTING PLATE :HOOK	0B0110080010	
32	STEPPED SCREW :NO.1 :M4*6.7	512104100040	
33	SPACER :SLIDE HOOK	0B0110370010	
34	SLIDE :HOOK	0B0110510000	
35	WASHER :2.6*7*T0.5	519204010000	
36	HOOK[S]	0B0110650S10	
37	GUIDE :HOOK	0B0110520020	
38	DAMPER RING :4MM DIA.	080320410000	
39	STEPPED SCREW :NO.1 :9/64*10	512153020000	
40	COVER :HOOK	0B0120050000	
41	BASE :BEARING[S]	080290330S00	
42	BASE :BEARING	080290330000	
43	ROLLER PIN[S]	080290040S10	
44	SENSOR ARM	0C0230330000	
45	BASE :CARD	0C0230340000	
46	CARD :TC SENSOR :MAGNETIC TYPE	0J2603000000	
47	MINI CLAMP :MB-3	644100200000	
48			
49			
50			

Note: As for parts with mark @, please follow our instructions on Table of Contents in your parts order.

(TP04)



ARM 3

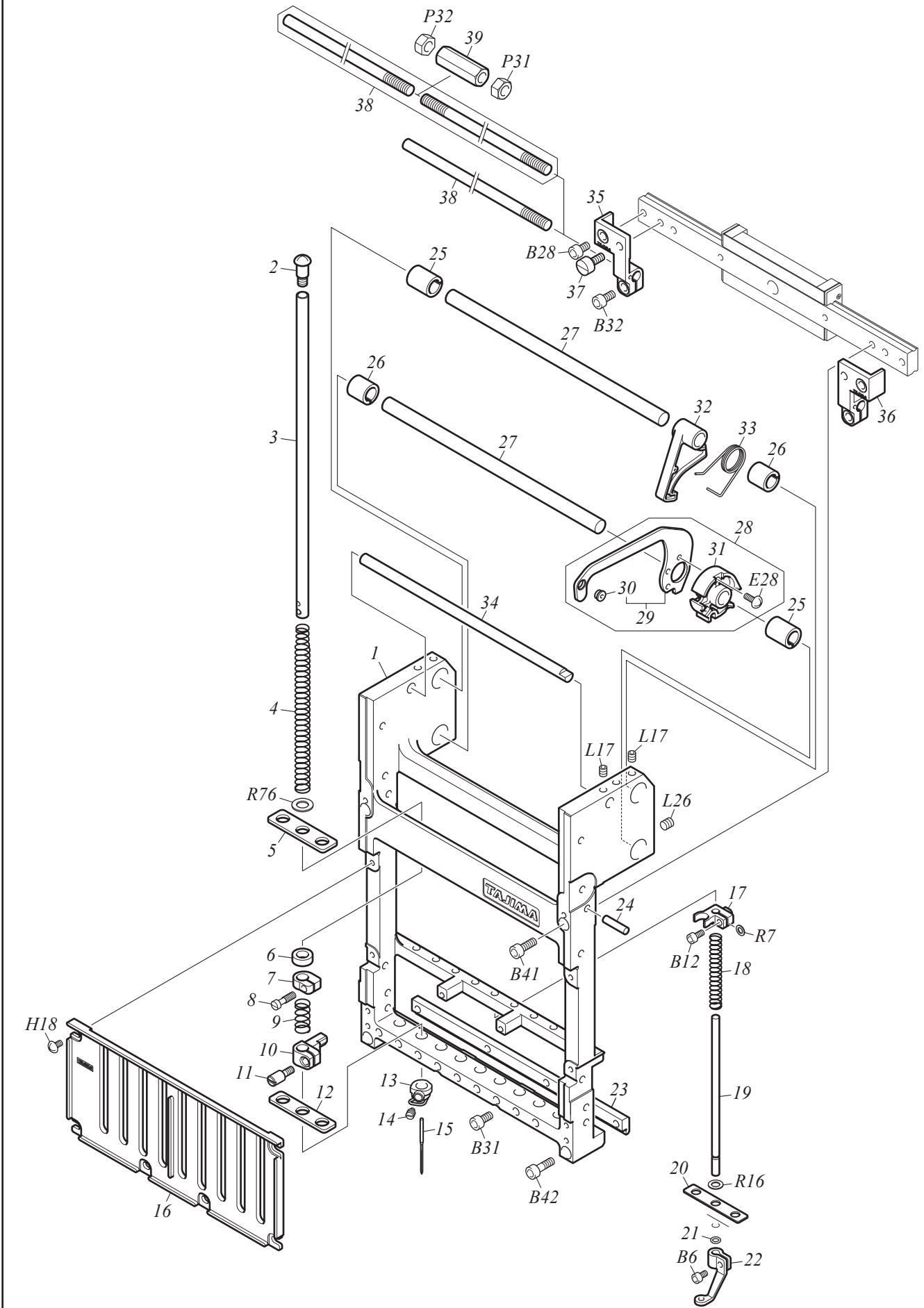
A3-6-3

No.	Part Name	Part No.	Remark
1	JUMP[A]	080320700A10	
2	BRACKET :JUMP MOTOR	080320640000	
3	PULSE MOTOR :42MM SQUARE :DOUBLE-END[T]	0J6110700T10	
4	TORSION SPRING :0.9MM DIA.	507309040020	
5	LEVER :JUMP	080320420010	
6	WASHER :4.8*8*T0.8	S301040801KC	
7	ROLLER :4.7MM DIA.	515110010010	
8	STEPPED SCREW :NO.1 :11/64*8.2	512154010010	
9	TORSION SPRING :0.7MM DIA.	507307060000	
10	LEVER :CLUTCH :MIDDLE	080320690000	
11	STEPPED SCREW :NO.2 :M4*12.5	512204050000	
12	DAMPER RING :4MM DIA.	080320410000	
13	SCREW WITH PIN :NO.1 :9/64-4	513153060010	
14	LEVER :CLUTCH :REVERSING	080320670000	
15	LEVER :CLUTCH :DRIVE[S]	080320610S00	
16	BASE :CLUTCH	080320650000	
17	DURACON SPACER :C-406.5	614100270000	
18	STEPPED SCREW :NO.1 :9/64*10	512153020000	
19	PRESSER FOOT MOTOR[A]	0J6110900A00	
20	PULSE MOTOR :42MM SQUARE 44L :WITH SENSOR[A]	0J6110000A00	
21	BASE :PRESSER FOOT MOTOR	080210640000	
22	STUD :NO.1 :M4-8.5	505104250000	
23	LEVER :PRESSER FOOT[S]	080230360S00	
24	LEVER :PRESSER FOOT	080230360000	
25	SCREW WITH PIN :NO.3 :M4-5.5[A]	513304060A00	
26	SCREW WITH PIN :NO.3 :M4-5.5	513304060000	
27	WICK :2.5*1*22	080240120010	
28	CONNECTING ROD :PRESSER FOOT	080230340000	
29	STEPPED SCREW :NO.2 :M4*12.5[A]	512204050A00	
30	PRESSER FOOT RECIPROCATOR	080210610000	
31	SHAFT :PRESSER FOOT DRIVE	080210630000	
32	SHAFT HOLDER :PRESSER FOOT DRIVE	080210620000	
33	FELT :PRESSER FOOT SHAFT	080240280000	
34	FELT PRESSER :PRESSER FOOT SHAFT	080240290000	
35	HEAD COVER :L	080430290000	
36			
37			
38			
39			
40			
41			
42			
43			
44			
45			
46			
47			
48			
49			
50			

Note: As for parts with mark @, please follow our instructions on Table of Contents in your parts order.

(TP05)

NEEDLE BAR CASE 1



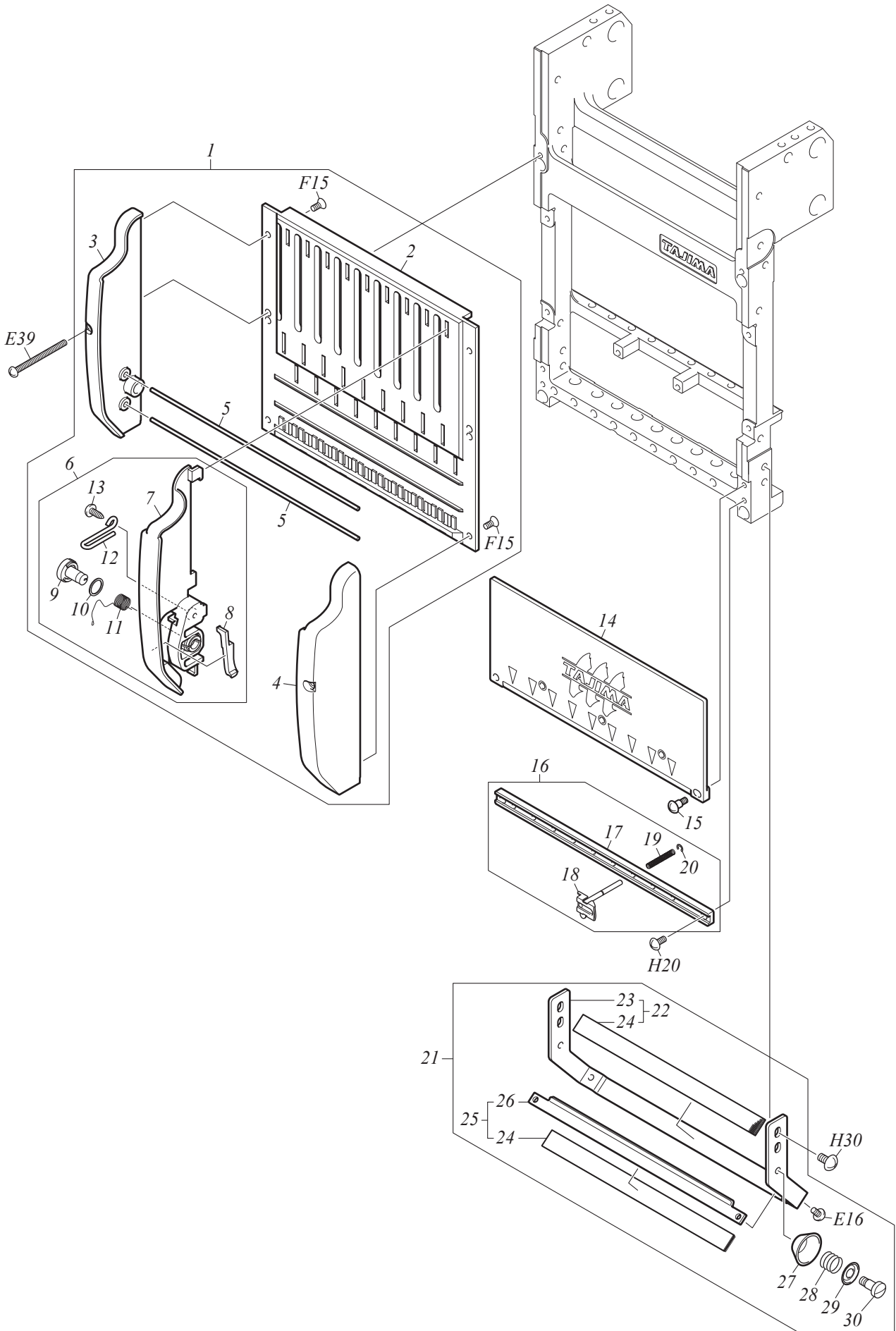
NEEDLE BAR CASE 1

A3-7-1

No.	Part Name	Part No.	Remark
1	NEEDLE BAR CASE	09012004@000	
2	SCREW :NEEDLE BAR	090410060000	
3	NEEDLE BAR	090410020010	
4	COMPRESSION SPRING :0.6MM DIA.	507606100000	
5	FELT PACKING	090430040000	
6	DAMPER RING :F	090430020010	
7	STOPPER :UPPER DEAD POINT	090420090000	
8	FLAT FILLISTER HEAD SCREW :9/64*12	SA41741201UN	
9	COMPRESSION SPRING :0.5MM DIA.	507605180000	
10	NEEDLE BAR CONNECTING STUD	090420060010	
11	SCREW WITH PIN :NO.1 :9/64-8	513153080000	
12	FELT :NEEDLE BAR	090430180000	
13	NEEDLE CLAMP[S]	090420010S70	
14	SLOTTED HEAD SET SCREW :11/64*6B	511754010010	
15	NEEDLE :DB-K5Z1 #11	616500080000	
16	NEEDLE BAR GUIDE	0904501@@000	
17	PRESSER FOOT CONNECTING STUD	090420130000	
18	COMPRESSION SPRING :0.4MM DIA.	507604060000	
19	PRESSER FOOT SHAFT	090460530010	
20	FELT :PRESSER FOOT	090430190000	
21	O-RING :SO-3-90	612200230000	
22	PRESSER FOOT :2MM DIA./3MM DIA.	09046034@000	
23	RAIL :CASE :LOWER	09044007@000	
24	PARALLEL PIN :4*16-H7	611200050000	
25	SPLIT COLLAR :NO.1 :8MM DIA.	502308010010	
25	SPLIT COLLAR :NO.1 :8MM DIA.	502308020010	15-Needle
26	SPLIT COLLAR :NO.2 :8MM DIA.	502408020010	
26	SPLIT COLLAR :NO.2 :8MM DIA.	502408010020	15-Needle
27	GUIDE SHAFT :TAKE UP LEVER	09033001@000	
28	TAKE-UP LEVER[A]	090310050A40	
29	TAKE-UP LEVER[S]	090310050S40	
30	THREAD GUIDE COLLAR :2MM DIA.	516503020010	
31	BOSS :TAKE-UP LEVER	090310040010	
32	LEVER :STOPPER	090320010000	
33	TORSION SPRING :1MM DIA.	507310040010	
34	SPRING HOOK BAR	09033002@000	
35	BRACKET :CHANGE ROD :L	08026001L000	
36	BRACKET :CHANGE ROD :R	08026001R000	
37	FLAT FILLISTER HEAD SCREW :M4*10	511104010010	
38	CHANGE ROD	QA3@@@@@000	
39	SCREW JOINT :M6	504506010010	
40			
41			
42			
43			
44			
45			
46			
47			
48			

Note: As for parts with mark @, please follow our instructions on Table of Contents in your parts order.

(TP04)



NEEDLE BAR CASE 2

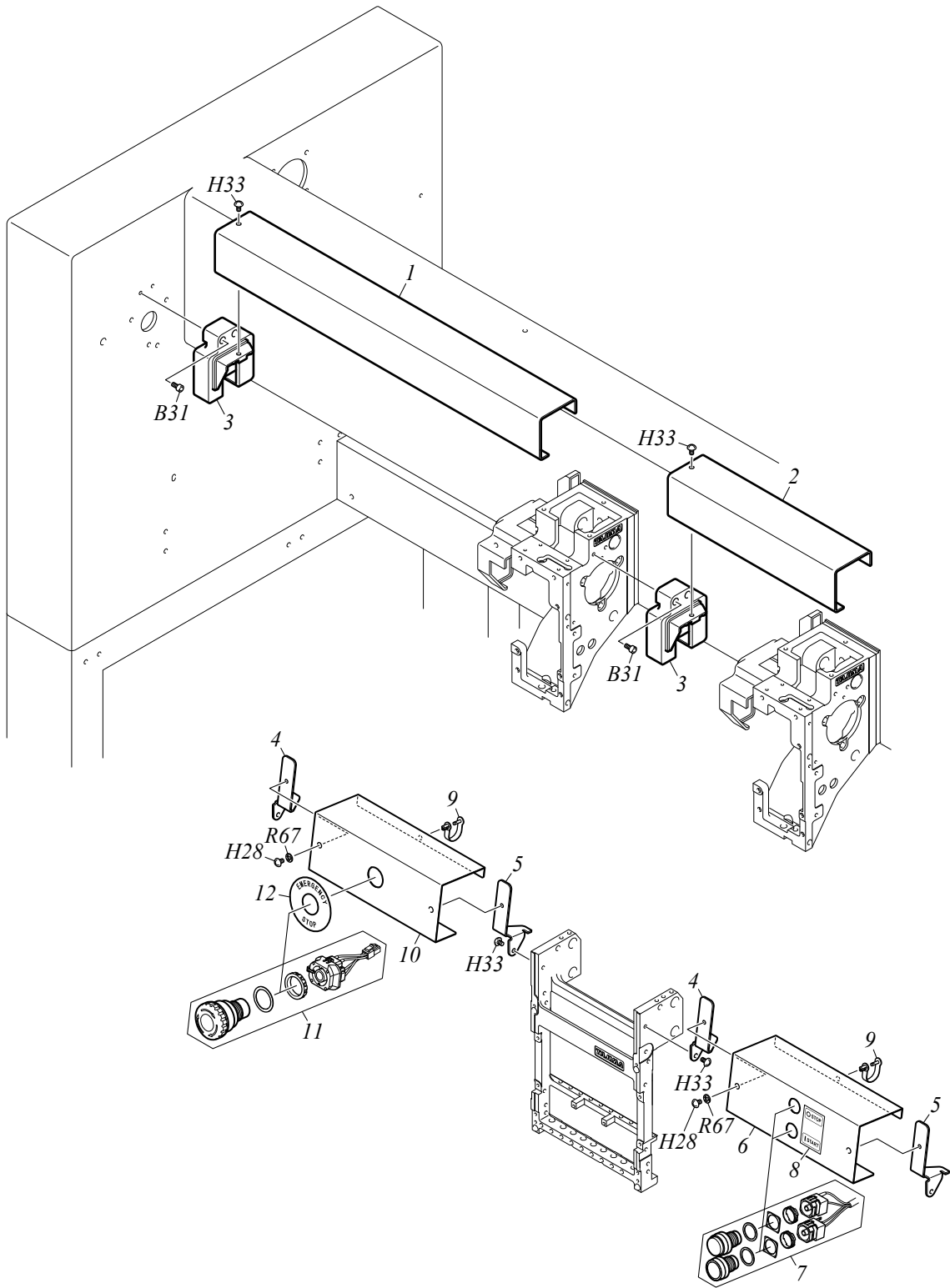
A3-7-2

No.	Part Name	Part No.	Remark
1	TOP COVER[A]	09053023@A00	
2	TOP COVER	09053023@000	
3	SIDE COVER :L	09053019L000	
3	SIDE COVER :L :15-NEEDLE	09053020L000	
4	SIDE COVER :R	09053019R000	
4	SIDE COVER :R :15-NEEDLE	09053020R000	
5	STRAIGHT PIN :2MM DIA.	09021054@000	
6	BASE :MIDDLE THREAD GUIDE :0.4MM DIA.[A]	090210511A00	
6	BASE :MIDDLE THREAD GUIDE :0.5MM DIA.[A]	090210512A00	Thick Thread
7	BASE :MIDDLE THREAD GUIDE	090210510000	
8	SIDE WALL PLATE :MIDDLE THREAD GUIDE	090210500000	
9	SPRING SHAFT :THREAD TAKE-UP SPRING	090210520000	
10	PLAIN WASHER :8*10*T0.5	519108110000	
11	THREAD TAKE-UP SPRING :NO.2 :0.4MM DIA.	507204030010	
11	THREAD TAKE-UP SPRING :NO.2 :0.5MM DIA.	507205030000	Thick Thread
12	LARGE THREAD HOLDER	090210530000	
13	TRUSS HEAD TAPPING SCREW :3P*12	S530031201SD	
14	FACE COVER :NEEDLE BAR CASE	09051018@000	
15	STEPPED SCREW :NO.1 :M3*9	512103120000	
16	UPPER THREAD LOCK[A]	08027005@A10	
17	BASE :UPPER THREAD LOCK	08027005@000	
18	LOCK SHAFT[S]	080270030S10	
19	COMPRESSION SPRING :0.3MM DIA.	507603040030	
20	E-RING :1.5MM DIA.	611100040000	
21	UPPER THREAD HOLDER[A]	0B020037@A00	
22	BASE :UPPER THREAD HOLDER[S]	0B020039@S00	
23	BASE :UPPER THREAD HOLDER	0B020039@000	
24	VELCRO	0B020038@000	
25	UPPER THREAD HOLDER[S]	0B020037@S00	
26	UPPER THREAD HOLDER	0B020037@000	
27	THREAD SUSPENDER DISK	0B0200050000	
28	COMPRESSION SPRING :0.3MM DIA.	507603020010	
29	PRESSER :THREAD SUSPENDER SPRING	0B0200060000	
30	STEPPED SCREW :NO.1 :9/64*7.5	512153040000	
31			
32			
33			
34			
35			
36			
37			
38			
39			
40			
41			
42			
43			
44			
45			
46			

Note: As for parts with mark @, please follow our instructions on Table of Contents in your parts order.

(TP04)

SHAFT COVER



SHAFT COVER

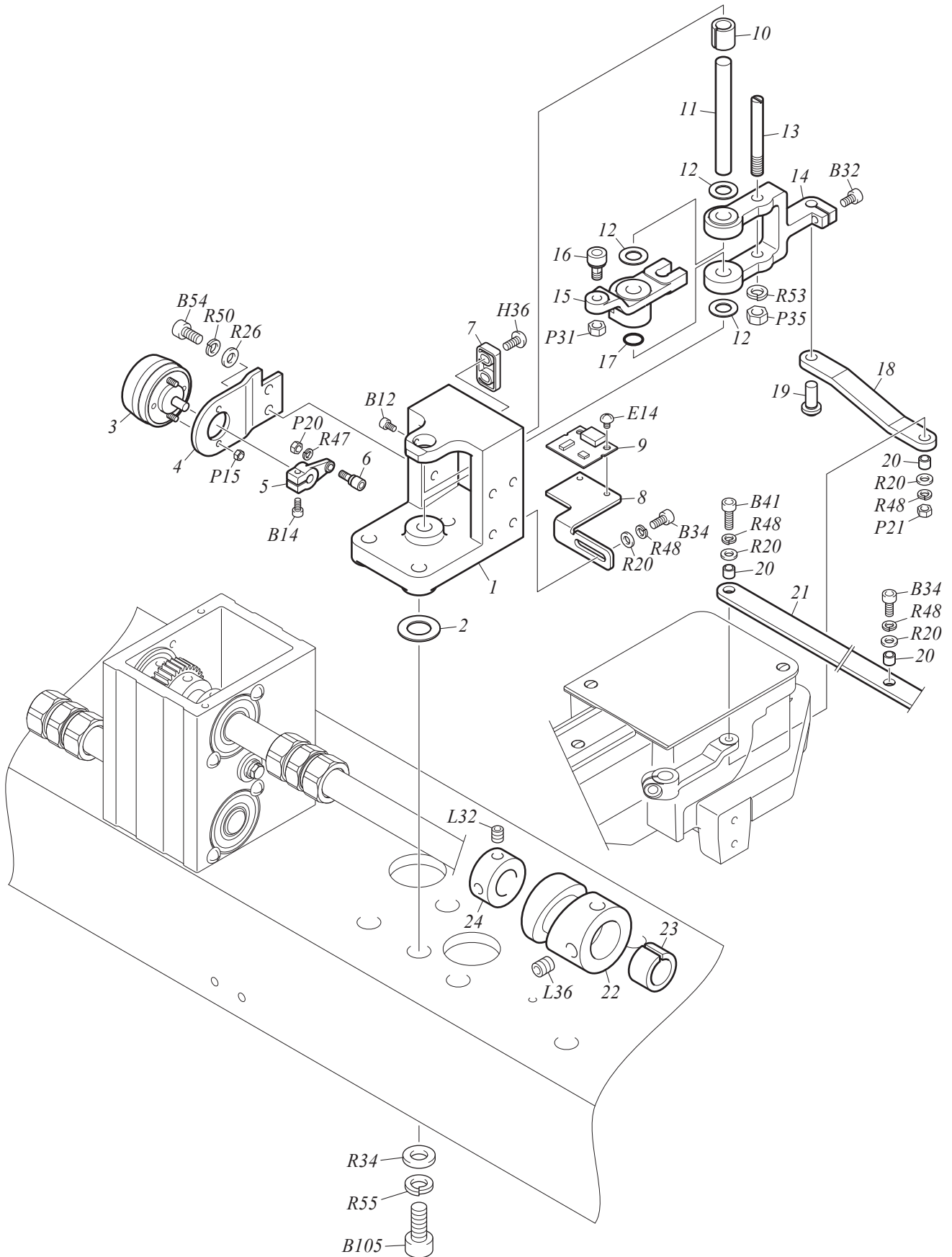
A3-8

No.	Part Name	Part No.	Remark
1	SHAFT COVER :LEFT-SIDE :360-500P	17013048@000	
2	SHAFT COVER :200P-	B303202@@000	
3	HEAD COVER :R[S]	080430300S00	
4	BRACKET :SWITCH BASE :L	17115002L000	
5	BRACKET :SWITCH BASE :R	17115002R000	
6	BASE :START/STOP SWITCH	17137@@@0000	
7	SWITCH :CYLINDER HEAD[A]	0J0603300A20	
8	LABEL :START/STOP SWITCH	644500160000	
9	SPEED CLAMP :NAD-06	644100210000	
10	BASE :EMERGENCY STOP SWITCH	17147@@@0000	
11	SWITCH :EMERGENCY STOP[A]	0J0603900A00	
12	NAME PLATE :EMERGENCY STOP SWITCH	0J5100600000	
13			
14			
15			
16			
17			
18			
19			
20			
21			
22			
23			
24			
25			
26			
27			
28			
29			
30			
31			
32			
33			
34			
35			
36			
37			
38			
39			
40			
41			
42			
43			
44			
45			
46			
47			
48			
49			
50			

Note: As for parts with mark @, please follow our instructions on Table of Contents in your parts order.

(TP04)

CAM DRIVE SYSTEM



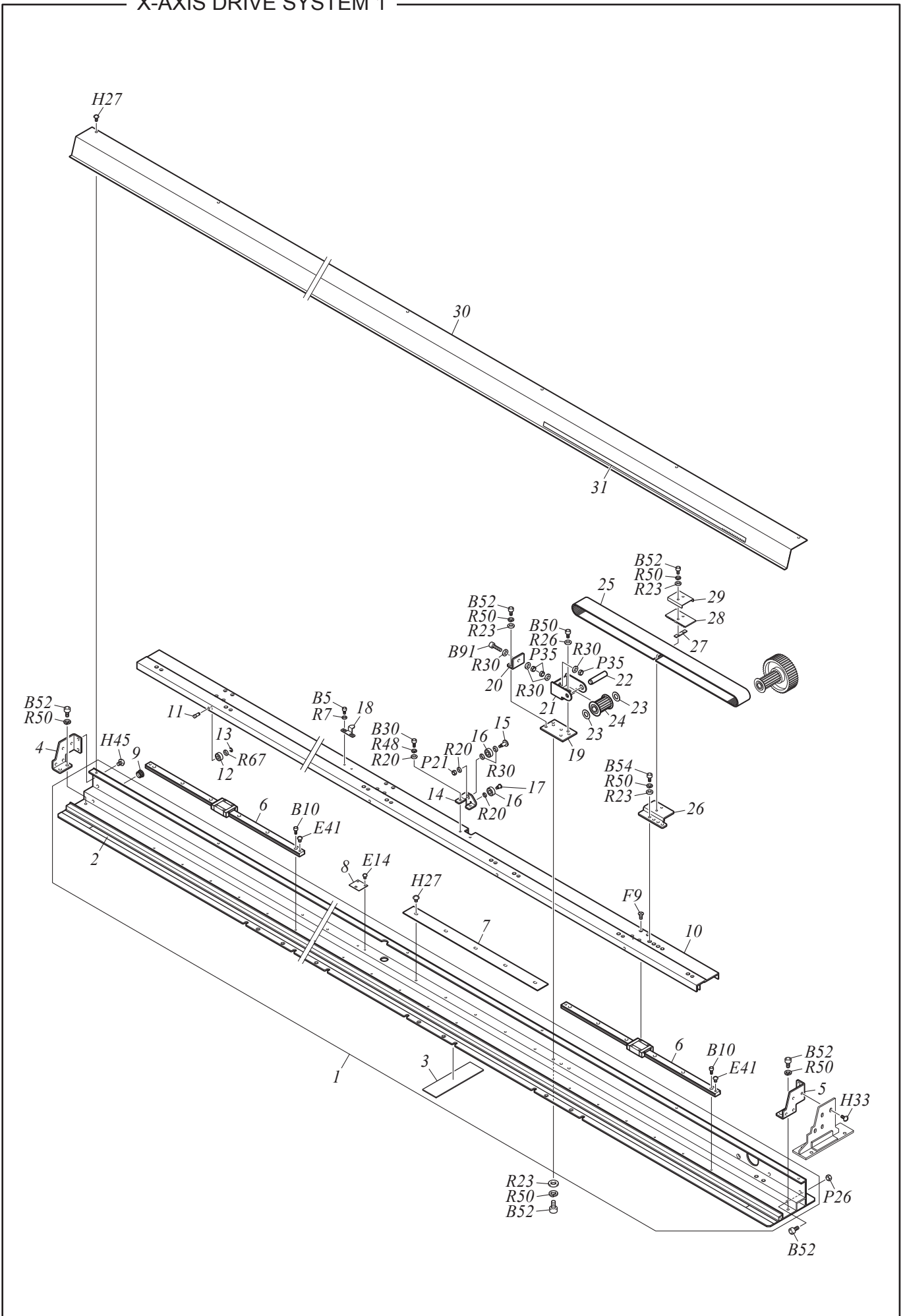
CAM DRIVE SYSTEM

A3-9

No.	Part Name	Part No.	Remark
1	BASE :ATH	0E011008@000	
2	PLAIN WASHER :12.5*22*T0.1-1	51911401@000	
3	SOLENOID :ROTARY	640600090011	
4	BRACKET :ATH SOLENOID	0E0210450010	
5	LEVER :ATH SOLENOID	0E0210570000	
6	SCREW WITH ROLLER PIN :NO.1[S]	514131010S10	
7	STOPPER :ATH CONNECTING PLATE ARM	0E0210540000	
8	BRACKET :RETRACTABLE SENSOR	0E0210630000	
9	CARD :MAGNETIC SENSOR A	0J4204400000	
10	SPLIT COLLAR :NO.2 :8MM DIA.	502408020010	
11	STRAIGHT PIN :NO.1 :8MM DIA.	503101190010	
12	PLASTIC WASHER :8.2*12*T0.5	519210010000	
13	SCREW WITH PIN :NO.4 :M6-36	513106010010	
14	ARM :ATH CONNECTING PLATE	0E0210420000	
15	LEVER :ATH CAM	0E0210400000	
16	ROLLER PIN[S]	514405020S00	
17	O-RING :P-8	612200060000	
18	CONNECTING PLATE :ATH ARM	0E0210170000	
19	MAGNET PIN[S]	0E0210680S10	
20	COLLAR :NO.1 :4.1MM DIA.	502541010000	
21	CONNECTING PLATE :ATH	0E02600@0000	2H, 4H, 6H360P, 8H500P
21	CONNECTING PLATE :ATH	05032052@000	6H500P, 8H360P
22	CAM :ATH	0E0210160010	
23	SPLIT COLLAR :NO.1 :15MM DIA.	502315020010	
24	STOPPER COLLAR :15MM DIA.	502115030000	
25			
26			
27			
28			
29			
30			
31			
32			
33			
34			
35			
36			
37			
38			
39			
40			
41			
42			
43			
44			
45			
46			
47			
48			
49			

Note: As for parts with mark @, please follow our instructions on Table of Contents in your parts order.

(TP05)



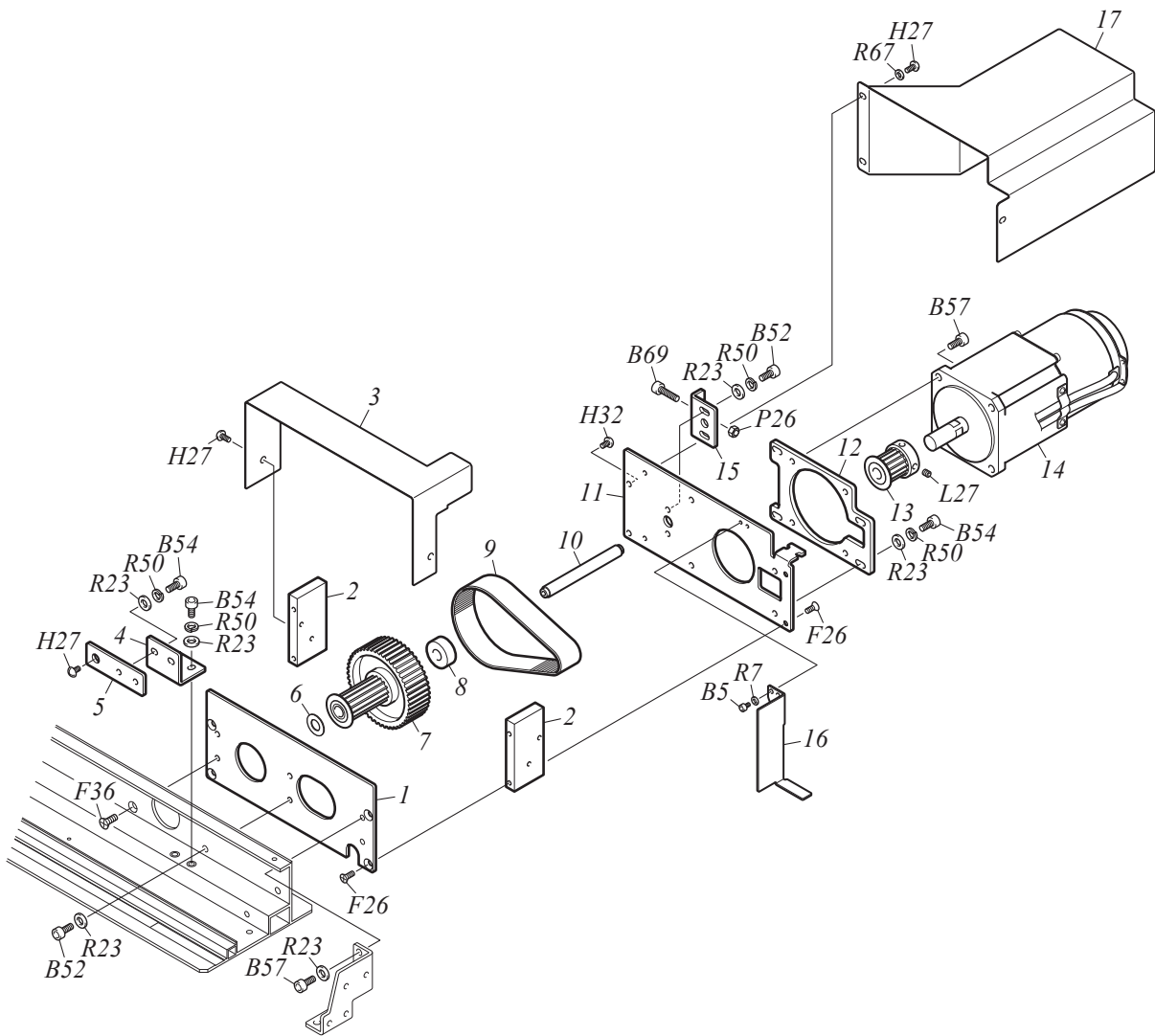
X-AXIS DRIVE SYSTEM 1

A3-10-1

No.	Part Name	Part No.	Remark
1	Z-SPEC. FRAME[S]	0F411042@S00	
2	RAIL PLATE :0.5*10	518102@@0000	
3	FELT :T1.9[S]	0G0140020S20	
4	BRACKET :Z-SPEC. FRAME DRIVE BASE :L	0F416034L000	
5	BRACKET :Z-SPEC. FRAME DRIVE BASE :R	0F416034R000	
6	LINEAR WAY	6603000@0000	
7	RAIL PLATE :1.6*30	0F416057@000	
8	CARD :MAGNETIC SENSOR A	0J4204400000	
9	LID :TAKE-UP LEVER BEARING CASE :13MM DIA.	080290010000	
10	SLIDE BASE[S]	0F412022@S00	
11	STEPPED PIN :NO.1	503201010010	
12	BEARING :R1340ZZ	630200330000	
13	E-RING :3MM DIA.	611100060000	
14	BASE :ROLLER PIN	0F4160560000	
15	STEPPED SCREW :NO.1 :M4*16.5	512104080010	
16	BEARING :SSR1760ZZ	631200050000	
17	STEPPED SCREW :NO.1 :M4*4	512104200000	
18	SENSOR PLATE :NO.1[S]	0F4140060S00	
19	PLATE :TENSION BASE	0F4160410000	
20	BASE :TENSION	0F4160420000	
21	HOLDER :TIMING PULLEY	0F4160350000	
22	STEPPED PIN :NO.1	503201020000	
23	PLASTIC WASHER :10.2*15*T0.5	519212030000	
24	TIMING PULLEY :W30-16[S]	501463010S00	
25	TIMING BELT :MA5 :W30/LY	623C000@0000	
26	BASE :BELT CATCHER	0F4160580000	
27	SPACER :NO.2 :T1.6	510200400010	
28	BELT CATCHER :X	0F4160370000	
29	REINFORCING PLATE :BELT CATCHER PLATE	0F4160470010	
30	COVER :Z-SPEC. FRAME	0F411043@000	
31	TRAVERSE SCALE	0P1200020000	
32			
33			
34			
35			
36			
37			
38			
39			
40			
41			
42			
43			
44			
45			
46			
47			
48			
49			
50			

Note: As for parts with mark @, please follow our instructions on Table of Contents in your parts order.

(TP05)



X-AXIS DRIVE SYSTEM 2

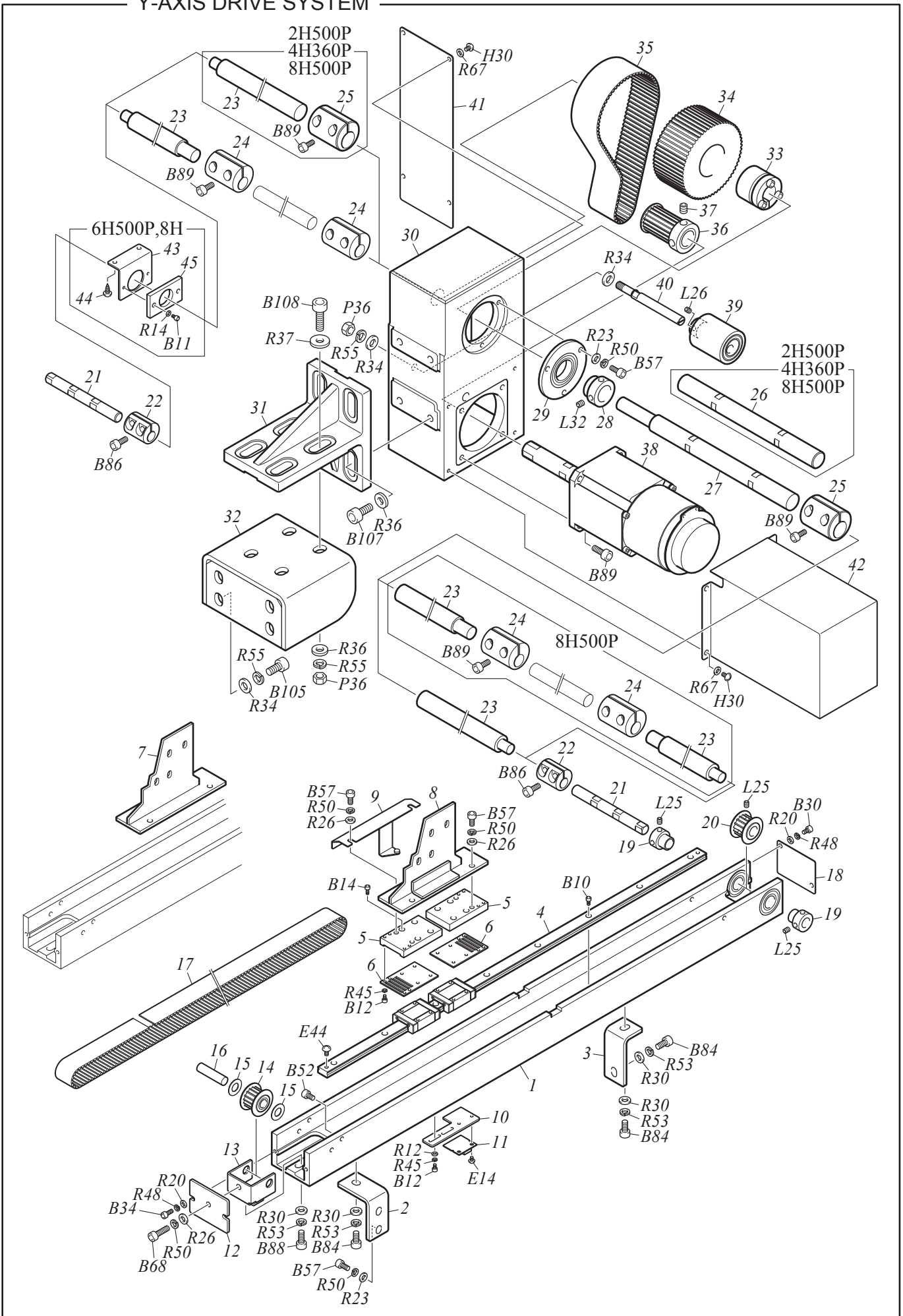
A3-10-2

No.	Part Name	Part No.	Remark
1	PLATE :X MOTOR :A	0F4150210000	
2	JOINT :X MOTOR PLATE	0F4150230000	
3	COVER :X SPEED REDUCTION	0F4150260000	
4	BASE :BEARING CASE PLATE	0F4160400000	
5	BEARING CASE PLATE	0F4160390000	
6	PLASTIC WASHER :10.2*15*T0.5	519212030000	
7	TIMING PULLEY :W20-48[S]	501445080S10	
8	COLLAR :NO.1 :10MM DIA.	502510050000	
9	TIMING BELT :X REDUCTION	625400190000	
10	STEPPED PIN :NO.1	503201140000	
11	PLATE :X MOTOR :B	0F4150220000	
12	BASE :X MOTOR	0F4150250000	
13	TIMING PULLEY :W20-16	501440030000	
14	SERVO MOTOR :X-AXIS DRIVE	0J6301200000	
15	BASE :TENSION SHAFT HOLDER	0F4150150000	
16	COVER :X SPEED REDUCTION BELT	0F4150240000	
17	COVER :X MOTOR	0F4150270000	
18			
19			
20			
21			
22			
23			
24			
25			
26			
27			
28			
29			
30			
31			
32			
33			
34			
35			
36			
37			
38			
39			
40			
41			
42			
43			
44			
45			
46			
47			
48			
49			
50			

Note: As for parts with mark @, please follow our instructions on Table of Contents in your parts order.

(TP05)

Y-AXIS DRIVE SYSTEM



Y-AXIS DRIVE SYSTEM

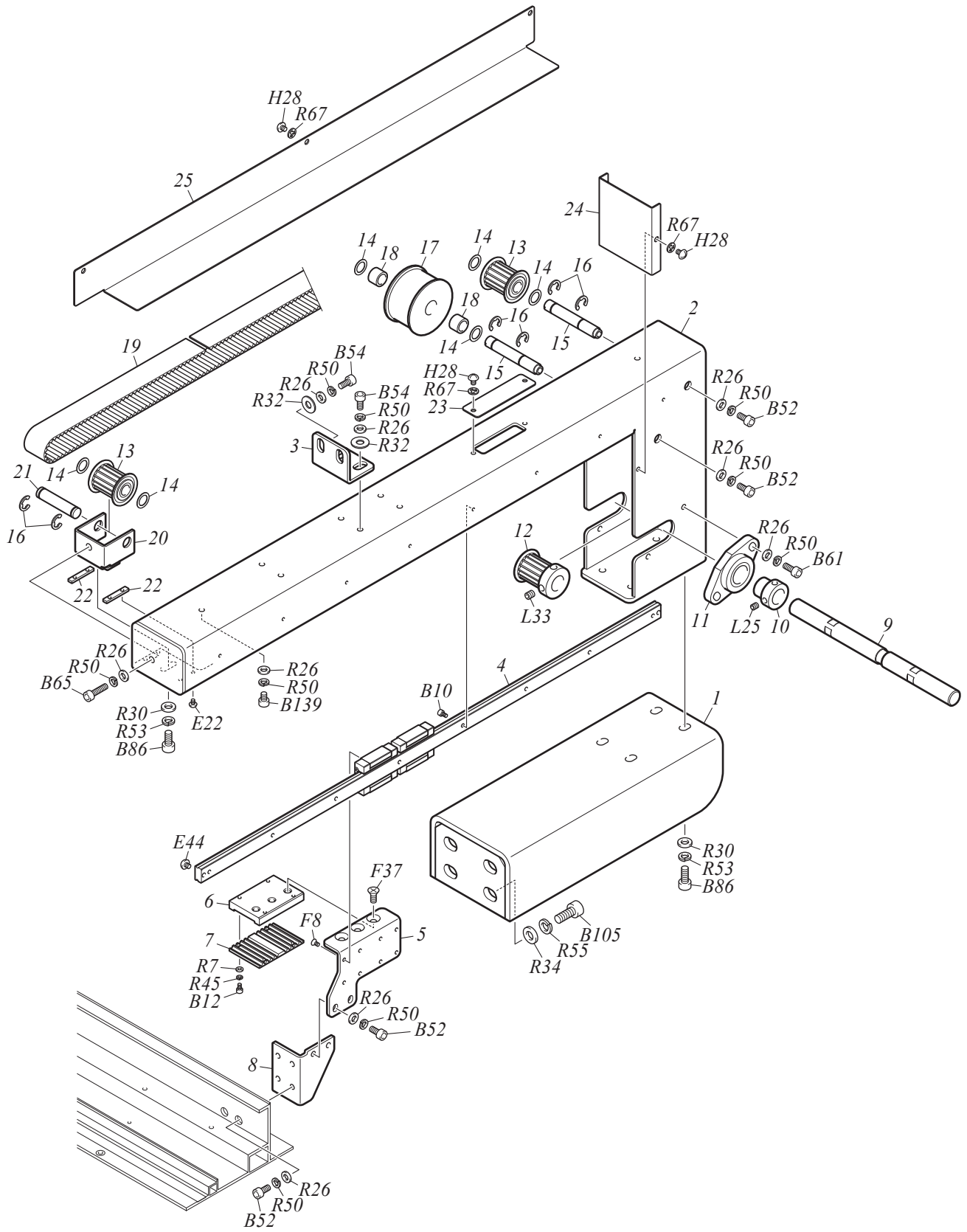
A3-11

No.	Part Name	Part No.	Remark
1	Y-DRIVE BASE :NO.9[S]	160910070S00	
2	BRACKET :Y DRIVE BASE	0F4220070000	
3	BRACKET :Y-DRIVE BASE	0F4220030020	
4	LINEAR WAY :LWL-15C2R580	660300050000	
5	BELT CATCHER :NO.1 :Y	0F4230240000	
6	BELT CATCHER :NO.2 :Y	0F4230230010	
7	Z-SPEC. FRAME ARM :L	0F423059L000	
8	Z-SPEC. FRAME ARM :R	0F423059R000	
9	BRACKET :Y-AXIS SENSOR[S]	0F0110170S00	
10	BRACKET :ORIGIN SENSOR	0F4230250010	
11	CARD :MAGNETIC SENSOR A	0J4204400000	
12	SIDE COVER :Y-DRIVE BASE	0F4230220000	
13	HOLDER :TIMING PULLEY	0F4210010010	
14	TIMING PULLEY :W25-16[S]	501452040S10	
15	PLASTIC WASHER :10.2*15*T0.5	519212030000	
16	STRAIGHT PIN :NO.1 :10MM DIA.	503101200010	
17	TIMING BELT :MA5 :W25-272E/LY	623B00020000	
18	SIDE COVER :Y-DRIVE BASE	0F4230170000	
19	BEARING COLLAR :12MM DIA.	502712020000	
20	TIMING PULLEY :W25-16	501452020010	
21	SHAFT :Y-AXIS PULLEY	0F0170110010	
22	TIGHTENING JOINT :12MM DIA.	504312010010	
23	Y SHAFT	QA2@030@0000	
24	TIGHTENING COUPLING :15MM DIA.	504315010000	
25	TIGHTENING JOINT :20MM DIA.	504320010010	
26	SHAFT :Y SPEED REDUCTION	0F0220040010	
27	SHAFT :Y SPEED REDUCTION-AUXILIARY DRIVE	0F0220090000	
28	BEARING COLLAR :20MM DIA.	502720010000	
29	BEARING CASE :NO.2 :25MM DIA.[S]	508225010S10	
30	SPEED REDUCTION BOX[S]	0F0210060S10	
31	BRACKET :SPEED REDUCTION BOX	0F0220120000	
32	BASE :Y MOTOR	0F424007@000	
33	STAR LOCK :STL21S20*39	504820010000	
34	TIMING PULLEY :W40-60	501482010000	
35	TIMING BELT :SPEED REDUCTION BOX	625A00010000	
36	TIMING PULLEY :W40-20	501480010000	
37	SPECIAL SCREW :UNBRAKO :KCP :M8*8	690200010000	
38	SERVO MOTOR :MAIN SHAFT/FRAME DRIVE	0J6301100000	
39	FLAT PULLEY[S]	501908010S00	
40	SCREW WITH PIN :NO.1 :M8-74.5	513110030010	
41	COVER :SPEED REDUCTION BOX	0F0220010000	
42	COVER :Y MOTOR	0F0220110000	
43	BRACKET :20MM DIA. SHAFT	0F4230570000	
44	TRUSS HEAD TAPPING SCREW :4P*16	S530041601SD	
45	GUIDE :20MM DIA. SHAFT	0F4230580000	
46			
47			
48			
49			
50			

Note: As for parts with mark @, please follow our instructions on Table of Contents in your parts order.

(TP05)

AUXILIARY DRIVE SYSTEM



AUXILIARY DRIVE SYSTEM

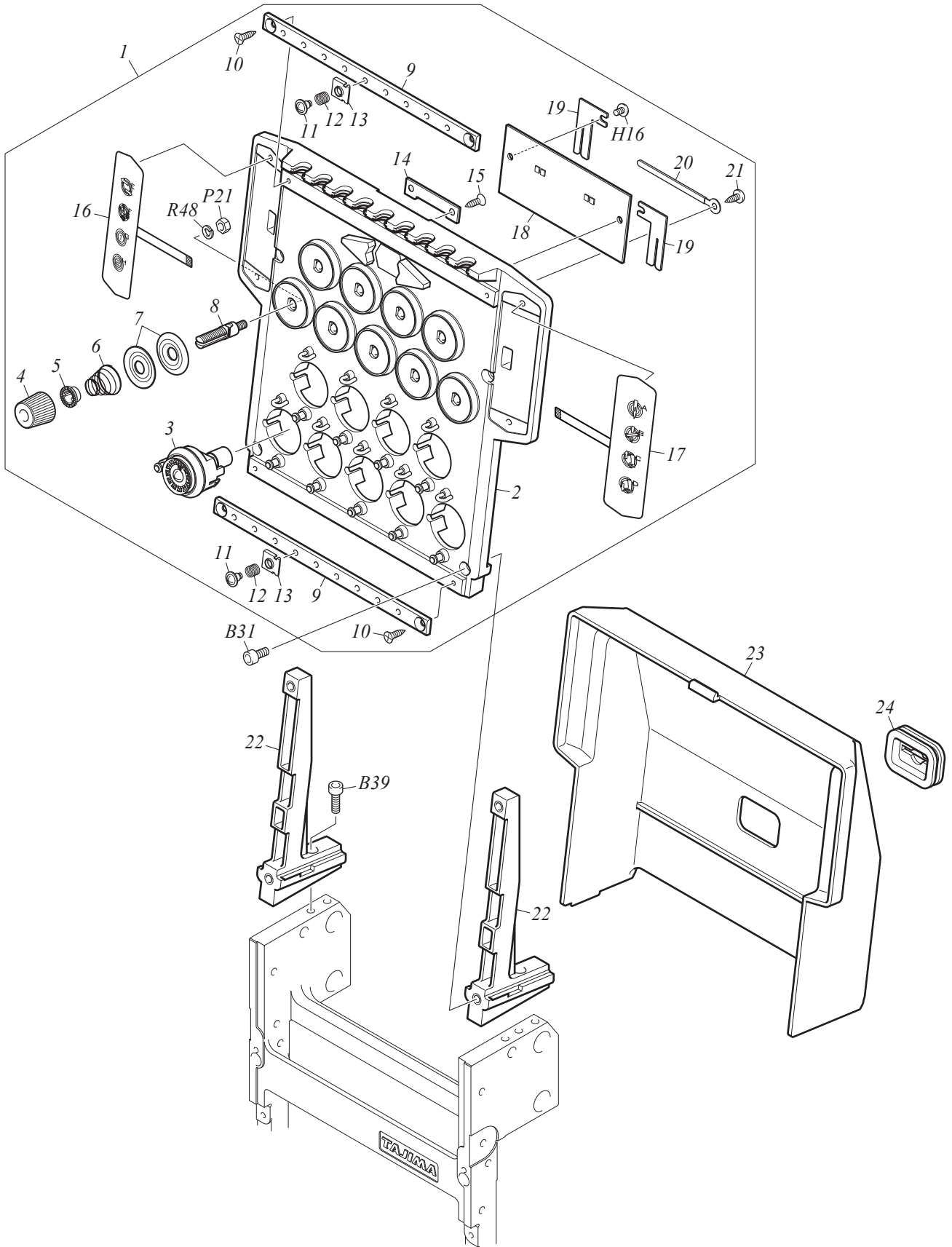
A3-12

No.	Part Name	Part No.	Remark
1	BASE :AUXILIARY DRIVE SYSTEM	0F432031@000	
2	AUXILIARY DRIVE SYSTEM	0F432035@000	
3	STAY :AUXILIARY DRIVE	0F432023@000	
4	LINEAR WAY :A :ZLWL-1518C2R580	66030005A000	
5	ARM :AUXILIARY DRIVE SYSTEM	0F4320330000	
6	BELT CATCHER :NO.1	0F4320260000	
7	BELT CATCHER :NO.2	0F4320270000	
8	BRACKET :AUXILIARY DRIVE ARM	0F4320170000	
9	SHAFT :AUXILIARY DRIVE SYSTEM PULLEY	0F4320280000	
10	NEEDLE COLLAR :15MM DIA.	502815010000	
11	BEARING CASE :NO.3 :15MM DIA.[S]	508315010S00	
12	TIMING PULLEY :W25-16[S]	501452070S10	
13	TIMING PULLEY :W25-16[S]	501452040S10	
14	PLASTIC WASHER :10.2*15*T0.5	519212030000	
15	STEPPED PIN :NO.1	503201040000	
16	E-RING :7MM DIA.	611100100000	
17	FLAT PULLEY :50MM DIA.	501903030000	
18	NEEDLE BEARING :HK-1010	634100060000	
19	TIMING BELT :MA5 :W25-310E/LY	623B00030000	
20	HOLDER :TIMING PULLEY	0F4210010010	
21	STRAIGHT PIN :NO.4 :10MM DIA.	503104020010	
22	GUIDE PLATE :HOLDER	0F4320240000	
23	COVER :AUXILIARY DRIVE	0F432022@000	
24	COVER :TIMING BELT	0F432003@000	
25	COVER :SLIDE RAIL	0F432021@000	
26			
27			
28			
29			
30			
31			
32			
33			
34			
35			
36			
37			
38			
39			
40			
41			
42			
43			
44			
45			
46			
47			
48			
49			
50			

Note: As for parts with mark @, please follow our instructions on Table of Contents in your parts order.

(SQ11)

TENSION BASE



TENSION BASE

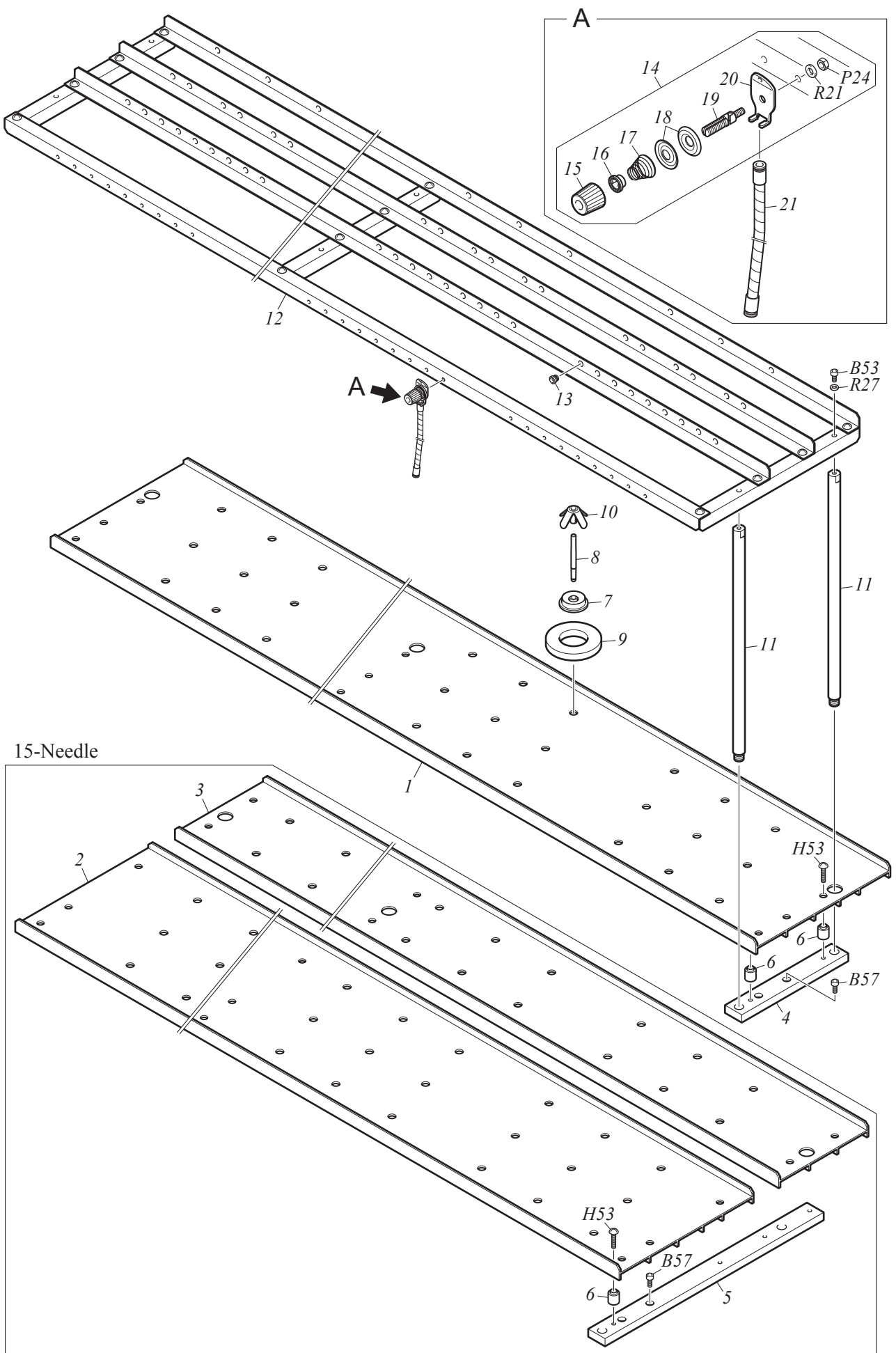
A3-13

No.	Part Name	Part No.	Remark
1	TENSION BASE[T]	0C016001@T00	
2	TENSION BASE[S]	0C016001@S00	
3	ROTARY TENSION DISK[A]	0C0230320A00	
4	KNOB :THREAD TENSION :A	0C0220150000	
5	SPRING HOOK	0C0220080000	
6	TAPER SPRING :0.6MM DIA.	507706010000	
6	TAPER SPRING :0.7MM	507707020010	Thick Thread
7	TENSION DISK	0C0210060000	
8	THREAD TENSION STUD :WITH GROOVE	0C0210070000	
9	BASE :THREAD PRESSER	0C022039@000	
10	COUNTERSUNK TAPPING SCREW :3P*10	S550031001SD	
11	TRUSS HEAD SCREW :STEPPED :M3*4*2	S132030401TD	
12	COMPRESSION SPRING :0.2MM DIA.	507602010000	
13	THREAD PRESSER	0C0220400000	
14	GUIDE PLATE :TENSION BASE	0C0250100000	
15	COUNTERSUNK TAPPING SCREW :3P*8	S550030801SD	
16	SWITCH :MEMBRANE :L	0J0607401000	
17	SWITCH :MEMBRANE :R	0J0607400000	
18	CARD :TENSION BASE :MEMBRANE SWITCH SPEC.	0J2602900000	
19	CLAMP :WIRING	0C0250110000	
20	COATED CLIP :5	644500150000	
21	TRUSS HEAD TAPPING SCREW :3P*6	S530030601SD	
22	BRACKET :TENSION BASE	0C0240070000	
23	COVER :TENSION BASE	0C015008@000	
24	GROMMET	0C0250090000	
25			
26			
27			
28			
29			
30			
31			
32			
33			
34			
35			
36			
37			
38			
39			
40			
41			
42			
43			
44			
45			
46			
47			
48			
49			

Note: As for parts with mark @, please follow our instructions on Table of Contents in your parts order.

(SQ11)

THREAD STAND



THREAD STAND

A3-14

No.	Part Name	Part No.	Remark
1	THREAD STAND PLATE	1DN@@@@@000	
2	THREAD STAND PLATE :FRONT	1DN@@@01X000	
3	THREAD STAND PLATE :REAR	1DN@@@02X000	
4	BASE :THREAD STAND PLATE	0D0110560000	
5	BASE :THREAD STAND PLATE :15-NEEDLE	0D0110570000	
6	COLLAR :NO.2 :7MM DIA.	502607010000	
7	BASE :THREAD STAND STUD	0D0110420000	
8	THREAD STAND STUD	0D0110410000	
9	THREAD STAND RING :T10	0D0110022010	
10	THREAD STAND BLADE	0D0110010010	
11	THREAD COURSE SUPPORT BAR :L345	0D0210313010	
11	THREAD COURSE SUPPORT BAR :L295	0D021031C010	8H500P
12	THREAD COURSE	1EK@@@@@000	
13	THREAD GUIDE COLLAR :BLACK :4.5MM DIA.	516501012010	
13	THREAD GUIDE COLLAR :RED :4.5MM DIA.	516501011010	
14	THREAD TENSION :TUBE :B	UD1100000200	
15	KNOB :THREAD TENSION :A	0C0220150000	
16	SPRING HOOK	0C0220080000	
17	TAPER SPRING :0.6MM DIA.	507706010000	
18	TENSION DISK	0C0220160010	
19	THREAD TENSION STUD :WITH GROOVE	0C0210040000	
20	THREAD TENSION GUIDE :TUBE	0D0210150030	
21	SPIRAL TUBE :L230[A]	0D0210052A00	
22			
23			
24			
25			
26			
27			
28			
29			
30			
31			
32			
33			
34			
35			
36			
37			
38			
39			
40			
41			
42			
43			
44			
45			
46			
47			
48			

Note: As for parts with mark @, please follow our instructions on Table of Contents in your parts order.

(SQ11)

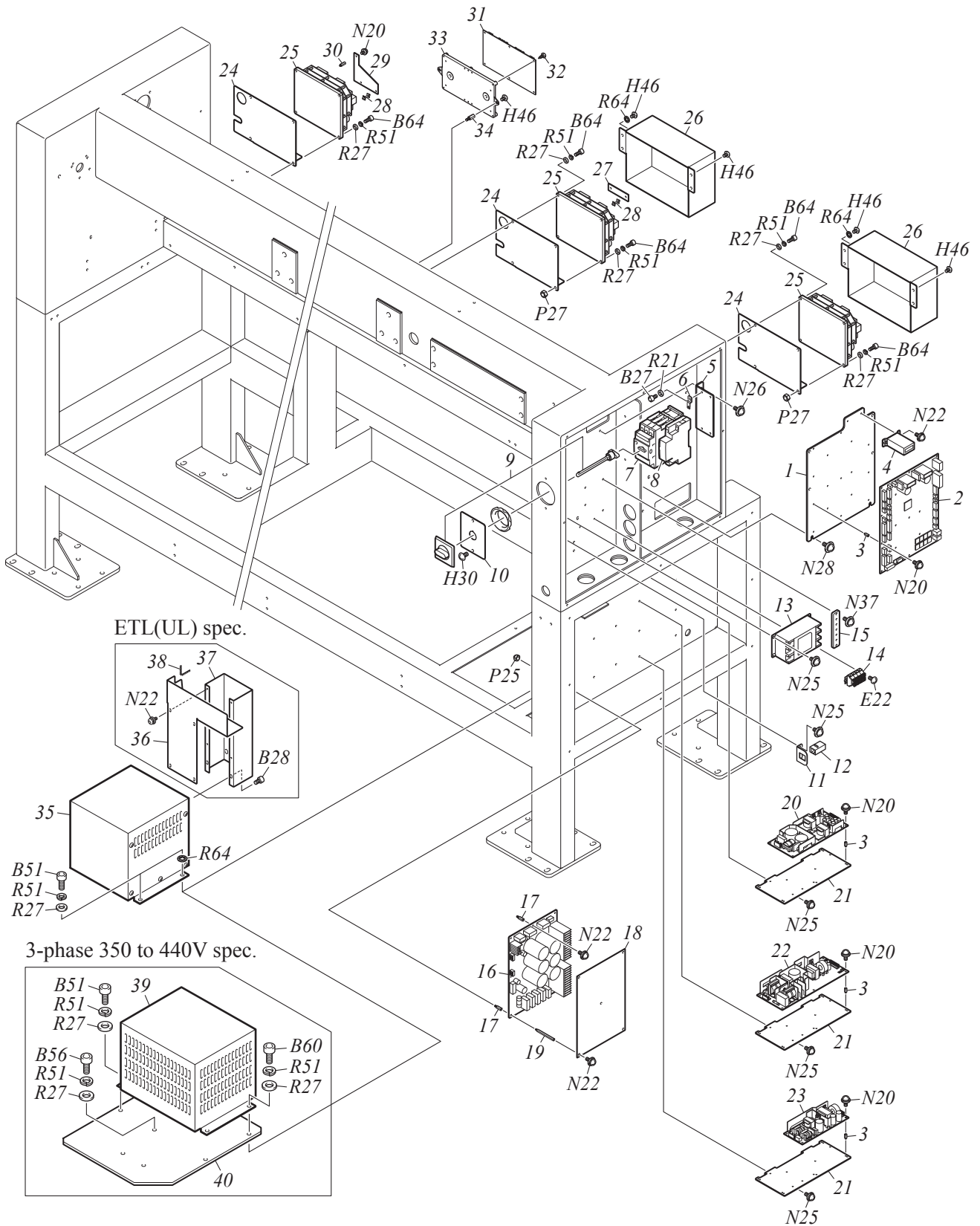
EMBROIDERY FRAME

A3-15

No.	Part Name	Part No.	Remark
1	JOINT PLATE :FRAME HOLDER :P360[S]	0G3150080S10	
2	FRAME HOLDER :L :Y450[S]	0G314016LS20	
3	FRAME HOLDER :R :Y450[S]	0G314016RS20	
4	STOPPER :NO.1	0G314001A020	
5	PLATE SPRING :HOLDER BASE :T1.5	507815060010	
6	STOPPER :NO.2	0G314002B020	
7	KNOBBED SCREW :NO.2 :M5*6[S]	511F05110S00	
8	HOLDER :TUBULAR GOODS FRAME :EY450[S]	0F4160620S00	
9	JOINT PLATE :FRAME HOLDER :P500[S]	0G3150110S10	
10	FRAME HOLDER :ADJUST TYPE :Y450[S]	0G3140170S20	
11	BORDER FRAME[A]	30H@@@010A00	
12	BORDER FRAME CLIP :BFF6	0G052007@040	
13	Y-AXIS FEED PLATE[A]	0F3290320A00	
14	KNOBBED SCREW :NO.2 :M5*8[S]	511F05100S00	
15			
16			
17			
18			
19			
20			
21			
22			
23			
24			
25			
26			
27			
28			
29			
30			
31			
32			
33			
34			
35			
36			
37			
38			
39			
40			
41			
42			
43			
44			
45			
46			
47			
48			
49			
50			

Note: As for parts with mark @, please follow our instructions on Table of Contents in your parts order.

(SQ11)



ELECTRICAL PARTS

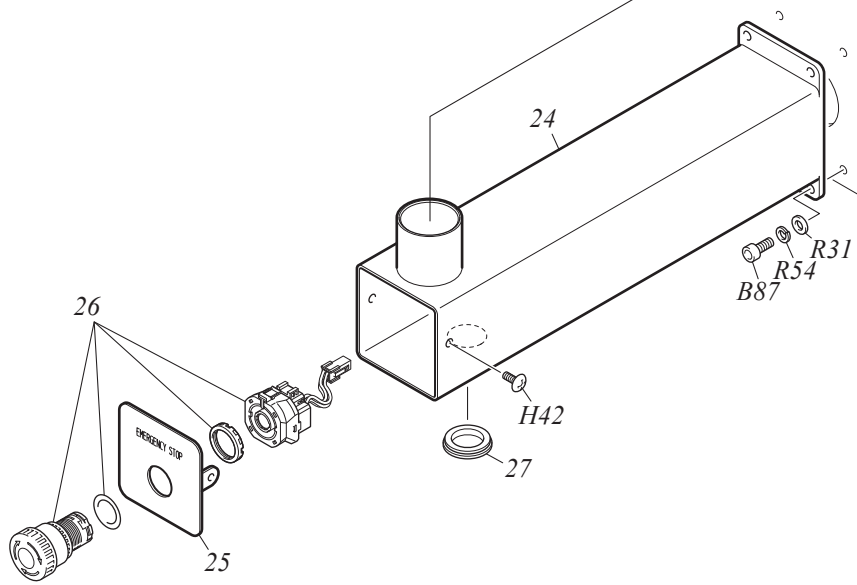
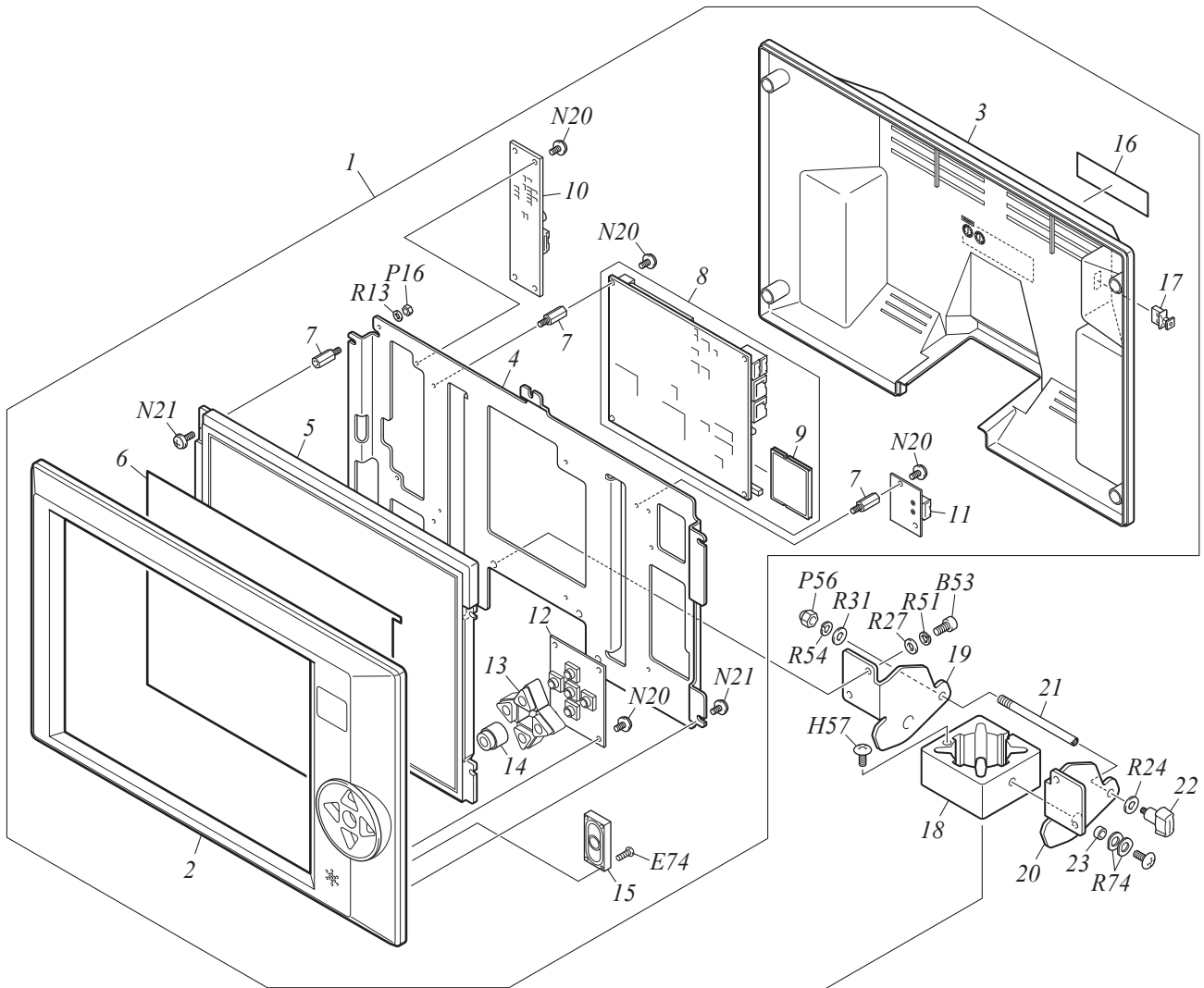
A3-16

No.	Part Name	Part No.	Remark
1	BASE :CARD	030190640000	
2	CARD :CONTROLLER[A]	0J2305900A00	
3	SPACER :HEXAGON :L10 :M3	644501330000	
4	COUNTER :ELECTRO-MAGNETIC	0J4500200010	
5	BRACKET :BREAKER	030130240000	
6	ACCESSORY :FIXING	644501520000	
7	BREAKER :3-PHASE :12.5A	646100270000	
8	SHUNT RELEASE	646100290000	
9	LEVER :ROTARY TYPE	646100300000	
10	COVER :BREAKER HANDLE	03013025@000	
11	BRACKET :LAN CONNECTOR	030190540000	
12	CONNECTOR :LAN RELAY	643500210000	
13	NOISE FILTER :SINGLE-PHASE :16A	641400210000	
13	NOISE FILTER :3-PHASE :10A	641400220000	
14	TERMINAL BASE :4P	643400210000	
15	BASE :FG TERMINAL	030190570000	
16	CARD :CONVERTER :SINGLE-PHASE[A]	0J2102700A10	
16	CARD :CONVERTER :3-PHASE[A]	0J2102500A10	
17	STUD :NO.1 :M4-14	505104140000	
18	COVER :POWER SUPPLY	030150470000	
19	SPACER :HEXAGON :L55 :M3	644501500000	
20	DC POWER SUPPLY :12V/5V :60W	645300440000	
21	BRACKET :DC POWER SUPPLY	030190650000	
22	DC POWER SUPPLY :24V :150W	645300450000	2H, 4H
22	DC POWER SUPPLY :24V :300W	645300430000	6H, 8H
23	DC POWER SUPPLY :24V :100W	645300470000	LED Lamp (Option)
24	BASE :DRIVER CARD	030190530000	
25	DRIVER :AC :50A[A]	0J2206000A10	
26	COVER :X/Y-AXIS DRIVER CARD	03019052@000	
27	CARD :TERMINATOR[A]	0J3201300A00	
28	SPACER :DOUBLE LOCKING :WLS-14-0	644501660000	
29	CARD :CAN LOGGER TERMINAL[A]	0J3201400A00	
30	SPACER :BSB-314E	644501590000	
31	CARD :HEAD :6 MOTOR :2[A]	0J2704500A00	
32	TRUSS HEAD TAPPING SCREW :3P*8	S530030801SD	
33	BRACKET :HEAD CARD	0J1941800000	
34	SPACER :HEXAGON :L15 :M5	644501510000	
35	TRANSFORMER :SEPARATE :X13A[A]	0J0901400A30	Single-phase
36	COVER :HARNESS	0L222004@000	
37	BRACKET :HARNESS	0L222003@000	
38	UNIVERSAL BUSHING :KG-010 :L38	644501620000	
39	TRANSFORMER :SEPARATE :X15[A]	0J0902400A00	
40	BASE :TRANSFORMER :C	0J180180@000	
41			
42			
43			
44			
45			
46			
47			

Note: As for parts with mark @, please follow our instructions on Table of Contents in your parts order.

(TP03)

OPERATION PANEL



OPERATION PANEL

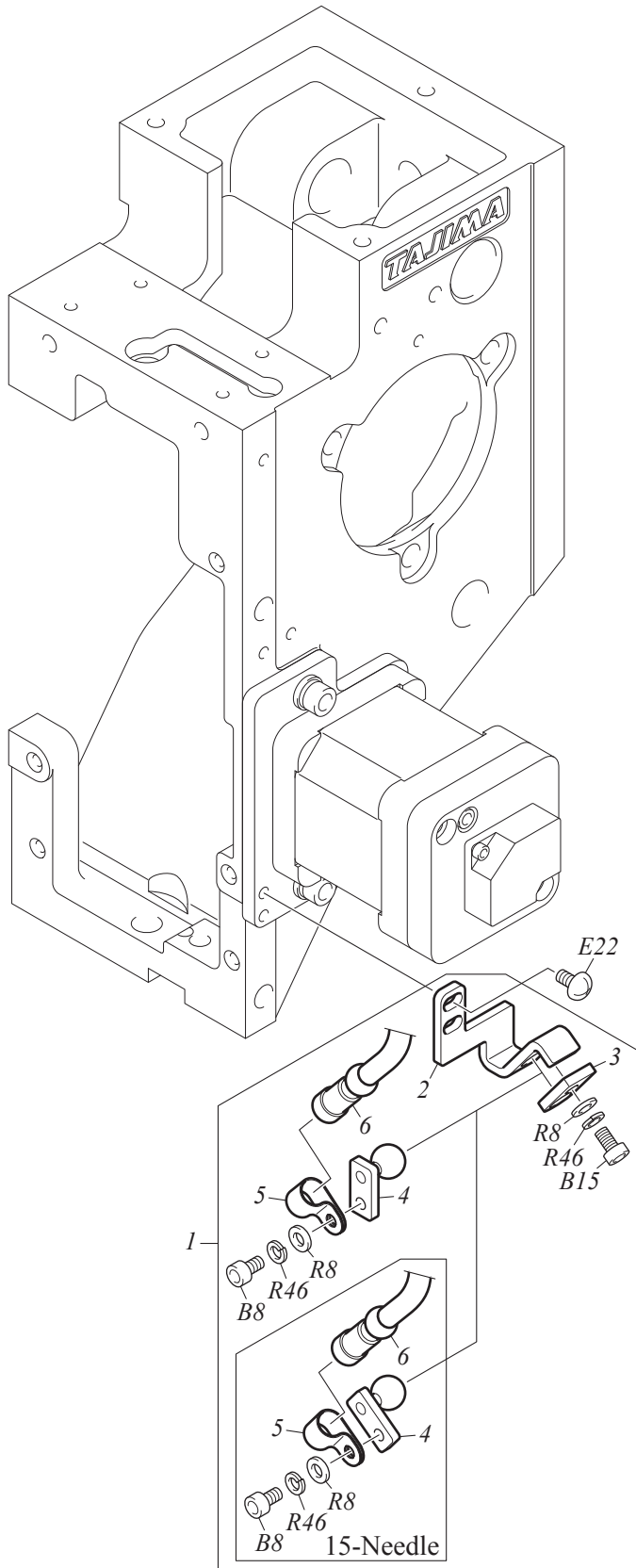
A3-17

No.	Part Name	Part No.	Remark
1	LCD OPERATION PANEL :12.1 INCH[A]	0J0401600A40	
2	CASE :CONTROLLER PANEL :FRONT[S]	0J1412700S10	
3	CASE :CONTROLLER PANEL :REAR[S]	0J1412800S00	
4	CARD BASE :CONTROLLER	0J1413100000	
5	LCD PANEL :12.1	0J0401500000	
6	TRANSPARENT PROTECTING SHEET :TOUCH PANEL :12.1	0J1414400000	
7	SPACER :HEXAGON :BSB-312	644500800000	
8	CARD :PANEL CPU :OPERATION PANEL[T]	0J3504600T10	
9	COMPACT FLASH CARD :OPERATION PANEL	0J1413400020	
10	CARD :TOUCH PANEL :CONTROL[A]	0J3503700A00	
11	CARD :PANEL :USB[A]	0J3503900A00	
12	CARD :PANEL :SWITCH[A]	0J3503800A00	
13	BUTTON :TRIANGLE :SWITCH	0J1412900000	
14	BUTTON :CIRCLE :SWITCH	0J1413000000	
15	SPEAKER :OPERATION PANEL	0J1413300000	
16	LABEL :LCD OPERATION PANEL :12.1 INCH	0J5105600030	
17	DUST CAP :USB	644500490000	
18	CLAMP :CONTROLLER PANEL	030221000000	
19	BRACKET :CONTROLLER PANEL :L	03022095L000	
20	BRACKET :CONTROLLER PANEL :R	03022095R000	
21	SCREW WITH PIN :NO.4 :M6-75	513406010000	
22	KNOBBED SCREW :NO.2 :M5*9[S]	511F05080S10	
23	COLLAR :NO.1 :6MM DIA.	502506050000	
24	PIPE :CONTROLLER :L360[S]	030210500S00	
25	BASE :EMERGENCY STOP SWITCH[S]	030230270S00	
26	SWITCH :EMERGENCY STOP[A]	0J0603900A00	
27	GROMMET WITH FILM :26A	644500210000	
28			
29			
30			
31			
32			
33			
34			
35			
36			
37			
38			
39			
40			
41			
42			
43			
44			
45			
46			
47			
48			
49			
50			

Note: As for parts with mark @, please follow our instructions on Table of Contents in your parts order.

(TP04)

POSITION MARKER (OPTION)



POSITION MARKER (OPTION)

A3-18

No.	Part Name	Part No.	Remark
1	POSITION MARKER[T]	0L2300290T00	
2	BASE :POSITION MARKER	0L2300240000	
3	HOLDER :BRACKET	0L2300250000	
4	BRACKET :POSITION MARKER[S]	0L2300280S00	
5	CLIP :MARKER	0L2300190000	
6	POSITION MARKER[A]	0J7100200A20	
7			
8			
9			
10			
11			
12			
13			
14			
15			
16			
17			
18			
19			
20			
21			
22			
23			
24			
25			
26			
27			
28			
29			
30			
31			
32			
33			
34			
35			
36			
37			
38			
39			
40			
41			
42			
43			
44			
45			
46			
47			
48			
49			
50			

Note: As for parts with mark @, please follow our instructions on Table of Contents in your parts order.

(SQ11)

A. B

No.	Part No.	Remark	No.	Part No.	Remark
A Flat Fillister Head Screw			B15	S120031203TD	M3*12
A1	SA41730351CN	1/8*44*3.5	B16	S120031201TN	M3*12
A2	SA41730501CN	1/8*44*5	B17	S120031502TD	M3*15
A3	SA41730551CN	1/8*44*5.5	B18	S120031501TN	M3*15
A4	SA41730601CN	1/8*44*6	B19	S120031601TN	M3*16
A5	SA41740301CN	9/64*40*3	B20	S120031801TN	M3*18
A6	SA41740402CN	9/64*40*4	B21	S120032003TD	M3*20
A7	SA41740401SA	9/64*40*4	B22	S120032001TN	M3*20
A8	SA41740403CL	9/64*40*4	B23	S120032501TN	M3*25
A9	SA41740404CN	9/64*40*4	B24	S120033001TN	M3*30 Half Threads
A10	SA41740501CN	9/64*40*5	B25	S120040501TD	M4*5
A11	SA41740601CN	9/64*40*6	B26	S120040502TN	M4*5
A12	SA41740602CN	9/64*40*6	B27	S120040602TD	M4*6
A13	SA41740701CN	9/64*40*7	B28	S120040601TN	M4*6
A14	SA41740801CN	9/64*40*8	B29	S120040801TD	M4*8
A15	SA41740802CN	9/64*40*8	B30	S120040802TN	M4*8
A16	SA41740803CN	9/64*40*8	B31	S120041001TD	M4*10
A17	SA41741001CN	9/64*40*10	B32	S120041002TN	M4*10
A18	SA41741202CN	9/64*40*12	B33	S120041201TD	M4*12
A19	SA41741501CN	9/64*40*15	B34	S120041202TN	M4*12
A20	SA41750431TN	11/64*40*4.3	B35	S120041401TN	M4*14
A21	SA41750701CN	11/64*40*7	B36	S120041502TD	M4*15
A22	SA41750751CN	11/64*40*7.5	B37	S120041501TN	M4*15
A23	SA41750901SH	11/64*40*9	B38	S120041601TN	M4*16
A24	SA41751151CN	11/64*40*11.5	B39	S120041801TN	M4*18
A25	SA41751201CN	11/64*40*12	B40	S120042002TD	M4*20
A26	S141030801SC	M3*8	B41	S120042001TN	M4*20
A27	S141030802SD	M3*8	B42	S120042502TD	M4*25
A28	S141031001CC	M3*10	B43	S120042501TN	M4*25
A29	S141041001SC	M4*10	B44	S120042504TN	M4*25 Half Threads
A30	SA41740653TB	9/64*40*6.5	B45	S120043001TN	M4*30
			B46	S120043502TD	M4*35
			B47	S120043501TN	M4*35
			B48	S120044001TN	M4*40
			B49	S120044501TN	M4*45
B Hexagon Socket Head Cap Screw			B50	S120050601TN	M5*6
B1	S120020801TD	M2*8	B51	S120050801TD	M5*8
B2	S120021001TD	M2*10	B52	S120050802TN	M5*8
B3	S120480501TN	M2.6*5	B53	S120051001TD	M5*10
B4	S120030301TN	M3*3	B54	S120051002TN	M5*10
B5	S120030401TN	M3*4	B55	S120051004TP	M5*10
B6	S120030502TD	M3*5	B56	S120051201TD	M5*12
B7	S120030501TN	M3*5	B57	S120051202TN	M5*12
B8	S120030601TD	M3*6	B58	S120051401TN	M5*14
B9	S120030602TN	M3*6	B59	S120051501MZ	M5*15
B10	S120030804MZ	M3*8	B60	S120051502TD	M5*15
B11	S120030801TD	M3*8	B61	S120051503TN	M5*15
B12	S120030802TN	M3*8	B62	S120051601TN	M5*16
B13	S120031001TD	M3*10	B63	S120051801TN	M5*18
B14	S120031002TN	M3*10	B64	S120052001TD	M5*20

B. C

No.	Part No.	Remark	No.	Part No.	Remark
B	Hexagon Socket Head Cap Screw		B114	S120086001TN	M8*60
B65	S120052002TN	M5*20	B115	S120087001TN	M8*70
B66	S120052201TN	M5*22	B116	S120102002TD	M10*20
B67	S120052301TN	M5*23	B117	S120102001TN	M10*20
B68	S120052501TN	M5*25	B118	S120102501TN	M10*25
B69	S120053001TN	M5*30	B119	S120103001TN	M10*30
B70	S120053503TD	M5*35	B120	S120103501TN	M10*35
B71	S120053501TN	M5*35	B121	S120104001TN	M10*40
B72	S120053502TN	M5*35 Half Threads	B122	S120123001TN	M12*30
B73	S120054001TN	M5*40	B123	S120123501TN	M12*35
B74	S120054501TN	M5*45	B124	S120081801TN	M8*18
B75	S120055001TN	M5*50	B125	S120470501TN	M2.5*5
B76	S120055002TN	M5*50 Half Threads	B126	S120052502TD	M5*25
B77	S120055501TN	M5*55	B127	S120030302TD	M3*3
B78	S120056001TN	M5*60	B128	S120051504TN	M5*15 Low Head
B79	S120056003TN	M5*60 Half Threads	B129	S120031801TD	M3*18
B80	S120060801TN	M6*8	B130	S120052801TN	M5*28
B81	S120060901TN	M6*9	B131	S120044502TN	M4*45 Half Threads
B82	S120061001TN	M6*10	B132	S120081501TD	M8*15
B83	S120061202TD	M6*12	B133	S120051802TD	M5*18
B84	S120061201TN	M6*12	B134	S120470401TN	M2.5*4
B85	S120061501TD	M6*15	B135	S120033003SD	M3*30
B86	S120061502TN	M6*15	B136	S120030402TD	M3*4
B87	S120061801TD	M6*18	B137	S120033002TN	M3*30
B88	S120061802TN	M6*18	B138	S120067502TN	M6*75
B89	S120062001TN	M6*20	B139	S120050501TN	M5*5
B90	S120062501TN	M6*25	B140	S120082001TD	M8*20
B91	S120063001TN	M6*30	B141	S120086002TD	M8*60
B92	S120063501TN	M6*35	B142	S120062002TD	M6*20
B93	S120064001TN	M6*40	B143	S120043503TD	M4*35 Half Threads
B94	S120064501TN	M6*45	B144	S120044003TN	M4*40 Half Threads
B95	S120064502TN	M6*45 Half Threads	B145	S120030605TD	M3*6 Low Head
B96	S120065001TN	M6*50 Half Threads	B146	S120042202TD	M4*22
B97	S120066501TN	M6*65	B147	S120062502TD	M6*25
B98	S120067501TN	M6*75 Half Threads	B148	S120045501TN	M4*55 Half Threads
B99	S120068001TN	M6*80 Half Threads	B149	S120123001TD	M12*30
B100	S12006A001TN	M6*100	B150	S120034001TN	M3*40
B101	S120081201TN	M8*12	B151	S120035001TN	M3*50
B102	S120081502TN	M8*15	B152	S120470502TD	M2.5*5
B103	S120081503TP	M8*15	C Hexagon Bolt		
B104	S120081601TN	M8*16	C1	S121030601SD	M3*6
B105	S120082001TN	M8*20	C2	S121040801SD	M4*8
B106	S120082502TN	M8*25	C3	S121042501SD	M4*25
B107	S120083001TN	M8*30	C4	S121051001SD	M5*10
B108	S120083501TN	M8*35	C5	S121051502SC	M5*15
B109	S120084001TN	M8*40	C6	S121051501SD	M5*15
B110	S120084002TN	M8*40 Half Threads	C7	S121052001SD	M5*20
B111	S120084501TN	M8*45	C8	S121061501SC	M6*15
B112	S120084502TN	M8*45 Half Threads	C9	S121062501TN	M6*25
B113	S120085001TN	M8*50	C10	S121064501SD	M6*45

C. D. E

No.	Part No.	Remark	No.	Part No.	Remark
C Hexagon Bolt			E3	S160020301MZ	M2*3
C11	S121065001SC	M6*50	E4	S160020401MZ	M2*4
C12	S121065002SD	M6*50	E5	S160020801MZ	M2*8
C13	S121065501SD	M6*55	E6	S160470301MZ	M2.5*3
C14	S121066501SD	M6*65	E7	S160470402MZ	M2.5*4
C15	S121067501SC	M6*75	E8	S160470501MZ	M2.5*5
C16	S121081501TN	M8*15	E9	S160470801MZ	M2.5*8
C17	S121081801TN	M8*18	E10	S160471301MZ	M2.5*13
C18	S121103001TN	M10*30	E11	S160471302SD	M2.5*13
C19	S121103502SC	M10*35	E12	S160480601SD	M2.6*6
C20	S121103501TN	M10*35	E13	S160030301MZ	M3*3
C21	S121104001SC	M10*40	E14	S160030302SD	M3*3
C22	S121125001TN	M12*50	E15	S160030403CD	M3*4
C23	S12112B001TN	M12*110	E16	S160030401MZ	M3*4
C24	S121082501TN	M8*25	E17	S160030402SD	M3*4
C25	S121102501TN	M10*25	E18	S160030501MZ	M3*5
C26	S121082202TN	M8*22	E19	S160030502SD	M3*5
C27	S121041001SD	M4*10	E20	S160030601MZ	M3*6
C28	S121040601SD	M4*6	E21	S160030603SA	M3*6
C29	S121061503SD	M6*15	E22	S160030602SD	M3*6
			E23	S160030801MZ	M3*8
			E24	S160030803SA	M3*8
D Round Fillister Head Screw			E25	S160030802SD	M3*8
D1	SA43740401CL	9/64*40*4	E26	S160031001MZ	M3*10
D2	SA43740501CL	9/64*40*5	E27	S160031003SC	M3*10 Half Threads
D3	SA43740502CN	9/64*40*5	E28	S160031002SD	M3*10
D4	SA43740503CN	9/64*40*5	E29	S160031101SC	M3*11 Half Threads
D5	SA43740504CN	9/64*40*5	E30	S160031201MZ	M3*12
D6	SA43740601CL	9/64*40*6	E31	S160031202SD	M3*12
D7	SA43740602CN	9/64*40*6	E32	S160031401SA	M3*14
D8	SA43740603CL	9/64*40*6	E33	S160031402SD	M3*14
D9	SA43740604CN	9/64*40*6	E34	S160031501SD	M3*15
D10	SA43740682CN	9/64*40*6.8	E35	S160031601SD	M3*16
D11	SA43740801CL	9/64*40*8	E36	S160031801SD	M3*18
D12	SA43740802CN	9/64*40*8	E37	S160032001SD	M3*20
D13	SA43741001CN	9/64*40*10	E38	S160033001SD	M3*30
D14	SA43741201CN	9/64*40*12	E39	S160034002SD	M3*40
D15	SA43750601CN	11/64*40*6	E40	S160035001SD	M3*50 Half Threads
D16	SA43750652CN	11/64*40*6.5	E41	S160040401SD	M4*4
D17	SA43751051CN	11/64*40*10.5	E42	S160040501SD	M4*5
D18	SA43751201CN	11/64*40*12	E43	S160040601MZ	M4*6
D19	SA43751501CN	11/64*40*15	E44	S160040602SD	M4*6
D20	SA43812451CN	9/32*28*24.5	E45	S160040801SD	M4*8
D21	S143030501SD	M3*5	E46	S160041001SD	M4*10
			E47	S160041201SD	M4*12
			E48	S160041501SD	M4*15
			E49	S160041801SD	M4*18
E Pan Head Screw			E50	S160043001SD	M4*30
E1	S160410141MZ	M1.4*1.4	E51	S160045001SD	M4*50
E2	S160020202MZ	M2*2	E52	S160046001SD	M4*60

E. F. G. H

No.	Part No.	Remark	No.	Part No.	Remark
E Pan Head Screw			F24	S150040602MZ	M4*6
E53	S160050601SD	M5*6	F25	S150040601SD	M4*6
E54	S160050701SD	M5*7	F26	S150040801MZ	M4*8
E55	S160050801SD	M5*8	F27	S150040802SD	M4*8
E56	S160051002MZ	M5*10	F28	S150041001MZ	M4*10
E57	S160051001SD	M5*10	F29	S150041002SD	M4*10
E58	S160051201SD	M5*12	F30	S150041201SD	M4*12
E59	S160053001SD	M5*12	F31	S150041401SD	M4*14
E60	S160051501SD	M5*15	F32	S150041501SD	M4*15
E61	S160054501SD	M5*45	F33	S150042001SD	M4*20
E62	S160055001SD	M5*50	F34	S150042201SD	M4*22
E63	S160056001SD	M5*60	F35	S150042501SD	M4*25
E64	S160047001SD	M4*70	F36	S150050601SD	M5*6
E65	S160480801SD	M2.6*8	F37	S150050801SD	M5*8
E66	S160030504SC	M3*5	F38	S150051001MZ	M5*10
E67	S160480602MZ	M2.6*6	F39	S150051002SD	M5*10
E68	S160031403MZ	M3*14	F40	S150051201SD	M5*12
E69	S160042001SD	M4*20	F41	S150051501SD	M5*15
E70	S160044501SD	M4*45	F42	S150053001SD	M5*30
E71	S160020203SD	M2*2	F43	S150053501SD	M5*35
E72	S160470502SD	M2.5*5	F44	S150054001SD	M5*40
E73	SA60740551TN	9/64*40*5.5	F45	S150061502SC	M6*15
E74	S160431001MZ	M1.7*10	F46	S150061503SD	M6*15
			F47	S150063501SD	M6*35
			F48	S150081201SD	M8*12
			F49	S150087001TN	M8*70
F Countersunk Head Screw			F50	S150061801SD	M6*18
F1	SA51741001CN	9/64*40*10	F51	S150052501SD	M5*25
F2	SA50750801CN	11/64*40*8			
F3	S150020601SD	M2*6			
F4	S150030401MZ	M3*4	G Round Countersunk Head Screw		
F5	S150030402SD	M3*4	G1	SA53730601CL	1/8*44*6
F6	S150030501MZ	M3*5	G2	SA53740301CL	9/64*40*3
F7	S150030502SD	M3*5	G3	SA53740351CL	9/64*40*3.5
F8	S151030601SD	M3*6	G4	SA53740401CL	9/64*40*4
F9	S150030601MZ	M3*6	G5	SA53740601CL	9/64*40*6
F10	S150030602SD	M3*6	G6	SA53740701CL	9/64*40*7
F11	S150030701SD	M3*7	G7	SA53740951CL	9/64*40*9.5
F12	S151030801SD	M3*8	G8	SA53741201CL	9/64*40*12
F13	S150030801MZ	M3*8	G9	SA53740681CL	9/64*40*6.8
F14	S150030804SC	M3*8			
F15	S150030802SD	M3*8			
F16	S150030803SN	M3*8			
F17	S150031002MZ	M3*10	H Truss Head Screw		
F18	S150031001SD	M3*10	H1	SA30730701CL	1/8*44*7
F19	S150031201MZ	M3*12	H2	SA30740301CL	9/64*40*3.5
F20	S150031202SD	M3*12	H3	SA30740401CL	9/64*40*4
F21	S150031501MZ	M3*15	H4	SA31740401CM	9/64*40*4
F22	S150031601SD	M3*16	H5	SA30740601CL	9/64*40*6
F23	S150040501SD	M4*5	H6	SA30740801CL	9/64*40*8

H. J. K

No.	Part No.	Remark	No.	Part No.	Remark
H	Truss Head Screw		H56	S130060801SD	M6*8
H7	S130470301MZ	M2.5*3	H57	S130061001SD	M6*10
H8	S130470302SD	M2.5*3	H58	S130062201SD	M6*22
H9	S130470401MZ	M2.5*4	H59	S130062501SD	M6*25
H10	S130470402SA	M2.5*4	H60	S130063501SD	M6*35
H11	S130470403SD	M2.5*4	H61	S130064001SD	M6*40
H12	S130030301MZ	M3*3	H62	S130031501SD	M3*15
H13	S130030302SD	M3*3	H63	S130043501SD	M4*35
H14	S130030402SD	M3*4	H64	S130020201SD	M2*2
H15	S130030501MZ	M3*5	H65	S130470501SD	M2.5*5
H16	S130030502SD	M3*5	H66	S130052002MZ	M5*20
H17	S130030601MZ	M3*6	H67	S130054501SE	M5*45
H18	S130030602SD	M3*6	H68	S130050502MZ	M5*5
H19	S130030603SA	M3*6	H69	S130054001SD	M5*40
H20	S130030802SD	M3*8	H70	S130055001SD	M5*50
H21	S130030803SA	M3*8	H71	S130030801MZ	M3*8
H22	S130031001MZ	M3*10	H72	S130052201SD	M5*22
H23	S130031002SD	M3*10	H73	S130041802MZ	M4*18
H24	S130032001SD	M3*20	H74	S130055501SD	M5*55
H25	S130040401MZ	M4*4			
H26	S130040402SD	M4*4	J	Round Head Screw	
H27	S130040501MZ	M4*5	J1	S162020301MZ	M2*3
H28	S130040502SD	M4*5	J2	S162030801SD	M3*8
H29	S130040601MZ	M4*6	J3	S162030802SE	M3*8
H30	S130040602SD	M4*6	J4	S162031001MZ	M3*10
H31	S130040651SD	M4*6.5			
H32	S130040801MZ	M4*8			
H33	S130040802SD	M4*8			
H34	S130040803MZ	M4*8 JIS			
H35	S130041002MZ	M4*10			
H36	S130041001SD	M4*10	K	Slotted Set Screw	
H37	S130041201SD	M4*12	K1	SA71730351CN	1/8*44*3.5
H38	S130041502SD	M4*15	K2	SA71740601CN	9/64*40*6
H39	S130042001SD	M4*20	K3	SA71750251CN	11/64*40*2.5
H40	S130050501SD	M5*5	K4	SA71750351CN	11/64*40*3.5
H41	S130050602MZ	M5*6	K5	SA71750401CN	11/64*40*4
H42	S130050601SD	M5*6	K6	SA71750501CN	11/64*40*5
H43	S130050651SD	M5*6.5	K7	SA71790501CN	15/64*28*5
H44	S130050701SD	M5*7	K8	SA71791001CN	15/64*28*10
H45	S130050801MZ	M5*8	K9	SA71791501CN	15/64*28*15
H46	S130050802SD	M5*8	K10	SA71791701CN	15/64*28*17
H47	S130051002MZ	M5*10	K11	SA71800401CN	1/4*40*4
H48	S130051001SD	M5*10	K12	SA71800451CN	1/4*40*4.5
H49	S130051201MZ	M5*12	K13	SA71800501CN	1/4*40*5
H50	S130051202SD	M5*12	K14	SA71800601CN	1/4*40*6
H51	S130051501SD	M5*15	K15	SA71800801CN	1/4*40*8
H52	S130052001SD	M5*20	K16	SA71811201CN	9/32*28*12
H53	S130052502SD	M5*25	K17	S171050601TN	M5*6
H54	S130053001SD	M5*30	K18	S171030601SD	M3*6
H55	S130053501SD	M5*35			

L. M. N

No.	Part No.	Remark	No.	Part No.	Remark
L Hexagon Socket Head Set Screw			M Hexagon Socket Head Button Screw		
L1	SA70730251CN	1/8*44*2.5	M1	S124030401SC	M3*4
L2	SA70730301CN	1/8*44*3	M2	S124040601SC	M4*6
L3	SA70750901CN	11/64*28*9	M3	S124040802SC	M4*8
L4	SA70750401CN	11/64*40*4	M4	S124040803SD	M4*8
L5	SA70750601CN	11/64*40*6	M5	S124051001SC	M5*10
L6	SA70750801CN	11/64*40*8	M6	S124051002SD	M5*10
L7	SA70790401CN	15/64*28*4	M7	S124051501SD	M5*15
L8	SA70790901CN	15/64*28*9	M8	S124081201SC	M8*12
L9	S170470301TN	M2.5*3	M9	S124081202SD	M8*12
L10	S170030201TN	M3*2	M10	S124081501SD	M8*15
L11	S170030301TN	M3*3	M11	S124030501SC	M3*5
L12	S170030401TN	M3*4	M12	S124030801SC	M3*8
L13	S170030501TN	M3*5	M13	S124030502TC	M3*5
L14	S170030601TN	M3*6	M14	S124030402SD	M3*4
L15	S170030801TN	M3*8	M15	S124030601SD	M3*6
L16	S170040301TN	M4*3	M16	S124040401SD	M4*4
L17	S170040401TN	M4*4	M17	S124030602SC	M3*6
L18	S170040501TN	M4*5	M18	S124030503SD	M3*5
L19	S170040601TN	M4*6	M19	S124031001MZ	M3*10
L20	S170040602TN	M4*6 Half Threads	M20	S124041001SD	M4*10
L21	S170040801TN	M4*8	M21	S124051201SD	M5*12
L22	S170041001TN	M4*10			
L23	S170041201TN	M4*12			
L24	S170050401TN	M5*4	N Screw with Washer		
L25	S170050501TN	M5*5	N1	S660480601SE	M2.6*6
L26	S170050601TN	M5*6	N2	S660030601SE	M3*6
L27	S170050801TN	M5*8	N3	S660030801SE	M3*8
L28	S170051001TN	M5*10	N4	S660031001SE	M3*10
L29	S170051201TN	M5*12	N5	S660031501SE	M3*15
L30	S170051501TN	M5*15	N6	S660031601SE	M3*16
L31	S170060501TN	M6*5	N7	S660031801SE	M3*18
L32	S170060601TN	M6*6	N8	S660040601SE	M4*6
L33	S170060801TN	M6*8	N9	S660040801SE	M4*8
L34	S170061001TN	M6*10	N10	S660041001SE	M4*10
L35	S170061801TN	M6*18	N11	S660041201SE	M4*12
L36	S170080801TN	M8*8	N12	S660045501SE	M4*55
L37	S170081001TN	M8*10	N13	S660051001SE	M5*10
L38	S170081501TN	M8*15	N14	S660051201SE	M5*12
L39	S170031001TN	M3*10	N15	S660051401SE	M5*14
L40	S170031201TN	M3*12	N16	S660051801SE	M5*18
L41	S170053001TN	M5*30	N17	S660030801MZ	M3*8
L42	S170061201TN	M6*12	N18	S660030502MZ	M3*5
L43	S174060601TN	M6*6B	N19	S660031502MZ	M3*15
L44	S170050802TN	M5*8 Narrow Treading	N20	S660030603S1	M3*6 (P-4)
L45	S170050602TN	M5*6 Narrow Treading	N21	S660030802S1	M3*8 (P-3)
			N22	S660030604S1	M3*6 (P-3)
			N23	S660031802S1	M3*18 (P-3)
			N24	S660040602S1	M4*6 (P-3)
			N25	S660040802S1	M4*8 (P-3)

N. P. R

No.	Part No.	Remark	No.	Part No.	Remark
N	Screw with Washer		P33	S210060003SD	M6 Type 1
N26	S660041002S1	M4*10 (P-3)	P34	S210060004SD	M6 Type 1 (Left)
N27	S660043001S1	M4*30 (P-3)	P35	S212060001SC	M6 Type 3
N28	S660051002S1	M5*10 (P-3)	P36	S210080001SC	M8 Type 1
N29	S660031803S1	M3*18 (P-4)	P37	S210080002SD	M8 Type 1
N30	S660030505S1	M3*5 (P-4)	P38	S212080001SC	M8 Type 3
N31	S660031504S1	M3*15 (P-4)	P39	S212080002SD	M8 Type 3
N32	S660031002S1	M3*10 (P-4)	P40	S210100001SC	M10 Type 1
N33	S660040803S1	M4*8 (P-4)	P41	S213100002SD	M10 With Flange
N34	S660030504S1	M3*5 (P-3)	P42	S213100003SD	M10 With Disk Spring
N35	S660020401S1	M2*4 (P-4)	P43	S210120001SC	M12 Type 1
N36	S660031505S1	M3*15 (P-3)	P44	S212120001SC	M12 Type 3
N37	S660041202S1	M4*12 (P-3)	P45	S212120002SD	M12 Type 3
			P46	S210160001SD	M16 Type 1
			P47	S212160002SC	M16 Type 1
			P48	S212160001SD	M16 Type 3
			P49	S210200001SC	M20 Type 1
P	Nut		P50	S212470001SC	M2.5 Type 3
P1	SB10730601CN	1/8*44*6*3	P51	SB12750701SC	11/64*7*2.2 Type 3
P2	SB10740601CL	9/64*40*6*2	P52	S211040001SD	M4 Type 2
P3	SB10740602CN	9/64*40*6*3	P53	SB12740601MZ	9/64*6*2 Type 3
P4	SB10750602CN	11/64*40*6*2	P54	SB10750601CN	11/64*6*2.2
P5	SB10750603CN	11/64*40*6*3	P55	S212030003SD	M3 Type 3
P6	SB10750701CN	11/64*40*7*3	P56	S217060001SD	M6 Cap
P7	SB11750701CN	11/64*40*7*3	P57	S217030001SD	M3 Cap
P8	S210420001XA	M1.6 Type 1	P58	S212200001SC	M20 Type 3
P9	S210020001SD	M2 Type 1	P59	S212160002SC	M16 Type 3
P10	S212020002SD	M2 Type 3	P60	SB10750702CN	11/64*7*2.2
P11	S210460002SD	M2.3 Type 1	P61	SB10740605CN	9/64*40*6*1.5
P12	S210470001MZ	M2.5 Type 1			
P13	S212480001SD	M2.6 Type 3			
P14	S210030001MZ	M3 Type 1			
P15	S210030002SC	M3 Type 1			
P16	S210030003SD	M3 Type 1			
P17	S215030001SD	M3 Thumbscrew Type 2	R	Washer	
P18	S212030001SC	M3 Type 3	R1	S301410301MZ	Plain M1.4*3*t0.3
P19	S212030002SD	M3 Type 3	R2	S301020351XZ	Plain M2*3.5*t0.5
P20	S212530001SC	M3.5 Type 3	R3	S301020431SD	Plain M2*4.3*t0.3
P21	S210040001SC	M4 Type 1	R4	S301480501XB	Plain M2.6*5*t0.5
P22	S210040002SD	M4 Type 1	R5	S301480751XB	Plain M2.6*7.5*t0.5
P23	S212040001SC	M4 Type 3	R6	S301030602XZ	Plain M3*6*t0.3
P24	S212040002SD	M4 Type 3	R7	S301030603SC	Plain M3*6*t0.5
P25	S217040001SD	M4 Cap	R8	S301030601SD	Plain M3*6*t0.5
P26	S210050001SC	M5 Type 1	R9	S301030701SD	Plain M3*7*t0.5
P27	S210050002SD	M5 Type 1	R10	S301030804SD	Plain M3*8*t0.3
P28	S212050001SC	M5 Type 3	R11	S301030805MZ	Plain M3*8*t0.5
P29	S212050002SD	M5 Type 3	R12	S301030801SC	Plain M3*8*t0.5
P30	S217050001SD	M5 Cap	R13	S301030802SD	Plain M3*8*t0.5
P31	S210060001SC	M6 Type 1	R14	S301030803SD	Plain M3*8*t1
P32	S210060002SC	M6 Type 1 (Left)	R15	S301040805SC	Plain M4*8*t0.5

R

No.	Part No.	Remark	No.	Part No.	Remark
R	Washer		R65	S306080001SC	Slant M8
R16	S301040802SD	Plain M4*8*t0.5	R66	S303040801SC	Disk Spring M4
R17	S301040804SC	Plain M4*8*t0.8	R67	S301041005EZ	Plain M4*10*t0.8
R18	S301040803SD	Plain M4*8*t0.8	R68	S301470252MZ	Plain M2.5*5*t0.5
R19	S301041004MZ	Plain M4*10*t0.8	R69	S301030605SD	Plain M3*6*t1.0
R20	S301041002SC	Plain M4*10*t0.8	R70	S301030604MZ	Plain M3*6*T0.5
R21	S301041003SD	Plain M4*10*t0.8	R71	S305051101TN	Wave M5
R22	S301041201SC	Plain M4*12*t1	R72	S301470253SD	Plain M2.5*5*t0.5
R23	S301051002SC	Plain M5*10*t0.8	R73	S301470251SC	Plain M2.5*5*t0.5
R24	S301051003SD	Plain M5*10*t0.8	R74	S305101451TN	Wave M10
R25	S301051204MZ	Plain M5*12*t0.8	R75	S304080001TP	With teeth M8
R26	S301051202SC	Plain M5*12*t0.8	R76	S301061152SD	Plain M6*11.5*t0.8
R27	S301051203SD	Plain M5*12*t0.8	R77	S301122601SC	Plain M12*26*t2.3
R28	S301061102SC	Plain M6*11*t1.6	R78	S304060002SD	With teeth M6
R29	S301061151SC	Plain M6*11.5*t0.8	R79	S304040852TP	With teeth M4 Outward
R30	S301061301SC	Plain M6*13*t1.0	R80	S301041202SD	Plain M4*12*t1.0
R31	S301061302SD	Plain M6*13*t1.0	R81	S301040901EZ	Plain M4*9*t0.3
R32	S301061601SC	Plain M6*16*t1.0	R82	S301051207EZ	Plain M5*12*t1.0
R33	S301081601SD	Plain M8*16*t1.2	R83	S301122601SD	Plain M12*26*t2.3
R34	S301081801SC	Plain M8*18*t1.6	R84	S402120002KD	Spring M12
R35	S301081802SD	Plain M8*18*t1.6			
R36	S301081803SC	Plain M8*18*t3.2			
R37	S301082201SC	Plain M8*22*t3.2			
R38	S301102201SC	Plain M10*22*t1.6			
R39	S301102601SC	Plain M10*26*t3.2			
R40	S301102602SD	Plain M10*26*t3.2			
R41	S301122051SC	Plain M12*20.5*t2			
R42	S301163201SD	Plain M16*32*t2.5			
R43	S402020001KD	Spring M2			
R44	S402480001KC	Spring M2.6			
R45	S402030001KC	Spring M3			
R46	S402030002KD	Spring M3			
R47	S402530001KC	Spring M3.5			
R48	S402040001KC	Spring M4			
R49	S402040002KD	Spring M4			
R50	S402050001KC	Spring M5			
R51	S402050002KD	Spring M5			
R52	S402050003MZ	Spring M5			
R53	S402060001KC	Spring M6			
R54	S402060002KD	Spring M6			
R55	S402080001KC	Spring M8			
R56	S402080002KD	Spring M8			
R57	S402100001KC	Spring M10			
R58	S402100002KD	Spring M10			
R59	S402120001KC	Spring M12			
R60	S305041101TP	Wave M4			
R61	S305051001TN	Wave M5			
R62	S305061051TN	Wave M6			
R63	S304040851TP	With teeth M4			
R64	S304051001TP	With teeth M5			

■ **Manufactured by:**
Tokai Industrial Sewing Machine Co., Ltd.

NO.1800, Ushiyama-cho, Kasugai, Aichi-pref., 486-0901, Japan
Telephone:568-33-1161 Fax:568-33-1191

■ **Distributed by:**
Tajima Industries Ltd.

19-22, Shirakabe, 3-chome, Higashi-ku, Nagoya, 461-0011, Japan
Telephone:52-932-3444 Fax:52-932-2457

THE TAJIMA GROUP

<http://www.tajima.com>

Tajima Industries Ltd.

19-22, Shirakabe, 3-chome, Higashi-ku, Nagoya, 461-0011, JAPAN
TEL.81-52-932-3811 FAX.81-52-932-3815

Tokai Industrial Sewing Machine Co.,Ltd.

NO.1800, Ushiyama-cho, Kasugai, Aichi-pref., 486-0901, JAPAN
TEL.81-568-33-1161 FAX.81-568-33-1191