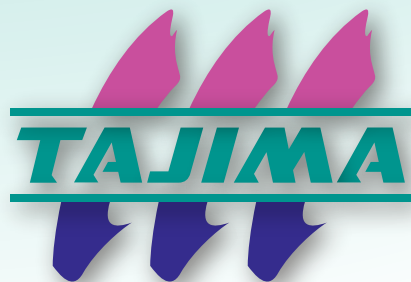


***PARTS LIST***

---

***TFMX-II C***



# Table of Contents

● GENERAL VIEW	
● FRAMING.....	MJ-1
● TABLE.....	MJ-2
● MAIN SHAFT DRIVE SYSTEM.....	MJ-3
● GEAR BOX.....	MJ-4
● CYLINDER BED 1.....	MJ-5-1
● CYLINDER BED 2.....	MJ-5-2
● COLOR CHANGE SYSTEM A.....	MJ-6a
● COLOR CHANGE SYSTEM B.....	MJ-6b
● ARM 1.....	MJ-7-1
● ARM 2.....	MJ-7-2
● ARM 3.....	MJ-7-3
● NEEDLE BAR CASE 1.....	MJ-8-1
● NEEDLE BAR CASE 2.....	MJ-8-2
● FRONT COVER.....	MJ-9
● UPPER THREAD HOLDER.....	MJ-10
● CAM DRIVE SYSTEM.....	MJ-11
● X-AXIS DRIVE SYSTEM 1.....	MJ-12-1
● X-AXIS DRIVE SYSTEM 2.....	MJ-12-2
● Y-AXIS DRIVE SYSTEM.....	MJ-13
● AUXILIARY DRIVE SYSTEM A (WIRE TYPE).....	MJ-14a
● AUXILIARY DRIVE SYSTEM B (BELT TYPE).....	MJ-14b
● TENSION BASE.....	MJ-15
● THREAD STAND.....	MJ-16
● EMBROIDERY FRAME.....	MJ-17
● ELECTRICAL PARTS.....	MJ-18
● OPERATION PANEL.....	MJ-19

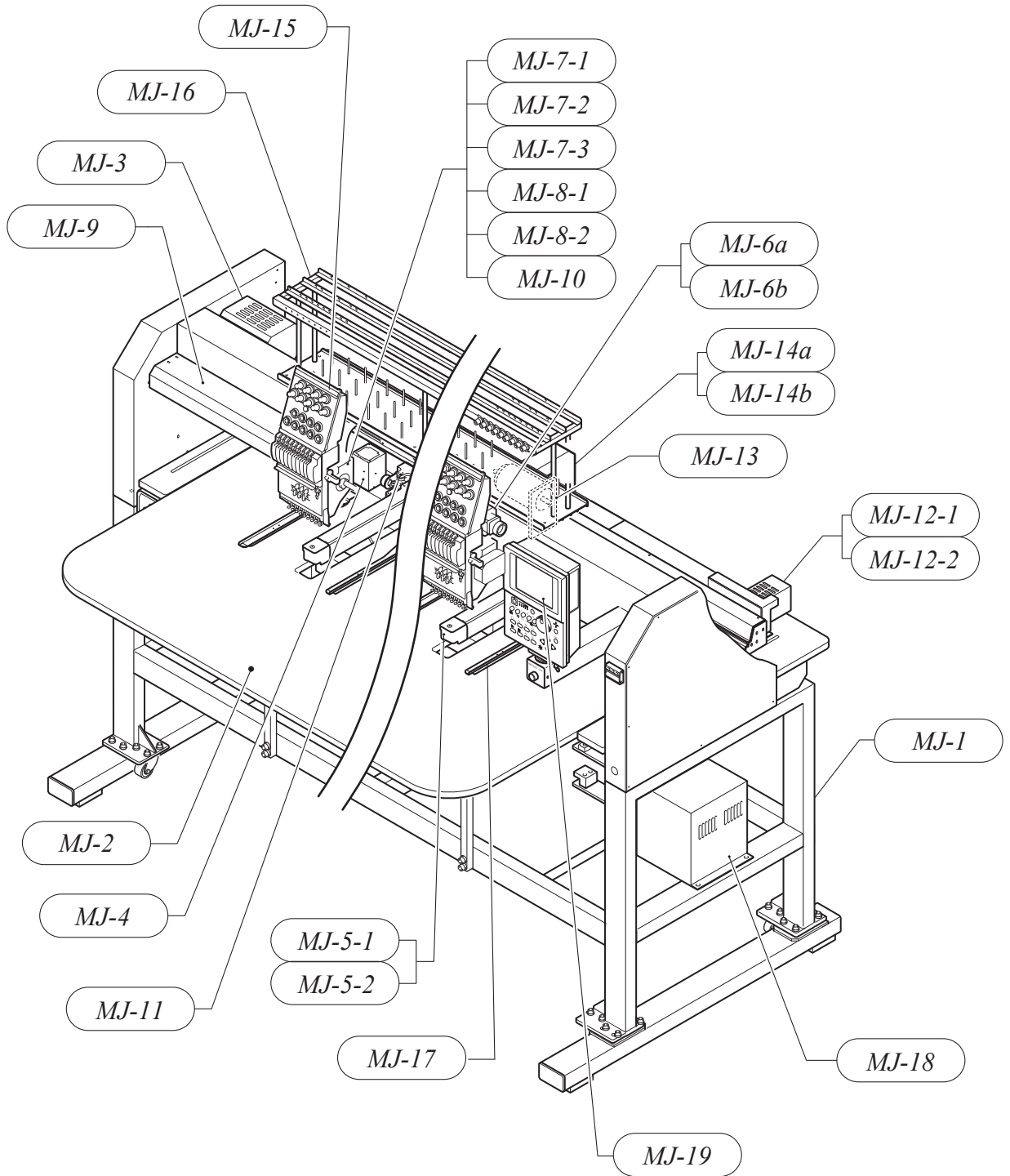
Part Nos. of screws, nuts, washers etc. are listed at the end of volume.

\*Regarding the part number that contains description of @, the part differs depending on model, spec. etc.

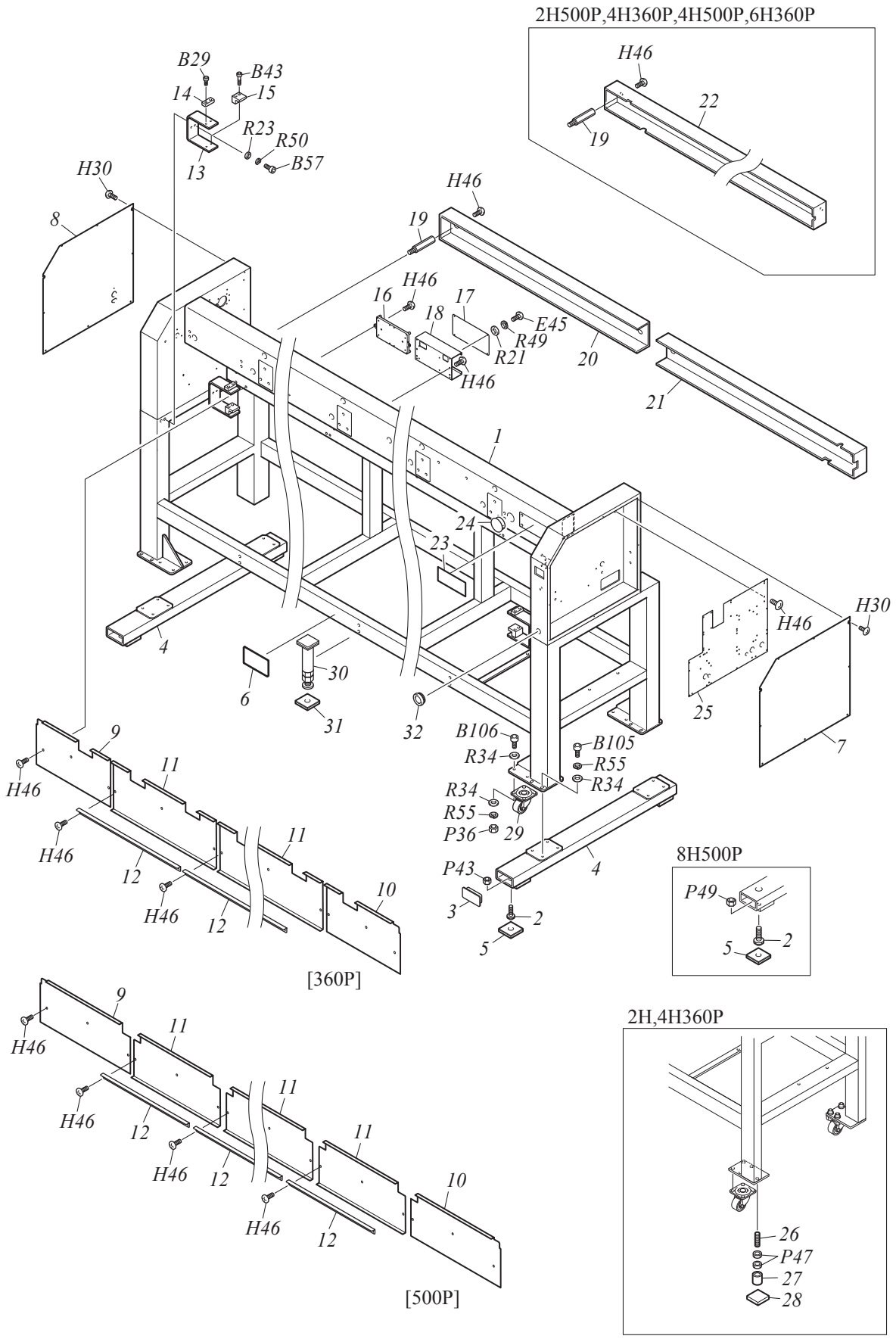
\*When you place an order of such a part, please also inform us of your model, embroidery space and manufacturing number of the machine.

<b>Ex.</b>	TFMX-IIC906	(450 x 360)S	No.01234
	[Model]	[Emb. Space]	[Mfg. No.]

GENERAL VIEW



FRAMING



# FRAMING

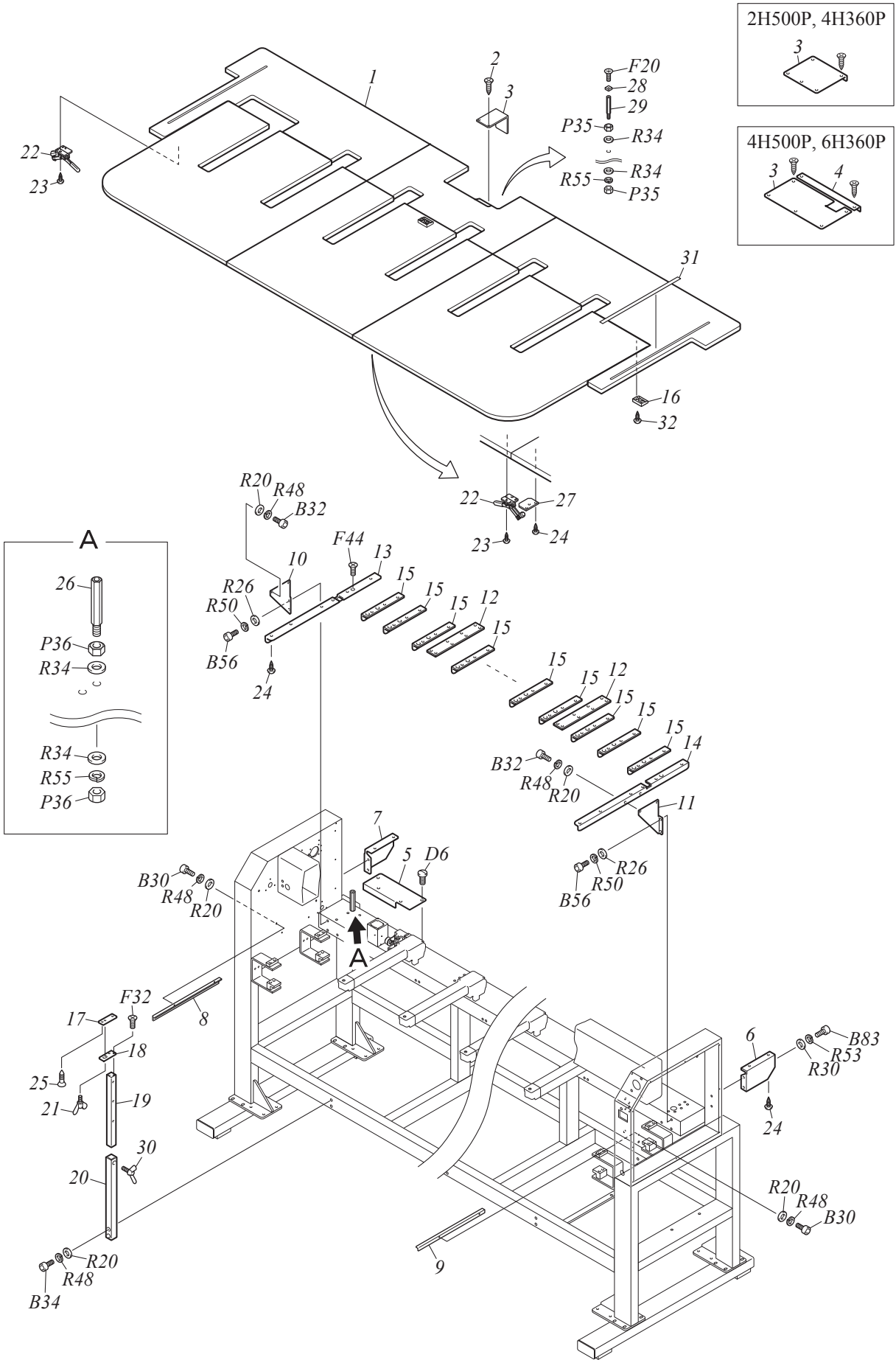
MJ-1

No.	Part Name	Part No.	Remark
1	STAND[A]	MQ4@@@@@A10	
2	LEVELING BOLT :M12*50	030530040000	
2	LEVELING BOLT :M20*70	030530010000	8H500P
3	COVER :STAND BASE	030410150010	
4	FRAME :STAND	110450010010	4H500P, 6H, 8H360P
4	FRAME :STAND	110450070000	8H500P
5	VIBRATION-PREVENTIVE BASE [S]	030520090S00	
6	TAJIMA BRAND NAME PLATE	030710110000	
7	COVER :RIGHT-SIDE BOX	030430760000	
8	COVER :LEFT-SIDE BOX	030430770000	
9	STAND FRONT FACE COVER :L :360P	03041021L010	360P
9	STAND FRONT FACE COVER :L :500P	03041022L010	500P
10	STAND FRONT FACE COVER :R :360P	03041021R010	360P
10	STAND FRONT FACE COVER :R :500P	03041022R010	500P
11	STAND FRONT FACE COVER :08H/360P	030410143900	360P
11	STAND FRONT FACE COVER :06H/500P	030410145000	500P
12	TABLE HOLDER :STAND FRONT COVER	15213001@000	
13	TABLE HOLDER :FRONT :C	15213002C000	2H, 4H360P, 6H500P, 8H
13	TABLE HOLDER :FRONT :D	15213002D000	4H500P, 6H360P
14	STOPPER :TABLE :FRONT	152130070060	
15	STOPPER :TABLE :REAR	152130060010	
16	BRACKET :HEAD CARD	0J1941800000	
17	COVER :Y DRIVER	030190262000	
18	BOX :Y DRIVER	03019025A000	
19	STUD :NO.1 :M8-75	505105200000	360P
19	STUD :NO.1 :M8-125	505108180000	500P
20	WIRING COVER :A	1B5@@@01A000	360P
20	WIRING COVER :A/P3	1B5@@@03A000	500P
21	WIRING COVER :B	1B5@@@01B010	360P
21	WIRING COVER :B/P3	1B5@@@03B000	500P
22	WIRING COVER	1B5@@@010010	360P
22	WIRING COVER/P3	1B5@@@030000	500P
23	MAIN NAME PLATE :TFMX-2C	14Q40@@@0010	360P
23	MAIN NAME PLATE :TFMX-2C :WIDE TYPE	14Q41@@@0000	500P
24	CAP :HARNESS :30MM DIA.	0J1502100000	500P
25	BASE :CARD	030190340050	
26	STRAIGHT BOLT :M16*70	511G16010000	
27	LEVELING BLOCK	030520030000	
28	VIBRATION-PREVENTIVE RUBBER	030520020000	
29	CASTER :SGW-65 PHB	614300190000	2H, 4H360P
29	CASTER :STH-65 GNB	614300200000	4H500P, 6H, 8H
30	CENTER SUPPORT :NO.1[S]	030510080S00	6H500P, 8H
31	VIBRATION-PREVENTIVE BASE[S]	030520040S00	
32	GROMMET WITH FILM :26A	644500210000	
33			
34			
35			
36			
37			
38			

Note: As for parts with mark @, please follow our instructions on Table of Contents in your parts order.

(QS06)

TABLE

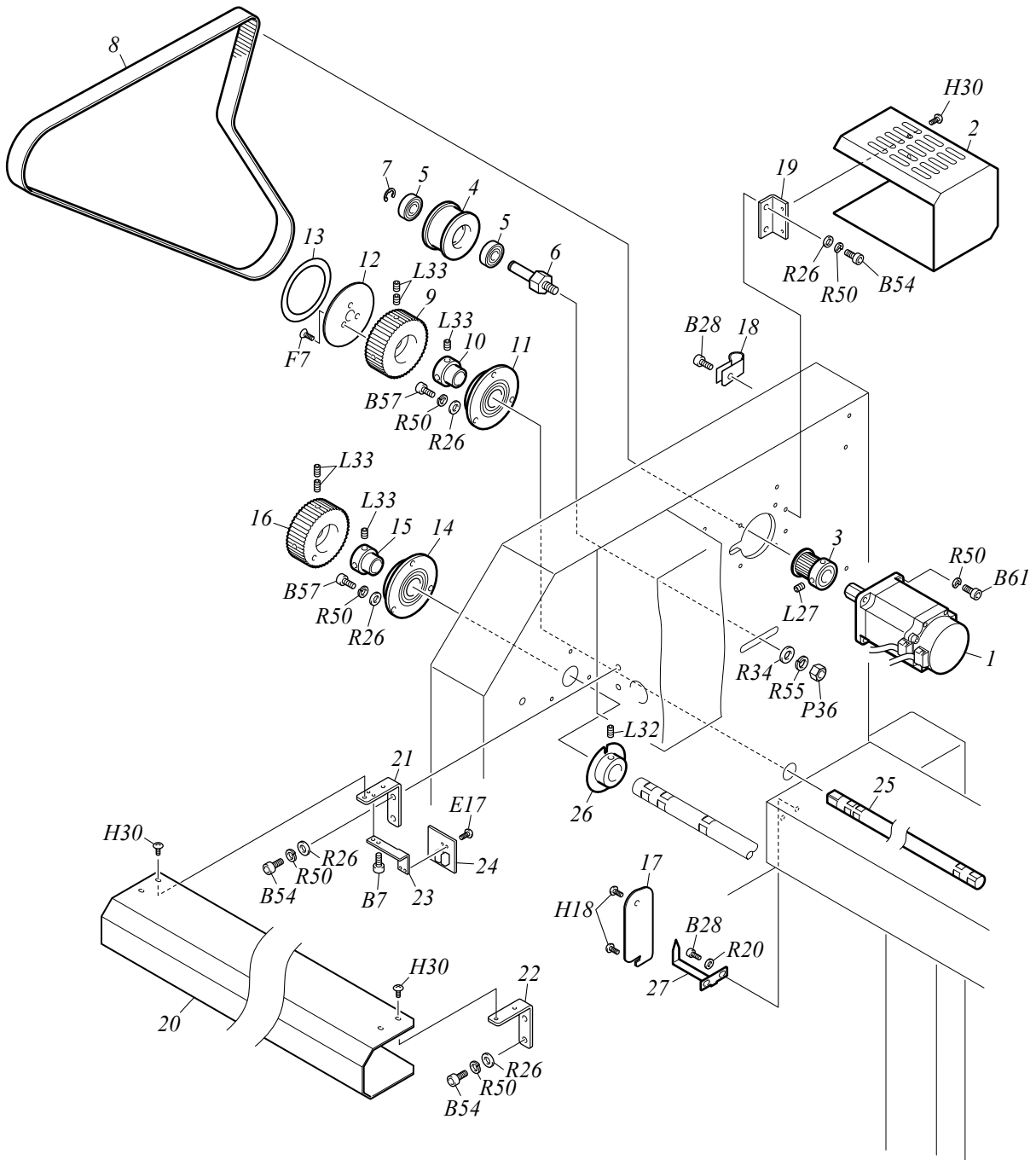


# TABLE

MJ-2

No.	Part Name	Part No.	Remark
1	TABLE	2Q4@@@@@0020	
2	COUNTERSUNK TAPPING SCREW :3P*12	S550031202SD	
3	COVER :Y MOTOR	134250050000	6H500P, 8H360P
3	COVER :Y MOTOR :A/GES	0L2230420000	2H
3	COVER :Y MOTOR :A	13425006A000	4H360P
3	COVER :Y MOTOR :B	13425006B000	4H500P, 6H360P
4	COVER :Y MOTOR :C	13425006C000	
5	TABLE COVER :ATH BOX	134290070000	
6	TABLE SUPPORT :NO.12 :L	15121005L050	
7	TABLE SUPPORT :NO.12 :R	15121005R050	
8	TABLE HOLDER :L	15213013L000	
9	TABLE HOLDER :R	15213013R000	
10	BRACKET :TABLE SUPPORT :L	15121007L000	
11	BRACKET :TABLE SUPPORT :R	15121007R000	
12	JOINT :TABLE	152140100010	
12	JOINT :TABLE	152140100020	8H500P
13	TABLE SUPPORT :NO.12 :L	15121002L050	
14	TABLE SUPPORT :NO.12 :R	15121002R050	
15	TABLE SUPPORT :NO.12	151210040050	
16	STOPPER :TABLE	030620030020	
17	BASE :TABLE STAY	030390160010	
18	BRACKET :TABLE STAY	030390170010	
19	STAY :TABLE[S]	030540020S10	
20	HOLDER :TABLE STAY	030540010000	
21	WING BOLT :M6*L12	S180061201SD	
22	TOGGLE CLAMP :GY1001	615500030001	
23	TRUSS HEAD TAPPING SCREW :4P*16	S530041601SD	
24	TRUSS HEAD TAPPING SCREW :4.5P*20	S530512001SD	
25	COUNTERSUNK TAPPING SCREW :4P*20	S550042001SD	
26	STUD :NO.1 :M8*35	505108160000	
27	TABLE ALIGNING PLATE	152130050000	Excluding 2-Head M/C
28	FELT :LID HOLDER	030790040000	
29	STUD :NO.1 :M8-82	505108020000	
30	WING BOLT :M6*L20	S180062001SD	
31	TRAVERSE SCALE	0P1200020000	
32	TRUSS HEAD TAPPING SCREW :4P*25	S530042501SD	
33			
34			
35			
36			
37			
38			
39			
40			
41			
42			
43			
44			
45			
46			

MAIN SHAFT DRIVE SYSTEM



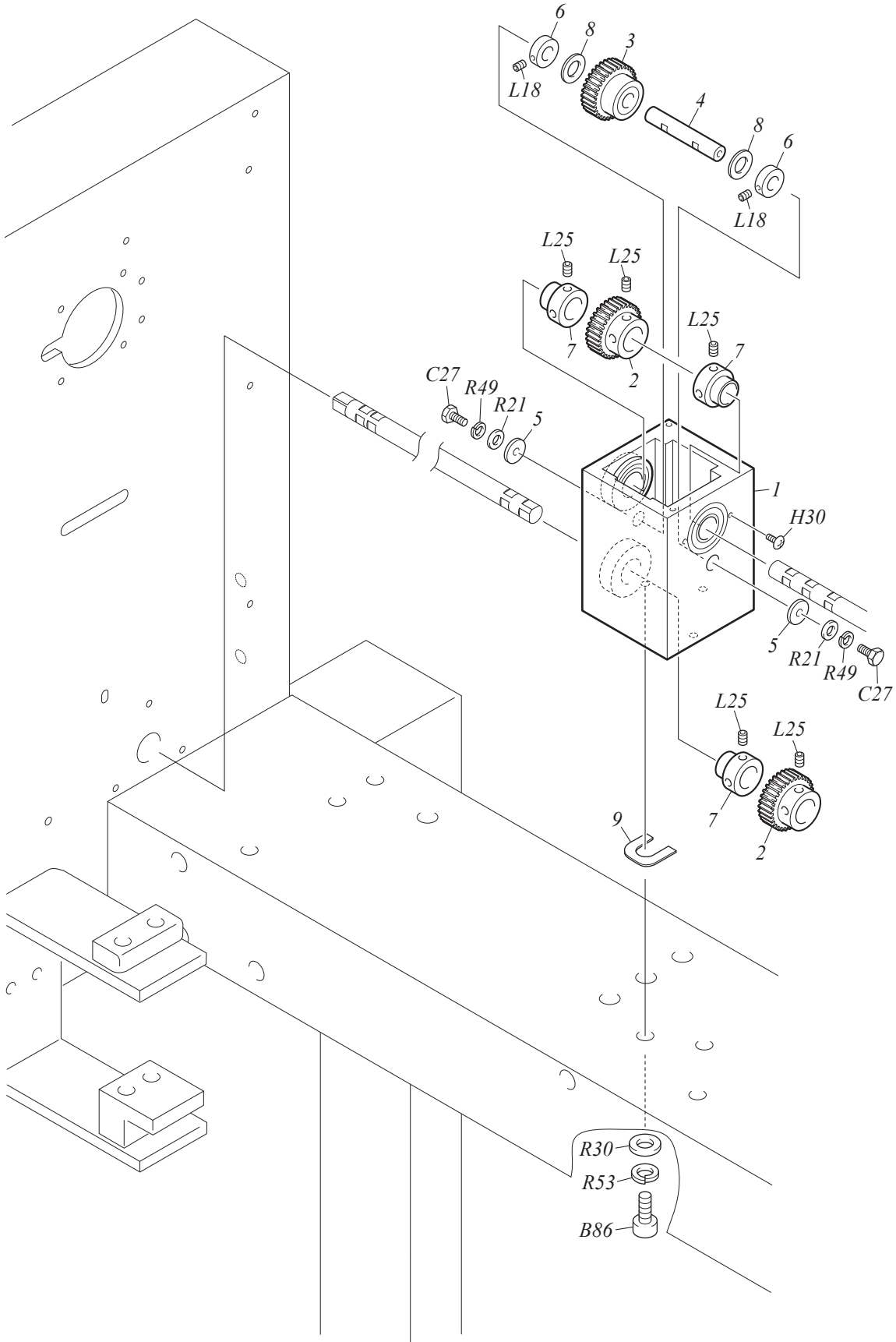


# MAIN SHAFT DRIVE SYSTEM

MJ-3

No.	Part Name	Part No.	Remark
1	SERVO MOTOR :200W	0J6300800000	2H
1	SERVO MOTOR :400W	0J6300900000	
2	COVER :MAIN MOTOR	030150170000	
3	TIMING PULLEY :MAIN SHAFT :W15-16[S]	501430150S00	2H
3	TIMING PULLEY :W20-16	501440030000	
4	FLAT PULLEY :45MM DIA.	501902020000	
4	FLAT PULLEY :40MM DIA.	501901010030	2H
5	BEARING :6000ZZ	630200050000	
6	SCREW WITH ROLLER PIN :NO.3 :M8	514308050000	
7	E-RING :7MM DIA.	611100100000	
8	TIMING BELT :SPTG :W15-S5M1195/G	623200230000	2H
8	TIMING BELT :SPTG :W20-S5M1270/G	623300210000	4H, 6H, 8H360P
8	TIMING BELT :SPTG :W20-S5M1350/G	623300190000	8H500P
9	TIMING PULLEY :B :W15-40	50143303B000	2H
9	TIMING PULLEY :B :W20-60	50144601B000	
10	BEARING COLLAR :15MM DIA.	502715040010	
11	BEARING CASE :NO.2 :20MM DIA.[S]	508220060S00	
12	BASE :ANGLE INDICATOR	040420210010	2H
13	ANGLE INDICATOR	040420230010	
14	BEARING CASE :NO.2 :22MM DIA.[S]	508222020S00	
15	BEARING COLLAR :18MM DIA.	502718010010	
16	TIMING PULLEY :A :W15-40	50143303A000	2H
16	TIMING PULLEY :A :W20-60	50144601A000	
17	LID :HANDLE	0L2210010000	
18	CLAMP :5N	644500050000	
19	BRACKET :COVER	030460050010	
20	SHAFT COVER :360-500P	17016008@000	
21	BASE :SENSOR :WITH SPACER	040360030010	
22	BRACKET :SHAFT COVER :B	030460130010	
23	BRACKET :SENSOR	040360020010	
24	CARD :PHOTO-INTERRUPTER	0J4201600020	
25	BASE SHAFT :ROTARY HOOK :15P*343	040130080010	360P
25	BASE SHAFT :ROTARY HOOK :15P*480	040130090000	500P
26	ROTATING DETECTING PLATE[S]	040360050S10	
27	POINTER	040410070010	2H
27	POINTER	040410100010	
28			
29			
30			
31			
32			
33			
34			
35			
36			
37			
38			
39			
40			
41			

GEAR BOX

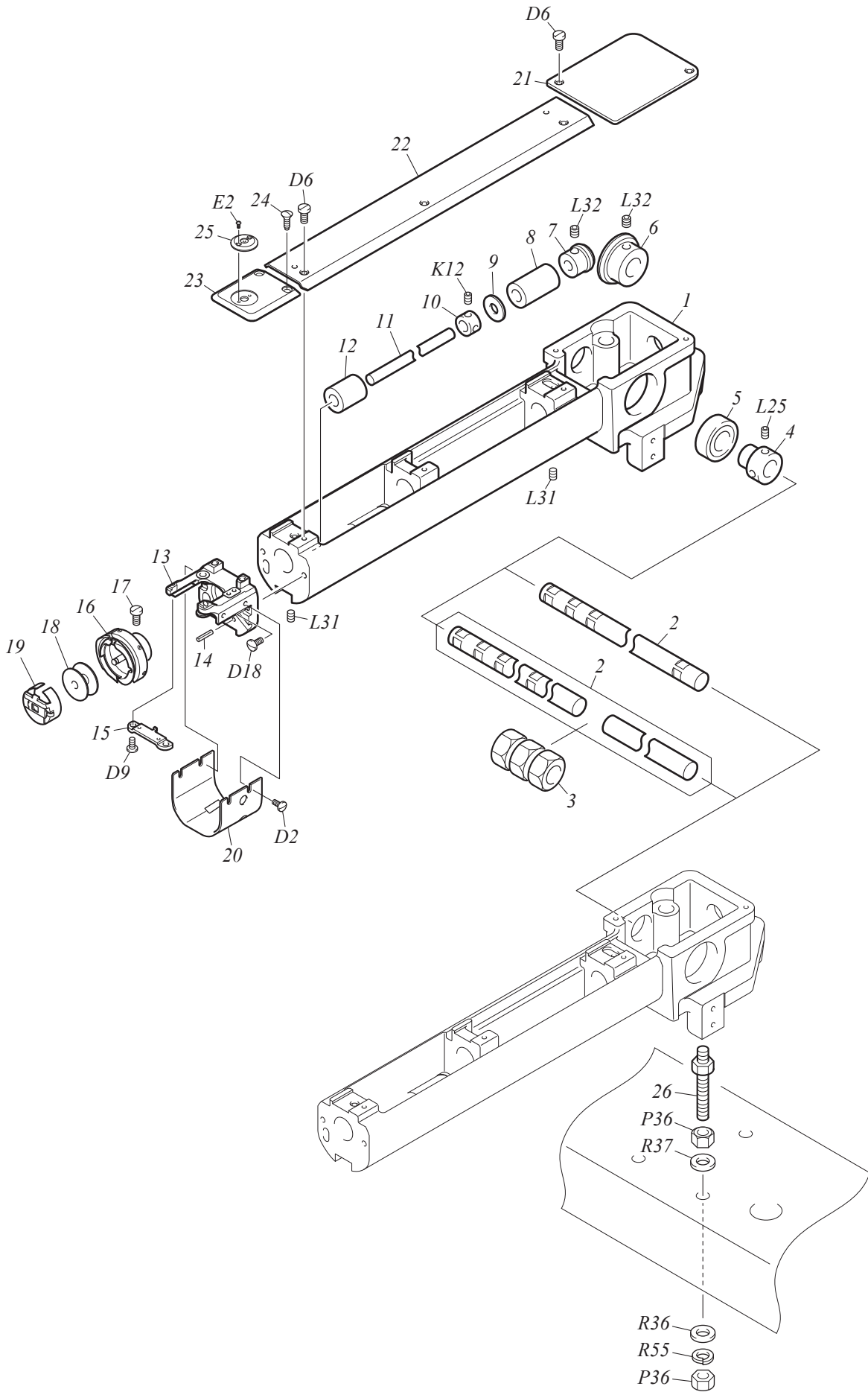


# GEAR BOX

**MJ-4**

No.	Part Name	Part No.	Remark
1	GEAR BOX :REGULAR ROTARY HOOK[S]	040130100S10	
1	GEAR BOX :JUMBO ROTARY HOOK[S]	04013010JS10	
2	SPUR GEAR :32T	506132030000	
3	SPUR GEAR :32T[S]	506132020S00	
4	BASE SHAFT :ROTARY HOOK	040130020000	
5	PLAIN WASHER :4.2*16*T2.3	519106010000	
6	STOPPER COLLAR :10MM DIA.	502110070000	
7	BEARING COLLAR :15MM DIA.	502715080000	
8	RULON WASHER :TW-1020	638400090000	
9	SPACER :NO.3 :T0.15	510300060000	
9	SPACER :NO.3 :T0.3	510300061000	
9	SPACER :NO.3 :T0.1	510300062000	
9	SPACER :NO.3 :T1	510300063000	
10			
11			
12			
13			
14			
15			
16			
17			
18			
19			
20			
21			
22			
23			
24			
25			
26			
27			
28			
29			
30			
31			
32			
33			
34			
35			
36			
37			
38			
39			
40			
41			
42			
43			
44			
45			
46			

CYLINDER BED 1

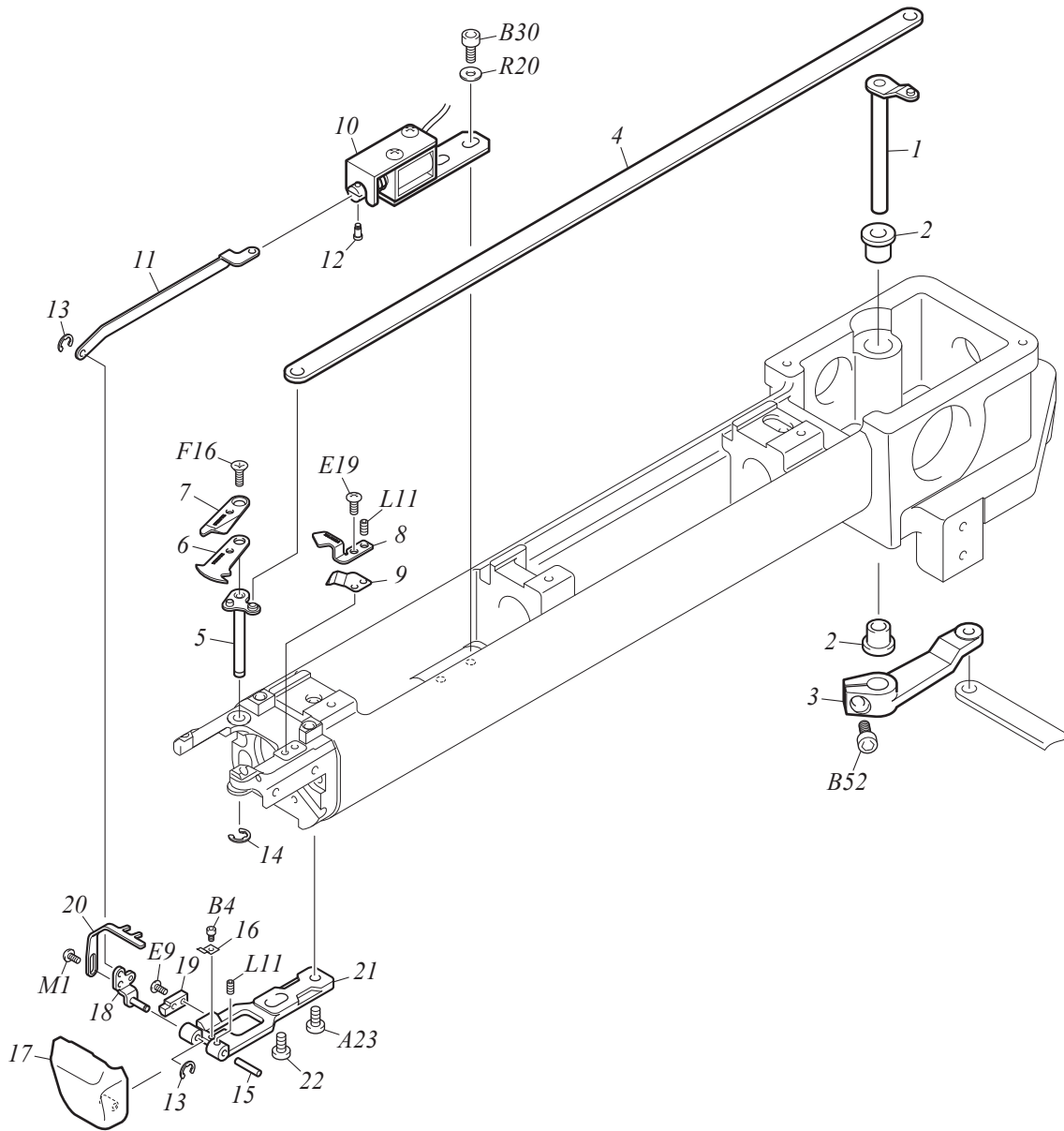


# CYLINDER BED 1

MJ-5-1

No.	Part Name	Part No.	Remark
1	CYLINDER BED :NO.1 :REGULAR ROTARY HOOK	05012001A000	
1	CYLINDER BED :NO.1 :JUMBO ROTARY HOOK	05012002A000	
2	R. H. BASE CONNECTING SHAFT :15MM DIA.	QQ4@020@0000	
3	N-COUPLING :N-15-15	504715010000	
4	BEARING COLLAR :15MM DIA.	502715080000	
5	BEARING :6003ZZ	630200080000	
6	SPIRAL BEVEL GEAR :NO.1 :28T	506528020000	
6	SPIRAL BEVEL GEAR :NO.1 :28T	506528030000	
7	SPIRAL BEVEL GEAR :NO.1 :14T	506514020040	Resin
7	SPIRAL BEVEL GEAR :NO.1 :14T	506514030000	
8	OIL-BUSHING :NO.1 :7.94MM DIA.	509179090010	
9	PLAIN WASHER :7.94*19*T0.8	519108030000	
10	STOPPER COLLAR :7.94MM DIA.	502107020000	
11	SHAFT :ROTARY HOOK :7.94MM DIA.	050330430000	
12	OIL-BUSHING :NO.1 :7.94MM DIA.	509179020000	
13	NEEDLE PLATE BRACKET	050330460010	
14	SPRING PIN :3*12	611400080000	
15	ROTARY HOOK SUPPORT	050330270020	
16	ROTARY HOOK :REGULAR ROTARY HOOK KHS12-RYPT2	050210170010	
16	ROTARY HOOK :JUMBO ROTARY HOOK KHS20-RYPOET2	05022005J010	
17	ROTARY HOOK SET SCREW :11/64*7.2	050290020000	
18	BOBBIN :REGULAR ROTARY HOOK	050260010020	
18	BOBBIN :HSM ALUMINUM FULL HARD ALUMITE	05027002J000	Jumbo Rotary Hook
19	BOBBIN CASE :REGULAR ROTARY HOOK :STANDARD	050240150000	
19	BOBBIN CASE :JUMBO ROTARY HOOK :STANDARD	05025001J000	
20	COVER :NEEDLE PLATE BRACKET	050330510010	
21	COVER :CYLINDER BED	050330350010	
22	COVER :CYLINDER BED :FRONT	050330450020	
23	NEEDLE PLATE :COMMON USE	050340150010	
24	ROUND COUNTERSUNK HEAD SCREW :11/64*8.4B	511554010000	
25	BOSS :COMMON USE NEEDLE PLATE	05034016@020	2.0 to 3.0mm Dia.
26	ROTARY HOOK BASE STUD	050310110000	
27			
28			
29			
30			
31			
32			
33			
34			
35			
36			
37			
38			
39			
40			
41			
42			
43			
44			

CYLINDER BED 2

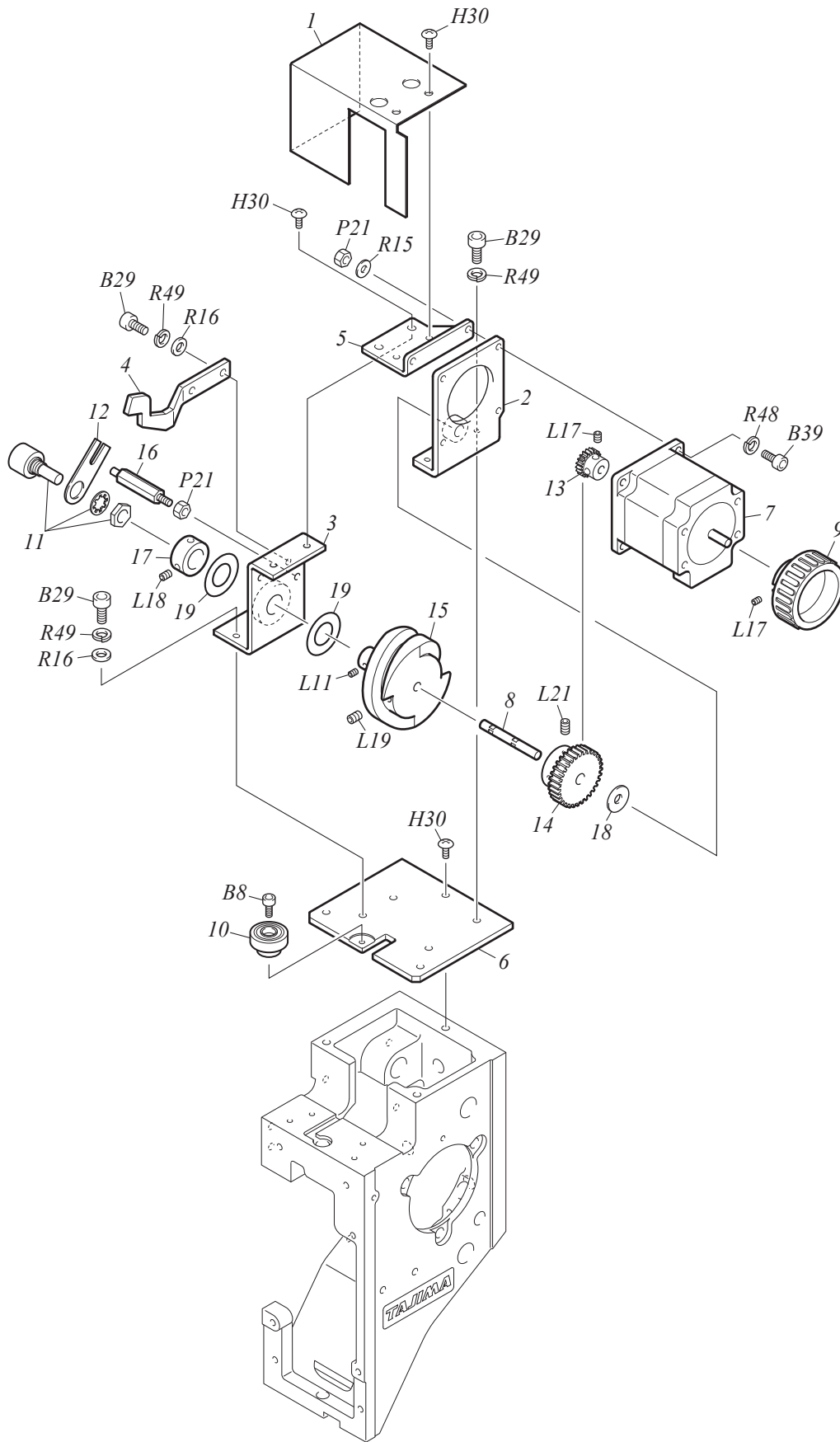


# CYLINDER BED 2

MJ-5-2

No.	Part Name	Part No.	Remark
1	LEVER SHAFT :KNIFE CONNECTING PLATE[S]	050320850S20	
2	OIL-BUSHING :NO.1 :F81212162	638100370000	
3	LEVER :KNIFE CONNECTING PLATE SHAFT	050321000000	
4	CONNECTING PLATE :KNIFE	050320800010	
5	LEVER SHAFT :KNIFE[S]	050320040S30	
6	THREAD SEPARATING PLATE :DIRECT MOVEMENT 2-BLADE TYPE	050320930000	
7	MOVABLE KNIFE :DIRECT MOVEMENT 2-BLADE TYPE	050320920000	
8	FIXED KNIFE :DIRECT MOVEMENT 2-BLADE TYPE	050320940000	
9	UNDER THREAD PRESSER	050320740000	
10	SOLENOID :OPEN FRAME[A]	0J6600100A00	
11	CONNECTING PLATE :PICKER	050320570010	
12	STEPPED SCREW :NO.1 :M2.5*6	512130010010	
13	E-RING :2MM DIA.	611100050000	
14	E-RING :4MM DIA.	611100070000	
15	STRAIGHT PIN :NO.1 :3MM DIA.	503101100000	
16	PLATE SPRING :ROTARY HOOK COVER :T0.2	507802050000	
17	ROTARY HOOK COVER	050330500020	
18	SHAFT :PICKER	050320750050	
19	STOPPER :PICKER	050320700000	
20	PICKER	050320760020	
21	HOLDER :PICKER SHAFT	050320840010	
22	FLAT FILLISTER HEAD SCREW :M6*10	511106010000	
23			
24			
25			
26			
27			
28			
29			
30			
31			
32			
33			
34			
35			
36			
37			
38			
39			
40			
41			
42			
43			
44			
45			
46			
47			
48			
49			
50			

COLOR CHANGE SYSTEM A



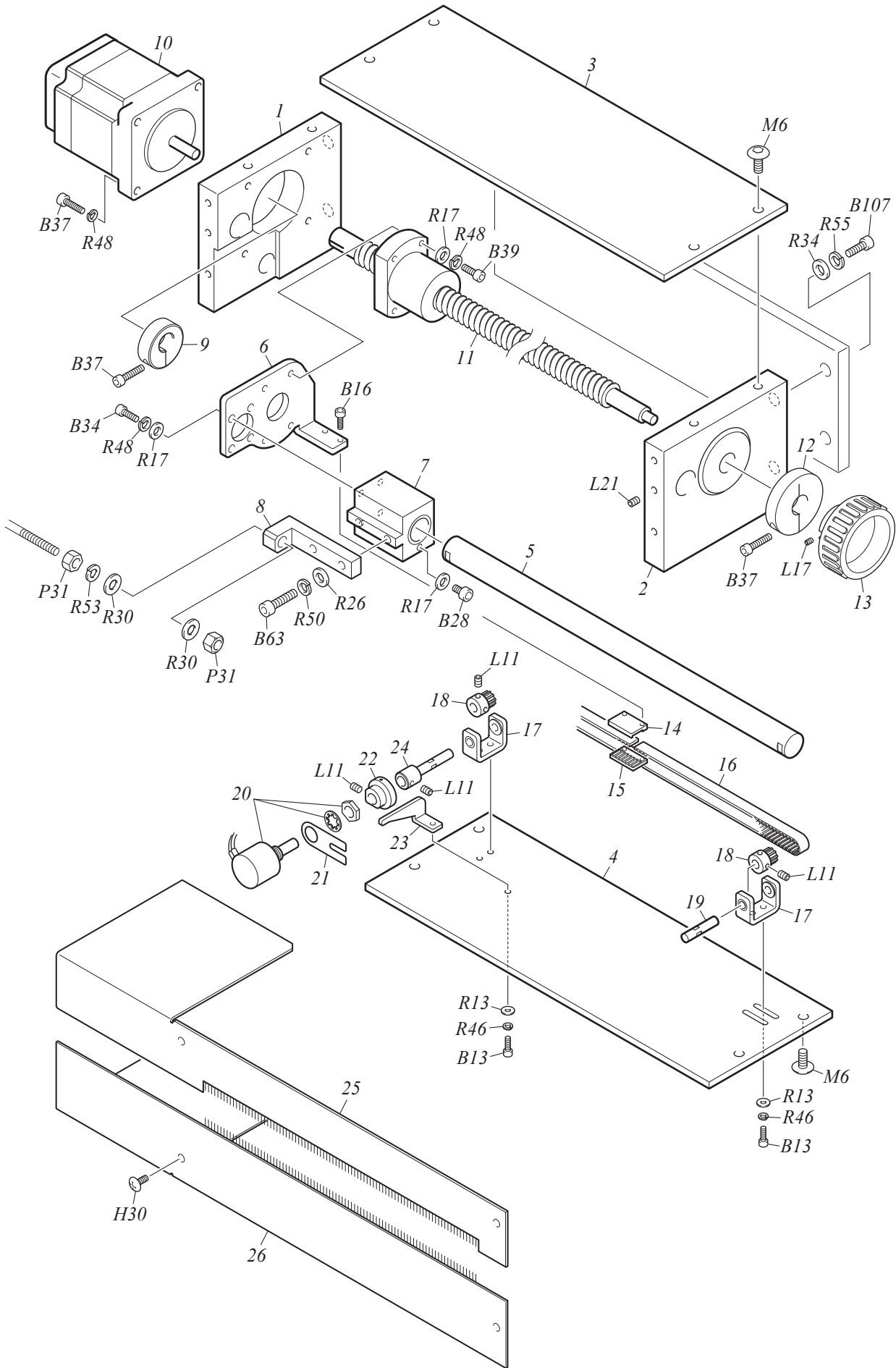


# COLOR CHANGE SYSTEM A

MJ-6a

No.	Part Name	Part No.	Remark
1	COVER :CHANGE	070120430010	
2	BASE :CHANGE MOTOR[S]	070120440S20	
3	BEARING CASE :CHANGE[S]	070120450S30	
4	SENSOR ARM	0C0230210000	
5	REINFORCING PLATE :CHANGE MOTOR BASE	070120480010	
6	BASE :CHANGE	070120420010	
7	PULSE MOTOR :56MM SQUARE :DOUBLE-END	0J6110600000	
8	SHAFT :CHANGE CAM	070120130000	
9	KNOB :B	08052001B010	
10	ROLLER PIN[S]	080290040S10	
11	POTENTIOMETER	640900010001	
12	BRACKET :POTENTIOMETER	0C0420020010	
13	SPUR GEAR :20T	506120040020	
14	SPUR GEAR :40T	506140060020	
15	CAM :CHANGE	070110090000	
16	STUD :NO.4 :M4-27.5	505404030020	
17	STOPPER COLLAR :12MM DIA.	502112050000	
18	RULON WASHER :TW-0613	638400070000	
19	RULON WASHER :TW-1225	638400080000	
20			
21			
22			
23			
24			
25			
26			
27			
28			
29			
30			
31			
32			
33			
34			
35			
36			
37			
38			
39			
40			
41			
42			
43			
44			
45			
46			
47			
48			
49			
50			

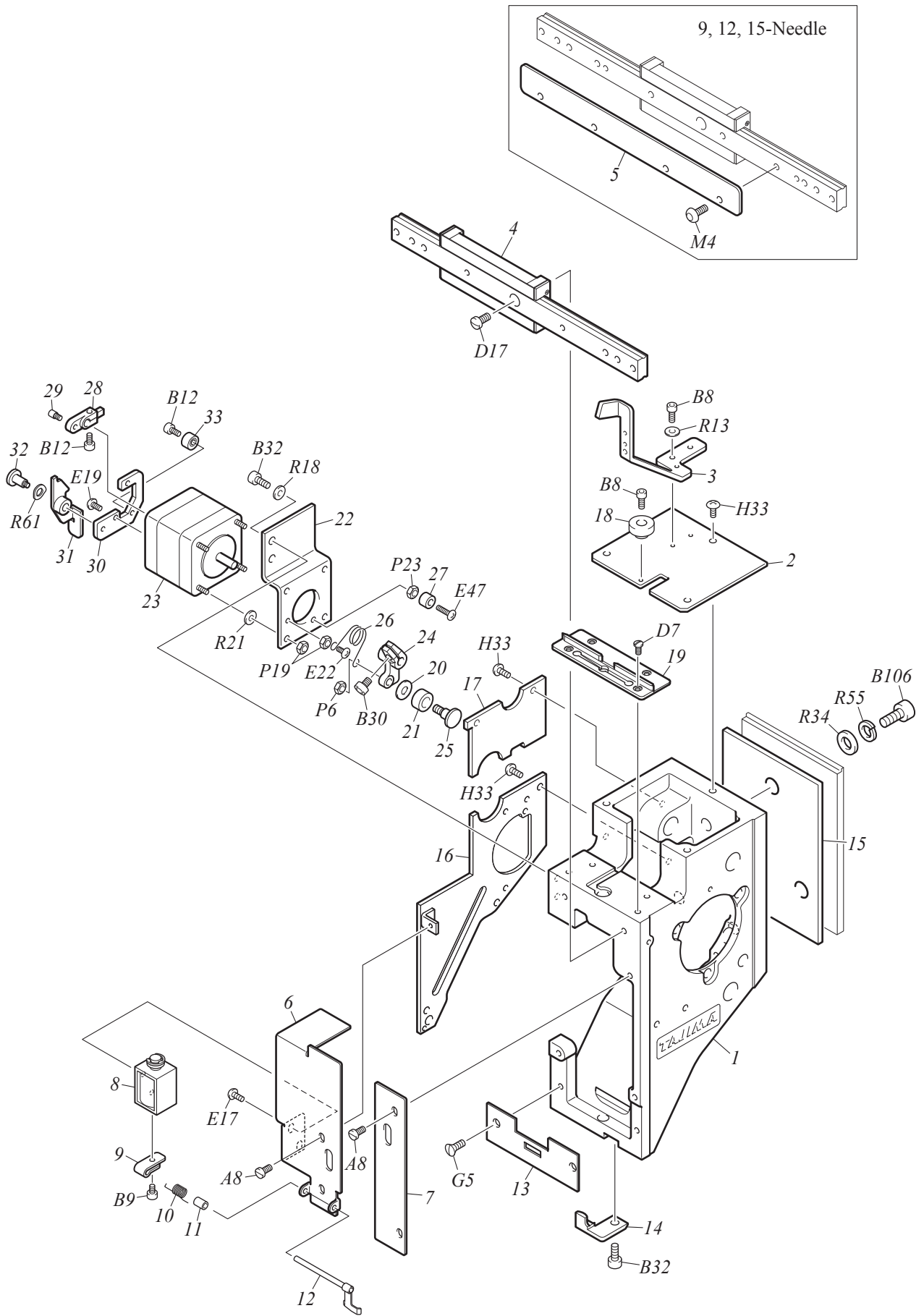
COLOR CHANGE SYSTEM B



# COLOR CHANGE SYSTEM B

MJ-6b

No.	Part Name	Part No.	Remark
1	SIDE BASE :CHANGE :L	07041001L000	
2	SIDE BASE :CHANGE :R[S]	07041002RS00	
3	JOINT PLATE :CHANGE :UPPER	07041003@000	
4	JOINT PLATE :CHANGE :LOWER	07041004@000	
5	GUIDE SHAFT :06/12/15-NEEDLE	07042001@000	
6	BASE :BALL SCREW	070420020000	
7	DRIVE BLOCK[S]	070420030S00	
8	JOINT BLOCK :CHANGE ROD	070420060000	
9	TIGHTENING COLLAR :12MM DIA.	502212020000	
10	PULSE MOTOR :56MM SQUARE :WITH SENSOR[A]	0J6108300A10	
11	BALL SCREW :CHANGE	07032012@000	
12	TIGHTENING COLLAR :10MM DIA.	502210040000	
13	KNOB :C	08052001C010	
14	BELT PRESSER PLATE :S3M-W6MM	070420040000	
15	BELT CATCHER :S3M	0L0350310000	
16	TIMING BELT :SPTG :W6	6211900@0000	
17	BEARING CASE :TIMING PULLEY :B[S]	070320020S00	
18	TIMING PULLEY :W6-10	501221010000	
19	STRAIGHT PIN :NO.2	503102190010	
20	POTENTIOMETER	640900010001	
21	BRACKET :POTENTIOMETER	0C0420020010	
22	KNOB :CLUTCH LEVER	080310170000	
23	GUIDE PLATE :POTENTIOMETER	070420050000	
24	STEPPED PIN :NO.2	503202050010	
25	COVER :CHANGE :UPPER[S]	07043001@S00	
26	COVER :CHANGE :LOWER[S]	07043002@S00	
27			
28			
29			
30			
31			
32			
33			
34			
35			
36			
37			
38			
39			
40			
41			
42			
43			
44			
45			
46			
47			
48			
49			
50			

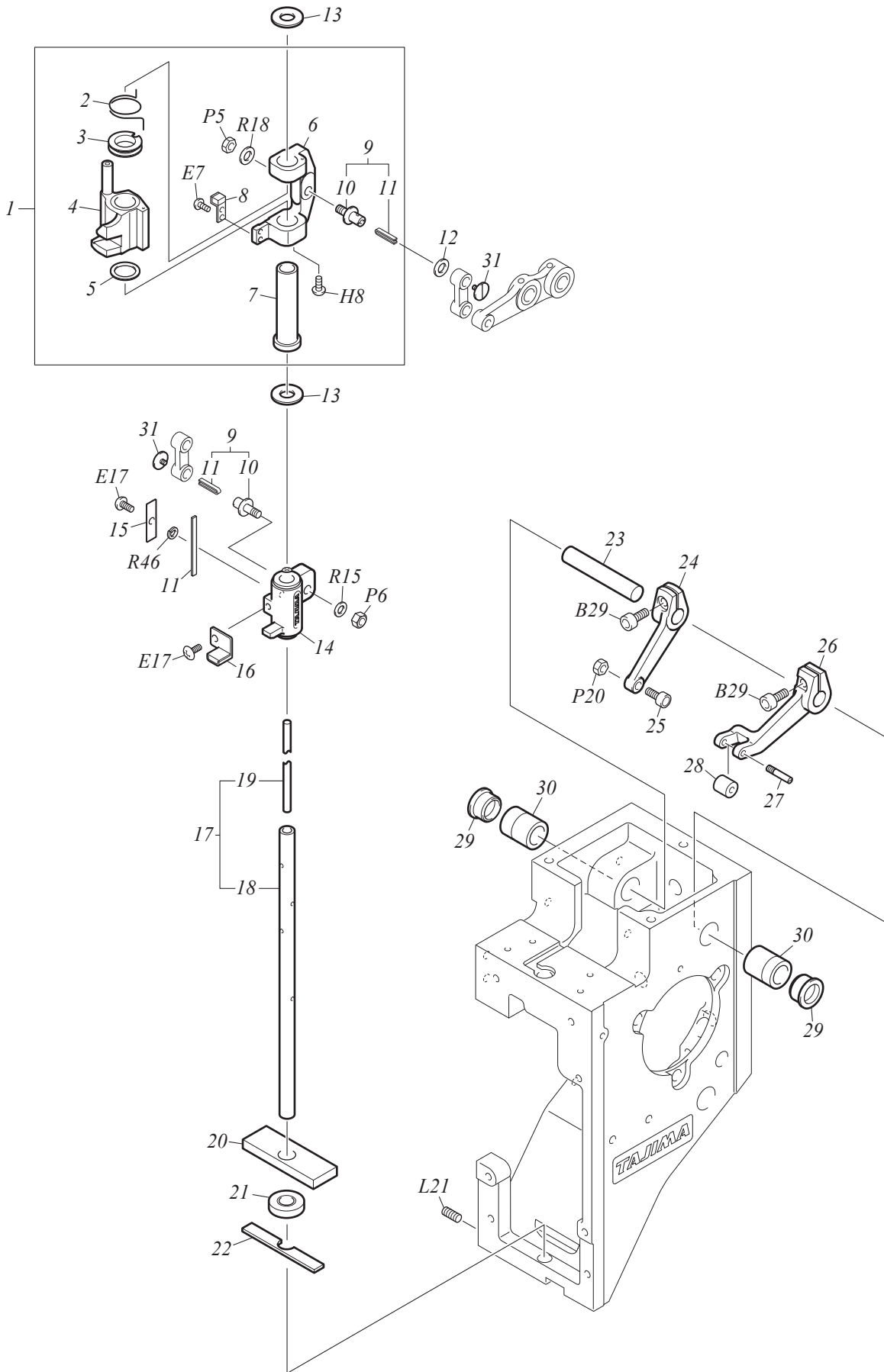


# ARM 1

MJ-7-1

No.	Part Name	Part No.	Remark
1	HEAD	080120010030	
2	BASE :BEARING	080290020010	
3	SENSOR ARM	0C0230090010	
4	LINEAR WAY :NEEDLE BAR CASE	08025004@000	
5	REINFORCING PLATE	08025005@000	9, 12, 15-Needle
6	HEAD FRONT COVER :L	08042002L000	
7	HEAD FRONT COVER :R	08042002R000	
8	SOLENOID :OPEN FRAME	640600121001	
9	LEVER :SOLENOID	080270010000	
10	TORSION SPRING :0.5MM DIA.	507305020000	
11	COLLAR :NO.1 :3.1MM DIA.	502505010000	
12	LEVER :DRIVE[S]	080270040S10	
13	GUIDE PLATE :NEEDLE BAR CASE	080250020000	
14	GUIDE BRACKET :NEEDLE BAR CASE	080250030010	
15	SPACER :HEAD	080290170000	2H, 4H360P
16	SIDE COVER :HEAD :LOWER	080430220000	
17	SIDE COVER :HEAD :UPPER	080430010000	
18	ROLLER PIN[S]	080290040S10	
19	TAKE-UP LEVER GUIDE RAIL	080280070000	
20	WASHER :4.8*8*T0.8	S301040801KC	
21	ROLLER :4.7MM DIA.	515110010010	
22	BRACKET :JUMP MOTOR	080320490000	
23	PULSE MOTOR :42MM SQUARE :DOUBLE-END :WITH SCREW BASE	0J6107902000	
24	LEVER :JUMP	080320420010	
25	STEPPED SCREW :NO.1 :11/64*8.2	512154010010	
26	TORSION SPRING :0.9MM DIA.	507309040020	
27	DAMPER RING :4MM DIA.	080320410000	
28	LEVER :SEQUIN	0L0431030010	
29	SCREW WITH PIN :NO.1 :9/64-4	513153060010	
30	BASE :CLUTCH LEVER	080320380000	
31	CLUTCH LEVER[S]	080320370S30	
32	STEPPED SCREW :NO.1 :M3*2.8	512203010010	
33	DAMPER RING :3MM DIA. E	050320470010	
34			
35			
36			
37			
38			
39			
40			
41			
42			
43			
44			
45			
46			
47			
48			
49			
50			

ARM 2

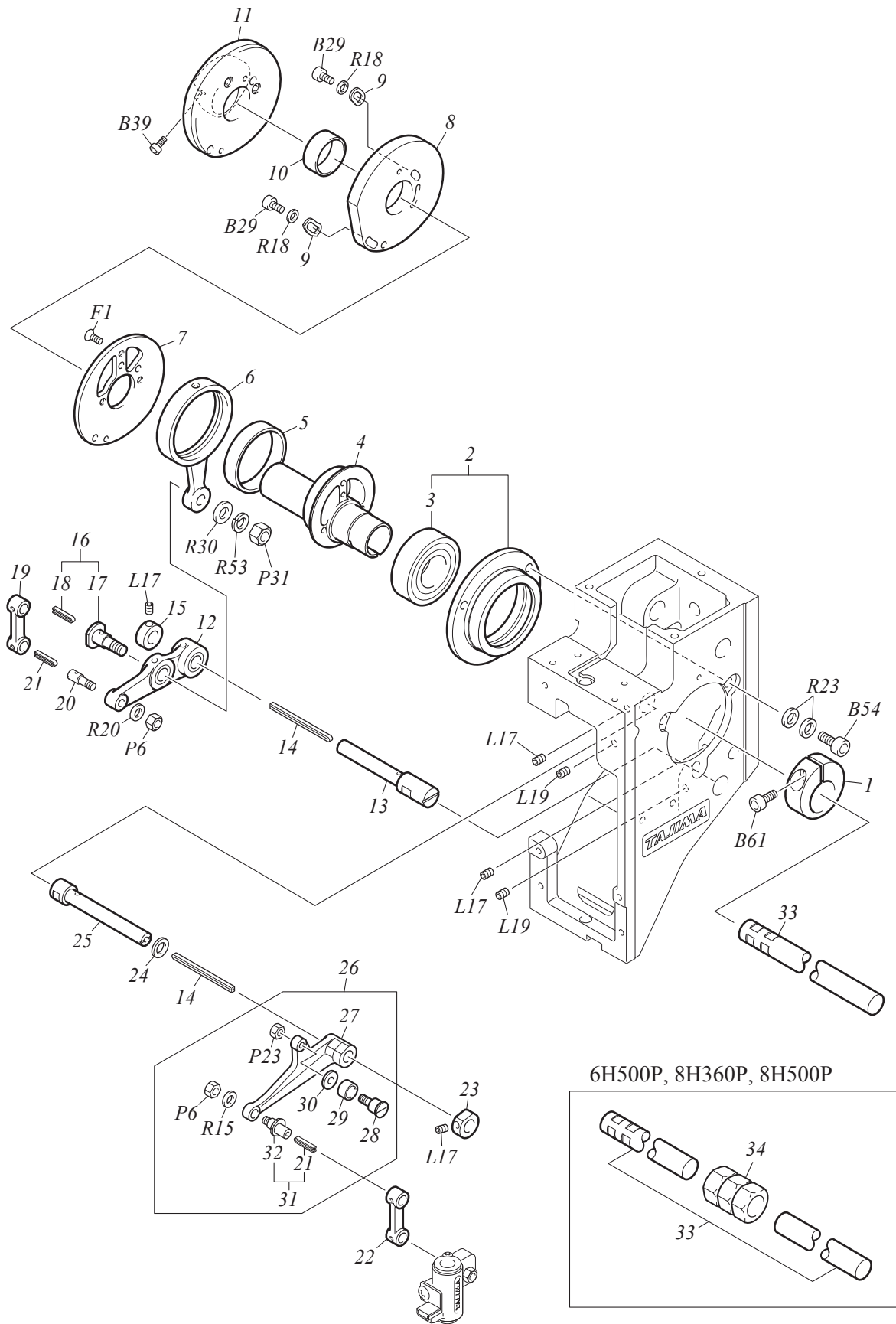


# ARM 2

MJ-7-2

No.	Part Name	Part No.	Remark
1	NEEDLE BAR RECIPROCATOR :GN[A]	080210360A50	
2	TORSION SPRING :0.7MM DIA.	507307010010	
3	HOLDER :JUMP SPRING	080210110010	
4	NEEDLE BAR RECIPROCATOR[S]	080210270S40	
5	PLAIN WASHER :10.3*14*T0.5	519112010000	
6	RECIPROCATING SLIDE BLOCK	080210410030	
7	PLASTIC BUSHING :NO.2 :7.24MM DIA.	509472050010	
8	DAMPER BRACKET :NEEDLE BAR RECIPROCATOR	080210090000	
9	SCREW WITH PIN :NO.3 :11/64-7.9[A]	513354060A10	
10	SCREW WITH PIN :NO.3 :11/64-7.9	513354060010	
11	WICK :2.5*1*22	080240120010	
12	PLAIN WASHER :6*9.5*T0.05-0.5	51910604@020	
13	FELT :14MM DIA.	080240060000	
14	PRESSER FOOT RECIPROCATOR :47MM ST[S]	080210420S10	
15	PLATE :PRESSER FOOT RECIPROCATOR	080250060000	
16	DAMPER BRACKET :PRESSER FOOT RECIPROCATOR[S]	080210180S20	
17	NEEDLE BAR DRIVE SHAFT :AUTOMATIC LUBRICATION[S]	0L0210030S00	
18	NEEDLE BAR DRIVE SHAFT :AUTOMATIC LUBRICATION	0L0210030000	
19	WICK :3.5P*183	080240020010	
20	FELT :NEEDLE BAR DRIVE SHAFT :B	080240070000	
21	GUIDE :NEEDLE BAR CASE[S]	080250170S10	
22	FELT :NEEDLE BAR DRIVE SHAFT :D	080240170000	
23	STRAIGHT PIN :NO.1 :8MM DIA.	503101130000	
24	LEVER :TAKE-UP LEVER	080230020000	
25	SCREW WITH ROLLER PIN :NO.7 :M4[S]	514704010S10	
26	ARM :TAKE-UP LEVER	080230060000	
27	SCREW WITH PIN :NO.4 :M3-12.5	513403020000	
28	ROLLER :3MM DIA.	515103010020	
29	LID :TAKE-UP LEVER BEARING CASE :13MM DIA.	080290010000	
30	BEARING CASE BUSHING :NO.1 :8MM DIA.	509508080000	
31	FLAT FILLISTER HEAD SCREW :9/64*4	511153010010	
32			
33			
34			
35			
36			
37			
38			
39			
40			
41			
42			
43			
44			
45			
46			
47			
48			
49			
50			

ARM 3



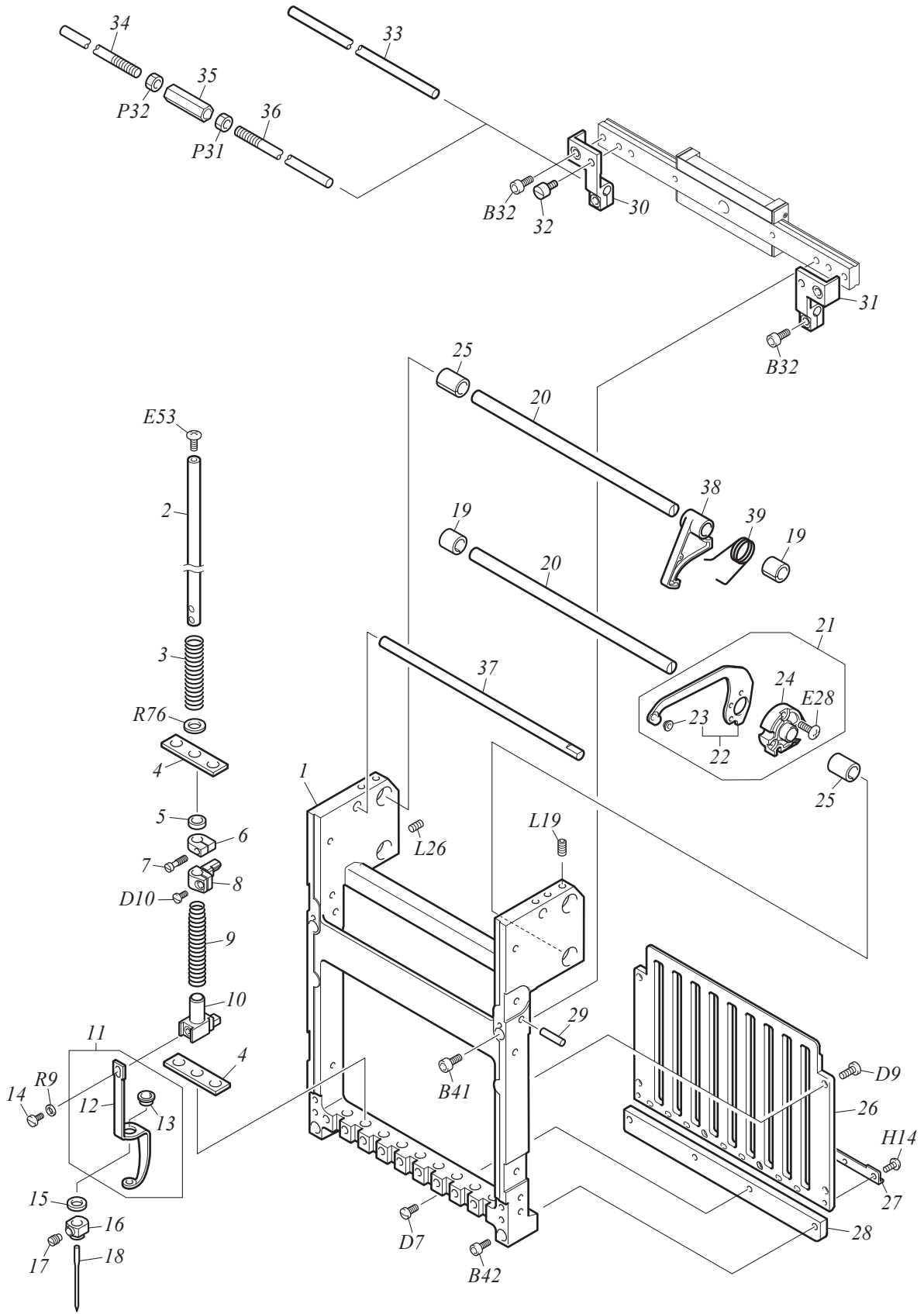


# ARM 3

MJ-7-3

No.	Part Name	Part No.	Remark
1	TIGHTENING COLLAR :21MM DIA.	502221010010	
2	BEARING CASE :NO.2 :22MM DIA.[S]	508222010S00	
3	BEARING :60/22ZZ	630200040000	
4	CAM :NEEDLE BAR	080220010000	
5	NEEDLE CAGE :KT404310NE01B2	634400070001	
6	CONNECTING ROD :51.7	080220040000	
7	BASE :TAKE-UP LEVER CAM	080220050000	
8	CAM :TAKE-UP LEVER :REGULAR ROTARY HOOK	080220060010	
8	CAM :TAKE-UP LEVER :JUMBO ROTARY HOOK	080220070010	
9	WASHER :CAM	080220180000	
10	COLLAR :NO.1 :21MM DIA.	502521010000	
11	CAM :PRESSER FOOT[A]	080220021A10	
12	LEVER :NEEDLE BAR[S]	080230050S10	
13	STEPPED PIN :NO.4	503204040020	
14	WICK :3.5P*61	080240040010	
15	STOPPER COLLAR :8MM DIA.	502108020010	
16	STEPPED SCREW :NO.2 :M6*21[S]	512206030S10	
17	STEPPED SCREW :NO.2 :M6*21	512206030010	
18	WICK :3.5*1*34	080240140000	
19	CONNECTING ROD	080230210000	
20	SCREW WITH PIN :NO.3 :11/64-7.7	513354050010	
21	WICK :2.5*1*22	080240120010	
22	CONNECTING ROD :26	080230010000	
23	STOPPER COLLAR :8MM DIA.	502108050010	
24	PLAIN WASHER :8*15*T0.5	519108050000	
25	STEPPED PIN :NO.4	503204030020	
26	LEVER :DRIVE :PRESSER FOOT :47	U8K000000000	
27	LEVER :PRESSER FOOT[S]	080230140S50	
28	STEPPED SCREW :NO.1 :M4*3.8	512104160010	
29	ROLLER :5*8*5	515105020010	
30	PLAIN WASHER :4*7.5*T0.8	519104060000	
31	SCREW WITH ROLLER PIN :NO.4 :11/64E[S]	514454010S00	
32	SCREW WITH ROLLER PIN :NO.4 :11/64E	514454010000	
33	MAIN SHAFT :18MM DIA.	QQ4@010@0000	
34	N-COUPLING :N-18-18	504718010000	
35			
36			
37			
38			
39			
40			
41			
42			
43			
44			
45			
46			
47			
48			
49			

NEEDLE BAR CASE 1



# NEEDLE BAR CASE 1

MJ-8-1

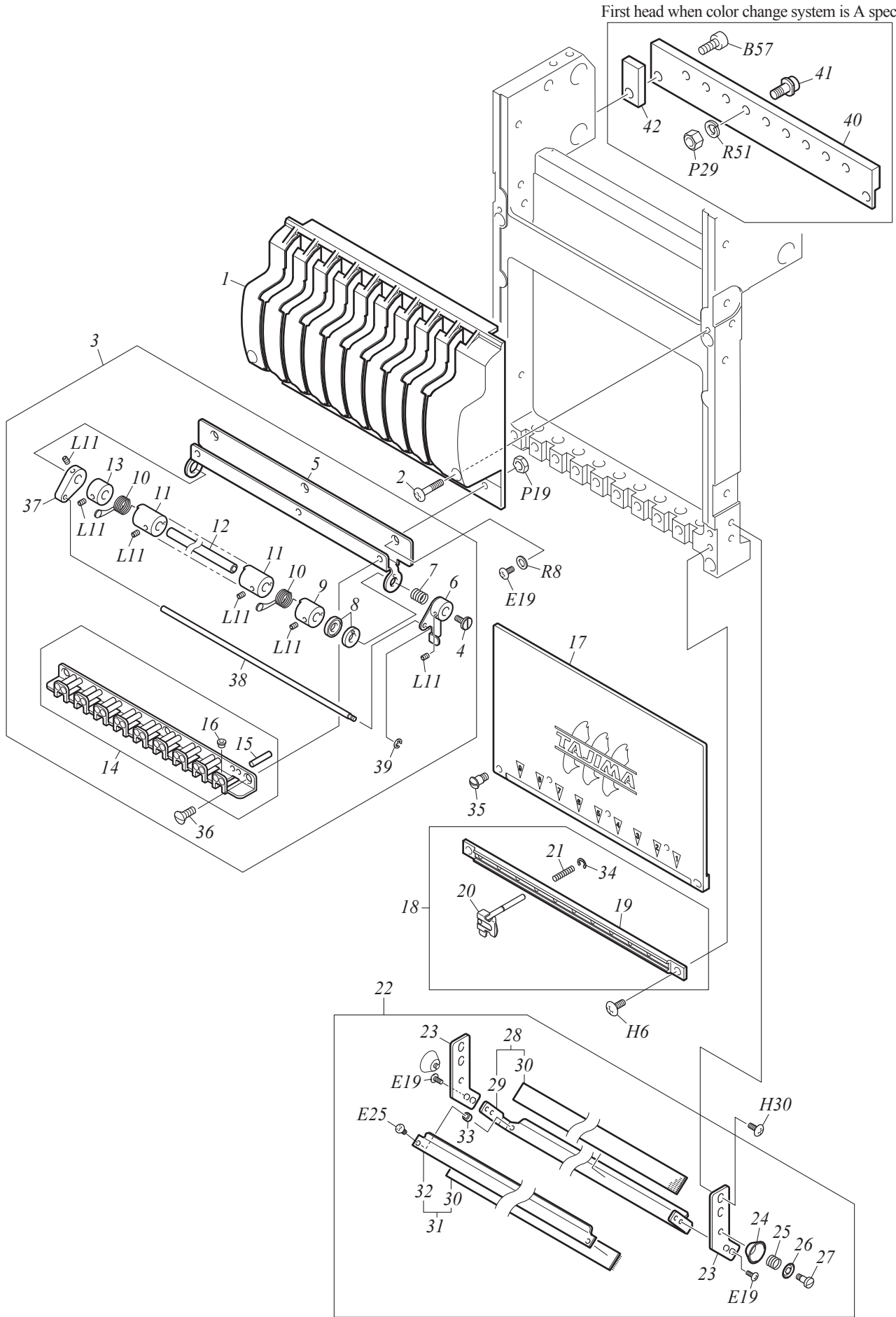
No.	Part Name	Part No.	Remark
1	NEEDLE BAR CASE	09012001@000	
2	NEEDLE BAR	090410020010	
3	COMPRESSION SPRING :0.5MM DIA.	507605030040	
4	FELT PACKING	090430040000	
5	DAMPER RING :F	090430020010	
6	STOPPER :UPPER DEAD POINT	090420040020	
7	FLAT FILLISTER HEAD SCREW :9/64*12	SA41741201UN	
8	NEEDLE BAR CONNECTING STUD	090420060010	
9	COMPRESSION SPRING :0.9MM DIA.	507609030010	
10	PRESSER FOOT CONNECTING STUD	090420020020	
11	PRESSER FOOT :A[A]	09046023AA00	2mm Dia.
11	PRESSER FOOT[A]	090460070A00	3mm Dia. (Thick Thread)
12	PRESSER FOOT	090460230000	2mm Dia.
12	PRESSER FOOT	090460070000	3mm Dia. (Thick Thread)
13	SPLIT COLLAR :PRESSER FOOT	090460040030	
14	FLAT FILLISTER HEAD SCREW :1/8*44	090470020010	
15	DAMPER RING :A	090430070030	
16	NEEDLE CLAMP[S]	090420010S60	
17	SLOTTED HEAD SET SCREW :11/64*6B	511754010010	
18	NEEDLE :DB-K5Z1 #11	616500080000	
19	SPLIT COLLAR :NO.2 :8MM DIA.	502408020010	
19	SPLIT COLLAR :NO.2 :8MM DIA.	502408010020	15-Needle
20	GUIDE SHAFT :TAKE UP LEVER	09033001@000	
21	TAKE-UP LEVER[A]	090310050A30	
22	TAKE-UP LEVER[S]	090310050S30	
23	THREAD GUIDE COLLAR :2MM DIA.	516503020000	
24	BOSS :TAKE-UP LEVER	090310040010	
25	SPLIT COLLAR :NO.1 :8MM DIA.	502308010010	
25	SPLIT COLLAR :NO.1 :8MM DIA.	502308020010	15-Needle
26	NEEDLE BAR GUIDE	0904500@010	
27	RAIL GUIDE	08027006@000	
28	RAIL :CASE :LOWER	09044001@010	
28	RAIL :CASE :LOWER :15-NEEDLE	09044002X010	15-Needle
29	PARALLEL PIN :4*16-H7	611200050000	
30	BRACKET :CHANGE ROD :L	08026001L000	
31	BRACKET :CHANGE ROD :R	08026001R000	
32	FLAT FILLISTER HEAD SCREW :M4*10	511104010010	
33	CHANGE ROD :6P*782	1C5250010000	2H, 4H, 6H360P
34	CHANGE ROD :B :6P*1386	1C565002X000	6H500P, 8H360P
34	CHANGE ROD :B :6MM DIA. :0608-1508/500S	QQ480401@200	8H500P
35	SCREW JOINT :M6	504506010010	
36	CHANGE ROD :A :6P*1386	1C565001X000	6H500P, 8H360P
36	CHANGE ROD :A :6MM DIA. :0608-1508/500S	QQ480401@100	8H500P
37	SPRING HOOK BAR	09033002@000	
38	LEVER :STOPPER	090320010000	
39	TORSION SPRING :1MM DIA.	507310040010	
40			
41			
42			
43			

Note: As for parts with mark @, please follow our instructions on Table of Contents in your parts order.

(QS06)

NEEDLE BAR CASE 2

First head when color change system is A spec.

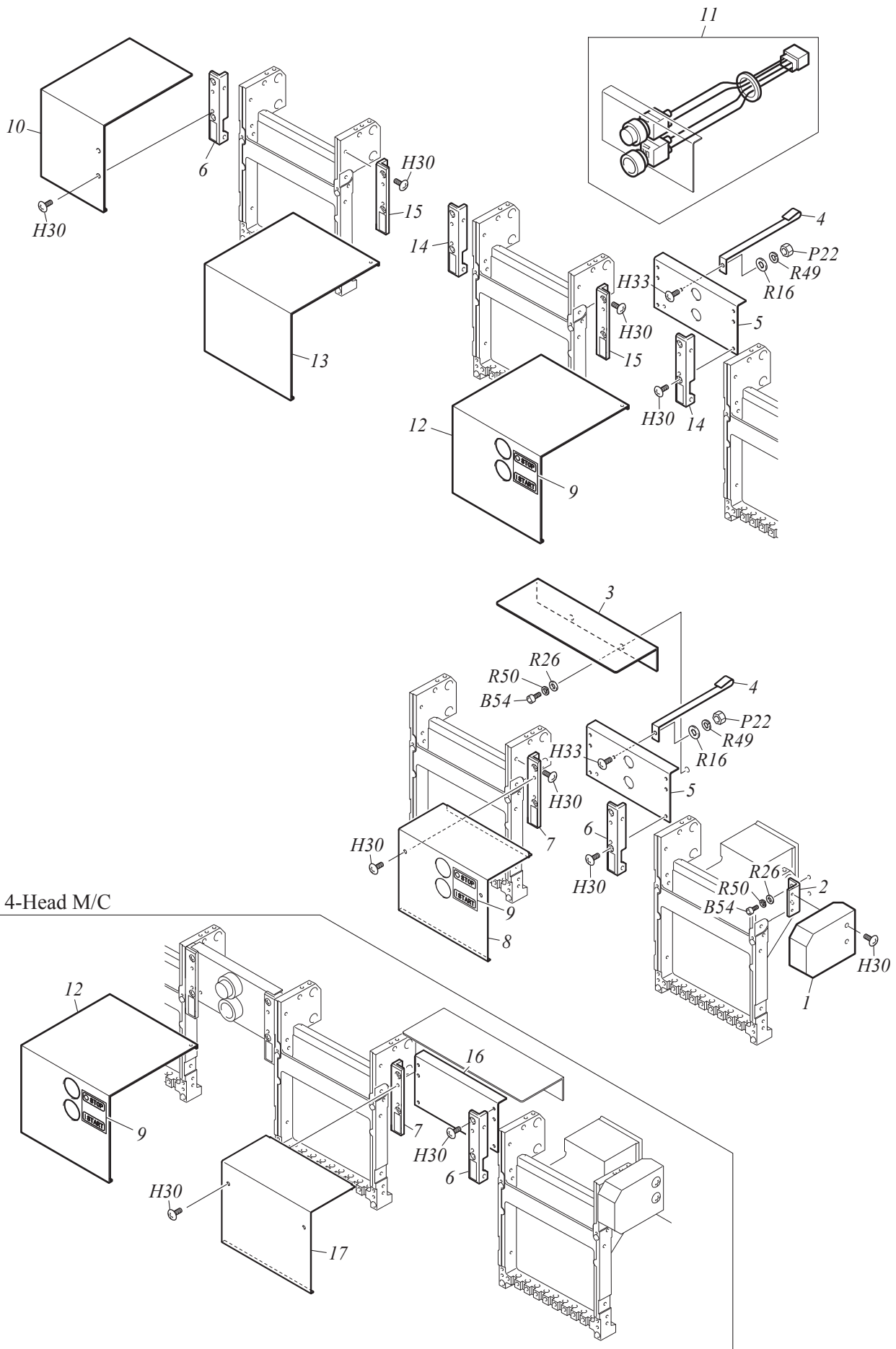


# NEEDLE BAR CASE 2

MJ-8-2

No.	Part Name	Part No.	Remark
1	TAKE-UP LEVER COVER	09053002@000	
2	PAN HEAD SCREW :9/64*25	511353010000	
3	ROLLER-TYPE MIDDLE THREAD GUIDE[A]	09021025@A00	
4	FLAT FILLISTER HEAD SCREW :M3*4.3	511103010000	
5	BASE :ROLLER-TYPE MIDDLE THREAD GUIDE	09021025@000	
6	ADJUSTING LEVER[S]	090210140S10	
7	COMPRESSION SPRING :0.7MM DIA.	507607160000	
8	RATCHET	090210050020	
9	TENSION COLLAR :NO.1	090210160010	
10	THREAD TAKE-UP SPRING :NO.2 :0.4MM DIA.	507204010010	
11	TENSION COLLAR :NO.2	090210170010	
12	STRAIGHT PIN :5MM DIA.	09021023@000	
13	STOPPER COLLAR :5MM DIA.	090210180010	
14	ROLLER-TYPE MIDDLE THREAD GUIDE[S]	09021009@S30	
15	STRAIGHT PIN :NO.1 :3MM DIA.	503101150020	
16	THREAD GUIDE COLLAR :1.8MM DIA.	516503010010	
17	FACE PLATE :NEEDLE BAR CASE	09051001@060	
17	FACE PLATE :NEEDLE BAR CASE :15-NEEDLE	09051001X090	
18	UPPER THREAD LOCK[A]	08027005@A00	
19	BASE :UPPER THREAD LOCK	08027005@000	
20	LOCK SHAFT[S]	080270030S00	
21	COMPRESSION SPRING :0.3MM DIA.	507603040030	
22	UPPER THREAD HOLDER[A]	0B020009@A00	
23	BRACKET :UPPER THREAD HOLDER	0B0200010000	
24	THREAD SUSPENDER DISK	0B0200050000	
25	COMPRESSION SPRING :0.3MM DIA.	507603020010	
26	PRESSER :THREAD SUSPENDER SPRING	0B0200060000	
27	STEPPED SCREW :NO.1 :9/64*7.5	512153040000	
28	BASE :UPPER THREAD HOLDER[S]	0B020009@S00	
29	BASE :UPPER THREAD HOLDER	0B020009@000	
30	VELCRO	0B020007@000	
31	UPPER THREAD HOLDER[S]	0B020018@S00	
32	UPPER THREAD HOLDER	0B020018@000	
33	COLLAR :NO.1 :3MM DIA.	502503070010	
34	E-RING :1.5MM DIA.	611100040000	
35	STEPPED SCREW :NO.1 :9/64*8.8	512153150000	
36	ROUND COUNTERSUNK HEAD SCREW :9/64*3.5	511553010010	
37	HOLDER :STRAIGHT PIN	090210190010	
38	STRAIGHT PIN :3MM DIA.	09021022@000	
39	E-RING :2MM DIA.	611100050000	
40	BASE :CHANGE ROLLER :06-NEEDLE	07011038@000	
40	BASE :CHANGE ROLLER :09-NEEDLE	07011039@000	
40	BASE :CHANGE ROLLER :12-NEEDLE	07011040@000	
40	BASE :CHANGE ROLLER :15-NEEDLE	07011041@000	
41	SCREW WITH ROLLER PIN :NO.1 :M5[S]	514105030S20	
42	SPACER BLOCK	070110330000	
43			
44			
45			
46			

FRONT COVER



# FRONT COVER

MJ-9

No.	Part Name	Part No.	Remark
1	COVER :TIGHTENING COLLAR	170110080000	
2	BRACKET :COVER	030460050010	
3	TOP COVER :330-750P	17016007@000	
4	CORD CLAMP	0J1501800000	
5	BASE :START/STOP SWITCH	17133@@@0020	
6	BRACKET :FRONT COVER :L[S]	17111015LS00	
7	BRACKET :FRONT COVER :R[S]	17111015RS00	
8	FRONT COVER :NO.2 :1ST	17102@@@0000	
9	LABEL :START/STOP SWITCH	644500160000	
10	FRONT COVER :NO.7 :L90	170120010000	
11	SWITCH :CYLINDER HEAD[A]	0J0603300A10	
12	FRONT COVER :NO.2	17046@@@0000	
13	FRONT COVER :NO.1	17045@@@0000	
14	BRACKET :FRONT COVER :L[S]	17111014LS00	
15	BRACKET :FRONT COVER :R[S]	17111014RS00	
16	JOINT PLATE	17121@@@0010	
17	FRONT COVER :NO.1 :1ST	17101@@@0000	
18			
19			
20			
21			
22			
23			
24			
25			
26			
27			
28			
29			
30			
31			
32			
33			
34			
35			
36			
37			
38			
39			
40			
41			
42			
43			
44			
45			
46			
47			
48			
49			
50			



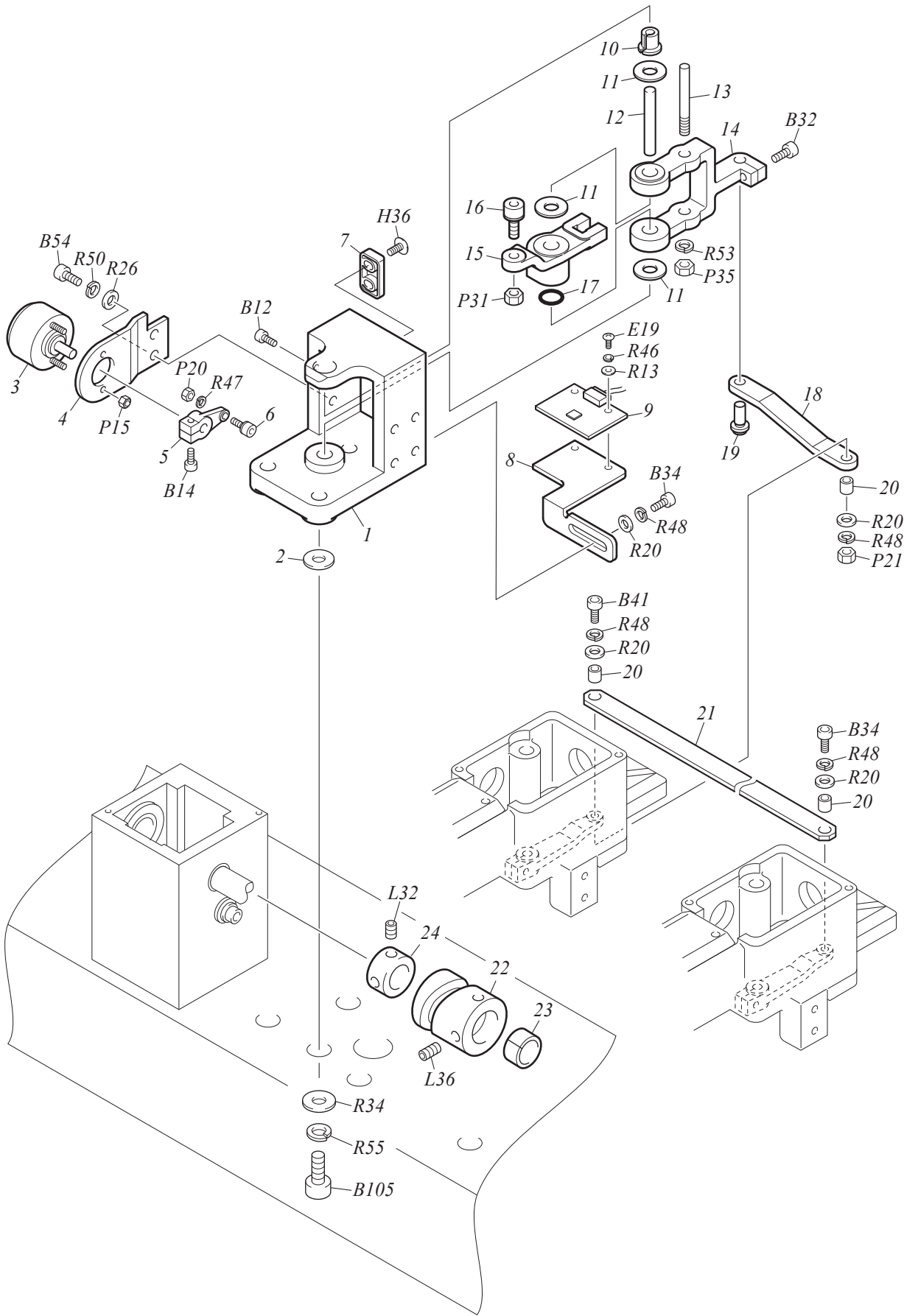


# UPPER THREAD HOLDER

MJ-10

No.	Part Name	Part No.	Remark
1	HOOK[S]	0B0110650S10	
2	PULSE MOTOR :42MM SQUARE :DOUBLE-END	0J6107802000	
3	BASE :HOOK MOTOR	0B0110420000	
4	COLLAR :SPRING GUIDE	502522010010	
5	DAMPER RING :4MM DIA.	080320410000	
6	TORSION SPRING :0.8MM DIA.	507308190010	
7	LEVER :HOOK	0B0110470000	
8	CONNECTING PLATE :HOOK	0B0110080010	
9	SLIDE :HOOK	0B0110510000	
10	WASHER :2.6*7*T0.5	519204010000	
11	GUIDE :HOOK	0B0110520020	
12	COVER :HOOK	0B0120010000	
13	STEPPED SCREW :NO.1 :9/64*10	512153020000	
14	STEPPED SCREW :NO.1 :9/64*7.5	512153040000	
15	SPACER :SLIDE HOOK	0B0110370010	
16	STEPPED SCREW :NO.1 :M4*6.7	512104100040	
17			
18			
19			
20			
21			
22			
23			
24			
25			
26			
27			
28			
29			
30			
31			
32			
33			
34			
35			
36			
37			
38			
39			
40			
41			
42			
43			
44			
45			
46			
47			
48			
49			
50			

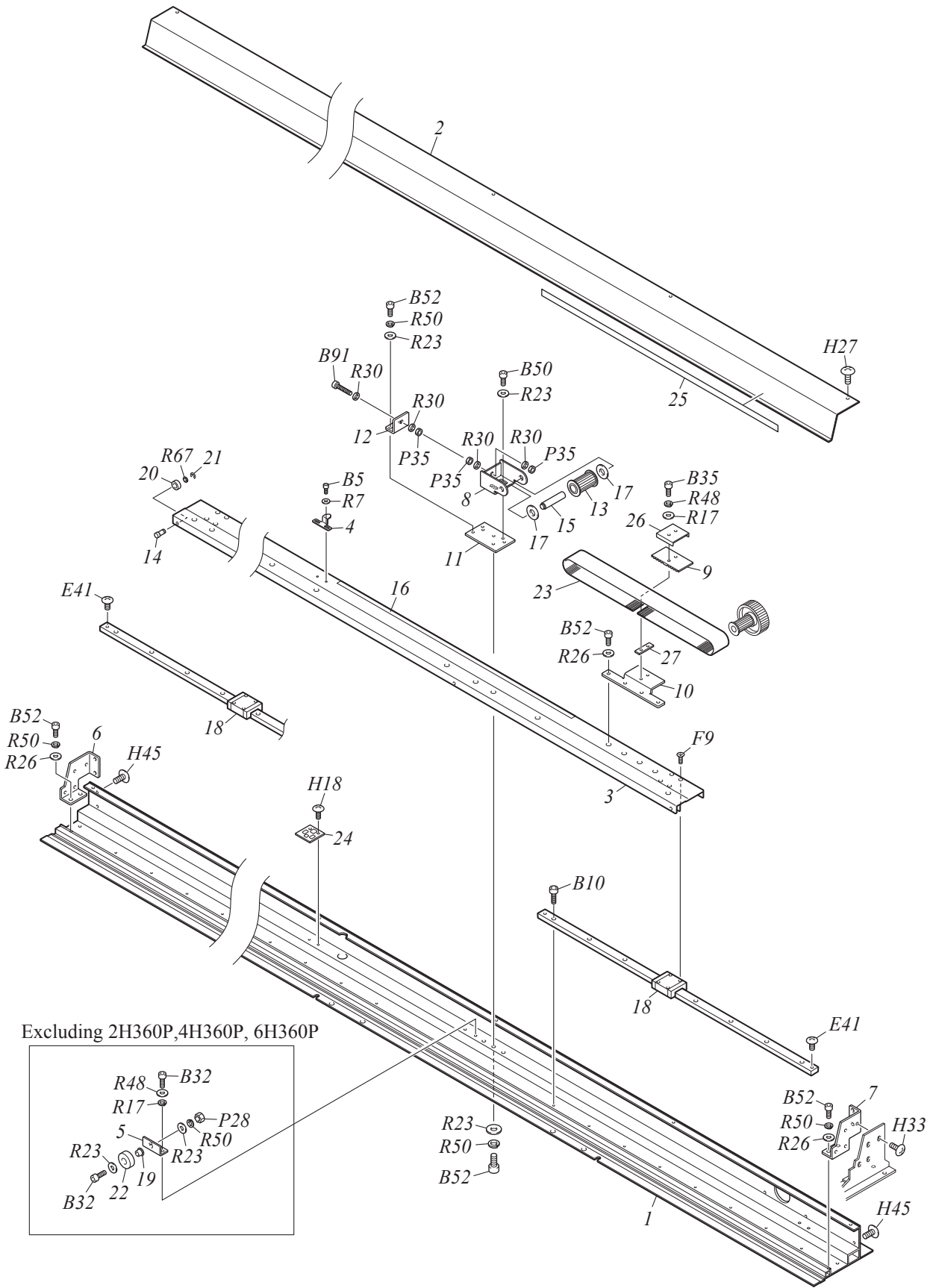
CAM DRIVE SYSTEM



# CAM DRIVE SYSTEM

MJ-11

No.	Part Name	Part No.	Remark
1	BASE :ATH	0E011008C000	
2	PLAIN WASHER :12.5*22*T0.1-1	51911401@000	
3	SOLENOID :ROTARY	640600090011	
4	BRACKET :ATH SOLENOID	0E0210450010	
5	LEVER :ATH SOLENOID	0E0210570000	
6	SCREW WITH ROLLER PIN :NO.1[S]	514131010S10	
7	STOPPER :ATH CONNECTING PLATE ARM	0E0210540000	
8	BRACKET :RETRACTABLE SENSOR	0E0210630000	
9	CARD :MAGNETIC SENSOR A	0J4204400000	
10	SPLIT COLLAR :NO.2 :8MM DIA.	502408020010	
11	RULON WASHER :TW-0815	638400050000	
12	STRAIGHT PIN :NO.1 :8MM DIA.	503101190010	
13	SCREW WITH PIN :NO.4 :M6-36	513106010010	
14	ARM :ATH CONNECTING PLATE	0E0210420000	
15	LEVER :ATH CAM	0E0210400000	
15	LEVER :ATH CAM/JUMBO ROTARY HOOK	0E0210500000	Jumbo Rotary Hook
16	ROLLER PIN[S]	514405020S00	
17	O-RING :P-8	612200060000	
18	CONNECTING PLATE :ATH ARM	0E0210170000	
19	MAGNET PIN[S]	0E0210680S10	
20	COLLAR :NO.1 :4.1MM DIA.	502541010000	
21	CONNECTING PLATE :ATH	0E02600@0000	
21	CONNECTING PLATE :ATH	05032052@000	6H500P, 8H360P
22	CAM :ATH	0E0210160010	
23	SPLIT COLLAR :NO.1 :15MM DIA.	502315020010	
24	STOPPER COLLAR :15MM DIA.	502115030000	
25			
26			
27			
28			
29			
30			
31			
32			
33			
34			
35			
36			
37			
38			
39			
40			
41			
42			
43			
44			
45			
46			
47			
48			



# X-AXIS DRIVE SYSTEM 1

MJ-12-1

No.	Part Name	Part No.	Remark
1	Z-SPEC. FRAME :0002/360S[S]	0F4110330S10	
1	Z-SPEC. FRAME[S]	0F41101@0S20	
1	Z-SPEC. FRAME :0008/500S[S]	0F4110260S10	
2	COVER :Z-SPEC. FRAME :0002/360S	0F4110340000	
2	COVER :Z-SPEC. FRAME	0F41102@0000	
3	SLIDE BASE[S]	0F4120@@0S00	
4	SENSOR PLATE :NO.1[S]	0F4140060S00	
5	BASE :ROLLER PIN	0F4160450000	
6	BRACKET :Z-SPEC. FRAME DRIVE BASE :L	0F416034L000	
7	BRACKET :Z-SPEC. FRAME DRIVE BASE :R	0F416034R000	
8	HOLDER :TIMING PULLEY	0F4160350000	
9	BELT CATCHER :X	0F4160370000	
10	BASE :BELT CATCHER	0F4160380000	
11	PLATE :TENSION BASE	0F4160410000	
12	BASE :TENSION	0F4160420000	
13	TIMING PULLEY :W30-16[S]	501463010S00	
14	STEPPED PIN :NO.1	503201010010	
15	STEPPED PIN :NO.1	503201020000	
16	RAIL PLATE :0.5*10	518102@@0000	
17	RULON WASHER :TW-1020	638400090000	
18	LINEAR WAY	660300@@0000	
19	BEARING COLLAR :5MM DIA.	502705010000	
20	BEARING :R1340ZZ	630200330000	
21	E-RING :3MM DIA.	611100060000	
22	BEARING :628ZZ	631200210000	
23	TIMING BELT :MA5 :W30-207E/LY	623C00010000	360P
23	TIMING BELT :MA5 :W30-263E/LY	623C00020000	500P
24	CARD :MAGNETIC SENSOR A	0J4204400000	
25	TRAVERSE SCALE	0P1200020000	
26	REINFORCING PLATE :BELT CATCHER PLATE	0F4160470010	
27	SPACER :NO.2 :T1.6	510200400010	
28			
29			
30			
31			
32			
33			
34			
35			
36			
37			
38			
39			
40			
41			
42			
43			
44			
45			
46			

Note: As for parts with mark @, please follow our instructions on Table of Contents in your parts order.

(QS06)

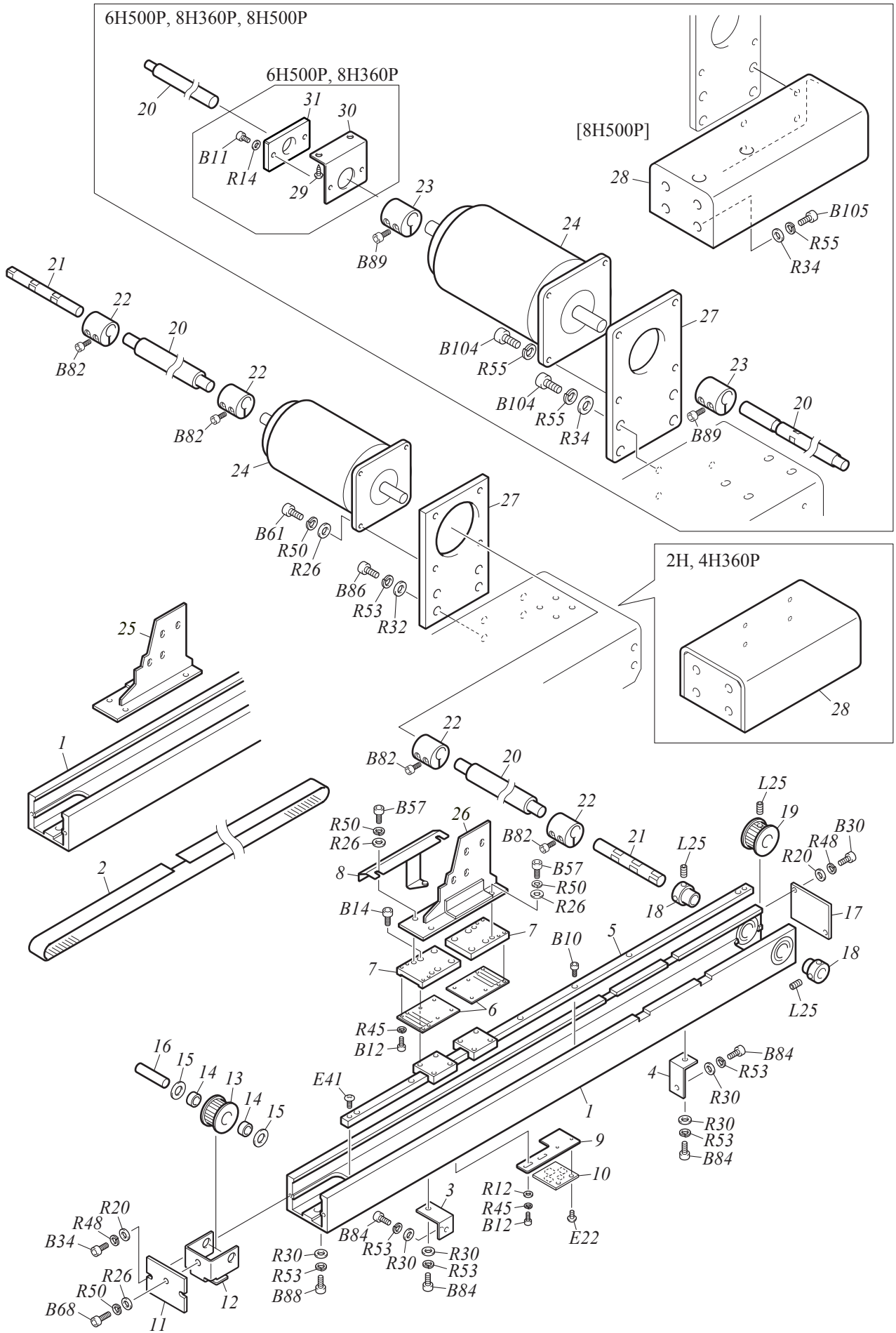


# X-AXIS DRIVE SYSTEM 2

MJ-12-2

No.	Part Name	Part No.	Remark
1	PLATE :60MM SQUARE MOTOR	0F4150090000	
2	PLATE :X MOTOR	0F4150110000	
3	COVER :SPEED REDUCTION BOX	0F4150120000	
4	JOINT BLOCK :PLATE	0F4150130000	
5	COVER :60MM SQUARE MOTOR	0F4150140000	
6	STAY :WIRING	0F4160360010	
7	BEARING CASE PLATE	0F4160390000	
8	BASE :BEARING CASE PLATE	0F4160400000	
9	TIMING PULLEY :W20-16[S]	501440040S00	
9	TIMING PULLEY :W20-16[S]	501440050S00	
10	TIMING PULLEY :W20-48[S]	501445080S10	
11	STEPPED PIN :NO.1	503201030000	
12	BASE :TENSION SHAFT HOLDER	0F4150150000	
13	WIRING GUARD :60MM SQUARE MOTOR	0F4160430000	
14	PULSE MOTOR :60MM SQUARE :WITH SENSOR[A]	0J6105400A10	2H
15	PULSE MOTOR :86MM DIA. :WITH SENSOR[A]	0J6107200A10	4, 6, 8H
16	PLATE :86MM DIA. MOTOR	0F4150100000	
17	WIRING GUARD :86MM DIA. MOTOR	0F4160440000	
18	TIMING BELT :SPTG :W20-S5M0325/G	623300020000	
19	RULON WASHER :TW-1020	638400090000	
20			
21			
22			
23			
24			
25			
26			
27			
28			
29			
30			
31			
32			
33			
34			
35			
36			
37			
38			
39			
40			
41			
42			
43			
44			
45			
46			
47			
48			
49			

Y-AXIS DRIVE SYSTEM



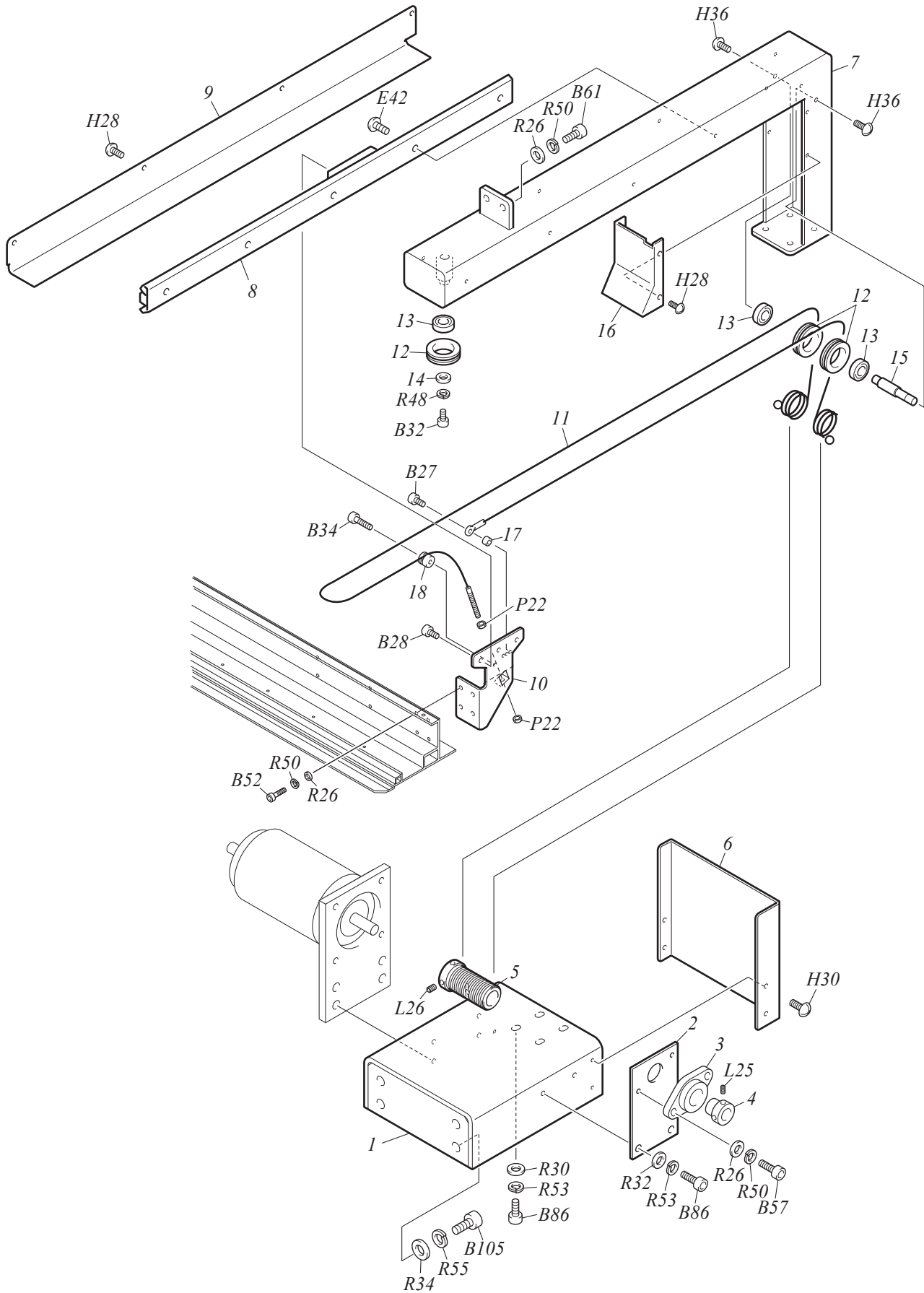


# Y-AXIS DRIVE SYSTEM

MJ-13

No.	Part Name	Part No.	Remark
1	Y-DRIVE BASE :NO.9 :A :R[S]	16091005AS00	2H, 4H, 6H360P
1	Y-DRIVE BASE :NO.9 :B :R[S]	16091005BS00	6H500P, 8H
2	TIMING BELT :MA5 :W25-249E/LY	623B00010000	2H, 4H, 6H360P
2	TIMING BELT :MA5 :W25-272E/LY	623B00020000	6H500P, 8H
3	BRACKET :Y-DRIVE BASE	0F4220020020	
4	BRACKET :Y-DRIVE BASE	0F4220030020	
5	LINEAR WAY :LWL-15C2R580	660300050000	
6	BELT CATCHER :NO.2 :Y	0F4230230010	
7	BELT CATCHER :NO.1 :Y	0F4230240000	
8	BRACKET :Y-AXIS SENSOR[S]	0F0110170S00	
9	BRACKET :ORIGIN SENSOR	0F4230250010	
10	CARD :MAGNETIC SENSOR A	0J4204400000	
11	SIDE COVER :Y-DRIVE BASE	0F4230220000	
12	HOLDER :TIMING PULLEY	0F4210010010	
13	TIMING PULLEY :W25-16	501452040010	
14	NEEDLE BEARING :HK-1010	634100060000	
15	RULON WASHER :TW-1020	638400090000	
16	STRAIGHT PIN :NO.1 :10MM DIA.	503101200010	
17	SIDE COVER :Y-DRIVE BASE	0F4230170000	
18	BEARING COLLAR :12MM DIA.	502712020000	
19	TIMING PULLEY :W25-16	501452020010	
20	Y SHAFT	QQ4@030@@010	
21	SHAFT :Y-AXIS PULLEY	0F0170110010	
22	TIGHTENING JOINT :12MM DIA.	504312010010	86mm Dia. Motor
23	TIGHTENING COUPLING :15MM DIA.	504315010000	106mm Dia. Motor
24	PULSE MOTOR :86MM DIA. :WITH SENSOR[A]	0J6106700A20	2H, 4H, 6H360P
24	PULSE MOTOR :106MM DIA. :WITH SENSOR[A]	0J6105700A20	6H500P, 8H
25	Z-SPEC. FRAME ARM :L	0F423036L010	
26	Z-SPEC. FRAME ARM :R	0F423036R010	
27	BRACKET :Y MOTOR	0F4230200000	2H, 4H, 6H360P
27	BRACKET :Y MOTOR	0F4320120010	6H500P, 8H
28	BASE :Y MOTOR	0F4230350000	2H, 4H360P
28	BASE :Y MOTOR	0F4230410000	8H500P
29	TRUSS HEAD TAPPING SCREW :4P*16	S530041601SD	
30	BRACKET :15MM DIA. SHAFT GUIDE	0F4230120000	6H500P, 8H360P
31	GUIDE :15MM DIA. SHAFT	0F4230130000	6H500P, 8H360P
32			
33			
34			
35			
36			
37			
38			
39			
40			
41			
42			
43			
44			
45			

AUXILIARY DRIVE SYSTEM A (WIRE TYPE)

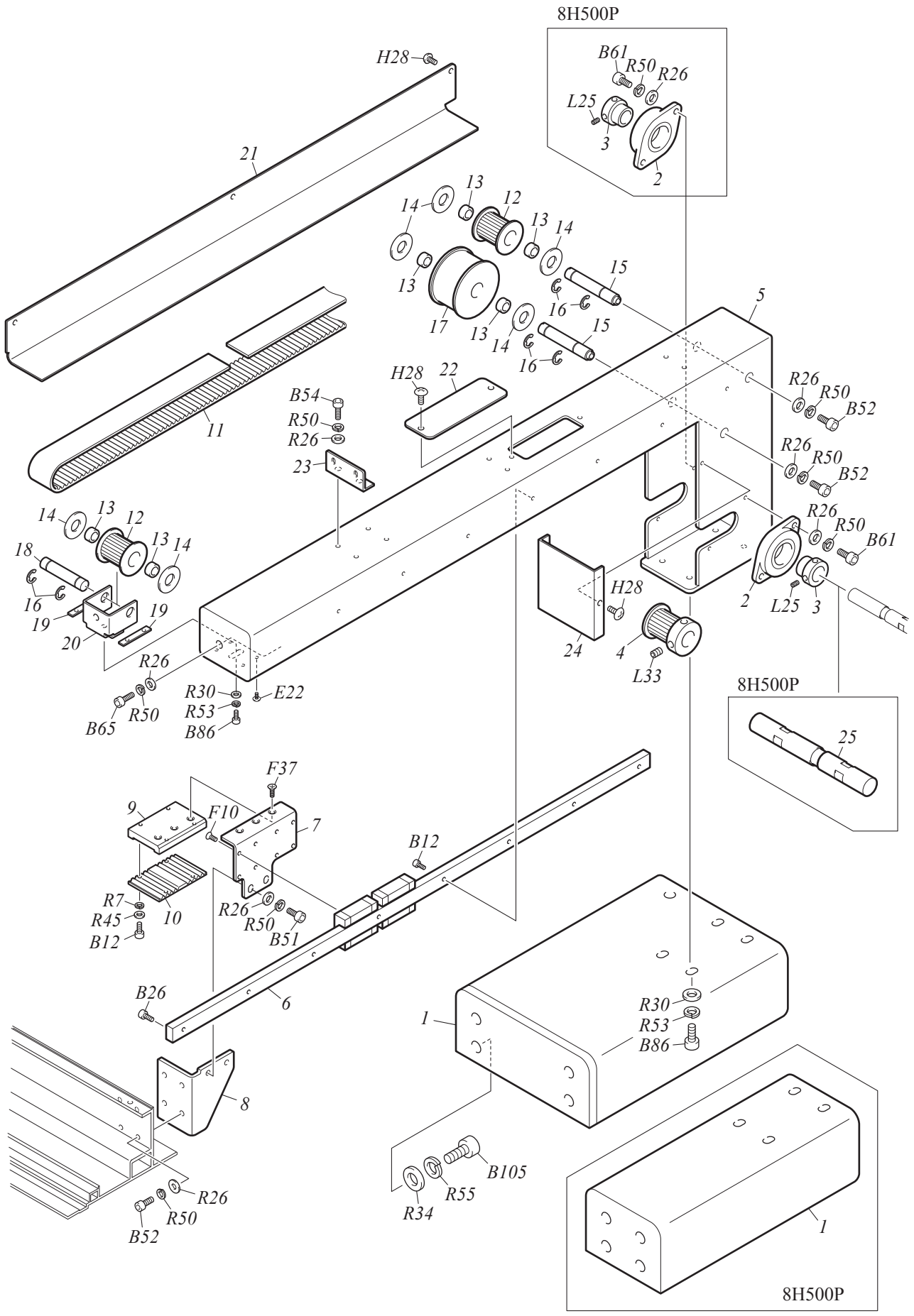


# AUXILIARY DRIVE SYSTEM A (WIRE TYPE)

MJ-14a

No.	Part Name	Part No.	Remark
1	BRACKET :AUXILIARY DRIVE BASE	0F4310140000	
2	BRACKET :BEARING CASE	0F4310050010	
3	BEARING CASE :NO.3 :15MM DIA.[S]	508315010S00	
4	NEEDLE COLLAR :15MM DIA.	502815010000	
5	SPIRAL PULLEY :25MM DIA.	0F4310120000	
6	COVER :AUXILIARY DRIVE BASE	0F4310150000	
7	AUXILIARY DRIVE BASE :A/GES[S]	0F4310161S10	
8	SLIDE RAIL :330LMM2205	661100090010	
9	COVER :SLIDE RAIL	0F4310090000	
10	AUXILIARY DRIVE ARM	0F4310170000	
11	WIRE :AUXILIARY DRIVE[S]	0F4310100S10	
12	R PULLEY :30.2MM DIA.	501DB3020000	
13	BEARING :608ZZ	631200090000	
14	PLAIN WASHER :4*12*T2	519104040000	
15	STEPPED PIN :PULLEY	0F4310030010	
16	COVER :R-PULLEY	0F4310020000	
17	COLLAR :NO.1 :4.1MM DIA.	502541030010	
18	BOSS	0F4310070010	
19			
20			
21			
22			
23			
24			
25			
26			
27			
28			
29			
30			
31			
32			
33			
34			
35			
36			
37			
38			
39			
40			
41			
42			
43			
44			
45			
46			
47			
48			
49			
50			

AUXILIARY DRIVE SYSTEM B (BELT TYPE)

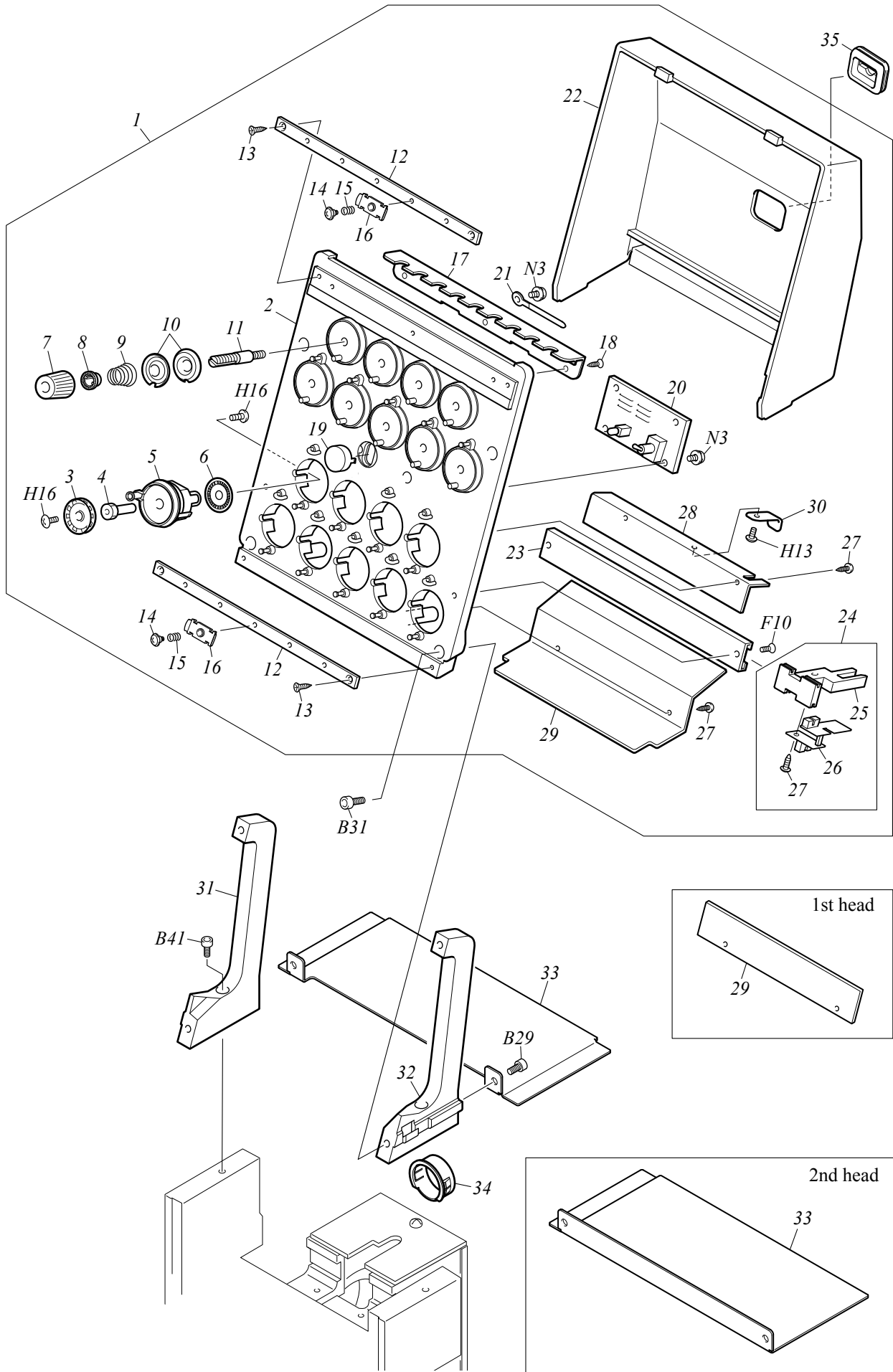


# AUXILIARY DRIVE SYSTEM B (BELT TYPE)

MJ-14b

No.	Part Name	Part No.	Remark
1	BRACKET :AUXILIARY DRIVE BASE	0F4320150000	6H500P, 8H360P
1	BASE :AUXILIARY DRIVE	0F4320190000	8H500P
2	BEARING CASE :NO.3 :15MM DIA.[S]	508315010S00	
3	NEEDLE COLLAR :15MM DIA.	502815010000	
4	TIMING PULLEY :W25-16[S]	501452070S10	
5	AUXILIARY DRIVE	0F4320200000	
6	LINEAR WAY :A :ZLWL-1518C2R580	66030005A000	
7	AUXILIARY DRIVE ARM	0F4320250000	
8	BRACKET :AUXILIARY DRIVE ARM	0F4320170000	
9	BELT CATCHER :NO.1	0F4320260000	
10	BELT CATCHER :NO.2	0F4320270000	
11	TIMING BELT :MA5 :W25-310E/LY	623B00030000	
12	TIMING PULLEY :W25-16[S]	501452040S10	
13	NEEDLE BEARING :HK-1010	634100060000	
14	PLASTIC WASHER :10.2*15*T0.5	519212030000	
15	STEPPED PIN :NO.1	503201040000	
16	E-RING :7MM DIA.	611100100000	
17	FLAT PULLEY :50MM DIA.	501903030000	
18	STRAIGHT PIN :NO.4 :10MM DIA.	503104020010	
19	GUIDE PLATE :HOLDER	0F4320240000	
20	HOLDER :TIMING PULLEY	0F4210010010	
21	COVER :SLIDE RAIL	0F4320210000	
22	COVER :AUXILIARY DRIVE	0F4320220000	
23	STAY :AUXILIARY DRIVE	0F4320230000	
24	COVER :TIMING BELT	0F4320030000	
25	SHAFT :AUXILIARY DRIVE SYSTEM PULLEY	0F4320280000	8H500P
26			
27			
28			
29			
30			
31			
32			
33			
34			
35			
36			
37			
38			
39			
40			
41			
42			
43			
44			
45			
46			
47			
48			
49			

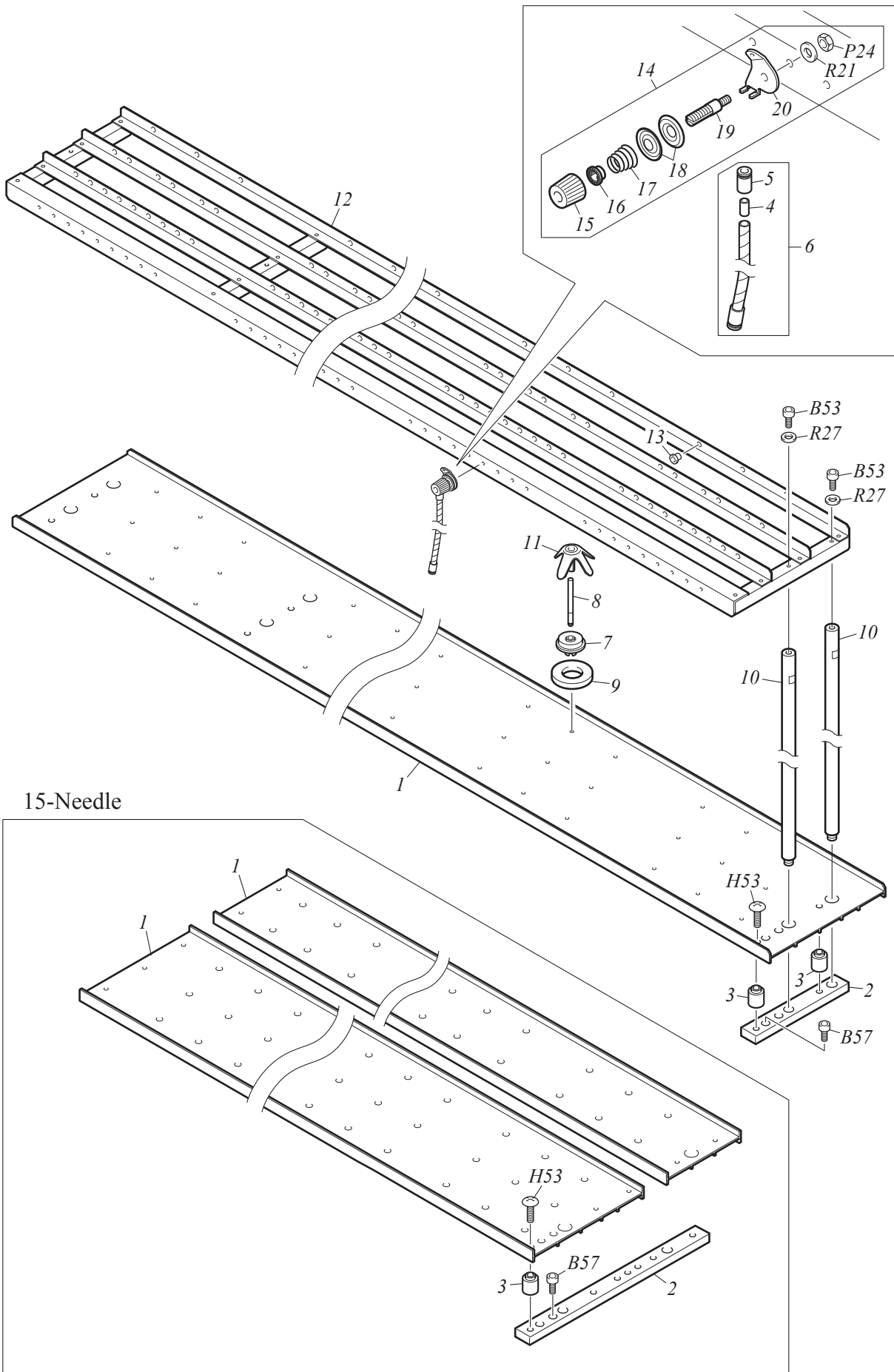
TENSION BASE



# TENSION BASE

MJ-15

No.	Part Name	Part No.	Remark
1	TENSION BASE :ROTARY :TFMX :GUARD B	UC29@0000140	1st Head
1	TENSION BASE :ROTARY :TFMX	UC29@0000030	
2	TENSION BASE :ROTARY[S]	0C012002@S50	
3	ROTARY TENSION DISK	0C0230120010	
4	SHAFT :ROTARY TENSION DISK	0C0230130030	
5	BASE :ROTARY TENSION DISK[S]	0C0230190S20	
6	SLIT PLATE :ROTARY DISK :50	0J4203800000	
7	KNOB :THREAD TENSION :A	0C0220150000	
8	SPRING HOOK	0C0220080000	
9	TAPER SPRING :0.6MM DIA.	507706010000	
10	TENSION DISK	0C0210020000	
11	THREAD TENSION STUD	0C0210010010	
12	BASE :THREAD PRESSER	0C022018@010	
13	COUNTERSUNK TAPPING SCREW :3P*10	S550031001SD	
14	TRUSS HEAD SCREW :STEPPED :M3*4*2	S132030401TD	
15	TAPER SPRING :0.2MM DIA.	507702010000	
16	THREAD PRESSER	0C0220030010	
17	UPPER THREAD GUIDE :TENSION BASE	0C022017@020	
18	COUNTERSUNK TAPPING SCREW :3P*8	S550030801SD	
19	LAMP COVER :TENSION BASE	0C0250050000	
20	CARD :TENSION BASE	0J2601900030	
21	COATED CLIP :5	644500150000	
22	COVER :TENSION BASE	0C015002@000	1st Head
22	COVER :TENSION BASE[S]	0C015007@S00	
23	RAIL :THREAD BREAKAGE SENSOR	0C023014@000	
24	TC SENSOR[A]	0J2602300A20	
25	BRACKET :TC SENSOR CARD	0C0230220010	
26	CARD :TC SENSOR	0J2602100010	
27	TRUSS HEAD TAPPING SCREW :3P*6	S530030601SD	
28	DISK GUARD :A	0C023020@010	
29	DISK GUARD :B	0C023016@000	1st Head
29	DISK GUARD :C	0C023025@000	
30	PLATE SPRING :T0.3	507803050000	
31	BRACKET :TENSION BASE :L[S]	0C024003LS00	
32	BRACKET :TENSION BASE :R[S]	0C024003RS00	
33	TENSION BASE CORD COVER :A	0C054019@000	2nd Head
33	TENSION BASE CORD COVER :B	0C054020@000	
34	BUSHING :HARNESS	0J1501100010	
35	GROMMET	0C0250090000	
36			
37			
38			
39			
40			
41			
42			
43			
44			
45			
46			



15-Needle

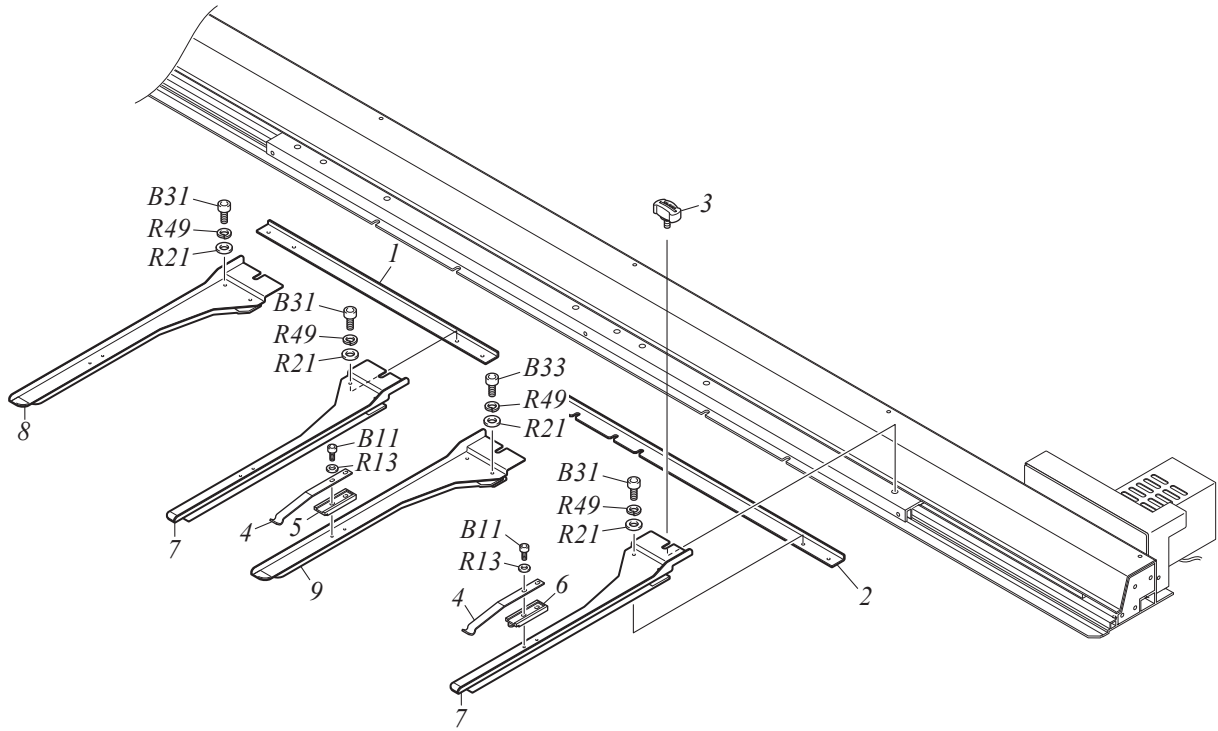


# THREAD STAND

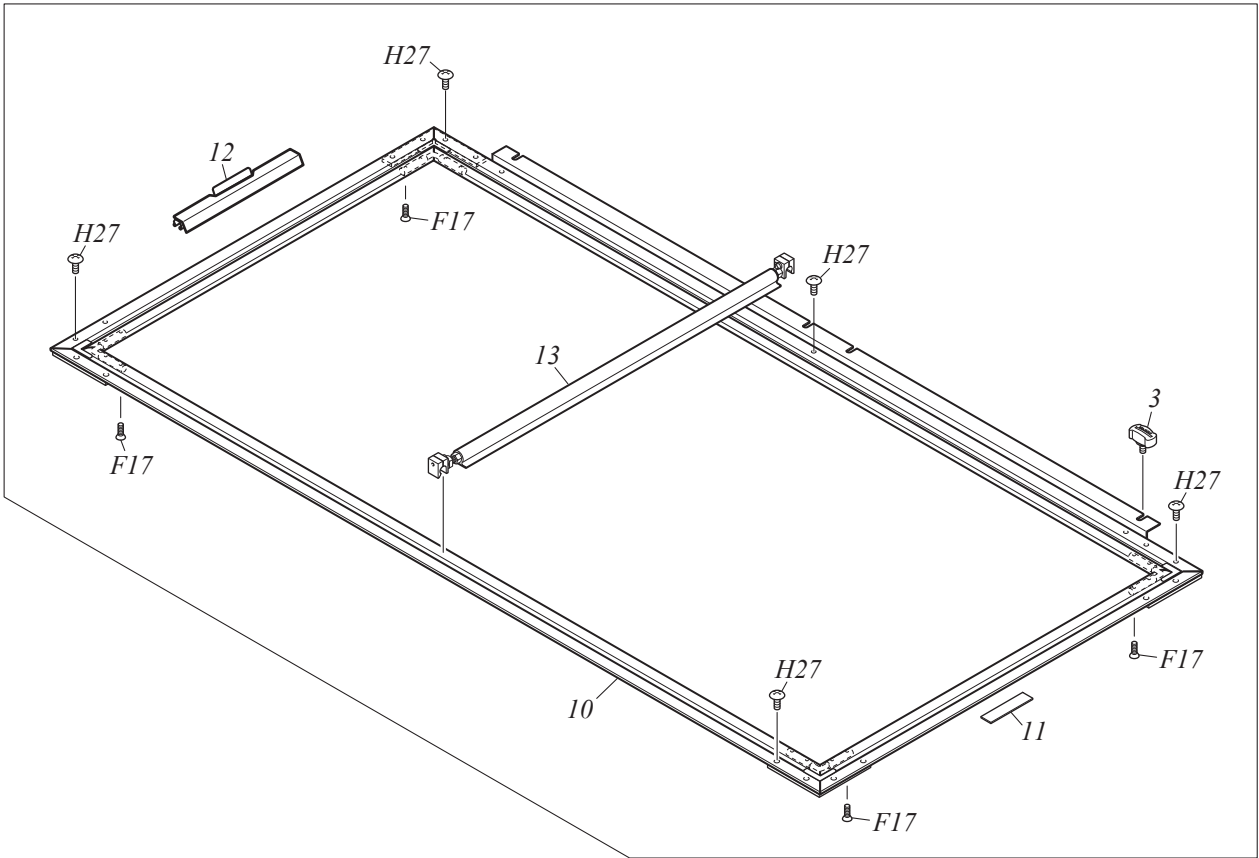
MJ-16

No.	Part Name	Part No.	Remark
1	THREAD STAND PLATE	1DA@@@@@010	
2	BASE :THREAD STAND PLATE	0D011004A020	
2	BASE :THREAD STAND PLATE	0D011004B020	15-Needle
3	COLLAR :NO.2 :7MM DIA.	502607010000	
4	COLLAR :NO.1 :5MM DIA.	0D0210140010	
5	JOINT :SPIRAL TUBE	0D0210130000	
6	SPIRAL TUBE :L230[A]	0D0210052A00	
7	BASE :THREAD STAND STUD	0D0110420000	
8	THREAD STAND STUD	0D0110410000	
9	FELT :THREAD STAND PLATE :T10	0D0110022000	
10	THREAD COURSE SUPPORT BAR :L345	0D0210313010	
11	THREAD STAND BLADE	0D0110010010	
12	THREAD COURSE	1EA@@@@@00	
13	THREAD GUIDE COLLAR :4.5MM DIA.	51650101@010	
14	THREAD TENSION :TUBE	UD1100000000	
15	KNOB :THREAD TENSION :A	0C0220150000	
16	SPRING HOOK	0C0220080000	
17	TAPER SPRING :0.6MM DIA.	507706010000	
18	TENSION DISK	0C0220160010	
19	THREAD TENSION STUD	0C0210010010	
20	THREAD TENSION GUIDE :TUBE	0D0210150020	
21			
22			
23			
24			
25			
26			
27			
28			
29			
30			
31			
32			
33			
34			
35			
36			
37			
38			
39			
40			
41			
42			
43			
44			
45			
46			
47			
48			
49			

EMBROIDERY FRAME



Option



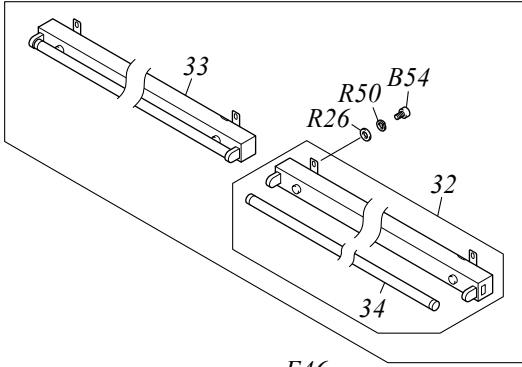
# EMBROIDERY FRAME

MJ-17

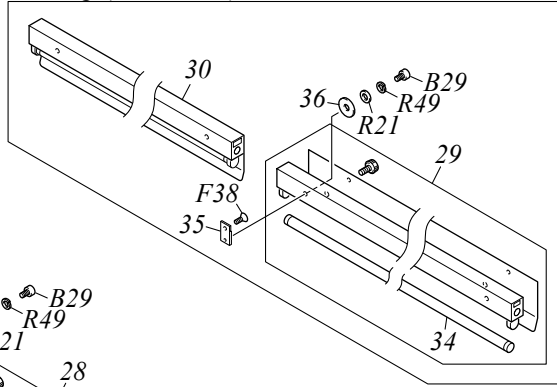
No.	Part Name	Part No.	Remark
1	JOINT PLATE :FRAME HOLDER :P360[S]	0G3150080S10	
2	JOINT PLATE :FRAME HOLDER :P500[S]	0G3150110S10	
3	KNOBBED SCREW :NO.2 :M5*6[S]	511F05060S10	
4	PLATE SPRING :HOLDER BASE :T1.5	507815060010	
5	STOPPER :NO.2	0G314002B020	
6	STOPPER :NO.1	0G314001A020	
7	FRAME HOLDER :R :Y450[S]	0G314016RS20	
8	FRAME HOLDER :L :Y450[S]	0G314016LS20	
9	FRAME HOLDER :ADJUST TYPE :Y450[S]	0G3140170S20	500P
10	BORDER FRAME[A]	308@@@010A10	
11	FELT :T1.9[S]	0G0240030000	
12	BORDER FRAME CLIP :BFF8 :L100-300[S]	0G052021@S00	
13	SUPPORTER :BS-450E[A]	930100300A00	4H500P or more
14			
15			
16			
17			
18			
19			
20			
21			
22			
23			
24			
25			
26			
27			
28			
29			
30			
31			
32			
33			
34			
35			
36			
37			
38			
39			
40			
41			
42			
43			
44			
45			
46			
47			
48			
49			
50			

ELECTRICAL PARTS

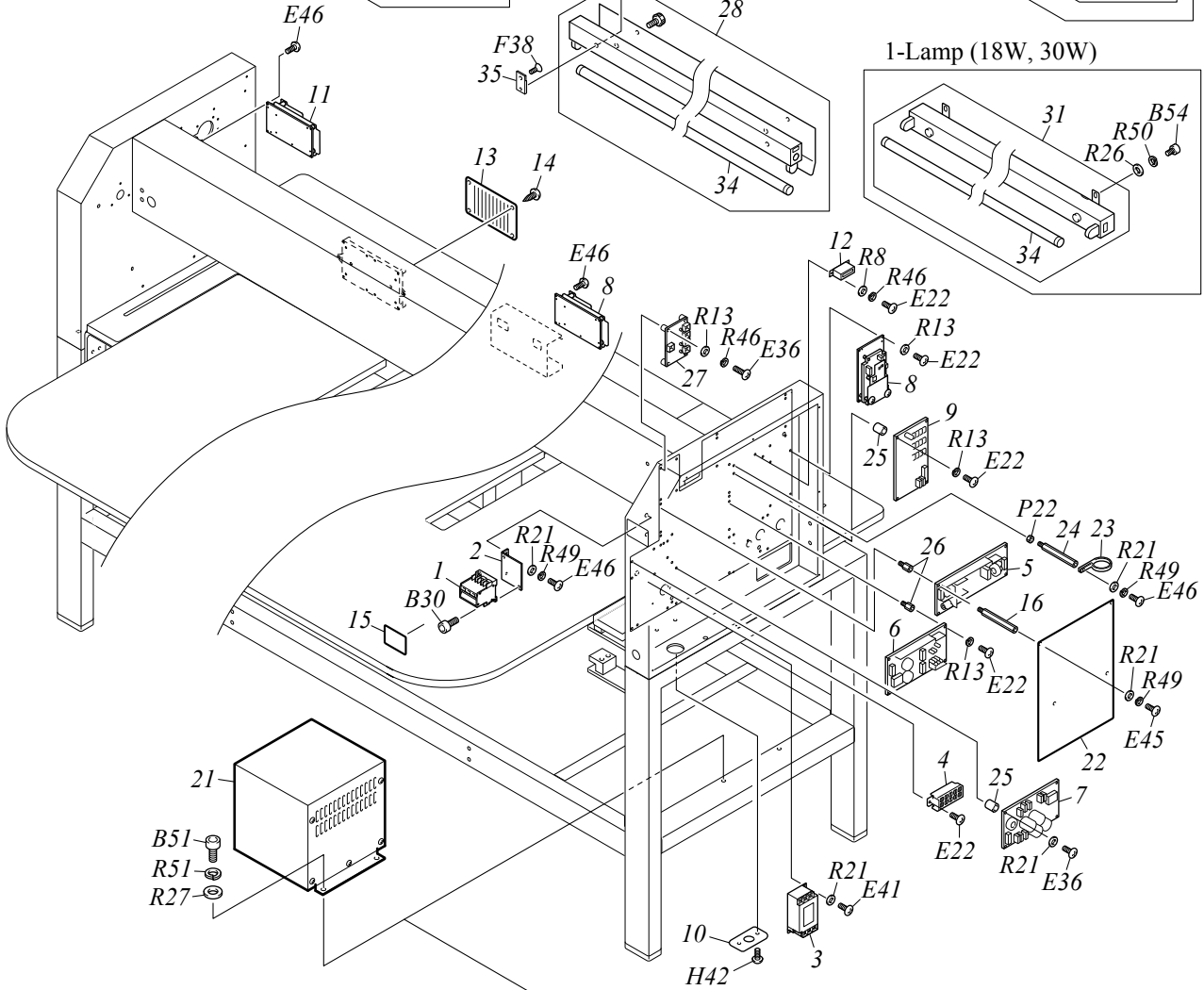
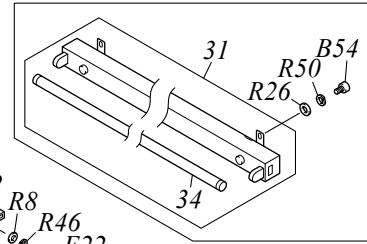
2-Lamp (18W, 30W)



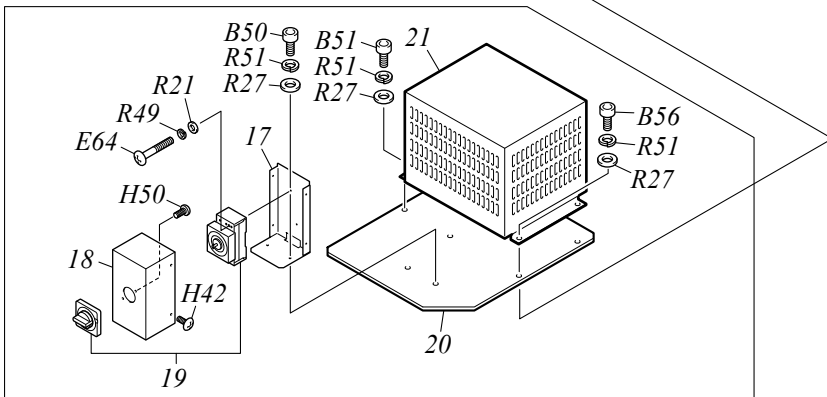
2-Lamp (36W, 40W)



1-Lamp (18W, 30W)



3-phase 350 to 440V spec.



# ELECTRICAL PARTS

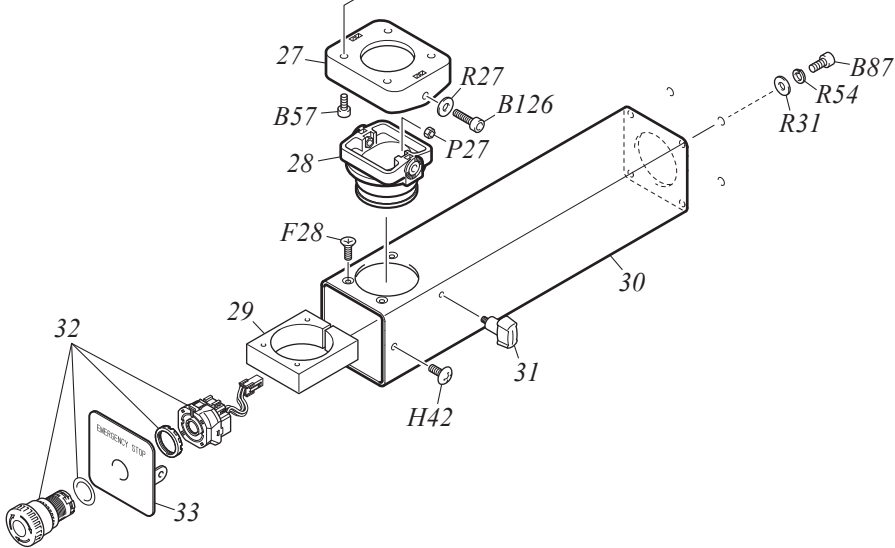
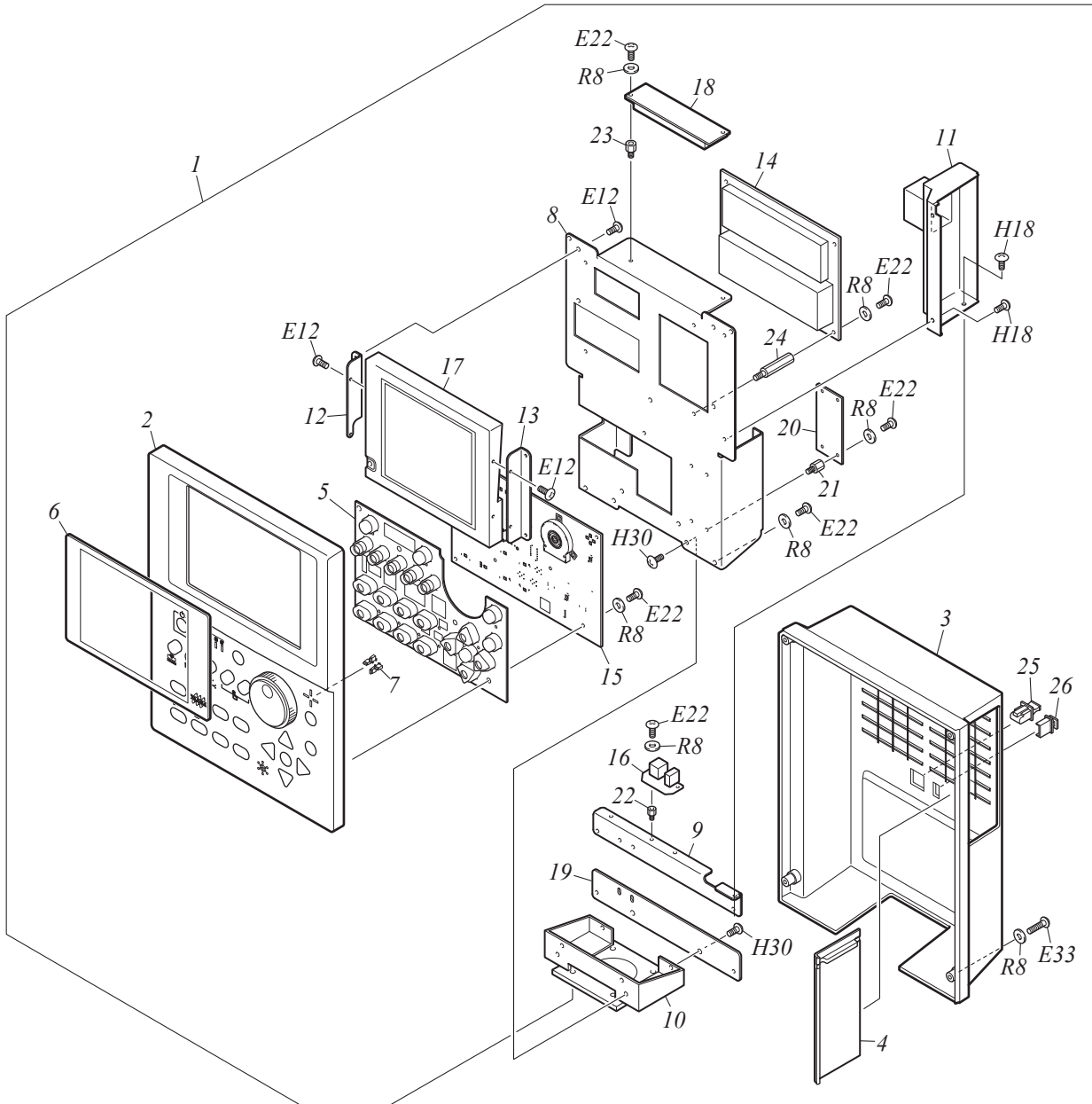
MJ-18

No.	Part Name	Part No.	Remark
1	CIRCUIT PROTECTOR :3-PHASE 10A	646100090010	
2	BRACKET :BREAKER :A	03013013A000	
2	BRACKET :BREAKER :B	03013013B000	6H500P, 8H
3	NOISE FILTER :SINGLE-PHASE	641400140000	
3	NOISE FILTER :3-PHASE	641400200000	
4	TERMINAL BASE :6P	643400030000	
5	DC POWER SUPPLY :24V	645300190011	
6	DC POWER SUPPLY :5V +/-12V	645300030000	
7	CARD :POWER SUPPLY :SINGLE-PHASE	0J2101601030	
7	CARD :POWER SUPPLY :3-PHASE	0J2101600030	
8	XY-AXIS DRIVER :X13-C[A]	0J0303500A10	
9	CARD :MACHINE	0J2502300050	
10	HOLDER HARNESS :A	03014003A010	
11	MAIN SHAFT DRIVER :X13-A :200[A]	0J0303300A10	200W Motor
11	MAIN SHAFT DRIVER :X13-B :400[A]	0J0303400A10	400W Motor
12	COUNTER :ELECTRO-MAGNETIC	0J4500200010	
13	CARD :HEAD :S5B	0J2703300030	
14	TRUSS HEAD TAPPING SCREW :3P*8	S530030801SD	
15	BOX STICK-ON PLATE	030790080000	
16	STUD :NO.1 :M3-47.9	505103020000	
17	BOX :BREAKER	0J1108300000	
18	COVER :BREAKER BOX	0J1108400000	
19	NO FUSE BREAKER :3-PHASE 15A[T]	0J0605800T00	
20	BASE :TRANSFORMER :C	0J1801800000	
21	TRANSFORMER :SEPARATE :X13A[A]	0J0901400A20	
21	TRANSFORMER :SEPARATE :X15[A]	0J0902400A00	
22	COVER :POWER SUPPLY	0J5101100000	
23	NYLON CLAMP :18N	644500170000	
24	STUD :NO.1 :M4-30	644501630000	
25	ONE-TOUCH COLLAR :TA-310	644500690000	
26	SPACER :HEXAGON :L6 :M3	644500890000	
27	CARD :USB HUB	0J2503700000	
28	FLUORESCENT LAMP :1-LAMP 40W :100V50/60HZ[A]	0J0714900A00	4H360P: 100V System
28	FLUORESCENT LAMP :1-LAMP 36W :DIRECT MOUNTING[A]	0J0710600A00	4H360P: 200V System
29	FLUORESCENT LAMP :1-LAMP 40W :100V50/60HZ[A]	0J0714900A00	6H500P/8H360P: 100V System
29	FLUORESCENT LAMP :2-LAMP 36W :DIRECT MOUNTING[A]	0J0710700A00	6H500P/8H360P: 200V System
30	FLUORESCENT LAMP :1-LAMP 40W :100V50/60HZ[A]	0J0714900A00	6H500P/8H360P: 100V System
30	FLUORESCENT LAMP :EXTENSION 36W :DIRECT MOUNTING[A]	0J0710900A00	6H500P/8H360P: 200V System
31	FLUORESCENT LAMP :30W :DIRECT MOUNTING	0J0700700000	2H: 100V System
31	FLUORESCENT LAMP :1-LAMP 18W :DIRECT MOUNTING :1ST LAMP	0J0715200000	2H: 200V System
32	FLUORESCENT LAMP :30W :DIRECT MOUNTING	0J0700700000	4H500P/6H360P/8H500P: 100/200V System
32	FLUORESCENT LAMP :1-LAMP 18W :DIRECT MOUNTING :1ST LAMP	0J0715200000	4H360P: 200V System
33	FLUORESCENT LAMP :1-LAMP 40W :200V50/60HZ[A]	0J0715000A00	6H500P/8H360P: 200V System
34	LAMP :FLUORESCENT LAMP :15W	0J7101500000	
34	LAMP :FLUORESCENT LAMP :18W	0J7100400000	
34	LAMP :FLUORESCENT LAMP :30W	0J7100600000	
34	LAMP :FLUORESCENT LAMP :36W	0J7100300000	
34	LAMP :FLUORESCENT LAMP :40W	0J7100500000	
35	BRACKET :FLUORESCENT LAMP	030120040000	
36	PLAIN WASHER :4.2*22*T2	519106020000	

Note: As for parts with mark @, please follow our instructions on Table of Contents in your parts order.

(QS06)

OPERATION PANEL



# OPERATION PANEL

MJ-19

No.	Part Name	Part No.	Remark
1	CONTROLLER :X16-J[A]	0J0204000A10	Japanese
1	CONTROLLER :X16-E[A]	0J0204001A10	English
2	OPERATION PANEL :FRONT[S]	0J1404200S20	
3	OPERATION PANEL :REAR	0J1404300010	
4	SHUTTER :FDD	0J1404400010	
5	OPERATION BUTTON	0J1404500000	
6	COVER :LCD PANEL	0J1404600010	
7	COVER :LAMP	0J1404700000	
8	BASE :CARD	0J1407600000	
9	SUPPORT :CARD BASE	0J1406500020	
10	BASE :OPERATION PANEL[S]	0J1405000S00	
11	COVER :USB	0J1408500000	
12	BRACKET :LCD :L	0J14077L0000	
13	BRACKET :LCD :R	0J14077R0000	
14	CARD :CPU-J :X16[A]	0J2304802A10	Japanese
14	CARD :CPU-E :X16[A]	0J2304803A10	English
15	CARD :SWITCH	0J3502000010	
16	CARD :I/F CONNECTOR	0J3200700010	
17	LCD :6.5 INCH	641200140000	
18	INVERTER :BACKLIGHT	645500160000	
19	SUPPORT :PANEL BASE	0J1406600020	
20	CARD :CAPACITOR	0J3502600010	
21	SPACER :HEXAGON	644500880000	
22	SPACER :HEXAGON	644500300000	
23	SPACER :HEXAGON	644500360000	
24	SPACER :HEXAGON :BSB-320	644500620000	
25	DUST CAP :LAN	644501460000	
26	DUST CAP :USB	644500490000	
27	BASE :CONTROLLER	030220590000	
28	HOLDER :CONTROLLER	030220580000	
29	CLAMP :CONTROLLER HOLDER[S]	030220870S00	
30	PIPE :CONTROLLER	030210410010	
31	KNOBBED SCREW :NO.2 :M5*9[S]	511F05080S10	
32	SWITCH :EMERGENCY STOP[A]	0J0603900A00	
33	BASE :EMERGENCY STOP SWITCH[S]	030230170S10	
34			
35			
36			
37			
38			
39			
40			
41			
42			
43			
44			
45			
46			
47			
48			

No.	Part No.	Remark	No.	Part No.	Remark
<b>A</b>	Flat Fillister Head Screw		B15	S120031203TD	M3*12
A1	SA41730351CN	1/8*44*3.5	B16	S120031201TN	M3*12
A2	SA41730501CN	1/8*44*5	B17	S120031502TD	M3*15
A3	SA41730551CN	1/8*44*5.5	B18	S120031501TN	M3*15
A4	SA41730601CN	1/8*44*6	B19	S120031601TN	M3*16
A5	SA41740301CN	9/64*40*3	B20	S120031801TN	M3*18
A6	SA41740402CN	9/64*40*4	B21	S120032003TD	M3*20
A7	SA41740401SA	9/64*40*4	B22	S120032001TN	M3*20
A8	SA41740403CL	9/64*40*4	B23	S120032501TN	M3*25
A9	SA41740404CN	9/64*40*4	B24	S120033001TN	M3*30 Half Threads
A10	SA41740501CN	9/64*40*5	B25	S120040501TD	M4*5
A11	SA41740601CN	9/64*40*6	B26	S120040502TN	M4*5
A12	SA41740602CN	9/64*40*6	B27	S120040602TD	M4*6
A13	SA41740701CN	9/64*40*7	B28	S120040601TN	M4*6
A14	SA41740801CN	9/64*40*8	B29	S120040801TD	M4*8
A15	SA41740802CN	9/64*40*8	B30	S120040802TN	M4*8
A16	SA41740803CN	9/64*40*8	B31	S120041001TD	M4*10
A17	SA41741001CN	9/64*40*10	B32	S120041002TN	M4*10
A18	SA41741202CN	9/64*40*12	B33	S120041201TD	M4*12
A19	SA41741501CN	9/64*40*15	B34	S120041202TN	M4*12
A20	SA41750431TN	11/64*40*4.3	B35	S120041401TN	M4*14
A21	SA41750701CN	11/64*40*7	B36	S120041502TD	M4*15
A22	SA41750751CN	11/64*40*7.5	B37	S120041501TN	M4*15
A23	SA41750901SH	11/64*40*9	B38	S120041601TN	M4*16
A24	SA41751151CN	11/64*40*11.5	B39	S120041801TN	M4*18
A25	SA41751201CN	11/64*40*12	B40	S120042002TD	M4*20
A26	S141030801SC	M3*8	B41	S120042001TN	M4*20
A27	S141030802SD	M3*8	B42	S120042502TD	M4*25
A28	S141031001CC	M3*10	B43	S120042501TN	M4*25
A29	S141041001SC	M4*10	B44	S120042504TN	M4*25 Half Threads
			B45	S120043001TN	M4*30
			B46	S120043502TD	M4*35
			B47	S120043501TN	M4*35
			B48	S120044001TN	M4*40
			B49	S120044501TN	M4*45
<b>B</b>	Hexagon Socket Head Cap Screw		B50	S120050601TN	M5*6
B1	S120020801TD	M2*8	B51	S120050801TD	M5*8
B2	S120021001TD	M2*10	B52	S120050802TN	M5*8
B3	S120480501TN	M2.6*5	B53	S120051001TD	M5*10
B4	S120030301TN	M3*3	B54	S120051002TN	M5*10
B5	S120030401TN	M3*4	B55	S120051004TP	M5*10
B6	S120030502TD	M3*5	B56	S120051201TD	M5*12
B7	S120030501TN	M3*5	B57	S120051202TN	M5*12
B8	S120030601TD	M3*6	B58	S120051401TN	M5*14
B9	S120030602TN	M3*6	B59	S120051501MZ	M5*15
B10	S120030804MZ	M3*8	B60	S120051502TD	M5*15
B11	S120030801TD	M3*8	B61	S120051503TN	M5*15
B12	S120030802TN	M3*8	B62	S120051601TN	M5*16
B13	S120031001TD	M3*10	B63	S120051801TN	M5*18
B14	S120031002TN	M3*10	B64	S120052001TD	M5*20



# B.C

No.	Part No.	Remark	No.	Part No.	Remark
<b>B</b>	Hexagon Socket Head Cap Screw		B114	S120086001TN	M8*60
B65	S120052002TN	M5*20	B115	S120087001TN	M8*70
B66	S120052201TN	M5*22	B116	S120102002TD	M10*20
B67	S120052301TN	M5*23	B117	S120102001TN	M10*20
B68	S120052501TN	M5*25	B118	S120102501TN	M10*25
B69	S120053001TN	M5*30	B119	S120103001TN	M10*30
B70	S120053503TD	M5*35	B120	S120103501TN	M10*35
B71	S120053501TN	M5*35	B121	S120104001TN	M10*40
B72	S120053502TN	M5*35 Half Threads	B122	S120123001TN	M12*30
B73	S120054001TN	M5*40	B123	S120123501TN	M12*35
B74	S120054501TN	M5*45	B124	S120081801TN	M8*18
B75	S120055001TN	M5*50	B125	S120470501TN	M2.5*5
B76	S120055002TN	M5*50 Half Threads	B126	S120052502TD	M5*25
B77	S120055501TN	M5*55	B127	S120030302TD	M3*3
B78	S120056001TN	M5*60	B128	S120051504TN	M5*15 Low Head
B79	S120056003TN	M5*60 Half Threads	B129	S120031801TD	M3*18
B80	S120060801TN	M6*8	B130	S120052801TN	M5*28
B81	S120060901TN	M6*9	B131	S120044502TN	M4*45 Half Threads
B82	S120061001TN	M6*10	B132	S120081501TD	M8*15
B83	S120061202TD	M6*12	B133	S120051802TD	M5*18
B84	S120061201TN	M6*12	B134	S120470401TN	M2.5*4
B85	S120061501TD	M6*15	B135	S120033003SD	M3*30
B86	S120061502TN	M6*15	B136	S120030402TD	M3*4
B87	S120061801TD	M6*18	B137	S120033002TN	M3*30
B88	S120061802TN	M6*18	B138	S120067502TN	M6*75
B89	S120062001TN	M6*20	B139	S120050501TN	M5*5
B90	S120062501TN	M6*25			
B91	S120063001TN	M6*30			
B92	S120063501TN	M6*35			
B93	S120064001TN	M6*40			
B94	S120064501TN	M6*45			
B95	S120064502TN	M6*45 Half Threads	<b>C</b>	Hexagon Bolt	
B96	S120065001TN	M6*50 Half Threads	C1	S121030601SD	M3*6
B97	S120066501TN	M6*65	C2	S121040801SD	M4*8
B98	S120067501TN	M6*75 Half Threads	C3	S121042501SD	M4*25
B99	S120068001TN	M6*80 Half Threads	C4	S121051001SD	M5*10
B100	S12006A001TN	M6*100	C5	S121051502SC	M5*15
B101	S120081201TN	M8*12	C6	S121051501SD	M5*15
B102	S120081502TN	M8*15	C7	S121052001SD	M5*20
B103	S120081503TP	M8*15	C8	S121061501SC	M6*15
B104	S120081601TN	M8*16	C9	S121062501TN	M6*25
B105	S120082001TN	M8*20	C10	S121064501SD	M6*45
B106	S120082502TN	M8*25	C11	S121065001SC	M6*50
B107	S120083001TN	M8*30	C12	S121065002SD	M6*50
B108	S120083501TN	M8*35	C13	S121065501SD	M6*55
B109	S120084001TN	M8*40	C14	S121066501SD	M6*65
B110	S120084002TN	M8*40 Half Threads	C15	S121067501SC	M6*75
B111	S120084501TN	M8*45	C16	S121081501TN	M8*15
B112	S120084502TN	M8*45 Half Threads	C17	S121081801TN	M8*18
B113	S120085001TN	M8*50	C18	S121103001TN	M10*30

No.	Part No.	Remark	No.	Part No.	Remark
<b>C Hexagon Bolt</b>			E7	S160470402MZ	M2.5*4
C19	S121103502SC	M10*35	E8	S160470501MZ	M2.5*5
C20	S121103501TN	M10*35	E9	S160470801MZ	M2.5*8
C21	S121104001SC	M10*40	E10	S160471301MZ	M2.5*13
C22	S121125001TN	M12*50	E11	S160471302SD	M2.5*13
C23	S12112B001TN	M12*110	E12	S160480601SD	M2.6*6
C24	S121082501TN	M8*25	E13	S160030301MZ	M3*3
C25	S121102501TN	M10*25	E14	S160030302SD	M3*3
C26	S121082202TN	M8*22	E15	S160030403CD	M3*4
C27	S121041001SD	M4*10	E16	S160030401MZ	M3*4
C28	S121040601SD	M4*6	E17	S160030402SD	M3*4
			E18	S160030501MZ	M3*5
			E19	S160030502SD	M3*5
			E20	S160030601MZ	M3*6
			E21	S160030603SA	M3*6
			E22	S160030602SD	M3*6
<b>D Round Fillister Head Screw</b>			E23	S160030801MZ	M3*8
D1	SA43740401CL	9/64*40*4	E24	S160030803SA	M3*8
D2	SA43740501CL	9/64*40*5	E25	S160030802SD	M3*8
D3	SA43740502CN	9/64*40*5	E26	S160031001MZ	M3*10
D4	SA43740503CN	9/64*40*5	E27	S160031003SC	M3*10 Half Threads
D5	SA43740504CN	9/64*40*5	E28	S160031002SD	M3*10
D6	SA43740601CL	9/64*40*6	E29	S160031101SC	M3*11 Half Threads
D7	SA43740602CN	9/64*40*6	E30	S160031201MZ	M3*12
D8	SA43740603CL	9/64*40*6	E31	S160031202SD	M3*12
D9	SA43740604CN	9/64*40*6	E32	S160031401SA	M3*14
D10	SA43740682CN	9/64*40*6.8	E33	S160031402SD	M3*14
D11	SA43740801CL	9/64*40*8	E34	S160031501SD	M3*15
D12	SA43740802CN	9/64*40*8	E35	S160031601SD	M3*16
D13	SA43741001CN	9/64*40*10	E36	S160031801SD	M3*18
D14	SA43741201CN	9/64*40*12	E37	S160032001SD	M3*20
D15	SA43750601CN	11/64*40*6	E38	S160033001SD	M3*30
D16	SA43750652CN	11/64*40*6.5	E39	S160034001SD	M3*40 Half Threads
D17	SA43751051CN	11/64*40*10.5	E40	S160035001SD	M3*50 Half Threads
D18	SA43751201CN	11/64*40*12	E41	S160040401SD	M4*4
D19	SA43751501CN	11/64*40*15	E42	S160040501SD	M4*5
D20	SA43812451CN	9/32*28*24.5	E43	S160040601MZ	M4*6
D21	S143030501SD	M3*5	E44	S160040602SD	M4*6
			E45	S160040801SD	M4*8
			E46	S160041001SD	M4*10
			E47	S160041201SD	M4*12
			E48	S160041501SD	M4*15
			E49	S160041801SD	M4*18
<b>E Pan Head Screw</b>			E50	S160043001SD	M4*30
E1	S160410141MZ	M1.4*1.4	E51	S160045001SD	M4*50
E2	S160020202MZ	M2*2	E52	S160046001SD	M4*60
E3	S160020301MZ	M2*3	E53	S160050601SD	M5*6
E4	S160020401MZ	M2*4	E54	S160050701SD	M5*7
E5	S160020801MZ	M2*8	E55	S160050801SD	M5*8
E6	S160470301MZ	M2.5*3	E56	S160051002MZ	M5*10

# E.F.G.H

No.	Part No.	Remark	No.	Part No.	Remark
<b>E Pan Head Screw</b>			F27	S150040802SD	M4*8
E57	S160051001SD	M5*10	F28	S150041001MZ	M4*10
E58	S160051201SD	M5*12	F29	S150041002SD	M4*10
E59	S160053001SD	M5*12	F30	S150041201SD	M4*12
E60	S160051501SD	M5*15	F31	S150041401SD	M4*14
E61	S160054501SD	M5*45	F32	S150041501SD	M4*15
E62	S160055001SD	M5*50	F33	S150042001SD	M4*20
E63	S160056001SD	M5*60	F34	S150042201SD	M4*22
E64	S160047001SD	M4*70	F35	S150042501SD	M4*25
E65	S160480801SD	M2.6*8	F36	S150050601SD	M5*6
E66	S160030504SC	M3*5	F37	S150050801SD	M5*8
E67	S160480602MZ	M2.6*6	F38	S150051001MZ	M5*10
E68	S160031403MZ	M3*14	F39	S150051002SD	M5*10
E69	S160042001SD	M4*20	F40	S150051201SD	M5*12
E70	S160044501SD	M4*45	F41	S150051501SD	M5*15
E71	S160020203SD	M2*2	F42	S150053001SD	M5*30
E72	S160470502SD	M2.5*5	F43	S150053501SD	M5*35
E73	SA60740551TN	9/64*40*5.5	F44	S150054001SD	M5*40
E74	S160431001MZ	M1.7*10	F45	S150061502SC	M6*15
			F46	S150061503SD	M6*15
			F47	S150063501SD	M6*35
			F48	S150081201SD	M8*12
			F49	S150087001TN	M8*70
<b>F Countersunk Head Screw</b>					
F1	SA51741001CN	9/64*40*10			
F2	SA50750801CN	11/64*40*8			
F3	S150020601SD	M2*6			
F4	S150030401MZ	M3*4			
F5	S150030402SD	M3*4	<b>G Round Countersunk Head Screw</b>		
F6	S150030501MZ	M3*5	G1	SA53730601CL	1/8*44*6
F7	S150030502SD	M3*5	G2	SA53740301CL	9/64*40*3
F8	S151030601SD	M3*6	G3	SA53740351CL	9/64*40*3.5
F9	S150030601MZ	M3*6	G4	SA53740401CL	9/64*40*4
F10	S150030602SD	M3*6	G5	SA53740601CL	9/64*40*6
F11	S150030701SD	M3*7	G6	SA53740701CL	9/64*40*7
F12	S151030801SD	M3*8	G7	SA53740951CL	9/64*40*9.5
F13	S150030801MZ	M3*8	G8	SA53741201CL	9/64*40*12
F14	S150030804SC	M3*8	G9	SA53740681CL	9/64*40*6.8
F15	S150030802SD	M3*8			
F16	S150030803SN	M3*8			
F17	S150031002MZ	M3*10			
F18	S150031001SD	M3*10			
F19	S150031201MZ	M3*12			
F20	S150031202SD	M3*12	<b>H Truss Head Screw</b>		
F21	S150031501MZ	M3*15	H1	SA30730701CL	1/8*44*7
F22	S150031601SD	M3*16	H2	SA30740301CL	9/64*40*3.5
F23	S150040501SD	M4*5	H3	SA30740401CL	9/64*40*4
F24	S150040602MZ	M4*6	H4	SA31740401CM	9/64*40*4
F25	S150040601SD	M4*6	H5	SA30740601CL	9/64*40*6
F26	S150040801MZ	M4*8	H6	SA30740801CL	9/64*40*8

No.	Part No.	Remark	No.	Part No.	Remark
<b>H</b>	Truss Head Screw		H56	S130060801SD	M6*8
H7	S130470301MZ	M2.5*3	H57	S130061001SD	M6*10
H8	S130470302SD	M2.5*3	H58	S130062201SD	M6*22
H9	S130470401MZ	M2.5*4	H59	S130062501SD	M6*25
H10	S130470402SA	M2.5*4	H60	S130063501SD	M6*35
H11	S130470403SD	M2.5*4	H61	S130064001SD	M6*40
H12	S130030301MZ	M3*3	H62	S130031501SD	M3*15
H13	S130030302SD	M3*3	H63	S130043501SD	M4*35
H14	S130030402SD	M3*4	H64	S130020201SD	M2*2
H15	S130030501MZ	M3*5	H65	S130470501SD	M2.5*5
H16	S130030502SD	M3*5	H66	S130052002MZ	M5*20
H17	S130030601MZ	M3*6	H67	S130054501SE	M5*45
H18	S130030602SD	M3*6	H68	S130050502MZ	M5*5
H19	S130030603SA	M3*6	H69	S130054001SD	M5*40
H20	S130030802SD	M3*8	H70	S130055001SD	M5*50
H21	S130030803SA	M3*8			
H22	S130031001MZ	M3*10			
H23	S130031002SD	M3*10			
H24	S130032001SD	M3*20			
H25	S130040401MZ	M4*4			
H26	S130040402SD	M4*4	<b>J</b> Round Head Screw		
H27	S130040501MZ	M4*5	J1	S162020301MZ	M2*3
H28	S130040502SD	M4*5	J2	S162030801SD	M3*8
H29	S130040601MZ	M4*6	J3	S162030802SE	M3*8
H30	S130040602SD	M4*6	J4	S162031001MZ	M3*10
H31	S130040651SD	M4*6.5			
H32	S130040801MZ	M4*8			
H33	S130040802SD	M4*8			
H34	S130040803MZ	M4*8 JIS			
H35	S130041002MZ	M4*10			
H36	S130041001SD	M4*10	<b>K</b> Slotted Set Screw		
H37	S130041201SD	M4*12	K1	SA71730351CN	1/8*44*3.5
H38	S130041502SD	M4*15	K2	SA71740601CN	9/64*40*6
H39	S130042001SD	M4*20	K3	SA71750251CN	11/64*40*2.5
H40	S130050501SD	M5*5	K4	SA71750351CN	11/64*40*3.5
H41	S130050602MZ	M5*6	K5	SA71750401CN	11/64*40*4
H42	S130050601SD	M5*6	K6	SA71750501CN	11/64*40*5
H43	S130050651SD	M5*6.5	K7	SA71790501CN	15/64*28*5
H44	S130050701SD	M5*7	K8	SA71791001CN	15/64*28*10
H45	S130050801MZ	M5*8	K9	SA71791501CN	15/64*28*15
H46	S130050802SD	M5*8	K10	SA71791701CN	15/64*28*17
H47	S130051002MZ	M5*10	K11	SA71800401CN	1/4*40*4
H48	S130051001SD	M5*10	K12	SA71800451CN	1/4*40*4.5
H49	S130051201MZ	M5*12	K13	SA71800501CN	1/4*40*5
H50	S130051202SD	M5*12	K14	SA71800601CN	1/4*40*6
H51	S130051501SD	M5*15	K15	SA71800801CN	1/4*40*8
H52	S130052001SD	M5*20	K16	SA71811201CN	9/32*28*12
H53	S130052502SD	M5*25	K17	S171050601TN	M5*6
H54	S130053001SD	M5*30			
H55	S130053501SD	M5*35			

# L.M.N

No.	Part No.	Remark	No.	Part No.	Remark
<b>L</b>	Hexagon Socket Head Set Screw		<b>M</b>	Hexagon Socket Head Button Screw	
L1	SA70730251CN	1/8*44*2.5	M1	S124030401SC	M3*4
L2	SA70730301CN	1/8*44*3	M2	S124040601SC	M4*6
L3	SA70750901CN	11/64*28*9	M3	S124040802SC	M4*8
L4	SA70750401CN	11/64*40*4	M4	S124040803SD	M4*8
L5	SA70750601CN	11/64*40*6	M5	S124051001SC	M5*10
L6	SA70750801CN	11/64*40*8	M6	S124051002SD	M5*10
L7	SA70790401CN	15/64*28*4	M7	S124051501SD	M5*15
L8	SA70790901CN	15/64*28*9	M8	S124081201SC	M8*12
L9	S170470301TN	M2.5*3	M9	S124081202SD	M8*12
L10	S170030201TN	M3*2	M10	S124081501SD	M8*15
L11	S170030301TN	M3*3	M11	S124030501SC	M3*5
L12	S170030401TN	M3*4	M12	S124030801SC	M3*8
L13	S170030501TN	M3*5	M13	S124030502TC	M3*5
L14	S170030601TN	M3*6	M14	S124030402SD	M3*4
L15	S170030801TN	M3*8	M15	S124030601SD	M3*6
L16	S170040301TN	M4*3	M16	S124040401SD	M4*4
L17	S170040401TN	M4*4	M17	S124030602SC	M3*6
L18	S170040501TN	M4*5			
L19	S170040601TN	M4*6			
L20	S170040602TN	M4*6 Half Threads			
L21	S170040801TN	M4*8			
L22	S170041001TN	M4*10	<b>N</b>	Screw with Washer	
L23	S170041201TN	M4*12	N1	S660480601SE	M2.6*6
L24	S170050401TN	M5*4	N2	S660030601SE	M3*6
L25	S170050501TN	M5*5	N3	S660030801SE	M3*8
L26	S170050601TN	M5*6	N4	S660031001SE	M3*10
L27	S170050801TN	M5*8	N5	S660031501SE	M3*15
L28	S170051001TN	M5*10	N6	S660031601SE	M3*16
L29	S170051201TN	M5*12	N7	S660031801SE	M3*18
L30	S170051501TN	M5*15	N8	S660040601SE	M4*6
L31	S170060501TN	M6*5	N9	S660040801SE	M4*8
L32	S170060601TN	M6*6	N10	S660041001SE	M4*10
L33	S170060801TN	M6*8	N11	S660041201SE	M4*12
L34	S170061001TN	M6*10	N12	S660045501SE	M4*55
L35	S170061801TN	M6*18	N13	S660051001SE	M5*10
L36	S170080801TN	M8*8	N14	S660051201SE	M5*12
L37	S170081001TN	M8*10	N15	S660051401SE	M5*14
L38	S170081501TN	M8*15	N16	S660051801SE	M5*18
L39	S170031001TN	M3*10	N17	S660030801MZ	M3*8
L40	S170031201TN	M3*12	N18	S660030502MZ	M3*5
L41	S170053001TN	M5*30	N19	S660031502MZ	M3*15
L42	S170061201TN	M6*12	N20	S660030603S1	M3*6 (P-4)
L43	S174060601TN	M6*6B	N21	S660030802S1	M3*8 (P-3)
L44	S170050802TN	M5*8 Narrow Treading			

No.	Part No.	Remark	No.	Part No.	Remark
<b>P</b>	<b>Nut</b>		<i>P50</i>	S212470001SC	M2.5 Type 3
<i>P1</i>	SB10730601CN	1/8*44*6*3	<i>P51</i>	SB12750701SC	11/64*7*2.2 Type 3
<i>P2</i>	SB10740601CL	9/64*40*6*2	<i>P52</i>	S211040001SD	M4 Type 2
<i>P3</i>	SB10740602CN	9/64*40*6*3	<i>P53</i>	SB12740601MZ	9/64*6*2 Type 3
<i>P4</i>	SB10750602CN	11/64*40*6*2	<i>P54</i>	SB10750601CN	11/64*6*2.2
<i>P5</i>	SB10750603CN	11/64*40*6*3	<i>P55</i>	S212030003SD	M3 Type 3
<i>P6</i>	SB10750701CN	11/64*40*7*3	<i>P56</i>	S217060001SD	M6 Cap
<i>P7</i>	SB11750701CN	11/64*40*7*3	<i>P57</i>	S217030001SD	M3 Cap
<i>P8</i>	S210420001XA	M1.6 Type 1			
<i>P9</i>	S210020001SD	M2 Type 1			
<i>P10</i>	S212020002SD	M2 Type 3			
<i>P11</i>	S210460002SD	M2.3 Type 1			
<i>P12</i>	S210470001MZ	M2.5 Type 1			
<i>P13</i>	S212480001SD	M2.6 Type 3			
			<b>R</b>	<b>Washer</b>	
<i>P14</i>	S210030001MZ	M3 Type 1	<i>R1</i>	S301410301MZ	Plain M1.4*3*t0.3
<i>P15</i>	S210030002SC	M3 Type 1	<i>R2</i>	S301020351XZ	Plain M2*3.5*t0.5
<i>P16</i>	S210030003SD	M3 Type 1	<i>R3</i>	S301020431SD	Plain M2*4.3*t0.3
<i>P17</i>	S215030001SD	M3 Thumbscrew Type 2	<i>R4</i>	S301480501XB	Plain M2.6*5*t0.5
<i>P18</i>	S212030001SC	M3 Type 3	<i>R5</i>	S301480751XB	Plain M2.6*7.5*t0.5
<i>P19</i>	S212030002SD	M3 Type 3	<i>R6</i>	S301030602XZ	Plain M3*6*t0.3
<i>P20</i>	S212530001SC	M3.5 Type 3	<i>R7</i>	S301030603SC	Plain M3*6*t0.5
<i>P21</i>	S210040001SC	M4 Type 1	<i>R8</i>	S301030601SD	Plain M3*6*t0.5
<i>P22</i>	S210040002SD	M4 Type 1	<i>R9</i>	S301030701SD	Plain M3*7*t0.5
<i>P23</i>	S212040001SC	M4 Type 3	<i>R10</i>	S301030804SD	Plain M3*8*t0.3
<i>P24</i>	S212040002SD	M4 Type 3	<i>R11</i>	S301030805MZ	Plain M3*8*t0.5
<i>P25</i>	S217040001SD	M4 Cap	<i>R12</i>	S301030801SC	Plain M3*8*t0.5
<i>P26</i>	S210050001SC	M5 Type 1	<i>R13</i>	S301030802SD	Plain M3*8*t0.5
<i>P27</i>	S210050002SD	M5 Type 1	<i>R14</i>	S301030803SD	Plain M3*8*t1
<i>P28</i>	S212050001SC	M5 Type 3	<i>R15</i>	S301040805SC	Plain M4*8*t0.5
<i>P29</i>	S212050002SD	M5 Type 3	<i>R16</i>	S301040802SD	Plain M4*8*t0.5
<i>P30</i>	S217050001SD	M5 Cap	<i>R17</i>	S301040804SC	Plain M4*8*t0.8
<i>P31</i>	S210060001SC	M6 Type 1	<i>R18</i>	S301040803SD	Plain M4*8*t0.8
<i>P32</i>	S210060002SC	M6 Type 1 (Left)	<i>R19</i>	S301041004MZ	Plain M4*10*t0.8
<i>P33</i>	S210060003SD	M6 Type 1	<i>R20</i>	S301041002SC	Plain M4*10*t0.8
<i>P34</i>	S210060004SD	M6 Type 1 (Left)	<i>R21</i>	S301041003SD	Plain M4*10*t0.8
<i>P35</i>	S212060001SC	M6 Type 3	<i>R22</i>	S301041201SC	Plain M4*12*t1
<i>P36</i>	S210080001SC	M8 Type 1	<i>R23</i>	S301051002SC	Plain M5*10*t0.8
<i>P37</i>	S210080002SD	M8 Type 1	<i>R24</i>	S301051003SD	Plain M5*10*t0.8
<i>P38</i>	S212080001SC	M8 Type 3	<i>R25</i>	S301051204MZ	Plain M5*12*t0.8
<i>P39</i>	S212080002SD	M8 Type 3	<i>R26</i>	S301051202SC	Plain M5*12*t0.8
<i>P40</i>	S210100001SC	M10 Type 1	<i>R27</i>	S301051203SD	Plain M5*12*t0.8
<i>P41</i>	S213100002SD	M10 With Flange	<i>R28</i>	S301061102SC	Plain M6*11*t1.6
<i>P42</i>	S213100003SD	M10 With Disk Spring	<i>R29</i>	S301061151SC	Plain M6*11.5*t0.8
<i>P43</i>	S210120001SC	M12 Type 1	<i>R30</i>	S301061301SC	Plain M6*13*t1.0
<i>P44</i>	S212120001SC	M12 Type 3	<i>R31</i>	S301061302SD	Plain M6*13*t1.0
<i>P45</i>	S212120002SD	M12 Type 3	<i>R32</i>	S301061601SC	Plain M6*16*t1.0
<i>P46</i>	S210160001SD	M16 Type 1	<i>R33</i>	S301081601SD	Plain M8*16*t1.2
<i>P47</i>	S212160002SC	M16 Type 1	<i>R34</i>	S301081801SC	Plain M8*18*t1.6
<i>P48</i>	S212160001SD	M16 Type 3	<i>R35</i>	S301081802SD	Plain M8*18*t1.6
<i>P49</i>	S210200001SC	M20 Type 1	<i>R36</i>	S301081803SC	Plain M8*18*t3.2

# R

No.	Part No.	Remark	No.	Part No.	Remark
R	Washer				
R37	S301082201SC	Plain M8*22*t3.2			
R38	S301102201SC	Plain M10*22*t1.6			
R39	S301102601SC	Plain M10*26*t3.2			
R40	S301102602SD	Plain M10*26*t3.2			
R41	S301122051SC	Plain M12*20.5*t2			
R42	S301163201SD	Plain M16*32*t2.5			
R43	S402020001KD	Spring M2			
R44	S402480001KC	Spring M2.6			
R45	S402030001KC	Spring M3			
R46	S402030002KD	Spring M3			
R47	S402530001KC	Spring M3.5			
R48	S402040001KC	Spring M4			
R49	S402040002KD	Spring M4			
R50	S402050001KC	Spring M5			
R51	S402050002KD	Spring M5			
R52	S402050003MZ	Spring M5			
R53	S402060001KC	Spring M6			
R54	S402060002KD	Spring M6			
R55	S402080001KC	Spring M8			
R56	S402080002KD	Spring M8			
R57	S402100001KC	Spring M10			
R58	S402100002KD	Spring M10			
R59	S402120001KC	Spring M12			
R60	S305041101TP	Wave M4			
R61	S305051001TN	Wave M5			
R62	S305061051TN	Wave M6			
R63	S304040851TP	With teeth M4			
R64	S304051001TP	With teeth M5			
R65	S306080001SC	Slant M8			
R66	S303040801SC	Disk Spring M4			
R67	S301040901EZ	Plain M4*9*t0.3			
R68	S301470252MZ	Plain M2.5*5*t0.5			
R69	S301030605SD	Plain M3*6*t1.0			
R70	S301030604MZ	Plain M3*6*t0.5			
R71	S305051101TN	Wave M5			
R72	S301470253SD	Plain M2.5*5*t0.5			
R73	S301470251SC	Plain M2.5*5*t0.5			
R74	S305101451TN	Wave M10			
R75	S304080001TP	With teeth M8			
R76	S301061152SD	Plain M6*11.5*t0.8			

**1st Edition    November, 2004**

**7th Edition    June, 2013**

■ **Manufactured by:**

**Tokai Industrial Sewing Machine Co., Ltd.**

NO.1800, Ushiyama-cho, Kasugai, Aichi-pref., 486-0901, Japan  
Telephone:568-33-1161 Fax:568-33-1191

■ **Distributed by:**

**Tajima Industries Ltd.**

19-22, Shirakabe, 3-chome, Higashi-ku, Nagoya, 461-0011, Japan  
Telephone:52-932-3444 Fax:52-932-2457

●Copy, reprint, or reform of a part or whole of this manual without permission is prohibited.



## ***THE TAJIMA GROUP***

<http://www.tajima.com>

### **Tajima Industries Ltd.**

19-22, Shirakabe, 3-chome, Higashi-ku, Nagoya, 461-0011, JAPAN  
TEL.81-52-932-3811 FAX.81-52-932-3815

### **Tokai Industrial Sewing Machine Co.,Ltd.**

NO.1800, Ushiyama-cho, Kasugai, Aichi-pref., 486-0901, JAPAN  
TEL.81-568-33-1161 FAX.81-568-33-1191