

PARTS BOOK

K-Series Tubular-small

K-UK1204-45

K-UK1504-45

K-UK(UH)1506-45

PME-190228

Notice

1. 본 책자는Parts Book으로 제작되었으므로 매뉴얼로 사용 불가합니다.
2. 조에 속한 파트는 개별 조립 시 제품의 파손 또는 자수 불량 발생될 수 있어 해당 파트에 대한 주문 시에는 조 품목으로만 구입이 가능합니다.
3. 당사의 Part Book은 다음과 같은 순서로 분류되어 있으니 제품을 구입한 소비자께서는 다음과 같은 순서로 제품을 검색하여 주십시오.

- 1) Machine Layout
- 2) Section
- 3) Part List

※소모성 부품은 자수 기계의 보증 기간과 상관 없음.

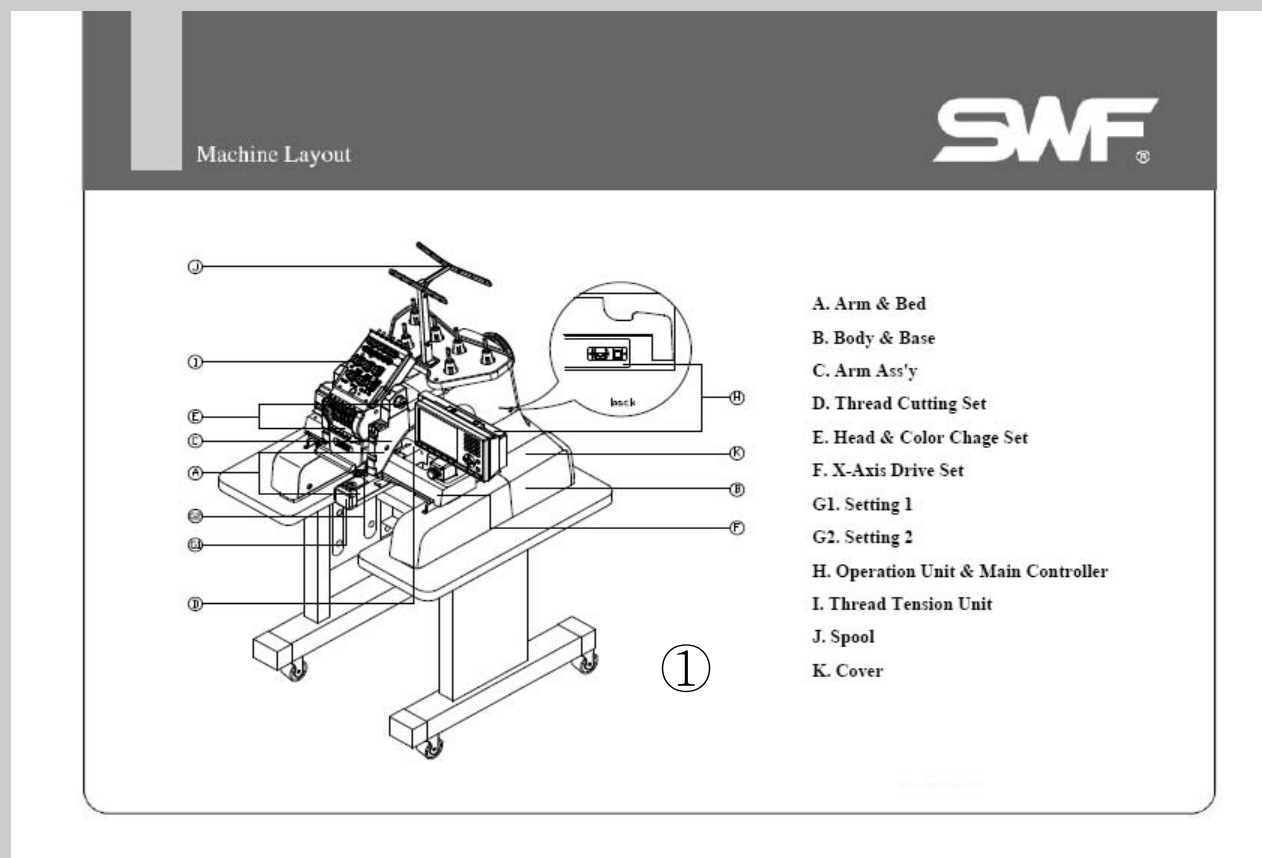
1. This is a parts book. It cannot be used as a manual.
2. The parts classified as ass'y items may cause damage to the machine or bad embroidery when they are separately assembled.
Hence, when they are ordered, they can be purchased as ass'y items only.
3. The Part Book is classified as below and users could search products in the following order.

- 1) Machine Layout
- 2) Section
- 3) Part List

※Consumable parts shall not be guaranteed even in warranty period

Information

A. Structure of Part Book 1. Machine Layout



Information

A. Structure of Part Book

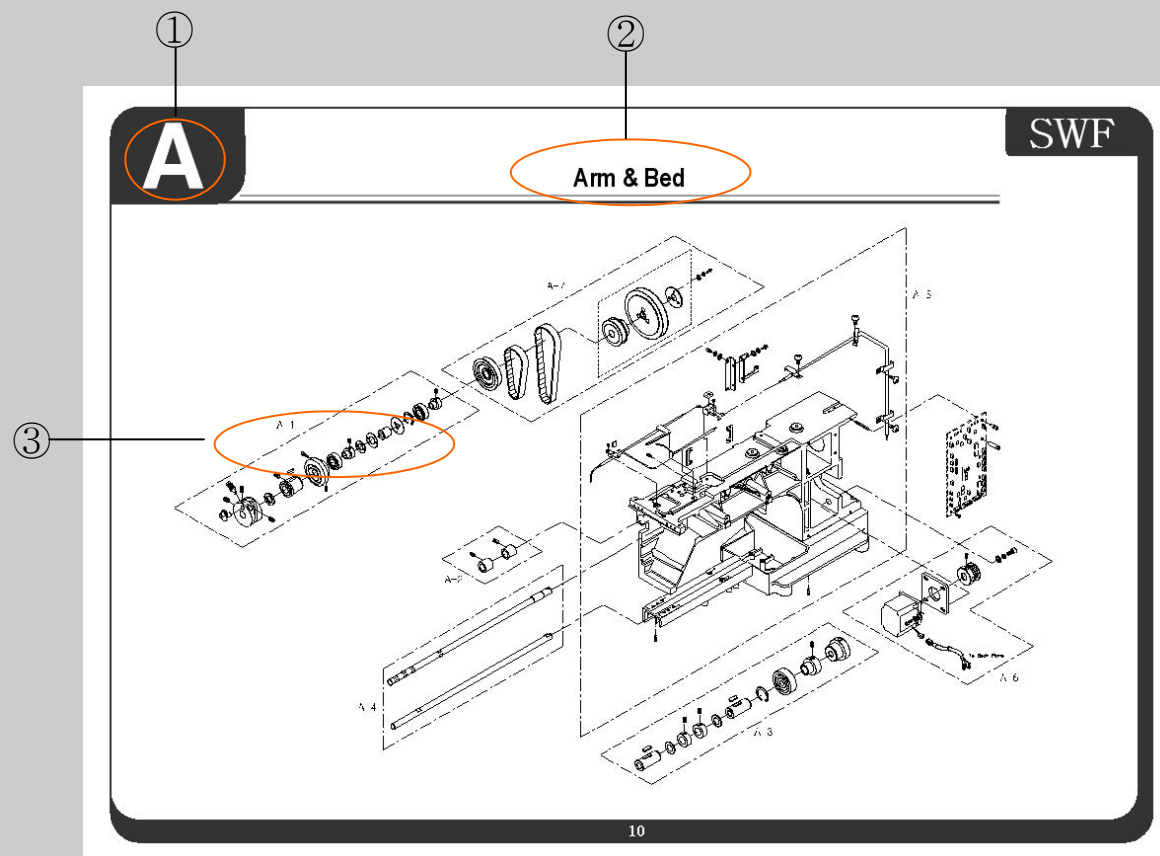
2. Section

① : Index Number

② : Index Group

③ : Related Parts

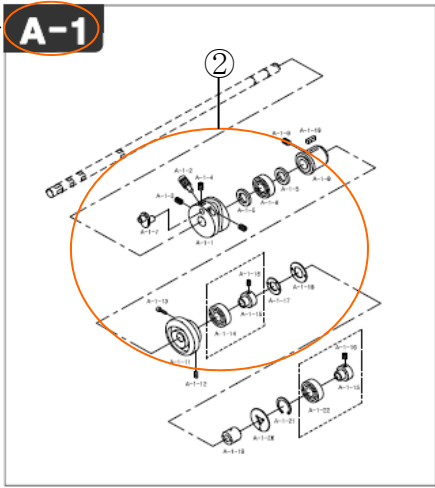
Ex) A-1, A-2, A-3...



Information

A. Structure of Part Book 3. Part List

① **A-1**



Note

③ Ref.No	④ Part No	⑤ Part Name	⑥ Applied Period	⑦ Interchangeable	⑧ Hardness	⑨ Qty	⑩ Remark
A-1-1	01018CM-T905	Twice-up Letter Drivinal Cam	~ Oct-08-07			1	
	09-033421-00	Twice-up Letter Drivinal Cam	Oct-08-07 ~	X		1	
A-1-2	01017CW-T121	Cam Screw (8/32x28L=17)				1	
A-1-3	010185C-4515	Screw (11/16x28 L=7.5)			0	1	
A-1-4	010185C-4515	Hex. Socket Set Screw (1/4" x20 L=4.5)				1	
A-1-5	01020RR-A001	Washer				2	
A-1-6	01020RR-A001	Washer				1	
A-1-7	01020RH-T905	Steele Bar Crank				1	
A-1-8	01012MP-T121	Upper Shaft Bushing (H)				1	
A-1-9	030045C-4517	Screw(11/16x28, L=14)			0	3	
A-1-10	01014SP-T121	Felt				1	
A-1-11	05073CM-C101	Presser Foot Drivinal Cam				1	
A-1-12	04012AP-A001	Screw(11/16x28)			0	3	
A-1-13	110985C-4113	Screw(M4xL20)			0	1	
A-1-14	01020RR-A001	Washer(600422)				1	
A-1-15	03009001000	Rearizer Collar				2	
A-1-16	04012AP-A001	Screw(11/16x28)			0	3	
A-1-17	WS-00018R-00	Washer			0	1	
A-1-18	CL-000097-00	Code Wheel				1	
A-1-19	09-018534-01	Collar				1	
A-1-20	09-018534-01	Resizing Plate				1	
A-1-21	030185R-4515	C-Rigid(1947)			0	1	
A-1-22	030185R-T121	Rearizer(600422)			0	1	

Note) * : Checks the timing of application.

① Index Number
Ex) A-1, A-2...

② Part View

Information

A. Structure of Part Book

③ Ref. No

④ Part No

Ex)

Category	CODE	Remark
Old part	16009SC-4113	
New part	AS -000000-00	Set parts (Set 구성품)
	GP -000000-00	Instrumental parts (기구적 파트)
	EP -000000-00	Electrical parts (전기적 파트)

⑤ Parts Name : 파트들의 고유 품명을 표기
: Refers to unique names of parts

⑥ Applied Period

Ex1) 2007년2월10일 적용, 2008년7월10일 폐기
-> Feb.10.07 ~ Jul.10.08

Ex1) Applied from Feb. 10, 2007, To on July 10, 2008
-> Feb.10.07 ~ Jul.10.08

Ex2) 2007년 2월 10일 부터 파트북 발행일 까지 적용
-> Feb.10.07 ~

Ex2) Applied from Feb. 10, 2007
-> Feb.10.07 ~

Information

A. Structure of Part Book

⑦ Interchangeability

O : 구 부품을 신 부품으로 교환 가능

신 부품을 구 부품으로 교환 가능

: It is interchangeable between old and new part.

X : 구 부품을 신 부품으로 교환 불가능

신 부품을 구 부품으로 교환 불가능

: It is not interchangeable between old and new part.

△ : 구 부품을 신 부품으로 교환 가능

신 부품을 구 부품으로 교환 불가능

: It is interchangeable by new part only.

Interchangeability		
O	X	△
Old -> New: OK	Old -> New: NO	Old -> New: OK
New -> Old : OK	New -> Old : No	New -> Old : No

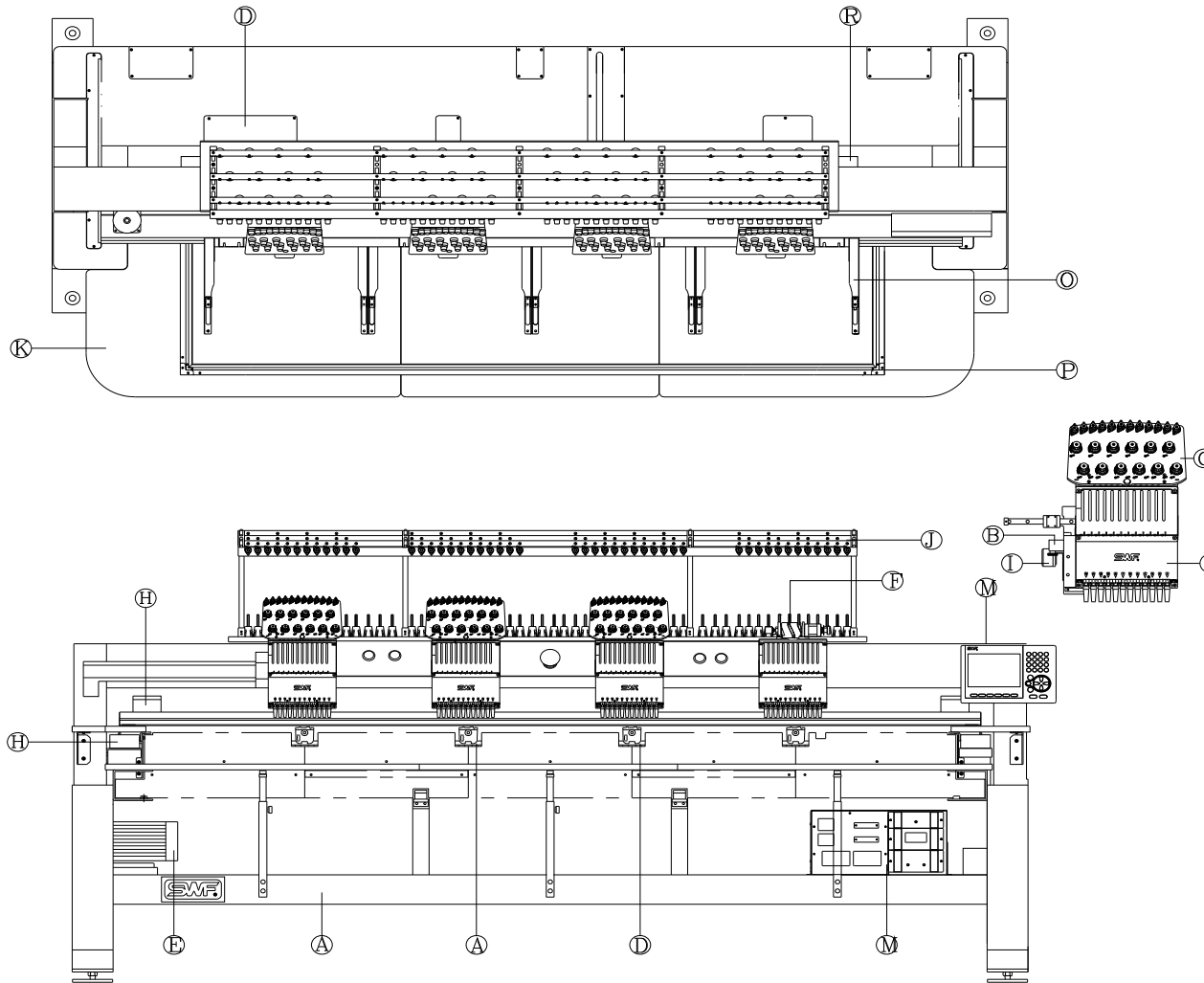
⑧ **Hardware** : 시중에서 구매 할 수 있는 부품
: Parts that can be purchased in the market

⑨ **Q'ty** : 사용 파트의 수량을 표기
: Quantity of part

⑩ **Remark**

⑪ **Index Number**

Machine Layout



- A. Beam Body & Bed
- B. Arm 1
- C. Arm 2
- D. Thread Cutting Set
- E. Main Drive Sytem
- F. Head & Color Change
- G. Thread Tension Unit
- H1. X-Y Drive Set(UK1204)
- H2. X-Y Drive Set(UK1206)
- H3. X-Y Drive Set(UH1506C)
- I. Setting
- J. Spool
- K1. TABLE (UK1204)
- K2. TABLE (UK1206)
- K3. TABLE (UH1506C)
- L. Cable
- M. Con Box & O/P Box
- N. Lamp & Switch
- O. Bobbin Winder
- P. Cover
- Q1. Tubular Frame
- Q2. Border Frame



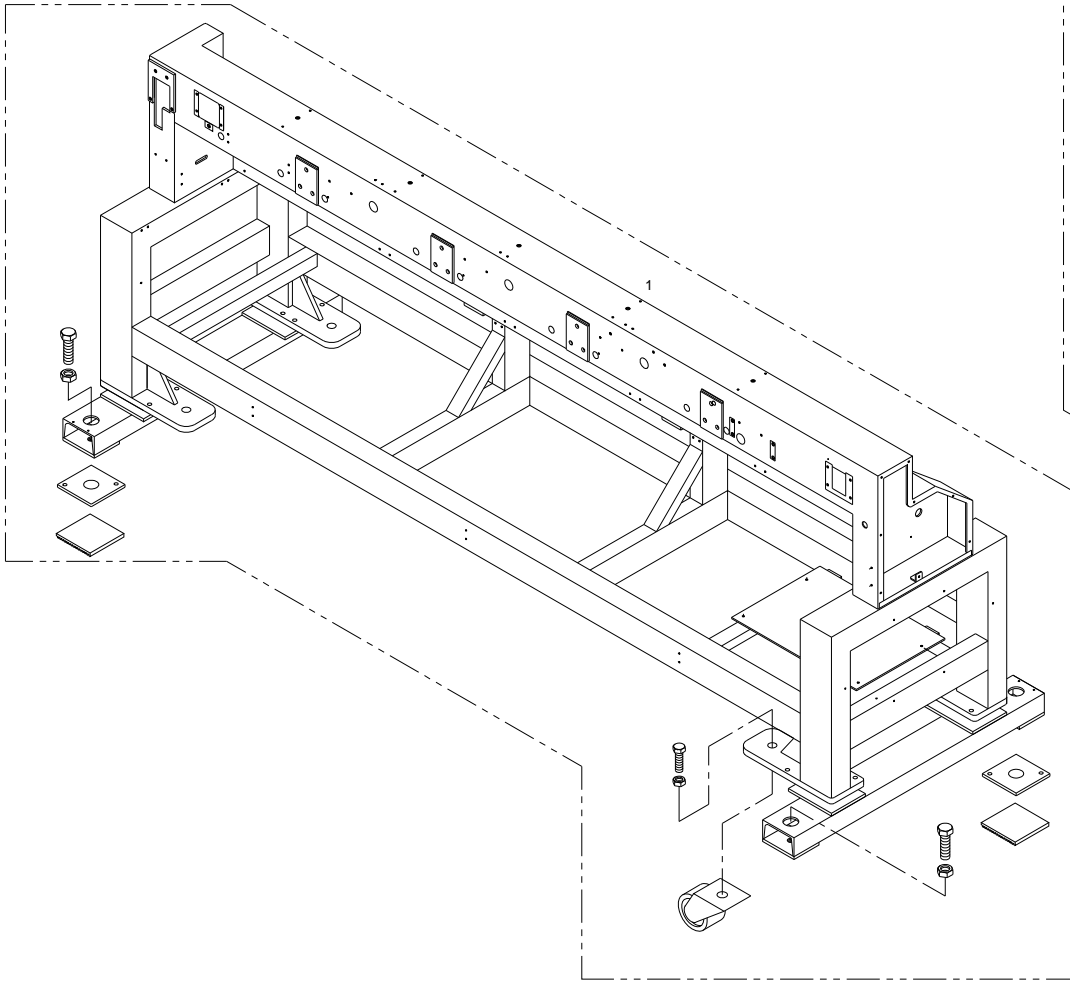
CONTENT

A	Beam Body & Bed	10
B	Arm 1	15
C	Arm 2	23
D	Thread Cutting Set	35
E	Main Drive System	43
F	Head & Color Change	51
G	Thread Tension Unit	62
H1	X-Y Drive (UK1204)	67
H2	X-Y Drive (UK1206)	79
H3	X-Y Drive (UH1506C)	93
I	Setting	105

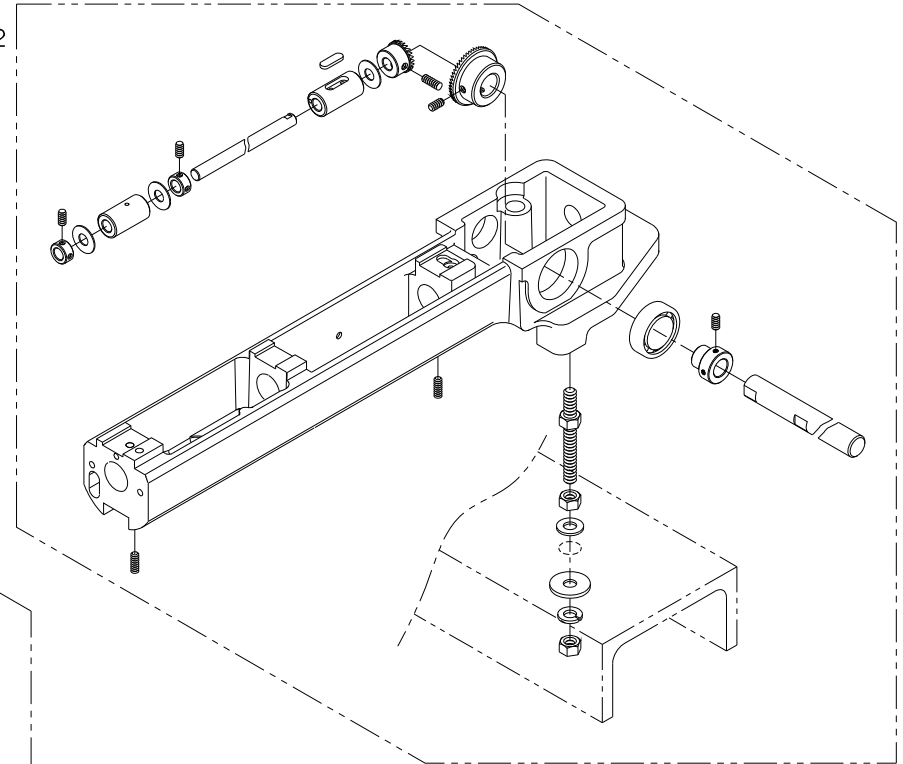
J	Spool	114
K1	Table (UK1204)	119
K2	Table (UK1206)	124
K3	Table (UK1506C)	129
L	Cable	135
M	Con Box & O/P Box	138
N	Lamp & Switch	145
O	Bobbin Winder	150
P	Cover	153
Q1	Tubular Frame	161
Q2	Border Frame	166

Beam Body & Bed

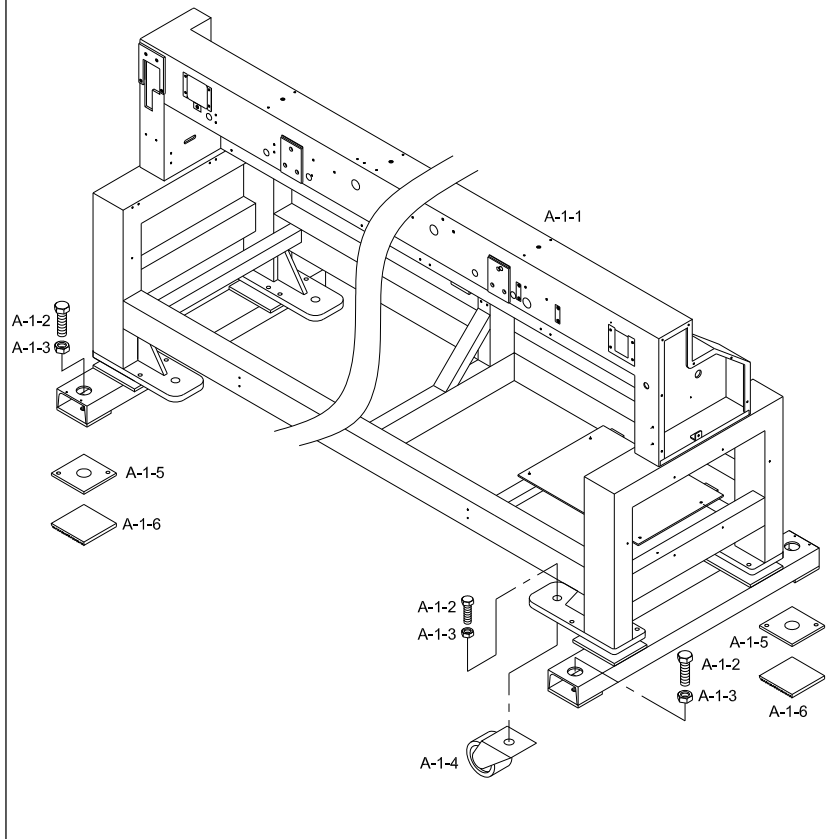
A-1



A-2



A-1

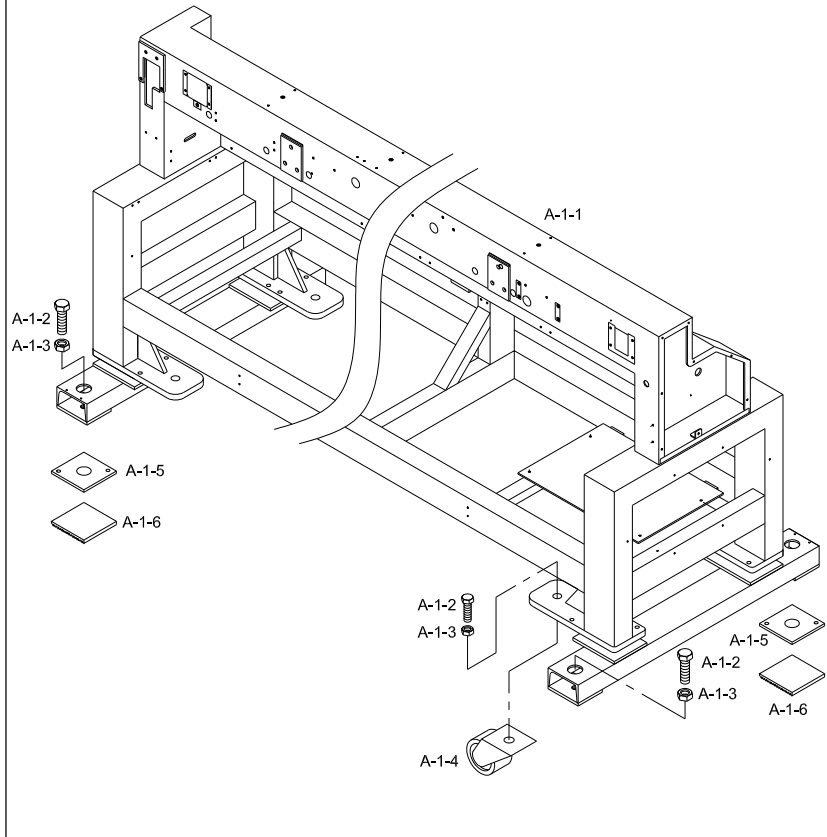


Note

Ref.No	PartNo.	PartName	Application date	Interchangeability	Hardware	Qty	Remarks
A-1-1	GP-044502-00	Beam & Body Ass'Y UK1204	~ 2009.01.05	X		1	
	GP-044502-01		2009.01.06 ~ 2009.03.04	△			
	GP-044502-02		2009.03.05 ~ 2009.06.28	△			
	GP-044502-03		2009.06.29 ~ 2009.07.15	△			
	GP-044502-04		2009.07.16 ~ 2009.09.16	△			
	GP-044502-05		2009.09.17 ~ 2011.04.19	△			
	GP-044502-06		2011.04.20 ~ 2011.07.05	△			
	GP-044502-07		2011.07.06 ~ 2011.08.30	△			
	GP-044502-08		2011.09.01 ~ 2011.10.07	△			
	GP-044502-09		2011.10.08 ~ 2011.11.14	△			
	GP-044502-10		2011.11.15 ~ 2012.01.03	△			
	GP-044502-11		2012.01.04 ~ 2012.05.20				
	GP-044502-12		2012.05.21 ~ 2012.09.06				
	GP-044502-13		2012.09.07 ~ 2012.09.27				
	GP-044502-14		2012.09.28 ~ 2013.05.12				
	GP-044502-15		2013.05.13 ~ 2017.06.28				
	GP-044502-16		2017.06.29 ~ 2017.12.28				
GP-044502-17	2017.12.29 ~ 2018.04.29						
GP-044502-18	2018.04.30 ~						
A-1-1	GP-044978-00	Beam & Body Ass'Y UK1206	~ 2009.03.04	X		1	
	GP-044978-01		2009.03.05 ~ 2009.06.28	△			
	GP-044978-02		2009.06.29 ~ 2009.07.15	△			
	GP-044978-03		2009.07.16 ~ 2009.09.16	△			
	GP-044978-04		2009.09.17 ~ 2011.04.19	△			
	GP-044978-05		2011.04.20 ~ 2011.07.05	△			
	GP-044978-06		2011.07.06 ~ 2011.08.30	△			
	GP-044978-07		2011.09.01 ~ 2011.11.13				
	GP-044978-08		2011.11.14 ~ 2012.03.08				
	GP-044978-09		2012.03.09 ~ 2012.05.20				
	GP-044978-10		2012.05.21 ~ 2013.05.12				
	GP-044978-11		2013.05.13 ~ 2014.07.22				
	GP-044978-12		2014.07.23 ~ 2016.03.21				
	GP-044978-13		2016.03.22 ~ 2017.06.27				
	GP-044978-14		2017.06.28 ~ 2018.04.16				
	GP-044978-15		2018.04.17 ~ 2018.04.29				
GP-044978-16	2018.04.30 ~						

A

A-1

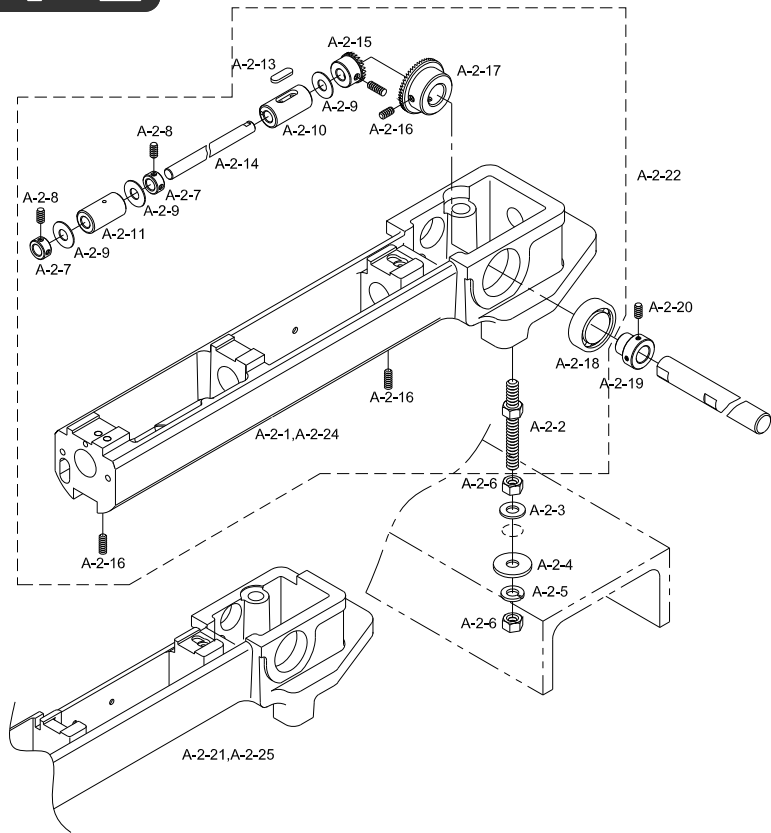


Ref.No	PartNo.	PartName	Application date	Interchangeability	Hardware	Qty	Remarks
A-1-1	GP-044078-00	Beam & Body UH1506C	~ 2008.11.26	X		1	
	GP-044078-01		2008.11.27 ~ 2009.01.04	△			
	GP-044078-02		2009.01.05 ~ 2009.03.04	△			
	GP-044078-03		2009.03.05 ~ 2009.06.28	△			
	GP-044078-04		2009.03.25 ~ 2009.06.21	△			
	GP-044078-05		2009.06.22 ~ 2009.06.28	△			
	GP-044078-06		2009.06.29 ~ 2009.07.15	△			
	GP-044078-07		2009.07.16 ~ 2009.09.16	△			
	GP-044078-08		2009.09.17 ~ 2011.04.19	△			
	GP-044078-09		2011.04.20 ~ 2011.07.05	△			
	GP-044078-10		2011.07.06 ~ 2011.08.30	△			
	GP-044078-11		2011.09.01 ~ 2011.11.14	△			
	GP-044078-12		2011.11.15 ~ 2012.03.08	△			
	GP-044078-13		2012.03.09 ~ 2012.05.20				
	GP-044078-14		2012.05.21 ~ 2012.09.03				
	GP-044078-15		2012.09.04 ~ 2012.09.11				
	GP-044078-16		2012.09.12 ~ 2012.09.27				
	GP-044078-17		2012.09.28 ~ 2013.05.12				
	GP-044078-18		2013.05.13 ~ 2017.06.28				
	GP-044078-19		2017.06.29 ~ 2017.12.28				
	GP-044078-20		2017.12.29 ~ 2018.04.08				
	GP-044078-21		2018.04.09 ~ 2018.04.23				
GP-044078-22	2018.04.24 ~						
A-1-2	SC-000337-00	Hex. Bolt (M20*L70)		X	O	4	
A-1-3	02036SN-1211	Hex. Nut (M20-No2)	~ 2012.08.05		O	4	
	PSN-AA005700		2012.08.06 ~		O		
A-1-4	CR-000001-00	HAMMER CASTER SET		X		4	
A-1-5	GP-010074-00	Leveling Base		X		4	
A-1-6	CST-FD002400	Rubber for Body Leveling Plate		X		4	

Note



A-2

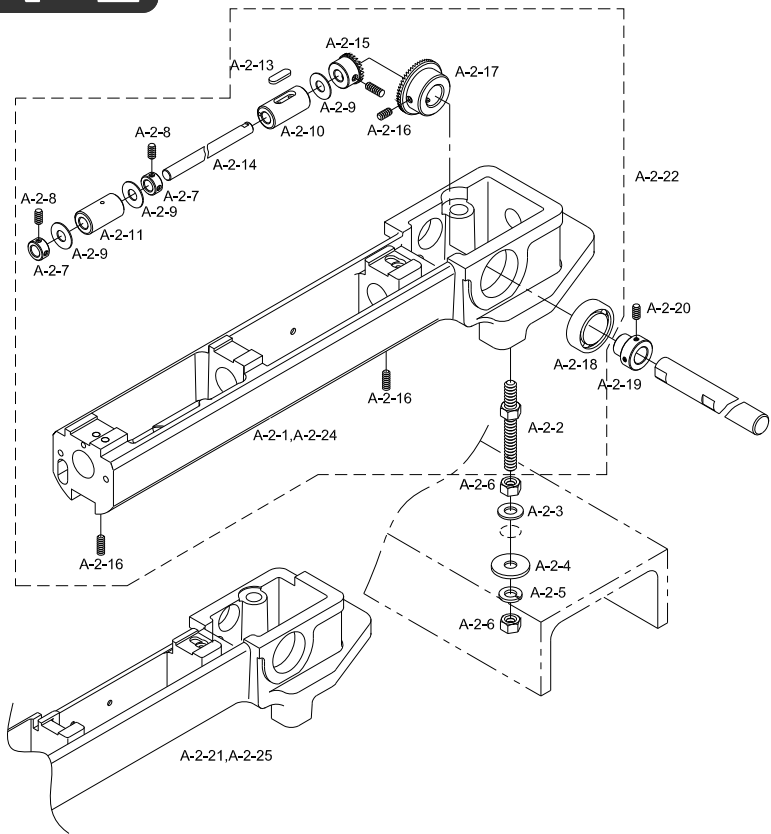


Note

Ref.No	PartNo.	PartName	Application date	Interchangeability	Hardware	Qty	Remarks
A-2-1	GP-044133-00	Bed "A"	~ 2010.12.09	X		3	
	GP-044133-01		2010.12.10 ~ 2012.03.26	△			
	LHB-AB000700		2012.03.27 ~ 2013.07.02				
	LHB-AB000701		2013.07.03 ~				
A-2-2	04028SC-UK01	STUD BOLT (M10*P1.25*L69)	~ 2011.04.27			12	
	DSC-FG003400		2011.04.28 ~				
A-2-3	04013PR-B001	WASHER (3.2T,@10)	~ 2011.04.27		O	4	
	DWS-AA023700		2011.04.28 ~		O		
A-2-4	04014PR-B001	WASHER (2T,@10)	~ 2011.04.27		O	4	
	DWS-AA023800		2011.04.28 ~		O		
A-2-5	01008SW-9115	SPRING WASHER(@10)	~ 2011.04.27		O	4	
	PWS-CA002900		2011.04.28 ~		O		
A-2-6	04032SN-UK01	HEX. NUT (M10*P1.25)	~ 2011.04.27		O	8	
	DSN-AA006900		2011.04.28 ~				
A-2-7	03707300A000	Solenoid Collar	~ 2011.12.26			8	
	DCL-AA014300		2011.12.27 ~				
A-2-8	08113SC-A001	Collar Screw	~ 2010.12.30		O	16	
	PSC-CB005000		2010.12.31 ~		O		
A-2-9	02004BR-T121	Hook Shaft Bearing Washer	~ 2009.09.28			12	
	DWS-AA007200		2009.09.29 ~				
A-2-10	GP-044135-00	Hook Shaft Rear Bushing	~ 2012.03.26	X		4	
	DBS-DA045600		2012.03.27 ~ 2016.03.07				
A-2-11	DBS-DA045601		2016.03.08 ~				
	BS-000096-00	Hook Shaft Front Bushing	~ 2012.03.26	X		4	
DBS-DA045700	2012.03.27 ~						
A-2-13	18039SF-UK01	Felt				4	
A-2-14	02100300U000	Hook Shaft	~ 2012.03.26			4	
	LHB-KC000300		2012.03.27 ~				
A-2-15	04019GA-UK01	Hook Shaft Gear	~ 2012.03.26			4	
	DGR-AD002300		2012.03.27 ~				
A-2-16	04012AF-A001	Hook Shaft Bush Screw	~ 2010.12.30			24	
	DSC-CB003200		2010.12.31 ~				
A-2-17	01101700U000	Low Shaft Gear	~ 2007.04.06			4	
	GP-025629-00		2007.04.07 ~ 2012.08.05				
	DGR-AD002400		2012.08.06 ~				
A-2-18	04017GA-UK01	Low Shaft Gear (UH1508)				8	
	04026BR-A001	Ball Bearing 6003Z	~ 2009.10.28		O	4	
PBR-AA004100	2009.10.29 ~			O			

A

A-2

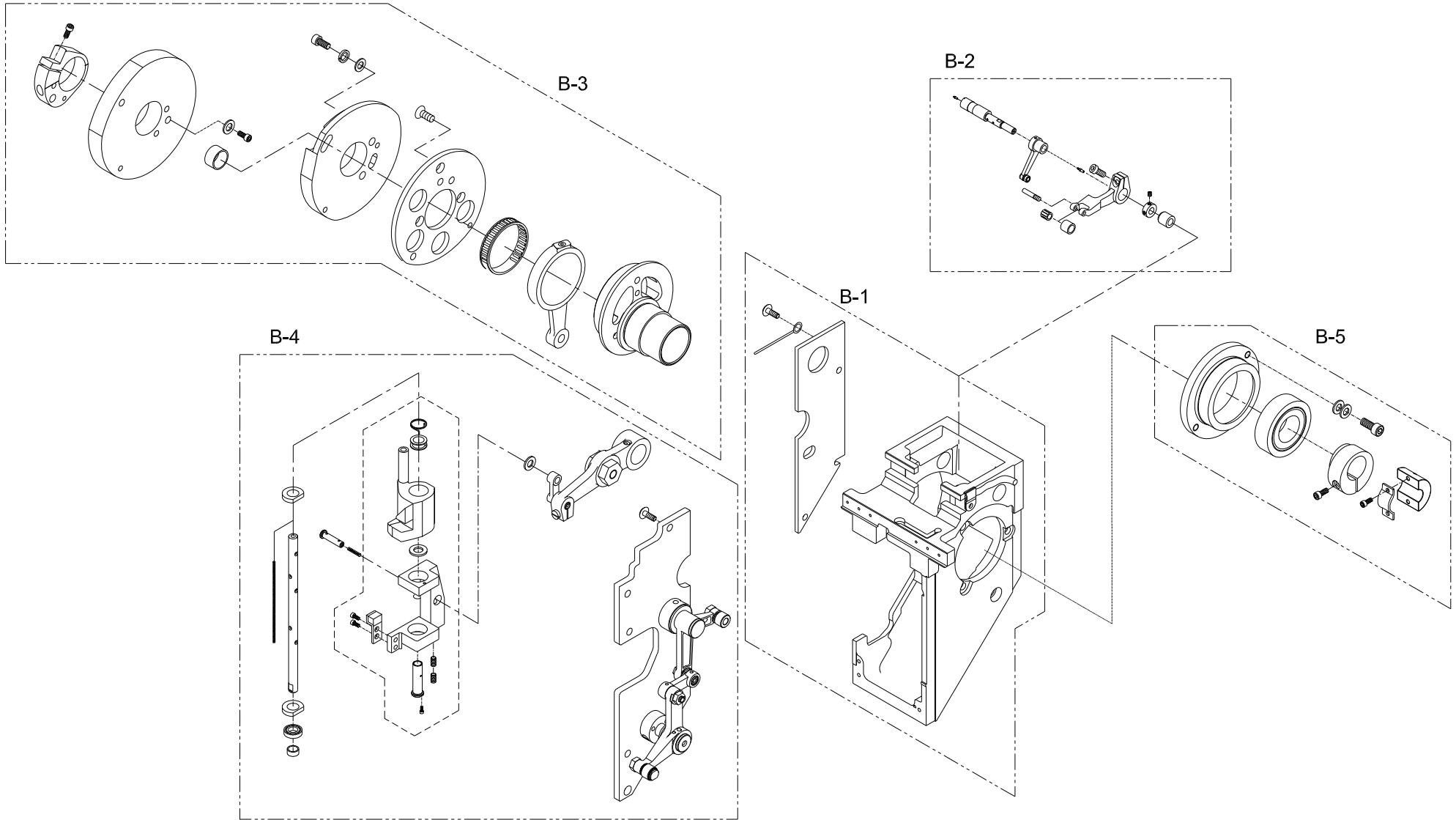


Note

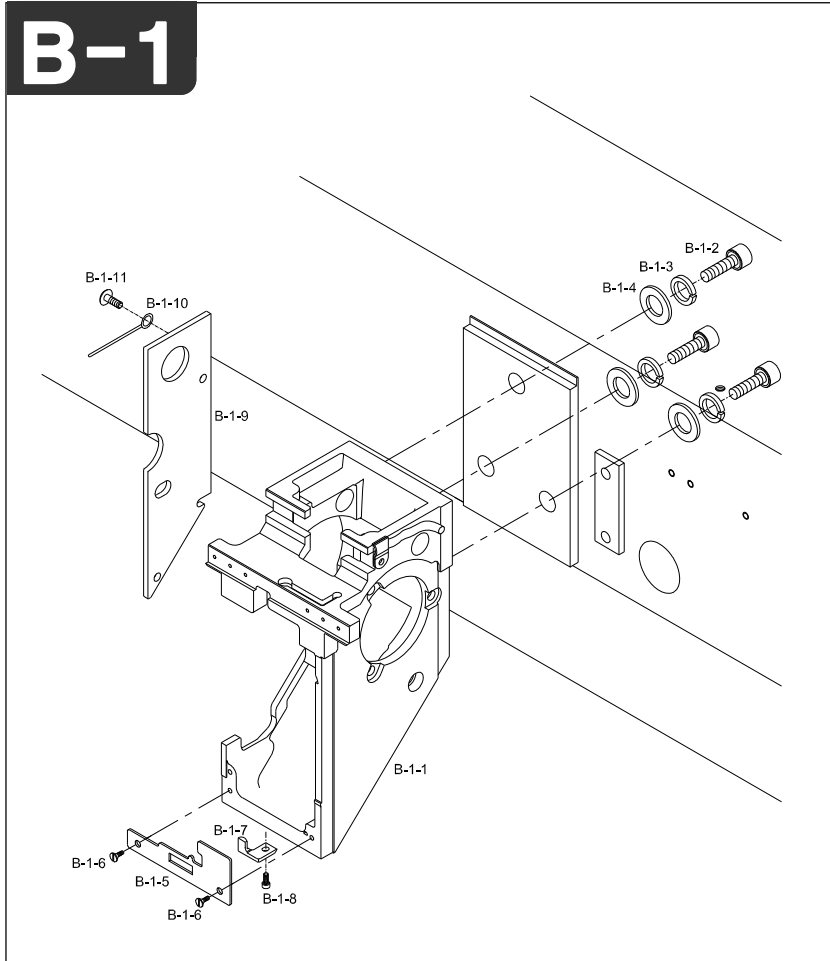
Ref.No	PartNo.	PartName	Application date	Interchangeability	Hardware	Qty	Remarks
A-2-19	BS-000105-00	Bearing Bushing	~ 2011.04.27			4	
	DCL-AB005400		2011.04.28 ~ 2011.11.22				
	DCL-AB005401		2011.11.23 ~ 2012.10.17				
	DCL-AB005402		2012.10.18 ~				
A-2-20	04016AF-A001	Cam Collar Screw	~ 2010.12.30		O	8	
	DSC-CB003300		2010.12.31 ~		O		
A-2-21	GP-044134-00	Bed	~ 2010.12.09	X		1	
	GP-044134-01		2010.12.10 ~ 2013.07.02	△			
	GP-044134-02		2013.07.03 ~				
A-2-22	AS-015249-00	Bed Assy (#1)	~ 2010.12.01	X		3	
	AS-015249-01		2010.12.02 ~ 2017.01.30				
	AS-015249-02		2017.02.01 ~				
A-2-23	AS-015250-00	Bed Assy (#2)	~ 2010.12.01	X		1	
	AS-015250-01		2010.12.02 ~ 2017.01.30				
A-2-24	GP-052402-00	Bed "A"	~ 2012.04.15			1	
	LHB-AB000700		2012.04.16 ~ 2012.11.10				
	LHB-AB000701		2012.12.11 ~				
A-2-25	GP-052401-00	Bed				1	

A

Arm 1



B-1

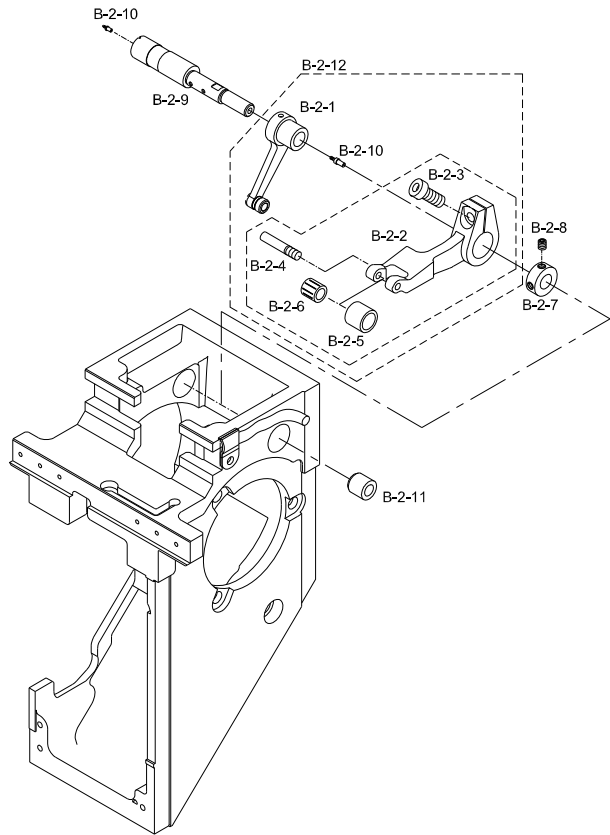


Note

Ref.No	PartNo.	PartName	Application date	Interchangeability	Hardware	Qty	Remarks
B-1-1	GP-044304-00	ARM	~ 2009.01.20	X		4	
	GP-044304-01		2009.01.21 ~ 2011.03.23	X			
	GP-052540-00		2011.03.24 ~ 2011.06.30				
	GP-052540-01		2011.07.01 ~ 2012.09.23				
	LAM-AA001200		2012.09.24 ~				
B-1-2	03003SC-4113	Hex. Socket Bolt	~ 2009.09.28			12	
	PSC-AC007700		2009.09.29 ~				
B-1-3	15095SW-3115	Spring Washer (@8)	~ 2010.05.27		O	12	
	PWS-CA002000		2010.05.28 ~		O		
B-1-4	04029SW-A001	Stud Bolt Washer(S) (@8)	~ 2009.10.28		O	12	
	DWS-AA009900		2009.10.29 ~		O		
B-1-5	03302600I000	Arm Bearing Guide Plate	~ 2011.02.24			4	
	LAM-BJ000100		2011.02.25 ~				
B-1-6	05062SC-A001	Bolt (9/64" n=40)	~ 2011.02.24			8	
	DSC-BC001500		2011.02.25 ~				
B-1-7	03056CL-B001	Head Rail Holder	~ 2011.02.24			4	
	LAM-BF000100		2011.02.25 ~				
B-1-8	03057SC-A001	Head Rail Holder Screw	~ 2009.09.28			4	
	DSC-AC001400		2009.09.29 ~				
B-1-9	GP-011912-00	ARM SIDE COVER B	~ 2007.01.08	X		4	
	GP-011912-01		2007.01.09 ~ 2018.01.16	△			
	LAM-LA000303		2018.01.17 ~				
B-1-10	03062ET-A001	Cable Fastener	~ 2011.02.24			8	
	PTC-AH000600		2011.02.25 ~				
B-1-11	02010SC-A001	SCREW (9/64,N40,L8)	~ 2011.02.24		O	8	
	PSC-BH001600		2011.02.25 ~		O		

B

B-2

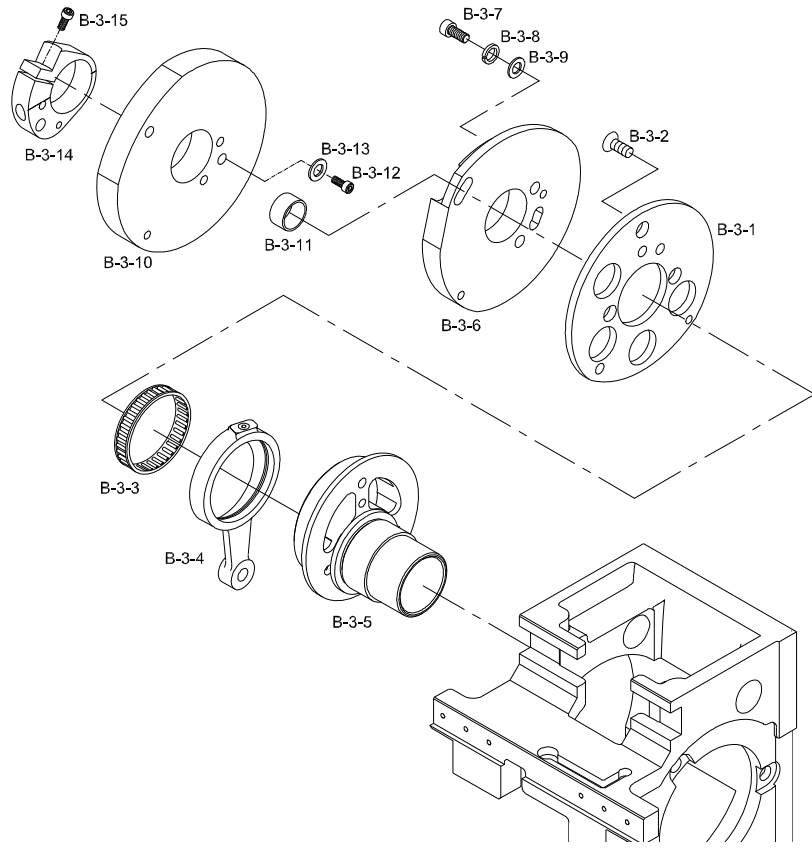


Note

Ref.No	PartNo.	PartName	Application date	Interchangeability	Hardware	Qty	Remarks
B-2-1	GP-011913-00	Take-Up Driving Lever "A"	~ 2011.02.13			4	
	GP-011913-01		2011.02.14 ~ 2011.02.24				
	LTH-CM000200		2011.02.25 ~ 2011.03.28				
	LTH-CM000201		2011.03.29 ~				
B-2-2	GP-011914-00	Take-Up Driving Lever "B"	~ 2011.02.24	X		4	
	LTH-CM000100		2011.02.25 ~				
B-2-3	07016SC-7113	Hex.Socket Bolt(M4*L12)	~ 2009.07.28		O	4	
	PSC-AC004900		2009.07.29 ~		O		
B-2-4	04019CW-T121	Pin Stud Screw	~ 2011.02.24			4	
	DSC-FF003200		2011.02.25 ~				
B-2-5	04020AF-T121	Roller for Take-Up Lever B	~ 2011.02.24			4	
	LTH-CL000100		2011.02.25 ~				
B-2-6	04021BR-T121	Needle Bearing (KT367N IKO)	~ 2011.02.24		O	4	
	PBR-BA004500		2011.02.25 ~		O		
B-2-7	03302100A000	Pin Collar	2011.02.24 ~			4	
	DCL-AA010400		2011.02.25 ~				
B-2-8	03022SC-4517	Hex.Socket Set Screw(M4*L5)	~ 2009.08.27		O	8	
	PSC-CB000600		2009.08.28 ~		O		
B-2-9	03301000B000	TAKE-UP LEVER PIN	~ 2012.01.03			4	
	PN-000844-00		2012.01.04 ~				
B-2-10	01301600H000	Hook Oil Supply Nipple	~ 2011.02.24			12	
	LLB-JP000200		2011.02.25 ~				
B-2-11	03301200A000	Bushing	~ 2011.02.24			4	
	DBS-DA033300		2011.02.25 ~				
B-2-12	038A0000I000	Take-Up Driving Lever A,B Assy	~ 2012.08.30			4	
	BAM-PS001500		2012.08.31 ~				

B

B-3

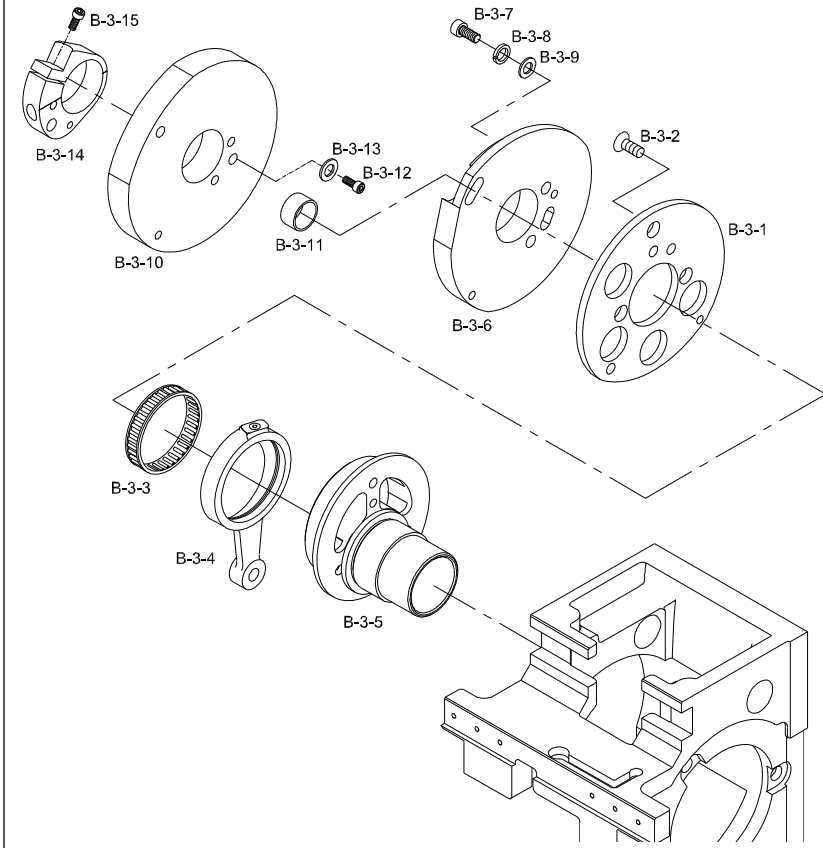


Note

Ref.No	PartNo.	PartName	Application date	Interchangeability	Hardware	Qty	Remarks
B-3-1	GP-011938-00	CAM BASE	~ 2008.05.27	X		4	
	GP-011938-01		2008.05.28 ~ 2010.12.21	△			
	LTH-BA000100		2010.12.21 ~ 2011.01.25				
	LTH-BA000101		2011.01.16 ~ 2012.06.03				
B-3-2	03007SC-A001	Cam Base Screw	~ 2011.02.24			12	
	DSC-BB005400		2011.02.25 ~				
B-3-3	03302900H000	NEEDLE CASE (KT-42469)	~ 2011.02.24			4	
	PBR-BF001000		2011.02.25 ~				
B-3-4	GP-031094-00	Needle Driving Shaft Connecting Rod	~ 2009.01.12	X		4	
	GP-031094-01		2009.01.13 ~ 2011.02.24	△			
	LNB-CC000100		2011.02.25 ~				
B-3-5	GP-011932-00	NEEDLE BAR DRIVING CAM	~ 2009.01.12	X		4	
	GP-011932-01		2009.01.13 ~ 2010.01.10	△			
	GP-011932-02		2010.01.11 ~ 2011.01.11				
	GP-011932-03		2010.01.11 ~ 2010.01.18				
	GP-011932-04		2010.01.19 ~ 2010.01.28				
	GP-011932-05		2010.01.29 ~ 2011.02.24				
	LNB-DC000100		2011.02.25 ~ 2012.04.01				
	CM-000032-00		2012.04.02 ~ 2012.08.30				
B-3-6	LAM-DC000200		2012.08.31 ~				
	GP-027906-00	Take-Up Lever Driving Cam	~ 2007.05.10	X		4	
	GP-027906-01		2007.05.11 ~ 2008.12.03	△			
	GP-027906-02		2008.12.04 ~ 2010.10.20	△			
	GP-027906-03		2010.10.21 ~ 2011.01.26	△			
	LTH-DG000300		2011.01.27 ~ 2011.01.30				
	LTH-DG000301		2011.01.30 ~ 2011.04.13				
	LTH-DG000302		2011.04.14 ~ 2012.04.26				
LTH-DG000303	2012.04.27 ~						
B-3-7	02023SC-7113	Hex. Socket Bolt (M4*L8)	~ 2009.07.28		O	8	
	PSC-AC004100		2009.07.29 ~		O		
B-3-8	18014SW-3115	Spring Washer (@4)	~ 2009.07.28		O	8	
	PWS-CA000900		2009.07.29 ~		O		
B-3-9	06003SW-2111	Washer (@4)	~ 2011.02.24		O	8	
	PWS-AA003900		2011.02.25 ~		O		
B-3-10	GP-027117-00	PRESSER FOOT DRIVING CAM	~ 2008.12.01	X		4	
	GP-027117-01		2008.12.02 ~ 2010.10.20	△			
	GP-027117-02		2010.10.21 ~ 2011.06.28				
	GP-027117-03		2011.06.29 ~				
B-3-11	GP-014939-00	Cam Spacer		X		4	

B

B-3

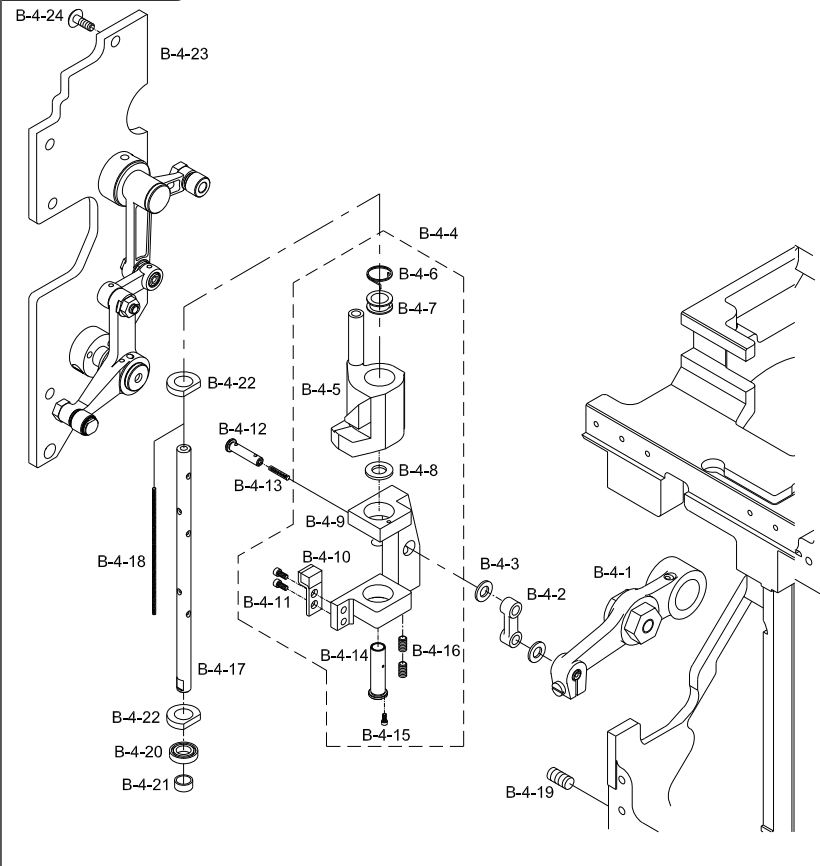


Note

Ref.No	PartNo.	PartName	Application date	Interchangeability	Hardware	Qty	Remarks
B-3-12	02004SC-4113	Screw (M4XL8)	~ 2009.06.02		O	12	
	PSC-AC001800		2009.06.03 ~		O		
B-3-13	WS-000082-00	Washer	~ 2011.03.28		O	12	
	DWS-AA021800		2011.03.29 ~		O		
B-3-14	GP-014783-00	Presser Foot Cam Boss	~ 2006.10.23	X		4	
	GP-014783-01		2006.10.24 ~ 2006.11.11	△			
	GP-014783-02		2006.11.12 ~ 2007.05.13	△			
	GP-014783-03		2007.05.14 ~ 2007.12.17	△			
	GP-014783-04		2007.12.18 ~ 2009.06.09	△			
	GP-014783-05		2009.06.10 ~ 2009.07.08	△			
	GP-014783-06		2009.07.09 ~ 2011.02.24				
	LPF-BS000100		2011.02.25 ~ 2011.02.25				
	LPF-BS000101		2011.02.25 ~				
	B-3-15		08113SC-A001	COLLAR SCREW 11/64,N=40,L6	~ 2010.12.30		
PSC-CB005000		2010.12.31 ~			O		

B

B-4

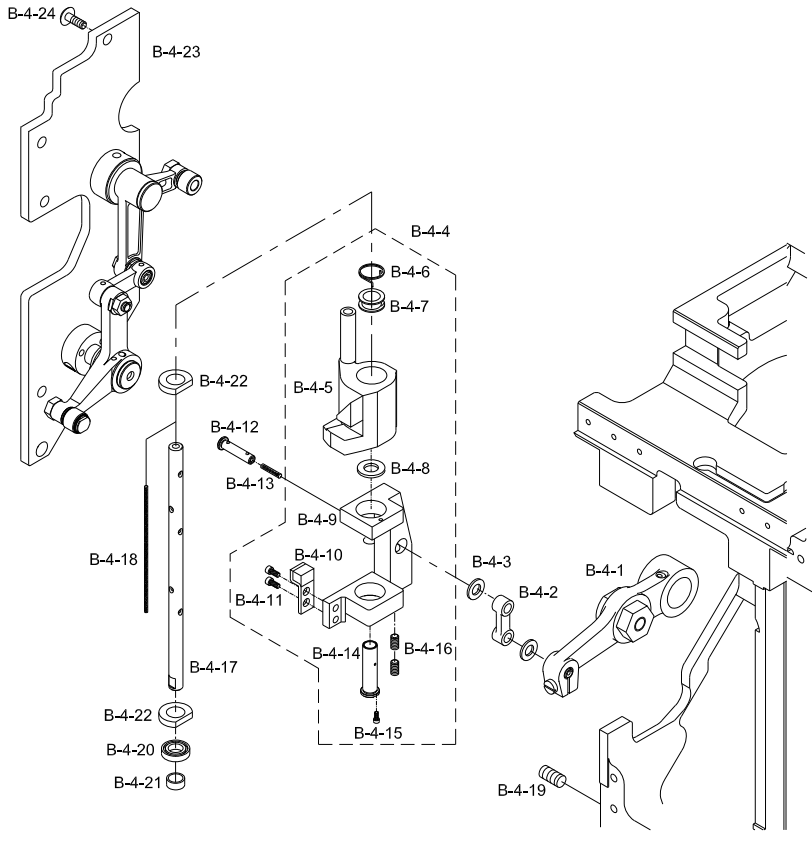


Note

Ref.No	PartNo.	PartName	Application date	Interchangeability	Hardware	Qty	Remarks
B-4-1	03313200I000	NEEDLE BAR DRIVE LEVER(SET)				4	
B-4-2	GP-044784-00	Needle Bar Drive Rink	~ 2011.02.24	X		4	
	LNB-CA000101		2011.02.25 ~				
B-4-3	03034SW-A001	Reciprocator Washer	~ 2011.02.24			4	
	DWS-AA019900		2011.02.25 ~				
B-4-4	AS-005278-00	Needle Bar Reciprocator A'ssy	~ 2008.04.21	X		4	
	AS-005278-01		2008.04.22 ~ 2008.08.21	△			
	AS-005278-02		2008.08.22 ~ 2018.01.01	△			
	AS-005278-03		2018.01.02 ~ 2018.01.28				
	AS-005278-04		2018.01.29 ~				
B-4-5	LNB-CW000100	Needle Bar Reciprocator				4	
B-4-6	03045SP-B001	Jump Spring	~ 2011.02.24			4	
	DSP-AC007800		2011.02.25 ~				
B-4-7	03046CW-B001	Jump Spring Guide	~ 2011.02.24			4	
	LNB-BN000100		2011.02.25 ~				
B-4-8	03048SW-A001	Reciprocator Washer	~ 2011.02.24			4	
	DWS-AA019700		2011.02.25 ~				
B-4-9	03600100I000	Needle Bar Driving Shaft Driver				4	
B-4-10	03047PM-CT01	Stopper-A'ssy	~ 2011.02.24			4	
	LNB-BB000100		2011.02.25 ~				
B-4-11	26006MC-8118	Stopper Screw (M2.6*L6)	~ 2011.02.24		O	8	
	PSC-BA001400		2011.02.25 ~		O		
B-4-12	03033CW-A001	Driver Pin	~ 2011.02.24			4	
	DPN-AA017800		2011.02.25 ~				
B-4-13	32003ET-T121	Wick	~ 2011.02.24			4	
	LLB-JD000100		2011.02.25 ~				
B-4-14	GP-012048-00	NEEDLE BAR DRIVING SHAFT BUSH		X		4	
B-4-15	09005SC-3123	Truss Screw (M3*L6)	~ 2009.10.28		O	4	
	DSC-BH000300		2009.10.29 ~				
B-4-16	03020SC-A001	Drive Pin Screw 11/64,N40,L8	~ 2010.12.30		O	4	
	PSC-CB004900		2010.12.31 ~		O		
B-4-17	GP-013117-00	Needle Bar Driving Shaft	~ 2011.03.28	X		4	
	LNB-KC000200		2011.03.29 ~				
B-4-18	32003ET-T121	Wick	~ 2011.02.24			4	
	LLB-JD000100		2011.02.25 ~				
B-4-19	03020SC-A001	Drive Pin Screw 11/64,N40,L8	~ 2010.12.30		O	4	
	PSC-CB004900		2010.12.31 ~		O		
B-4-20	03008000H000	Ball Bearing 6800	~ 2011.02.24		O	4	
	PBR-AA010000		2011.02.25 ~		O		

B

B-4

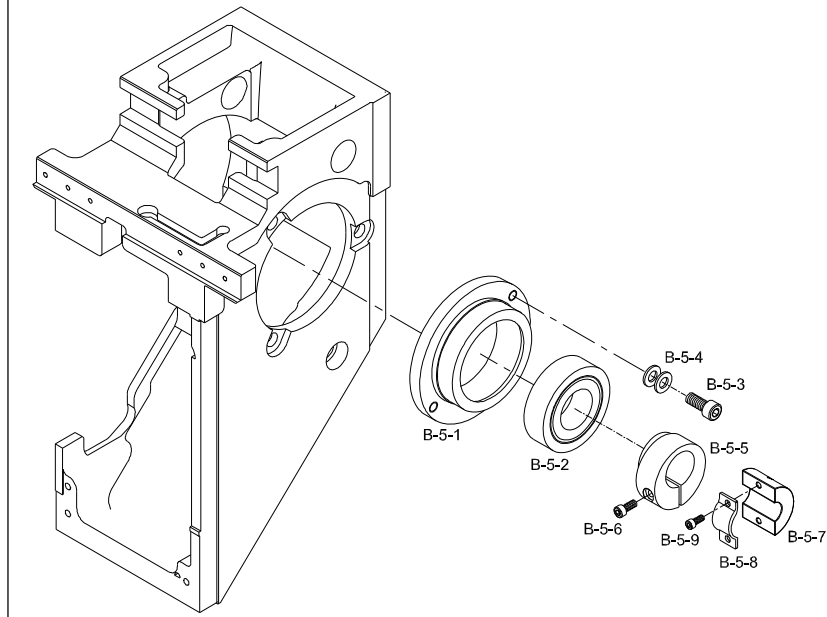


Note

Ref.No	PartNo.	PartName	Application date	Interchangeability	Hardware	Qty	Remarks
B-4-21	03008100K000	Needle Bar Drive Bearing Bush	~ 2011.02.24			4	
	DBS-AA001000		2011.02.25 ~				
B-4-22	03042SF-T121	FELT "A"	~ 2011.02.24			8	
	LLB-JL000200		2011.02.25 ~				
B-4-23	AS-002145-00	ARM SIDE COVER ASS'Y	~ 2005.05.12	X		4	
	AS-002145-01		2005.05.13 ~ 2005.09.01	△			
	AS-002145-02		2005.09.02 ~ 2006.08.21	△			
	AS-002145-03		2006.08.22 ~	△			
B-4-24	02010SC-A001	SCREW (9/64,N40,L8)	~ 2011.02.24		O	8	
	PSC-BH001600		2011.02.25 ~		O		

B

B-5

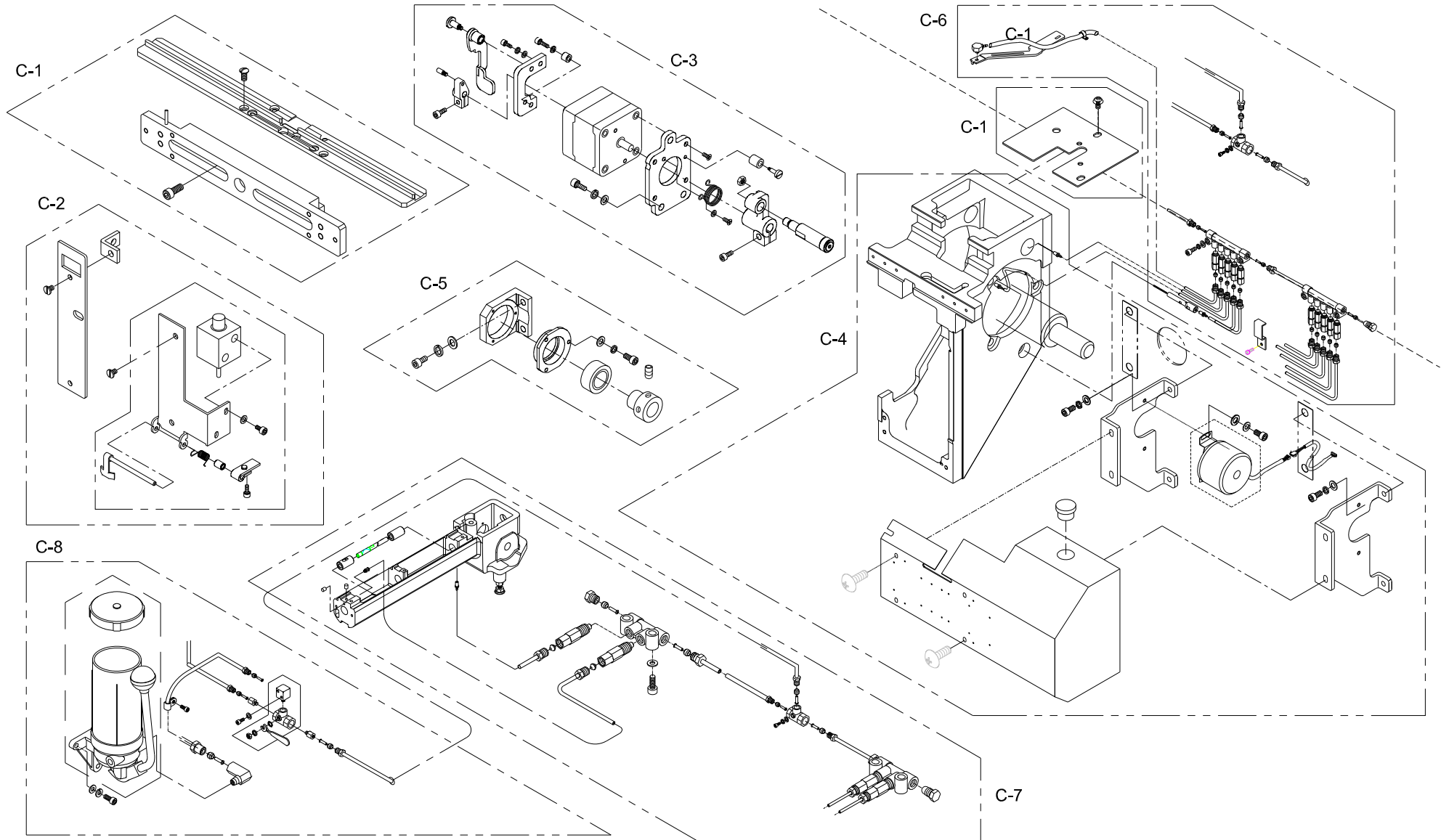


Note

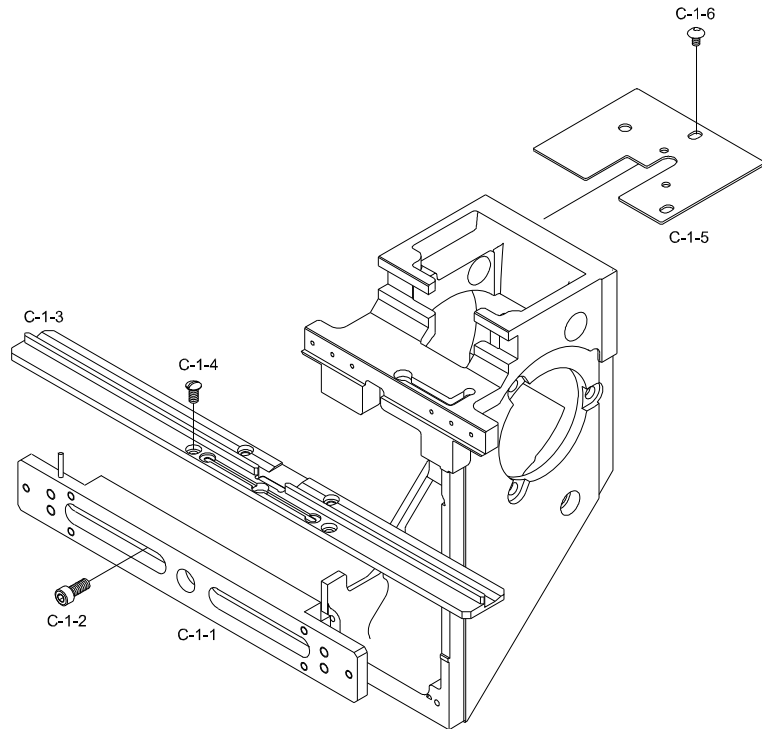
Ref.No	PartNo.	PartName	Application date	Interchangeability	Hardware	Qty	Remarks
B-5-1	03303100H000	Bearing Case A @20				4	
B-5-2	01001100H000	Ball Bearing (6005Zz)	~ 2010.12.30		O	4	
	PBR-AA009900		2010.12.31 ~		O		
B-5-3	02031SC-7113	Hex. Socket Screw(M5*L10)	~ 2009.12.29		O	4	
	PSC-AC004500		2009.12.30 ~		O		
B-5-4	02030SW-B001	Washer (5@)	~ 2010.12.30		O	24	
	DWS-AA019400		2010.12.31 ~		O		
B-5-5	03000110H000	Cam Tightening Collar (@20)	~ 2011.02.24			4	
	DCL-AF000200		2011.02.25 ~				
B-5-6	03016SC-4113	Hex. Socket Bolt (M5*L15)	~ 2010.12.30		O	4	
	PSC-AC017400		2010.12.31 ~		O		
B-5-7	03008700H000	Balance Cam	~ 2011.02.24			4	
	LMD-DB000100		2011.02.25 ~				
B-5-8	03008800H000	Balance Cam Bracket	~ 2011.02.24			4	
	LMD-BB000100		2011.02.25 ~				
B-5-9	18047SC-7113	Hex. Socket Bolt (M5*L15)	~ 2009.07.28		O	8	
	PSC-AC003900		2009.07.29 ~		O		

B

Arm 2



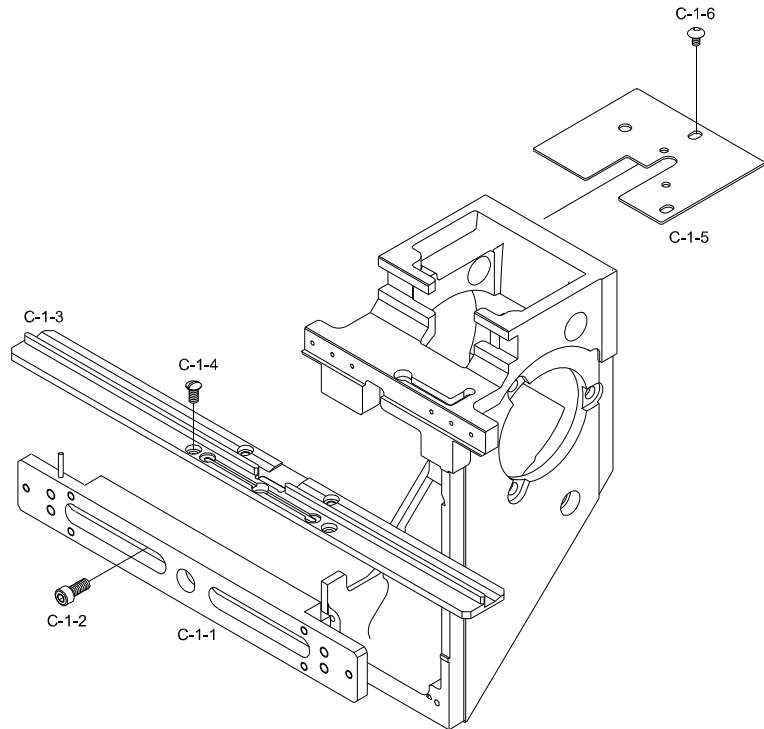
C-1



Note

Ref.No	PartNo.	PartName	Application date	Interchangeability	Hardware	Qty	Remarks
C-1-1	03070LM-BE00	Lm Guide Block Set (6C)	~ 2010.05.02			4	
	AS-017189-00		2010.05.03 ~ 2011.09.18				
	AS-017189-01		2011.09.19 ~ 2011.10.25				
	AS-017189-02		2011.10.26 ~ 2011.11.14				
	AS-017189-03		2011.11.15 ~ 2012.10.21				
	AS-017189-04		2012.10.22 ~ 2012.11.06				
	AS-017189-05		2012.11.07 ~ 2012.11.29				
	BHD-PS008200		2012.11.30 ~ 2017.08.24				
	BHD-PS008201		2017.08.25 ~ 2018.01.02				
	BHD-PS008202		2018.01.03 ~ 2018.08.06				
	BHD-PS008203	2018.08.07 ~					
	03069LM-B002	Lm Guide Block Set (9C)	~ 2011.02.24			4	
	BHD-PS000300		2011.02.25 ~				
	03068LM-BB00	Lm Guide Block Set (12C)	~ 2010.05.03			4	
	AS-017191-00		2010.05.03 ~ 2011.09.18				
	AS-017191-01		2011.09.19 ~ 2011.10.25				
	AS-017191-02		2011.10.26 ~ 2011.11.14				
	AS-017191-03		2011.11.15 ~ 2012.10.21				
	AS-017191-04		2012.10.22 ~ 2012.11.06				
	AS-017191-05		2012.11.07 ~ 2013.09.12				
	AS-017191-06		2013.09.13 ~ 2017.06.21				
	AS-017191-07		2017.06.22 ~ 2017.08.24				
	AS-017191-08		2017.08.25 ~ 2018.01.02				
	AS-017191-09	2018.01.03 ~ 2018.08.06					
	AS-017191-10	2018.08.07 ~					
	03068LM-H003	Lm Guide Block Set (15C)	~ 2010.05.03			4	
	AS-017192-00		2010.05.03 ~ 2011.09.18				
	AS-017192-01		2011.09.19 ~ 2011.10.25				
	AS-017192-02		2011.10.26 ~ 2011.11.14				
	AS-017192-03		2011.11.15 ~ 2012.10.21				
AS-017192-04	2012.10.22 ~ 2012.11.06						
AS-017192-05	2012.11.07 ~ 2013.09.12						
AS-017192-06	2013.09.13 ~ 2017.06.21						
AS-017192-07	2017.06.22 ~ 2017.08.24						
AS-017192-08	2017.08.25 ~ 2018.01.02						
AS-017192-09	2018.01.03 ~ 2018.08.06						
AS-017192-10	2018.08.07 ~						
C-1-2	03071SC-A001	Hex.Scoket Bolt (M3*L15)	~ 2010.09.29		O	4	
	DSC-BF015300		2010.09.30 ~		O		

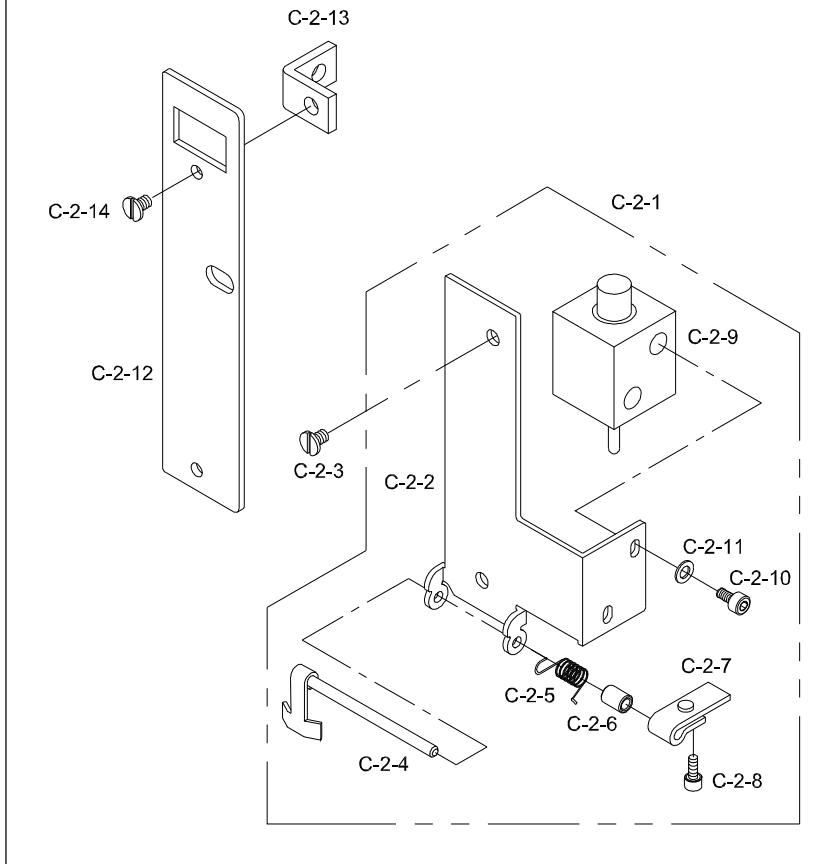
C-1



Note

Ref.No	PartNo.	PartName	Application date	Interchangeability	Hardware	Qty	Remarks
C-1-3	07027AD-AE00	TAKE-UP GUIDE RAIL (6C)	~ 2011.06.28			4	
	LTH-BP001000		2011.06.29 ~				
	07026AD-A002	Take-Up Guide Rail L=250 (9C)	~ 2011.02.24			4	
	LTH-BP000100		2011.02.25 ~				
	03300604U000	Take-Up Guide Rail L=329 (12C)	~ 2011.02.24			4	
	LTH-BP000600		2011.02.25 ~				
	01300105U000	Take-Up Guide Rail (L) (15C)	~ 2011.02.24			1	
	LTH-BP000300		2011.02.25 ~				
	01300205U000	Take-Up Guide Rail (M) (15C)	~ 2011.02.24			2	
	LTH-BP000400		2011.02.25 ~				
01400105U000	Take-Up Guide Rail (R) (15C)	~ 2011.02.24			1		
LTH-BP000500		2011.02.25 ~					
C-1-4	05041SC-A001	Guide Rail Screw	~ 2011.02.24		O	16	
	PSC-BH001500		2011.02.25 ~		O		
C-1-5	03302500I000	Arm Top Cover	~ 2010.12.19			4	
	LAM-LA000200		2010.12.20 ~				
C-1-6	18033SC-3123	Truss Screw (M5*L6)	~ 2011.01.30		O	4	
	PSC-BH002100		2011.01.31 ~				

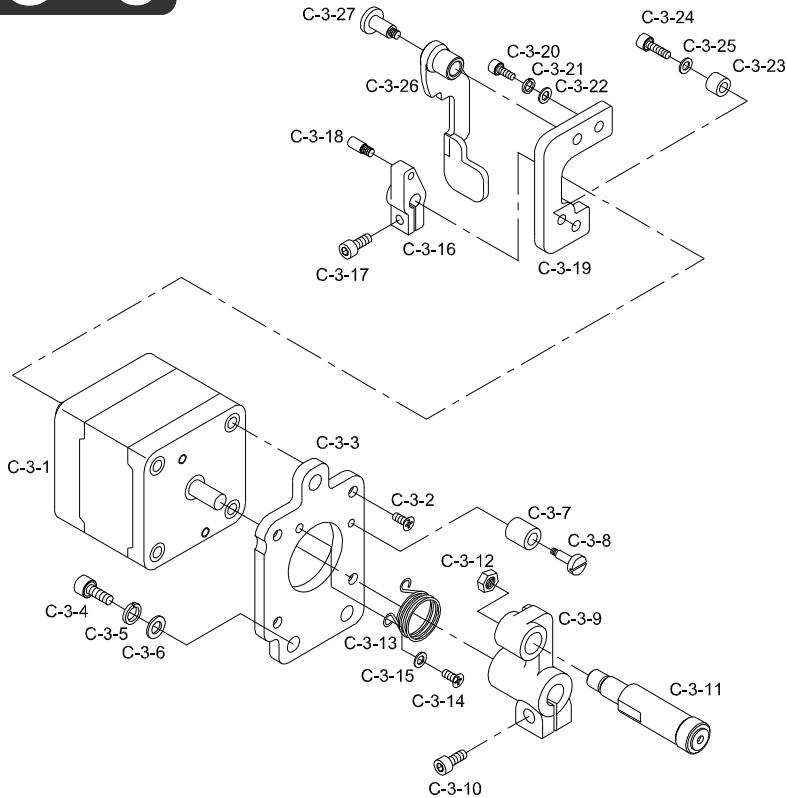
C-2



Note

Ref.No	PartNo.	PartName	Application date	Interchangeability	Hardware	Qty	Remarks
C-2-1	AS-008638-00	UPPER THREAD HOLDING SET	~ 2008.06.08	X		4	
	AS-008638-01		2008.06.09 ~ 2012.08.30	△			
	BAM-PS002500		2012.08.31 ~				
C-2-2	03303800I000	Arm Guard Plate(R)	~ 2011.02.24			4	
	LTP-BJ000100		2011.02.25 ~				
C-2-3	03065SC-A001	Guard Plate Screw	~ 2011.02.24			4	
	DSC-BF017000		2011.02.25 ~				
C-2-4	03304100I000	Thread Holding Lever Ass'y	~ 2011.02.24			4	
	LTP-CM000100		2011.02.25 ~ 2012.04.26				
	LTP-CM000101		2012.04.27 ~				
C-2-5	03304200I000	Lever Spring	~ 2011.02.24			4	
	DSP-AC007900		2011.02.25 ~				
C-2-6	03304300I000	Lever Spring Bush.	~ 2011.02.24			4	
	DBS-DA033100		2011.02.25 ~				
C-2-7	03304400I000	Thread Holding Push Plate	~ 2011.02.24			4	
	LTP-BJ000200		2011.02.25 ~				
C-2-8	07035SC-7113	Hex.Scket Bolt (M3*L6)	~ 2009.09.28		O	4	
	PSC-AC007500		2009.09.29 ~		O		
C-2-9	10009EL-A002	UPPER THREAD CATCHER SOL.				4	
C-2-10	05007SC-7113	Hex.Scket Bolt (M3*L5)	~ 2010.06.27		O	8	
	PSC-AC013500		2010.06.28 ~		O		
C-2-11	06011SW-2111	Washer (@3)	~ 2009.09.28		O	8	
	PWS-AA001900		2009.09.29 ~		O		
C-2-12	GP-009456-00	Arm Guard Plate(L)	~ 2011.02.07	X		4	
	LAM-BJ000600		2011.02.08 ~				
C-2-13	03008300I000	Arm Guard Plate(L) Bracket	~ 2011.02.24			8	
	LAM-BB000100		2011.02.25 ~ 2011.09.07				
	LAM-BB000101		2011.09.08 ~				
C-2-14	02009SC-A001	Side Cover Screw	~ 2010.12.30			4	
	DSC-BH000700		2010.12.31 ~				

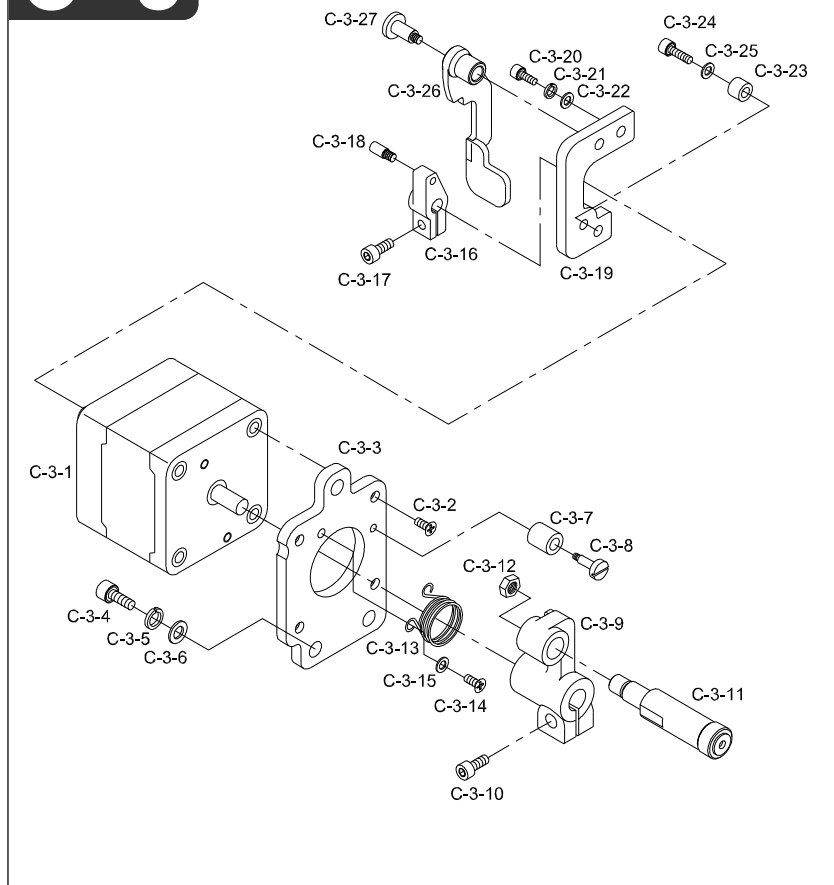
C-3



Note

Ref.No	PartNo.	PartName	Application date	Interchangeability	Hardware	Qty	Remarks
C-3-1	MO-000056-00	Jump Motor				4	
C-3-2	02002SC-7119	Plus Screw (M4*L8)	~ 2010.12.30		O	16	
	PSC-BB002100		2010.12.31 ~		O		
C-3-3	03410100I000	Jump Motor Base	~ 2011.02.24			4	
	LJP-BA000100		2011.02.25 ~ 2012.03.27				
C-3-4	07016SC-7113	Hex.Socket Bolt (M4*L10)	~ 2009.07.28		O	8	
	PSC-AC004900		2009.07.29 ~		O		
C-3-5	18014SW-3115	Spring Washer (@4)	~ 2009.07.28		O	8	
	PWS-CA000900		2009.07.29 ~				
C-3-6	06003SW-2111	Washer (@4)	~ 2011.02.24		O	8	
	PWS-AA003900		2011.02.25 ~		O		
C-3-7	03410300H000	Jump Crank Stopper	~ 2011.02.24			8	
	LJP-BN000100		2011.02.25 ~				
C-3-8	03411400H000	Stud for Jump Crank Stopper	~ 2011.02.24			4	
	DSC-FA022200		2011.02.25 ~				
C-3-9	LJP-CB000100	Jump Driving Crank				4	
C-3-10	02023SC-7113	Hex. Socket Bolt (M4*L8)	~ 2009.07.28		O	4	
	PSC-AC004100		2009.07.29 ~		O		
C-3-11	BJP-PS000700	Jump Crank Roller Ass'y				4	
C-3-12	03031SN-A001	Pin. Nut (11/64-N=40)	~ 2010.03.30		O	4	
	DSN-AA001600		2010.03.31 ~		O		
C-3-13	03410800I000	Jump Return Spring	~ 2011.02.24			4	
	DSP-AC008000		2011.02.25 ~				
C-3-14	08006SC-8118	Plus Screw (M3*L5)	~ 2010.12.30		O	4	
	PSC-BD001100		2010.12.31 ~		O		
C-3-15	06011SW-2111	Washer (@3)	~ 2009.09.28		O	4	
	PWS-AA001900		2009.09.29 ~		O		
C-3-16	03410900H000	Jump Driving Clutch	~ 2011.02.24			4	
	LJP-CV000100		2011.02.25 ~				
C-3-17	02023SC-7113	Hex. Socket Bolt (M4*L8)	~ 2009.07.28		O	4	
	PSC-AC004100		2009.07.29 ~		O		
C-3-18	03411000H000	Jump Clutch Pin	~ 2011.02.24			4	
	DSC-FF003800		2011.02.25 ~				
C-3-19	03411100I000	Jump Clutch Base	~ 2010.12.15			4	
	LJP-BA000200		2010.12.16 ~				
C-3-20	22006SC-7113	Hex.Socket Bolt (M3*L8)	~ 2009.07.28		O	4	
	PSC-AC002800		2009.07.29 ~		O		
C-3-21	11019SW-9115	Spring Washer (3@)	~ 2009.10.08		O	4	
	PWS-CA001800		2009.10.09 ~		O		

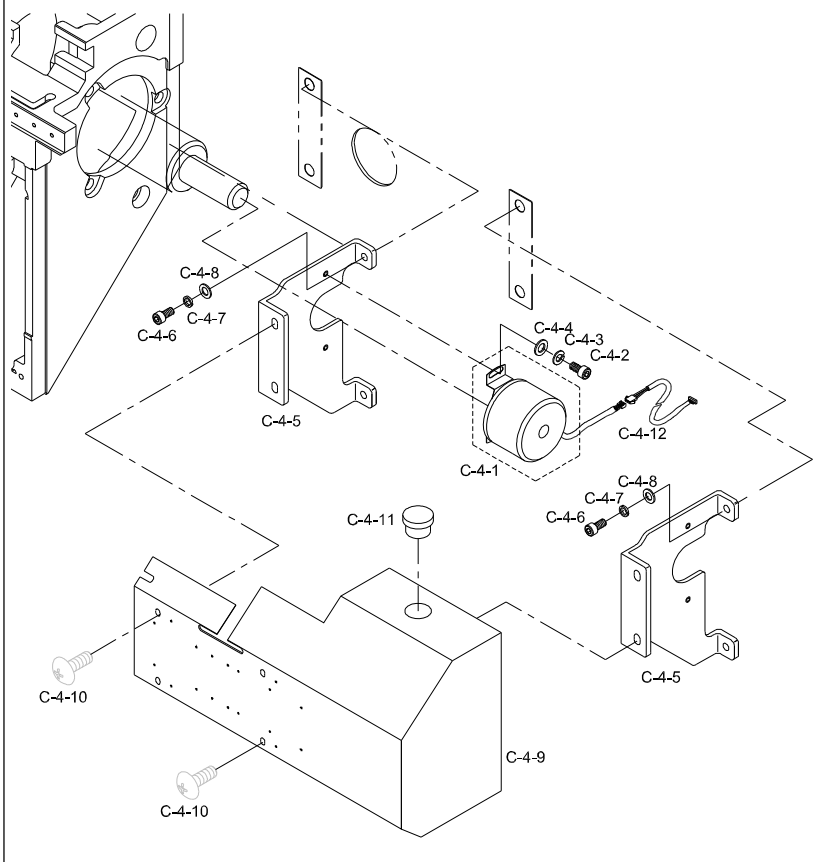
C-3



Note

Ref.No	PartNo.	PartName	Application date	Interchangeability	Hardware	Qty	Remarks
C-3-22	06011SW-2111	Washer (@3)	~ 2009.09.28		O	4	
	PWS-AA001900		2009.09.29 ~		O		
C-3-23	03304900H000	Jump Clutch Lever Stopper	~ 2011.02.24			4	
	LJP-BN000200		2011.02.25 ~				
C-3-24	04010MC-7113	Hex.Socket Bolt (M4*L10)	~ 2010.03.30		O	4	
	PSC-AC011900		2010.03.31 ~		O		
C-3-25	06011SW-2111	Washer (@3)	~ 2009.09.28		O	4	
	PWS-AA001900		2009.09.29 ~				
C-3-26	03411200I000	Jump Driving Clutch Lever	~ 2011.02.24			4	
	LJP-CM000100		2011.02.25 ~				
C-3-27	03411300H000	Stud for Jump Clutch Lever	~ 2011.02.24			4	
	DSC-GA001500		2011.02.25 ~				
C-3-28	BAM-PS002800	Jumping Assy				4	

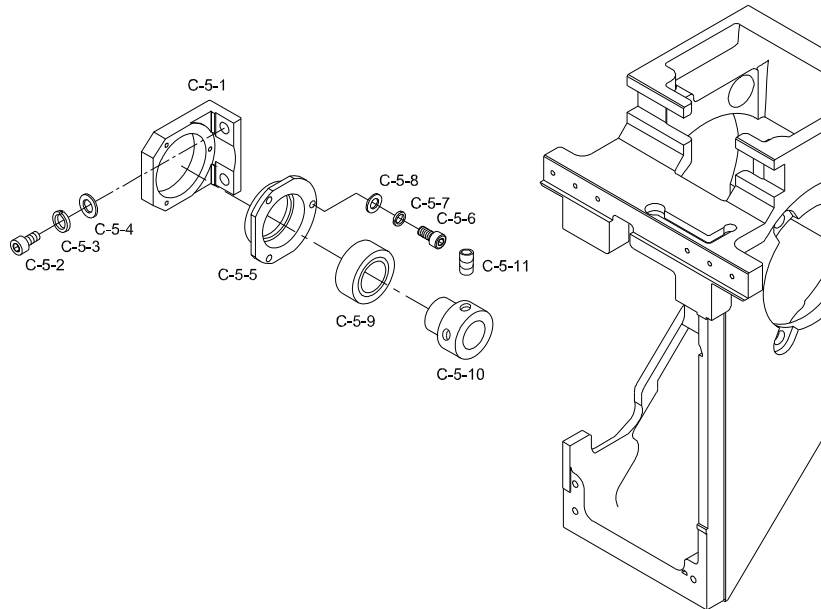
C-4



Note

Ref.No	PartNo.	PartName	Application date	Interchangeability	Hardware	Qty	Remarks
C-4-1	03013EL-T121	Encoder	~ 2011.06.06			1	
	EP-000537-00		2011.06.07 ~				
C-4-2	06011SW-2111	Hex. Socket Bolt(M3xL6)	~ 2009.09.28		O	2	
	PWS-AA001900		2009.09.29 ~		O		
C-4-3	08011SW-1111	Spring Washer(@3)	~ 2011.04.27		O	2	
	PWS-CA002800		2011.04.28 ~		O		
C-4-4	07035SC-7113	Washer(@3)	~ 2009.09.28		O	2	
	PSC-AC007500		2009.09.29 ~		O		
C-4-5	GP-047480-00	Encoder Base	~ 2009.11.03	X		2	
	GP-047480-01		2009.11.04 ~ 2009.11.18	△			
	GP-047480-02		2009.11.19 ~				
C-4-6	08076SC-7113	Hex. Socket Bolt(M5xL15)	~ 2011.04.27		O	4	
	PSC-AC018600		2011.04.28 ~		O		
C-4-7	16018SW-1111	Spring Washer(@5)	~ 2011.04.27		O	4	
	PWS-AA004600		2011.04.28 ~		O		
C-4-8	18048SW-3115	Washer(@5)	~ 2009.07.28		O	4	
	PWS-CA000800		2009.07.29 ~		O		
C-4-9	GP-044704-00	Color Change Board Base	~ 2009.01.07	X		1	
	GP-044704-01		2009.01.08 ~ 2009.05.14	△			
	GP-044704-02		2009.05.15 ~ 2010.03.25	△			
	GP-044704-03		2010.03.26 ~ 2017.12.13				
	GP-044704-04		2017.12.14 ~ 2017.12.21				
C-4-10	02010SC-3123	Truss Screw (M4*L8)	~ 2010.05.27		O	4	
	PSC-BH001100		2010.05.28 ~		O		
C-4-11	01303800U000	Cover Rubber Cap				1	
C-4-12	25103ET-B001	Encoder Connector				1	

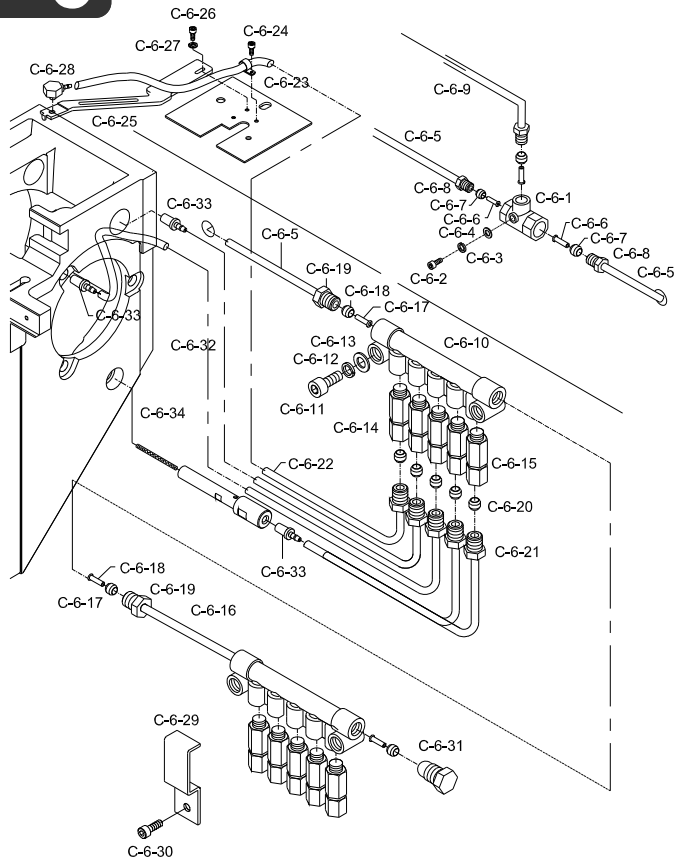
C-5



Note

Ref.No	PartNo.	PartName	Application date	Interchangeability	Hardware	Qty	Remarks
C-5-1	03008400H000	Top Shaft Bracket "C"	~ 2010.10.05			1	
	GP-050887-00		2010.10.06 ~				
C-5-2	08087SC-7113	Hex. Socket Bolt (M8*L25)	~ 2009.10.28		O	2	
	PSC-AC008300		2009.10.29 ~		O		
C-5-3	15095SW-3115	Spring Washer (@8)	~ 2010.05.27		O	2	
	PWS-CA002000		2010.05.28 ~		O		
C-5-4	04029SW-A001	Stud Bolt Washer(S) (@8)	~ 2009.10.28		O	2	
	DWS-AA009900		2009.10.29 ~		O		
C-5-5	03008500H000	Top Shaft Bearing Case "B"	~ 2009.05.06			1	
	GP-044593-00		2009.05.07 ~				
C-5-6	03016SC-4113	Hex. Socket Bolt (M5*L15)	~ 2010.12.30		O	3	
	PSC-AC017400		2010.12.31 ~		O		
C-5-7	18048SW-3115	Spring Washer (5@)	~ 2009.07.28		O	3	
	PWS-CA000800		2009.07.29 ~		O		
C-5-8	18049SW-3111	Washer (@5)	~ 2009.07.28		O	3	
	PWS-AA001500		2009.07.29 ~		O		
C-5-9	01001100H000	Ball Bearing (6005Zz)	~ 2010.12.30		O	1	
	PBR-AA009900		2010.12.31 ~		O		
C-5-10	03005210H000	Collar "A"	~ 2010.04.28			1	
	GP-043996-00		2010.04.29 ~ 2011.01.30				
C-5-11	14060AF-4517	Hex.Socket Screw (M6*L6)	~ 2010.12.30		O	2	
	PSC-CB004800		2010.12.31 ~				

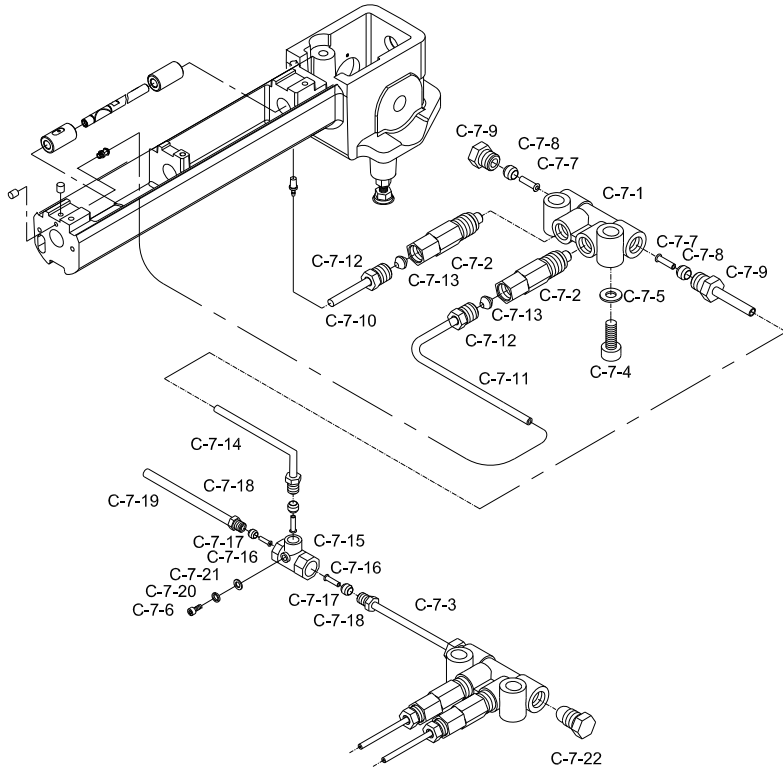
C-6



Note

Ref.No	PartNo.	PartName	Application date	Interchangeability	Hardware	Qty	Remarks
C-6-1	01303900H000	Oil Distribution Junction				2	
C-6-2	14046SC-7113	Hex.Socket Bolt (M6*L30)	~ 2011.12.26		O	1	
	PSC-AC023500		2011.12.27 ~		O		
C-6-3	03026SW-9115	Spring Washer (@6)	~ 2010.12.30		O	1	
	PWS-CA002700		2010.12.31 ~		O		
C-6-4	03025SW-1211	Washer (@6)	~ 2009.10.28		O	1	
	DWS-AA008400		2009.10.29 ~		O		
C-6-5	01303800H000	Hose				2	
C-6-6	01300300H000	Oil Pump Hose Insert				3	
C-6-7	01300400H000	Oil Pump Compression Sleeve				3	
C-6-8	01300500H000	Oil Pump Compression Bushing				3	
C-6-9	01302400H000	Stop Valve Adapter Hose (@4)				1	
C-6-10	01302700U000	Mos Metering Valve Junction				20	
C-6-11	14046SC-7113	Hex.Socket Bolt (M6*L30)	~ 2011.12.26		O	40	
	PSC-AC023500		2011.12.27 ~		O		
C-6-12	03026SW-9115	Spring Washer (@6)	~ 2010.12.30		O	3	
	PWS-CA002700		2010.12.31 ~		O		
C-6-13	03025SW-1211	Washer (@6)	~ 2009.10.28		O	40	
	DWS-AA008400		2009.10.29 ~				
C-6-14	01300900H000	Mos Metering Valve				20	
C-6-15	01302000H000	Mos Metering Valve (Mos-1)				120	
C-6-16	01302800HD00	Mos Valve Junction Hose @4				18	
C-6-17	01300300H000	Oil Pump Hose Insert				44	
C-6-18	01300400H000	Oil Pump Compression Sleeve				44	
C-6-19	01300500H000	Oil Pump Compression Bushing				44	
C-6-20	01301300H000	Bed Oil Compression Sleeve				80	
C-6-21	01301400H000	Bed Oil Compression Bushing				80	
C-6-22	01302900H000	Needle Bar Supply Hose				20	
C-6-23	01303600H000	Needle Bar Oil Hose Holder				20	
C-6-24	05007SC-7113	Hex. Socket Bolt (M3*L5)	~ 2010.06.27		O	20	
	PSC-AC013500		2010.06.28 ~		O		
C-6-25	GP-029277-00	Head Oil Hose Guide	~ 2007.07.23		X	20	
	GP-029277-01		2007.07.24 ~ 2007.10.24		△		
	GP-029277-02		2007.10.25 ~		△		
C-6-26	05007SC-7113	Hex. Socket Bolt (M3*L5)	~ 2010.06.27		O	40	
	PSC-AC013500		2010.06.28 ~		O		
C-6-27	06011SW-2111	Washer (@3)	~ 2009.09.28		O	40	
	PWS-AA001900		2009.09.29 ~		O		
C-6-28	01303110H000	Elbow Tube End (E*0.3*2.4)				20	

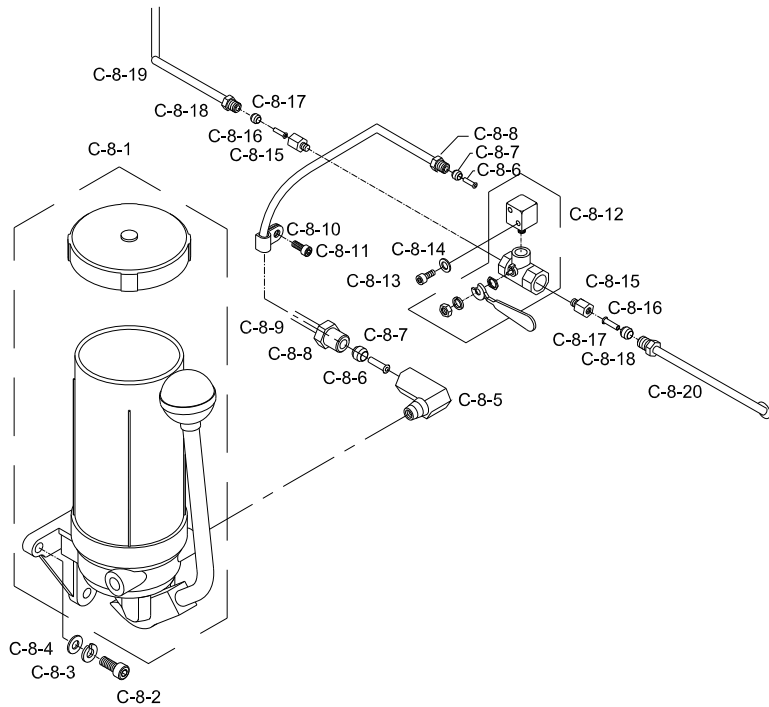
C-7



Note

Ref.No	PartNo.	PartName	Application date	Interchangeability	Hardware	Qty	Remarks
C-7-1	01302700H000	Mos Metering Valve Junction				40	
C-7-2	01300900H000	Mos Metering Valve				20	
C-7-3	01301000H000	Valve Junction Connect Hose				9	
C-7-4	03016SC-4113	Hex. Socket Bolt (M5*L15)	~ 2010.12.30		O	20	
	PSC-AC017400		2010.12.31 ~		O		
C-7-5	18049SW-3111	Washer (@5)	~ 2009.07.28		O	20	
	PWS-AA001500		2009.07.29 ~		O		
C-7-6	05045MC-7113	HEX.SOCKET BOLT (M5*L45)	~ 2011.10.24		O	1	
	PSC-AC023200		2011.10.25 ~		O		
C-7-7	01300300H000	Oil Pump Hose Insert				20	
C-7-8	01300400H000	Oil Pump Compression Sleeve				20	
C-7-9	01300500H000	Oil Pump Compression Bushing				20	
C-7-10	01301100H000	Bed Oil Supply Hose "A"				40	
C-7-11	01301200H000	Bed Oil Supply Hose "B"				40	
C-7-12	01301400H000	Bed Oil Compression Bushing				20	
C-7-13	01302600H000	Stop Valve Adapter				20	
C-7-14	01302400H000	Stop Valve Adapter Hose (@4)				1	
C-7-15	01303900H000	Oil Distribution Junction				2	
C-7-16	01300300H000	Oil Pump Hose Insert				3	
C-7-17	01300400H000	Oil Pump Compression Sleeve				3	
C-7-18	01300500H000	Oil Pump Compression Bushing				3	
C-7-19	01303800H000	Hose				2	
C-7-20	18048SW-3115	SPRING WASHER (@5)	~ 2009.07.28		O	1	
	PWS-CA000800		2009.07.29 ~		O		
C-7-21	16018SW-1111	WASHER (@5)	~ 2011.04.27		O	1	
	PWS-AA004600		2011.04.28 ~		O		
C-7-22	01301900H000	Close Plug (M8*1.0)				3	

C-8

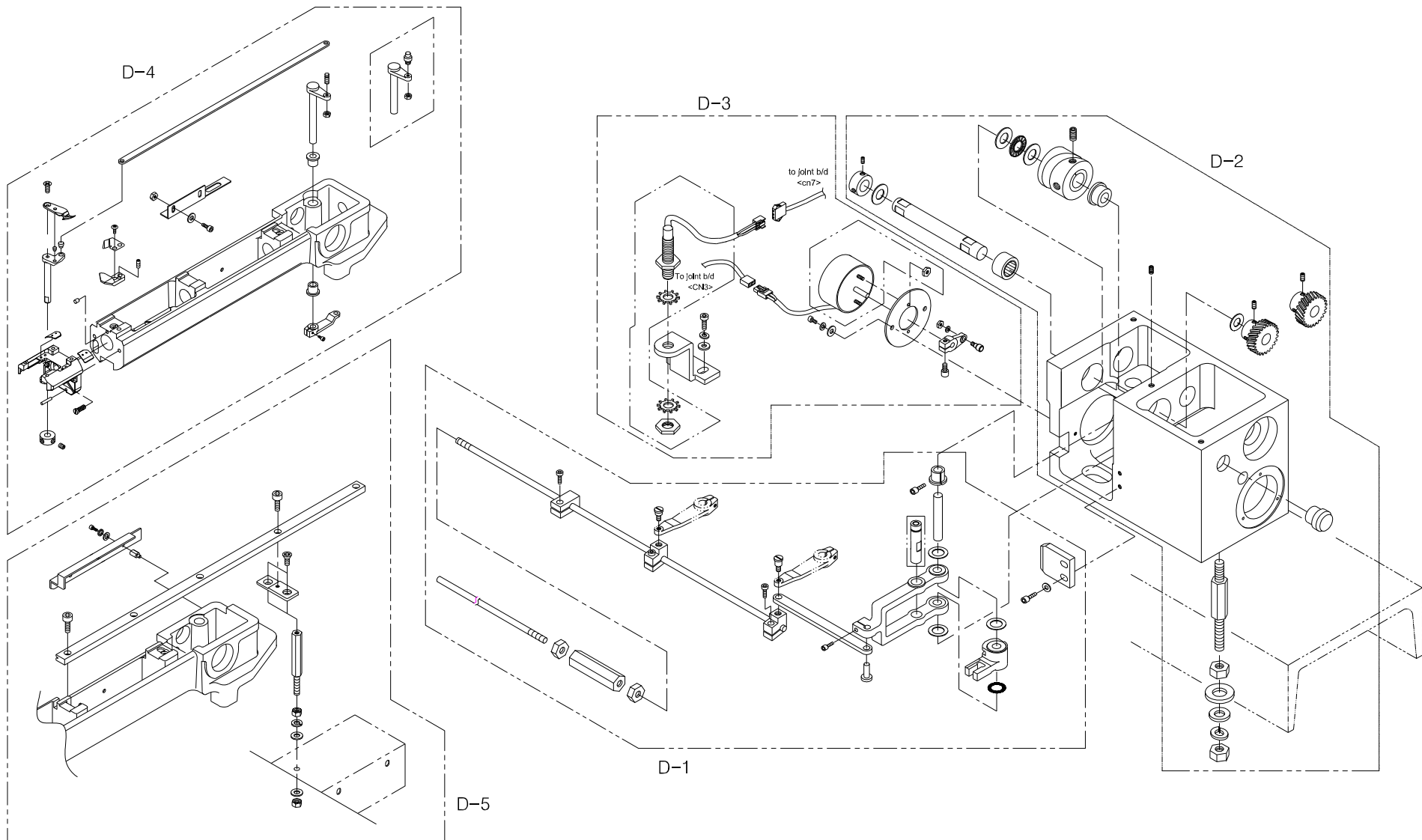


Note

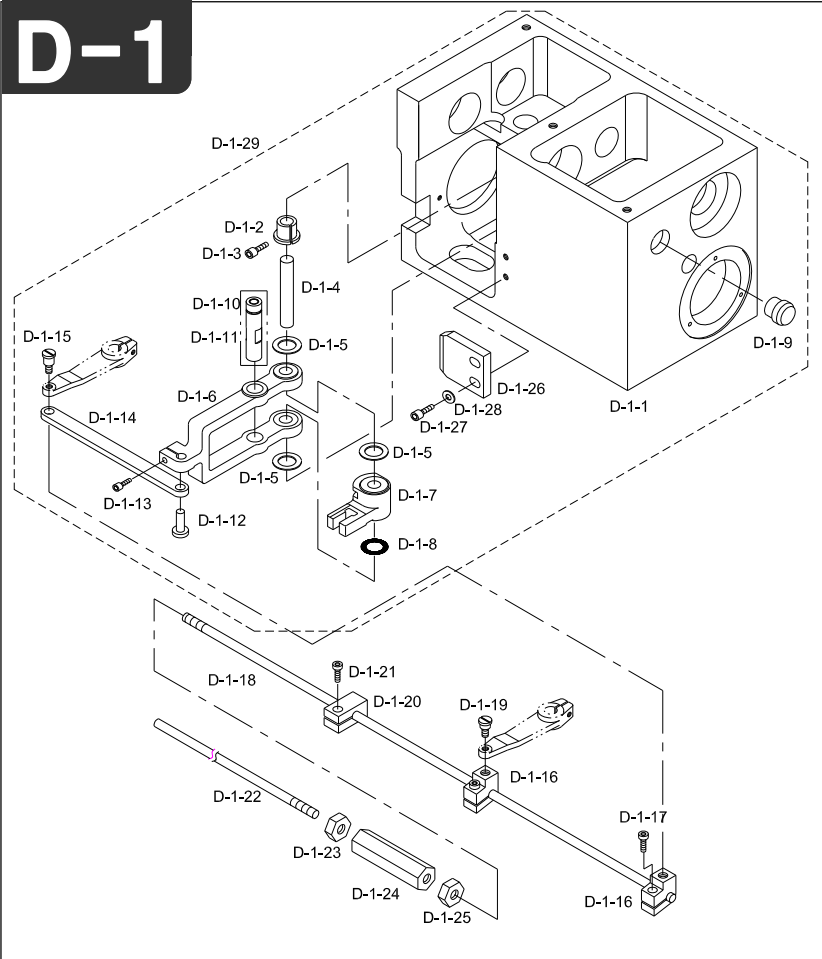
Ref.No	PartNo.	PartName	Application date	Interchangeability	Hardware	Qty	Remarks
C-8-1	GP-050368-00	Oil Pump Set				1	
C-8-2	14046SC-7113	Hex.Socket Bolt (M6*L30)	~ 2011.12.26		O	3	
	PSC-AC023500		2011.12.27 ~		O		
C-8-3	03026SW-9115	Spring Washer (@6)	~ 2010.12.30		O	3	
	PWS-CA002700		2010.12.31 ~		O		
C-8-4	03025SW-1211	Washer (@6)	~ 2009.10.28		O	3	
	DWS-AA008400		2009.10.29 ~		O		
C-8-5	01300200H000	Oil Pump Adapter				1	
C-8-6	01300300H000	Oil Pump Hose Insert				2	
C-8-7	01300400H000	Oil Pump Compression Sleeve				2	
C-8-8	01300500H000	Oil Pump Compression Bushing				2	
C-8-9	01300600H000	Oil Pump Hose (@4)				1	
C-8-10	15046ET-T121	Wire Holder				2	
C-8-11	02023SC-7113	Hex. Socket Bolt (M4*L8)	~ 2009.07.28		O	2	
	PSC-AC004100		2009.07.29 ~		O		
C-8-12	01302210H000	Stop Valve (1/8)				1	
C-8-13	05014SC-7113	Hex. Socket Bolt (M4*L25)	~ 2009.07.28		O	2	
	PSC-AC004400		2009.07.29 ~		O		
C-8-14	18015SW-3111	Washer (4@)	~ 2009.06.07		O	2	
	PWS-AA001000		2009.06.08 ~		O		
C-8-15	01302600H000	Stop Valve Adapter				1	
C-8-16	01300300H000	Oil Pump Hose Insert				1	
C-8-17	01300400H000	Oil Pump Compression Sleeve				1	
C-8-18	01300500H000	Oil Pump Compression Bushing				1	
C-8-19	01302400H000	Stop Valve Adapter Hose (@4)				1	
C-8-20	01303500H000	Needle Bar Pin Supply Hose				20	

C

Thread Cutting Set



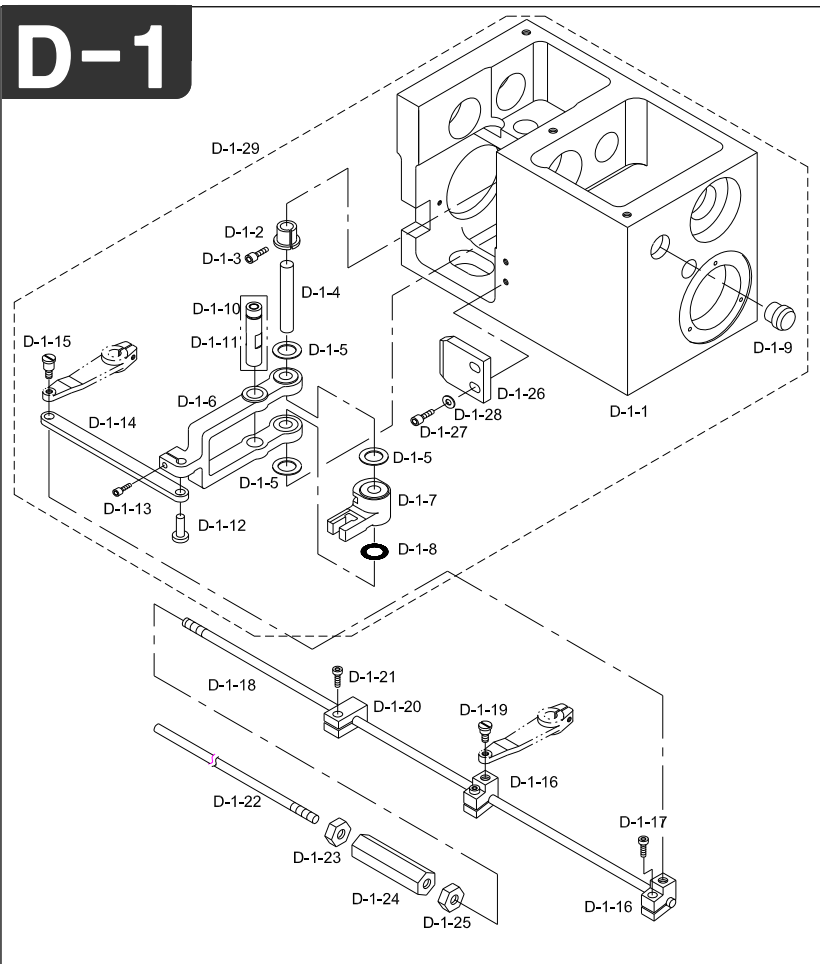
D-1



Note

Ref.No	PartNo.	PartName	Application date	Interchangeability	Hardware	Qty	Remarks
D-1-1	GP-011445-00	Mes Cam Driving Box	~ 2011.11.16	X		1	
	GP-011445-01		2011.11.17 ~				
D-1-2	08203000A000	Take-Up Lever Shaft Bush(L)	~ 2011.02.24			1	
	DBS-DB010500		2011.02.25 ~				
D-1-3	02014SC-7113	Hex. Socket Bolt (M4*L5)	~ 2010.10.28		O	1	
	PSC-AC016100		2010.10.29 ~				
D-1-4	07025CW-UK01	Lever Shaft (@8*L70)	~ 2012.03.26		O	1	
	LTT-KC002100		2012.03.27 ~				
D-1-5	07024BR-UK01	Fiber Washer(R-Tw0805)	~ 2009.12.29			3	
	PWS-AA003000		2009.12.30 ~				
D-1-6	07028CL-UK01	Mes Driving Lever	~ 2012.03.26			1	
	LTT-CM000500		2012.03.27 ~				
D-1-7	07029CL-UK01	Mes Driving Crank	~ 2012.03.19			1	
	LTT-CB000500		2012.03.20 ~				
D-1-8	08022RB-T121	O-Ring (@10)			O	1	
D-1-9	08071RB-UK01	Thread Driver Box Rubber				1	
D-1-10	07030AF-UK01	Roller	~ 2011.12.26			1	
	LTT-CL000100		2011.12.27 ~				
D-1-11	07026CW-UK01	Roller Shaft	~ 2012.04.01			1	
	LTT-KC002400		2012.04.02 ~				
D-1-12	08034CW-UK01	Lever Connecting Pin				1	
D-1-13	04010MC-7113	Hex.Socket Bolt (M4*L10)	~ 2010.03.30		O	1	
	PSC-AC011900		2010.03.31 ~				
D-1-14	03000700TH00	Thread Lever Connect Link				1	
D-1-15	SC-001609-00	Link Stud Bolt			X	1	
D-1-16	08023CL-UK01	Mes Shaft Cramp				4	
	02015SC-7113		~ 2009.09.28				
D-1-17	PSC-AC007100	Hex.Socket Bolt(M4*L10)	2009.09.29 ~		O	4	
	23004SH-UK02						
D-1-18	23004SH-UK01	Mes Driving Shaft @6,L520 (UK1202)				1	
	23006SH-UK06	Mes Driving Shaft (UK1204)					
	LTT-KC002500	Mes Driving Shaft "A" L=1255 (UK1206)	~ 2012.03.26				
	02000300UH60	MES DRIVING SHAFT L2020 (UH1506C)	2012.03.27 ~				
	02000300UH80	Mes Driving Shaft "A" L1443 (UH1508)					
D-1-19	SC-001610-00	Clamp Stud Bolt			X	3	
D-1-20	08023CW-A001	Mes Shaft Cramp	~ 2011.04.27			1	
	LTT-BL000200		2011.04.28 ~				
D-1-21	02015SC-7113	Hex.Socket Bolt(M4*L10)	~ 2009.09.28		O	1	
	PSC-AC007100		2009.09.29 ~				

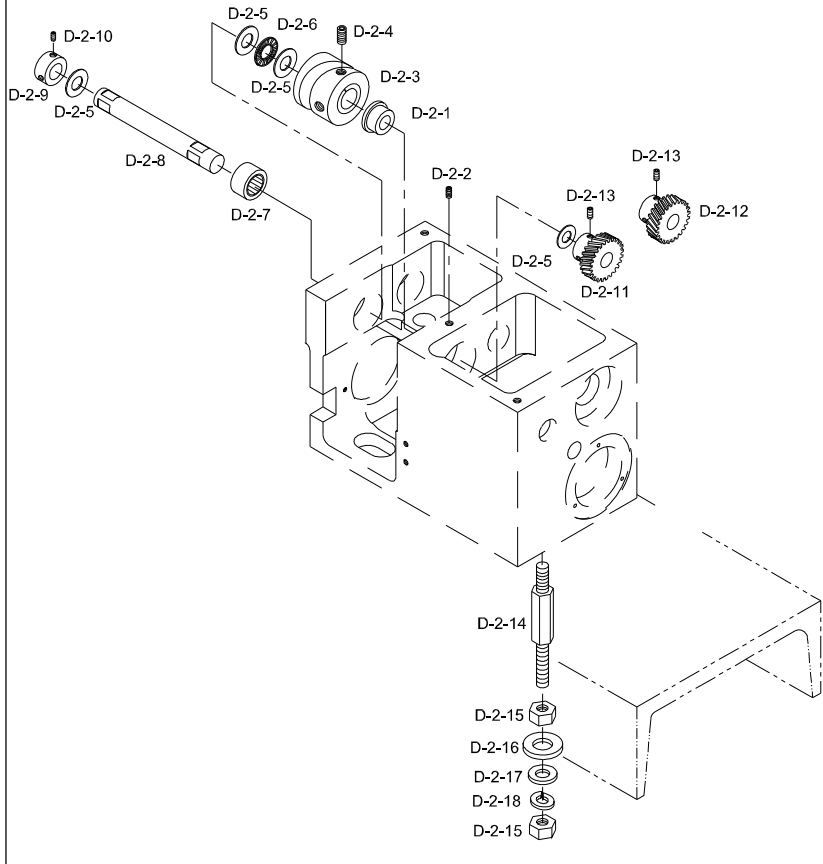
D-1



Note

Ref.No	PartNo.	PartName	Application date	Interchangeability	Hardware	Qty	Remarks
D-1-22	23007SH-UK06	Mes Driving Shaft "B" L=1255 (UK1206)	~ 2012.03.26			1	
	LTT-KC002600		2012.03.27 ~				
	02000400UH80		MES DRIVING SHAFT "B" L1377 (UH1508)				
D-1-23	17051SN-A001	Mes Priving Shaft Joint	~ 2011.02.24			1	
	DSN-CG000300		2011.02.25 ~				
D-1-24	13042SN-1111	Hex.Nut (M6*T5-R)	~ 2009.07.28		O	1	
	PSN-AA001300		2009.07.29 ~		O		
D-1-25	17053SN-1111	Hex. Nut(L) (M6*T5-L)	~ 2011.02.24		O	1	
	PSN-AA004300		2011.02.25 ~		O		
D-1-26	08021PM-UK01	Lever Stopper	~ 2012.03.26			1	
	LTT-BK000200		2012.03.27 ~				
D-1-27	02015SC-7113	Hex.Socket Bolt(M4*L10)	~ 2009.09.28		O	2	
	PSC-AC007100		2009.09.29 ~		O		
D-1-28	18015SW-3111	Washer (4@)	~ 2009.06.07		O	2	
	PWS-AA001000		2009.06.08 ~		O		
D-1-29	03900000UH00	Mes Cam Driving Box Assy	~ 2012.04.02			1	
	BTT-PS001800		2012.04.03 ~				

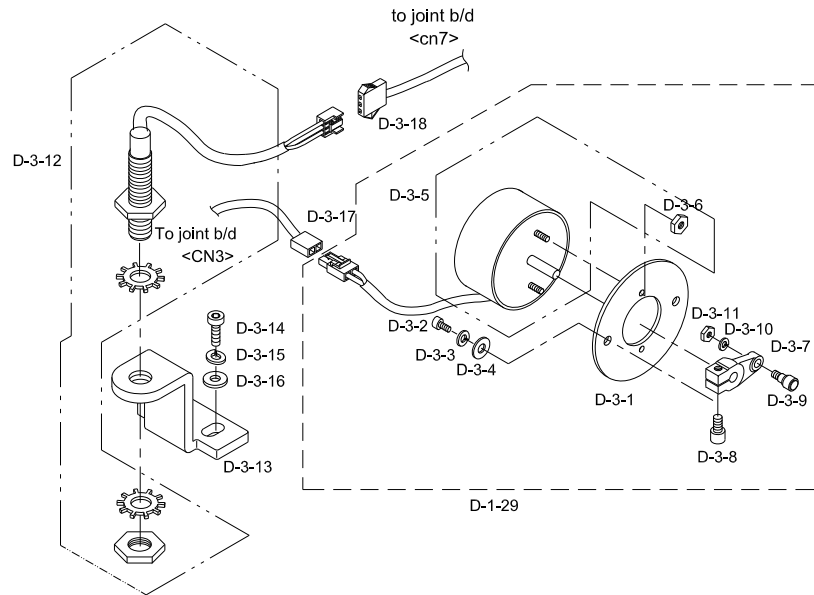
D-2



Note

Ref.No	PartNo.	PartName	Application date	Interchangeability	Hardware	Qty	Remarks
D-2-1	08042MP-UK01	Mes Cam Shaft Bush	~ 2012.03.26			1	
	DBS-DB017700		2012.03.27 ~				
D-2-2	04014SC-4517	Hex. Socket Set Screw (M4*L5)	~ 2009.06.07		O	1	
	PSC-CB000300		2009.06.08 ~		O		
D-2-3	07034CM-UK01	Mes Cam				1	
D-2-4	14005SC-4517	HEX, SOCKET SET SCREW (M8*L8)	~ 2009.06.08		O	2	
	PSC-CB000400		2009.06.09 ~		O		
D-2-5	08028BR-A001	Thrust Washer (As 1528)	~ 2011.01.30			4	
	PWS-AC000100		2011.01.31 ~				
D-2-6	08027BR-A001	Thrust Bearing (Ntb 1528)	~ 2011.01.30		O	1	
	PBR-BB000400		2011.01.31 ~		O		
D-2-7	04027BR-A001	Needle Bearing (Hmk1515)	~ 2011.12.26		O	1	
	PBR-BA006500		2011.12.27 ~				
D-2-8	07038CW-UK01	Mes Cam Shaft	~ 2012.03.26			1	
	LTT-KC002200		2012.03.27 ~				
D-2-9	03704900A000	Cam Shaft Collar	~ 2011.12.26			1	
	DCL-AA014200		2011.12.27 ~				
D-2-10	04016AF-A001	Cam Collar Screw	~ 2010.12.30			2	
	DSC-CB003300		2010.12.31 ~				
D-2-11	07041GA-UK01	Gear "A"				1	
D-2-12	07043GA-UK01	Gear "B"				1	
D-2-13	04012AF-A001	Hook Shaft Bush Screw	~ 2010.12.30			4	
	DSC-CB003200		2010.12.31 ~				
D-2-14	08025CW-UK01	Box Stud Bolt	~ 2012.03.26			3	
	DSC-HC004700		2012.03.27 ~				
D-2-15	04032SN-A001	Hex. Nut (M8-No2)	~ 2011.02.24		O	6	
	DSN-AA005500		2011.02.25 ~		O		
D-2-16	04030SW-A001	Stud Bolt Washer (L) (@8)	~ 2011.04.27		O	3	
	DWS-AA022700		2011.04.28 ~		O		
D-2-17	04029SW-A001	Stud Bolt Washer (S) (@8)	~ 2009.10.28		O	3	
	DWS-AA009900		2009.10.29 ~		O		
D-2-18	15095SW-3115	Spring Washer (@8)	~ 2010.05.27		O	3	
	PWS-CA002000		2010.05.28 ~		O		

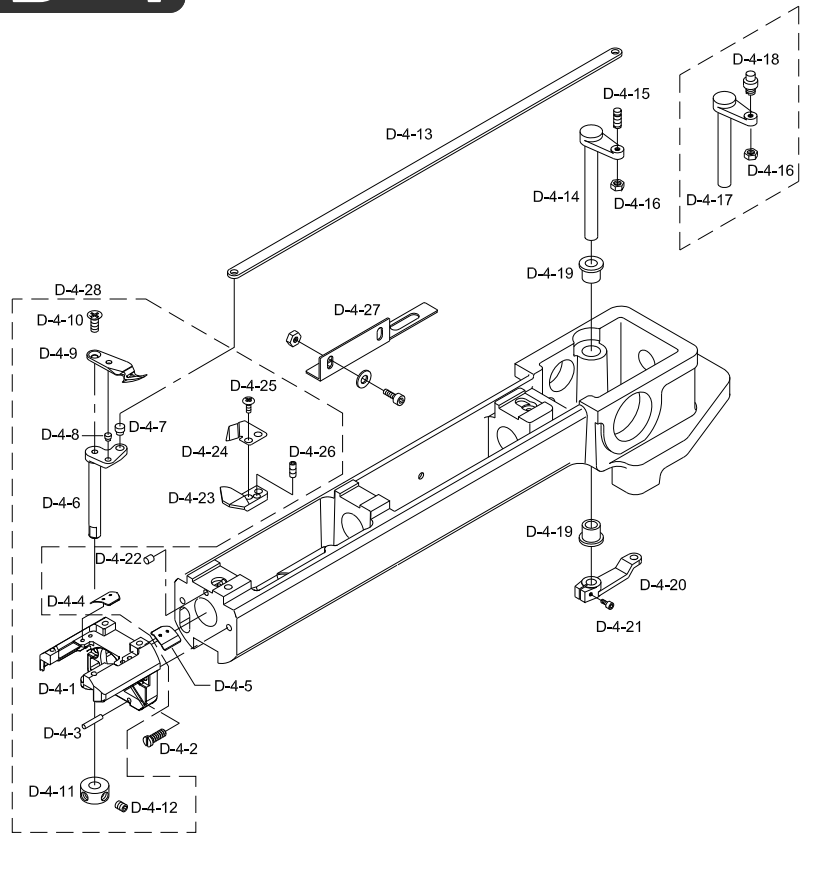
D-3



Note

Ref.No	PartNo.	PartName	Application date	Interchangeability	Hardware	Qty	Remarks
D-3-1	07015PR-UK01	Solenoid Plate	~ 2012.03.26			1	
	LTT-BJ000500		2012.03.27 ~				
D-3-2	02031SC-7113	Hex. Socket Screw(M5*L10)	~ 2009.12.29		O	2	
	PSC-AC004500		2009.12.30 ~		O		
D-3-3	18048SW-3115	Spring Washer (5@)	~ 2009.07.28		O	2	
	PWS-CA000800		2009.07.29 ~		O		
D-3-4	18049SW-3111	Washer (@5)	~ 2009.07.28		O	2	
	PWS-AA001500		2009.07.29 ~		O		
D-3-5	08068EL-UK01	Thread Trimming Solenoid Ass'y				1	
D-3-6	11014SN-1211	Hex.Nut (M3-No2)	~ 2012.08.05		O	2	
	PSN-AA005800		2012.08.06 ~		O		
D-3-7	07017CL-UK01	Solenoid Crank	~ 2012.03.26			1	
	LTT-CB000400		2012.03.27 ~				
D-3-8	03071SC-7113	Hex. Socket Bolt (M3*L10)	~ 2010.06.27		O	1	
	PSC-AC013400		2010.06.28 ~		O		
D-3-9	08048AF-T121	Solenoid Crank Roller				1	
D-3-10	18014SW-3115	Spring Washer (@4-No2)	~ 2009.07.28		O	1	
	PWS-CA000900		2009.07.29 ~				
D-3-11	08050SN-T121	Hex. Nut	~ 2010.04.07			1	
	SN-000311-00		2010.04.08 ~ 2012.03.26				
	DSN-AA007600		2012.03.27 ~				
D-3-12	08102EL-A001	Zero Point Sensor Ass'Y				1	
D-3-13	08070PR-UK01	Sensor Bracket				1	
D-3-14	02031SC-7113	Hex. Socket Screw(M5*L10)	~ 2009.12.29		O	2	
	PSC-AC004500		2009.12.30 ~		O		
D-3-15	18048SW-3115	Spring Washer (5@)	~ 2009.07.28		O	2	
	PWS-CA000800		2009.07.29 ~		O		
D-3-16	18049SW-3111	Washer (@5)	~ 2009.07.28		O	2	
	PWS-AA001500		2009.07.29 ~		O		
D-3-17	25026EL-UK02	Cable (25-26) 2Head (UK1202)				1	
	25027EL-UK01	Sol. Connecting Cable (4Ht-27) (UK1204)					
	25023EL-UK06	Cable (25-23) (UK1206)					
	02102600UH80	CABLE (SH-26-4) (UH1508)					
D-3-18	25039EL-UK02	Cable (25-39) 2Head (UK1202)				1	
	25043EL-UK01	Sensor To.Joint Con.(4Ht-43) (UK1204)					
	25039EL-UK06	Cable (25-39) (UK1206)					
	02104400UH80	CABLE (SH-44-5) (UH1508)					

D-4

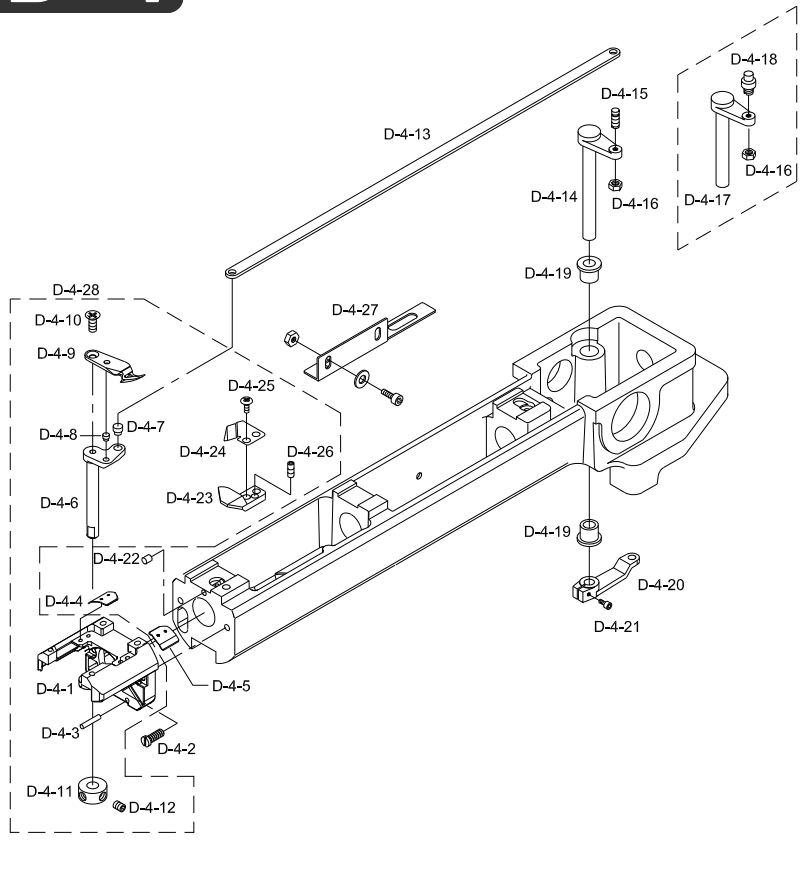


Note

Ref.No	PartNo.	PartName	Application date	Interchangeability	Hardware	Qty	Remarks
D-4-1	GP-005357-00	Needle Plate Bracket	~ 2005.07.12	X		4	
	GP-005357-01		2005.07.13 ~ 2008.12.03	△			
	GP-005357-02		2008.12.04 ~ 2010.05.03	△			
	GP-005357-03		2010.05.04 ~ 2011.07.26				
	GP-005357-04		2011.07.27 ~ 2012.03.30				
	LHB-BB000401		2012.04.01 ~				
D-4-2	04037SC-A001	Picker Bracket Screw (R)	~ 2011.04.27			8	
	DSC-BJ007200		2011.04.28 ~				
D-4-3	02009PI-T121	Spring Pin	~ 2012.03.26			8	
	PPN-AF003600		2012.03.27 ~				
D-4-4	GP-012800-00	Needle Plate Guide (L)		X		4	
D-4-5	GP-012801-00	Needle Plate Guide (R)		X		4	
D-4-6	GP-006638-00	Moving Mes Shaft	~ 2012.03.26	X		4	
	LTT-KZ000100		2012.03.27 ~				
D-4-7	08123CW-T121	MOVING MES CONNECTING LINK PIN	~ 2009.07.13			4	
	PN-000776-00		2009.07.14 ~ 2012.03.26				
D-4-8	DPN-AD014000	MES PIN	~ 2012.03.27 ~			4	
	08122CW-A001		~ 2012.03.26				
D-4-9	DPN-AD013900	Moving Mes	2012.03.27 ~			4	
	07028PR-T121		~ 2012.03.26				
D-4-10	LTT-NA000200	Plus Screw (M3*L8)	2012.03.27 ~			4	
	08014SC-A001		~ 2011.04.27		O		
D-4-11	DSC-BB006300	Mes Shaft Collar	2011.04.28 ~		O	4	
	13003000T000		~ 2012.03.26				
D-4-12	DCL-AA014900	Hex. Socket Set Screw (M4*L5)	2012.03.27 ~			8	
	03022SC-4517		~ 2009.08.27		O		
D-4-13	PSC-CB000600	Mes Connecting Link	2009.08.28 ~		O	4	
	07006LA-UK01		~ 2010.06.09				
	GP-048504-00		2010.06.10 ~ 2012.03.26				
	LTT-CA000300		2012.03.27 ~ 2015.11.16				
D-4-14	LTT-CA000301	Mes Driving Lever Shaft "A"	2015.11.17 ~			3	
	03001100U000		~ 2012.03.26				
D-4-15	LTT-KZ000300	Lever Pin "A"	2012.03.27 ~			3	
	07023CW-T121		~ 2009.05.07				
	PN-000723-00		2009.05.08 ~ 2010.03.12				
	PN-000723-01		2010.03.18 ~ 2012.03.26				
D-4-16	DSC-FF005300	Hex. Nut (M4-No2)	2012.03.27 ~			4	
	02029SN-9311		~ 2010.09.29		O		
	PSN-AA003800		2010.09.30 ~		O		

D

D-4

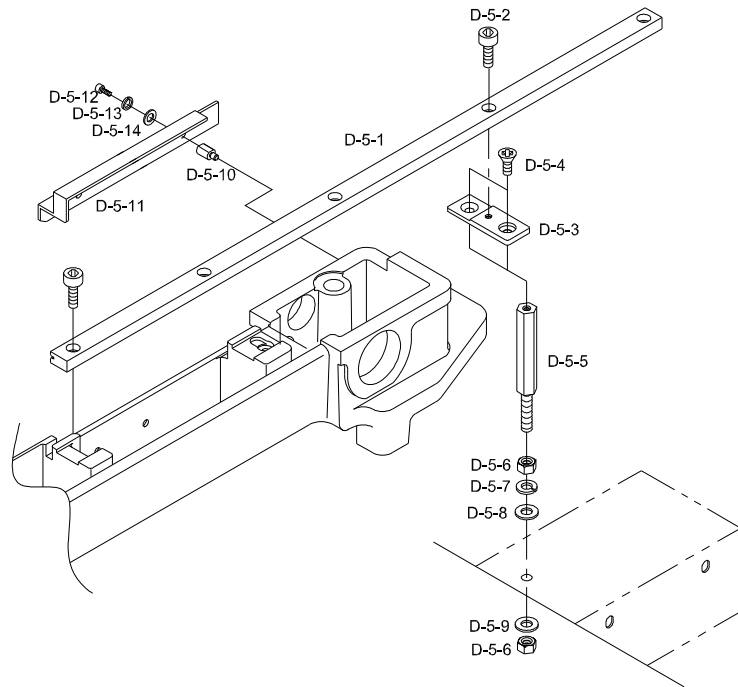


Note

Ref.No	PartNo.	PartName	Application date	Interchangeability	Hardware	Qty	Remarks
D-4-17	03001200U000	Mes Driving Lever Shaft "B"				1	
D-4-18	08122CW-UK01	Lever Pin "B"	~ 2011.03.10			1	
	PN-000838-00		2011.03.11 ~				
D-4-19	07021MP-T121	Lever Shaft Bush	~ 2012.03.26			8	
	DBS-DB017600		2012.03.27 ~				
D-4-20	02100400U000	Mes Driving Lever	~ 2009.05.11			4	
	GP-045870-00		2009.05.12 ~ 2012.03.26				
D-4-21	LTT-CM000400	Hex.Socket Bolt(M4*L10)	2012.03.27 ~			4	
	02015SC-7113		~ 2009.09.28		O		
	PSC-AC007100		2009.09.29 ~		O		
D-4-22	32047RB-T121	Oil Rubber Cap				4	
D-4-23	07032CL-T121	Fixed Mes	~ 2009.01.06			4	
	GP-044364-00		2009.01.07 ~ 2011.03.10				
	GP-044364-01		2011.03.11 ~ 2011.07.18				
	GP-044364-02		2011.07.19 ~ 2012.03.26				
	LTT-NB000200		2012.03.27 ~ 2012.08.15				
D-4-24	LTT-NB000201	Under Thread Presser	2012.08.16 ~			4	
	07033PR-T121		~ 2012.03.26				
D-4-25	LTT-BJ000400	Plus Screw (M3*L8)	2012.03.27 ~			8	
	07018SC-8118		~ 2010.12.30		O		
D-4-26	PSC-BD001300	Hex. Socket Set Screw (M3*L3)	2010.12.31 ~			4	
	03050SC-4517		~ 2010.10.28		O		
D-4-27	PSC-CB004400		2010.10.29 ~		O		
D-4-27	GP-006670-00	Bed Felt Cover A (UK1204,UH1506C)			X	1	
D-4-28	AS-002024-00	Needle Plate Bracket Assy			X	4	

D

D-5

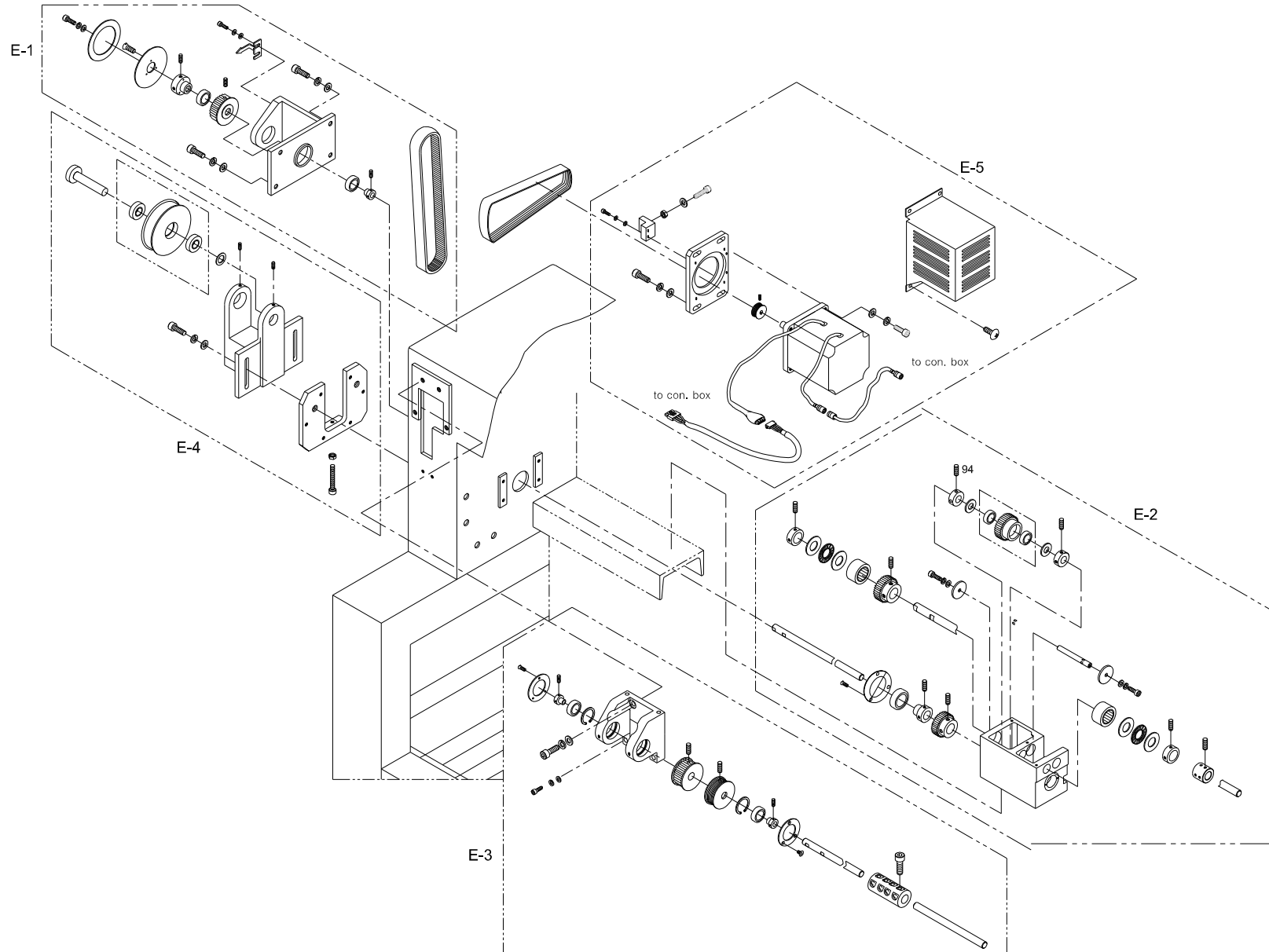


Note

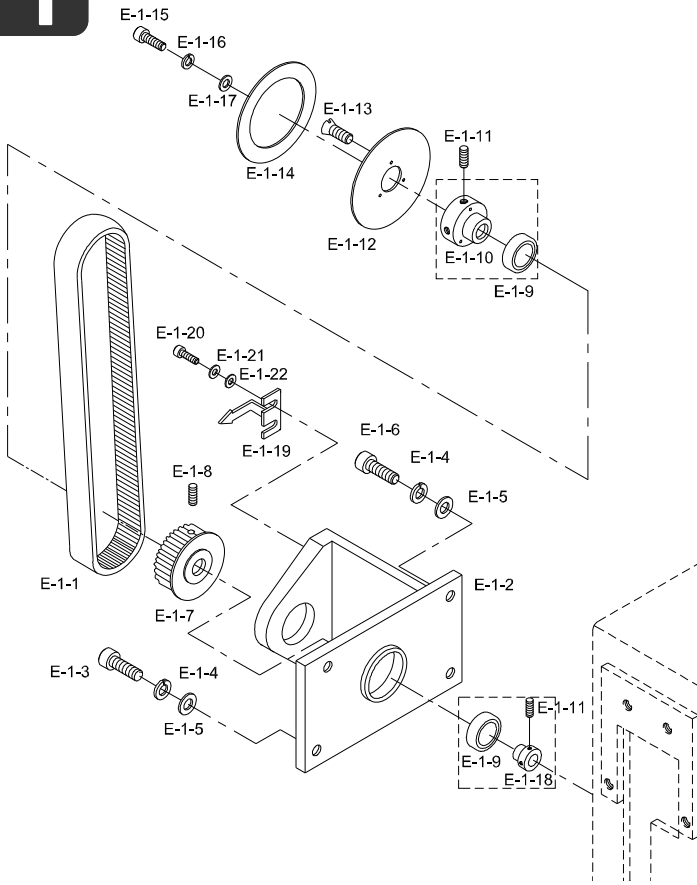
Ref.No	PartNo.	PartName	Application date	Interchangeability	Hardware	Qty	Remarks
D-5-1	03200100UH00	Rail Guide (UK1204,UH1506C)				1	
D-5-2	02023SC-7113	Hex. Socket Bolt (M4*L8) (UK1204,UH1506C)	~ 2009.07.28		O	2	
	PSC-AC004100		2009.07.29 ~		O		
D-5-3	GP-008126-00	Rail Support Plate (UK1204,UH1506C)		X		2	
D-5-4	16022AF-8119	Plus Screw(M6*L20) (UK1204,UH1506C)			O	4	
D-5-5	16021CW-A001	Table Support Stud (UK1204,UH1506C)				4	
D-5-6	04032SN-A001	Hex. Nut (M8-No2) (UK1204,UH1506C)	~ 2011.02.24		O	4	
	DSN-AA005500		2011.02.25 ~		O		
D-5-7	15095SW-3115	Spring Washer (@8) (UK1204,UH1506C)	~ 2010.05.27		O	4	
	PWS-CA002000		2010.05.28 ~		O		
D-5-8	04029SW-A001	Stud Bolt Washer(S) (@8) (UK1204,UH1506C)	~ 2009.10.28		O	4	
	DWS-AA009900		2009.10.29 ~		O		
D-5-9	04030SW-A001	Stud Bolt Washer(L) (@8) (UK1204,UH1506C)	~ 2011.04.27		O	4	
	DWS-AA022700		2011.04.28 ~		O		
D-5-10	03200200UH00	Rail Guide Cover Stud				2	
D-5-11	03200300UH00	Rail Guide Cover				1	
D-5-12	02023SC-7113	Hex. Socket Bolt (M4*L8)	~ 2009.07.28		O	4	
	PSC-AC004100		2009.07.29 ~		O		
D-5-13	18014SW-3115	Spring Washer (@4-No2)	~ 2009.07.28		O	2	
	PWS-CA000900		2009.07.29 ~		O		
D-5-14	18015SW-3111	Washer (4@)	~ 2009.06.07		O	2	
	PWS-AA001000		2009.06.08 ~		O		



Main Drive System



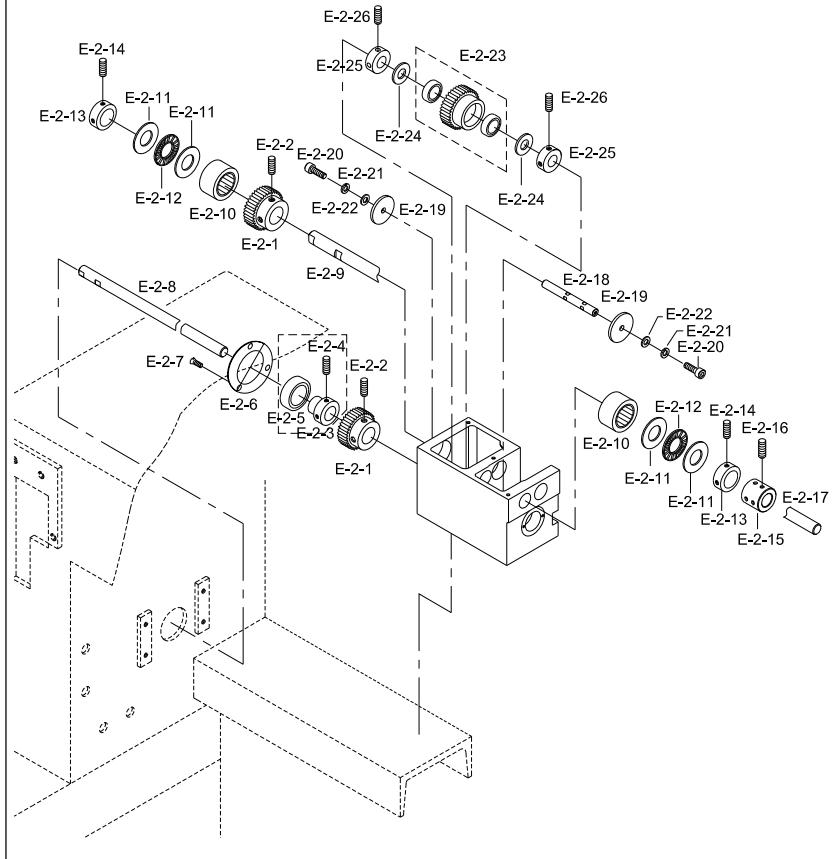
E-1



Note

Ref.No	PartNo.	PartName	Application date	Interchangeability	Hardware	Qty	Remarks
E-1-1	BE-000319-00	Timing Belt (25XS5MXL1000)	~ 2011.12.26	X		1	
	PBT-BC004300		2011.12.27 ~				
E-1-2	03012100U000	Low Shaft Support Bracket				1	
E-1-3	08091SC-7113	Hex. Socket Bolt (M6*L20)	~ 2009.06.01		O	2	
	PSC-AC002000		2009.06.02 ~				
E-1-4	16014SW-4115	Spring Washer (@6)	~ 2009.07.28		O	4	
	PWS-CA001000		2009.07.29 ~				
E-1-5	08057SW-1111	Washer (@6)	~ 2009.07.28		O	4	
	PWS-AA001400		2009.07.29 ~				
E-1-6	06025MC-7113	HEX.SOCKET BOLT (M6*L25)	~ 2009.09.28		O	2	
	PSC-AC007200		2009.09.29 ~				
E-1-7	GP-044306-00	Pulley (Tubular)	~ 2011.12.26	X		1	
	DPL-BC008500		2011.12.27 ~				
E-1-8	14061AF-4517	Hex.Socket Screw (M8*L8)	~ 2009.10.28		O	8	
	PSC-CB001400		2009.10.29 ~				
E-1-9	01029BR-A001	Ball Bearing (6004Zz)	~ 2011.04.27		O	2	
	PBR-AA011400		2011.04.28 ~				
E-1-10	13107CW-UK01	Collar	~ 2010.03.11			1	
	CL-000323-00		2010.03.12 ~ 2011.12.26				
E-1-11	DCL-AB006300		2011.12.27 ~				
	14060AF-4517		~ 2010.12.30				
E-1-12	PSC-CB004800	Hex.Socket Screw (M6*L6)	2010.12.31 ~		O	12	
	13053PR-UK01		~ 2011.12.26				
E-1-13	LUP-BJ001100	Angle Plate Base	2011.12.27 ~			1	
	13061SC-8119		~ 2010.12.30				
E-1-14	PSC-BB002200	Plus Screw (M3*L10)	2010.12.31 ~		O	1	
	13054ET-UK01		~ 2011.12.26				
E-1-15	LUP-BJ001200	Angle Disk	2011.12.27 ~			1	
	14006SC-7113		~ 2010.05.27				
E-1-16	PSC-AC013100	Hex.Socket Set Screw (M8*L15)	2010.05.28 ~		O	1	
	15095SW-3115		~ 2010.05.27				
E-1-17	PWS-CA002000	Spring Washer (@8)	2010.05.28 ~		O	1	
	04029SW-A001		~ 2009.10.28				
E-1-18	DWS-AA009900	STUD BOLT WASHER(S) (@8)	2009.10.29 ~		O	1	
	14058CW-A001		~ 2009.10.28				
E-1-19	DBS-AA000600	Collar "A"	2009.10.29 ~			1	
	03012210U000		~ 2012.02.26				
E-1-20	LUP-BJ001400	INDICATOR	2012.02.27 ~			1	
	02015SC-7113		~ 2009.09.28				
E-1-21	PSC-AC007100	HEX.SOCKET BOLT (M4*L10)	2009.09.29 ~		O	2	
	02028SW-9115		~ 2009.07.28				
E-1-22	PWS-CA000700	SPRING WASHER (@4)	2009.07.29 ~		O	2	
	18015SW-3111		~ 2009.06.07				
E-1-22	PWS-AA001000	Washer (4@)	2009.06.08 ~		O	1	

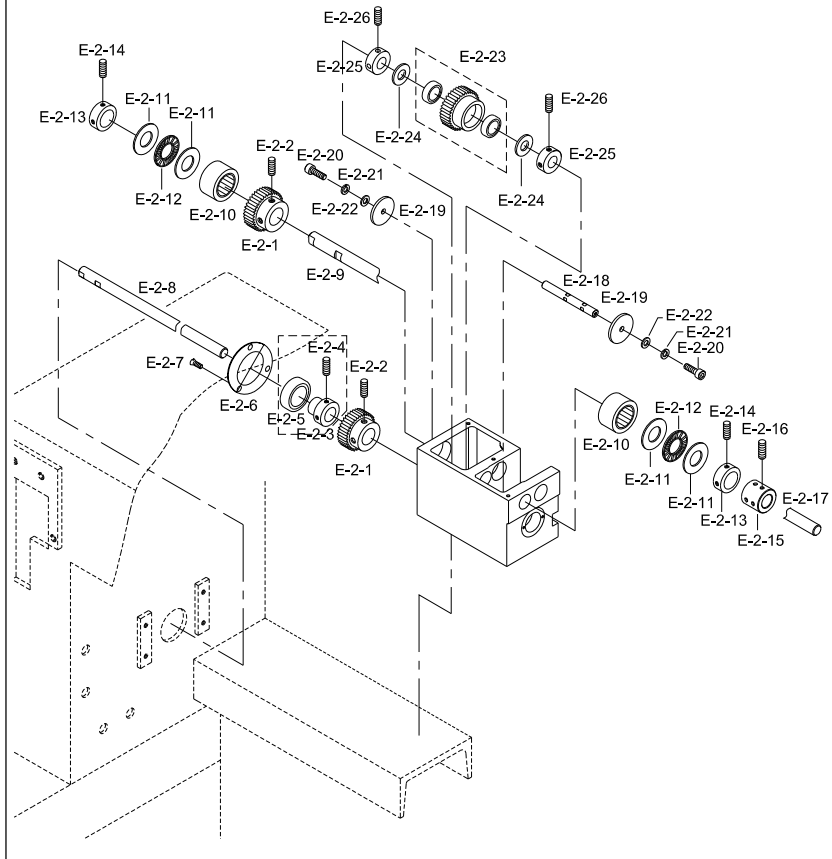
E-2



Note

Ref.No	PartNo.	PartName	Application date	Interchangeability	Hardware	Qty	Remarks
E-2-1	13032GA-UK06	Index Shaft Gear Uk06	~ 2012.08.05			2	
	DGR-AA007300		2012.08.06 ~				
E-2-2	04012AF-A001	Hook Shaft Bush Screw	~ 2010.12.30			11	
	DSC-CB003200		2010.12.31 ~				
E-2-3	01102000B000	Bearing Bushing	~ 2011.04.27			1	
	DCL-AB005300		2011.04.28 ~				
E-2-4	14060AF-4517	Hex.Socket Screw (M6*L6)	~ 2010.12.30		O	2	
	PSC-CB004800		2010.12.31 ~		O		
E-2-5	04026BR-A001	Ball Bearing 6003Z	~ 2009.10.28		O	1	
	PBR-AA004100		2009.10.29 ~		O		
E-2-6	04039PR-A001	Bearing Cover	~ 2012.03.26			1	
	LHB-LB000100		2012.03.27 ~				
E-2-7	21002SC-8119	PLUS SCREW (M3*L8)	~ 2011.03.28		O	3	
	PSC-BB002800		2011.03.29 ~		O		
E-2-8	03100600UK40	INDEX SHAFT	~ 2010.10.04			1	
	ST-000483-00		2010.10.05 ~				
E-2-9	03000200UK20	Low Shaft (L=804) (UK1202)				1	
	03000200UK40	Low Shaft (UK1204)					
	23003SH-UK06	Low Shaft "A" @15 L=1418 (UK1206)	~ 2012.03.26				
	LUP-KC005700		2012.03.27 ~				
	02000110UH60	Low Shaft L2303 (UH1506C)					
	02000100UH80	Low Shaft A 1650 (UH1508)					
E-2-10	04027BR-A001	Needle Bearing (Hmk1515)	~ 2011.12.26		O	2	
	PBR-BA006500		2011.12.27 ~		O		
E-2-11	08028BR-A001	Thrust Washer (As 1528)	~ 2011.01.30			4	
	PWS-AC000100		2011.01.31 ~				
E-2-12	08027BR-A001	Thrust Bearing (Ntb 1528)	~ 2011.01.30		O	2	
	PBR-BB000400		2011.01.31 ~		O		
E-2-13	03704900A000	Cam Shaft Collar	~ 2011.12.26			2	
	DCL-AA014200		2011.12.27 ~				
E-2-14	04016AF-A001	Cam Collar Screw	~ 2010.12.30			4	
	DSC-CB003300		2010.12.31 ~				
E-2-15	14079CW-UK06	Lower Shaft Coupling (UK1206,UH1508)				1	
E-2-16	14060AF-4517	Hex.Socket Screw (M6*L6) (UK1206,UH1508)	~ 2010.12.30		O	4	
	PSC-CB004800		2010.12.31 ~		O		
E-2-17	03000300UK60	Low Shaft B (@15, L1385) (UK1206)	~ 2012.03.26			1	
	LUP-KF001200		2012.03.27 ~				
	02000200UH80		Low Shaft B 1448 (UH1508)				

E-2

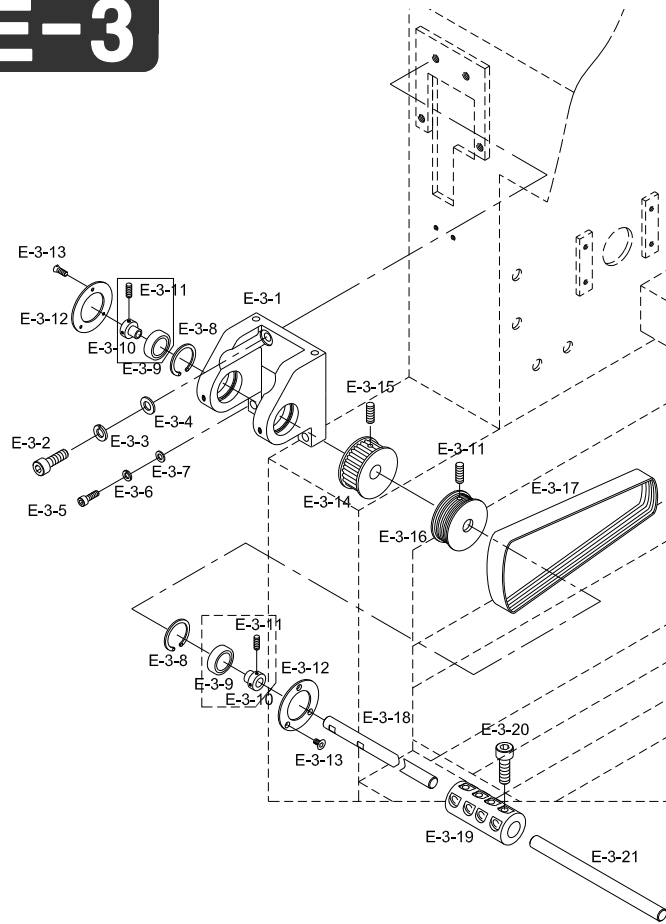


Note

Ref.No	PartNo.	PartName	Application date	Interchangeability	Hardware	Qty	Remarks
E-2-18	13041SH-UK01	Middle Shaft	~ 2010.08.04			1	
	ST-000252-00		2010.08.05 ~ 2011.03.10				
	ST-000252-01		2011.03.11 ~				
E-2-19	08053PR-A001	Lever Washer	~ 2011.04.27			2	
	DWS-AA022600		2011.04.28 ~				
E-2-20	02023SC-7113	Hex. Socket Bolt (M4*L8)	~ 2009.07.28		O	2	
	PSC-AC004100		2009.07.29 ~		O		
E-2-21	02028SW-9115	Spring Washer (@4)	~ 2009.07.28		O	2	
	PWS-CA000700		2009.07.29 ~		O		
E-2-22	05009SW-1111	Washer (@4-L)	~ 2011.02.24		O	2	
	PWS-AA004400		2011.02.25 ~		O		
E-2-23	13036BR-UK01	Needle Bearing (63800Zz)			O	2	
E-2-24	12019BR-T121	Fiber Washer R-Tw1020	~ 2010.06.27			2	
	PWS-AA003100		2010.06.28 ~				
E-2-25	13038CW-UK01	Collar "C"	~ 2012.03.26			2	
	DCL-AA015000		2012.03.27 ~				
E-2-26	03022SC-4517	Hex. Socket Set Screw (M4*L5)	~ 2009.08.27		O	4	
	PSC-CB000600		2009.08.28 ~				

E

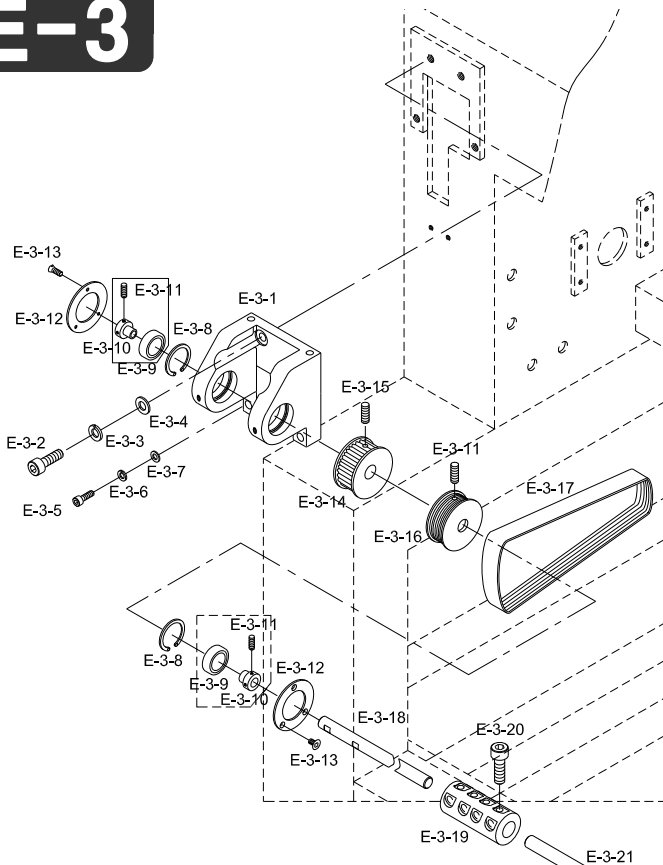
E-3



Note

Ref.No	PartNo.	PartName	Application date	Interchangeability	Hardware	Qty	Remarks
E-3-1	03101300UH80	UPPER SHAFT SUPPORT BRACKET	~ 2007.06.07			1	
	GP-029941-00		2007.06.08 ~ 2009.05.07				
	GP-029941-01		2009.05.08 ~ 2011.04.05				
	GP-029941-02		2011.04.06 ~ 2011.12.26				
	LUP-BB000300		2011.12.27 ~ 2013.09.09				
	LUP-BB000301		2013.09.10 ~				
E-3-2	08087SC-7113	HEX. SOCKET BOLT (M8*L25)	~ 2009.10.28		O	2	
	PSC-AC008300		2009.10.29 ~		O		
E-3-3	15095SW-3115	SPRING WASHER (@8)	~ 2010.05.27		O	2	
	PWS-CA002000		2010.05.28 ~		O		
E-3-4	08041SW-1111	WASHER (@8-S)	~ 2011.04.27		O	2	
	PWS-AA004700		2011.04.28 ~		O		
E-3-5	14046SC-7113	HEX.SOCKET BOLT (M6*L30)	~ 2011.12.26		O	2	
	PSC-AC023500		2011.12.27 ~		O		
E-3-6	03026SW-9115	Spring Washer (@6)	~ 2010.12.30		O	2	
	PWS-CA002700		2010.12.31 ~		O		
E-3-7	08057SW-1111	WASHER (@6)	~ 2009.07.28		O	2	
	PWS-AA001400		2009.07.29 ~		O		
E-3-8	03010SR-4013	C-Ring (@47)	~ 2011.12.26		O	2	
	PSR-AB001600		2011.12.27 ~		O		
E-3-9	01001100H000	Ball Bearing (6005Zz)	~ 2010.12.30		O	2	
	PBR-AA009900		2010.12.31 ~		O		
E-3-10	03005210H000	Collar "A"	~ 2010.04.28			2	
	GP-043996-00		2010.04.29 ~ 2011.01.30				
	DCL-AB004500		2011.01.31 ~				
E-3-11	14060AF-4517	Hex.Socket Screw (M6*L6)	~ 2010.12.30		O	6	
	PSC-CB004800		2010.12.31 ~		O		
E-3-12	03101400U000	Upper Shaft Support Cover	~ 2012.03.26			2	
	LUP-LB000400		2012.03.27 ~				
E-3-13	22006SC-7113	HEX. SOCKET BOLT (M3*L8)	~ 2009.07.28		O	6	
	PSC-AC002800		2009.07.29 ~		O		
E-3-14	GP-044305-00	Pulley (Tubular)	~ 2011.12.26			1	
	DPL-BC008600		2011.12.27 ~				
E-3-15	14061AF-4517	Hex.Socket Screw (M8*L8)	~ 2009.10.28		O	2	
	PSC-CB001400		2009.10.29 ~		O		
E-3-16	03010800UH00	TOP SHAFT PULLEY	~ 2011.12.26			1	
	DPL-AH000900		2011.12.27 ~				
E-3-17	03100700H000	MAIN DRIVING BELT 290J*10R	~ 2011.04.27			1	
	PBT-AH000100		2011.04.28 ~				

E-3

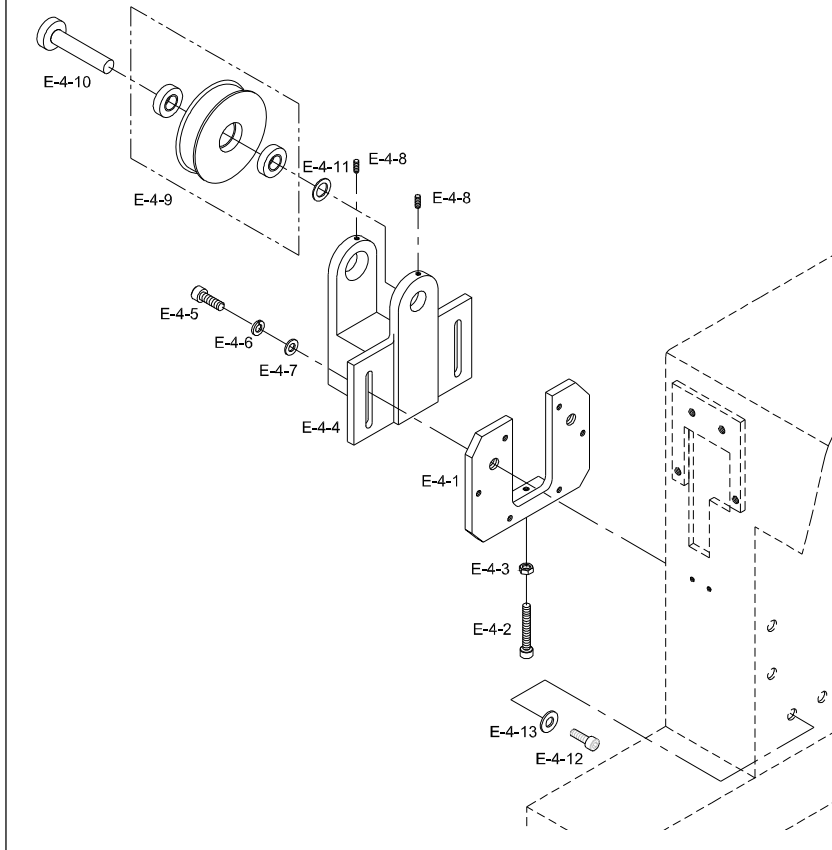


Note

Ref.No	PartNo.	PartName	Application date	Interchangeability	Hardware	Qty	Remarks
E-3-18	03000100UK20	Top Shaft (L1298) (UK1202)				1	
	03000100UK40	Top Shaft (L2298) (UK1204)				1	
	03000100UK60	Top Shaft "A" (@20, L1505.5) (UK1206)	~ 2012.03.26			1	
	LUP-KC005000		2012.03.27 ~				
	01000210UH60	Top Shaft L2698 (UH1506C)				1	
	01000210UH80	Top Shaft A L=2076 (UH1508)				1	
E-3-19	03006720HDK0		~ 2009.05.07				
	GP-044599-00	Coupling @20 (UK1206,UH1508)	2009.05.08 ~ 2010.12.30			1	
	DCR-AH000400		2010.12.31 ~				
E-3-20	08091SC-7113	Hex. Socket Bolt (M6*L20) (UK1206,UH1508)	~ 2009.06.01		O	4	
	PSC-AC002000		2009.06.02 ~		O		
E-3-21	03000200UK60	Top Shaft "B" (@20, L1800) (UK1206)	~ 2012.03.26			1	
	LUP-KC005100		2012.03.27 ~				
	01000220UH80	TOP SHAFT B L=1479 (UH1508)				1	

E

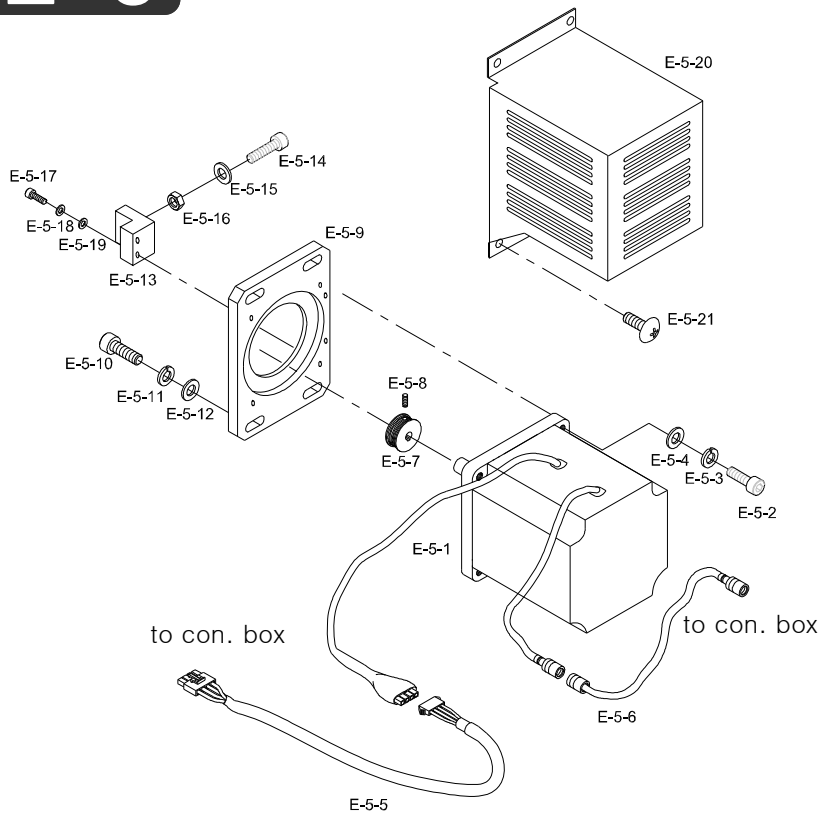
E-4



Note

Ref.No	PartNo.	PartName	Application date	Interchangeability	Hardware	Qty	Remarks
E-4-1	13123CW-E121	Idler Plate	~ 2011.08.30			1	
	GP-052562-00		2011.09.01 ~ 2011.12.26				
	LUP-BK000100		2011.12.27 ~				
E-4-2	14063SC-A001	Tension Control Bolt (M6*L40)			O	2	
E-4-3	13042SN-1111	Hex.Nut (M6*T5-R)	~ 2009.07.28		O	2	
	PSN-AA001300		2009.07.29 ~		O		
E-4-4	13118CS-UK01	Idler Support Bracket	~ 2011.07.19			1	
	GP-049432-00		2011.07.20 ~ 2011.08.30				
	GP-049432-01		2011.09.01 ~ 2011.12.26				
	LUP-BB000200		2011.12.27 ~				
E-4-5	14027SC-4113	Hex.Socket Bolt (M8*L30)			O	2	
E-4-6	15095SW-3115	Spring Washer (@8)	~ 2010.05.27		O	2	
	PWS-CA002000		2010.05.28 ~		O		
E-4-7	08041SW-1111	Washer (@8-S)	~ 2011.04.27		O	2	
	PWS-AA004700		2011.04.28 ~		O		
E-4-8	14060AF-4517	HEX.SOCKET SCREW(M6*L6)	~ 2010.12.30		O	2	
	PSC-CB004800		2010.12.31 ~		O		
E-4-9	GP-054979-00	Idler				1	
	13026BR-T121	Needle Bearing (6002Z)	~ 2009.09.28		O	2	
PBR-AA003200	2009.09.29 ~			O			
E-4-10	13120CW-UK01	IDLER SHAFT	~ 2005.05.05			1	
	GP-006816-00		2005.05.06 ~ 2011.12.26				
	LUP-KF000600		2011.12.27 ~				
E-4-11	13106PR-UK01	Idler Spacer	~ 2005.05.05			1	
	GP-006817-00		2005.05.06 ~ 2011.12.26				
E-4-12	DWS-AA026500		2011.12.27 ~				
	16059SC-7113	Hex.Socket Bolt (M6*L12)	~ 2011.04.27		O	2	
PSC-AC018900	2011.04.28 ~			O			
E-4-13	08057SW-1111	Washer (@6)	~ 2009.07.28		O	8	
	PWS-AA001400		2009.07.29 ~				

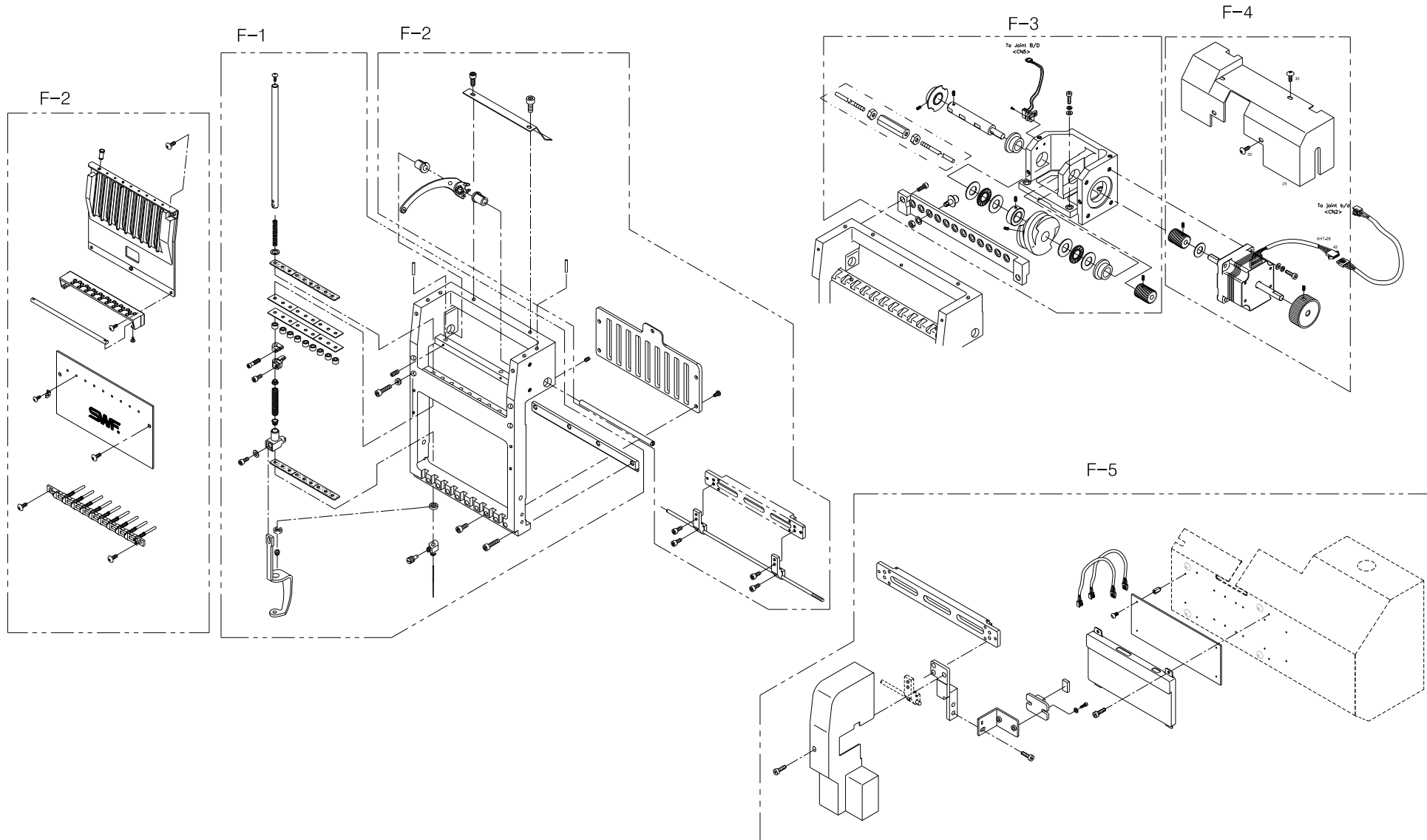
E-5



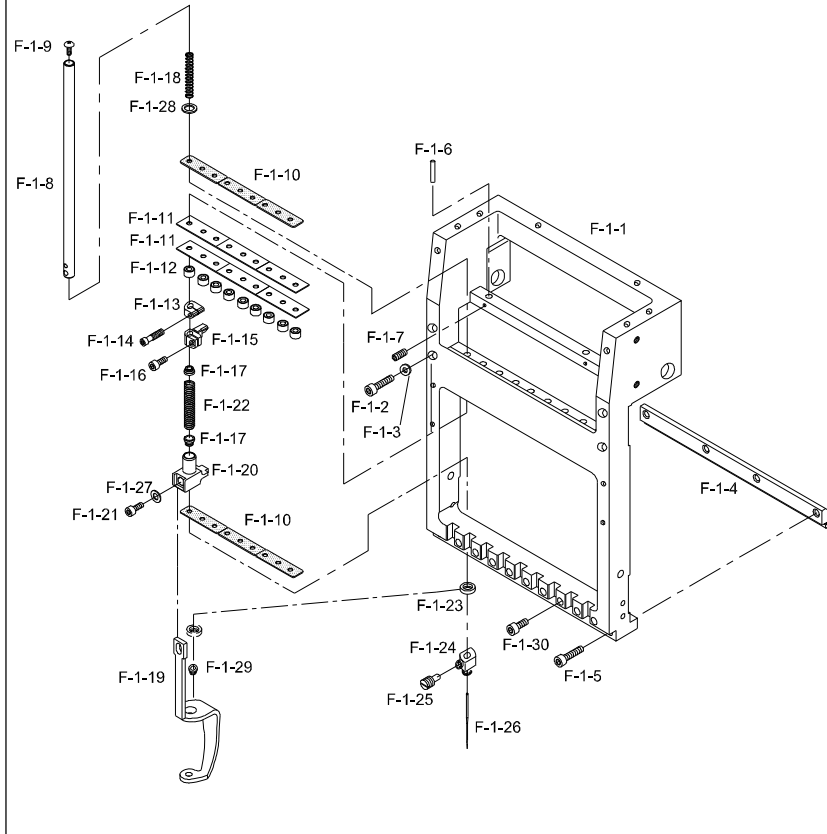
Note

Ref.No	PartNo.	PartName	Application date	Interchangeability	Hardware	Qty	Remarks
E-5-1	SFAM-600-003	Direct Motor				1	
E-5-2	08062SC-7113	HEX. SOCKET BOLT (M5*L20)	~ 2009.06.01		O	4	
	PSC-AC001300		2009.06.02 ~		O		
E-5-3	18048SW-3115	Spring Washer (5@)	~ 2009.07.28		O	4	
	PWS-CA000800		2009.07.29 ~		O		
E-5-4	18049SW-3111	Washer (@5)	~ 2009.07.28		O	4	
	PWS-AA001500		2009.07.29 ~		O		
E-5-5	02106500U040	Sh-65-2				1	
E-5-6	CA-002977-00	Encoder Cable (UK1202)		X		1	
	CA-001828-00	Encoder Cable (UH1204,UK1204)		X		1	
	CA-001828-01			△			
	CA-002978-00	Encoder Cable (UH1206)		X		1	
	CA-002979-00	Encoder Cable (UK1206)		X		1	
CA-002980-00			X		1		
E-5-7	03010800UH80	MAIN MOTOR PULLEY	~ 2011.12.26			1	
	DPL-AH000800		2011.12.27 ~				
E-5-8	04014SC-4517	Hex.Socket Set Screw(M5*L5)	~ 2009.06.07		O	2	
	PSC-CB000300		2009.06.08 ~		O		
E-5-9	GP-012897-00	Motor Fixing	~ 2011.12.26	X		1	
	LMD-BJ000600		2011.12.27 ~				
E-5-10	08091SC-7113	HEX. SOCKET BOLT (M6*L20)	~ 2009.06.01		O	4	
	PSC-AC002000		2009.06.02 ~		O		
E-5-11	16014SW-4115	Spring Washer (@6)	~ 2009.07.28		O	4	
	PWS-CA001000		2009.07.29 ~		O		
E-5-12	08057SW-1111	Washer (@6)	~ 2009.07.28		O	4	
	PWS-AA001400		2009.07.29 ~		O		
E-5-13	03000900U000	Tension Adjusting Block	~ 2011.12.26			1	
	LMD-BK000200		2011.12.27 ~				
E-5-14	14063SC-A001	Tension Control Bolt (M6*L40)			O	1	
E-5-15	08057SW-1111	Washer (@6)	~ 2009.07.28		O	1	
	PWS-AA001400		2009.07.29 ~		O		
E-5-16	08058SN-1311	Hex. Nut (M6-No3)	~ 2010.03.30		O	1	
	PSN-AA003100		2010.03.31 ~		O		
E-5-17	08062SC-7113	Hex. Socket Bolt (M5*L20)	~ 2009.06.01		O	2	
	PSC-AC001300		2009.06.02 ~		O		
E-5-18	18048SW-3115	Spring Washer (5@)	~ 2009.07.28		O	2	
	PWS-CA000800		2009.07.29 ~		O		
E-5-19	18049SW-3111	Washer (@5)	~ 2009.07.28		O	2	
	PWS-AA001500		2009.07.29 ~		O		
E-5-20	GP-012973-00	Main Motor Cover	~ 2007.03.08	X		1	
	GP-016799-00		2007.03.09 ~				
E-5-21	02044SC-3123	Truss Screw (M5*L8)	~ 2009.07.28		O	4	
	PSC-BH000200		2009.07.29 ~		O		

Head & Color Change



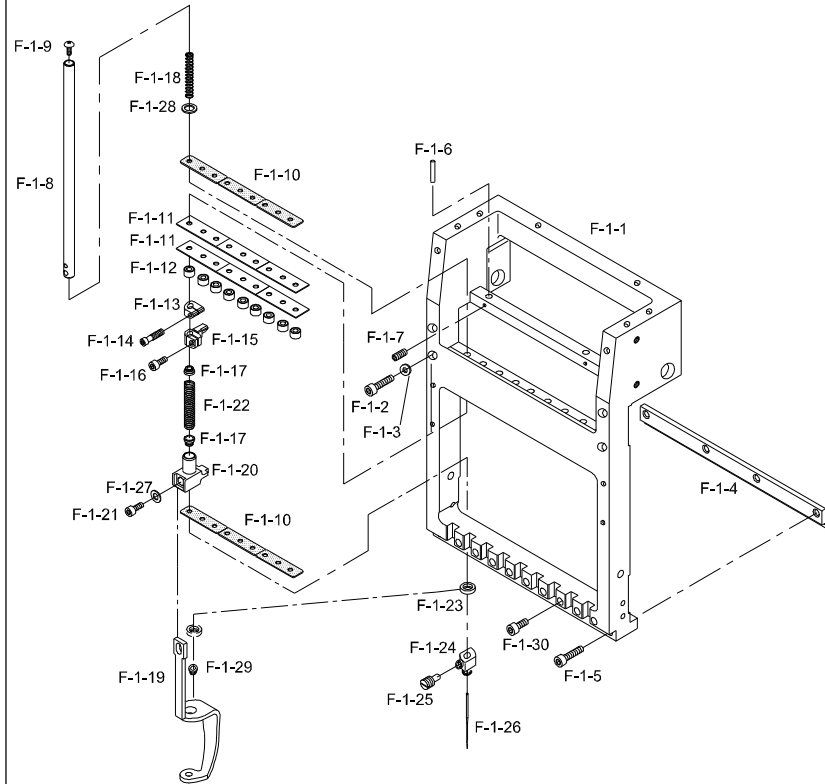
F-1



Note

Ref.No	PartNo.	PartName	Application date	Interchangeability	Hardware	Qty	Remarks
F-1-1	GP-007356-00	Head (6C)	~ 2006.07.20	X		4	
	GP-007356-01		2006.07.21 ~ 2006.11.13	△			
	GP-007356-02		2006.11.14 ~ 2007.03.25	△			
	GP-007356-03		2007.03.26 ~ 2007.11.01	△			
	GP-007356-04		2007.11.02 ~ 2008.09.10				
	GP-007356-05		2008.09.11 ~ 2008.11.02				
	GP-007356-06	2008.11.03 ~					
	GP-011947-00	Head (9C)	~ 2006.11.13	X		4	
	GP-011947-01		2006.11.14 ~ 2007.03.25	△			
	GP-011947-02		2007.03.26 ~ 2007.11.01	△			
	GP-011947-03		2007.11.02 ~ 2008.09.10	△			
	GP-011947-04		2008.09.11 ~ 2008.11.02	△			
GP-011947-05	2008.11.03 ~ 2011.02.24		△				
LHD-AF000300		2011.02.25 ~ 2012.11.26					
LHD-AF000301		2012.11.27 ~					
GP-014937-00	Head (12C)	~ 2006.11.13	X		4		
GP-014937-01		2006.11.14 ~ 2007.03.25	△				
GP-014937-02		2007.03.26 ~ 2007.11.01	△				
GP-014937-03		2007.11.02 ~ 2008.09.10	△				
GP-014937-04		2008.09.11 ~ 2008.11.02	△				
GP-014937-05		2008.11.03 ~ 2011.02.24	△				
LHD-AF001700		2011.02.25 ~ 2012.11.26					
LHD-AF001701		2012.11.27 ~					
GP-007334-00	Head (15C)	~ 2005.01.27	X		4		
GP-007334-01		2005.01.28 ~ 2006.07.20	△				
GP-007334-02		2006.07.21 ~ 2006.11.13	△				
GP-007334-03		2006.11.14 ~ 2007.03.25	△				
GP-007334-04		2007.03.26 ~ 2007.11.01	△				
GP-007334-05		2007.11.02 ~ 2008.09.10	△				
GP-007334-06		2008.09.11 ~ 2008.11.02	△				
GP-007334-07		2008.11.03 ~ 2011.02.24	△				
GP-007334-08	2011.02.25 ~						
F-1-2	05008SC-4113	Hex.Socket Bolt (M4*L16)	~ 2010.12.30		O	16	
	PSC-AC017000		2010.12.31 ~		O		
F-1-3	06003SW-2111	Washer (@4)	~ 2011.02.24		O	16	
	PWS-AA003900		2011.02.25 ~		O		
F-1-4	GP-011944-00	Head Rail	~ 2008.10.21	X		4	
	GP-011944-01		2008.10.22 ~ 2011.02.24	△			
	LHD-BP000500		2011.02.25 ~				
	GP-014096-00	Head Rail (12C)	~ 2008.10.21	X		4	
	GP-014096-01		2008.10.22 ~ 2011.02.24	△			
LHD-BP002200		2011.02.25 ~					

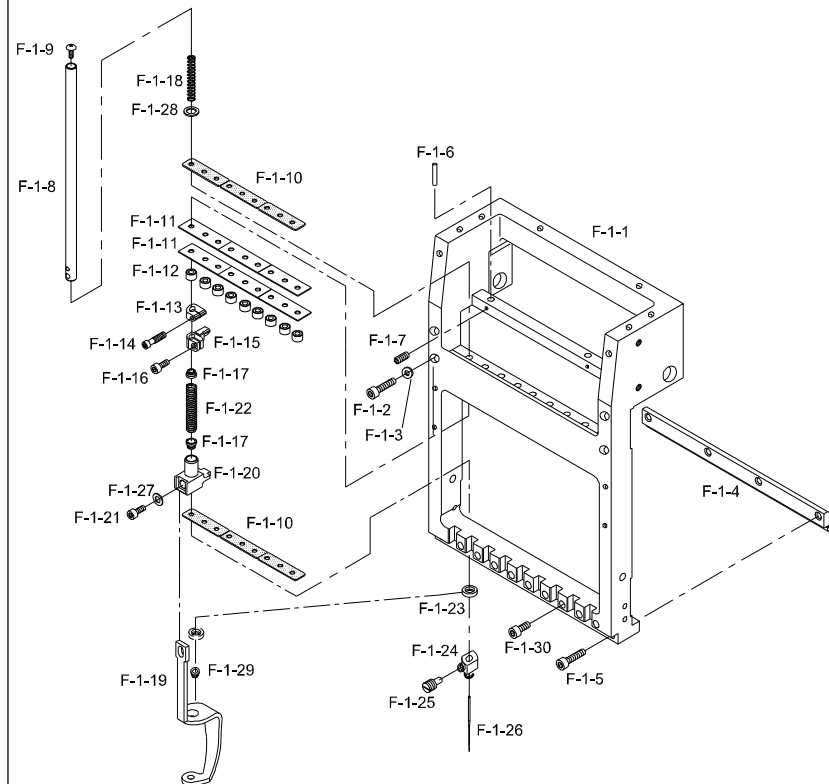
F-1



Note

Ref.No	PartNo.	PartName	Application date	Interchangeability	Hardware	Qty	Remarks
F-1-5	SC-000417-00	Hex. Socket Bolt (M4*L23)	~ 2010.03.30	X	O	8	
	DSC-BJ002100		2010.03.31 ~		O		
F-1-6	05015CW-A001	Head Base Pin(@5*L15)	~ 2011.02.24		O	8	
	DPN-AA018600		2011.02.25 ~		O		
F-1-7	03022SC-4517	Hex. Socket Set Screw (M4*L5)	~ 2009.08.27		O	8	
	PSC-CB000600		2009.08.28 ~		O		
F-1-8	LNB-KA000100	Needle Bar		X		36	
	LNB-KA000101			△			
F-1-9	05019SC-A001	Needle Bar Cover Screw (M5*L6)	~ 2011.02.24		O	36	
	PSC-BH001700		2011.02.25 ~		O		
F-1-10	05021SF-A001	FELT	~ 2010.04.13			30	
	GP-043764-00		2010.04.14 ~ 2011.02.24				
	LLB-JL000300		2011.02.25 ~				
F-1-11	05023RB-A001	Needle Bar Cushion Rubber "A"	~ 2011.02.24			30	
	LNB-BJ000100		2011.02.25 ~				
F-1-12	05024RB-A001	Needle Bar Cushion Rubber "B"	~ 2011.02.24			36	
	LNB-BN000200		2011.02.25 ~				
F-1-13	11101200T000	Upper Dead Point Stopper	~ 2011.02.24			36	
	LNB-BB000200		2011.02.25 ~				
F-1-14	05026SC-4113	Stopper Screw (9/64-11.5)	~ 2010.12.30			36	
	DSC-AC003200		2010.12.31 ~				
F-1-15	GP-044777-00	Needle Bar Holder	~ 2010.02.08	X		36	
	GP-044777-01		2010.02.09 ~ 2011.02.24				
	LNB-BF000101		2011.02.25 ~				
F-1-16	05028SC-4113	Holder Screw (9/64-L8)	~ 2011.02.24			36	
	DSC-AC003300		2011.02.25 ~				
F-1-17	05021PM-H001	Presser Foot Spring Guide	~ 2011.02.24			90	
	LPF-BN000200		2011.02.25 ~				
F-1-18	GP-021613-00	Needle Bar Return Spring	~ 2011.02.24	X		36	
	DSP-AA014100		2011.02.25 ~				
F-1-19	GP-037972-00	PRESSER FOOT	~ 2009.05.06	X		36	
	GP-037972-01		2009.05.07 ~ 2011.02.24	△			
	LPF-GC000500		2011.02.25 ~ 2011.07.21				
	LPF-GC000501		2011.07.22 ~				
F-1-20	GP-020670-00	Presser Foot Holder A'ssy	~ 2011.02.24	X		36	
	LPF-BF000100		2011.02.25 ~				
F-1-21	05026SC-H001	Presser Foot Bolt	~ 2011.02.24			36	
	DSC-BF016800		2011.02.25 ~				
F-1-22	GP-021614-00	PRESSER FOOT PRESSURE SPRING	~ 2011.02.24	X		36	
	DSP-AA013800		2011.02.25 ~				

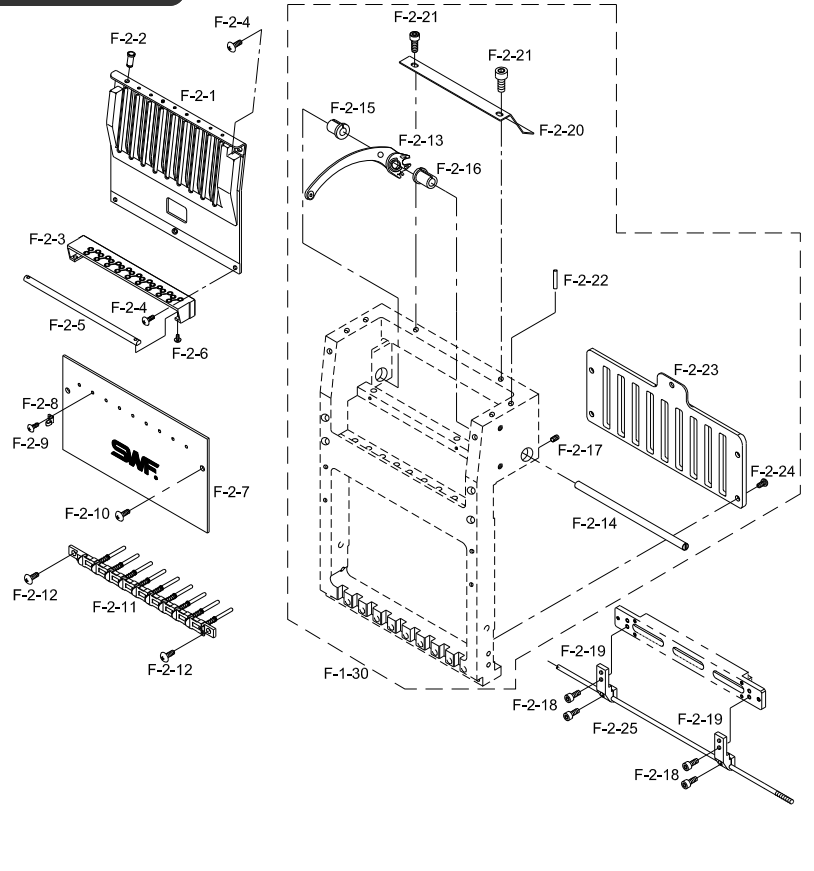
F-1



Ref.No	PartNo.	PartName	Application date	Interchangeability	Hardware	Qty	Remarks
F-1-23	08201200H000	Presser Foot Cushion Rubber A	~ 2011.02.24			36	
	LPF-FA000100		2011.02.25 ~				
F-1-24	05036CW-A001	Needle Fixed Holder Set	~ 2011.02.24			36	
	BNB-PS000600		2011.02.25 ~				
F-1-25	05363SC-A001	Needle Fixed Screw (A/S)	~ 2011.02.24			36	
	DSC-FF003700		2011.02.25 ~				
F-1-26	05037DB-A001	Needle (Db-K5, #11)	~ 2011.02.24		O	36	
	PTC-CA001300		2011.02.25 ~		O		
F-1-27	05027PR-H001	PRESSER FOOT HOLDER WASHER	~ 2010.03.30			36	
	DWS-AA004800		2010.03.31 ~				
F-1-28	05022SW-A001	SPRING SHOE WASHER	~ 2011.02.24			36	
	DWS-AA020300		2011.02.25 ~				
F-1-29	05031AF-A001	PRESSER FOOT GUIDE BUSH	~ 2011.02.24			36	
	DBS-DB011000		2011.02.25 ~				
F-1-30	SC-000417-00	Hex.Socket Bolt(M4)	~ 2010.03.30	X	O	8	
	DSC-BJ002100		2010.03.31 ~		O		
F-1-31	AS-015430-00	Head Assy		X		4	

Note

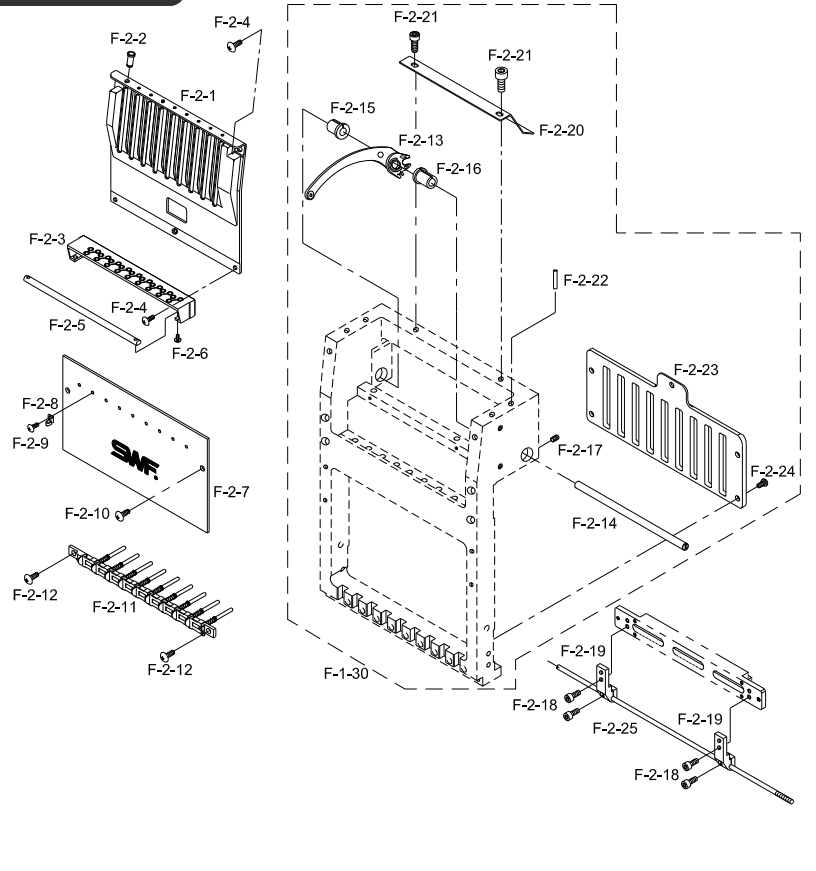
F-2



Note

Ref.No	PartNo.	PartName	Application date	Interchangeability	Hardware	Qty	Remarks
F-2-1	10200103B000	Head Face Plate (U) 9C	~ 2011.02.24			4	
	LHD-BJ000300		2011.02.25 ~				
F-2-2	10200100H000	Thread Guide Bush "A-1"	~ 2011.02.24			45	
	DBS-DB011300		2011.02.25 ~				
F-2-3	AS-000483-00	Thread Guide (M) Set (6C)	~ 2007.05.09			4	
	AS-000483-01		2007.05.10 ~ 2007.06.17				
	AS-000483-02		2007.06.18 ~ 2008.12.10				
	AS-000483-03		2008.12.11 ~ 2009.01.29				
	AS-000483-04		2009.01.30 ~ 2009.02.16				
	AS-000483-05		2009.02.17 ~ 2010.01.25				
	AS-000483-06		2010.01.26 ~ 2010.08.12				
	AS-000483-07		2010.08.13 ~ 2011.03.28				
	BHD-PS001500		2011.03.29 ~				
	AS-000484-00		~ 2007.05.09				
	AS-000484-01		2007.05.10 ~ 2007.06.17				
	AS-000484-02		2007.06.18 ~ 2007.08.28				
	AS-000484-03		2007.08.29 ~ 2008.12.10				
	AS-000484-04		2008.12.11 ~ 2008.12.11				
	AS-000484-05		2008.12.11 ~ 2009.01.13				
AS-000484-06	2009.01.14 ~ 2009.01.29						
AS-000484-07	2009.01.30 ~ 2009.02.16						
AS-000484-08	2009.02.17 ~ 2010.01.25						
AS-000484-09	2010.01.26 ~ 2010.08.12						
AS-000484-10	2010.08.13 ~ 2011.03.28						
F-2-3	BHD-PS000700		2011.03.29 ~				
F-2-3	AS-000485-00	Thread Guide (M) Set (12C)	~ 2007.05.09			4	
	AS-000485-01		2007.05.10 ~ 2007.06.17				
	AS-000485-02		2007.06.18 ~ 2008.12.10				
	AS-000485-03		2008.12.11 ~ 2009.01.13				
	AS-000485-04		2009.01.14 ~ 2009.01.29				
	AS-000485-05		2009.01.30 ~ 2009.02.16				
	AS-000485-06		2009.02.17 ~ 2010.01.25				
	AS-000485-07		2010.01.26 ~ 2010.08.12				
	AS-000485-08		2010.08.13 ~ 2011.03.28				
	BHD-PS002700		2011.03.29 ~				
	AS-000486-00		~ 2007.05.09				
	AS-000486-01		2007.05.10 ~ 2007.06.17				
	AS-000486-02		2007.06.18 ~ 2008.12.10				
	AS-000486-03		2008.12.11 ~ 2009.01.19				
	AS-000486-04		2009.01.20 ~ 2009.01.29				
AS-000486-05	2009.01.30 ~ 2009.02.16						
AS-000486-06	2009.02.17 ~ 2010.01.25						
AS-000486-07	2010.01.26 ~ 2010.08.12						
AS-000486-08	2010.08.13 ~ 2011.03.28						
BHD-PS001900	2011.03.29 ~						

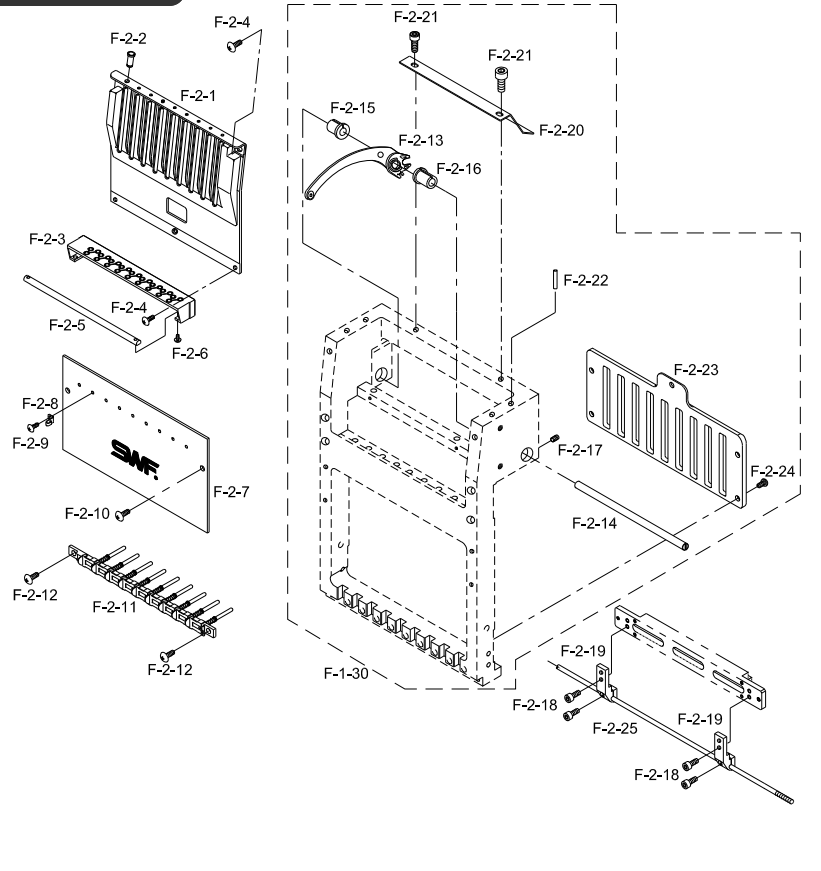
F-2



Note

Ref.No	PartNo.	PartName	Application date	Interchangeability	Hardware	Qty	Remarks	
F-2-4	SC-001625-00	Thread Guide (M) Screw (9/64 n=40)	~ 2009.03.02			8		
	SC-001625-01		2009.03.03 ~ 2011.02.24					
	DSC-AC004000		2011.02.25 ~					
F-2-5	GP-044297-00	Thread Guide Shaft (6C)	~ 2008.12.15			4		
	GP-044297-01		2008.12.16 ~ 2009.01.29					
	GP-044297-02		2009.01.30 ~ 2009.02.16					
	GP-044297-03		2009.02.17 ~ 2011.02.24					
	LHD-KC000200		2011.02.25 ~					
	F-2-5	GP-044298-00	Thread Guide Shaft (9C)	~ 2008.12.15			4	
		GP-044298-01		2008.12.16 ~ 2009.01.29				
		GP-044298-02		2009.01.30 ~ 2009.02.16				
	F-2-5	LHD-KC000100	Thread Guide Shaft (12C)	2009.02.17 ~ 2011.02.24			4	
		ST-000002-00		~ 2009.01.29				
ST-000002-01		2009.01.30 ~ 2009.02.16						
ST-000002-02		2009.02.17 ~ 2011.02.24						
F-2-5	LHD-KC000400	Thread Guide Shaft (15C)	2011.02.25 ~			4		
	GP-044299-00		~ 2008.12.15					
	GP-044299-01		2008.12.16 ~ 2009.01.29					
	GP-044299-02		2009.01.30 ~ 2009.02.16					
	GP-044299-03		2009.02.17 ~ 2011.02.24					
F-2-6	13054SC-3123	Truss Screw (M3 X L8)	~ 2011.03.28		O	16		
	PSC-BH002200		2011.03.29 ~		O			
F-2-7	GP-007194-00	Head Face Plate(L)	~ 2006.01.22			4		
	GP-007194-01		2006.01.23 ~ 2006.04.05					
	GP-007194-02		2006.04.06 ~ 2006.06.11					
	GP-007194-03		2006.06.12 ~ 2009.04.05					
	GP-007194-04		2009.04.06 ~ 2010.06.09					
	GP-007194-05		2010.06.10 ~ 2011.02.24					
	LHD-BJ001500		2011.02.25 ~ 2011.09.08					
F-2-8	11012PR-B001	Thread Guide	~ 2011.02.24			45		
	LHD-HK000100		2011.02.25 ~					
F-2-9	09005SC-3123	Truss Bolt (M3*L5)	~ 2009.10.28		O	45		
	DSC-BH000300		2009.10.29 ~					
F-2-10	05070SC-3123	HEAD FACE PLATE (U) SCREW	~ 2010.12.30			8		
	PSC-BH001800		2010.12.31 ~					
F-2-11	10900003I000	Thread Holding Device A'ssy	~ 2011.02.24			4		
	BTP-PS000500		2011.02.25 ~					
F-2-12	05070SC-3123	Truss Bolt 9/64 n=40	~ 2010.12.30			8		
	PSC-BH001800		2010.12.31 ~					

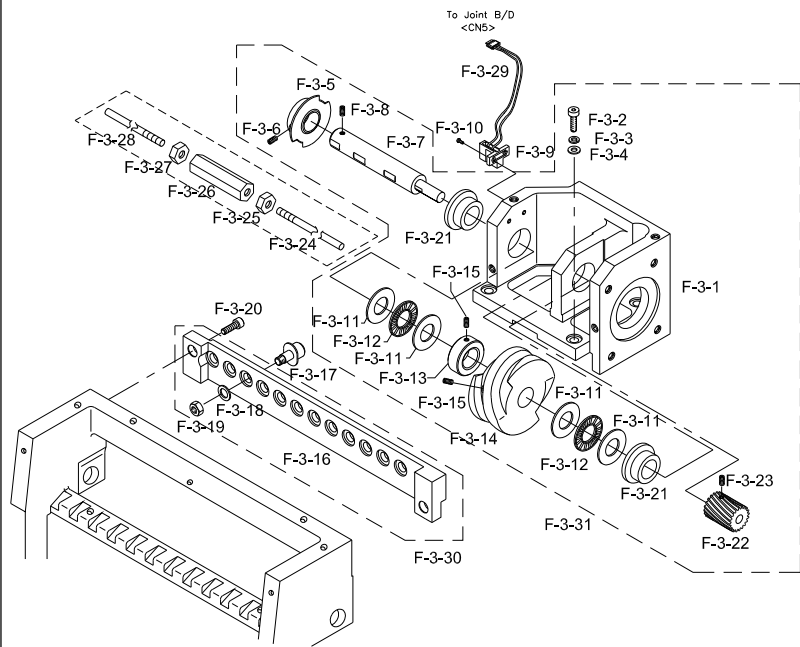
F-2



Note

Ref.No	PartNo.	PartName	Application date	Interchangeability	Hardware	Qty	Remarks
F-2-13	07005BM-B002	Take-Up Lever Set	~ 2011.02.24			45	
	BTH-PS000400		2011.02.25 ~ 2011.07.18				
F-2-14	08200503A000	Take-Up Lever Shaft (9C)	~ 2011.02.24			4	
	LTH-KC000100		2011.02.25 ~				
F-2-15	08203000A000	Take-Up Lever Shaft Bush(L)	~ 2011.02.24			4	
	DBS-DB010500		2011.02.25 ~				
F-2-16	08200800A000	Take-Up Lever Shaft Bush(R)	~ 2011.02.24			4	
	DBS-DB010600		2011.02.25 ~				
F-2-17	07009SC-4517	Hex. Socket Bolt (M5*L6)	~ 2010.03.30		O	8	
	PSC-CB002300		2010.03.31 ~		O		
F-2-18	02015SC-7113	Hex.Socket Bolt (M4*L8)	~ 2009.09.28		O	20	
	PSC-AC007100		2009.09.29 ~		O		
F-2-19	GP-011945-00	Color Change Bracket "B"	~ 2011.02.24			8	
	LCC-BB000100		2011.02.25 ~ 2011.07.18				
F-2-20	GP-037186-00	Cable Support "B"	~ 2011.02.24			4	
	LHD-BJ001600		2011.02.25 ~				
F-2-21	02023SC-7113	Hex.Socket Bolt (M4*L5)	~ 2009.07.28		O	8	
	PSC-AC004100		2009.07.29 ~		O		
F-2-22	01303700H000	TENSION PLATE PIN	~ 2011.02.24			8	
	DPN-AA018700		2011.02.25 ~				
F-2-23	GP-008539-00	Needle Bar Guide Rail (6C)				4	
	GP-011931-00	Needle Bar Guide Rail (9C)	~ 2011.02.24			4	
	LHD-BP000600		2011.02.25 ~				
	GP-014095-00	Needle Bar Guide Rail (12C)	~ 2011.02.24			4	
F-2-24	05041SC-A001	Bolt (9/64 n=40)	~ 2011.02.24		O	20	
	PSC-BH001500		2011.02.25 ~		O		
F-2-25	05000103UK00	Color Change Shaft (6C)				1	
	23007SH-UK01	Color Change Shaft (12C)				1	
	23007SH-UK14	Color Change Shaft (15C)				1	
	06000104UH60	Color Change Shaft (@6*L2237)	~ 2009.04.13			1	
	ST-000067-00	(UH1206C)	2009.04.14 ~				
06000105UH60	Color Change Shaft (@6*L2282)	~ 2009.04.13			1		
ST-000068-00	(UH1506C)	2009.04.14 ~					

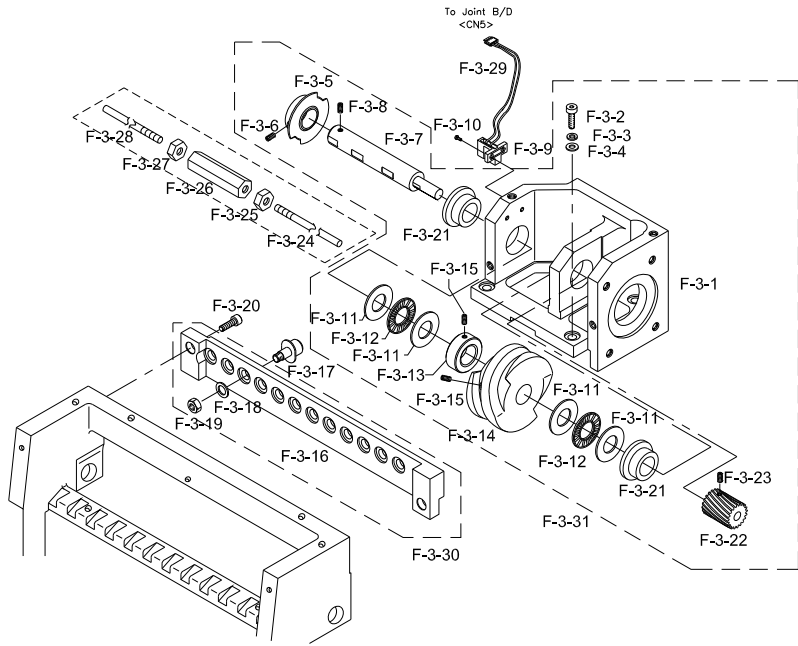
F-3



Note

Ref.No	PartNo.	PartName	Application date	Interchangeability	Hardware	Qty	Remarks
F-3-1	13001CA-UK06	Color Change Base	~ 2011.02.27			1	
	LCC-BA000100		2011.02.28 ~				
F-3-2	05008SC-4113	Hex.Socket Bolt (M4*L16)	~ 2010.12.30		O	4	
	PSC-AC017000		2010.12.31 ~		O		
F-3-3	18014SW-3115	Spring Washer (@4-No2)	~ 2009.07.28		O	4	
	PWS-CA000900		2009.07.29 ~		O		
F-3-4	18015SW-3111	Washer (4@)	~ 2009.06.07		O	4	
	PWS-AA001000		2009.06.08 ~		O		
F-3-5	13032AD-UK06	Color Change Film Set	~ 2011.02.24			1	
	BCC-PS001000		2011.02.25 ~				
F-3-6	04014SC-4517	Hex.Socket Set Screw(M5*L5)	~ 2009.06.07		O	2	
	PSC-CB000300		2009.06.08 ~		O		
F-3-7	13007CW-UK06	Color Change Shaft	~ 2011.02.24			1	
	LCC-KF000200		2011.02.25 ~ 2011.03.10				
F-3-8	08113SC-A001	Collar Screw	~ 2010.12.30			1	
	PSC-CB005000		2010.12.31 ~				
F-3-9	08102300B000	Half Turn Sensor (Gp1S51V)				1	
F-3-10	08006SC-8118	Plus Screw (M3*L5)	~ 2010.12.30		O	2	
	PSC-BD001100		2010.12.31 ~		O		
F-3-11	13010BR-T121	Washer(@12*@26*1T)	~ 2009.07.28			4	
	PWS-AA001100		2009.07.29 ~				
F-3-12	13041BR-UK01	Washer(12*@26*1T)	~ 2009.07.28			2	
	PBR-BB000100		2009.07.29 ~				
F-3-13	13010CW-UK06	Color Change Collar	~ 2011.02.24			1	
	DCL-AA011500		2011.02.25 ~				
F-3-14	13005CM-UK06	Color Change Cam	~ 2011.03.28			1	
	LCC-DG000300		2011.03.29 ~				
F-3-15	04012AF-A001	Hook Shaft Bush Screw	~ 2010.12.30			5	
	DSC-CB003200		2010.12.31 ~				
F-3-16	08103102C010	Color Change Roller Base (6C)				1	
	13026CL-D104	Color Change Roller Base (9C)	~ 2011.03.28				
	LCC-BA000400		2011.03.29 ~ 2012.08.13				
	LCC-BA000401	2012.08.14 ~					
	13026CL-UK06	~ 2009.05.07					
	GP-044782-00	2009.05.08 ~ 2011.03.28					
	LCC-BA000300	2011.03.29 ~ 2012.08.13					
	LCC-BA000301	2012.08.14 ~					
	13026CL-UK16	~ 2011.03.28					
	LCC-BA000200	2011.03.29 ~ 2012.08.13					
LCC-BA000201	2012.08.14 ~						

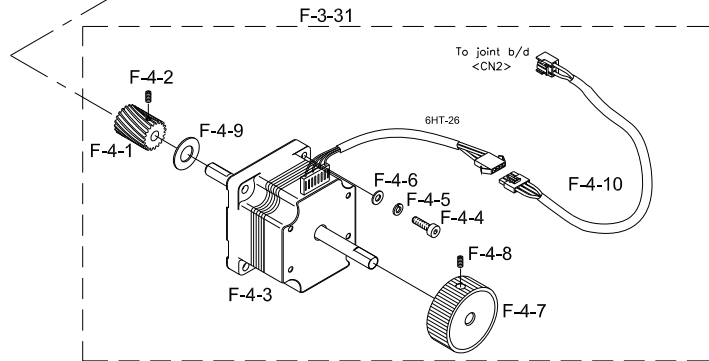
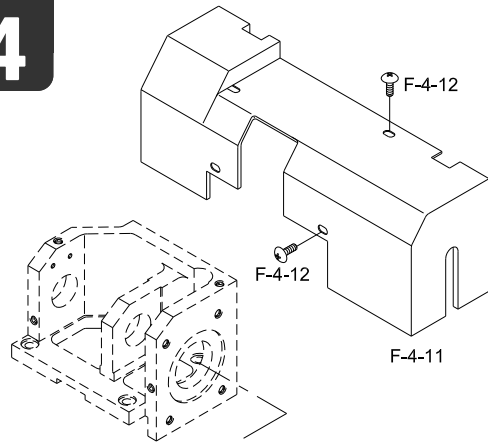
F-3



Note

Ref.No	PartNo.	PartName	Application date	Interchangeability	Hardware	Qty	Remarks
F-3-17	15029AF-T121	Roller Set	~ 2008.04.07			12	
	GP-037692-00		2008.04.08 ~ 2011.02.24				
	LCC-CL000200		2011.02.25 ~				
F-3-18	18048SW-3115	Spring Washer (@5)	~ 2009.07.28		O	12	
	PWS-CA000800		2009.07.29 ~		O		
F-3-19	12010SN-1211	Hex.Nut (M5)	~ 2009.10.28		O	12	
	PSN-AA002600		2009.10.29 ~		O		
F-3-20	18047SC-7113	Hex/ Socket Bolt (M5*L15)	~ 2009.07.28		O	2	
	PSC-AC003900		2009.07.29 ~		O		
F-3-21	GP-006252-00	Color Change Bushing	~ 2011.02.24	X		2	
	DBS-DB012600		2011.02.25 ~				
F-3-22	13021GA-UK06	Color Change Gear (R)	~ 2009.04.12			1	
	GR-000005-00		2009.04.13 ~ 2011.02.24				
	DGR-AB002300		2011.02.25 ~				
F-3-23	08113SC-A001	Collar Screw	~ 2010.12.30			2	
	PSC-CB005000		2010.12.31 ~				
F-3-24	05000103UK00	Color Change Shaft (UK604)				1	
	23007SH-UK01	Color Change Shaft (UK1204)					
	23007SH-UK14	Color Change Shaft (UK1504)					
	06000102UK60	Color Change Shaft "A" (UK606,UK906)					
	23012SH-UK06	Color Change Shaft "A" (UK1206)	~ 2011.02.24				
	LCC-KC001500	Color Change Shaft "A" (UK1506)	2011.02.25 ~				
	23012SH-UK16	Color Change Shaft "A" (UK1506)	~ 2011.02.24				
LCC-KC001300	Color Change Shaft "A" (UK1506)	2011.02.25 ~					
F-3-25	17053SN-1111	Hex. Nut(L) (M6*T5-L) (UK1206)	~ 2011.02.24		O	1	
	PSN-AA004300		2011.02.25 ~		O		
F-3-26	17051SN-A001	Mes Priving Shaft Joint (UK1206)	~ 2011.02.24			1	
	DSN-CG000300		2011.02.25 ~				
F-3-27	13042SN-1111	Hex.Nut (M6*T5-R) (UK1206)	~ 2009.07.28		O	1	
	PSN-AA001300		2009.07.29 ~		O		
F-3-28	06000202UK60	Color Change Shaft "B" (UK606)				1	
	23013SH-UK06	Color Change Shaft "B" (UK906)	~ 2011.02.24				
	LCC-KC001600	Color Change Shaft "B" (UK1206)	2011.02.25 ~				
	23013SH-UK16	Color Change Shaft "B" (UK1506)	~ 2011.02.24				
LCC-KC001400	Color Change Shaft "B" (UK1506)	2011.02.25 ~					
F-3-29	25037EL-UK01	Half Turn Cable (2Ht-36) (UK1202)				1	
	25033EL-UK06	Cable (25-33) (UK1206)				1	
F-3-30	05000004U000	Color Change Roller Base Assy				1	
F-3-31	AS-004640-00	Color Change Motor Assy	~ 2017.06.21	X		1	
	AS-004640-01		2017.06.22 ~ 2017.09.20				
	AS-004640-02		2017.09.21 ~				

F-4

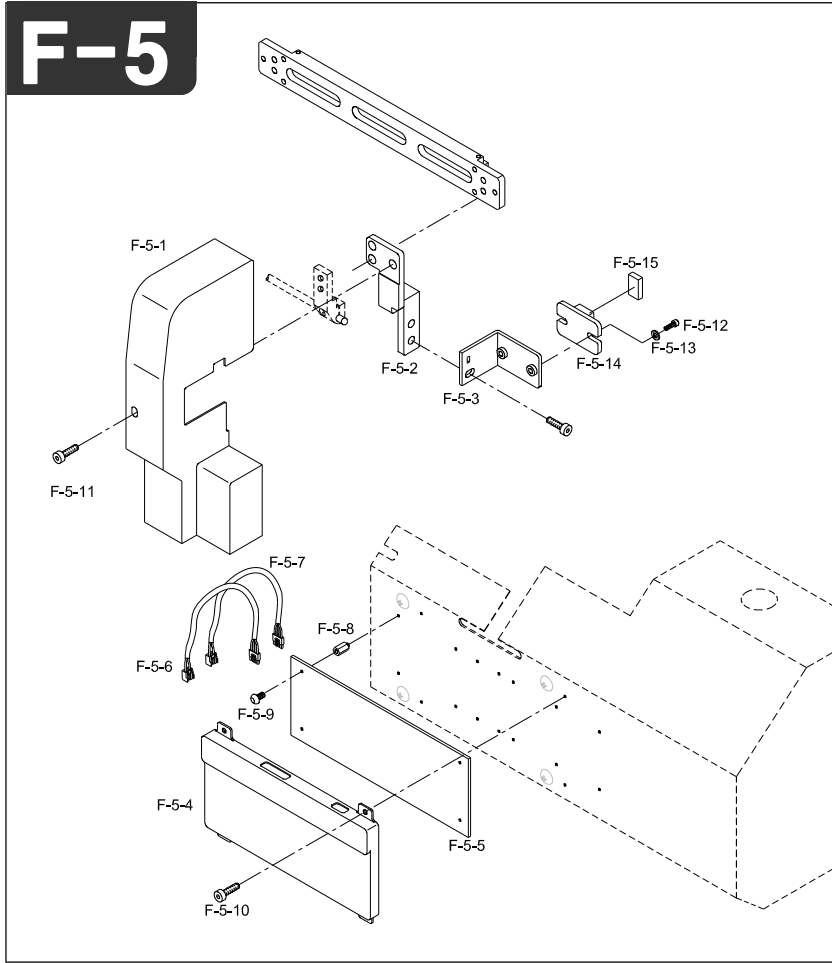


Note

Ref.No	PartNo.	PartName	Application date	Interchangeability	Hardware	Qty	Remarks
F-4-1	13020GA-UK06	Color Change Gear (L)				1	
F-4-2	08113SC-A001	Collar Screw	~ 2010.12.30		O	2	
	PSC-CB005000		2010.12.31 ~		O		
F-4-3	EP-000140-00	Color Change Motor	~ 2016.12.28	X		1	
	MO-000064-00		2016.12.29 ~				
F-4-4	05008SC-4113	Hex.Socket Bolt (M4*L16)	~ 2010.12.30		O	4	
	PSC-AC017000		2010.12.31 ~		O		
F-4-5	02028SW-9115	Spring Washer (@4)	~ 2009.07.28		O	4	
	PWS-CA000700		2009.07.29 ~		O		
F-4-6	05009SW-1111	Washer (@4-L)	~ 2011.02.24		O	4	
	PWS-AA004400		2011.02.25 ~		O		
F-4-7	13022AD-UK06	Color Change Passivity Handle	~ 2011.02.24			1	
	DTC-AB000200		2011.02.25 ~				
F-4-8	03020SC-A001	Drive Pin Screw 11/64,N40,L8	~ 2010.12.30		O	2	
	PSC-CB004900		2010.12.31 ~		O		
F-4-9	13019PR-A001	Half Turm Film Washer (T1.0)	~ 2011.02.24			1	
	DWS-AA020200		2011.02.25 ~				
F-4-10	25029EL-UK01	C/C Motor Cable (2Ht-28) (UK1202)(UK1204)				1	
	25025EL-UK06	Cable (25-25) (UK1206) (UH1506C)				1	
F-4-11	GP-011303-00	Color Change Cover (UK1202)(UK1204)		X		1	
	GP-011777-00	Color Change Cover (UK1206)(UH1506C)		X		1	
	GP-059765-00	Color Change Cover	~ 2016.11.04			1	
	GP-059765-01		2017.04.05 ~ 2018.12.26				
GP-059765-02	2018.12.27 ~						
F-4-12	04006MC-9123	TRUSS SCREW(M4*L6) SUS			O	4	



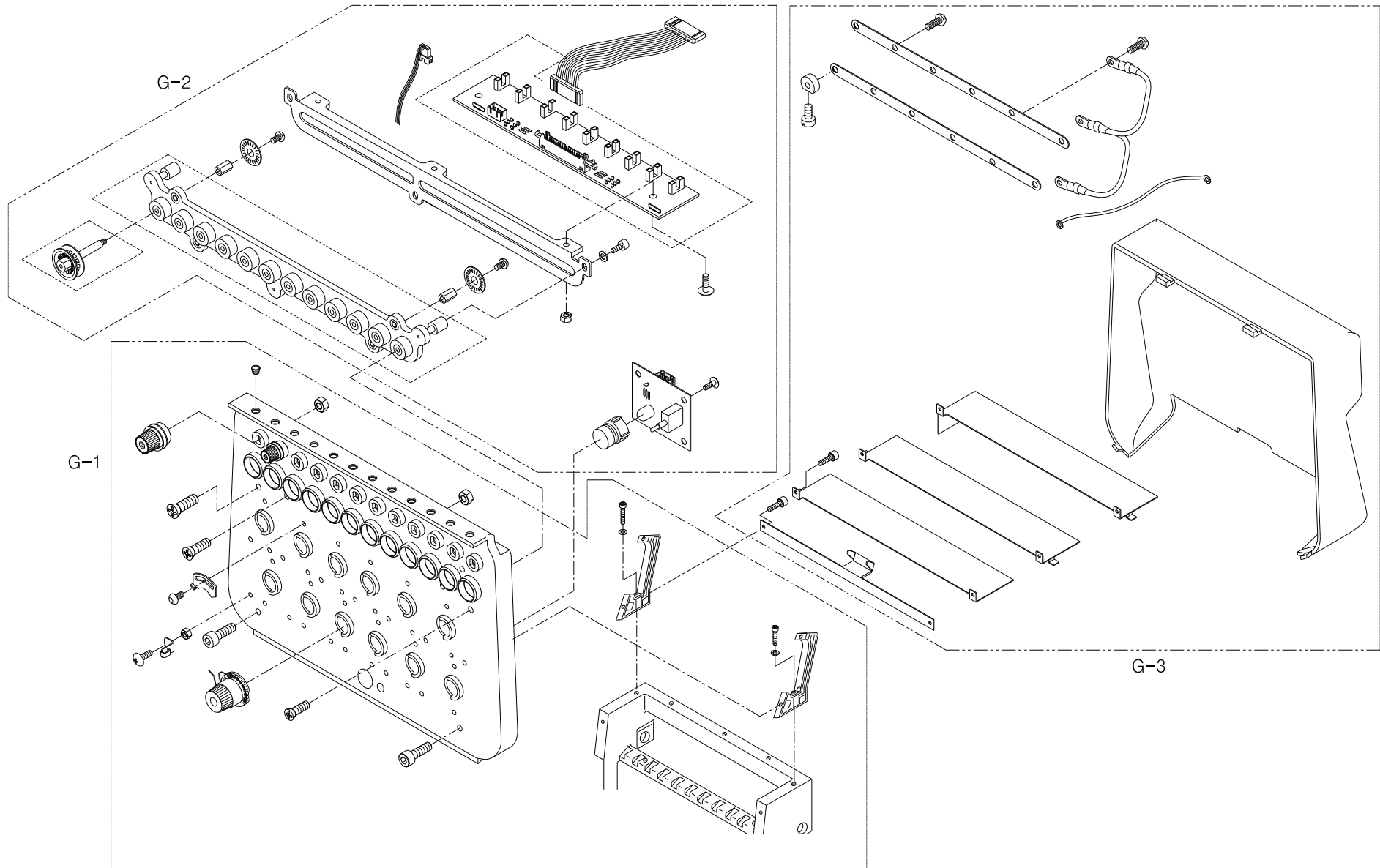
F-5



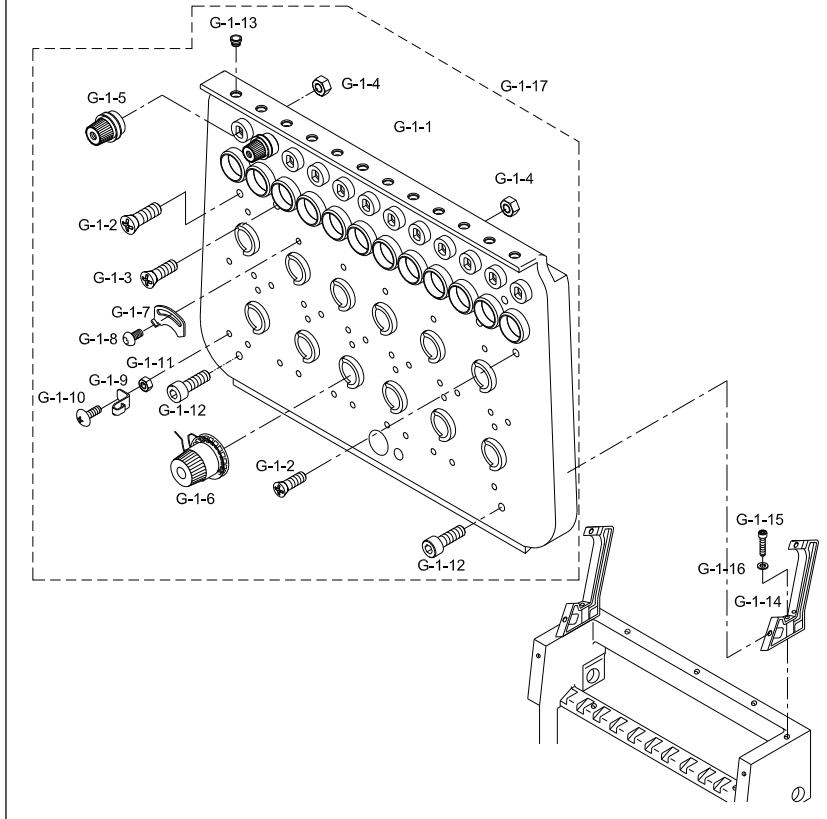
Note

Ref.No	PartNo.	PartName	Application date	Interchangeability	Hardware	Qty	Remarks
F-5-1	AS-015267-00	Upper Shaft Cover (R) Ass'y	~ 2008.12.16	X		1	
	AS-015267-01		2008.12.17 ~ 2008.12.25	△			
	AS-015267-02		2008.12.26 ~ 2009.01.04	△			
	AS-015267-03		2009.01.05 ~ 2009.11.08	△			
	AS-015267-04		2009.11.09 ~ 2011.10.06				
	AS-015267-05		2011.10.07 ~ 2012.09.18				
	AS-015267-06		2012.09.19 ~ 2017.08.24				
F-5-2	GP-044170-00	Upper Shaft Cover(R) Bracket	~ 2017.08.24	X		1	
	GP-044170-01		2017.08.25 ~				
F-5-3	GP-044171-00	Upper Shaft Cover(R) Bracket		X		1	
F-5-4	13060ET-A005	Color Change Board Cover	~ 2011.02.24			1	
	LCC-LA000300		2011.02.25 ~				
F-5-5	BD-000821-00	Needle Position Board	~ 2012.11.23	X		1	
	BD-000821-01		2012.11.24 ~				
	BD-000809-00	Needle Position Board	~ 2009.11.23	X		1	
	BD-000809-01		2009.11.24 ~ 2012.08.15				
	BD-000820-00	Needle Position Board	~ 2009.11.23	X		1	
	BD-000820-01		2009.11.24 ~ 2012.08.15				
	BD-000820-02		2012.08.16 ~				
F-5-5	BD-000813-00	Needle Position Board	~ 2009.11.23	X		1	
	BD-000813-01		2009.11.24 ~ 2012.08.15				
F-5-5	BD-000813-02	Needle Position Board	2012.08.16 ~				
F-5-6	CA-008403-00	Half turn sensor to N/P Board Cable		X		1	
F-5-7	CA-001620-00	C/C Board TO N/P Board Cable	~ 2012.11.05	X		1	
	CA-001620-01		2012.11.06 ~				
F-5-8	GP-008534-00	Stud Bolt	~ 2011.02.24	X		6	
	DSC-HC001900		2011.02.25 ~				
F-5-9	06040SC-8118	Plus Screw (M3 X L4)			O	6	
F-5-10	13020SC-A001	Hex.Socket Bolt (M3*L7)	~ 2011.02.24		O	4	
	PSC-AC017300		2011.02.25 ~		O		
F-5-11	02014SC-7113	Hex.Socket Bolt (M4*L5)	~ 2010.10.28		O	3	
	PSC-AC016100		2010.10.29 ~		O		
F-5-12	22006SC-7113	Hex.Socket Bolt (M3*L8)	~ 2009.07.28		O	2	
	PSC-AC002800		2009.07.29 ~		O		
F-5-13	06011SW-2111	Washer (@3)	~ 2009.09.28		O	2	
	PWS-AA001900		2009.09.29 ~		O		
F-5-14	13036PR-A001	Magnet Holder	~ 2011.02.24			1	
	LCC-BF000100		2011.02.25 ~				
F-5-15	10-027C-SC53	Magnet	~ 2010.12.30			1	
	PTC-AK000300		2010.12.31 ~				

Thread Tension Unit



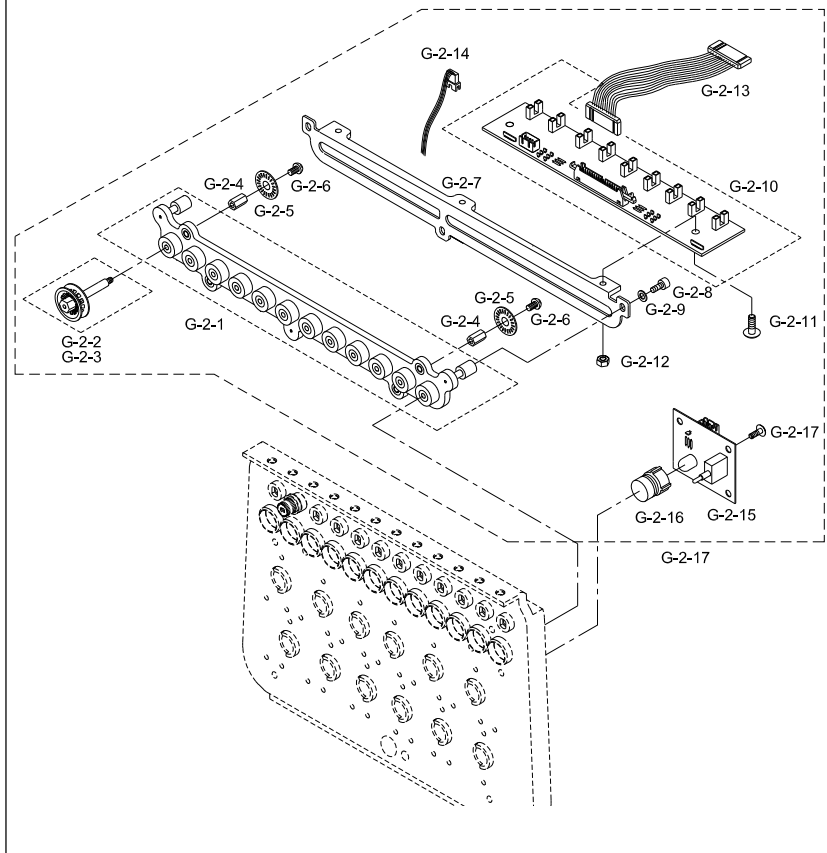
G-1



Note

Ref.No	PartNo.	PartName	Application date	Interchangeability	Hardware	Qty	Remarks
G-1-1	08300102I000	TENSION UNIT PLATE (6C)				4	
	08300103I000	TENSION UNIT PLATE (9C)	~ 2012.08.05				
	LTA-BJ000100	TENSION UNIT PLATE (12C)	2012.08.06 ~				
	08300104I000	TENSION UNIT PLATE (12C)	~ 2013.01.24				
	LTA-BJ001000	TENSION UNIT PLATE (15C)	2013.01.25 ~				
	08300105I000	TENSION UNIT PLATE (15C)	~ 2013.01.24				
G-1-2	15089SC-7119	C.S Screw (M4*L10)	~ 2011.04.27		O	8	
	PSC-BB003000	C.S Screw (M4*L10)	2011.04.28 ~		O		
G-1-3	02002SC-7119	Plus Screw (M4*L8)	~ 2010.12.30		O	20	
	PSC-BB002100	Plus Screw (M4*L8)	2010.12.31 ~		O		
G-1-4	03031SN-A001	Pin. Nut (11/64,N=40)	~ 2010.03.30			48	
	DSN-AA001600	Pin. Nut (11/64,N=40)	2010.03.31 ~				
G-1-5	08320000I000	SUB TENSION ADJUSTING SET	~ 2012.08.05			48	
	BTA-PS000300	SUB TENSION ADJUSTING SET	2012.08.06 ~				
G-1-6	08310000B000	TENSION ADJUSTING SET	~ 2012.08.30			48	
	BTA-PS001200	TENSION ADJUSTING SET	2012.08.31 ~				
G-1-7	11009PR-B001	Thread Breakage Detecting Plat	~ 2012.08.05			48	
	LTA-BJ000500	Thread Breakage Detecting Plat	2012.08.06 ~				
G-1-8	09005SC-3123	Truss Screw (M3*L6)	~ 2009.10.28		O	48	
	DSC-BH000300	Truss Screw (M3*L6)	2009.10.29 ~		O		
G-1-9	11012PR-B001	Thread Guide (New) (12C)	~ 2011.02.24			120	
	LHD-HK000100	Thread Guide (New) (12C)	2011.02.25 ~				
G-1-10	09005SC-3123	Truss Screw (M3*L6)	~ 2009.10.28		O	120	
	DSC-BH000300	Truss Screw (M3*L6)	2009.10.29 ~		O		
G-1-11	11014SN-1211	Hex.Nut (M3-No2)	~ 2012.08.05		O	120	
	PSN-AA005800	Hex.Nut (M3-No2)	2012.08.06 ~		O		
G-1-12	04010MC-7113	Hex.Socket Bolt (M4*L10)	~ 2010.03.30		O	8	
	PSC-AC011900	Hex.Socket Bolt (M4*L10)	2010.03.31 ~		O		
G-1-13	05452CM-A001	EYELET "A"	~ 2009.09.28			48	
	DBS-DB002400	EYELET "A"	2009.09.29 ~				
G-1-14	08202000A000	TENSIONADJUSTINGPLATEHOLDER(6C,9C)	~ 2012.08.05			8	
	LTA-BF000100	TENSIONADJUSTINGPLATEHOLDER(6C,9C)	2012.08.06 ~				
	08202000I000	TENSIONADJUSTINGPLATEHOLDER(12C)					
G-1-15	11020PM-B001	TENSIONADJUSTINGPLATEHOLDER(15C)				8	
	05009SW-1111	Washer (@4-L)	~ 2011.02.24		O		8
G-1-16	PWS-AA004400	Washer (@4-L)	2011.02.25 ~		O	8	
	11029SC-4113	Hex. Socket Bolt (M4*L20)	~ 2009.07.28		O		8
G-1-17	PSC-AC005000	Hex. Socket Bolt (M4*L20)	2009.07.29 ~		O	4	
	AS-000476-00	TENSION UNIT PLATE Assy	~ 2007.05.09	X			4
	AS-000476-01	TENSION UNIT PLATE Assy	2007.05.10 ~	△			

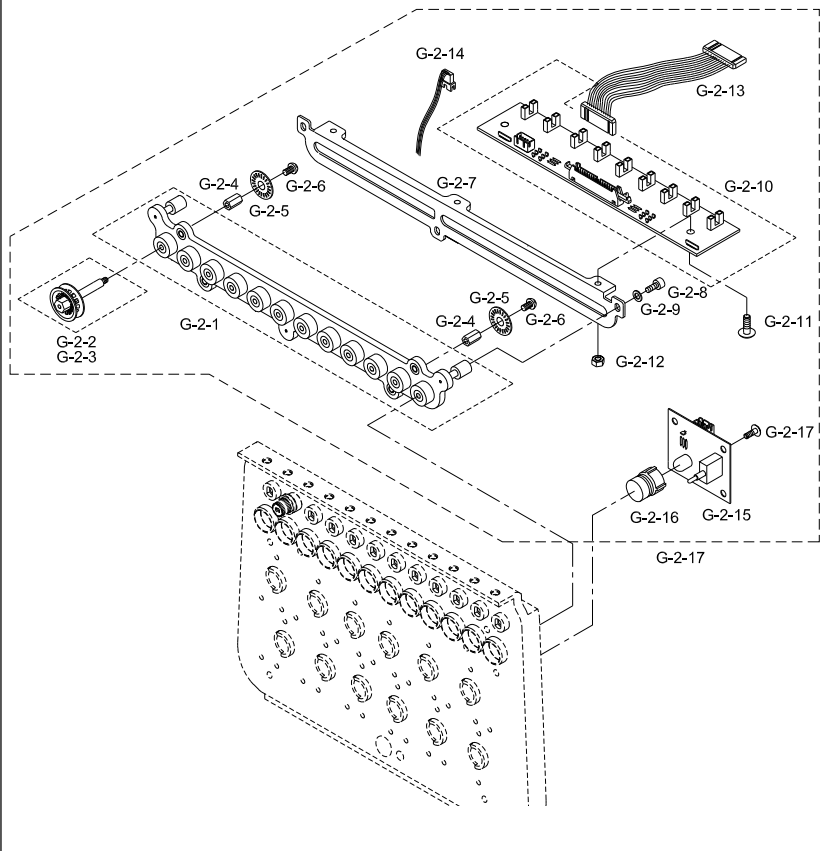
G-2



Ref.No	PartNo.	PartName	Application date	Interchangeability	Hardware	Qty	Remarks
G-2-1	08300702I000	ROLLER BASE (6C)					
	08300703I000	ROLLER BASE (9C)	~ 2012.08.05				
	BTA-PS000800	ROLLER BASE (9C)	2012.08.06 ~				
	08300704I000	ROLLER BASE (12C)	~ 2013.01.24				
	BTA-PS002900	ROLLER BASE (12C)	2013.01.25 ~				
	08300705I000	ROLLER BASE (15C)	~ 2013.01.24				
BTA-PS003500	ROLLER BASE (15C)	2013.01.25 ~					
G-2-2	11075PM-B001	Thread Sensor Roller(B1)Set (6C)	~ 2012.08.05			24	
	LTA-CL000100		2012.08.06 ~ 2012.11.11				
	LTA-CL000101		2012.11.12 ~				
	11075PM-B001	Thread Sensor Roller(B1)Set (12C)	~ 2012.08.05			48	
	LTA-CL000100		2012.08.06 ~ 2012.11.11				
	LTA-CL000101		2012.11.12 ~				
11075PM-B001	Thread Sensor Roller(B1)Set (15C)	~ 2012.08.05			28		
LTA-CL000100		2012.08.06 ~ 2012.11.11					
LTA-CL000101		2012.11.12 ~					
G-2-3	11075PM-B001	Thread Sensor Roller(B2)Set (15C)	~ 2012.08.05			32	
	LTA-CL000100		2012.08.06 ~ 2012.11.11				
	LTA-CL000101		2012.11.12 ~				
G-2-4	08308300B000	THREADDetectingWHEELSTUD (6C)	~ 2012.08.05			24	
	DSN-CG000600		2012.08.06 ~				
	11083CW-B001	THREADDetectingWHEELSTUD (9C)	~ 2012.08.05			36	
	DSN-CG000700		2012.08.06 ~				
	08308300B000	THREADDetectingWHEELSTUD (12C)	~ 2012.08.05			48	
	DSN-CG000600		2012.08.06 ~				
11083CW-B001	THREADDetectingWHEELSTUD (15C)	~ 2012.08.05			60		
DSN-CG000700		2012.08.06 ~					
G-2-5	GP-005179-00	THREADBREAKAGEDETECTINGWHEEL	~ 2010.02.23	X		48	
	CTA-CF000100		2010.02.24 ~				
G-2-6	08011SC-8118	Screw (M2*L4)	~ 2010.02.23			48	
	PSC-BA001100		2010.02.24 ~				
G-2-7	08300202I000	BOARD BASE (6C)				4	
	08300203I000	BOARD BASE (9C)	~ 2012.08.05				
	LTA-BA000200	BOARD BASE (9C)	2012.08.06 ~				
	08300204I000	BOARD BASE (12C)	~ 2013.01.24				
	LTA-BA000700	BOARD BASE (12C)	2013.01.25 ~				
	08300205I000	BOARD BASE (15C)	~ 2013.01.24				
LTA-BA000900	BOARD BASE (15C)	2013.01.25 ~					
G-2-8	02023SC-7113	Hex.Socket Bolt (M4*L8)	~ 2009.07.28		O	12	
	PSC-AC004100		2009.07.29 ~		O		
G-2-9	06003SW-2111	Washer (@4)	~ 2011.02.24		O	12	
	PWS-AA003900		2011.02.25 ~		O		

Note

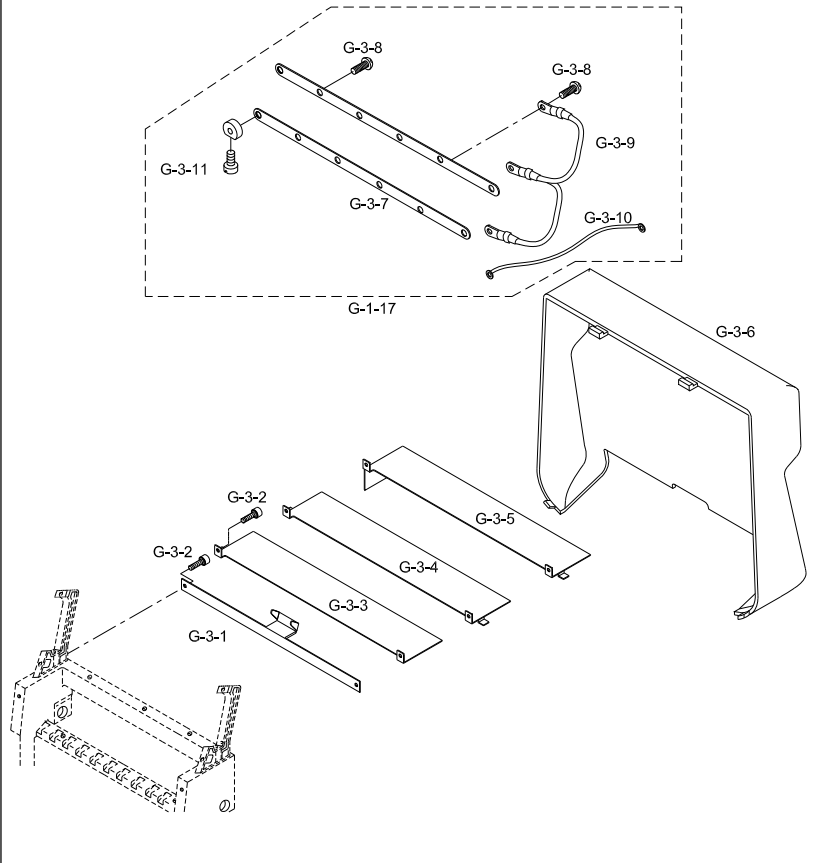
G-2



Note

Ref.No	PartNo.	PartName	Application date	Interchangeability	Hardware	Qty	Remarks
G-2-10	18009EL-WH06	WHEEL SENSOR BOARD (6C)	2008.09.23			4	
	BD-000795-00		2008.09.24 ~ 2012.10.18				
	BD-000795-01		2012.10.19 ~ 2013.10.20				
	BD-000795-02		2013.10.21 ~				
	20009EL-WH09	WHEEL SENSOR BOARD (9C)	~ 2007.08.09				
	BD-000616-00		2007.08.10 ~ 2007.11.22				
	BD-000616-01		2007.11.23 ~ 2008.10.05				
	BD-000616-02		2008.10.06 ~ 2012.10.18				
	BD-000616-03	WHEEL SENSOR BOARD (12C)	2012.10.19 ~ 2013.10.20				
	BD-000616-04		2013.10.21 ~				
	20009EL-WH12		~ 2007.08.09				
	BD-000617-00		2007.08.10 ~ 2007.11.22				
	BD-000617-01	WHEEL SENSOR BOARD (15C)	2007.11.23 ~ 2008.10.05				
	BD-000617-02		2008.10.06 ~ 2012.10.18				
	BD-000617-03		2012.10.19 ~ 2013.10.20				
	BD-000617-04		2013.10.21 ~				
20009EL-WH15	WHEEL SENSOR BOARD (15C)	~ 2007.08.09					
BD-000618-00		2007.08.10 ~ 2007.11.22					
BD-000618-01		2007.11.23 ~ 2008.10.05					
BD-000618-02		2008.10.06 ~ 2012.10.18					
BD-000618-03	WHEEL SENSOR BOARD (15C)	2012.10.19 ~ 2013.10.20					
BD-000618-04		2013.10.21 ~					
G-2-11		Truss Screw (M4*L8)	~ 2010.05.27		O	12	
		PSC-BH001100	2010.05.28 ~		O		
G-2-12	05016SN-1211	Hex.Nut (M4)	~ 2009.09.28		O	12	
	PSN-AA002300		2009.09.29 ~		O		
G-2-13	02102200U000	Plate To B/B Cable				4	
G-2-14	02101800B000	Plate Led S/W Board Cable				4	
G-2-15	03-0000-EMB1	Head On/Off S/W Board 6C,12C	~ 2011.06.26			4	
	BD-000802-01		2011.06.27 ~				
	02-0000-EMB1	Head On/Off S/W Board 9C,15C	~ 2011.06.26				
	BD-000004-03		2011.06.27 ~				
G-2-16	08300400A000	Lamp Cover	~ 2012.08.05			4	
	LTA-LA000200		2012.08.06 ~				
G-2-17	09005SC-3123	Truss Screw (M3*L6)	~ 2009.10.28		O	48	
	DSC-BH000300		2009.10.29 ~		O		

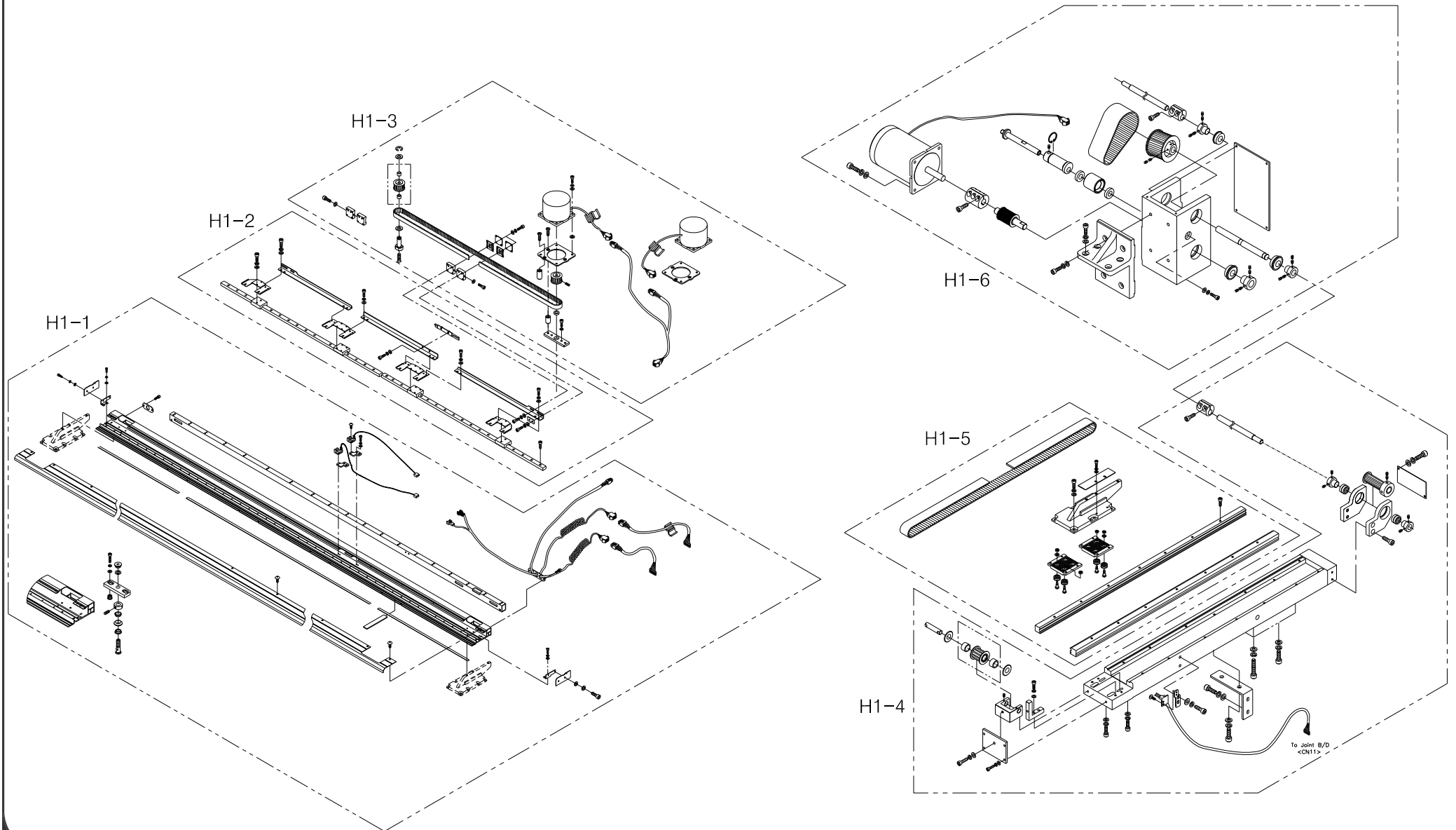
G-3



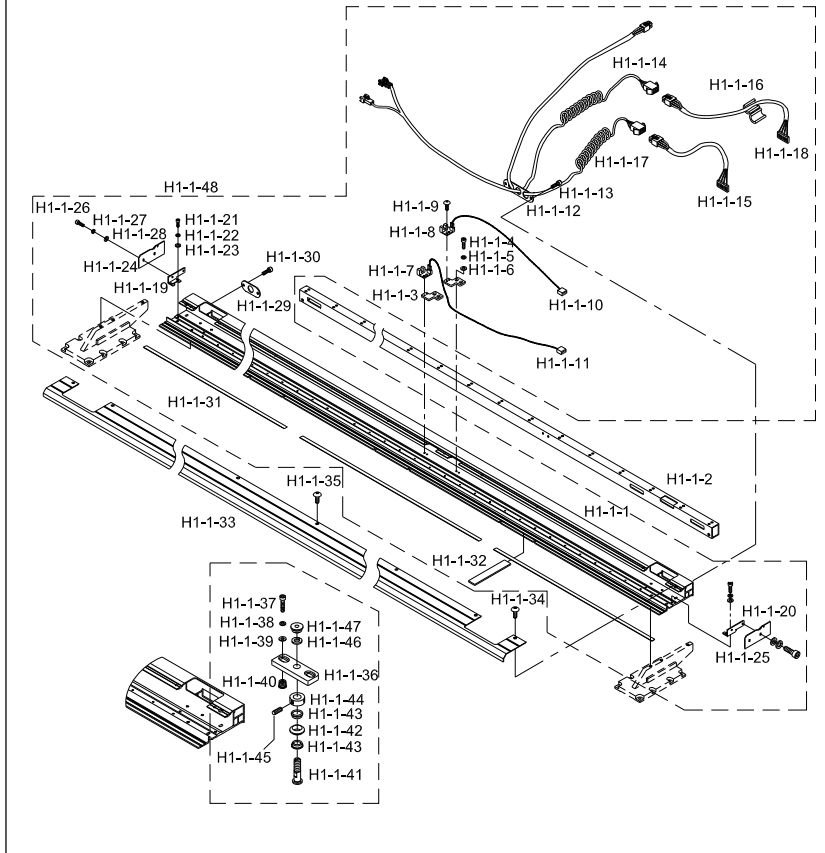
Note

Ref.No	PartNo.	PartName	Application date	Interchangeability	Hardware	Qty	Remarks
G-3-1	11032PR-T121	Cable Supporter 12C	~ 2011.02.13			1	
	LHD-BJ001600		2011.02.14 ~				
G-3-2	02023SC-7113	Hex. Socket Bolt (M4*L8)	~ 2009.07.28		c	6	
	PSC-AC004100		2009.07.29 ~		c		
G-3-3	08003202B000	Cover PLate (R) 6C (6C)				1	
	02006PR-UK01	Cover PLate (R) (9C)					
	08003204B000	COVER PLATE (R) 12C (12C)					
	02006PR-UK14	COVER PLATE (R) 15C (15C)					
G-3-4	11031PR-AB00	Cover Plate 12C	~ 2013.01.24			1	
	LTA-BJ001200		2013.01.25 ~				
G-3-5	08003302B000	Cover PLate (L) (6C)				1	
	02009PR-UK01	Cover PLate (L) (12C)					
	02009PR-UK14	Cover PLate (L) (15C)					
	02009PR-UK02	Cover Plate (L) (UK1202)					
	02009PR-UK12	Cover Plate (UK1502)					
G-3-6	08000803I000	TENSION PLATE COVER (9C)	~ 2012.08.05			4	
	LTA-LA000100		2012.08.06 ~				
	08000804I000	TENSION PLATE COVER (12C)	~ 2013.01.24				
	LTA-LA000500		2013.01.25 ~				
	08000805I000	TENSION PLATE COVER (15C)	~ 2013.01.24				
	LTA-LA000600		2013.01.25 ~				
G-3-7	08300302I000	CONNECTION PLATE (6C)	~ 2013.01.24			8	
	LTA-BJ000800		2013.01.25 ~				
	08300303I000	CONNECTING PLATE A (9C)	~ 2012.08.05			4	
	LTA-BJ000200		2012.08.06 ~				
	08300403I000	CONNECTING PLATE B (9C)	~ 2012.08.05			4	
	LTA-BJ000300		2012.08.06 ~				
	08300304I000	CONNECTION PLATE (12C)	~ 2013.01.24			8	
	LTA-BJ001100		2013.01.25 ~				
08300305I000	CONNECTION PLATE "A" (15C)				4		
08300405I000	CONNECTION PLATE "B" (15C)				4		
G-3-8	09005SC-3123	Truss Screw (M3*L6)	~ 2009.10.28		O	48	
	DSC-BH000300		2009.10.29 ~		O		
G-3-9	02103903H000	Wheel Earth 6,9,12C	~ 2004.09.20			4	
	MH-30		2004.09.21 ~				
G-3-10	25124EL-B001	Tension Plat Earth Cable 15C					
G-3-11	25126EL-B001	Sensor Board To Wheel Earth					4
G-3-12	11009SC-A001	Stud Screw					48

X-Y Drive (UK1204)



H1-1

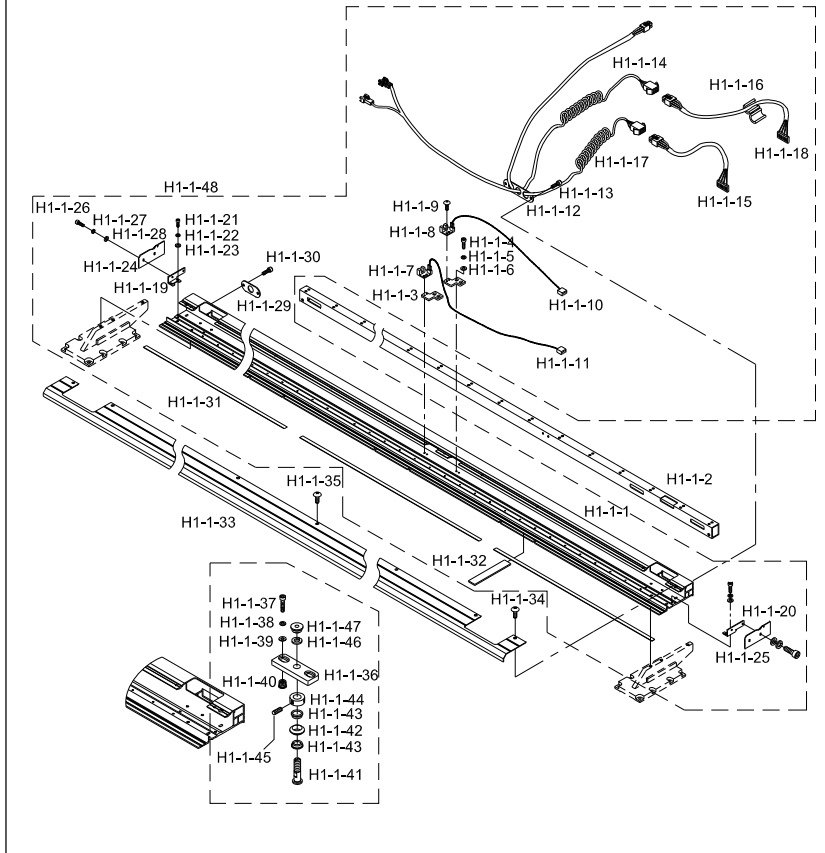


Note

Ref.No	PartNo.	PartName	Application date	Interchangeability	Hardware	Qty	Remarks
H1-1-1	GP-014076-00	X-LM GUIDE FRAME L2635	~ 2010.12.01	X		1	
	GP-014076-01		2010.12.02 ~				
H1-1-2	GP-012663-00	X-Frame Support Bar	~ 2005.12.22	X		1	
	GP-014071-00		2005.12.23 ~				
H1-1-3	15067PR-UK01	Sensor Plate	~ 2012.03.26			2	
	LXF-BB002600		2012.03.27 ~				
H1-1-4	03071SC-7113	HEX. SOCKET BOLT (M3*L10)	~ 2010.06.27		O	4	
	PSC-AC013400		2010.06.28 ~		O		
H1-1-5	08011SW-1111	Spring Washer	~ 2011.04.27			4	
	PWS-CA002800		2011.04.28 ~				
H1-1-6	07035SC-7113	Washer	~ 2009.09.28			4	
	PSC-AC007500		2009.09.29 ~				
H1-1-7	03201700UH00	X-Positioning Sensor				1	
H1-1-8	03201600UH00	X-Positioning Sensor				1	
H1-1-9	07016SC-7113	HEX.SOCKET BOLT (M4*L12)	~ 2009.07.28		O	8	
	PSC-AC004900		2009.07.29 ~		O		
H1-1-10	25052EL-UK01	LAST-SENSOR (BLACK) 4HT-52				1	
H1-1-11	25053EL-UK01	LAST-SENSOR (WHITE) 4HT-53				11	
H1-1-12	15087PR-UK02	Cable Plate For Bushing				1	
H1-1-13	02023SC-7113	HEX.SOCKET BOLT (M4*L8)	~ 2009.07.28		O	2	
	PSC-AC004100		2009.07.29 ~				
H1-1-14	25019EL-T121	Power Cable 2 (1Ht-19)				1	
H1-1-15	25041EL-UK01	X Original In (4Ht-41)				1	
H1-1-16	15045EL-UK01	Bid (L)				1	
H1-1-17	25038EL-UK06	Cable (25-38)				1	
H1-1-18	02101300U040	Cable (Sh-13-1)				1	
H1-1-19	GP-005104-00	X-FRAME SIDE COVER HOLDER (L)	~ 2012.03.26	X		1	
	LXF-BG000100		2012.03.27 ~				
H1-1-20	GP-005105-00	X-FRAME SIDE COVER HOLDER (R)	~ 2012.03.26	X		1	
	LXF-BG000200		2012.03.27 ~				
H1-1-21	02023SC-7113	Hex. Socket Bolt (M4*L8)	~ 2009.07.28		O	8	
	PSC-AC004100		2009.07.29 ~		O		
H1-1-22	18014SW-3115	Spring Washer (@4-No2)	~ 2009.07.28			8	
	PWS-CA000900		2009.07.29 ~				
H1-1-23	05009SW-1111	Washer (@4-L)	~ 2011.02.24			8	
	PWS-AA004400		2011.02.25 ~				
H1-1-24	GP-005106-00	X-AXIS FRAME SIDE COVER (L)	~ 2012.03.26	X		1	
	LXF-LB000500		2012.03.27 ~				
H1-1-25	GP-005107-00	X-AXIS FRAME SIDE COVER (R)	~ 2012.03.26	X		1	
	LXF-LB000600		2012.03.27 ~				
H1-1-26	15042SC-3123	Truss Screw (M4*L6)	~ 2010.03.30		O	4	
	PSC-BH000600		2010.03.31 ~		O		
H1-1-27	18015SW-3111	WASHER (4@)	~ 2009.06.07			4	
	PWS-AA001000		2009.06.08 ~				



H1-1

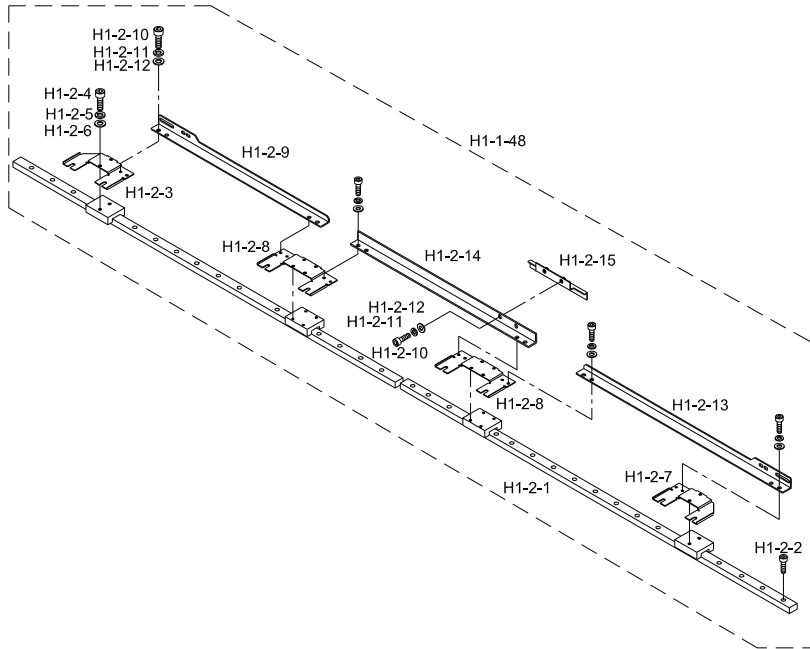


Ref.No	PartNo.	PartName	Application date	Interchangeability	Hardware	Qty	Remarks
H1-1-28	18014SW-3115	SPRING WASHER (@4-NO2)	~ 2009.07.28		O	4	
	PWS-CA000900		2009.07.29 ~	O			
H1-1-29	15082PR-W121	FIXING PLATE FOR BUSHING	~ 2010.04.07			1	
	GP-048805-00		2010.04.08 ~				
H1-1-30	02023SC-7113	HEX.SOCKET BOLT (M4*L8)	~ 2009.07.28		O	2	
	PSC-AC004100		2009.07.29 ~	O			
H1-1-31	03200700UK40	Tubular Frame Rail Plate				2	
H1-1-32	03201800UH00	Felt (190*30*1.5T)	~ 2006.10.24			4	
	GP-005585-00		2006.10.25 ~				
H1-1-33	03201300UK40	X-Cover (L=2635)				1	
H1-1-34	15042SC-3123	Truss Screw (M4*L6)	~ 2010.03.30		O	12	
	PSC-BH000600		2010.03.31 ~	O			
H1-1-35	18153SC-3123	Plus Screw (M4*L10)	~ 2009.10.28		O	2	
	PSC-BH000700		2009.10.29 ~	O			
H1-1-36	03101700UH00	Roller Fixed Plate				2	
H1-1-37	03006MC-8118	PLUS SCREW (M3*L6)	~ 2011.04.27		O	4	
	PSC-BH002400		2011.04.28 ~	O			
H1-1-38	18014SW-3115	Spring Washer (@4-No2)	~ 2009.07.28		O	4	
	PWS-CA000900		2009.07.29 ~	O			
H1-1-39	18015SW-3111	Washer (4@)	~ 2009.06.07		O	4	
	PWS-AA001000		2009.06.08 ~	O			
H1-1-40	03201900UH00	X-Frame Screw Bush	~ 2012.03.26			4	
	DSN-CY002000		2012.03.27 ~				
H1-1-41	SC-001612-00	Roller Stud Bolt			X	2	
H1-1-42	15130AF-A001	Roller Guide	~ 2011.12.26			2	
	LYF-BN000100		2011.12.27 ~				
H1-1-43	15106BR-A001	Flange Bearing (1280Zz)	~ 2012.02.26		O	4	
	PBR-AA013900		2012.02.27 ~	O			
H1-1-44	15107CW-UK01	Roller Collar	~ 2011.03.10			2	
	CL-000362-00		2011.03.11 ~				
H1-1-45	03022SC-4517	Hex. Socket Set Screw(M4*L5)	~ 2009.08.27		O	4	
	PSC-CB000600		2009.08.28 ~	O			
H1-1-46	15095SW-3115	Spring Washer (@8)	~ 2010.05.27		O	2	
	PWS-CA002000		2010.05.28 ~	O			
H1-1-47	04032SN-A001	Hex. Nut (M8-No2)	~ 2011.02.24		O	2	
	DSN-AA005500		2011.02.25 ~	O			
H1-1-48	AS-002080-00	X-Frame Assy	~ 2009.05.17		X	1	
	AS-002080-01		2009.05.18 ~ 2009.05.18		△		
	AS-002080-02		2009.05.18 ~ 2011.06.14		△		
	AS-002080-03		2011.06.15 ~ 2012.06.28				
	AS-002080-04		2012.06.29 ~ 2013.07.01				
	AS-002080-05		2013.07.02 ~ 2016.09.10				
	AS-002080-06		2016.09.11 ~				

Note



H1-2

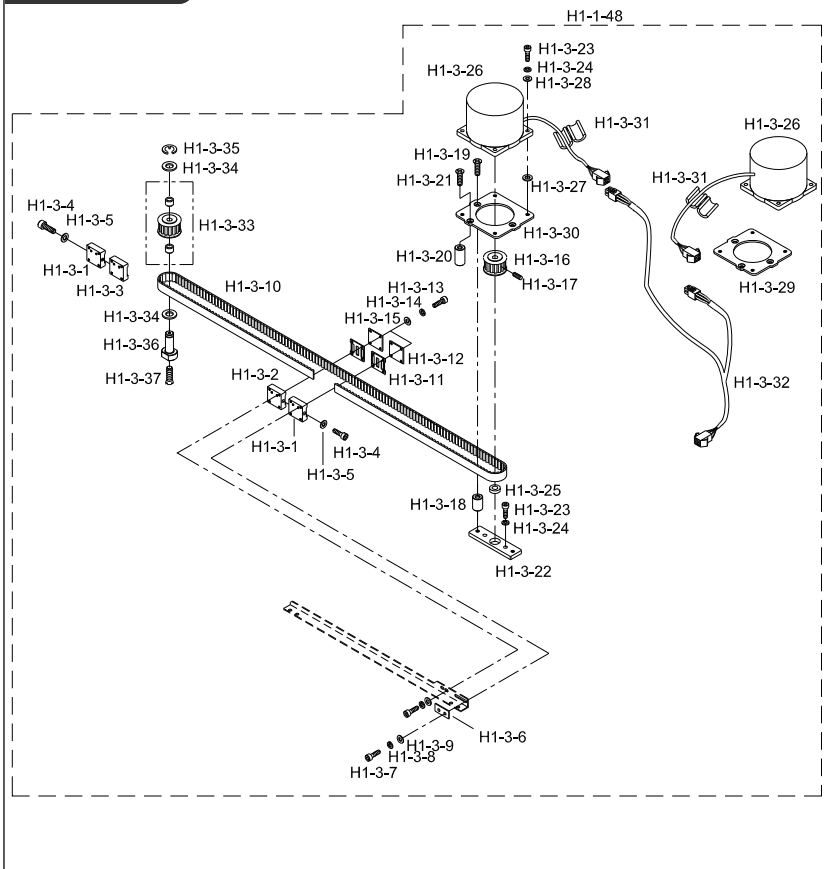


Note

Ref.No	PartNo.	PartName	Application date	Interchangeability	Hardware	Qty	Remarks
H1-2-1	03200500UK40	X-Axis L/M Guide 1160L	~ 2016.03.16			2	
	PBR-FB002000		2016.03.17 ~				
H1-2-2	22006SC-7113	Hex. Socket Bolt (M3*L8)	~ 2009.07.28		O	62	
	PSC-AC002800		2009.07.29 ~				
H1-2-3	15007PR-UK02	Connecting Plate(L)	~ 2012.03.26			1	
	LXF-BJ002800		2012.03.27 ~				
H1-2-4	02015SC-7113	Hex.Socket Bolt(M4*L10)	~ 2009.09.28		O	12	
	PSC-AC007100		2009.09.29 ~		O		
H1-2-5	18014SW-3115	Spring Washer (@4-No2)	~ 2009.07.28		O	12	
	PWS-CA000900		2009.07.29 ~		O		
H1-2-6	18015SW-3111	Washer (4@)	~ 2009.06.07		O	12	
	PWS-AA001000		2009.06.08 ~		O		
H1-2-7	15011PR-UK02	Connecting Plate(R)	~ 2012.03.26			1	
	LXF-BJ002900		2012.03.27 ~				
H1-2-8	15015PR-UK02	Connecting Plate	~ 2011.06.14			2	
	GP-053096-00		2011.06.15 ~ 2011.07.14				
	GP-053096-01		2011.07.15 ~ 2011.10.26				
	GP-053096-02		2011.10.27 ~ 2012.03.26				
H1-2-9	03200800UK40	L/M Block Connecting Plate (L)	~ 2012.03.26			1	
	LXF-BJ003700		2012.03.27 ~				
H1-2-10	02023SC-7113	Hex. Socket Bolt (M4*L8)	~ 2009.07.28		O	32	
	PSC-AC004100		2009.07.29 ~		O		
H1-2-11	18014SW-3115	Spring Washer (@4-No2)	~ 2009.07.28		O	30	
	PWS-CA000900		2009.07.29 ~		O		
H1-2-12	18015SW-3111	Washer (4@)	~ 2009.06.07		O	30	
	PWS-AA001000		2009.06.08 ~		O		
H1-2-13	03200900UK40	L/M Block Connecting Plate (R)	~ 2012.03.26			1	
	LXF-BJ003900		2012.03.27 ~				
H1-2-14	03201000UK40	L/M Block Connecting Plate	~ 2010.01.10			1	
	GP-048508-00		2010.01.11 ~ 2010.04.07				
	GP-048508-01		2010.04.08 ~				
H1-2-15	15071PR-UK01	Perception Plate	~ 2012.03.26			1	
	LXF-BJ004000		2012.03.27 ~				

H1

H1-3

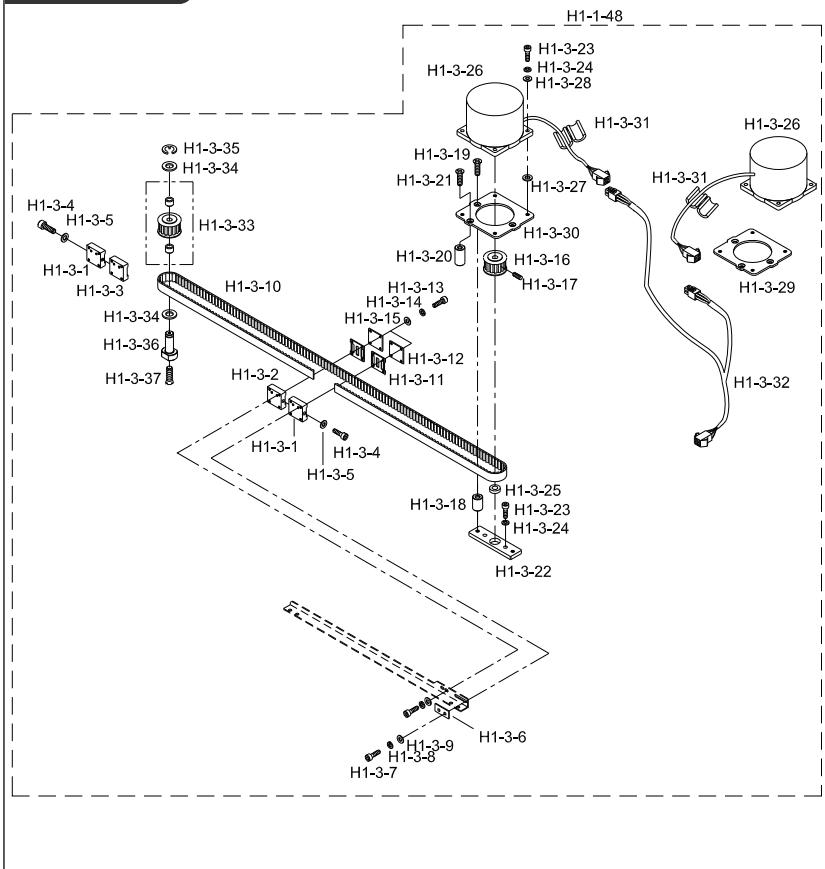


Note

Ref.No	PartNo.	PartName	Application date	Interchangeability	Hardware	Qty	Remarks
H1-3-1	14045AD-UK01	Belt Bracket (B)	~ 2012.03.26			2	
	LXF-BB002700		2012.03.27 ~				
H1-3-2	14049AD-UK01	Belt Bracket (C)	~ 2012.03.26			1	
	LXF-BB002900		2012.03.27 ~				
H1-3-3	14048AD-UK01	Belt Bracket (A)	~ 2012.03.26			1	
	LXF-BB002800		2012.03.27 ~				
H1-3-4	15034SC-4113	Hex. Socket Bolt (M4*L45)	~ 2012.03.26		O	2	
	PSC-AC024500		2012.03.27 ~		O		
H1-3-5	18015SW-3111	Washer (4@)	~ 2009.06.07		O	2	
	PWS-AA001000		2009.06.08 ~		O		
H1-3-6	14020PR-UK01	Space	~ 2012.03.26			2	
	LXF-BJ003000		2012.03.27 ~				
H1-3-7	02023SC-7113	Hex. Socket Bolt (M4*L8)	~ 2009.07.28		O	4	
	PSC-AC004100		2009.07.29 ~		O		
H1-3-8	18014SW-3115	Spring Washer (@4-No2)	~ 2009.07.28		O	4	
	PWS-CA000900		2009.07.29 ~		O		
H1-3-9	18015SW-3111	Washer (4@)	~ 2009.06.07		O	4	
	PWS-AA001000		2009.06.08 ~		O		
H1-3-10	12048BT-T121	X-Axis Timing Belt	~ 2012.03.26			2	
	PBT-BF000300		2012.03.27 ~				
H1-3-11	14051PR-UK01	Fixing Plate	~ 2012.03.26			4	
	LXF-BJ003100		2012.03.27 ~				
H1-3-12	14052PR-UK01	Fixing Plate Holder	~ 2012.03.26			4	
	LXF-BJ003200		2012.03.27 ~				
H1-3-13	02015SC-7113	HEX.SOCKET BOLT (M4*L10)	~ 2009.09.28		O	4	
	PSC-AC007100		2009.09.29 ~		O		
H1-3-14	18014SW-3115	Spring Washer (@4-No2)	~ 2009.07.28		O	4	
	PWS-CA000900		2009.07.29 ~		O		
H1-3-15	18015SW-3111	Washer (4@)	~ 2009.06.07		O	4	
	PWS-AA001000		2009.06.08 ~		O		
H1-3-16	14063PU-UK01	Timing Pulley "B"	~ 2012.03.26			2	
	DPL-BF000600		2012.03.27 ~				
H1-3-17	04014SC-4517	Hex.Socket Set Screw (M5*L5)	~ 2009.06.07		O	4	
	PSC-CB000300		2009.06.08 ~		O		
H1-3-18	14065AD-UK01	Motor Fixing Shaft (A)	~ 2012.03.26			4	
	LXF-KD000200		2012.03.27 ~				
H1-3-19	15053SC-4119	Plus Screw (M5*L30)	~ 2012.03.26		O	4	
	PSC-BB003700		2012.03.27 ~		O		
H1-3-20	14067AD-UK01	Motor Fixing Shaft (B)	~ 2012.03.26			2	
	LXF-KD000100		2012.03.27 ~				

H1

H1-3

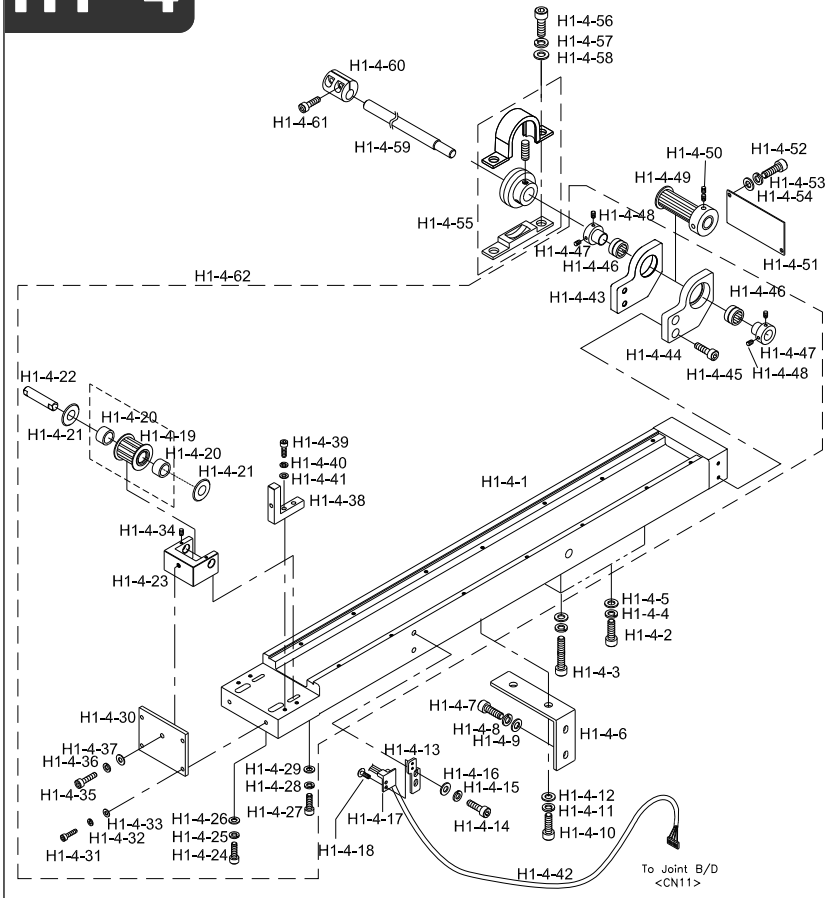


Note

Ref.No	PartNo.	PartName	Application date	Interchangeability	Hardware	Qty	Remarks
H1-3-21	15055SC-4119	Plus Screw (M5*L35)	~ 2012.03.26		O	2	
	PSC-BB003800		2012.03.27 ~		O		
H1-3-22	14069AD-UK01	Motor Block	~ 2012.03.26			2	
	LXF-BK000300		2012.03.27 ~				
H1-3-23	08076SC-7113	Hex. Socket Bolt (M5*L12)	~ 2011.04.27		O	12	
	PSC-AC018600		2011.04.28 ~		O		
H1-3-24	18048SW-3115	Spring Washer (@5)	~ 2009.07.28		O	12	
	PWS-CA000800		2009.07.29 ~		O		
H1-3-25	14071BR-UK01	Bearing Bc616Zz	~ 2012.03.26		O	2	
	PBR-AA014200		2012.03.27 ~		O		
H1-3-26	15076AF-UK01	X-Motor (103H8221-5044)	~ 2016.09.08			2	
	MO-000063-00		2016.09.09 ~				
H1-3-27	15061PR-UK01	Motor Space (@5*@11*2T)				8	
H1-3-28	16018SW-1111	Washer (@5)	~ 2011.04.27		O	8	
	PWS-AA004600		2011.04.28 ~		O		
H1-3-29	14074PR-UK01	Motor Base (L)	~ 2008.02.11			1	
	GP-036405-00		2008.02.12 ~ 2012.03.26				
H1-3-30	LXF-BA000300	Motor Base (R)	2012.03.27 ~			1	
	14075PR-UK01		~ 2008.02.11				
H1-3-31	GP-036404-00	Motor Base (R)	2008.02.12 ~ 2012.03.26			1	
H1-3-32	LXF-BA000400	Motor Base (R)	2012.03.27 ~				
H1-3-31	15044EL-T121	Bid (S)				2	
H1-3-32	25014EL-UK01	Cable (4Ht-14)				1	
H1-3-33	12017PU-T121	Timing Pulley "A"	~ 2012.03.26			2	
	DPL-BF000700		2012.03.27 ~				
	12018BR-T121		~ 2010.06.27				
H1-3-34	PBR-BA003700	Needle Bearing Hk1010(Ina)	2010.06.28 ~			4	
	12019BR-T121		~ 2010.06.27				
H1-3-35	PWS-AA003100	Fiber Washer R-Tw1020	2010.06.28 ~			4	
H1-3-35	08044SR-4013	E-Ring (@8)	~ 2011.02.24		O	2	
	PSR-AC001600		2011.02.25 ~		O		
H1-3-36	03106000U000	Timing Pulley Driving Pin	~ 2012.03.26			2	
	LXF-KF000500		2012.03.27 ~				
H1-3-37	07016SC-7113	HEX.SOCKET BOLT (M4*L12)	~ 2009.07.28		O	4	
	PSC-AC004900		2009.07.29 ~		O		



H1-4

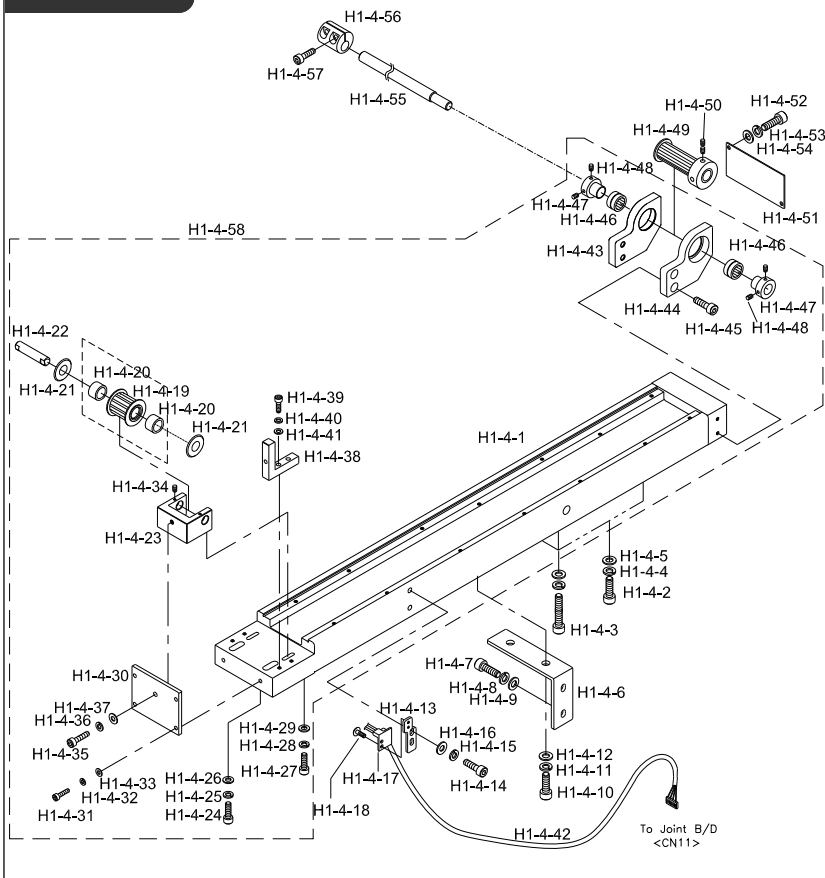


Note

Ref.No	PartNo.	PartName	Application date	Interchangeability	Hardware	Qty	Remarks
H1-4-1	03100200UH01	Y-Lm Guide Frame (L650)	~ 2004.09.24			2	
	GP-004930-00		2004.09.25 ~ 2006.03.12				
	GP-004930-01		2006.03.13 ~ 2009.09.07				
	GP-004930-02		2009.09.08 ~ 2009.10.15				
	GP-004930-03		2009.10.16 ~ 2012.03.26				
	LYF-BC001800		2012.03.27 ~				
H1-4-2	14027SC-4113	Hex.Socket Bolt (M8*L30)			O	4	
H1-4-3	03003SC-4113	Hex. Socket Bolt "B"(M8*L35)	~ 2009.09.28		O	4	
	PSC-AC007700		2009.09.29 ~		O		
H1-4-4	15095SW-3115	Spring Washer (@8)	~ 2010.05.27		O	4	
	PWS-CA002000		2010.05.28 ~		O		
H1-4-5	04029SW-A001	Stud Bolt Washer(S) (@8)	~ 2009.09.28		O	4	
	DWS-AA009900		2009.09.29 ~		O		
H1-4-6	16074PR-UK06	Y-Lm Support Fixing Plate	~ 2012.03.26			2	
	LYF-BJ002000		2012.03.27 ~ 2012.12.10				
	LYF-BJ002001		2012.12.11 ~				
H1-4-7	08076SC-7113	HEX. SOCKET BOLT (M5*L12)	~ 2011.04.27		O	4	
	PSC-AC018600		2011.04.28 ~		O		
H1-4-8	18048SW-3115	Spring Washer (@5)	~ 2009.07.28		O	4	
	PWS-CA000800		2009.07.29 ~		O		
H1-4-9	16018SW-1111	Washer (@5)	~ 2011.04.27		O	4	
	PWS-AA004600		2011.04.28 ~		O		
H1-4-10	14006SC-7113	HEX.SOCKET SET SCREW(M8*L15)	~ 2010.05.27		O	4	
	PSC-AC013100		2010.05.28 ~		O		
H1-4-11	15095SW-3115	SPRING WASHER (@8)	~ 2010.05.27		O	4	
	PWS-CA002000		2010.05.28 ~		O		
H1-4-12	08041SW-1111	WASHER (@8-S)	~ 2011.04.27		O	4	
	PWS-AA004700		2011.04.28 ~		O		
H1-4-13	03101300UH00	Sensor Bracket	~ 2012.03.26			1	
	LYF-BB003400		2012.03.27 ~				
H1-4-14	02015SC-7113	Hex.Socket Bolt(M4*L10)	~ 2009.09.28		O	2	
	PSC-AC007100		2009.09.29 ~		O		
H1-4-15	18014SW-3115	Spring Washer (@4-No2)	~ 2009.07.28		O	2	
	PWS-CA000900		2009.07.29 ~		O		
H1-4-16	18015SW-3111	Washer (4@)	~ 2009.06.07		O	2	
	PWS-AA001000		2009.06.08 ~		O		
H1-4-17	09018EL-UK01	Y-Positioning Sensor				1	
H1-4-18	08006SC-8118	Plus Screw (M3*L5)	~ 2010.12.30		O	2	
	PSC-BD001100		2010.12.31 ~		O		
H1-4-19	04500100U000	TIMING PULLEY(16-S5M-32F)	~ 2012.03.26			2	
	DPL-BC009500		2012.03.27 ~				
H1-4-20	15042BR-A001	Needle Bearing (1210Zz)	~ 2009.10.28		O	4	
	PBR-BA002000		2009.10.29 ~		O		

H1

H1-4

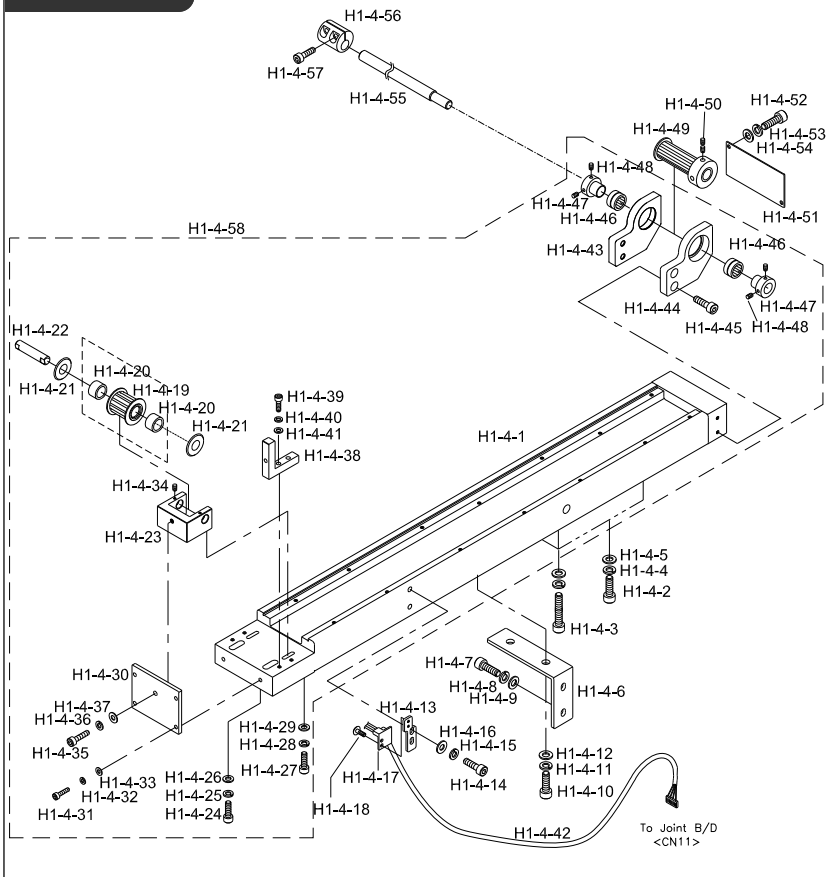


Note

Ref.No	PartNo.	PartName	Application date	Interchangeability	Hardware	Qty	Remarks
H1-4-21	15046RB-A001	Driving Pin Washer (Tw1225)	~ 2011.04.27			4	
	DWS-AA022800		2011.04.28 ~				
H1-4-22	16100CW-UK06	Timing Pulley Shaft (Y)	~ 2012.03.26			2	
	LYF-KC001500		2012.03.27 ~				
H1-4-23	03100500UH00	Y-Tension Adjusting Bracket	~ 2012.02.12			2	
	GP-049431-00		2012.02.13 ~ 2012.05.06				
H1-4-24	08062SC-7113	Hex. Socket Bolt (M5*L20)	~ 2009.06.01		O	4	
	PSC-AC001300		2009.06.02 ~		O		
H1-4-25	18048SW-3115	Spring Washer (5@)	~ 2009.07.28		O	4	
	PWS-CA000800		2009.07.29 ~		O		
H1-4-26	18049SW-3111	Washer (@5)	~ 2009.07.28		O	4	
	PWS-AA001500		2009.07.29 ~		O		
H1-4-27	11029SC-4113	HEX. SOCKET BOLT (M4*L20)	~ 2009.07.28		O	2	
	PSC-AC005000		2009.07.29 ~		O		
H1-4-28	18014SW-3115	Spring Washer (@4-No2)	~ 2009.07.28		O	2	
	PWS-CA000900		2009.07.29 ~		O		
H1-4-29	18015SW-3111	Washer (4@)	~ 2009.06.07		O	2	
	PWS-AA001000		2009.06.08 ~		O		
H1-4-30	03100600UH00	Tension Adjusting Plate	~ 2012.03.26			2	
	LYF-BJ002100		2012.03.27 ~				
H1-4-31	07016SC-7113	Hex.Socket Bolt (M4*L12)	~ 2009.07.28		O	6	
	PSC-AC004900		2009.07.29 ~		O		
H1-4-32	02028SW-9115	Spring Washer (@4)	~ 2009.07.28		O	6	
	PWS-CA000700		2009.07.29 ~		O		
H1-4-33	05009SW-1111	Washer (@4-L)	~ 2011.02.24		O	6	
	PWS-AA004400		2011.02.25 ~		O		
H1-4-34	08007SC-4517	Hex. Socket Set Screw (M3*L5)	~ 2010.12.30		O	4	
	PSC-CB000900		2010.12.31 ~		O		
H1-4-35	16028SC-7113	HEX. SOCKET BOLT (M5*L25)	~ 2012.02.26		O	2	
	PSC-AC024300		2012.02.27 ~		O		
H1-4-36	18048SW-3115	Spring Washer (5@)	~ 2009.07.28		O	2	
	PWS-CA000800		2009.07.29 ~		O		
H1-4-37	18049SW-3111	Washer (@5)	~ 2009.07.28		O	2	
	PWS-AA001500		2009.07.29 ~		O		
H1-4-38	03100700UH00	Fixed Block	~ 2012.03.21			3	
	LYF-BK002000		2012.03.22 ~				
H1-4-39	11029SC-4113	HEX. SOCKET BOLT (M4*L20)	~ 2009.07.28		O	4	
	PSC-AC005000		2009.07.29 ~		O		
H1-4-40	18014SW-3115	Spring Washer (@4-No2)	~ 2009.07.28		O	4	
	PWS-CA000900		2009.07.29 ~		O		



H1-4

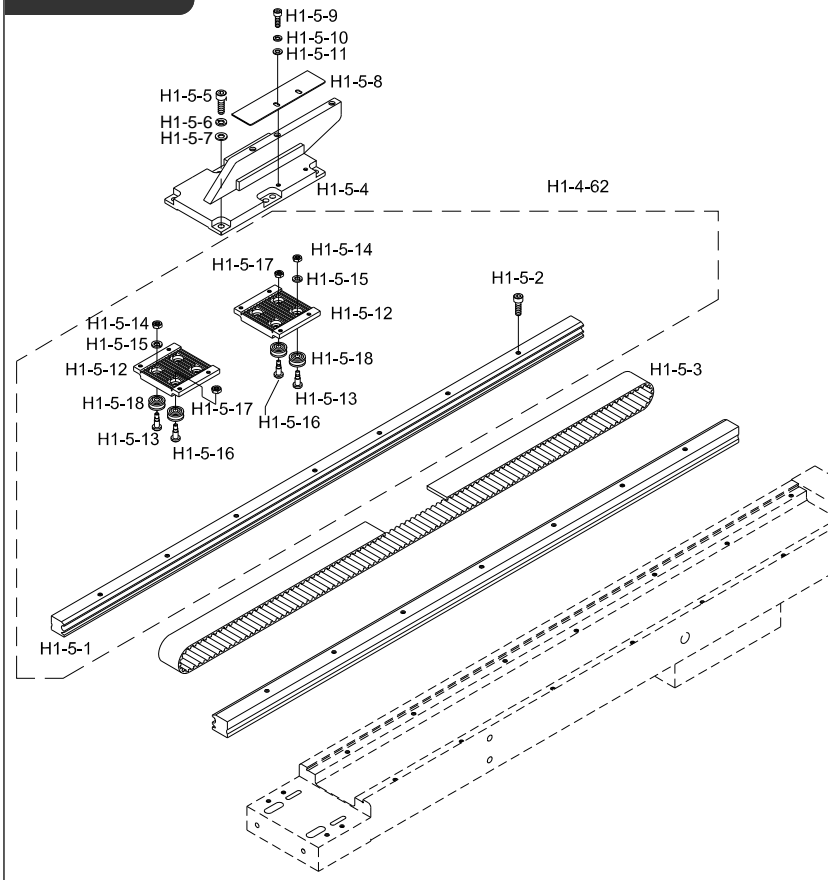


Note

Ref.No	PartNo.	PartName	Application date	Interchangeability	Hardware	Qty	Remarks
H1-4-41	18015SW-3111	Washer (4@)	~ 2009.06.07		O	4	
	PWS-AA001000		2009.06.08 ~		O		
H1-4-42	25045EL-UK01	Joint - Io B/D 40P				1	
H1-4-43	03100900UH00	Y-Bearing Bracket (L)	~ 2017.07.03			2	
	LYF-BB003202		2017.07.04 ~				
H1-4-44	03101000UH00	Y-Bearing Bracket (R)	~ 2017.07.03			2	
	LYF-BB003302		2017.07.04 ~				
H1-4-45	16059SC-7113	HEX.SOCKET BOLT (M6*L12)	~ 2011.04.27		O	8	
	PSC-AC018900		2011.04.28 ~		O		
H1-4-46	01029BR-A001	Needle Bearing (6002Z)	~ 2011.04.27		O	4	
	PBR-AA011400		2011.04.28 ~		O		
H1-4-47	14058CW-A001	Bearing Collar	~ 2009.10.28			4	
	DBS-AA000600		2009.10.29 ~ 2011.10.16				
	DBS-AA000601		2011.10.17 ~ 2012.04.26				
	DBS-AA000602		2012.04.27 ~				
H1-4-48	04012AF-A001	Hook Shaft Bush Screw	~ 2010.12.30			8	
	DSC-CB003200		2010.12.31 ~				
H1-4-49	PL-000011-00	TIMING PULLEY(16-S5M-32F)		X		2	
H1-4-50	04014SC-4517	Hex.Socket Set Screw(M5*L5)	~ 2009.06.07		O	8	
	PSC-CB000300		2009.06.08 ~		O		
H1-4-51	GP-047317-00	Y-Bearing Bracket Cover				2	
H1-4-52	07035SC-7113	Bracket Screw (M3*L6)	~ 2009.09.28		O	4	
	PSC-AC007500		2009.09.29 ~		O		
H1-4-53	11019SW-9115	Spring Washer (3@)	~ 2009.10.08		O	4	
	PWS-CA001800		2009.10.09 ~		O		
H1-4-54	06011SW-2111	WASHER (@3)	~ 2009.09.28		O	4	
	PWS-AA001900		2009.09.29 ~		O		
H1-4-55	ST-000010-00	Y-Driving Shaft "A" L=1049	~ 2009.07.14	X		2	
	ST-000010-01		2009.07.15 ~	△			
H1-4-56	03005100U000	Coupling "A"				4	
H1-4-57	03016SC-4113	Hex. Socket Bolt (M5*L15)	~ 2010.12.30		O	8	
	PSC-AC017400		2010.12.31 ~		O		
H1-4-58	AS-016060-00	Y-Frame Assy		X		2	

H1

H1-5

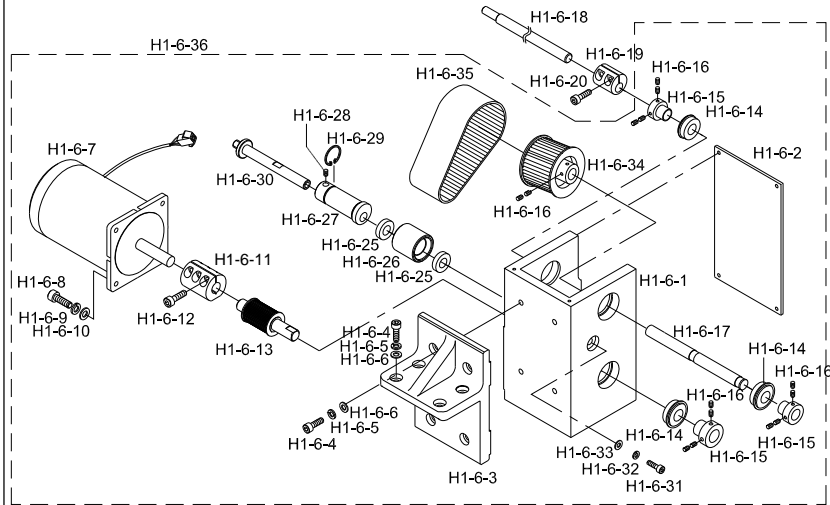


Note

Ref.No	PartNo.	PartName	Application date	Interchangeability	Hardware	Qty	Remarks
H1-5-1	03100100UH01	Cam Roller Guide Rail (L590)	~ 2012.03.26			4	
	LYF-BP001900		2012.03.27 ~				
H1-5-2	04016MC-4113	CAM ROLLER GUIDE FIXED SCREW	~ 2009.06.07			28	
	PSC-AC000500		2009.06.08 ~				
H1-5-3	03100400UH01	Y-Driving Timing Belt (L1250)	~ 2012.03.26			2	
	PBT-BC004800		2012.03.27 ~				
H1-5-4	GP-005614-00	BRACKER FOR X-Y CONNECTING	~ 2010.06.09	X		2	
	GP-005614-01		2010.06.10 ~				
H1-5-5	02015SC-7113	HEX.SOCKET BOLT (M4*L10)	~ 2009.09.28		O	16	
	PSC-AC007100		2009.09.29 ~		O		
H1-5-6	18014SW-3115	Spring Washer (@4-No2)	~ 2009.07.28		O	16	
	PWS-CA000900		2009.07.29 ~		O		
H1-5-7	18015SW-3111	Washer (4@)	~ 2009.06.07		O	16	
	PWS-AA001000		2009.06.08 ~		O		
H1-5-8	03101400UH00	Plate For Y-Sensing	~ 2009.10.05			1	
	GP-047325-00		2009.10.06 ~ 2010.05.02				
	GP-047325-01		2010.05.03 ~ 2012.03.26				
	LYF-BJ001800		2012.03.27 ~				
H1-5-9	22006SC-7113	Hex. Socket Bolt (M3*L8)	~ 2009.07.28		O	2	
	PSC-AC002800		2009.07.29 ~		O		
H1-5-10	11019SW-9115	Spring Washer (3@)	~ 2009.10.08		O	2	
	PWS-CA001800		2009.10.09 ~		O		
H1-5-11	08011SW-1111	Spring Washer (@3-S)	~ 2011.04.27		O	2	
	PWS-CA002800		2011.04.28 ~		O		
H1-5-12	16104CL-H001	Belt Catcher Plate (Y)	~ 2009.01.13			4	
	GP-044106-00		2009.01.14 ~ 2009.05.07				
	GP-044106-01		2009.05.08 ~ 2009.05.14				
	GP-044106-02		2009.05.15 ~ 2012.03.26				
	LYF-BK002100		2012.03.27 ~				
H1-5-13	15002CW-B001	Cam Roller Stud (A)	~ 2009.10.28			8	
	DSC-GA000700		2009.10.29 ~				
H1-5-14	15029SN-3211	Hex. Nut (M4-No2)	~ 2009.10.28		O	8	
	PSN-AA002500		2009.10.29 ~		O		
H1-5-15	02028SW-9115	Spring Washer (@4)	~ 2009.07.28		O	8	
	PWS-CA000700		2009.07.29 ~		O		
H1-5-16	15003CW-B001	Cam Roller Stud (B)	~ 2009.10.28			8	
	DSC-BF010700		2009.10.29 ~				
H1-5-17	12010SN-1211	Hex.Nut (M5)	~ 2009.10.28		O	8	
	PSN-AA002600		2009.10.29 ~		O		
H1-5-18	15001BR-B001	Cam Roller Bearing	~ 2009.10.28			16	
	PBR-FK000100		2009.10.29 ~				



H1-6

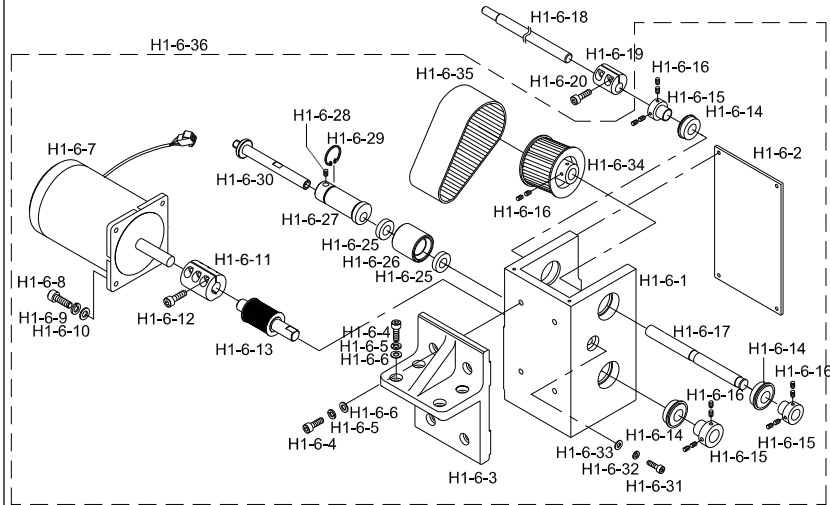


Note

Ref.No	PartNo.	PartName	Application date	Interchangeability	Hardware	Qty	Remarks
H1-6-1	GP-047007-00	Y-Driving Box	~ 2012.03.26	X		1	
	LYF-BA000600		2012.03.27 ~				
H1-6-2	GP-005374-00	Y-Driving Box CoverA	~ 2012.03.26	X		2	
	LYF-LB000300		2012.03.27 ~				
H1-6-3	GP-007513-00	Y-Driving Box Bracket	~ 2011.10.03	X		2	
	LYF-BB003100		2011.10.04 ~ 2012.03.26				
H1-6-4	03003SC-4113	Hex. Socket Bolt "B"(M8*L35)	~ 2009.09.28		O	20	
	PSC-AC007700		2009.09.29 ~		O		
H1-6-5	15095SW-3115	Spring Washer (@8)	~ 2010.05.27		O	36	
	PWS-CA002000		2010.05.28 ~		O		
H1-6-6	04029SW-A001	Stud Bolt Washer(S) (@8)	~ 2009.10.28		O	36	
	DWS-AA009900		2009.10.29 ~		O		
H1-6-7	16059MT-E131	Y Motor (103H89222-5212)	~ 2005.03.09			1	
	15027MT-UI12		2005.03.10 ~				
H1-6-8	14046SC-7113	Hex.Socket Bolt (M6*L30)	~ 2011.12.26		O	4	
	PSC-AC023500		2011.12.27 ~		O		
H1-6-9	16014SW-4115	Spring Washer (@6)	~ 2009.07.28		O	4	
	PWS-CA001000		2009.07.29 ~		O		
H1-6-10	08057SW-1111	Washer (@6)	~ 2009.07.28		O	4	
	PWS-AA001400		2009.07.29 ~		O		
H1-6-11	GP-005380-00	Coupling	~ 2012.03.26			1	
	DCR-AH001500		2012.03.27 ~				
H1-6-12	14061AF-4517	Hex. Socket Bolt (M8*L8)	~ 2009.10.28		O	2	
	PSC-CB001400		2009.10.29 ~		O		
H1-6-13	GP-044367-00	Y-Driving Timing Pulley	~ 2010.06.30	X		1	
	GP-044367-01		2010.07.01 ~ 2011.11.07	△			
	GP-044367-02		2011.11.08 ~ 2012.03.26				
	DPL-BC009600		2012.03.27 ~				
H1-6-14	01001100H000	Bearing(6004zz)	~ 2010.12.30		O	3	
	PBR-AA009900		2010.12.31 ~		O		
H1-6-15	GP-043996-00	Bearing Stopper Collar	~ 2011.01.30	X		3	
	DCL-AB004500		2011.01.31 ~				
H1-6-16	04012AF-A001	Screw(15/64-28)	~ 2010.12.30		O	8	
	DSC-CB003200		2010.12.31 ~		O		
H1-6-17	ST-000138-00	Y-Driving Shaft "B"	~ 2012.01.07	X		2	
	ST-000138-01		2012.01.03 ~ 2012.03.01				
	ST-000138-02		2012.03.02 ~ 2012.08.05				
	LYF-KC001700	2012.08.06 ~					
	GP-004159-00	Y-Driving Shaft	~ 2005.04.26	X		2	
	GP-004159-01		2005.04.27 ~	△			

H1

H1-6

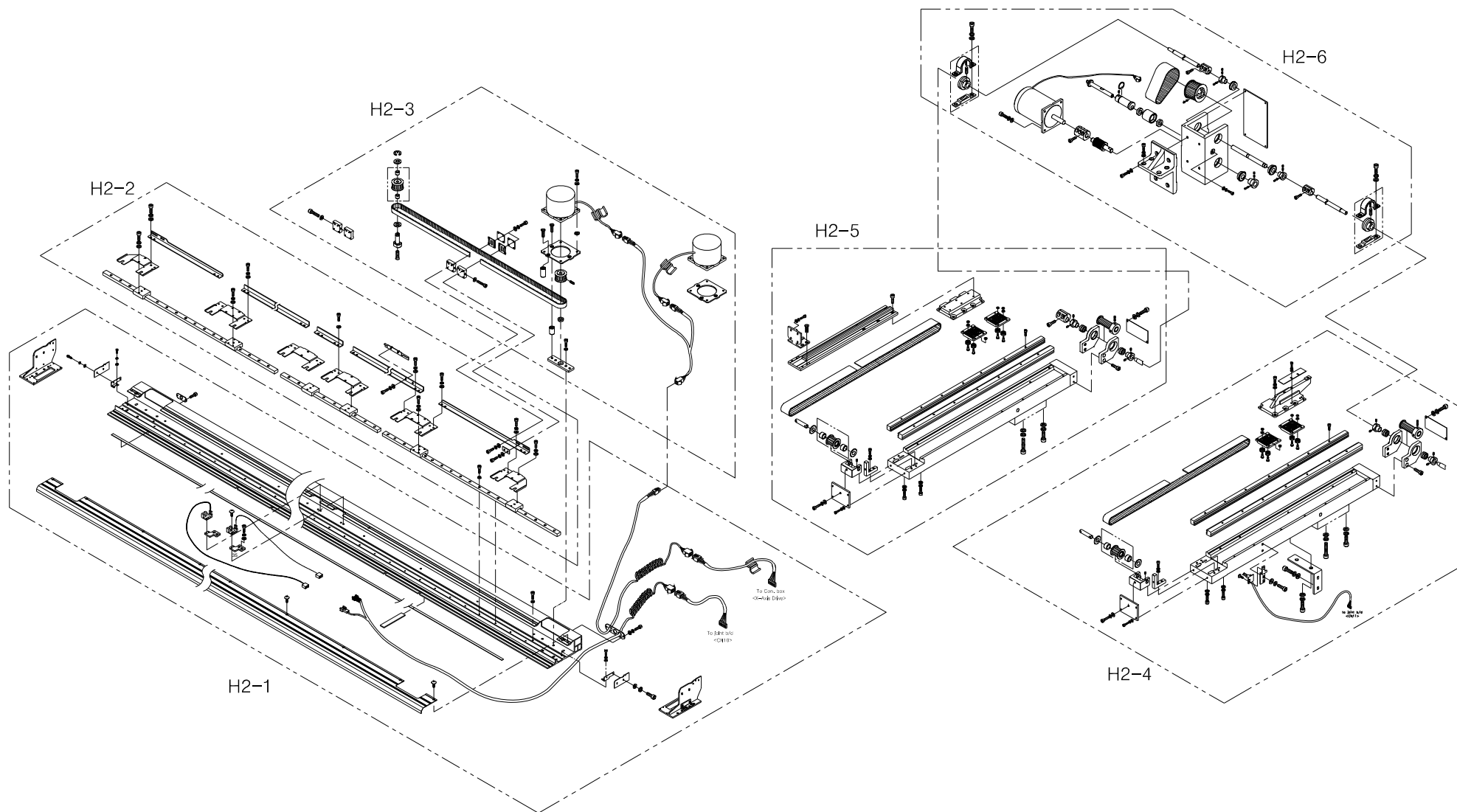


Note

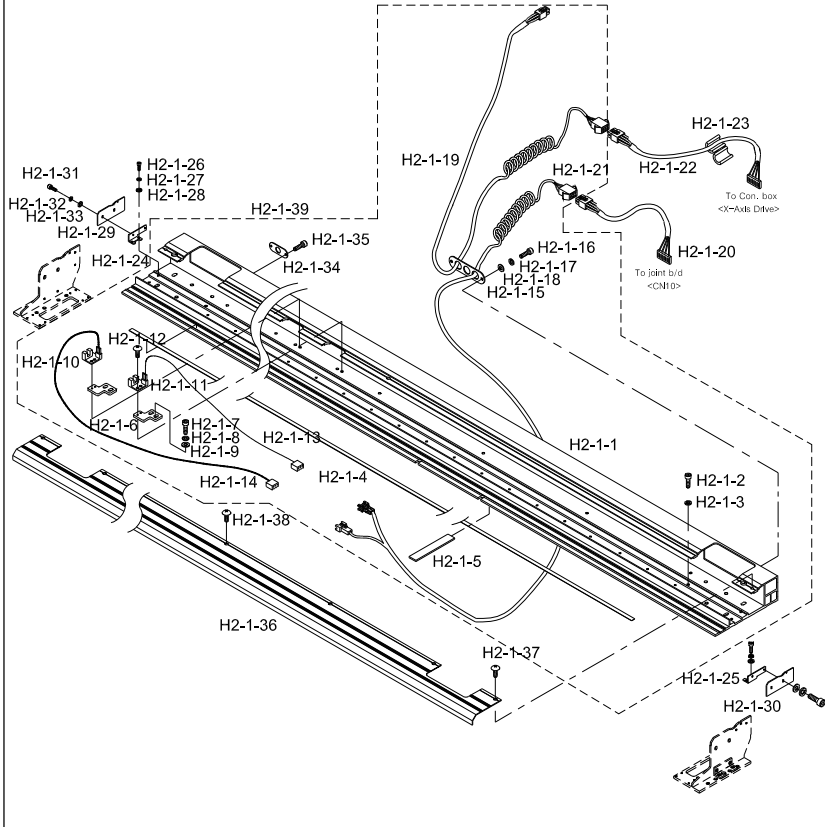
Ref.No	PartNo.	PartName	Application date	Interchangeability	Hardware	Qty	Remarks
H1-6-18	ST-000010-00	Y-Driving Shaft "A" L=1049	~ 2009.07.14	X		2	
	ST-000010-01		2009.07.15 ~	△			
H1-6-19	GP-005380-00	Coupling "A"	~ 2012.03.26	X		4	
	DCR-AH001500		2012.03.27 ~				
H1-6-20	03016SC-4113	Hex. Socket Bolt (M5*L15)	~ 2010.12.30		O	8	
	PSC-AC017400		2010.12.31 ~		O		
H1-6-25	03200400I000	Roller Bearing	~ 2011.04.27			2	
	PBR-AA011300		2011.04.28 ~				
H1-6-26	GP-005379-00	Tension Adjusting Roller	~ 2012.03.26	X		1	
	LYF-CL000400		2012.03.27 ~				
H1-6-27	GP-005378-00	Idler Bush	~ 2012.03.26	X		1	
	DBS-DB017900		2012.03.27 ~				
H1-6-28	14060AF-4517	Hex. Socket Bolt (M6*L6)	~ 2010.12.30		O	1	
	PSC-CB004800		2010.12.31 ~		O		
H1-6-29	03200700I000	C-Ring	~ 2011.04.27			1	
	PSR-AA001900		2011.04.28 ~				
H1-6-30	GP-007512-00	Idler Shaft	~ 2009.05.06	X		1	
	GP-007512-01		2009.05.07 ~ 2012.03.26	△			
	LYF-KF003100		2012.03.27 ~ 2013.01.03				
	LYF-KF003101		2013.01.04 ~				
H1-6-31	14002SC-7113	Hex. Socket Bolt (M6*L15)	~ 2009.08.27		O	1	
	PSC-AC005800		2009.08.28 ~		O		
H1-6-32	16014SW-4115	Spring Washer (@6)	~ 2009.07.28		O	5	
	PWS-CA001000		2009.07.29 ~		O		
H1-6-33	08057SW-1111	Washer	~ 2009.07.28			5	
H1-6-34	03200200B000	Lower Shaft Timing Pulley				1	
H1-6-35	BE-000023-00	Y-Driving Timing Belt		X		1	
H1-6-36	AS-015330-00	Y-Driving Pulley Box Assy	~ 2009.02.03	X		1	
	AS-015330-01		2009.02.04 ~ 2009.08.30	△			
	AS-015330-02		2009.09.01 ~ 2010.05.30	△			
	AS-015330-03		2010.06.01 ~				



X-Y Drive (UK1206)



H2-1

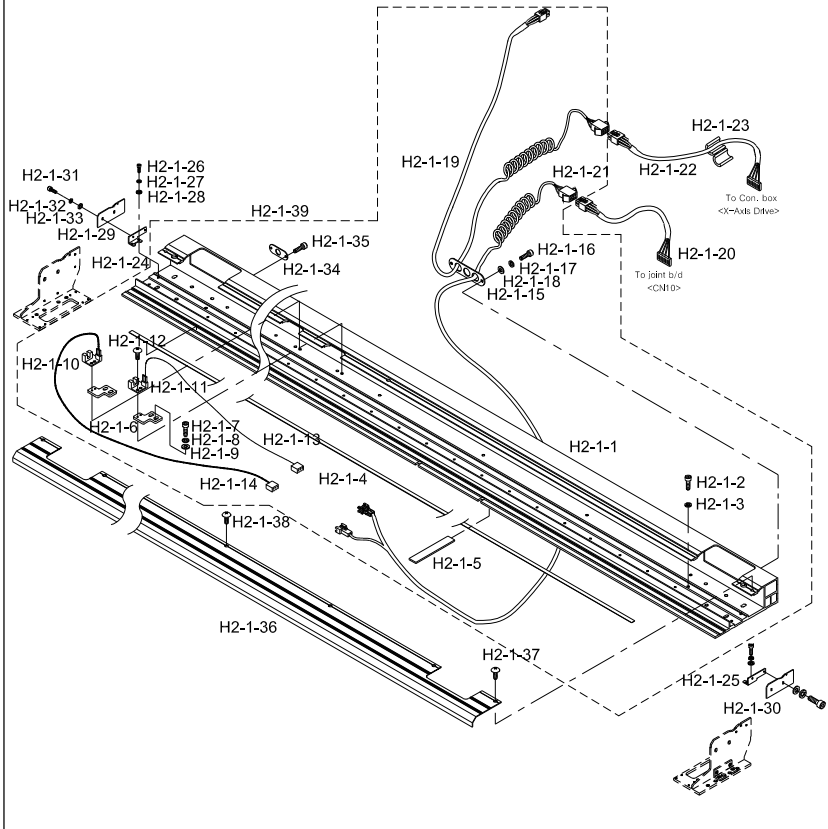


Note

Ref.No	PartNo.	PartName	Application date	Interchangeability	Hardware	Qty	Remarks
H2-1-1	GP-008149-00	X-FRAME (L3661)	~ 2005.06.16	X		1	
	GP-008149-01		2005.06.17 ~ 2010.12.01	△			
	GP-008149-02		2010.12.02 ~ 2012.03.26				
	LXF-BC002400		2012.03.27 ~				
H2-1-2	03071SC-7113	HEX. SOCKET BOLT (M3*L10)	~ 2010.06.27		O	94	
	PSC-AC013400		2010.06.28 ~		O		
H2-1-3	11019SW-9115	Spring Washer (3@)	~ 2009.10.08		O	40	
	PWS-CA001800		2009.10.09 ~		O		
H2-1-4	03200600UK60	TUBULAR FRAME RAIL PLATE (L3630)	~ 2012.03.26			1	
	LXF-BJ004100		2012.03.27 ~				
H2-1-5	15062SF-T121	Felt	~ 2012.03.26			6	
	LLB-JL001600		2012.03.27 ~				
H2-1-6	15067PR-UK01	Sensor Plate	~ 2012.03.26			2	
	LXF-BB002600		2012.03.27 ~				
H2-1-7	02015SC-7113	HEX.SOCKET BOLT (M4*L10)	~ 2009.09.28		O	4	
	PSC-AC007100		2009.09.29 ~		O		
H2-1-8	02028SW-9115	Spring Washer (@4)	~ 2009.07.28		O	4	
	PWS-CA000700		2009.07.29 ~		O		
H2-1-9	05009SW-1111	Washer (@4-L)	~ 2011.02.24		O	4	
	PWS-AA004400		2011.02.25 ~		O		
H2-1-10	15044EL-UK01	X-Positioning Sensor				1	
H2-1-11	15043EL-UK01	X-Positioning Sensor				1	
H2-1-12	03006MC-8118	PLUS SCREW (M3*L6)	~ 2011.04.27		O	4	
	PSC-BH002400		2011.04.28 ~		O		
H2-1-13	25052EL-UK01	Last-Sensor (Black) 4Ht-52	~ 2004.12.01			1	
	SH-33-02		2004.12.02 ~				
H2-1-14	25053EL-UK01	Last-Sensor (White) 4Ht-53	~ 2004.12.01			1	
	SH-34-02		2004.12.02 ~				
H2-1-15	14014PR-UK01	Bushing Plate	~ 2008.06.17			1	
	03201500UK40		2008.06.18 ~ 2012.03.26				
	LXF-BJ003300		2012.03.27 ~ 2014.05.07				
	GP-046178-00		2014.05.08 ~				
H2-1-16	02023SC-7113	Hex.Socket Bolt (M4*L8)	~ 2009.07.28		O	4	
	PSC-AC004100		2009.07.29 ~		O		
H2-1-17	18014SW-3115	Spring Washer (@4-No2)	~ 2009.07.28		O	2	
	PWS-CA000900		2009.07.29 ~		O		
H2-1-18	18015SW-3111	Washer (4@)	~ 2009.06.07		O	2	
	PWS-AA001000		2009.06.08 ~		O		
H2-1-19	25009EL-UK06	Cable (25-09)				1	
H2-1-20	25038EL-UK06	Cable (25-38)				1	
H2-1-21	25041EL-UK01	X Original In (4Ht-41)				1	
H2-1-22	02101300U000	CABLE (SH-13-2)				1	
H2-1-23	15045EL-UK01	Bid (L)				1	



H2-1

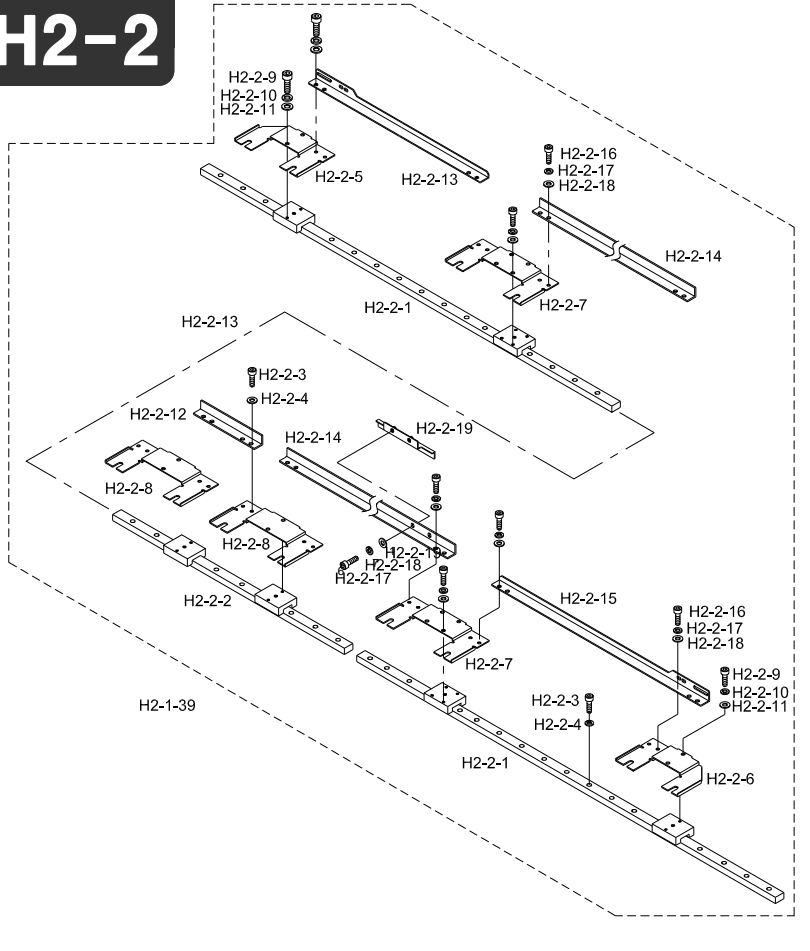


Note

Ref.No	PartNo.	PartName	Application date	Interchangeability	Hardware	Qty	Remarks
H2-1-24	GP-005104-00	X-FRAME SIDE COVER HOLDER (L)	~ 2012.03.26	X		1	
	LXF-BG000100		2012.03.27 ~				
H2-1-25	GP-005105-00	X-FRAME SIDE COVER HOLDER (R)	~ 2012.03.26	X		1	
	LXF-BG000200		2012.03.27 ~				
H2-1-26	02023SC-7113	Hex. Socket Bolt (M4*L8)	~ 2009.07.28		O	8	
	PSC-AC004100		2009.07.29 ~		O		
H2-1-27	18014SW-3115	Spring Washer (@4-No2)	~ 2009.07.28		O	8	
	PWS-CA000900		2009.07.29 ~		O		
H2-1-28	05009SW-1111	Washer (@4-L)	~ 2011.02.24		O	8	
	PWS-AA004400		2011.02.25 ~		O		
H2-1-29	GP-005106-00	X-AXIS FRAME SIDE COVER (L)	~ 2012.03.26	X		1	
	LXF-LB000500		2012.03.27 ~				
H2-1-30	GP-005107-00	X-AXIS FRAME SIDE COVER (R)	~ 2012.03.26	X		1	
	LXF-LB000600		2012.03.27 ~				
H2-1-31	15042SC-3123	Truss Screw (M4*L6)	~ 2010.03.30		O	4	
	PSC-BH000600		2010.03.31 ~		O		
H2-1-32	18015SW-3111	WASHER (4@)	~ 2009.06.07		O	4	
	PWS-AA001000		2009.06.08 ~		O		
H2-1-33	18014SW-3115	SPRING WASHER (@4-NO2)	~ 2009.07.28		O	4	
	PWS-CA000900		2009.07.29 ~		O		
H2-1-34	15082PR-W121	FIXING PLATE FOR BUSHING	~ 2010.04.07			1	
	GP-048805-00		2010.04.08 ~				
H2-1-35	02023SC-7113	Hex.Socket Bolt (M4*L8)	~ 2009.07.28		O	2	
	PSC-AC004100		2009.07.29 ~		O		
H2-1-36	GP-008150-00	X-Frame Cover L=3639	~ 2012.03.25	X		1	
	GP-008150-01		2012.03.26 ~	△			
	LXF-LA000700		2012.03.27 ~				
H2-1-37	15042SC-3123	Truss Screw (M4*L6)	~ 2010.03.30		O	17	
	PSC-BH000600		2010.03.31 ~		O		
H2-1-38	18153SC-3123	Plus Screw (M4*L10)	~ 2009.10.28		O	2	
	PSC-BH000700		2009.10.29 ~		O		
H2-1-39	AS-002088-00	X-Frame Assy (6C)	~ 2011.03.21	X		1	
	AS-002088-01		2011.03.22 ~ 2011.06.10	△			
	AS-002088-02		2011.06.15 ~ 2012.06.28				
	AS-002088-03		2012.06.29 ~ 2013.07.01				
	AS-002088-04		2013.07.02 ~ 2016.09.10				
	AS-002088-05		2016.09.11 ~				

H2

H2-2

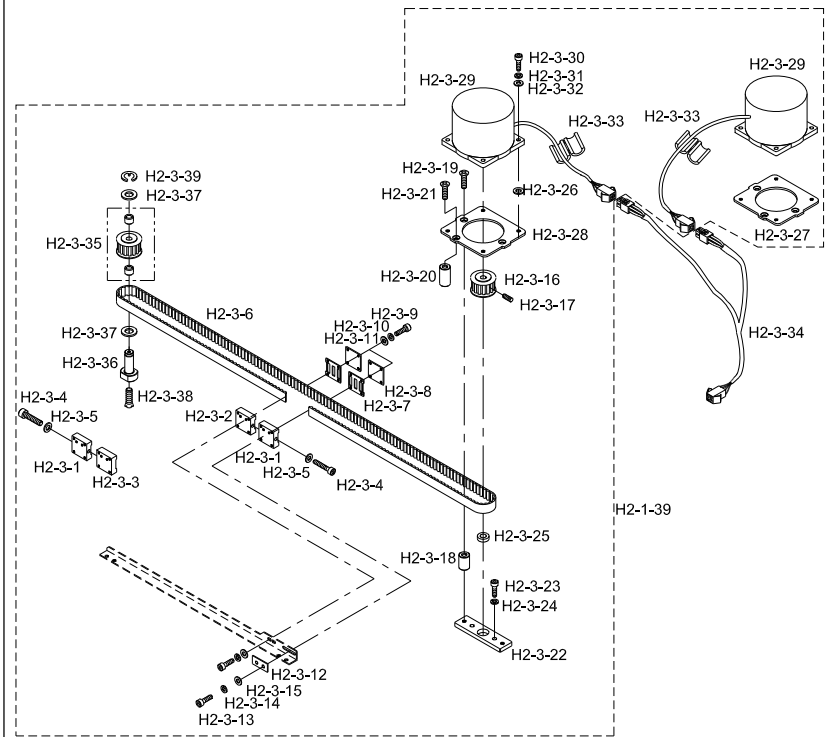


Ref.No	PartNo.	PartName	Application date	Interchangeability	Hardware	Qty	Remarks
H2-2-1	03200500UK40	X-AXIS L/M GUIDE (1160L)	~ 2010.12.01			2	
	GP-051294-00		2010.12.02 ~ 2012.03.26				
	BXF-PS004500		2012.03.27 ~				
H2-2-2	03200500UK60	X-AXIS L/M GUIDE (760L)	~ 2012.03.26			1	
	BXF-PS004600		2012.03.27 ~				
H2-2-3	03071SC-7113	HEX. SOCKET BOLT (M3*L10)	~ 2010.06.27		O	94	
	PSC-AC013400		2010.06.28 ~		O		
H2-2-4	11019SW-9115	Spring Washer (3@)	~ 2009.10.08		O	94	
	PWS-CA001800		2009.10.09 ~		O		
H2-2-5	15007PR-UK02	CONNECTING PLATE(L)	~ 2012.03.26			1	
	LXF-BJ002800		2012.03.27 ~				
H2-2-6	15011PR-UK02	CONNECTING PLATE(R)	~ 2012.03.26			1	
	LXF-BJ002900		2012.03.27 ~				
H2-2-7	15015PR-UK02	CONNECTING PLATE	~ 2011.09.13			2	
	GP-053096-00		2011.09.14 ~ 2011.10.30				
H2-2-8	GP-053096-01	CONNECTING PLATE "A"	2011.10.11 ~			2	
	03200700UK60		~ 2012.03.26				
H2-2-9	LXF-BJ003500	CONNECTING PLATE "A"	2012.03.27 ~			2	
	22006SC-7113		~ 2009.07.28		O		
H2-2-10	PSC-AC002800	Hex. Socket Bolt (M3*L8)	2009.07.29 ~		O	16	
	11019SW-9115	Spring Washer (3@)	~ 2009.10.08		O	16	
H2-2-11	PWS-CA001800	Spring Washer (3@)	2009.10.09 ~		O	16	
	08011SW-1111	Spring Washer (@3-S)	~ 2011.04.27		O	16	
H2-2-12	PWS-CA002800	Spring Washer (@3-S)	2011.04.28 ~		O	16	
	03200800UK60	CONNECTING PLATE FOR LM BLOCK (L119)	~ 2012.03.26			1	
H2-2-13	LXF-BJ003600	CONNECTING PLATE FOR LM BLOCK (L119)	2012.03.27 ~			1	
	03200800UK40	L/M BLOCK CONNECTING PLATE (L)	~ 2012.03.26			1	
H2-2-14	LXF-BJ003700	L/M BLOCK CONNECTING PLATE (L)	2012.03.27 ~			1	
	03200900UK60	CONNECTING PLATE (A) (L714.5)	~ 2012.03.26			2	
H2-2-15	LXF-BJ003800	CONNECTING PLATE (A) (L714.5)	2012.03.27 ~			2	
	03200900UK40	L/M BLOCK CONNECTING PLATE (R)	~ 2012.03.26			1	
H2-2-16	LXF-BJ003900	L/M BLOCK CONNECTING PLATE (R)	2012.03.27 ~			1	
	02023SC-7113	Hex. Socket Bolt (M4*L8)	~ 2009.07.28		O	28	
H2-2-17	PSC-AC004100	Hex. Socket Bolt (M4*L8)	2009.07.29 ~		O	28	
	02028SW-9115	Spring Washer (@4)	~ 2009.07.28		O	28	
H2-2-18	PWS-CA000700	Spring Washer (@4)	2009.07.29 ~		O	28	
	05009SW-1111	Washer (@4-L)	~ 2011.02.24		O	28	
H2-2-19	PWS-AA004400	Washer (@4-L)	2011.02.25 ~		O	28	
	15071PR-UK01	Perception Plate	~ 2012.03.26			1	
H2-2-19	LXF-BJ004000	Perception Plate	2012.03.27 ~			1	

Note

H2

H2-3

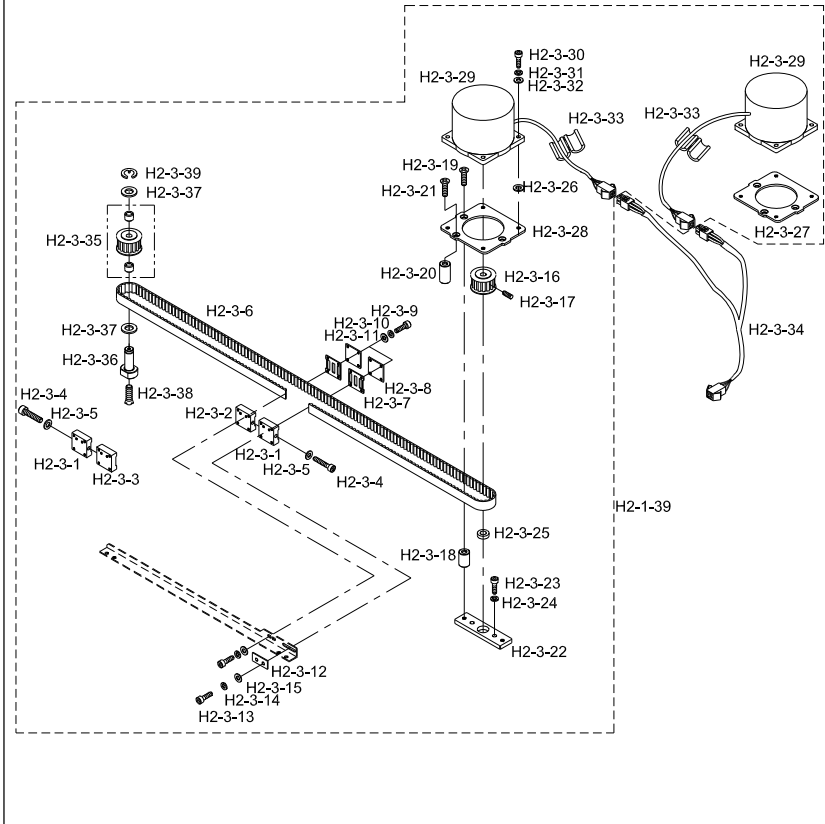


Note

Ref.No	PartNo.	PartName	Application date	Interchangeability	Hardware	Qty	Remarks
H2-3-1	14045AD-UK01	Belt Bracket (B)	~ 2012.03.26			2	
	LXF-BB002700		2012.03.27 ~				
H2-3-2	14049AD-UK01	Belt Bracket (C)	~ 2012.03.26			1	
	LXF-BB002900		2012.03.27 ~				
H2-3-3	14048AD-UK01	Belt Bracket (A)	~ 2012.03.26			1	
	LXF-BB002800		2012.03.27 ~				
H2-3-4	15034SC-4113	Hex. Socket Boit (M4*L45)	~ 2012.03.26		O	2	
	PSC-AC024500		2012.03.27 ~		O		
H2-3-5	05009SW-1111	Washer (@4-L)	~ 2011.02.24		O	2	
	PWS-AA004400		2011.02.25 ~		O		
H2-3-6	12048BT-T121	X-Axis Timing Belt	~ 2012.03.26			2	
	PBT-BF000300		2012.03.27 ~				
H2-3-7	14051PR-UK01	Fixing Plate	~ 2012.03.26			4	
	LXF-BJ003100		2012.03.27 ~				
H2-3-8	14052PR-UK01	Fixing Plate Holder	~ 2012.03.26			4	
	LXF-BJ003200		2012.03.27 ~				
H2-3-9	03071SC-7113	HEX. SOCKET BOLT (M3*L10)	~ 2010.06.27		O	16	
	PSC-AC013400		2010.06.28 ~		O		
H2-3-10	11019SW-9115	Spring Washer (3@)	~ 2009.10.08		O	16	
	PWS-CA001800		2009.10.09 ~		O		
H2-3-11	08011SW-1111	Spring Washer (@3-S)	~ 2011.04.27		O	16	
	PWS-CA002800		2011.04.28 ~		O		
H2-3-12	14020PR-UK01	Space	~ 2012.03.26			2	
	LXF-BJ003000		2012.03.27 ~				
H2-3-13	02023SC-7113	Hex. Socket Bolt (M4*L8)	~ 2009.07.28		O	4	
	PSC-AC004100		2009.07.29 ~		O		
H2-3-14	02028SW-9115	Spring Washer (@4)	~ 2009.07.28		O	4	
	PWS-CA000700		2009.07.29 ~		O		
H2-3-15	05009SW-1111	Washer (@4-L)	~ 2011.02.24		O	4	
	PWS-AA004400		2011.02.25 ~		O		
H2-3-16	14063PU-UK01	Timing Pulley "B"	~ 2012.03.26			2	
	DPL-BF000600		2012.03.27 ~				
H2-3-17	04014SC-4517	Hex.Socket Set Screw(M5*L5)	~ 2009.06.07		O	4	
	PSC-CB000300		2009.06.08 ~		O		
H2-3-18	14065AD-UK01	Motor Fixing Shaft (A)	~ 2012.03.26			4	
	LXF-KD000200		2012.03.27 ~				
H2-3-19	15053SC-4119	Plus Screw (M5*L30)	~ 2012.03.26		O	4	
	PSC-BB003700		2012.03.27 ~		O		
H2-3-20	14067AD-UK01	Motor Fixing Shaft (B)	~ 2012.03.26			2	
	LXF-KD000100		2012.03.27 ~				



H2-3

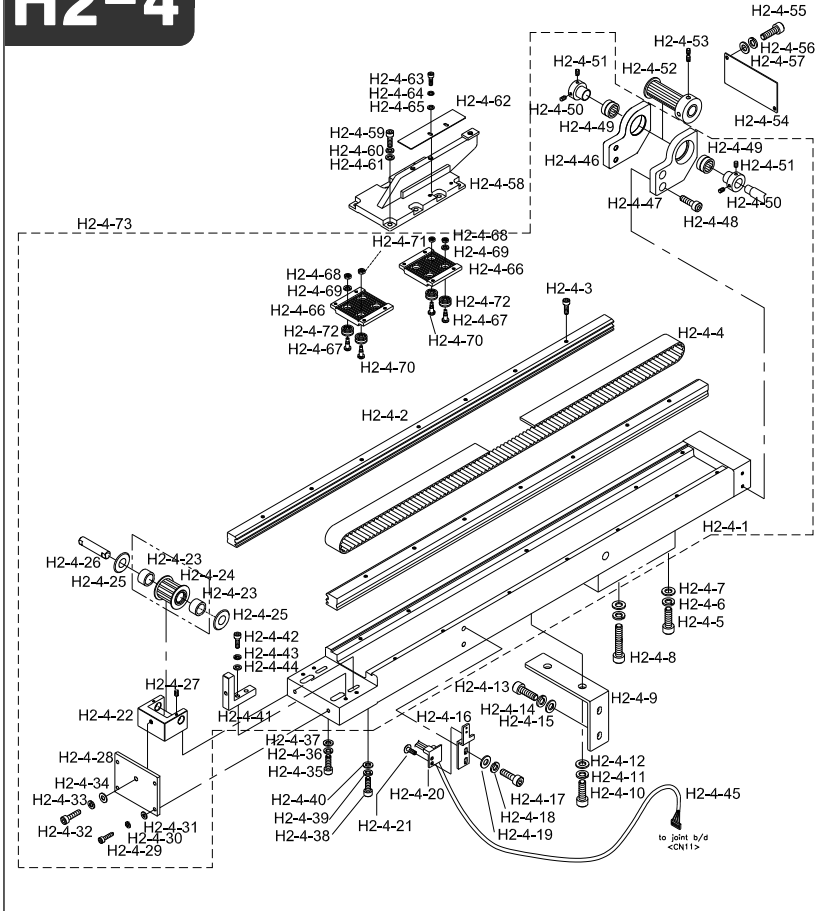


Note

Ref.No	PartNo.	PartName	Application date	Interchangeability	Hardware	Qty	Remarks
H2-3-21	15055SC-4119	Plus Screw (M5*L35)	~ 2012.03.26		O	2	
	PSC-BB003800		2012.03.27 ~		O		
H2-3-22	14069AD-UK01	Motor Block	~ 2012.03.26			2	
	LXF-BK000300		2012.03.27 ~				
H2-3-23	08076SC-7113	Hex. Socket Bolt (M5*L12)	~ 2011.04.27		O	12	
	PSC-AC018600		2011.04.28 ~		O		
H2-3-24	18048SW-3115	Spring Washer (@5)	~ 2009.07.28		O	12	
	PWS-CA000800		2009.07.29 ~		O		
H2-3-25	14071BR-UK01	Bearing Bc616Zz	~ 2012.03.26		O	2	
	PBR-AA014200		2012.03.27 ~		O		
H2-3-26	15061PR-UK01	Motor Space (@5*@11*2T)				8	
H2-3-27	14074PR-UK01	Motor Base (L)	~ 2008.02.11			1	
	GP-036405-00		2008.02.12 ~ 2012.03.26				
	LXF-BA000300		2012.03.27 ~				
H2-3-28	14075PR-UK01	Motor Base (R)	~ 2008.02.11			1	
	GP-036404-00		2008.02.12 ~ 2012.03.26				
	LXF-BA000400		2012.03.27 ~				
H2-3-29	15076AF-UK01	X-MOTOR (103H8221-5044)	~ 2016.09.08			2	
	MO-000063-00		2016.09.09 ~				
H2-3-30	08076SC-7113	Hex. Socket Bolt (M5*L12)	~ 2011.04.27		O	8	
	PSC-AC018600		2011.04.28 ~		O		
H2-3-31	18048SW-3115	Spring Washer (@5)	~ 2009.07.28		O	8	
	PWS-CA000800		2009.07.29 ~		O		
H2-3-32	16018SW-1111	Washer (@5)	~ 2011.04.27		O	8	
H2-3-33	15044EL-T121	Bid (S)				2	
H2-3-34	25010EL-UK06	Cable (25-10)				1	
H2-3-35	12017PU-T121	Timing Pulley "A"	~ 2012.03.26			2	
	DPL-BF000700		2012.03.27 ~				
H2-3-36	03106000U000	Timing Pulley Driving Pin	~ 2012.03.26			2	
	LXF-KF000500		2012.03.27 ~				
H2-3-37	12019BR-T121	Fiber Washer R-Tw1020	~ 2010.06.27			4	
	PWS-AA003100		2010.06.28 ~				
H2-3-38	15048SC-4119	Plus Screw (M5*L12)	~ 2012.03.26		O	2	
	PSC-BB004000		2012.03.27 ~		O		
H2-3-39	08044SR-4013	E-Ring (@8)	~ 2011.02.24		O	2	
	PSR-AC001600		2011.02.25 ~		O		

H2

H2-4

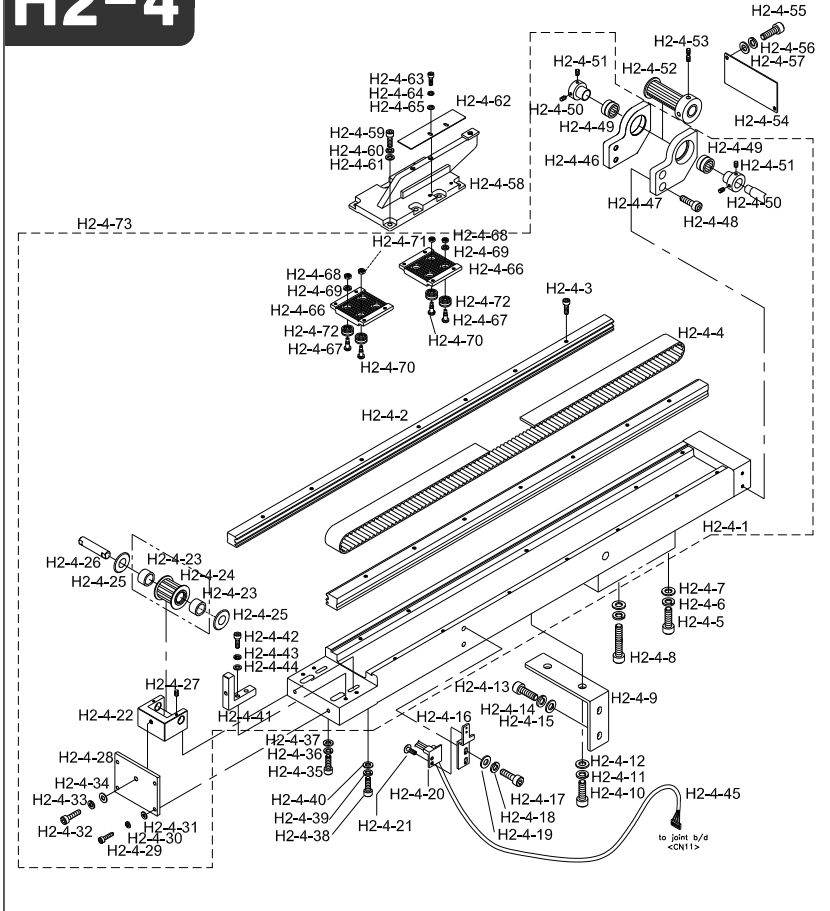


Note

Ref.No	PartNo.	PartName	Application date	Interchangeability	Hardware	Qty	Remarks
H2-4-1	GP-047345-00	Y-Lm Guide Support "A" (L)				1	
H2-4-2	03100100UH01	Y-Lm Guide Ass'Y	~ 2012.03.26			2	
	LYF-BP001900		2012.03.27 ~				
H2-4-3	03071SC-A001	Hex.Socket Bolt (M3*L15)	~ 2010.09.29		O	30	
	DSC-BF015300		2010.09.30 ~		O		
H2-4-4	16019BT-UK06	Y-Drive Timing Belt	~ 2012.08.05			1	
	PBT-BC005200		2012.08.06 ~				
H2-4-5	15017SC-4113	Hex. Socket Bolt (M8*L45)	~ 2011.07.27		O	16	
	DSC-AC005000		2011.07.28 ~		O		
H2-4-6	15095SW-3115	Spring Washer (@8)	~ 2010.05.27		O	44	
	PWS-CA002000		2010.05.28 ~		O		
H2-4-7	04029SW-A001	Stud Bolt Washer(S) (@8)	~ 2009.10.28		O	60	
	DWS-AA009900		2009.10.29 ~		O		
H2-4-8	15020SC-4113	Hex,Socket Bolt (M8*L50)	~ 2011.04.27		O	4	
	PSC-AC018800		2011.04.28 ~		O		
H2-4-9	16074PR-UK06	Y-Lm Support Fixing Plate	~ 2012.03.26			2	
	LYF-BJ002000		2012.03.27 ~				
H2-4-10	14002SC-7113	Hex.Socket Bolt (M6*L15)	~ 2009.08.27		O	4	
	PSC-AC005800		2009.08.28 ~		O		
H2-4-11	16014SW-4115	Spring Washer (@6)	~ 2009.07.28		O	4	
	PWS-CA001000		2009.07.29 ~		O		
H2-4-12	08057SW-1111	Washer (@6)	~ 2009.07.28		O	4	
	PWS-AA001400		2009.07.29 ~		O		
H2-4-13	08076SC-7113	HEX. SOCKET BOLT (M5*L12)	~ 2011.04.27		O	4	
	PSC-AC018600		2011.04.28 ~		O		
H2-4-14	18048SW-3115	Spring Washer (@5)	~ 2009.07.28		O	4	
	PWS-CA000800		2009.07.29 ~		O		
H2-4-15	16018SW-1111	Washer (@5)	~ 2011.04.27		O	4	
	PWS-AA004600		2011.04.28 ~		O		
H2-4-16	03101300UH00	Sensor Bracket	~ 2012.03.26			1	
	LYF-BB003400		2012.03.27 ~				
H2-4-17	02015SC-7113	Hex.Socket Bolt(M4*L10)	~ 2009.09.28		O	2	
	PSC-AC007100		2009.09.29 ~		O		
H2-4-18	02028SW-9115	Spring Washer (@4)	~ 2009.07.28		O	2	
	PWS-CA000700		2009.07.29 ~		O		
H2-4-19	05009SW-1111	Washer (@4-L)	~ 2011.02.24		O	2	
	PWS-AA004400		2011.02.25 ~		O		
H2-4-20	09018EL-UK01	Y-Positioning Sensor				1	
H2-4-21	08006SC-8118	Plus Screw (M3*L5)	~ 2010.12.30		O	2	
	PSC-BD001100		2010.12.31 ~		O		
H2-4-22	03100500UH00	Y-Tension Adjusting Bracket	~ 2012.02.12			2	
	GP-049431-00		2012.02.13 ~				
H2-4-23	12018BR-T121	Needle Bearing Hk1010(Ina)	~ 2010.06.27		O	4	
	PBR-BA003700		2010.06.28 ~		O		
H2-4-24	04500100U000	Timing Pulley "A"	~ 2012.03.26			2	
	DPL-BC009500		2012.03.27 ~				



H2-4

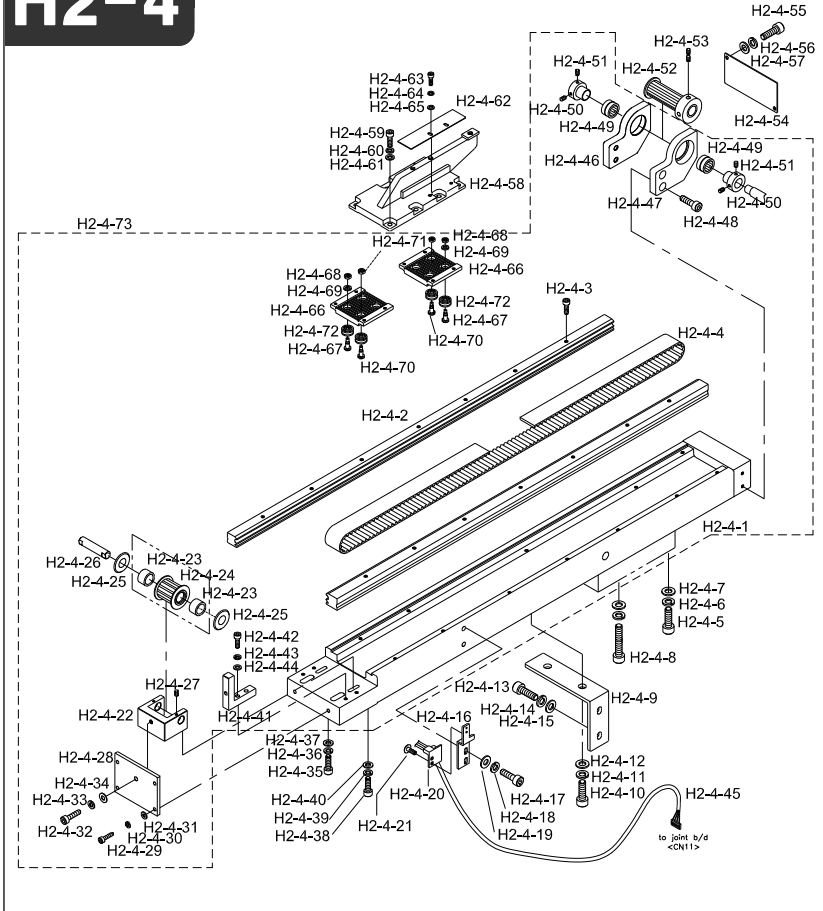


Note

Ref.No	PartNo.	PartName	Application date	Interchangeability	Hardware	Qty	Remarks
H2-4-25	12019BR-T121	Fiber Washer R-Tw1020	~ 2010.06.27			4	
	PWS-AA003100		2010.06.28 ~				
H2-4-26	03004200U000	Timing Pulley Pin (Y)				2	
H2-4-27	08007SC-4517	Hex. Socket Set Screw (M3*L5)	~ 2010.03.30		O	2	
	PSC-CB000900		2010.03.31 ~		O		
H2-4-28	03100600UH00	Tension Adjusting Plate	~ 2012.03.26			2	
	LYF-BJ002100		2012.03.27 ~				
H2-4-29	07016SC-7113	Hex.Socket Bolt (M4*L12)	~ 2009.07.28		O	6	
	PSC-AC004900		2009.07.29 ~		O		
H2-4-30	02028SW-9115	Spring Washer (@4)	~ 2009.07.28		O	6	
	PWS-CA000700		2009.07.29 ~		O		
H2-4-31	05009SW-1111	Washer (@4-L)	~ 2011.02.24		O	6	
	PWS-AA004400		2011.02.25 ~		O		
H2-4-32	16028SC-7113	Hex. Socket Bolt (M5*L25)	~ 2012.02.26		O	4	
	PSC-AC024300		2012.02.27 ~		O		
H2-4-33	18048SW-3115	Spring Washer (@5)	~ 2009.07.28		O	4	
	PWS-CA000800		2009.07.29 ~		O		
H2-4-34	16018SW-1111	Washer (@5)	~ 2011.04.27		O	4	
	PWS-AA004600		2011.04.28 ~		O		
H2-4-35	08091SC-7113	Hex. Socket Bolt (M6*L20)	~ 2009.06.01		O	4	
	PSC-AC002000		2009.06.02 ~		O		
H2-4-36	16014SW-4115	Spring Washer (@6)	~ 2009.07.28		O	4	
	PWS-CA001000		2009.07.29 ~		O		
H2-4-37	08057SW-1111	Washer (@6)	~ 2009.07.28		O	4	
	PWS-AA001400		2009.07.29 ~		O		
H2-4-38	11029SC-4113	Hex. Socket Bolt (M4*L20)	~ 2009.07.28		O	4	
	PSC-AC005000		2009.07.29 ~		O		
H2-4-39	18014SW-3115	Spring Washer (@4)	~ 2009.07.28		O	4	
	PWS-CA000900		2009.07.29 ~		O		
H2-4-40	18015SW-3111	Washer (@4)	~ 2009.06.07		O	4	
	PWS-AA001000		2009.06.08 ~		O		
H2-4-41	03100700UH00	Fixed Block	~ 2012.02.13			2	
	GP-054946-01		2012.02.14 ~ 2012.03.21				
	LYF-BK002000		2012.03.22 ~				
H2-4-42	11029SC-4113	Hex. Socket Bolt (M4*L20)	~ 2009.07.28		O	8	
	PSC-AC005000		2009.07.29 ~		O		
H2-4-43	18014SW-3115	Spring Washer (@4)	~ 2009.07.28		O	8	
	PWS-CA000900		2009.07.29 ~		O		
H2-4-44	18015SW-3111	Washer (@4)	~ 2009.06.07		O	8	
	PWS-AA001000		2009.06.08 ~		O		
H2-4-45	25054EL-UK01	Cable (25-54)	~ 2004.12.01			1	
	SH-35-01		2004.12.02 ~				
H2-4-46	03100900UH00	Y-Bearing Bracket (L)	~ 2017.07.03			2	
	LYF-BB003202		2017.07.04 ~				
H2-4-47	03101000UH00	Y-Bearing Bracket (R)	~ 2017.07.03			2	
	LYF-BB003302		2017.07.04 ~				
H2-4-48	16059SC-7113	Hex. Socket Bolt (M6*L12)	~ 2011.04.27		O	8	
	PSC-AC018900		2011.04.28 ~		O		
H2-4-49	01029BR-A001	Needle Bearing (6002Z)	~ 2011.04.27		O	8	
	PBR-AA011400		2011.04.28 ~		O		



H2-4

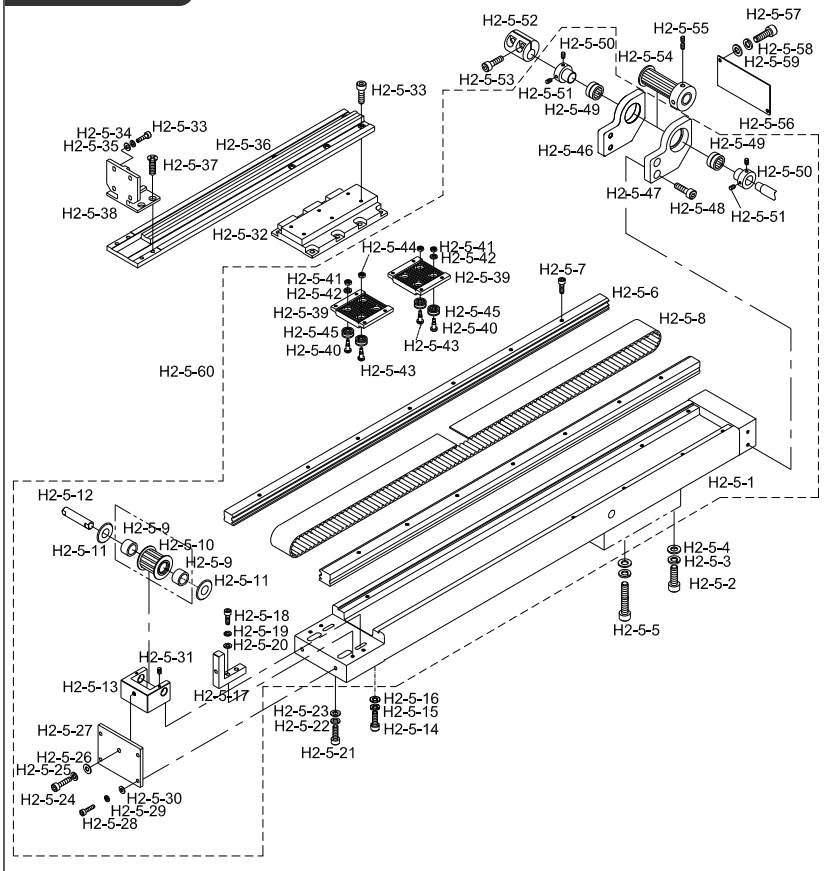


Ref.No	PartNo.	PartName	Application date	Interchangeability	Hardware	Qty	Remarks
H2-4-50	14058CW-A001	Bearing Collar	~ 2009.10.28			8	
	DBS-AA000600		2009.10.29 ~				
H2-4-51	04012AF-A001	Hook Shaft Bush Screw	~ 2010.12.30			16	
	DSC-CB003200		2010.12.31 ~				
H2-4-52	PL-000011-00	TIMING PULLEY(16-S5M-32F)		X		2	
H2-4-53	04014SC-4517	Hex.Socket Set Screw(M5*L5)	~ 2009.06.07		O	8	
	PSC-CB000300		2009.06.08 ~		O		
H2-4-54	GP-047317-00	Y-Bearing Bracket Cover				2	
H2-4-55	02023SC-7113	Hex. Socket Bolt (M4*L8)	~ 2009.07.28		O	8	
	PSC-AC004100		2009.07.29 ~		O		
H2-4-56	02028SW-9115	Spring Washer (@4)	~ 2009.07.28		O	8	
	PWS-CA000700		2009.07.29 ~		O		
H2-4-57	05009SW-1111	Washer (@4-L)	~ 2011.02.24		O	8	
	PWS-AA004400		2011.02.25 ~		O		
H2-4-58	GP-005021-00	X-Y Connecting Bracket	~ 2010.06.09	X			
	GP-005021-01		2010.06.10 ~			2	
H2-4-59	LYF-BB002600		2012.03.27 ~				
	02015SC-7113		~ 2009.09.28		O	16	
H2-4-60	PSC-AC007100	Hex.Socket Bolt(M4*L10)	2009.09.29 ~		O		
	18014SW-3115		~ 2009.07.28		O	16	
H2-4-61	PWS-CA000900	Spring Washer (@4)	2009.07.29 ~		O		
	18015SW-3111		~ 2009.06.07		O	16	
H2-4-62	PWS-AA001000	Washer (@4)	2009.06.08 ~		O		
	03101400UH00		Sensing Plate (Y)				1
H2-4-63	22006SC-7113	Hex. Socket Bolt (M3*L8)	~ 2009.07.28		O	2	
	PSC-AC002800		2009.07.29 ~		O		
H2-4-64	11019SW-9115	Spring Washer (3@)	~ 2009.10.08		O	2	
	PWS-CA001800		2009.10.09 ~		O		
H2-4-65	08011SW-1111	Spring Washer (@3-S)	~ 2011.04.27		O	2	
	PWS-CA002800		2011.04.28 ~		O		
H2-4-66	16104CL-H001	Belt Catcher Plate(Y)	~ 2012.03.21			4	
	LYF-BK002100		2012.03.22 ~				
H2-4-67	15002CW-B001	Cam Roller Stud (A)	~ 2009.10.28			8	
	DSC-GA000700		2009.10.29 ~				
H2-4-68	15029SN-3211	Hex. Nut (M4-No2)	~ 2009.10.28		O	8	
	PSN-AA002500		2009.10.29 ~		O		
H2-4-69	02028SW-9115	Spring Washer (@4)	~ 2009.07.28		O	8	
	PWS-CA000700		2009.07.29 ~		O		
H2-4-70	15003CW-B001	Cam Roller Stud (B)	~ 2009.10.28			8	
	DSC-BF010700		2009.10.29 ~				
H2-4-71	12010SN-1211	Hex.Nut (M5)	~ 2009.10.28		O	8	
	PSN-AA002600		2009.10.29 ~		O		
H2-4-72	15001BR-B001	Cam Roller Bearing	~ 2009.10.28			16	
	PBR-FK000100		2009.10.29 ~				
H2-4-73	AS-016065-00	Y-Frame Assy (Wide)		X		2	

Note



H2-5

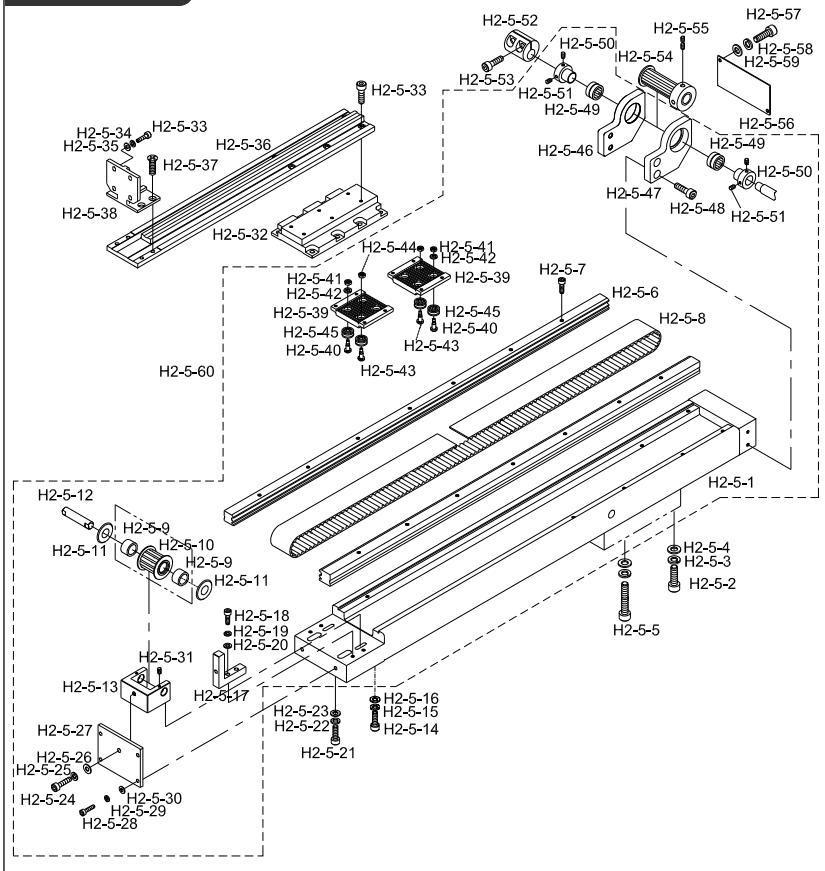


Note

Ref.No	PartNo.	PartName	Application date	Interchangeability	Hardware	Qty	Remarks
H2-5-1	GP-047345-00	Y-Lm Guide Support "A" (L)				1	
H2-5-2	15017SC-4113	Hex. Socket Bolt (M8*L45)	~ 2011.07.27		O	16	
	DSC-AC005000		2011.07.28 ~		O		
H2-5-3	15095SW-3115	Spring Washer (@8)	~ 2010.05.27		O	16	
	PWS-CA002000		2010.05.28 ~		O		
H2-5-4	04029SW-A001	Stud Bolt Washer(S) (@8)	~ 2009.10.28		O	16	
	DWS-AA009900		2009.10.29 ~		O		
H2-5-5	15020SC-4113	Hex,Socket Bolt (M8*L50)	~ 2011.04.27		O	4	
	PSC-AC018800		2011.04.28 ~		O		
H2-5-6	03100100UH01	Y-Lm Guide Ass'Y	~ 2012.03.26			2	
	LYF-BP001900		2012.03.27 ~				
H2-5-7	03071SC-A001	Hex.Socket Bolt (M3*L15)	~ 2010.09.29			30	
	DSC-BF015300		2010.09.30 ~				
H2-5-8	16093BT-UK06	Y-Drive Timing Belt "B"(L=1295)	~ 2012.08.05			2	
	PBT-BC005300		2012.08.06 ~				
H2-5-9	15042BR-A001	Needle Bearing (1210Zz)	~ 2009.10.28		O	4	
	PBR-BA002000		2009.10.29 ~		O		
H2-5-10	04500100U000	TIMING PULLEY(16-S5M-32F)	~ 2012.03.26			1	
	DPL-BC009500		2012.03.27 ~				
H2-5-11	03200200B000	Lower Shaft Timing Pulley				1	
H2-5-12	16100CW-UK06	Timing Pulley Shaft (Y)	~ 2012.03.26			2	
	LYF-KC001500		2012.03.27 ~				
H2-5-13	03100500UH00	Y-Tension Adjusting Bracket				2	
H2-5-14	11029SC-4113	Hex. Socket Bolt (M4*L20)	~ 2009.07.28		O	8	
	PSC-AC005000		2009.07.29 ~		O		
H2-5-15	18014SW-3115	Spring Washer (@4)	~ 2009.07.28		O	8	
	PWS-CA000900		2009.07.29 ~		O		
H2-5-16	18015SW-3111	Washer (@4)	~ 2009.06.07		O	8	
	PWS-AA001000		2009.06.08 ~		O		
H2-5-17	03100700UH00	Fixed Block	~ 2012.02.13			2	
	GP-054946-01		2012.02.14 ~ 2012.03.21				
H2-5-18	11029SC-4113	Hex. Socket Bolt (M4*L20)	~ 2009.07.28		O	8	
	PSC-AC005000		2009.07.29 ~		O		
H2-5-19	18014SW-3115	Spring Washer (@4)	~ 2009.07.28		O	8	
	PWS-CA000900		2009.07.29 ~		O		
H2-5-20	18015SW-3111	Washer (@4)	~ 2009.06.07		O	8	
	PWS-AA001000		2009.06.08 ~		O		
H2-5-21	08091SC-7113	Hex. Socket Bolt (M6*L20)	~ 2009.06.01		O	4	
	PSC-AC002000		2009.06.02 ~		O		
H2-5-22	16014SW-4115	Spring Washer (@6)	~ 2009.07.28		O	4	
	PWS-CA001000		2009.07.29 ~		O		

H2

H2-5

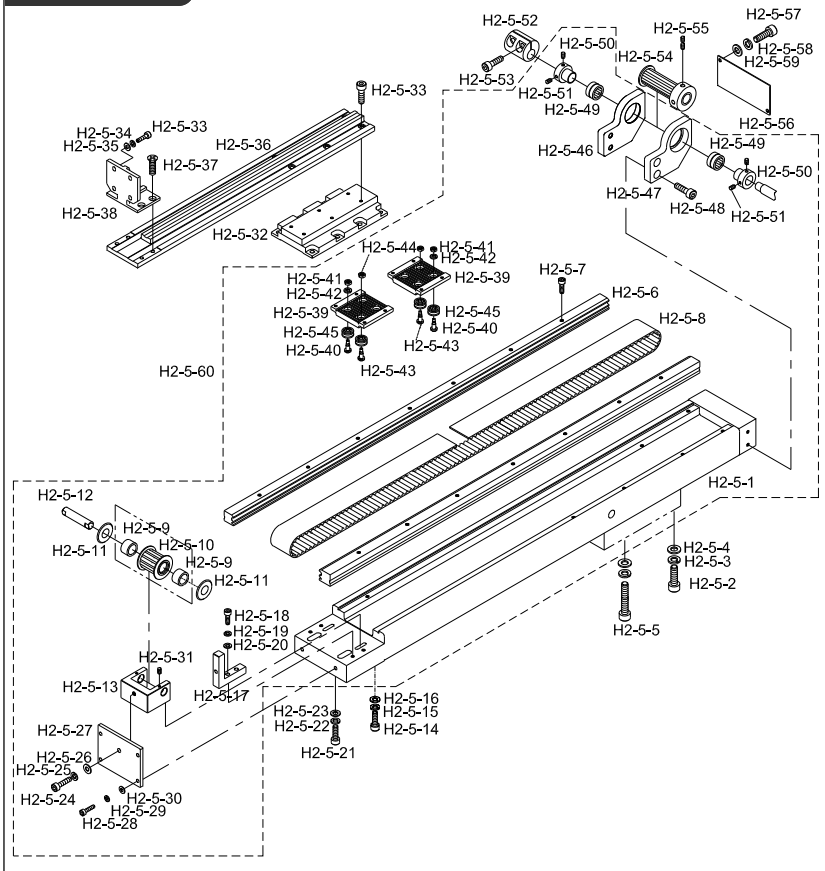


Note

Ref.No	PartNo.	PartName	Application date	Interchangeability	Hardware	Qty	Remarks
H2-5-23	08057SW-1111	Washer (@6)	~ 2009.07.28		O	4	
	PWS-AA001400		2009.07.29 ~		O		
H2-5-24	16028SC-7113	Hex. Socket Bolt (M5*L25)	~ 2012.02.26		O	4	
	PSC-AC024300		2012.02.27 ~		O		
H2-5-25	18048SW-3115	Spring Washer (@5)	~ 2009.07.28		O	4	
	PWS-CA000800		2009.07.29 ~		O		
H2-5-26	16018SW-1111	Washer (@5)	~ 2011.04.27		O	4	
	PWS-AA004600		2011.04.28 ~		O		
H2-5-27	03100900UH80	Tension Adjusting Plate (B)	~ 2012.03.26			2	
	LYF-BJ002300		2012.03.27 ~				
H2-5-28	07016SC-7113	Hex.Socket Bolt (M4*L12)	~ 2009.07.28		O	6	
	PSC-AC004900		2009.07.29 ~		O		
H2-5-29	02028SW-9115	Spring Washer (@4)	~ 2009.07.28		O	6	
	PWS-CA000700		2009.07.29 ~		O		
H2-5-30	05009SW-1111	Washer (@4-L)	~ 2011.02.24		O	6	
	PWS-AA004400		2011.02.25 ~		O		
H2-5-31	08007SC-4517	Hex. Socket Set Screw (M3*L5)	~ 2010.03.30		O	8	
	PSC-CB000900		2010.03.31 ~		O		
H2-5-32	03100300UH80	Bracket For Y-Sensing	~ 2012.03.26			2	
	LYF-BB003500		2012.03.27 ~				
H2-5-33	18013AF-7113	Hex. Socket Bolt (M4*L10)			O	20	
H2-5-34	18014SW-3115	Spring Washer (@4-No2)	~ 2009.07.28		O	8	
	PWS-CA000900		2009.07.29 ~		O		
H2-5-35	18015SW-3111	Washer (4@)	~ 2009.06.07		O	8	
	PWS-AA001000		2009.06.08 ~		O		
H2-5-36	03100400UH80	X-Drive Connecting Plate	~ 2012.03.26			2	
	LXF-BC002500		2012.03.27 ~				
H2-5-37	02002SC-7119	Plus Screw (M4*L8)	~ 2010.12.30		O	8	
	PSC-BB002100		2010.12.31 ~		O		
H2-5-38	03101600UH80	X-FRAME HOLDER	~ 2012.03.26			2	
	LXF-BF000200		2012.03.27 ~				
H2-5-39	16104CL-H001	Belt Catcher Plate(Y)	~ 2009.01.13			4	
	GP-044106-00		2009.01.14 ~ 2009.05.07				
	GP-044106-01		2009.05.08 ~ 2009.05.14				
	GP-044106-02		2009.05.15 ~ 2012.03.26				
	LYF-BK002100		2012.03.27 ~				
H2-5-40	15002CW-B001	Cam Roller Stud (A)	~ 2009.10.28			8	
	DSC-GA000700		2009.10.29 ~				
H2-5-41	15029SN-3211	Hex. Nut (M4-No2)	~ 2009.10.28		O	8	
	PSN-AA002500		2009.10.29 ~		O		
H2-5-42	02028SW-9115	Spring Washer (@4)	~ 2009.07.28		O	8	
	PWS-CA000700		2009.07.29 ~		O		



H2-5

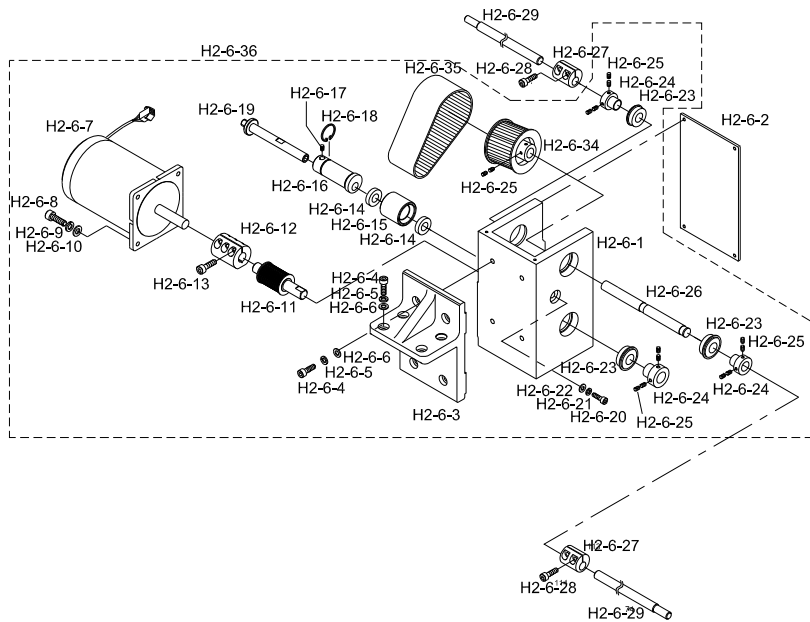


Note

Ref.No	PartNo.	PartName	Application date	Interchangeability	Hardware	Qty	Remarks
H2-5-43	15003CW-B001	Cam Roller Stud (B)	~ 2009.10.28			8	
	DSC-BF010700		2009.10.29 ~				
H2-5-44	12010SN-1211	Hex.Nut (M5)	~ 2009.10.28		O	8	
	PSN-AA002600		2009.10.29 ~		O		
H2-5-45	15001BR-B001	Cam Roller Bearing	~ 2009.10.28			16	
	PBR-FK000100		2009.10.29 ~				
H2-5-46	03100900UH00	Y-Bearing Bracket (L)	~ 2009.05.07			2	
	GP-044779-00		2009.05.08 ~ 2009.09.13				
	GP-044779-01		2009.09.14 ~ 2011.11.21				
	GP-044779-02		2011.11.22 ~ 2012.01.05				
H2-5-47	03101000UH00	Y-Bearing Bracket (R)	~ 2009.05.07			2	
	GP-044778-00		2009.05.08 ~ 2009.09.13				
	GP-044778-01		2009.09.14 ~ 2011.11.21				
	GP-044778-02		2011.11.22 ~ 2012.01.05				
H2-5-48	16059SC-7113	Hex. Socket Bolt (M6*L12)	~ 2011.04.27		O	8	
	PSC-AC018900		2011.04.28 ~		O		
H2-5-49	01029BR-A001	Needle Bearing (6002Z)	~ 2011.04.27		O	8	
	PBR-AA011400		2011.04.28 ~		O		
H2-5-50	14058CW-A001	Bearing Collar	~ 2009.10.28			8	
	DBS-AA000600		2009.10.29 ~ 2011.10.16				
	DBS-AA000601		2011.10.17 ~ 2012.04.26				
	DBS-AA000602		2012.04.27 ~				
H2-5-51	04012AF-A001	Hook Shaft Bush Screw	~ 2010.12.30			16	
	DSC-CB003200		2010.12.31 ~				
H2-5-52	GP-005380-00	Coupling	~ 2012.03.26	X		1	
	DCR-AH001500		2012.03.27 ~ 2013.09.09				
H2-5-53	03016SC-4113	Hex. Socket Bolt (M5*L15)	~ 2010.12.30		O	2	
	PSC-AC017400		2010.12.31 ~		O		
H2-5-54	PL-000011-00	TIMING PULLEY (16-S5M-32F)		X		1	
H2-5-55	14060AF-4517	Hex.Socket Screw (M6*L6)	~ 2010.12.30		O	8	
	PSC-CB004800		2010.12.31 ~		O		
H2-5-56	16122PR-UK06	Y-Lm Guide Support Cover (B)				2	
H2-5-57	07016SC-7113	Hex.Socket Bolt (M4*L12)	~ 2009.07.28		O	4	
	PSC-AC004900		2009.07.29 ~		O		
H2-5-58	02028SW-9115	Spring Washer (@4)	~ 2009.07.28		O	4	
	PWS-CA000700		2009.07.29 ~		O		
H2-5-59	05009SW-1111	Washer (@4-L)	~ 2011.02.24		O	4	
	PWS-AA004400		2011.02.25 ~		O		
H2-5-60	AS-016066-00	Y-Frame Assy (Small)	~ 2009.08.09	X		2	
	AS-016066-01		2009.08.10 ~		△		

H2

H2-6

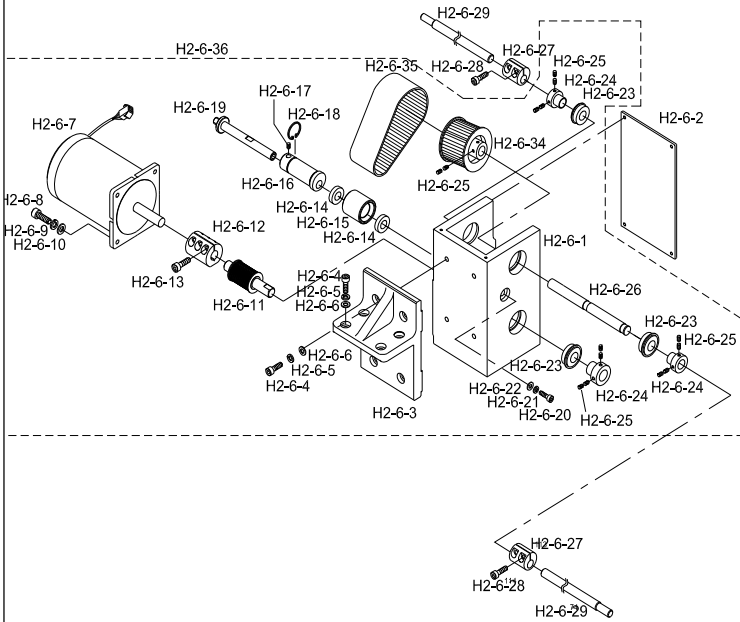


Ref.No	PartNo.	PartName	Application date	Interchangeability	Hardware	Qty	Remarks
H2-6-1	GP-007511-00	Y-Driving Box		X		1	
H2-6-2	GP-005374-00	Y-Driving Box CoverA	~ 2012.03.26	X		1	
	LYF-LB000300		2012.03.27 ~				
H2-6-3	GP-007513-00	Y-Driving Box Bracket	~ 2011.10.03	X		1	
	GP-007513-02		2011.10.04 ~ 2012.03.26				
H2-6-4	LYF-BB003100		2012.03.27 ~				
	03003SC-4113		~ 2009.09.28				
H2-6-5	PSC-AC007700	Hex. Socket Bolt "B"(M8*L35)	~ 2009.09.29 ~		O	8	
	15095SW-3115		~ 2010.05.27				
H2-6-6	PWS-CA002000	Spring Washer (@8)	2010.05.28 ~		O	8	
	04029SW-A001		~ 2009.10.28				
H2-6-7	DWS-AA009900	Stud Bolt Washer(S) (@8)	2009.10.29 ~		O	8	
	16059MT-E131		~ 2005.03.09				
H2-6-8	15027MT-UI12	Y Motor (103H89222-5212)	2005.03.10 ~		O	1	
	14046SC-7113		~ 2011.12.26				
H2-6-9	PSC-AC023500	Hex.Socket Bolt (M6*L30)	2011.12.27 ~		O	4	
	16014SW-4115		~ 2009.07.28				
H2-6-10	PWS-CA001000	Spring Washer (@6)	2009.07.29 ~		O	4	
	08057SW-1111		~ 2009.07.28				
H2-6-11	PWS-AA001400	Washer (@6)	2009.07.29 ~		O	4	
	GP-044367-00		~ 2010.06.30				
H2-6-12	GP-044367-01	Y-Driving Timing Pulley	2010.07.01 ~ 2011.11.07	△		1	
	GP-044367-02		2011.11.08 ~ 2012.03.26				
	DPL-BC009600		2012.03.27 ~				
	GP-005380-00		~ 2012.03.26				
H2-6-13	DCR-AH001500	Coupling	2012.03.27 ~ 2013.09.09			1	
	DCR-AH001501		2013.09.10 ~				
H2-6-14	14061AF-4517	Hex. Socket Bolt (M8*L8)	~ 2009.10.28		O	2	
	PSC-CB001400		2009.10.29 ~				
H2-6-15	03200400I000	Roller Bearing	~ 2011.04.27			2	
	PBR-AA011300		2011.04.28 ~				
H2-6-16	GP-005379-00	Tension Adjusting Roller	~ 2012.03.26	X		1	
	LYF-CL000400		2012.03.27 ~				
H2-6-17	GP-005378-00	Idler Bush	~ 2012.03.26	X		1	
	DBS-DB017900		2012.03.27 ~				
H2-6-18	14060AF-4517	Hex. Socket Bolt (M6*L6)	~ 2010.12.30		O	1	
	PSC-CB004800		2010.12.31 ~				
H2-6-19	03200700I000	C-Ring	~ 2011.04.27		O	1	
	PSR-AA001900		2011.04.28 ~				

Note

H2

H2-6

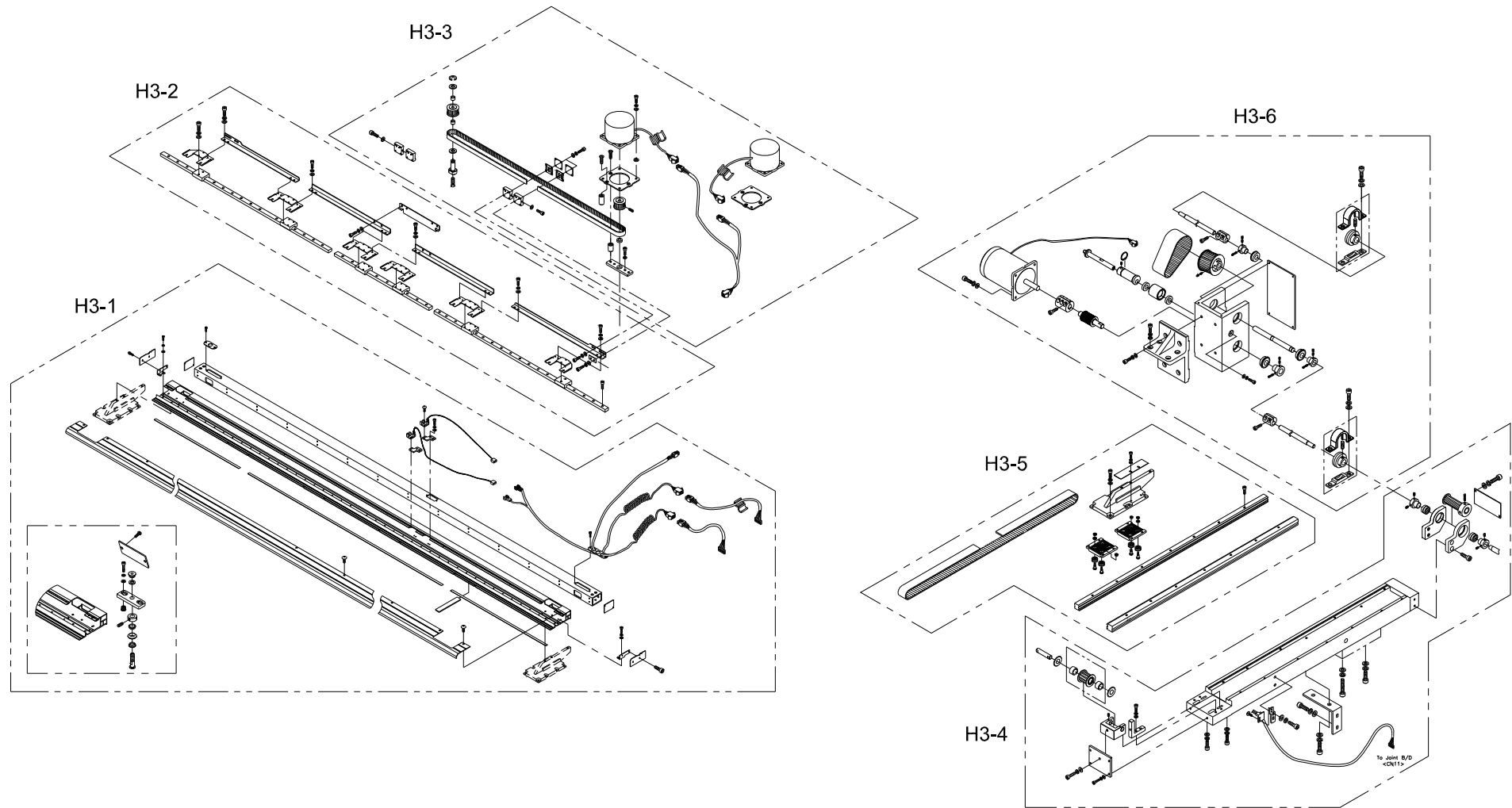


Note

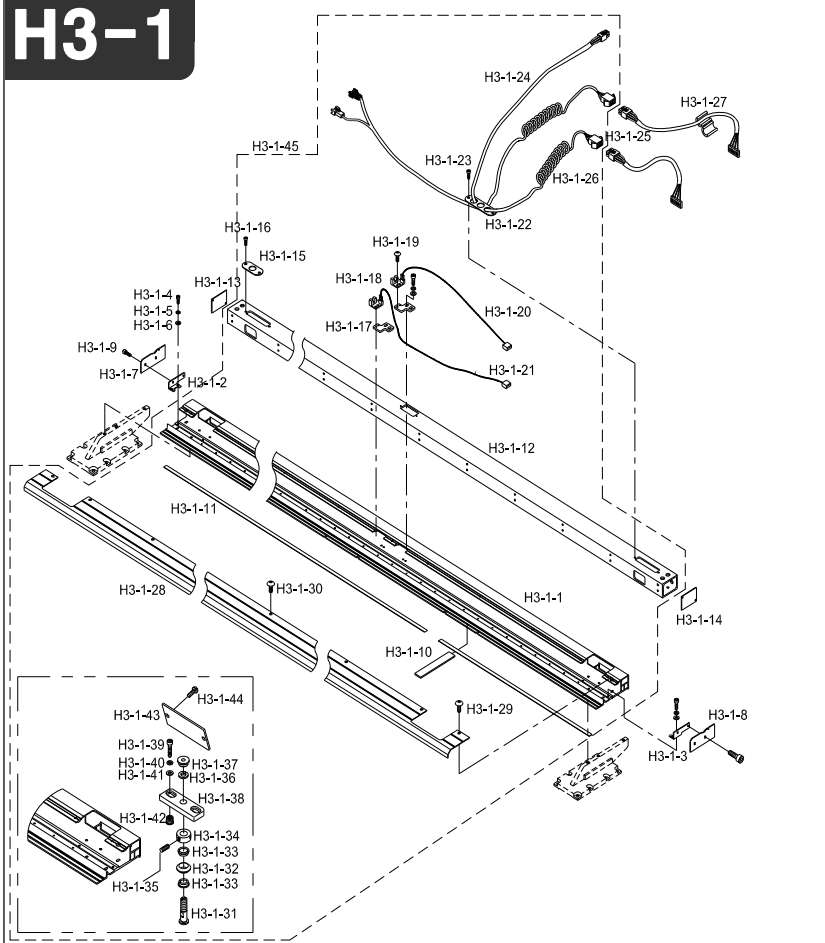
Ref.No	PartNo.	PartName	Application date	Interchangeability	Hardware	Qty	Remarks
H2-6-19	GP-007512-00	Idler Shaft	~ 2012.03.25	X		1	
	GP-007512-01		2012.03.26 ~ 2012.03.26	△			
	LYF-KF003100		2012.03.27 ~ 2013.01.03				
	LYF-KF003101		2013.01.04 ~				
H2-6-20	14002SC-7113	HEX.SOCKET BOLT (M6*L15)	~ 2009.08.27		O	5	
	PSC-AC005800		2009.08.28 ~				
H2-6-21	16014SW-4115	Spring Washer (@6)	~ 2009.07.28		O	5	
	PWS-CA001000		2009.07.29 ~				
H2-6-22	08057SW-1111	Washer	~ 2009.07.28			5	
	PWS-AA001400		2009.07.29 ~				
H2-6-23	01029BR-A001	Bearing(6004zz)	~ 2011.04.27		O	3	
	PBR-AA011400		2011.04.28 ~				
H2-6-24	14058CW-A001	Bearing Stopper Collar	~ 2009.10.28			3	
	DBS-AA000600		2009.10.29 ~				
H2-6-25	04012AF-A001	Screw(15/64-28)	~ 2010.12.30		O	8	
	DSC-CB003200		2010.12.31 ~				
H2-6-26	GP-007516-00	Y-Driving Shaft "B"			X	2	
	GP-004159-00	Y-Driving Shaft	~ 2005.04.26		X	2	
	GP-004159-01		2005.04.27 ~		△		
H2-6-27	03005100U000	Coupling "A"				4	
H2-6-28	03016SC-4113	Hex. Socket Bolt (M5*L15)	~ 2010.12.30		O	8	
	PSC-AC017400		2010.12.31 ~		O		
H2-6-29	ST-000010-00	Y-Driving Shaft "A" L=1049	~ 2009.07.14		X	2	
	ST-000010-01		2009.07.15 ~		△		
H2-6-34	03200200B000	Lower Shaft Timing Pulley				1	
H2-6-35	BE-000023-00	Y-Driving Timing Belt			X	1	
H2-6-36	AS-015304-00	Y-Driving Pulley Box Assy	~ 2009.02.01			1	
	AS-015304-01		2009.02.02 ~ 2009.08.30				
	AS-015304-02		2009.08.31 ~ 2010.04.11				
	AS-015304-03		2010.04.12 ~				

H2

X-Y Drive (UH1206-45)



H3-1

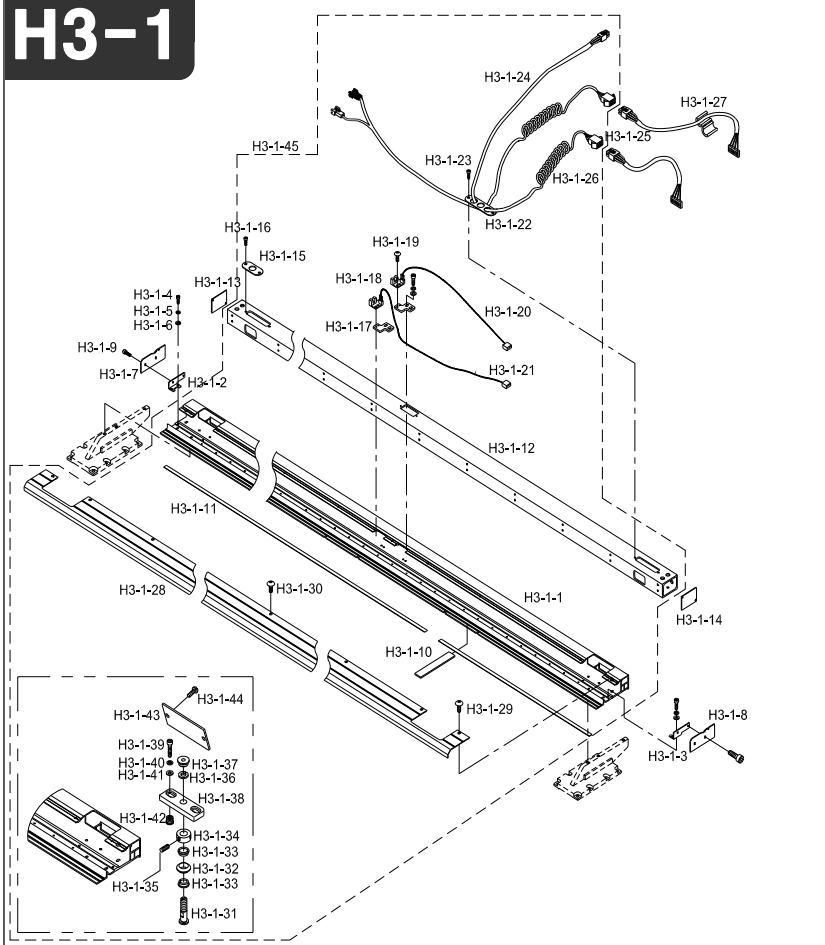


Note

Ref.No	PartNo.	PartName	Application date	Interchangeability	Hardware	Qty	Remarks
H3-1-1	GP-005120-00	X-LM GUIDE FRAME L2935	~ 2005.06.16	X		1	
	GP-005120-01		2005.06.17 ~ 2010.12.01	△			
	GP-005120-02		2010.12.02 ~				
H3-1-2	GP-005104-00	X-FRAME SIDE COVER HOLDER (L)	~ 2012.03.26	X		1	
	LXF-BG000100		2012.03.27 ~				
H3-1-3	GP-005105-00	X-FRAME SIDE COVER HOLDER (R)	~ 2012.03.26	X		1	
	LXF-BG000200		2012.03.27 ~				
H3-1-4	02023SC-7113	Hex. Socket Bolt (M4*L8)	~ 2009.07.28		O	8	
	PSC-AC004100		2009.07.29 ~		O		
H3-1-5	02028SW-9115	Spring Washer (@4)	~ 2009.07.28		O	8	
	PWS-CA000700		2009.07.29 ~		O		
H3-1-6	05009SW-1111	Washer (@4-L)	~ 2011.02.24		O	8	
	PWS-AA004400		2011.02.25 ~		O		
H3-1-7	GP-005106-00	X-AXIS FRAME SIDE COVER (L)	~ 2012.03.26	X		1	
	LXF-LB000500		2012.03.27 ~				
H3-1-8	GP-005107-00	X-AXIS FRAME SIDE COVER (R)	~ 2012.03.26	X		1	
	LXF-LB000600		2012.03.27 ~				
H3-1-9	15042SC-3123	Truss Screw (M4*L6)	~ 2010.03.30		O	4	
	PSC-BH000600		2010.03.31 ~		O		
H3-1-10	15062SF-T121	Felt	~ 2012.03.26			8	
	LLB-JL001600		2012.03.27 ~				
H3-1-11	03200700UH00	Tubular Frame Rail Plate				1	
H3-1-12	GP-005121-00	X-FRAME SUPPORT BAR L2931	~ 2010.07.13	X		1	
	GP-005121-01		2010.07.14 ~ 2010.07.19	△			
	GP-005121-02		2010.07.20 ~				
H3-1-13	GP-005108-00	X-FRAME SUPPORT BAR COVER(L)		X		1	
H3-1-14	GP-005109-00	X-FRAME SUPPORT BAR COVER(R)		X		1	
H3-1-15	15082PR-W121	FIXING PLATE FOR BUSHING	~ 2010.04.07			1	
	GP-048805-00		2010.04.08 ~				
H3-1-16	02023SC-7113	HEX.SOCKET BOLT (M4*L8)	~ 2009.07.28		O	4	
	PSC-AC004100		2009.07.29 ~		O		
H3-1-17	15067PR-UK01	Sensor Plate	~ 2012.03.26			2	
	LXF-BB002600		2012.03.27 ~				
H3-1-18	15043EL-UK01	X-Positioning Sensor				2	
H3-1-19	06010AF-8118	Plus Screw (M3*L4)	~ 2011.09.26		O	4	
	PSC-BH002900		2011.09.27 ~		O		
H3-1-20	25052EL-UK01	Last-Sensor (Black) 4Ht-52	~ 2004.12.01			1	
	SH-33-02		2004.12.02 ~				
H3-1-21	25053EL-UK01	Last-Sensor (White) 4Ht-53	~ 2004.12.01			1	
	SH-34-02		2004.12.02 ~				
H3-1-22	15087PR-UK02	Cable Plate For Bushing				1	

H3

H3-1

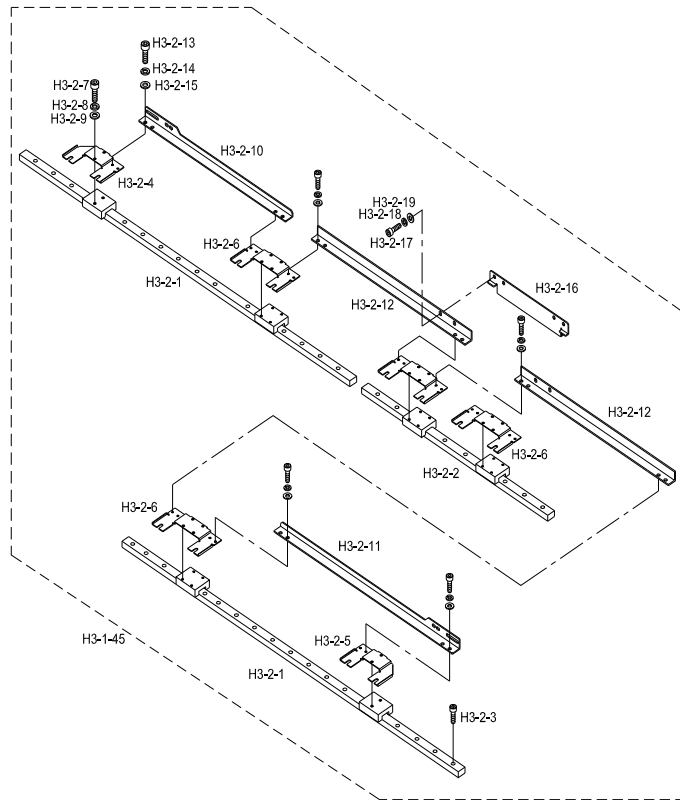


Note

Ref.No	PartNo.	PartName	Application date	Interchangeability	Hardware	Qty	Remarks
H3-1-23	02023SC-7113	HEX.SOCKET BOLT (M4*L8)	~ 2009.07.28		O	2	
	PSC-AC004100		2009.07.29 ~		O		
H3-1-24	25009EL-UK06	Cable (25-09)				1	
H3-1-25	25038EL-UK06	Cable (25-38)				1	
H3-1-26	25041EL-UK01	X Original In (4Ht-41)				1	
H3-1-27	15045EL-UK01	Bid (L)				1	
H3-1-28	03201300UH00	X-Cover (L=2931)				1	
H3-1-29	15042SC-3123	Truss Screw (M4*L6)	~ 2010.03.30		O	12	
	PSC-BH000600		2010.03.31 ~		O		
H3-1-30	18153SC-3123	Plus Screw (M4*L10)	~ 2009.10.28		O	2	
	PSC-BH000700		2009.10.29 ~		O		
H3-1-31	SC-001612-00	Roller Stud Bolt				4	
H3-1-32	15130AF-A001	Roller Guide	~ 2011.12.26			4	
	LYF-BN000100		2011.12.27 ~				
H3-1-33	15106BR-A001	Flange Bearing (1280Zz)	~ 2012.02.26		O	4	
	PBR-AA013900		2012.02.27 ~		O		
H3-1-34	15107CW-UK01	Roller Collar	~ 2011.03.10			4	
	CL-000362-00		2011.03.11 ~				
H3-1-35	03022SC-4517	Hex. Socket Set Screw (M4*L5)	~ 2009.08.27		O	8	
	PSC-CB000600		2009.08.28 ~		O		
H3-1-36	18048SW-3115	Spring Washer (5@)	~ 2009.07.28		O	4	
	PWS-CA000800		2009.07.29 ~		O		
H3-1-37	04032SN-A001	Hex. Nut (M8-No2)	~ 2011.02.24		O	2	
	DSN-AA005500		2011.02.25 ~		O		
H3-1-38	15100CL-UK01	Roller Fixed Plate	~ 2010.04.05			2	
	GP-048796-00		2010.04.06 ~				
H3-1-39	02023SC-7113	Hex.Socket Bolt (M4*L8)	~ 2009.07.28		O	4	
	PSC-AC004100		2009.07.29 ~		O		
H3-1-40	18014SW-3115	Spring Washer (@4-No2)	~ 2009.07.28		O	4	
	PWS-CA000900		2009.07.29 ~		O		
H3-1-41	18015SW-3111	Washer (4@)	~ 2009.06.07		O	4	
	PWS-AA001000		2009.06.08 ~		O		
H3-1-42	03201900UH00	X-Frame Screw Bush	~ 2012.03.26			4	
	DSN-CY002000		2012.03.27 ~				
H3-1-43	03000100UH00	Roller Plate Cover				2	
H3-1-44	22006SC-7113	Hex. Socket Bolt (M3*L8)	~ 2009.07.28		O	2	
	PSC-AC002800		2009.07.29 ~		O		
H3-1-45	AS-001328-00	X-Frame Assy(UH-6 Head)	~ 2009.05.14		X	1	
	AS-001328-01		2009.05.15 ~ 2011.06.14		△		
	AS-001328-02		2011.06.15 ~ 2012.06.28				
	AS-001328-03		2012.06.29 ~ 2013.07.01				
	AS-001328-04		2013.07.02 ~ 2016.09.08				
	AS-001328-05		2016.09.09 ~				

H3

H3-2

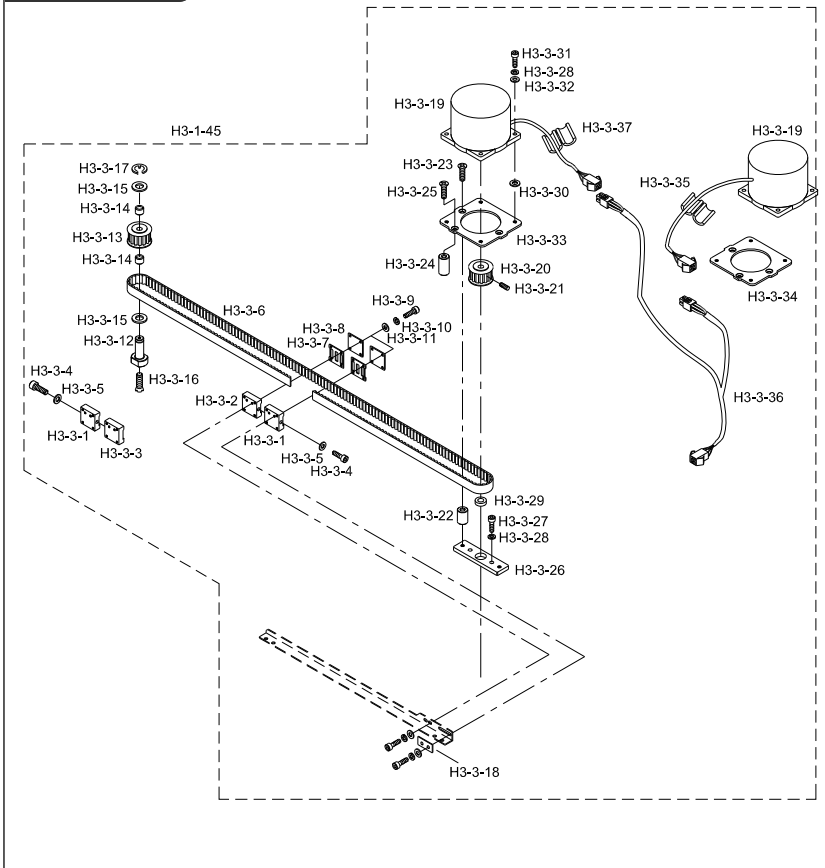


Ref.No	PartNo.	PartName	Application date	Interchangeability	Hardware	Qty	Remarks
H3-2-1	03200500UH00	X-Axis L/M Guide "A"	~ 2010.12.01			2	
	GP-051293-00		2010.12.02 ~				
H3-2-2	03200600UH00	X-Axis L/M "B"	~ 2010.12.01			1	
	GP-051303-00		2010.12.02 ~				
H3-2-3	22006SC-7113	Hex. Socket Bolt (M3*L8)	~ 2009.07.28		O	46	
	PSC-AC002800		2009.07.29 ~		O		
H3-2-4	15007PR-UK02	Connecting Plate(L)	~ 2012.03.26			1	
	LXF-BJ002800		2012.03.27 ~				
H3-2-5	15011PR-UK02	Connecting Plate(R)	~ 2012.03.26			1	
	LXF-BJ002900		2012.03.27 ~				
H3-2-6	15015PR-UK02	Connecting Plate	~ 2011.09.13			4	
	GP-053096-00		2011.09.14 ~				
	GP-053096-01		2011.10.11 ~				
H3-2-7	02015SC-7113	Hex.Socket Bolt(M4*L10)	~ 2009.09.28		O	8	
	PSC-AC007100		2009.09.29 ~		O		
H3-2-8	02028SW-9115	Spring Washer (@4)	~ 2009.07.28		O	8	
	PWS-CA000700		2009.07.29 ~		O		
H3-2-9	02063SW-1111	Washer(@4)	~ 2009.07.28		O	8	
	PWS-AA001300		2009.07.29 ~		O		
H3-2-10	03200800UH00	L/M Block Connecting Plate (L)				1	
H3-2-11	03200900UH00	L/M Block Connecting Plate (R)				1	
H3-2-12	03201000UH00	L/M Block Connecting Plate				2	
H3-2-13	02023SC-7113	Hex. Socket Bolt (M4*L8)	~ 2009.07.28		O	16	
	PSC-AC004100		2009.07.29 ~		O		
H3-2-14	02028SW-9115	Spring Washer (@4)	~ 2009.07.28		O	16	
	PWS-CA000700		2009.07.29 ~		O		
H3-2-15	05009SW-1111	Washer (@4-L)	~ 2011.02.24		O	16	
	PWS-AA004400		2011.02.25 ~		O		
H3-2-16	03201200UH00	X-Moving Sensor Plate				1	
H3-2-17	02023SC-7113	Hex. Socket Bolt (M4*L8)	~ 2009.07.28		O	6	
	PSC-AC004100		2009.07.29 ~		O		
H3-2-18	02028SW-9115	Spring Washer (@4)	~ 2009.07.28		O	6	
	PWS-CA000700		2009.07.29 ~		O		
H3-2-19	05009SW-1111	Washer (@4-L)	~ 2011.02.24		O	6	
	PWS-AA004400		2011.02.25 ~		O		

Note

H3

H3-3

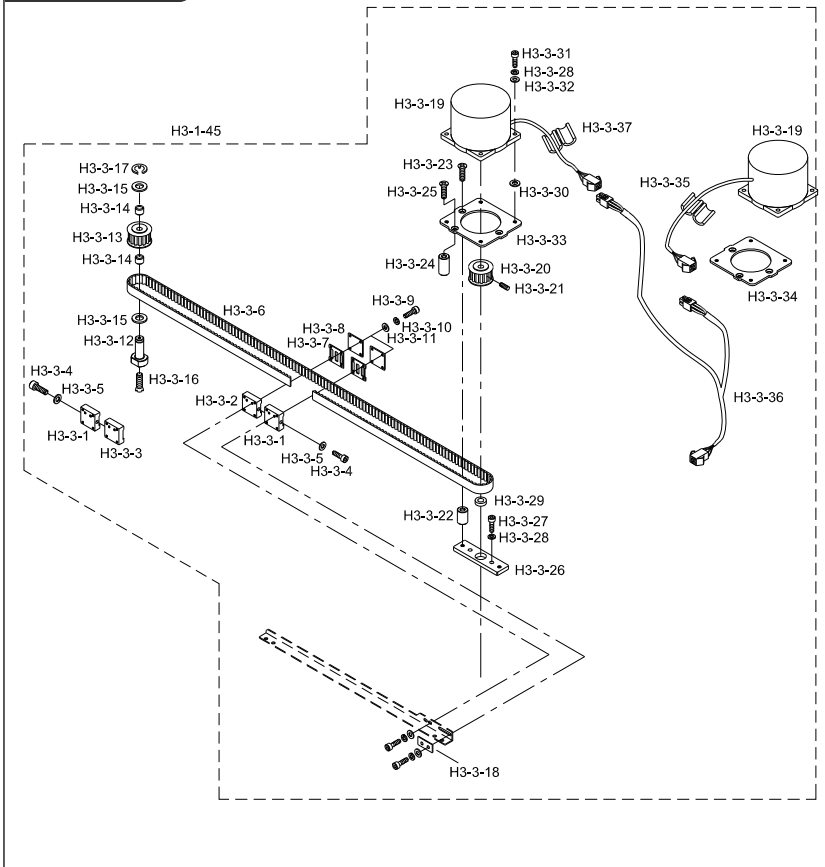


Note

Ref.No	PartNo.	PartName	Application date	Interchangeability	Hardware	Qty	Remarks
H3-3-1	14045AD-UK01	Belt Bracket (B)	~ 2012.03.26			2	
	LXF-BB002700		2012.03.27 ~				
H3-3-2	14049AD-UK01	Belt Bracket (C)	~ 2012.03.26			1	
	LXF-BB002900		2012.03.27 ~				
H3-3-3	14048AD-UK01	Belt Bracket (A)	~ 2012.03.26			1	
	LXF-BB002800		2012.03.27 ~				
H3-3-4	15034SC-4113	Hex. Socket Boit (M4*L45)	~ 2012.03.26		O	2	
	PSC-AC024500		2012.03.27 ~		O		
H3-3-5	05009SW-1111	Washer (@4-L)	~ 2011.02.24		O	2	
	PWS-AA004400		2011.02.25 ~		O		
H3-3-6	03201100UH00	X-Timing Belt (L=1260)				2	
H3-3-7	14051PR-UK01	Fixing Plate	~ 2012.03.26			4	
	LXF-BJ003100		2012.03.27 ~				
H3-3-8	14052PR-UK01	Fixing Plate Holder	~ 2012.03.26			4	
	LXF-BJ003200		2012.03.27 ~				
H3-3-9	03071SC-A001	Hex.Socket Bolt (M3*L15)	~ 2010.09.29		O	16	
	DSC-BF015300		2010.09.30 ~		O		
H3-3-10	11019SW-9115	Spring Washer (3@)	~ 2009.10.08		O	16	
	PWS-CA001800		2009.10.09 ~		O		
H3-3-11	08011SW-1111	Spring Washer (@3-S)	~ 2011.04.27		O	16	
	PWS-CA002800		2011.04.28 ~		O		
H3-3-12	03106000U000	Timing Pulley Driving Pin	~ 2012.03.26			2	
	LXF-KF000500		2012.03.27 ~				
H3-3-13	12017PU-T121	Timing Pulley "A"	~ 2012.03.26			2	
	DPL-BF000700		2012.03.27 ~				
H3-3-14	12018BR-T121	Needle Bearing Hk1010(Ina)	~ 2010.06.27		O	4	
	PBR-BA003700		2010.06.28 ~		O		
H3-3-15	12019BR-T121	Fiber Washer R-Tw1020	~ 2010.06.27			4	
	PWS-AA003100		2010.06.28 ~				
H3-3-16	15048SC-4119	Plus Screw (M5*L12)	~ 2012.03.26		O	2	
	PSC-BB004000		2012.03.27 ~		O		
H3-3-17	08044SR-4013	E-Ring (@8)	~ 2011.02.24		O	2	
	PSR-AC001600		2011.02.25 ~		O		
H3-3-18	14020PR-UK01	Space	~ 2012.03.26			2	
	LXF-BJ003000		2012.03.27 ~				
H3-3-19	15076AF-UK01	X-Motor	~ 2016.09.08			2	
	MO-000063-00		2016.09.09 ~				
H3-3-20	14063PU-UK01	Timing Pulley "B"	~ 2012.03.26			2	
	DPL-BF000600		2012.03.27 ~				

H3

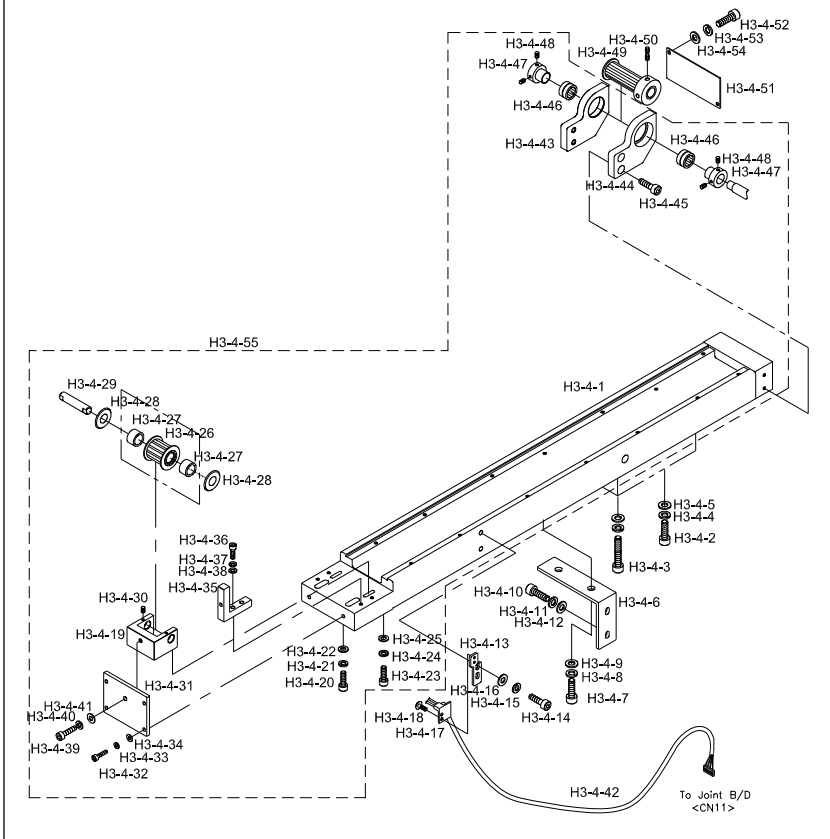
H3-3



Ref.No	PartNo.	PartName	Application date	Interchangeability	Hardware	Qty	Remarks
H3-3-21	04014SC-4517	Hex.Socket Set Screw(M5*L5)	~ 2009.06.07		O	4	
	PSC-CB000300		2009.06.08 ~		O		
H3-3-22	14065AD-UK01	Motor Fixing Shaft (A)	~ 2012.03.26			4	
	LXF-KD000200		2012.03.27 ~				
H3-3-23	15053SC-4119	Plus Screw (M5*L30)	~ 2012.03.26		O	4	
	PSC-BB003700		2012.03.27 ~		O		
H3-3-24	14067AD-UK01	Motor Fixing Shaft (B)	~ 2012.03.26			2	
	LXF-KD000100		2012.03.27 ~				
H3-3-25	15055SC-4119	Plus Screw (M5*L35)	~ 2012.03.26		O	2	
	PSC-BB003800		2012.03.27 ~		O		
H3-3-26	14069AD-UK01	Motor Block	~ 2012.03.26			2	
	LXF-BK000300		2012.03.27 ~				
H3-3-27	08076SC-7113	Hex. Socket Bolt (M5*L12)	~ 2011.04.27		O	20	
	PSC-AC018600		2011.04.28 ~		O		
H3-3-28	18048SW-3115	Spring Washer (@5)	~ 2009.07.28		O	20	
	PWS-CA000800		2009.07.29 ~		O		
H3-3-29	14071BR-UK01	Bearing Bc616Zz	~ 2012.03.26		O	2	
	PBR-AA014200		2012.03.27 ~		O		
H3-3-30	15061PR-UK01	Motor Space (@5*@11*2T)				8	
H3-3-31	08076SC-7113	Hex. Socket Bolt (M5*L12)	~ 2011.04.27		O	8	
	PSC-AC018600		2011.04.28 ~		O		
H3-3-32	16018SW-1111	Washer (@5)	~ 2011.04.27		O	8	
	PWS-AA004600		2011.04.28 ~		O		
H3-3-33	14074PR-UK01	Motor Base (L)	~ 2008.02.11			1	
	GP-036405-00		2008.02.12 ~ 2012.03.26				
H3-3-34	LXF-BA000300	Motor Base (R)	2012.03.27 ~			1	
	14075PR-UK01		~ 2008.02.11				
H3-3-35	GP-036404-00	Motor Base (R)	2008.02.12 ~ 2012.03.26			1	
	LXF-BA000400		2012.03.27 ~				
H3-3-35	15044EL-T121	Bid (S)				2	
H3-3-36	02101000UH60	Cable (25-10)				1	
H3-3-37	15045EL-UK01	Bid (L)				1	

Note

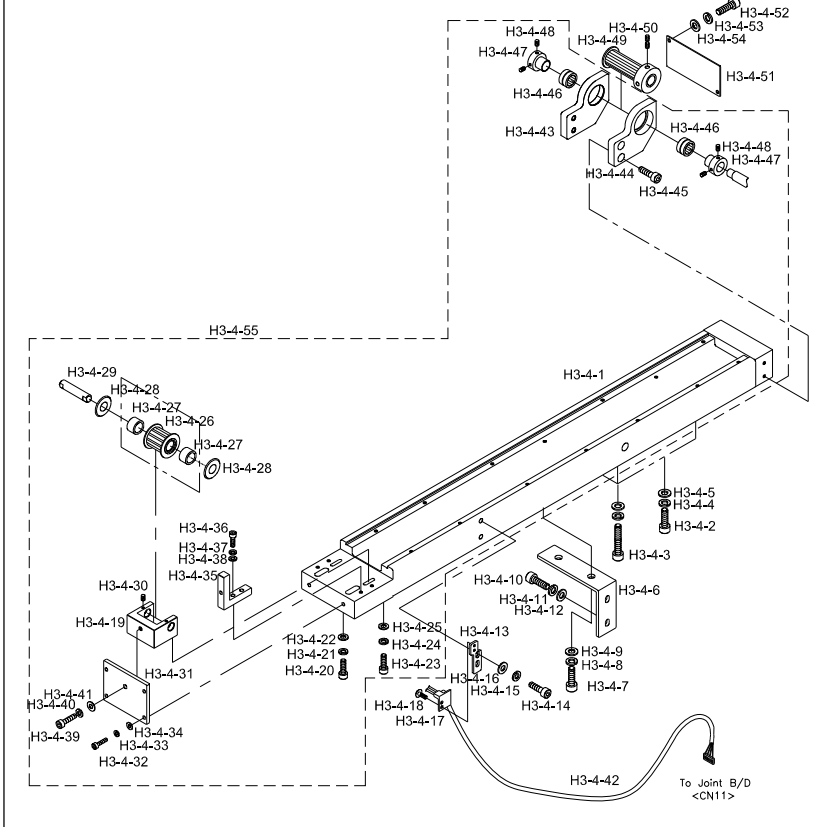
H3-4



Note

Ref.No	PartNo.	PartName	Application date	Interchangeability	Hardware	Qty	Remarks
H3-4-1	03100200UH01	Y-Lm Guide Frame (L650)	~ 2004.09.24			2	
	GP-004930-00		2004.09.25 ~ 2006.03.12				
	GP-004930-01		2006.03.13 ~ 2009.09.07				
	GP-004930-02		2009.09.08 ~ 2009.10.15				
	GP-004930-03		2009.10.16 ~ 2012.03.26				
	LYF-BC001800		2012.03.27 ~				
H3-4-2	14027SC-4113	Hex.Socket Bolt (M8*L30)				4	
H3-4-3	03003SC-4113	Hex. Socket Bolt "B"(M8*L35)	~ 2009.09.28		O	4	
	PSC-AC007700		2009.09.29 ~		O		
H3-4-4	15095SW-3115	Spring Washer (@8)	~ 2010.05.27		O	8	
	PWS-CA002000		2010.05.28 ~		O		
H3-4-5	04029SW-A001	Stud Bolt Washer(S) (@8)	~ 2009.10.28		O	8	
	DWS-AA009900		2009.10.29 ~		O		
H3-4-6	16074PR-UK06	Y-Lm Support Fixing Plate	~ 2012.03.26			2	
	LYF-BJ002000		2012.03.27 ~				
H3-4-7	14002SC-7113	Hex.Socket Bolt (M6*L15)	~ 2009.08.27		O	4	
	PSC-AC005800		2009.08.28 ~		O		
H3-4-8	16014SW-4115	Spring Washer (@6)	~ 2009.07.28		O	4	
	PWS-CA001000		2009.07.29 ~		O		
H3-4-9	08057SW-1111	Washer (@6)	~ 2009.07.28		O	4	
	PWS-AA001400		2009.07.29 ~		O		
H3-4-10	03016SC-4113	Hex. Socket Bolt (M5*L15)	~ 2010.12.30		O	4	
	PSC-AC017400		2010.12.31 ~		O		
H3-4-11	18048SW-3115	Spring Washer (@5)	~ 2009.07.28		O	4	
	PWS-CA000800		2009.07.29 ~		O		
H3-4-12	16018SW-1111	Washer (@5)	~ 2011.04.27		O	4	
	PWS-AA004600		2011.04.28 ~		O		
H3-4-13	03101300UH00	Sensor Bracket	~ 2012.03.26			1	
	LYF-BB003400		2012.03.27 ~				
H3-4-14	02015SC-7113	Hex.Socket Bolt(M4*L10)	~ 2009.09.28		O	2	
	PSC-AC007100		2009.09.29 ~		O		
H3-4-15	18014SW-3115	Spring Washer (@4-No2)	~ 2009.07.28		O	2	
	PWS-CA000900		2009.07.29 ~		O		
H3-4-16	18015SW-3111	Washer (4@)	~ 2009.06.07		O	2	
	PWS-AA001000		2009.06.08 ~		O		
H3-4-17	10-003A-SC53	Positioning Sensor				1	
H3-4-18	08006SC-8118	Plus Screw (M3*L5)	~ 2010.12.30		O	2	
	PSC-BD001100		2010.12.31 ~		O		
H3-4-19	03100500UH00	Y-Tension Adjusting Bracket	~ 2012.03.20			2	
	LYF-BB003000		2012.03.21 ~				

H3-4

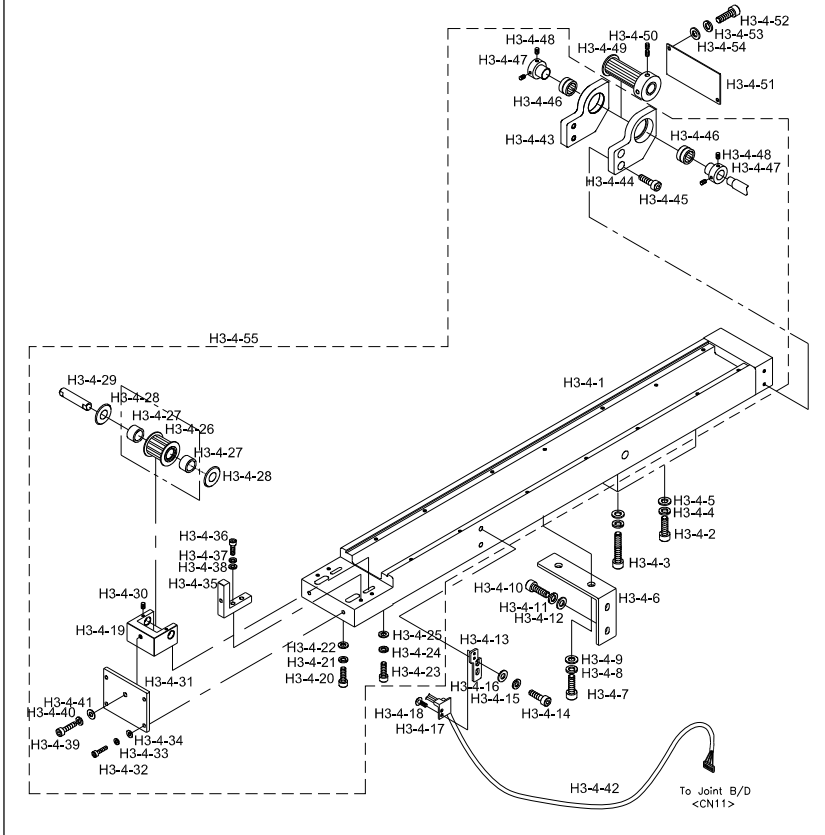


Note

Ref.No	PartNo.	PartName	Application date	Interchangeability	Hardware	Qty	Remarks
H3-4-20	08062SC-7113	Hex. Socket Bolt (M5*L20)	~ 2009.06.01		O	4	
	PSC-AC001300		2009.06.02 ~		O		
H3-4-21	18048SW-3115	Spring Washer (5@)	~ 2009.07.28		O	4	
	PWS-CA000800		2009.07.29 ~		O		
H3-4-22	18049SW-3111	Washer (@5)	~ 2009.07.28		O	4	
	PWS-AA001500		2009.07.29 ~		O		
H3-4-23	05008SC-4113	Hex.Socket Bolt (M4*L16)	~ 2010.12.30		O	2	
	PSC-AC017000		2010.12.31 ~		O		
H3-4-24	18014SW-3115	Spring Washer (@4-No2)	~ 2009.07.28		O	2	
	PWS-CA000900		2009.07.29 ~		O		
H3-4-25	18015SW-3111	Washer (4@)	~ 2009.06.07		O	2	
	PWS-AA001000		2009.06.08 ~		O		
H3-4-26	04500100U000	TIMING PULLEY(16-S5M-32F)	~ 2012.03.26			2	
	DPL-BC009500		2012.03.27 ~				
H3-4-27	15042BR-A001	Needle Bearing (1210Zz)	~ 2009.10.28		O	4	
	PBR-BA002000		2009.10.29 ~		O		
H3-4-28	15046RB-A001	Driving Pin Washer (Tw1225)	~ 2011.04.27			4	
	DWS-AA022800		2011.04.28 ~				
H3-4-29	16100CW-UK06	Timing Pulley Shaft (Y)	~ 2012.03.26			2	
	LYF-KC001500		2012.03.27 ~				
H3-4-30	08007SC-4517	Hex. Socket Set Screw (M3*L5)	~ 2010.03.30		O	4	
	PSC-CB000900		2010.03.31 ~		O		
H3-4-31	03100600UH00	Tension Adjusting Plate	~ 2012.03.26			2	
	LYF-BJ002100		2012.03.27 ~				
H3-4-32	07016SC-7113	Hex.Socket Bolt (M4*L12)	~ 2009.07.28		O	8	
	PSC-AC004900		2009.07.29 ~		O		
H3-4-33	02028SW-9115	Spring Washer (@4)	~ 2009.07.28		O	8	
	PWS-CA000700		2009.07.29 ~		O		
H3-4-34	05009SW-1111	Washer (@4-L)	~ 2011.02.24		O	8	
	PWS-AA004400		2011.02.25 ~		O		
H3-4-35	03100700UH00	Fixed Block	~ 2012.02.13			4	
	GP-054946-01		2012.02.14 ~				
H3-4-36	07016SC-7113	Hex.Socket Bolt (M4*L12)	~ 2009.07.28		O	4	
	PSC-AC004900		2009.07.29 ~		O		
H3-4-37	18014SW-3115	Spring Washer (@4-No2)	~ 2009.07.28		O	4	
	PWS-CA000900		2009.07.29 ~		O		
H3-4-38	18015SW-3111	Washer (4@)	~ 2009.06.07		O	4	
	PWS-AA001000		2009.06.08 ~		O		
H3-4-39	15030SC-7113	Hex. Socket Bolt (M5*L30)	~ 2011.12.26		O	2	
	PSC-AC023600		2011.12.27 ~		O		

H3

H3-4

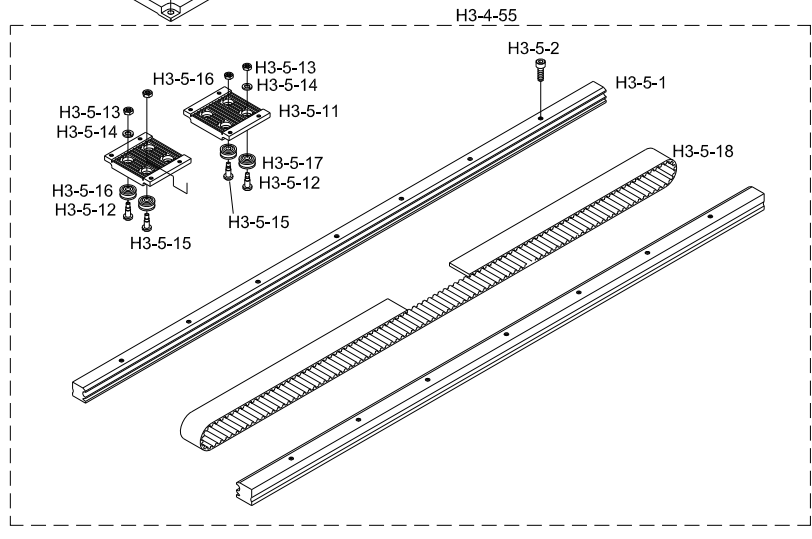
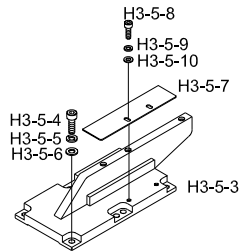


Note

Ref.No	PartNo.	PartName	Application date	Interchangeability	Hardware	Qty	Remarks
H3-4-40	18048SW-3115	Spring Washer (5@)	~ 2009.07.28		O	2	
	PWS-CA000800		2009.07.29 ~		O		
H3-4-41	18049SW-3111	Washer (@5)	~ 2009.07.28		O	2	
	PWS-AA001500		2009.07.29 ~		O		
H3-4-42	25054EL-UK01	Cable (25-54)	~ 2004.12.01			1	
	SH-35-01		2004.12.02 ~				
H3-4-43	03100900UH00	Y-Bearing Bracket (L)	~ 2017.07.03			2	
	LYF-BB003202		2017.07.04 ~				
H3-4-44	03101000UH00	Y-Bearing Bracket (R)	~ 2017.07.03			2	
	LYF-BB003302		2017.07.04 ~				
H3-4-45	08091SC-7113	Hex. Socket Bolt (M6*L20)	~ 2009.06.01		O	8	
	PSC-AC002000		2009.06.02 ~		O		
H3-4-46	13026BR-T121	Needle Bearing (6002Z)	~ 2009.09.28		O	8	
	PBR-AA003200		2009.09.29 ~		O		
H3-4-47	14058CW-A001	Bearing Collar	~ 2009.10.28			4	
	DBS-AA000600		2009.10.29 ~				
H3-4-48	04012AF-A001	Hook Shaft Bush Screw	~ 2010.12.30			8	
	DSC-CB003200		2010.12.31 ~				
H3-4-49	PL-000011-00	TIMING PULLEY(16-S5M-32F)		X		2	
H3-4-50	04014SC-4517	Hex.Socket Set Screw(M5*L5)	~ 2009.06.07		O	8	
	PSC-CB000300		2009.06.08 ~		O		
H3-4-51	GP-047317-00	Y-Bearing Bracket Cover				2	
H3-4-52	07035SC-7113	Bracket Screw (M3*L6)	~ 2009.09.28		O	4	
	PSC-AC007500		2009.09.29 ~		O		
H3-4-53	11019SW-9115	Spring Washer (3@)	~ 2009.10.08		O	4	
	PWS-CA001800		2009.10.09 ~		O		
H3-4-54	08011SW-1111	Spring Washer (@3-S)	~ 2011.04.27		O	4	
	PWS-CA002800		2011.04.28 ~		O		
H3-4-55	AS-016060-00	Y-Frame Assy		X		2	

H3

H3-5

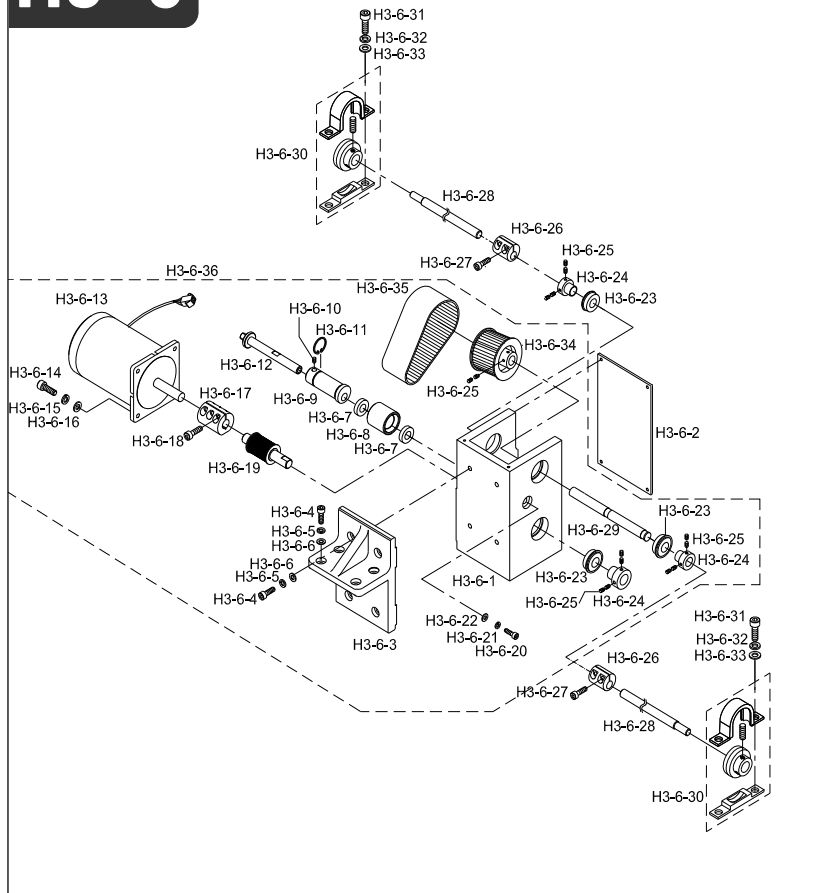


Ref.No	PartNo.	PartName	Application date	Interchangeability	Hardware	Qty	Remarks
H3-5-1	03100100UH01	Cam Roller Guide Rail (L590)	~ 2012.03.26			4	
	LYF-BP001900		2012.03.27 ~				
H3-5-2	04016MC-4113	CAM ROLLER GUIDE FIXED SCREW	~ 2009.06.07			28	
	PSC-AC000500		2009.06.08 ~				
H3-5-3	GP-005614-00	BRACKER FOR X-Y CONNECTING	~ 2010.06.09	X		2	
	GP-005614-01		2010.06.10 ~				
H3-5-4	07016SC-7113	Hex.Socket Bolt (M4*L12)	~ 2009.07.28		O	16	
	PSC-AC004900		2009.07.29 ~		O		
H3-5-5	18014SW-3115	Spring Washer (@4-No2)	~ 2009.07.28		O	16	
	PWS-CA000900		2009.07.29 ~		O		
H3-5-6	18015SW-3111	Washer (4@)	~ 2009.06.07		O	16	
	PWS-AA001000		2009.06.08 ~		O		
H3-5-7	03101400UH00	Plate For Y-Sensing				1	
H3-5-8	22006SC-7113	Hex. Socket Bolt (M3*L8)	~ 2009.07.28		O	2	
	PSC-AC002800		2009.07.29 ~		O		
H3-5-9	11019SW-9115	Spring Washer (3@)	~ 2009.10.08		O	2	
	PWS-CA001800		2009.10.09 ~		O		
H3-5-10	08011SW-1111	Spring Washer (@3-S)	~ 2011.04.27		O	2	
	PWS-CA002800		2011.04.28 ~		O		
H3-5-11	16104CL-H001	Belt Catcher Plate (Y)	~ 2009.01.13			4	
	GP-044106-00		2009.01.14 ~ 2009.05.07				
	GP-044106-01		2009.05.08 ~ 2009.05.15				
	GP-044106-02		2009.05.15 ~ 2012.03.26				
	LYF-BK002100		2012.03.27 ~				
H3-5-12	15002CW-B001	Cam Roller Stud (A)	~ 2009.10.28			8	
	DSC-GA000700		2009.10.29 ~				
H3-5-13	15029SN-3211	Hex. Nut (M4-No2)	~ 2009.10.28		O	8	
	PSN-AA002500		2009.10.29 ~		O		
H3-5-14	02028SW-9115	Spring Washer (@4)	~ 2009.07.28		O	8	
	PWS-CA000700		2009.07.29 ~		O		
H3-5-15	15003CW-B001	Cam Roller Stud (B)	~ 2009.10.28			8	
	DSC-BF010700		2009.10.29 ~				
H3-5-16	12010SN-1211	Hex.Nut (M5)	~ 2009.10.28		O	8	
	PSN-AA002600		2009.10.29 ~		O		
H3-5-17	15001BR-B001	Cam Roller Bearing	~ 2009.10.28			16	
	PBR-FK000100		2009.10.29 ~				
H3-5-18	03100400UH01	Y-Driving Timing Belt (L1250)	~ 2012.03.26			2	
	PBT-BC004800		2012.03.27 ~				

Note

H3

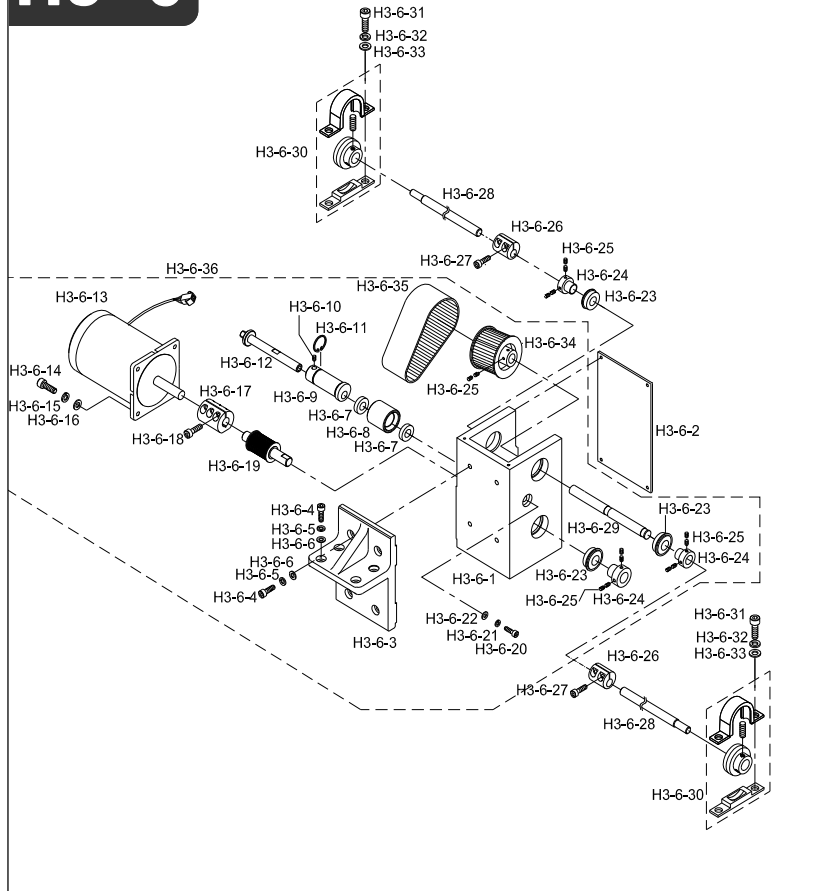
H3-6



Note

Ref.No	PartNo.	PartName	Application date	Interchangeability	Hardware	Qty	Remarks
H3-6-1	GP-007511-00	Y-Driving Box		X		1	
H3-6-2	GP-005374-00	Y-Driving Box CoverA	2012.03.26 ~	X		2	
	LYF-LB000300		2012.03.27 ~				
H3-6-3	GP-007513-00	Y-Driving Box Bracket	~ 2011.10.03	X		2	
	GP-007513-02		2011.10.04 ~ 2012.03.26				
H3-6-4	03003SC-4113	Hex. Socket Bolt "B"(M8*L35)	~ 2009.09.28			20	
	PSC-AC007700		2009.09.29 ~				
H3-6-5	15095SW-3115	Spring Washer (@8)	~ 2010.05.27			36	
	PWS-CA002000		2010.05.28 ~				
H3-6-6	04029SW-A001	Stud Bolt Washer(S) (@8)	~ 2009.10.28			36	
	DWS-AA009900		2009.10.29 ~				
H3-6-7	03200400I000	Roller Bearing	~ 2011.04.27			2	
	PBR-AA011300		2011.04.28 ~				
H3-6-8	GP-005379-00	Tension Adjusting Roller	~ 2012.03.26	X		1	
	LYF-CL000400		2012.03.27 ~				
H3-6-9	GP-005378-00	Idler Bush	~ 2012.03.26	X		1	
	DBS-DB017900		2012.03.27 ~				
H3-6-10	14060AF-4517	Hex. Socket Bolt (M6*L6)	~ 2010.12.30			1	
	PSC-CB004800		2010.12.31 ~				
H3-6-11	03200700I000	C-Ring	~ 2011.04.27			1	
	PSR-AA001900		2011.04.28 ~				
H3-6-12	GP-007512-00 GP-007512-01 LYF-KF003100 LYF-KF003101	Idler Shaft	~ 2009.05.06	X		1	
			2009.05.07 ~ 2012.03.26	△			
			2012.03.27 ~ 2013.01.03				
			2013.01.04 ~				
H3-6-13	16059MT-E131	Y Motor (103H89222-5212)	~ 2005.03.09			1	
	15027MT-UI12		2005.03.10 ~				
H3-6-14	14046SC-7113	Hex.Socket Bolt (M6*L30)	~ 2011.12.26			4	
	PSC-AC023500		2011.12.27 ~				
H3-5-15	16014SW-4115	Spring Washer (@6)	~ 2009.07.28			4	
	PWS-CA001000		2009.07.29 ~				
H3-6-16	08057SW-1111	Washer (@6)	~ 2009.07.28			4	
	PWS-AA001400		2009.07.29 ~				
H3-6-17	GP-005380-00	Coupling	~ 2012.03.26	X		1	
	DCR-AH001500		2012.03.27 ~ 2013.09.09				
H3-6-18	DCR-AH001501		2013.09.10 ~				
	14061AF-4517		~ 2009.10.28				
H3-6-18	PSC-CB001400	Hex. Socket Bolt (M8*L8)	2009.10.29 ~			2	

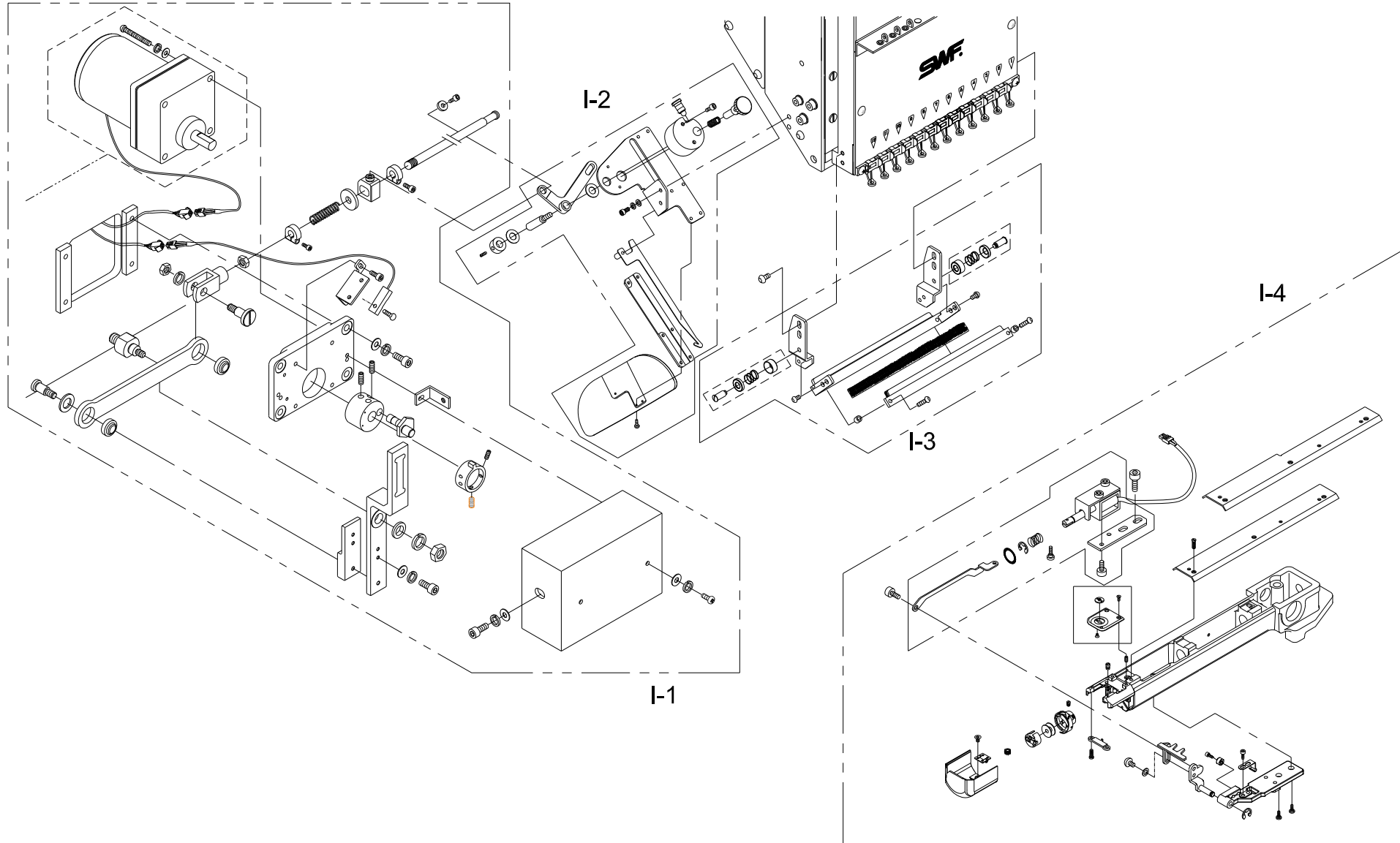
H3-6



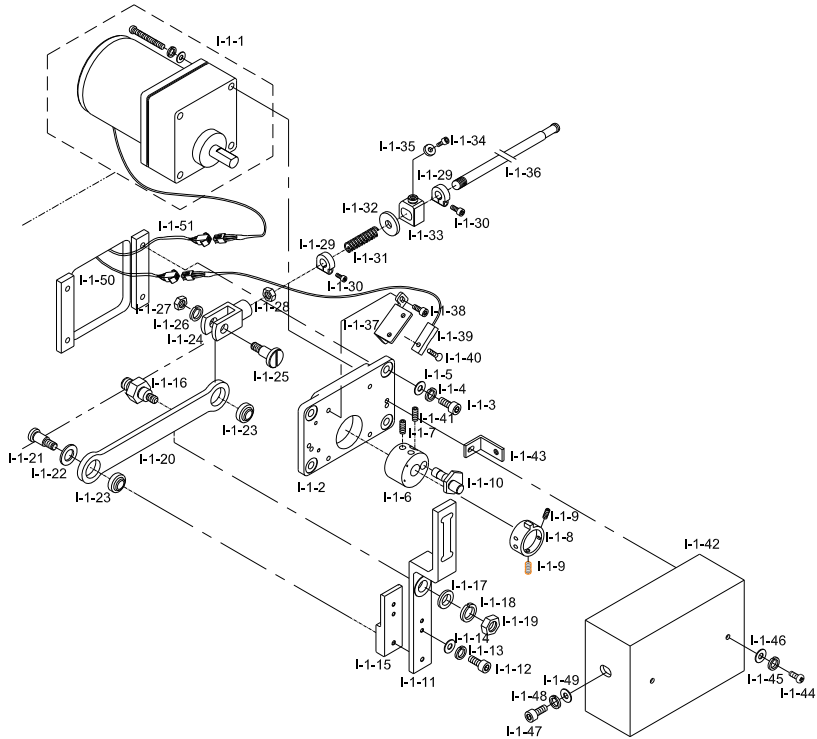
Note

Ref.No	PartNo.	PartName	Application date	Interchangeability	Hardware	Qty	Remarks
H3-6-19	GP-044367-00	Y-Driving Timing Pulley	~ 2010.06.30	X		1	
	GP-044367-01		2010.07.01 ~ 2011.11.07	△			
	GP-044367-02		2011.11.08 ~ 2012.03.26				
	DPL-BC009600		2012.03.27 ~				
H3-6-20	14002SC-7113	Hex. Socket Bolt (M6*L15)	~ 2009.08.27			1	
	PSC-AC005800		2009.08.28 ~				
H3-6-21	16014SW-4115	Spring Washer (@6)	~ 2009.07.28			5	
	PWS-CA001000		2009.07.29 ~				
H3-6-22	08057SW-1111	Washer	~ 2009.07.28			5	
	PWS-AA001400		2009.07.29 ~				
H3-6-23	01029BR-A001	Bearing(6004zz)	~ 2011.04.27			3	
	PBR-AA011400		2011.04.28 ~				
H3-6-24	14058CW-A001	Bearing Stopper Collar	~ 2009.10.28			3	
	DBS-AA000600		2009.10.29 ~				
	DBS-AA000602		2012.02.14 ~				
H3-6-25	04012AF-A001	Screw (15/64-28)	~ 2010.12.30			8	
	DSC-CB003200		2010.12.31 ~				
H3-6-26	03005100U000	Coupling "A"				4	
H3-6-27	03016SC-4113	Hex. Socket Bolt (M5*L15)	~ 2010.12.30			8	
	PSC-AC017400		2010.12.31 ~				
H3-6-28	ST-000010-00	Y-Driving Shaft "A" L=1049	~ 2009.07.14	X		2	
	ST-000010-01		2009.07.15 ~	△			
H3-6-29	GP-007516-00	Y-Driving Shaft "B"		X		2	
	GP-004159-00	Y-Driving Shaft	~ 2005.04.26	X			
	GP-004159-01		2005.04.27 ~	△			
H3-6-30	16078BR-UK01	Pillow Block Set				1	
H3-6-31	14002SC-7113	HEX.SOCKET BOLT (M6*L15)	~ 2009.08.27			2	
	PSC-AC005800		2009.08.28 ~				
H3-6-32	16014SW-4115	Spring Washer (@6)	~ 2009.07.28			2	
	PWS-CA001000		2009.07.29 ~				
H3-6-33	08057SW-1111	Washer (@6)	~ 2009.07.28			2	
	PWS-AA001400		2009.07.29 ~				
H3-6-34	03200200B000	Lower Shaft Timing Pulley				1	
H3-6-35	BE-000023-00	Y-Driving Timing Belt		X		1	
H3-6-36	AS-015304-00	Y-Driving Timing Pulley Box Assy	~ 2009.02.01	X		1	
	AS-015304-01		2009.02.02 ~ 2009.08.30	△			
	AS-015304-02		2009.08.31 ~ 2010.04.11	△			
	AS-015304-03		2010.04.12 ~				

SETTING



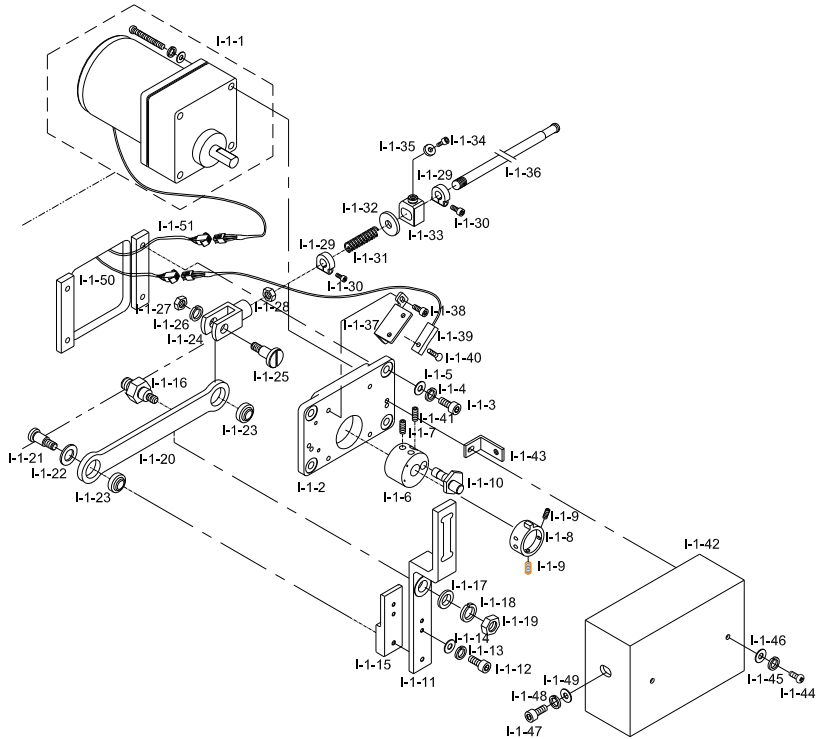
I-1



Note

Ref.No	PartNo.	PartName	Application date	Interchangeability	Hardware	Qty	Remarks
I-1-1	EP-000141-00	Upper Thread Hook Motor Unit	~ 2012.03.26	X		1	
	BWP-PS001700		2012.03.27 ~				
I-1-2	GP-015086-00	MOTOR BASE	~ 2010.07.07	X		1	
	LWP-BA001200		2010.07.08 ~ 2011.02.24	△			
I-1-3	06025MC-7113	Hex.Socket Bolt(M6*L25)	~ 2009.09.28		O	4	
	PSC-AC007200		2009.09.29 ~		O		
I-1-4	16014SW-4115	Spring Washer (@6)	~ 2009.07.28		O	4	
	PWS-CA001000		2009.07.29 ~		O		
I-1-5	08057SW-1111	Washer (@6)	~ 2009.07.28		O	4	
	PWS-AA001400		2009.07.29 ~		O		
I-1-6	03003300H000	Cam Shaft Fixing Block	~ 2011.02.24			1	
	LWP-BK000100		2011.02.25 ~				
I-1-7	05008MC-4517	Hex.Socket Bolt(M5*L8)	~ 2010.03.30		O	2	
	PSC-CB001900		2010.03.31 ~		O		
I-1-8	GP-005184-00	SENSOR SENSING ADJUSTING RING	~ 2006.02.02	X		1	
	GP-005184-01		2006.02.03 ~ 2011.02.24	△			
	LWP-BN000100		2011.02.25 ~				
I-1-9	04014SC-4517	Hex.Socket Set Screw(M5*L5)	~ 2009.06.07		O	2	
	PSC-CB000300		2009.06.08 ~		O		
I-1-10	03003500H000	Motor Driving Cam Shaft	~ 2011.02.24			1	
	LWP-KH000100		2011.02.25 ~				
I-1-11	03003910H000	Upper Thread Driving Plate	~ 2011.02.24			1	
	LWP-BJ000100		2011.02.25 ~				
I-1-12	18047SC-7113	Hex/ Socket Bolt (M5*L15)	~ 2009.07.28		O	2	
	PSC-AC003900		2009.07.29 ~		O		
I-1-13	18048SW-3115	Spring Washer (5@)	~ 2009.07.28		O	2	
	PWS-CA000800		2009.07.29 ~		O		
I-1-14	18049SW-3111	Washer (@5)	~ 2009.07.28		O	2	
	PWS-AA001500		2009.07.29 ~		O		
	03004100H000		~ 2009.11.15				
I-1-15	GP-047806-00	Driving Plate Block	2009.11.16 ~ 2011.06.28			1	
	LWP-BK001000		2011.06.29 ~				
I-1-16	SC-001729-00	Stud Bolt For Driving Plate	~ 2010.04.19	X		1	
	SC-001729-01		2010.04.20 ~ 2010.07.07	△			
	SC-001729-02		2010.07.08 ~ 2011.02.24	△			
	DSC-FG002800		2011.02.25 ~				
I-1-17	WS-000549-00	Stud Bolt Washer	~ 2009.06.22	X		1	
	WS-000549-01		2009.06.23 ~ 2011.02.24	△			
	DWS-AA021400		2011.02.25 ~				

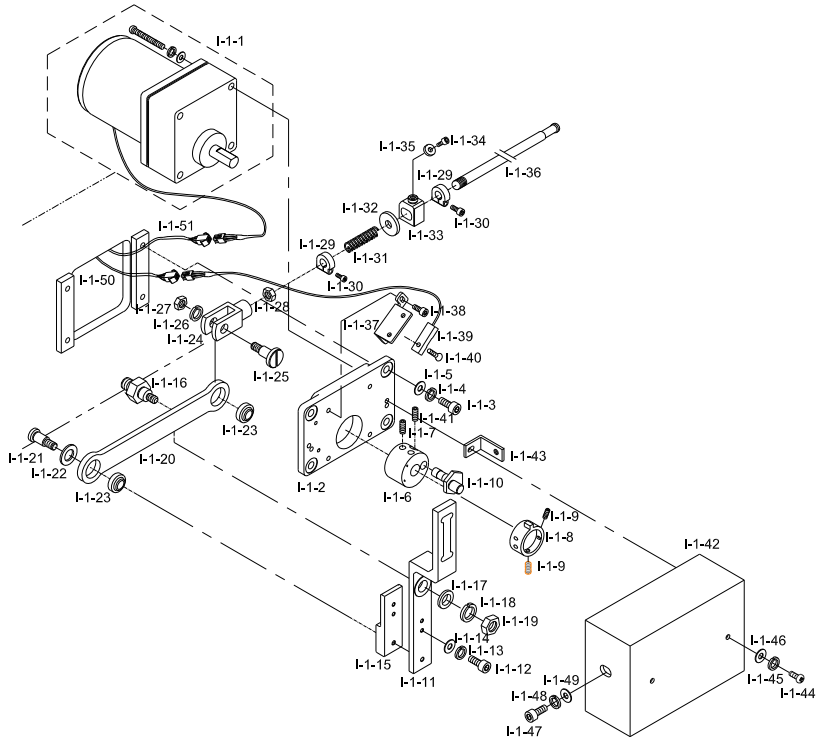
I-1



Note

Ref.No	PartNo.	PartName	Application date	Interchangeability	Hardware	Qty	Remarks
I-1-18	15095SW-3115	Spring Washer (@8)	~ 2010.05.27		O	1	
	PWS-CA002000		2010.05.28 ~		O		
I-1-19	04032SN-A001	Hex. Nut (M8-No2)	~ 2011.02.24		O	1	
	DSN-AA005500		2011.02.25 ~		O		
I-1-20	GP-044787-00	MOTOR DRIVING CONNECT PLATE	~ 2011.02.24	X		1	
	LWP-BJ000201		2011.02.25 ~				
I-1-21	03008300H000	Connecting Plate Stud Screw A	~ 2011.02.24			1	
	DSC-FA022300		2011.02.25 ~				
I-1-22	03004500H000	Connecting Plate Pin Washer	~ 2011.02.24			1	
	DWS-AA020500		2011.02.25 ~				
I-1-23	03004400H000	Motor Driving Connect Bearing	~ 2011.02.24			2	
	PBR-AA010300		2011.02.25 ~				
I-1-24	03004800H000	Connecting Plate Knuckle	~ 2011.02.24			1	
	LWP-BM000100		2011.02.25 ~				
I-1-25	SC-001605-00	Connecting Plate Stud Screw	~ 2011.02.24	X		1	
	DSC-FA022401		2011.02.25 ~				
I-1-26	16014SW-4115	SPRING WASHER (@6)	~ 2009.07.28		O	1	
	PWS-CA001000		2009.07.29 ~		O		
I-1-27	13042SN-1111	Hex.Nut (M6*T5-R)	~ 2009.07.28		O	1	
	PSN-AA001300		2009.07.29 ~		O		
I-1-28	04032SN-A001	Hex. Nut (M8-No2)	~ 2011.02.24		O	1	
	DSN-AA005500		2011.02.25 ~		O		
I-1-29	03002610H000	Return Spring Stopper	~ 2008.12.15			8	
	GP-044073-00		2008.12.16 ~ 2011.02.24				
I-1-30	LWP-BK000300	Return Spring Stopper Washer	2011.02.25 ~			4	
	05008SC-4113		~ 2010.12.30		O		
I-1-31	PSC-AC017000	Hex.Socket Bolt (M4*L16)	2010.12.31 ~		O	8	
	03002700H000		~ 2011.02.24				
I-1-32	DSP-AA014500	Return Spring	2011.02.25 ~			4	
	03002800H000		~ 2011.02.24				
I-1-33	DWS-AA020600	Return Spring Stopper Washer	2011.02.25 ~			4	
	03003000H000		~ 2011.02.24				
I-1-34	LWP-BK000400	Return Spring Fix Pin	2011.02.25 ~			4	
	02015SC-7113		~ 2009.09.28		O		
I-1-35	PSC-AC007100	Hex.Socket Bolt(M4*L10)	2009.09.29 ~		O	4	
	03002900H000		~ 2011.02.24				
I-1-36	DWS-AA020700	Return Spring Fix Pin Washer	2011.02.25 ~			4	
	03007000UK20		Upper Thread Driving Shaft (UK1202)				1
I-1-36	03007000UK40	Upper Thread Driving Shaft (UK1204)				1	
	03007000UK60	Upper Thread Driving Shaft (UK1206)	~ 2012.03.26			1	
	LWP-KC001800	Upper Thread Driving Shaft (UH1506C)	2012.03.27 ~				
	03007000UH60	Upper Thread Driving Shaft (UH1506C)					
		06000305UH80	Upper Thread Driving Shaft (UH1508)				

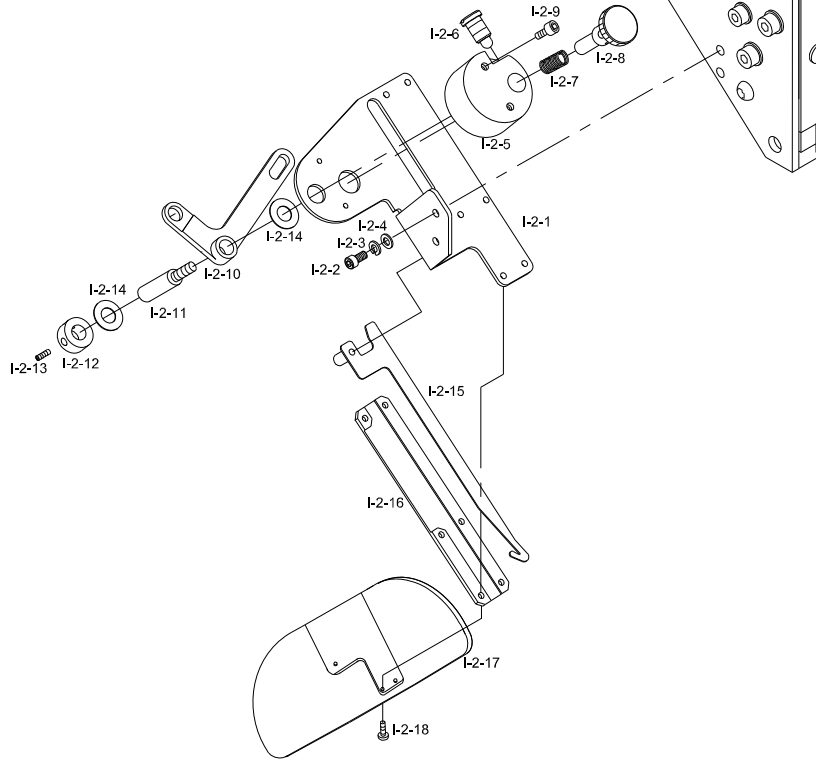
I-1



Note

Ref.No	PartNo.	PartName	Application date	Interchangeability	Hardware	Qty	Remarks
I-1-37	GP-015085-00	UPPER THREAD HOOK SENSOR	~ 2011.02.24	X		1	
	LWP-BA000200	BASE	2011.02.25 ~				
I-1-38	07035SC-7113	BRACKET SCREW (M3*L6)	~ 2009.09.28		O	2	
	PSC-AC007500		2009.09.29 ~				
I-1-39	15-027A-2070	SENSOR	~ 2011.12.26			1	
	CFA-BB004200		2011.12.27 ~				
I-1-40	13061SC-8119	Plus Screw (M3*L10)	~ 2010.12.30		O	1	
	PSC-BB002200		2010.12.31 ~				
I-1-41	04014SC-4517	Hex.Socket Set Screw (M5*L5)	~ 2009.06.07		O	1	
	PSC-CB000300		2009.06.08 ~				
I-1-42	12001900U000	Upper Thread Hook Motor Cover	~ 2008.01.10			1	
	GP-035603-00		2008.01.11 ~ 2009.06.28				
	GP-035603-01		2009.06.29 ~ 2011.06.01				
	GP-035603-02		2011.06.02 ~				
I-1-43	03008600H000	Motor Cover Fixing Bracket	~ 2011.02.24			2	
	LWP-BB000100		2011.02.25 ~				
I-1-44	02023SC-7113	Hex. Socket Bolt (M4*L8)	~ 2009.07.28		O	2	
	PSC-AC004100		2009.07.29 ~				
I-1-45	18014SW-3115	SPRING WASHER (@4-NO2)	~ 2009.07.28		O	1	
	PWS-CA000900		2009.07.29 ~				
I-1-46	18015SW-3111	WASHER (4@)	~ 2009.06.07		O	1	
	PWS-AA001000		2009.06.08 ~				
I-1-47	02023SC-7113	Hex.Socket Bolt (M4*L8)	~ 2009.07.28		O	2	
	PSC-AC004100		2009.07.29 ~				
I-1-48	18014SW-3115	Spring Washer (@4-No2)	~ 2009.07.28		O	2	
	PWS-CA000900		2009.07.29 ~				
I-1-49	18015SW-3111	Washer (4@)	~ 2009.06.07		O	2	
	PWS-AA001000		2009.06.08 ~				
I-1-50	02106600U020	Sh-66-1 (UK1202)				1	
	02106600U040	Sh-66-2 (UK1204)				1	
	02106600U060	Sh-66-4 (UK1206)				1	
	02106600UH60	Sh-66-3 (UH1506C)				1	
I-1-51	02106600UH80	SH-66-5 (UH1508)				1	
	02106700U020	Sh-67-1 (UK1202)				1	
	02106700U040	Sh-67-2 (UK1204)				1	
	02106700U060	Sh-67-4 (UK1206)				1	
	02106700UH60	Sh-67-3 (UH1506C)				1	
	02106800UH80	SH-68-5 (UH1508)				1	

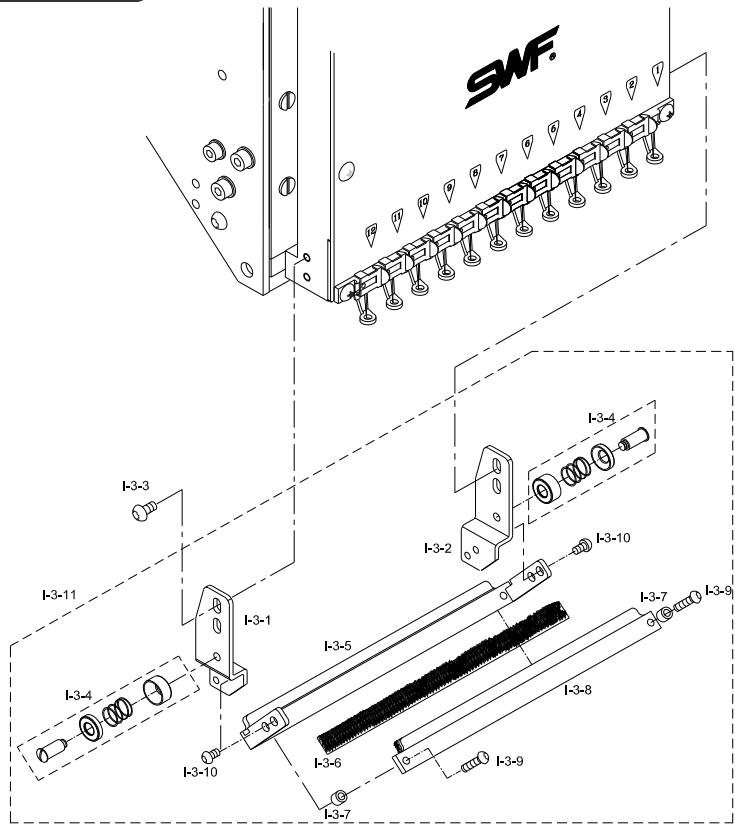
I-2



Ref.No	PartNo.	PartName	Application date	Interchangeability	Hardware	Qty	Remarks
I-2-1	03500110H000	Upper Thread Catcher Base	~ 2004.05.17			4	
	03500100I000		2004.05.18 ~ 2011.02.24				
	LWP-BA000300		2011.02.25 ~				
I-2-2	02023SC-7113	Hex.Socket Bolt (M4*L8)	~ 2009.07.28		O	8	
	PSC-AC004100		2009.07.29 ~		O		
I-2-3	18014SW-3115	Spring Washer (@4-No2)	~ 2009.07.28		O	8	
	PWS-CA000900		2009.07.29 ~		O		
I-2-4	18015SW-3111	Washer (4@)	~ 2009.06.07		O	8	
	PWS-AA001000		2009.06.08 ~		O		
I-2-5	03500900H000	Clutch Block	~ 2011.02.24			4	
	LWP-BK000600		2011.02.25 ~				
I-2-6	03501000H000	Clutch Stud Screw	~ 2011.02.24			4	
	DSC-FA022500		2011.02.25 ~				
I-2-7	03501100H000	Clutch Spring	~ 2011.02.24			4	
	DSP-AA014600		2011.02.25 ~				
I-2-8	03501200H000	Clutch Dial	~ 2011.02.24			4	
	LWP-CQ000100		2011.02.25 ~				
I-2-9	11029SC-4113	Hex. Socket Bolt (M4*L20)	~ 2009.07.28		O	8	
	PSC-AC005000		2009.07.29 ~		O		
I-2-10	03500500H000	Upper Catcher Driving Lever	~ 2011.02.24			4	
	LWP-CM000100		2011.02.25 ~				
I-2-11	03500600H000	Driving Lever Pin	~ 2011.02.24			4	
	PSC-HB000100		2011.02.25 ~				
I-2-12	03500700H000	Driving Lever Pin Collar	~ 2011.02.24			4	
	DCL-AA010900		2011.02.25 ~				
I-2-13	04014SC-4517	Hex.Socket Set Screw(M5*L5)	~ 2009.06.07		O	8	
	PSC-CB000300		2009.06.08 ~				
I-2-14	03500800H000	Driving Lever Pin Washer	~ 2010.12.30			8	
	DWS-AA020800		2010.12.31 ~				
I-2-15	03500330H000	Upper Thread Hook	~ 2011.07.19			4	
	LWP-BF000101		2011.07.20 ~				
I-2-16	03500210H000	Upper Thread Hook Base Cover	~ 2011.02.24			4	
	LWP-LA000200		2011.02.25 ~				
I-2-17	12209100U000	Cap Guide	~ 2011.02.24			4	
	LWP-BJ000900		2011.02.25 ~				
I-2-18	03005MC-3123	TRUSS SCREW (M3*L5)	~ 2010.09.29		O	24	
	DSC-BH000600		2010.09.30 ~		O		
I-2-19	08500000I000	Wiper Assy	~ 2010.10.12			4	
	AS-017781-00		2010.10.13 ~				

Note

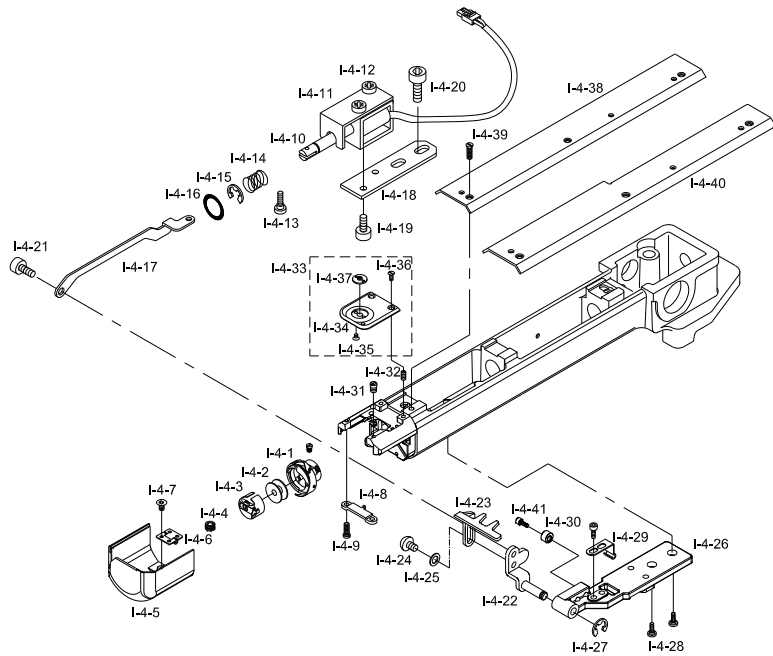
I-3



Note

Ref.No	PartNo.	PartName	Application date	Interchangeability	Hardware	Qty	Remarks
I-3-1	09040PR-A001	Bracket (L)	~ 2011.02.24			4	
	LWP-BB000200		2011.02.25 ~				
I-3-2	09041PR-A001	Bracket (R)	~ 2011.02.24			4	
	LWP-BB000300		2011.02.25 ~				
I-3-3	02009SC-A001	Side Cover Screw	~ 2010.12.30			16	
	DSC-BH000700		2010.12.31 ~				
I-3-4	09044PR-A001	Upper Thread Holder Disk Set	~ 2011.02.24			8	
	BWP-PS000500		2011.02.25 ~				
I-3-5	09034PR-AE00	Upper Thread Presser Base (6C)	~ 2011.02.27			4	
	LWP-BA000800		2011.02.28 ~				
	09030PR-A002	Upper Thread Presser Base	~ 2011.02.24				
	LWP-BA000400		2011.02.25 ~				
	09026PR-AB00	Upper Thread Presser Base (12C)	~ 2011.03.28				
	LWP-BA001500		2011.03.29 ~				
09052PR-T151	Upper Thread Presser Base (15C)	~ 2011.02.24					
LWP-BA001000		2011.02.25 ~					
I-3-6	09035ET-AE00	Velcro (6C)	~ 2011.02.27			8	
	DTC-CF000200		2011.02.28 ~ 2015.08.30				
	DTC-CF000201		2015.09.01 ~				
	09031ET-A002	Velcro (9C)	2011.02.24 ~				
	DTC-CF000100		2011.02.25 ~ 2015.08.30				
	DTC-CF000101		2015.09.01 ~				
	09027ET-AB00	Velcro (12C)	2011.02.24 ~				
	DTC-CF000300		2011.02.25 ~ 2015.08.30				
	DTC-CF000301		2015.09.01 ~				
	09027ET-T151	Velcro (15C)	2011.02.24 ~				
PTC-CF000100	2011.02.25 ~ 2015.08.30						
PTC-CF000101	2015.09.01 ~						
I-3-7	09038CW-A001	Thread Presser Space	~ 2011.02.24			8	
	LWP-BN000200		2011.02.25 ~				
I-3-8	09037PR-AE00	Presser Base Cover (6C)	~ 2011.02.24			4	
	LWP-LA000800		2011.02.25 ~				
	09033PR-A002	Presser Base Cover (9C)	~ 2011.02.24				
	LWP-LA000600		2011.02.25 ~				
	09029PR-AB00	Presser Base Cover	~ 2011.02.24				
	LWP-LA001100		2011.02.25 ~				
09029PR-T151	Presser Base Cover (15C)	~ 2011.02.24					
LWP-LA001000		2011.02.25 ~					
I-3-9	07018SC-8118	Plus Screw (M3*L8)	~2010.12.30		O	8	
	PSC-BD001300		2010.12.31 ~		O		
I-3-10	06010SC-8118	Plus Screw (M3*L4)	~ 2010.12.30		O	16	
	PSC-BD001200		2010.12.31 ~		O		
I-3-11	08600004B000	Upper Thread Presser Base Assy (12C)	~ 2017.11.21			4	
	AS-000500-01		2017.11.22 ~				

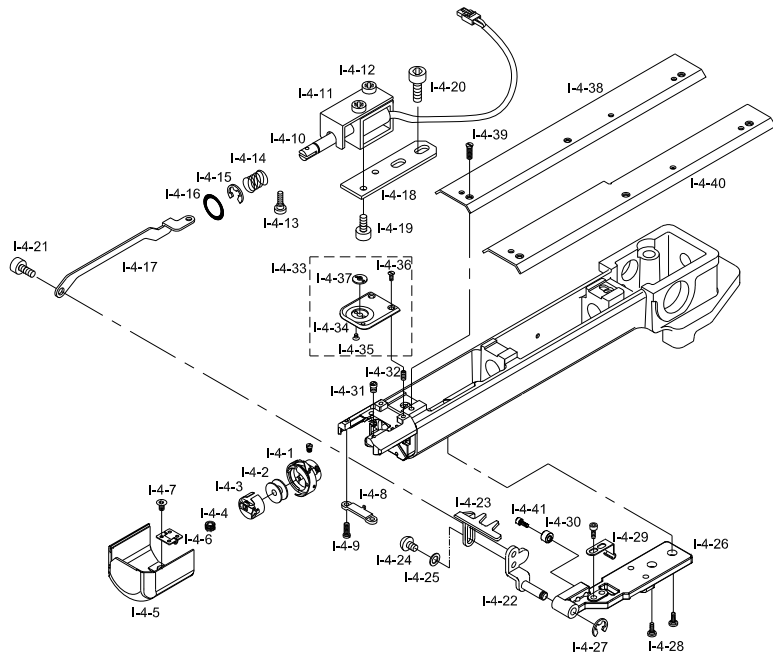
I-4



Note

Ref.No	PartNo.	PartName	Application date	Interchangeability	Hardware	Qty	Remarks
I-4-1	HK-000002-00	Rotary Hook Set	~ 2011.04.06	X		4	
	GP-039872-00		2011.04.07 ~ 2012.03.26				
	LHB-HA000300		2012.03.27 ~				
	HK-000009-00	Hook Set (Large Hook)				4	
I-4-2	04035AF-A001	Bobbin	~ 2011.04.27			4	
	LHB-HB000100		2011.04.28 ~				
	BB-000001-00	Bobbin	~ 2009.04.06			4	
	BB-000001-01		2009.04.07 ~ 2009.04.26				
	BB-000001-02		2009.04.27 ~				
I-4-3	04034AF-A001	Bobbin Case Set	~ 2011.04.05			4	
	LHB-HC000100		2011.04.06 ~				
I-4-4	GP-005361-00	Hook Cover Insert		X		8	
I-4-5	GP-005360-00	Hook Cover	~ 2006.01.26	X		4	
	GP-005360-01		2006.01.27 ~ 2006.06.27	△			
	GP-005360-02		2006.06.28 ~ 2012.04.01	△			
	LHB-LA000100		2012.03.27 ~				
	GP-052507-00						
I-4-6	HG-000001-00	Hook Cover Hinge	~ 2012.03.26	X		4	
	PTC-AD000600		2012.03.27 ~				
I-4-7	08014AF-A001	Plus Screw (M3*L8)			O	8	
I-4-8	GP-005358-00	Rotary Hook Support	~ 2006.03.01	X		4	
	GP-005358-01		2006.03.02 ~ 2012.03.26	△			
	LHB-HH000100		2012.03.27 ~				
I-4-9	02011SC-3125	Rotary Hook Support Screw	~ 2012.03.26			8	
	PSC-BA001800		2012.03.27 ~				
I-4-10	10009EL-T121	Picker Sol.	~ 2006.08.21			4	
	AS-004012-01		2006.08.22 ~				
I-4-11	01-012A-AT10	Picker Sol. Cover				4	
I-4-12	28021SC-3123	Truss Screw (M3*L4)	~ 2012.03.26		O	8	
	PSC-BH003100		2012.03.27 ~				
I-4-13	10021SC-A001	Sol. Stud Screw	~ 2011.04.27			4	
	DSC-BF020000		2011.04.28 ~				
I-4-14	10011SP-A001	Sol. Spring	~ 2011.04.27			4	
	DSP-AA017700		2011.04.28 ~				
I-4-15	13044SR-4013	E-Ring (@4)	~ 2011.02.24		O	4	
	PSR-AC001500		2011.02.25 ~				
I-4-16	10012RB-A001	Cushion Washer	~ 2011.04.27			4	
	DWS-AA023100		2011.04.28 ~				
I-4-17	GP-005370-00	Connecting Plate	~ 2012.03.26	X		4	
	LPC-BJ000400		2012.03.27 ~				
	GP-052406-00	Connecting Plate				4	

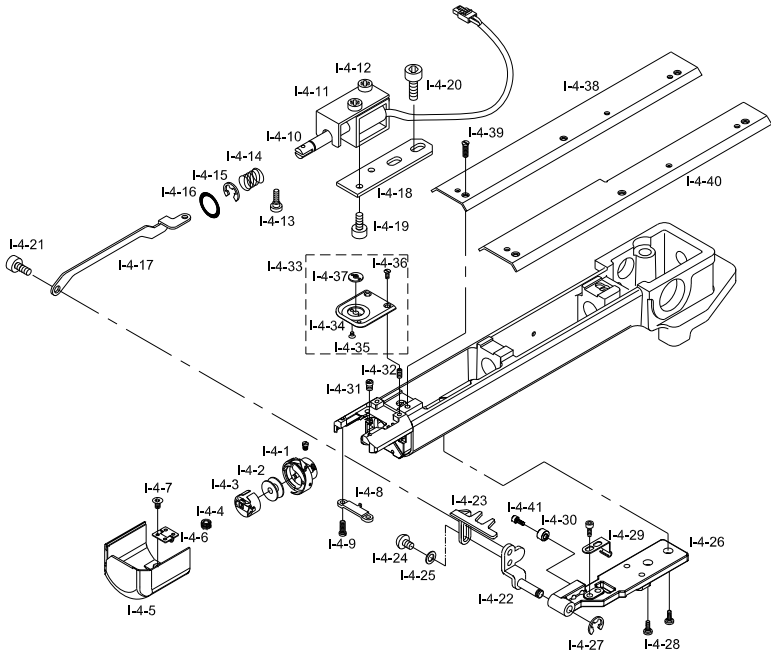
I-4



Ref.No	PartNo.	PartName	Application date	Interchangeability	Hardware	Qty	Remarks
I-4-18	01-013A-AT10	Picker Sol. Base	~ 2012.03.11			4	
	LPC-BJ000300		2012.03.12 ~				
I-4-19	06010AF-8118	Plus Screw(M3*L4)	~ 2011.09.26		O	8	
	PSC-BH002900		2011.09.27 ~				
I-4-20	02015SC-7113	Hex.Socket Bolt(M4*L10)	~ 2009.09.28		O	8	
	PSC-AC007100		2009.09.29 ~				
I-4-21	08012CW-T121	Connecting Plate Stud Screw				4	
I-4-22	AS-001429-00	Picker Base Ass'Y	~ 2006.05.29	X		4	
	AS-001429-01		2006.05.30 ~ 2008.12.03	△			
	AS-001429-02		2008.12.04 ~ 2010.01.19	△			
	AS-001429-03		2010.01.20 ~				
	AS-018368-00	Picker Base Ass'Y				4	
I-4-23	GP-005368-00	Picker	~ 2010.03.17	X		4	
	GP-005368-01		2010.03.18 ~				
	GP-052407-00	Picker					
I-4-24	07018SC-8118	Plus Screw (M3*L8)	~ 2010.12.30		O	8	
	PSC-BD001300		2010.12.31 ~				
I-4-25	WS-000085-00	Washer for Picker Base	~ 2012.03.26	X		8	
	DWS-AA027100		2012.03.27 ~				
I-4-26	GP-005366-00	Picker Bracket	~ 2011.01.30	X		4	
	GP-005366-01		2011.01.31 ~ 2011.06.01	△			
	GP-005366-02		2011.06.02 ~ 2011.09.25	△			
	GP-005366-03		2011.09.26 ~ 2011.11.21	△			
	GP-005366-04		2011.11.22 ~ 2012.01.05				
	GP-005366-05	2012.01.06 ~					
		GP-052409-00	Picker Bracket (Large Hook)	~ 2011.09.25	X		4
	GP-052409-01	2011.09.26 ~		△			
I-4-27	15159SR-4013	E-Ring (3@)	~ 2011.12.26		O	4	
	PSR-AC002300		2011.12.27 ~				
I-4-28	116410S-8118	Driver Screw 11/64-40,L10				8	
I-4-29	GP-005362-00	Hook Cover Holder	~ 2012.03.26	X		4	
	LPC-BG000100		2012.03.27 ~				
I-4-30	LPC-FA000100	Picker Stopper		X		4	
I-4-31	04026SC-T121	Needle Plate Pin	~ 2012.03.26			4	
	DSC-BF022000		2012.03.27 ~				
I-4-32	02008SC-4122	Needle Plate Bracket Screw				8	
I-4-33	02019BM-T121	Needle Plate Set(Cap)	~ 2012.03.26			4	
	BHB-PS002300		2012.03.27 ~				
I-4-34	02019PR-T121	Needle Plate(Cap)	~ 2012.03.07			4	
	LHB-GA000500		2012.03.08 ~ 2017.10.18				
	LHB-GA000501		2017.10.19 ~				

Note

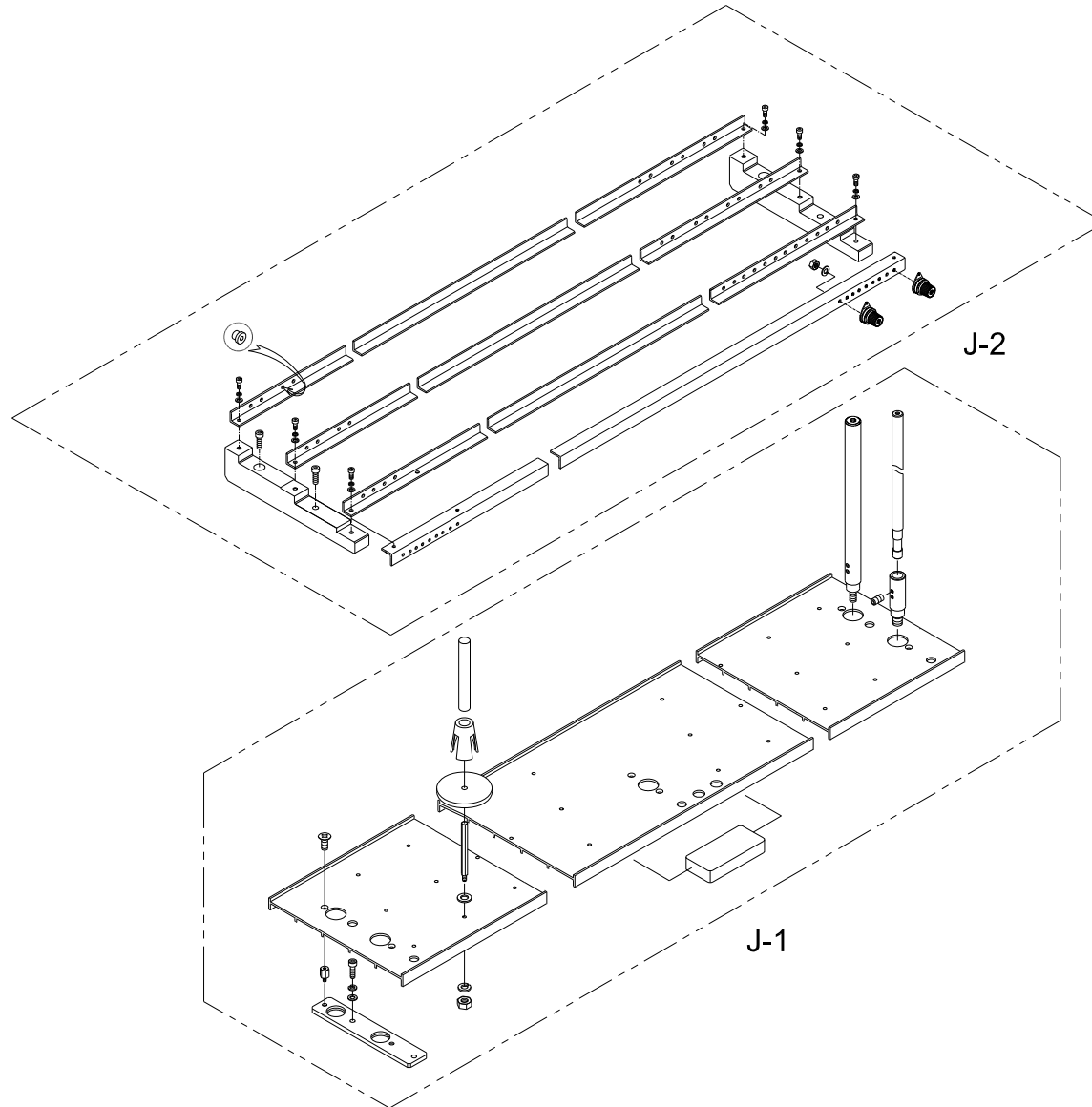
I-4



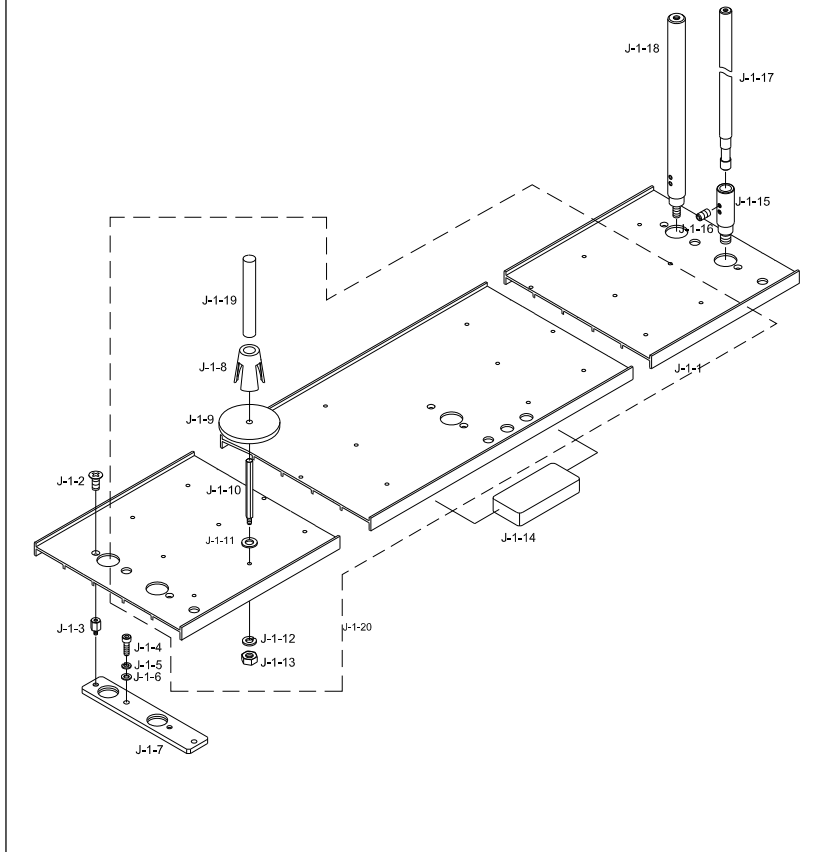
Note

Ref.No	PartNo.	PartName	Application date	Interchangeability	Hardware	Qty	Remarks
I-4-35	04007SC-A001	Cushion Cover Screw (M3*L2.3)	~ 2011.09.26		O	8	
	DSC-BB007500		2011.09.27 ~				
I-4-36	04004AF-A001	Needle Plate Screw	~ 2009.07.28			8	
	DSC-BC000300		2009.07.29 ~				
I-4-37	GP-010385-00	Needle Guide Plate	~ 2008.07.14	X		4	
	GP-042138-00		2008.07.15 ~ 2008.07.21				
	GP-042138-01		2008.07.22 ~ 2008.11.04				
	GP-042138-02		2008.11.05 ~ 2011.07.04				
	GP-042138-03		2011.07.05 ~ 2012.03.07				
	LHB-BB000500		2012.03.08 ~ 2012.06.07				
I-4-38	GP-005359-00	Bed Cover	~ 2005.05.12	X		3	
	GP-005359-01		2005.05.13 ~ 2005.08.24	△			
	GP-005359-02		2005.08.25 ~ 2012.03.07	△			
	LHB-LB000300		2012.03.08 ~				
I-4-39	02030SC-T121	Bed Cover Screw (9/64" 40)	~ 2011.04.27			12	
	DSC-BF019800		2011.04.28 ~				
I-4-40	GP-006619-00	Rail Guide Bed Cover	~ 2005.08.24	X		1	
	GP-006619-01		2005.08.25 ~	△			
I-4-41	PSC-AC013400	Screw (M3*L10)				4	

SPOOL



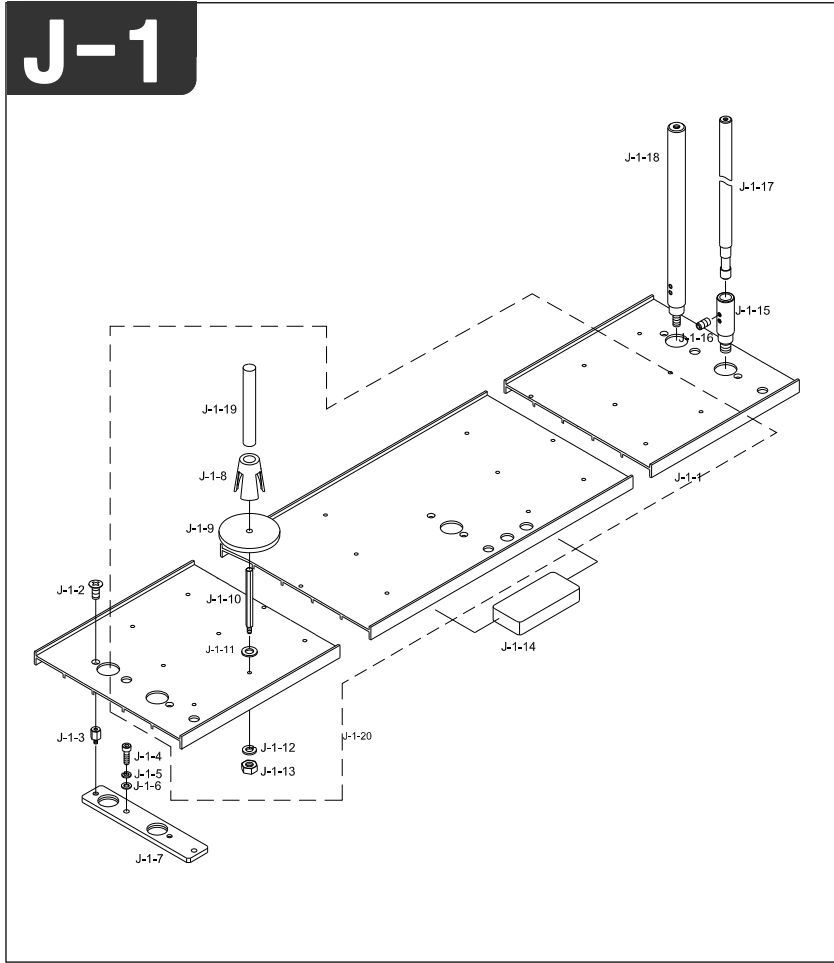
J-1



Ref.No	PartNo.	PartName	Application date	Interchangeability	Hardware	Qty	Remarks
J-1-1	12001AD-UK02	Spool Plate (L=950)	~ 2010.12.12			1	
	GP-051593-00		2010.12.13 ~				
	12001AD-UK12	Spool Plate (L=1080)	~ 2009.07.01			1	
	GP-046285-00		2009.07.02 ~				
	11000102UK00	Spool Plate(L=2080)				1	
	GP-054455-00		~ 2012.02.01				
	GP-054455-01	Spool Plate(L=2080)	2012.02.02 ~			1	
	GP-054583-02						
	05100102UK00	Spool Plate (L=3020)				1	
	05100103UK00	Spool Plate (L=2950)	~ 2010.12.12			1	
	GP-051596-00		2010.12.13 ~				
	12001AD-UK06	Spool Plate (L=2950)	~ 2010.12.12			1	
	GP-051595-00		2010.12.13 ~				
	GP-025695-04	Spool Plate (L=2950)				1	
	GP-051590-01	Spool Plate L=2480				1	
	GP-030551-03	Spool Plate L=2480				1	
	05100104UH08	SPOOL PLATE L=3280	~ 2010.12.12			1	
	GP-041090-01		2010.12.13 ~				
05100105UH80	SPOOL PLATE L=3280	~ 2010.12.12			1		
GP-051591-00		2010.12.13 ~					
J-1-2	02002SC-7119	Plus Screw (M4*L8)	~ 2010.12.30		O	8	
	PSC-BB002100		2010.12.31 ~		O		
J-1-3	11005CW-UK01	Spool Plate Fixing Bolt M6*L21			O	8	
	03016SC-4113		~ 2010.12.30		O		
J-1-5	18048SW-3115	Spring Washer (@5)	~ 2009.07.28		O	8	
	PWS-CA000800		2009.07.29 ~		O		
J-1-6	18049SW-3111	Washer (@5)	~ 2009.07.28		O	8	
	PWS-AA001500		2009.07.29 ~		O		
J-1-7	11006PR-UK01	Spool Plate Base				4	
J-1-8	12012PM-A001	Spool Holder				48	
J-1-9	12052SF-A001	Spool Sponge				48	
J-1-10	GP-054029-00	Spool Post				48	
J-1-11	18049SW-3111	Washer (@5)	~ 2009.07.28		O	48	
	PWS-AA001500		2009.07.29 ~		O		
J-1-12	18048SW-3115	Spring Washer (@5)	~ 2009.07.28		O	48	
	PWS-CA000800		2009.07.29 ~		O		
J-1-13	12010SN-1211	Hex.Nut (M5)	~ 2009.10.28			48	
	PSN-AA002600		2009.10.29 ~				

Note

J-1

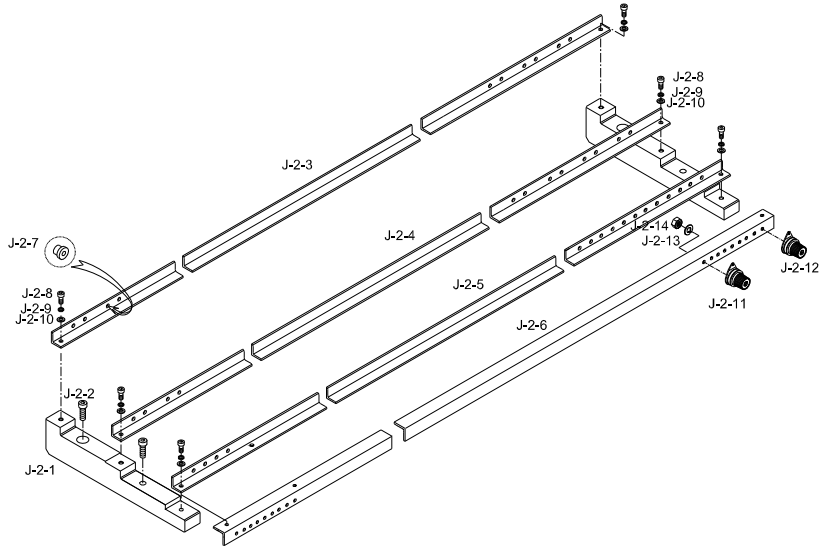


Note

Ref.No	PartNo.	PartName	Application date	Interchangeability	Hardware	Qty	Remarks
J-1-14	12033RB-UK01	Cushion Rubber	~ 2010.06.09			1	
	GP-048503-00		2010.06.10 ~				
J-1-15	12014SC-A001	Spool Stand Bolt				5	
J-1-16	04014SC-4517	Hex.Socket Set Screw(M5*L5)	~ 2009.06.07		O	10	
	PSC-CB000300		2009.06.08 ~	O			
J-1-17	12015SF-A001	Spool Stand (L=330)	~ 2012.07.01			5	
	GP-052774-00		2012.07.02 ~				
	01001500T000	Spool Stand (L=380)	~ 2012.07.01				
	GP-052771-00		2012.07.02 ~				
J-1-18	01001504U000	Spool Stand L=345				4	
	01001505U000	Spool Stand L=395					
	01001504U000	Spool Stand L=345					
	01001505U000	Spool Stand L=395					
J-1-19	10000100A000	Thread Guide L=200				8	
J-1-20	AS-019351-00	Spool Plate Assy				1	



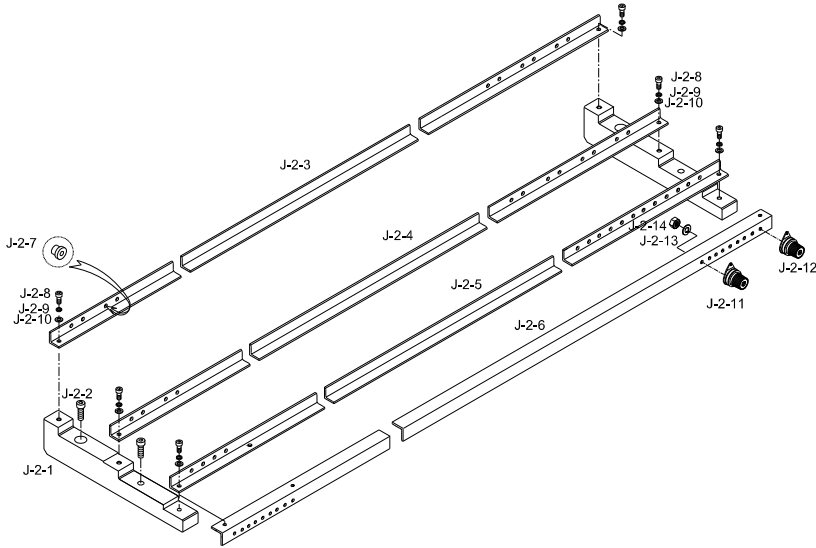
J-2



Note

Ref.No	PartNo.	PartName	Application date	Interchangeability	Hardware	Qty	Remarks
J-2-1	10600100H000	Thread Angle Frame	~ 2012.08.21			5	
	GP-056503-00		2012.08.22 ~				
J-2-2	03016SC-4113	Hex. Socket Bolt (M5*L15)	~ 2010.12.30		O	5	
	PSC-AC017400		2010.12.31 ~		O		
J-2-3	12019AD-UK02	Angle "A" L=890 (UK1202)				1	
	12019AD-UK12	Angle "A" L=1020 (UK1502)				1	
	05200304UK24	Angle "A" L=2020 (UK604)				1	
	GP-054451-00	Angle "A" L=2020 (UK1204)				1	
	11022AD-UK14	Angle "A" L=2020 (UK1504)				1	
	05200102UK00	Angle (A) L=3020 (UK606)				1	
	05200103UK00	Angle (A) L=3020 (UK906)				1	
	12019AD-UK06	Angle (A) L=3020 (UK1206)				1	
	12019AD-UK16	Angle (A) L=3020 (UK1506)				1	
	05200104UH00	Angle "A" L=2420 (UH1206C)				1	
	05200105UH00	Angle "A" L=2420 (UH1506C)				1	
	05200104UH08	Angle "A" L=3220 (UH1208)				1	
	05200105UH80	Angle "A" L=3220 (UH1508)				1	
	J-2-4	12020AD-UK02	Angle "B" L=890 (UK1202)				1
12020AD-UK12		Angle "B" L=1020 (UK1502)				1	
05200404UK24		Angle "B" L=2020 (UK604)				1	
GP-054452-00		Angle "B" L=2020 (UK1204)				1	
11023AD-UK14		Angle "B" L=2020 (UK1504)				1	
05200202UK00		Angle (B) L=3020 (UK606)				1	
05200203UK00		Angle (B) L=3020 (UK906)				1	
12020AD-UK06		Angle (B) L=3020 (UK1206)				1	
12020AD-UK16		Angle (B) L=3020 (UK1506)				1	
05200204UH00		Angle "B" L=2420 (UH1206C)				1	
05200205UH00		Angle "B" L=2420 (UH1506C)				1	
05200204UH08		Angle "B" L=3220 (UH1208)				1	
05200205UH80		Angle "B" L=3220 (UH1508)				1	

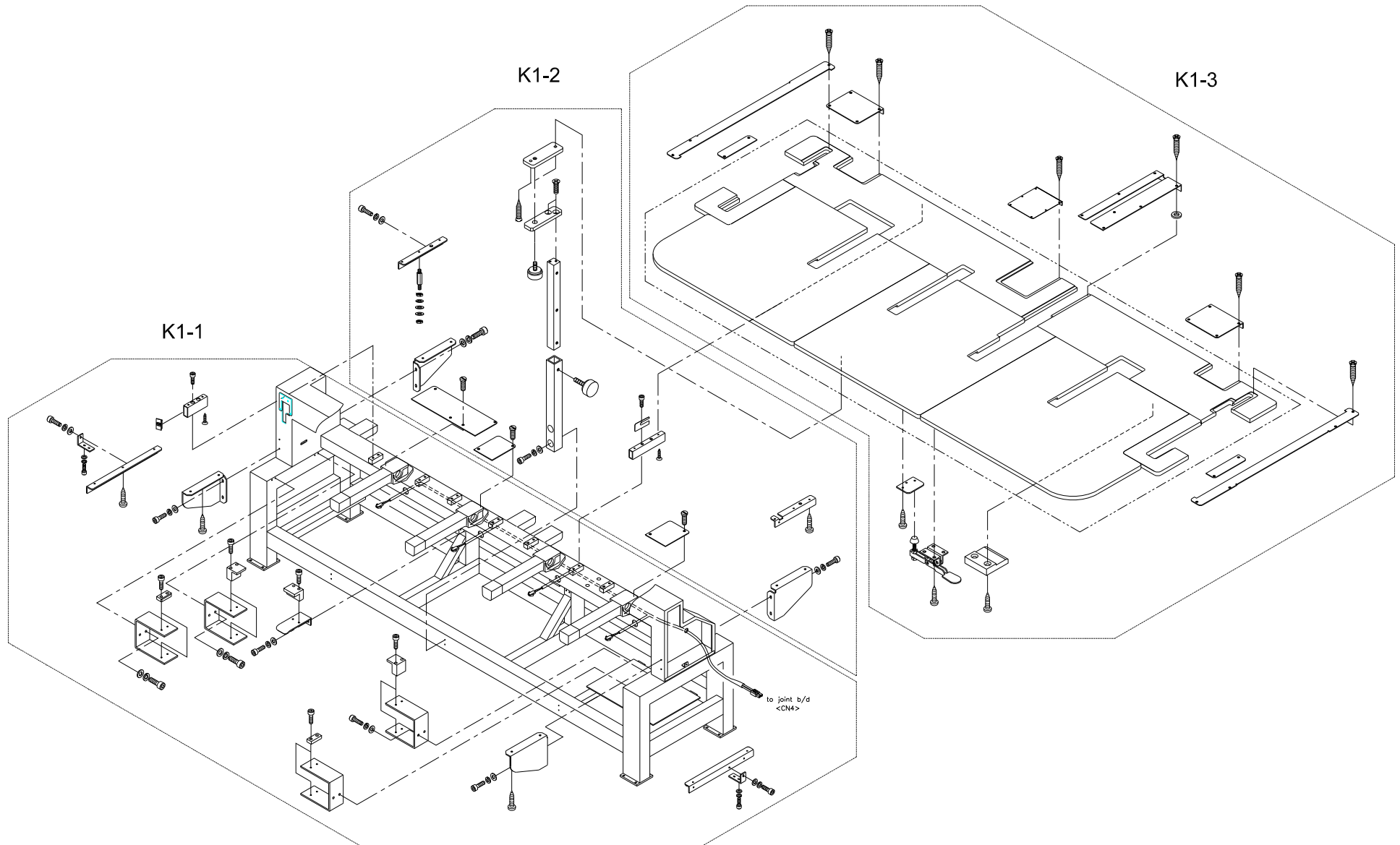
J-2



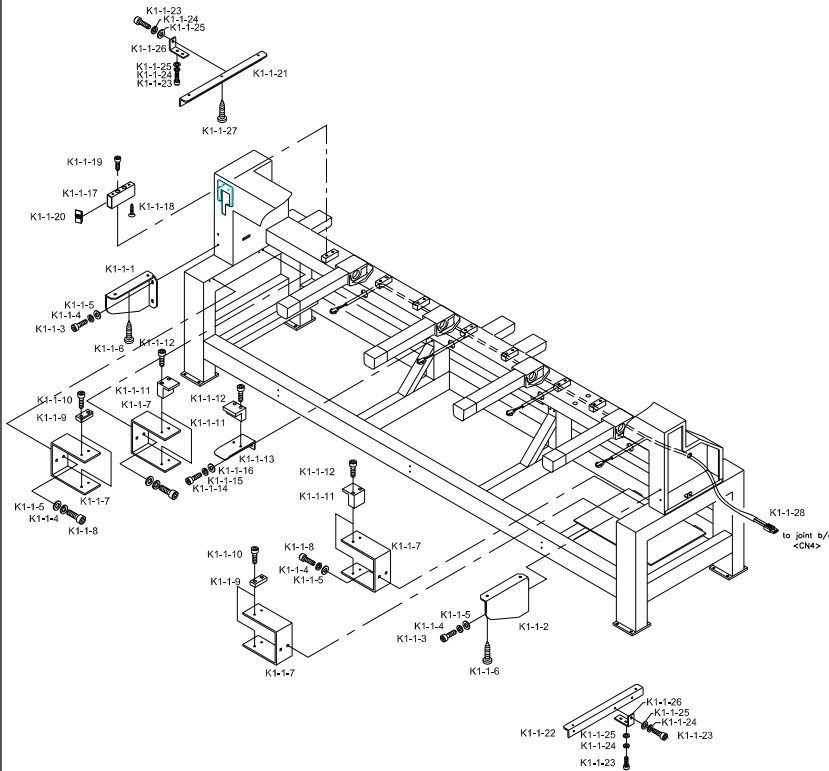
Note

Ref.No	PartNo.	PartName	Application date	Interchangeability	Hardware	Qty	Remarks
J-2-5	05200104UK20	Angle "C" L=890 (UK1202)				1	
	05200105UK20	Angle "C" L=1020 (UK1502)				1	
	05200104UK24	Angle "C" L=2020 (UK604)				1	
	GP-054453-00	Angle "C" L=2020 (UK1204)				1	
	05200105UK40	Angle "C" L=2020 (UK1504)				1	
	05200104UK60	Angle "C" (L=3020) (UK606)				1	
	05200303UK00	Angle "C" (L=3020) (UK906)				1	
	05200105UK60	Angle "C" (L=3020) (UK1206)				1	
	05200312UK00	Angle "C" (L=3020) (UK1506)				1	
	05200314UH00	Angle "C" (L=2420) (UH1206C)				1	
	05200315UH00	Angle "C" L=2420 (UH1506C)				1	
	05200304UH08	Angle "C" L=3220 (UH1208)				1	
05200305UH80	Angle "C" L=3220 (UH1508)				1		
J-2-6	05200214UK20	Angle "D" L=890 (UK1202)				1	
	05200215UK20	Angle "D" L=1020 (UK1502)				1	
	05200214UK24	Angle "D" L=2020 (UK604)				1	
	GP-054454-00	Angle "D" L=2020 (UK1204)				1	
	05200215UK40	Angle "D" L=2020 (UK1504)				1	
	05200214UK60	Angle "D" (L=3020) (UK606)				1	
	05200403UK00	Angle "D" (L=3020) (UK906)				1	
	05200215UK60	Angle "D" (L=3020) (UK1206)				1	
	05200412UK00	Angle "D" (L=3020) (UK1506)				1	
	05200414UH00	Angle "D" (L=2420) (UH1208)				1	
05200415UH00	Angle "D" (L=2420) (UH1508)				1		
J-2-8	12042PM-A001	Eyelet				96	
J-2-9	02015SC-7113	Hex.Socket Bolt(M4*L10)	~ 2009.09.28			15	
	PSC-AC007100		2009.09.29 ~				
J-2-10	02028SW-9115	Spring Washer (@4)	~ 2009.07.28			15	
	PWS-CA000700		2009.07.29 ~				
J-2-11	06003SW-2111	Washer (@4)	~ 2011.02.24			15	
	PWS-AA003900		2011.02.25 ~				
J-2-12	10600110B000	SUB TENSION ADJUSTING SET				44	
J-2-13	10600210B000	SUB TENSION ADJUSTING SET				4	
J-2-14	18048SW-3115	Spring Washer (@5)	~ 2009.07.28		○	48	
	PWS-CA000800		2009.07.29 ~				
J-2-15	03031SN-A001	Pin. Nut (11/64,N=40)	~ 2010.03.30		○	48	
	DSN-AA001600		2010.03.31 ~				
J-2-16	AS-001334-00	Angle Assy	~ 2010.12.12		X	1	
	AS-001334-01		2010.12.13 ~				

Table (UK1204)



K1-1

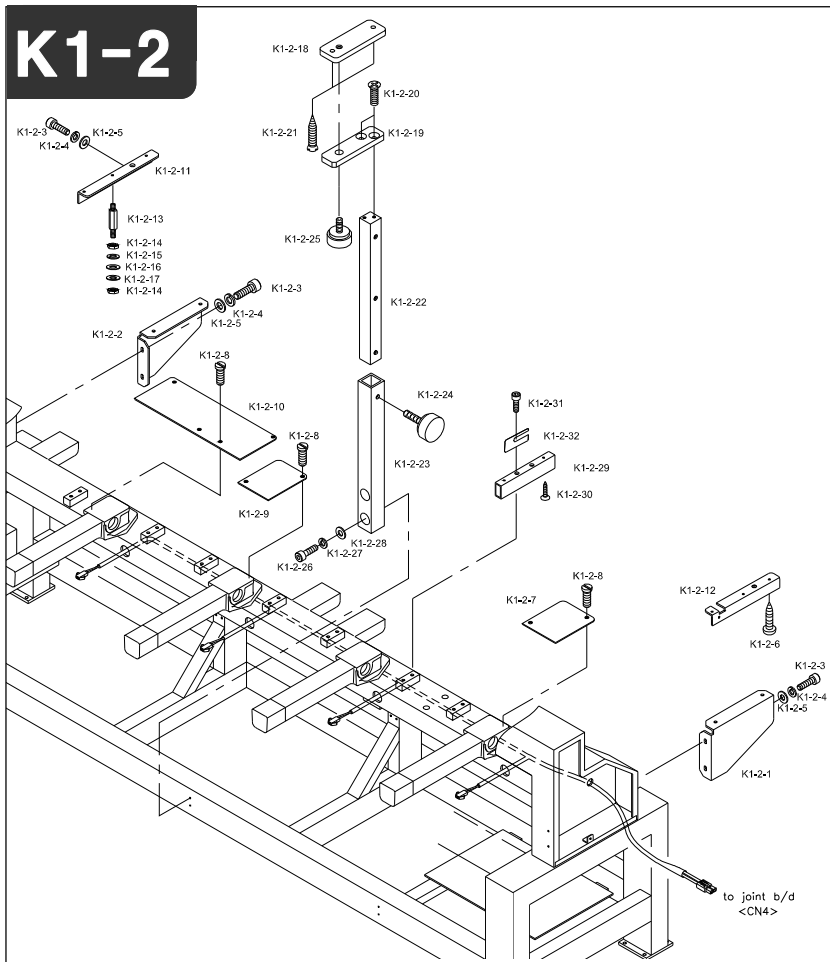


Note

Ref.No	PartNo.	PartName	Application date	Interchangeability	Hardware	Qty	Remarks
K1-1-1	16020PR-UK01	Front Table Support (L)				1	
K1-1-2	16025PR-UK01	Front Table Support (R)				1	
K1-1-3	08076SC-7113	Hex. Socket Bolt (M5*L12)	~ 2011.04.27		O	7	
	PSC-AC018600		2011.04.28 ~		O		
K1-1-4	18048SW-3115	Spring Washer (@5)	~ 2009.07.28		O	12	
	PWS-CA000800		2009.07.29 ~		O		
K1-1-5	16018SW-1111	Washer (@5)	~ 2011.04.27		O	12	
	PWS-AA004600		2011.04.28 ~		O		
K1-1-6	16009SC-8330	Tapping Screw (M6*L20)			O	71	
K1-1-7	17077PR-UK01	Table Fixing Plate	~ 2009.03.10			4	
	GP-044799-00		2009.03.11 ~				
K1-1-8	08062SC-7113	Hex. Socket Bolt (M5*L20)	~ 2009.06.01		O	8	
	PSC-AC001300		2009.06.02 ~		O		
K1-1-9	17085PM-UK01	Positioning Block				4	
K1-1-10	02015SC-7113	Hex.Socket Bolt(M4*L10)	~ 2009.09.28		O	14	
	PSC-AC007100		2009.09.29 ~		O		
K1-1-11	05008100UK40	Table Fixing Block	~ 2009.05.11			6	
	GP-045797-00		2009.05.12 ~				
K1-1-12	05014SC-7113	Hex. Socket Bolt (M4*L25)	~ 2009.07.28		O	12	
	PSC-AC004400		2009.07.29 ~		O		
K1-1-13	17073PR-UK01	Table Support Angle "F"				2	
K1-1-14	08076SC-7113	Hex. Socket Bolt (M5*L12)	~ 2011.04.27		O	12	
	PSC-AC018600		2011.04.28 ~		O		
K1-1-15	18048SW-3115	Spring Washer (@5)	~ 2009.07.28		O	12	
	PWS-CA000800		2009.07.29 ~		O		
K1-1-16	16018SW-1111	Washer (@5)	~ 2011.04.27		O	12	
	PWS-AA004600		2011.04.28 ~		O		
K1-1-17	GP-008127-00	Table Support Angle (B) L140	~ 2006.08.10		X	1	
	GP-008127-01		2006.08.11 ~		△		
K1-1-18	16009SC-8330	Tapping Screw (M6*L20)			O	2	
K1-1-19	14002SC-7113	Hex.Socket Bolt (M6*L15)	~ 2009.08.27		O	2	
	PSC-AC005800		2009.08.28 ~		O		
K1-1-20	GP-003757-00	TABLE SUPPORT END CAP	~ 2006.09.28		X	16	
	GP-011803-00		2006.09.29 ~				
K1-1-21	16000100U000	TABLE SUPPORT ANGLE (A1)	~ 2009.04.13			1	
	GP-045178-00		2009.04.14 ~				
K1-1-22	16000200U000	TABLE SUPPORT ANGLE (D1)	~ 2009.04.13			1	
	GP-045179-00		2009.04.14 ~				
K1-1-23	08076SC-7113	Hex. Socket Bolt (M5*L12)	~ 2011.04.27		O	12	
	PSC-AC018600		2011.04.28 ~		O		
K1-1-24	18048SW-3115	Spring Washer (@5)	~ 2009.07.28		O	12	
	PWS-CA000800		2009.07.29 ~		O		
K1-1-25	16018SW-1111	Washer (@5)	~ 2011.04.27		O	12	
	PWS-AA004600		2011.04.28 ~		O		
K1-1-26	05001500UK40	Angle Support				4	
K1-1-27	16009SC-8330	Tapping Screw (M6*L20)			O	6	
K1-1-28	25025EL-UK01	Picker Sol. Connecting/ 4Ht-25				1	

K1

K1-2

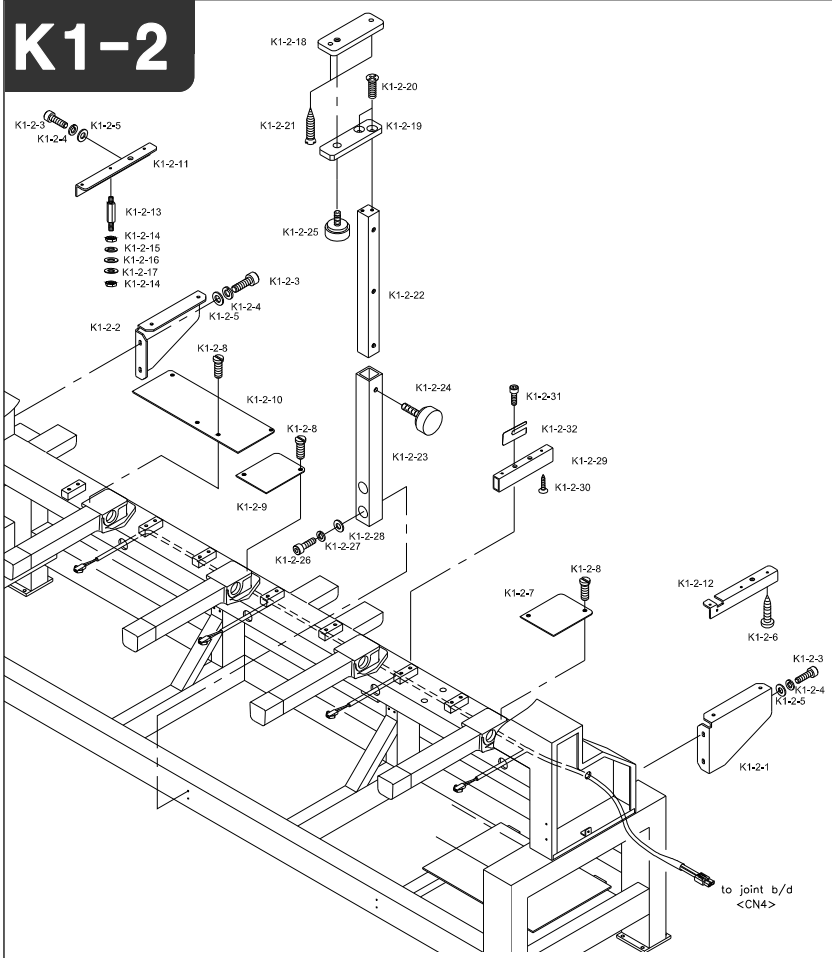


Note

Ref.No	PartNo.	PartName	Application date	Interchangeability	Hardware	Qty	Remarks
K1-2-1	16020PR-UK01	Front Table Support (L)				1	
K1-2-2	16025PR-UK01	Front Table Support (R)				1	
K1-2-3	08076SC-7113	Hex. Socket Bolt (M5*L12)	~ 2011.04.27		O	7	
	PSC-AC018600		2011.04.28 ~		O		
K1-2-4	18048SW-3115	Spring Washer (@5)	~ 2009.07.28		O	12	
	PWS-CA000800		2009.07.29 ~		O		
K1-2-5	16018SW-1111	Washer (@5)	~ 2011.04.27		O	12	
	PWS-AA004600		2011.04.28 ~		O		
K1-2-6	16009SC-8330	Tapping Screw (M6*L20)			O	35	
K1-2-7	16016PR-UK01	GEAR COVER				1	
K1-2-8	02030SC-T121	Bed Cover Screw(9/64" 40)	~ 2011.04.27			10	
	DSC-BF019800		2011.04.28 ~				
K1-2-9	16016PR-UK01	Gear Cover				1	
K1-2-10	16018PR-UK01	Mes Cam Driving Box Cover				1	
K1-2-11	05000920UH01	TABLE SUPPORT ANGLE (A)L250				1	
K1-2-12	05001120UH01	TABLE SUPPORT ANGLE (D)L250	~ 2009.04.12			1	
	GP-045185-00		2009.04.13 ~				
K1-2-13	05001600U000	Table Support Stud				4	
K1-2-14	02015SC-7113	Hex.Socket Bolt(M4*L10)	~ 2009.09.28			7	
	PSC-AC007100		2009.09.29 ~				
K1-2-15	04032SN-A001	Hex. Nut (M8-No2)	~ 2011.02.24			8	
	DSN-AA005500		2011.02.25 ~				
K1-2-16	15095SW-3115	Spring Washer (@8)	~ 2010.05.27		O	4	
	PWS-CA002000		2010.05.28 ~		O		
K1-2-17	04030SW-A001	Stud Bolt Washer(L) (@8)	~ 2011.04.27		O	4	
	DWS-AA022700		2011.04.28 ~		O		
K1-2-18	16061PR-UK01	Table Support Plate (A)	~ 2010.06.09			3	
	GP-048520-00		2010.06.10 ~				
K1-2-19	16058AD-UK01	Table Support Plate (B)				3	
K1-2-20	15089SC-7119	C,S Screw (M4*L12)	~ 2011.04.27			6	
	PSC-BB003000		2011.04.28 ~				
K1-2-21	17012SC-8329	Hex. Socket Set Screw(M4*L16)			O	6	
K1-2-22	05001300U000	Table Support L=263				3	
K1-2-23	GP-030271-00	Table Support Guide				3	
K1-2-24	17062SC-UK01	Table Support Stopper Screw				3	
K1-2-25	17063SC-UK01	Table Support Stopper Screw				3	
K1-2-26	02015SC-7113	Hex.Socket Bolt(M4*L10)	~ 2009.09.28		O	6	
	PSC-AC007100		2009.09.29 ~		O		
K1-2-27	02028SW-9115	Spring Washer (@4)	~ 2009.07.28		O	6	
	PWS-CA000700		2009.07.29 ~		O		

K1

K1-2

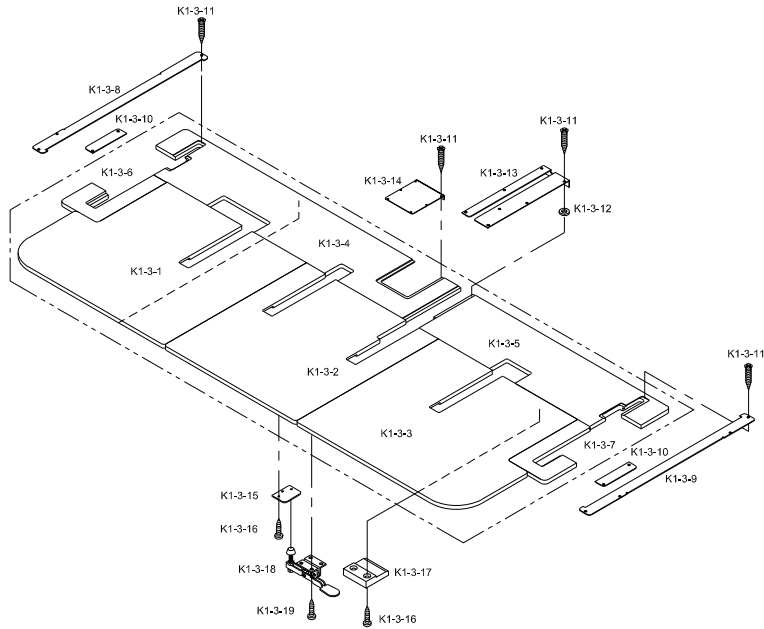


Note

Ref.No	PartNo.	PartName	Application date	Interchangeability	Hardware	Qty	Remarks
K1-2-28	05009SW-1111	Washer (@4-L)	~ 2011.02.24		O	6	
	PWS-AA004400		2011.02.25 ~		O		
K1-2-29	GP-008797-00	Table Support Angle (C/L266.5		X		7	
	GP-008797-01			△			
K1-2-30	16009SC-8330	Tapping Screw (M6*L20)			O	14	
K1-2-31	14002SC-7113	Hex.Socket Bolt (M6*L15)	~ 2009.08.27		O	14	
	PSC-AC005800		2009.08.28 ~		O		
K1-2-32	05001700U000	Table Support Plate	~ 2006.08.22			16	
	16010PR-A001		2006.08.23 ~				
K1-2-33	AS-016383-00	Table Support Angle Assy		X		7	

K1

K1-3

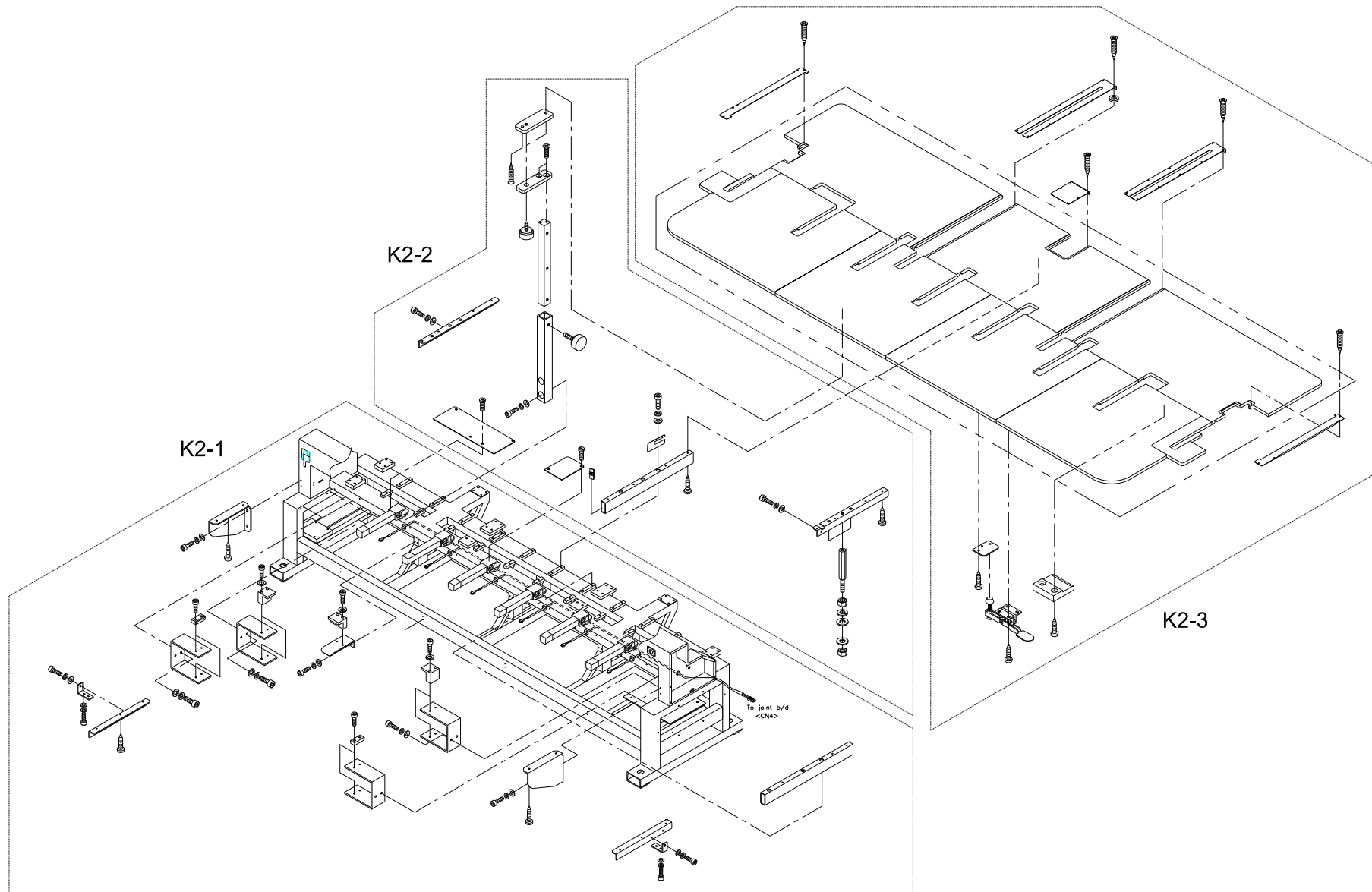


Note

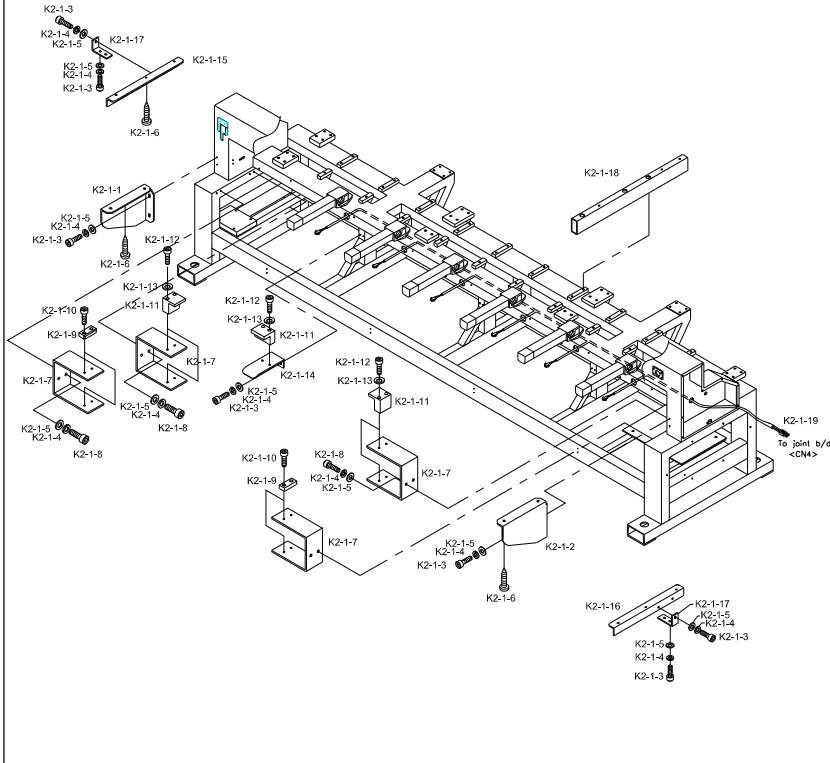
Ref.No	PartNo.	PartName	Application date	Interchangeability	Hardware	Qty	Remarks
K1-3-1	05000500UK40	Table "A"				1	
K1-3-2	GP-008132-00	Table "B"	~ 2005.08.30	X		1	
	GP-008132-01		2005.09.01 ~	△			
K1-3-3	05000700UK40	Table "C"				1	
K1-3-4	GP-044546-00	Fixed Table "A"	~ 2009.07.14	X		1	
	GP-044546-01		2009.07.15 ~				
K1-3-5	GP-044547-00	FIXED TABLE "B"	~ 2009.07.14	X		1	
	GP-044547-01		2009.07.15 ~				
K1-3-6	GP-044084-00	Fixed Table "C"		X		1	
K1-3-7	GP-044085-00	Fixed Table "D"	~ 2009.04.05	X		1	
	GP-044085-01		2009.04.06 ~	△			
K1-3-8	GP-044086-00	Lm Guide Cover (L) L=693		X		1	
K1-3-9	GP-044087-00	Lm Guide Cover (R) L=693		X		1	
K1-3-10	05001400UH00	Belt Cover				2	
K1-3-11	08101SC-8329	Tapping Screw (M3*L16)	~ 2009.10.28		O	27	
	PSC-DC000300		2009.10.29 ~		O		
K1-3-12	10000310A000	Washer T=0.3,0.5,0.8,1.2,1.6				30	
K1-3-13	GP-008128-00	Rail Guide Table Cover L352		X		1	
K1-3-14	GP-007514-00	Y-Driving Box Cover B		X		1	
K1-3-15	16065PR-UK01	Clamp Plate				4	
K1-3-16	16009SC-8330	Tapping Screw (M6*L20)			O	12	
K1-3-17	16063PM-UK01	Table Holding Block				7	
K1-3-18	16067ET-UK01	Table Toggle Clamp				8	
K1-3-19	19002SC-1330	Tapping Screw (4*L16-No1)			O	32	

K1

Table (UK1206)



K2-1

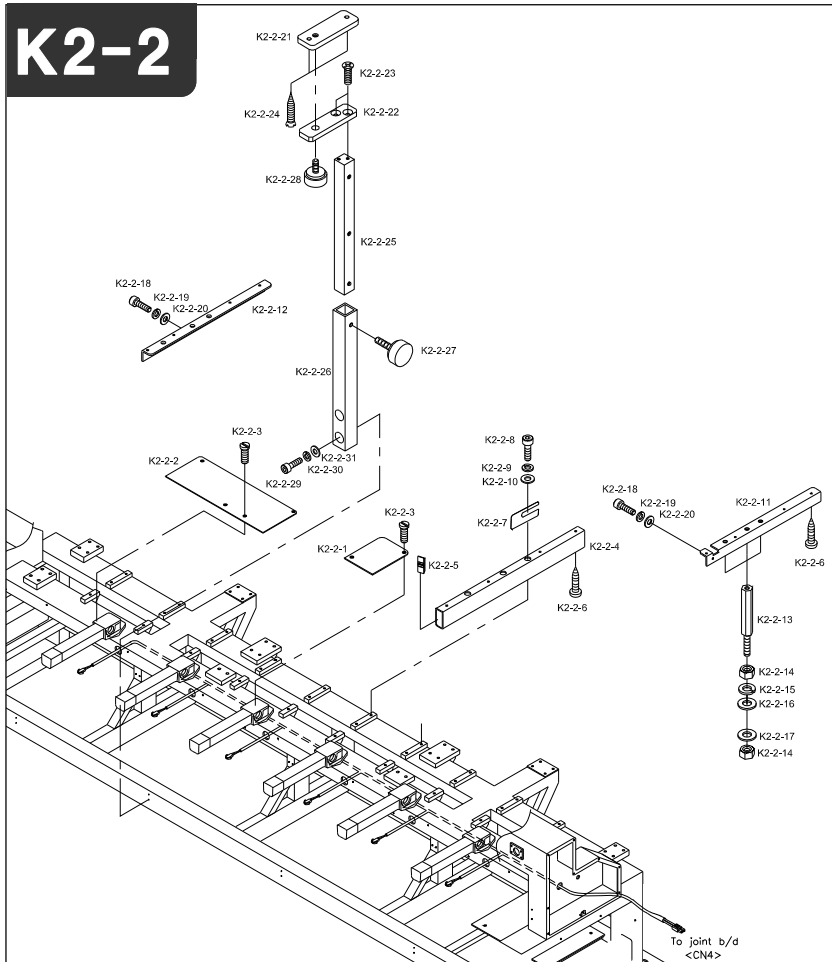


Note

Ref.No	PartNo.	PartName	Application date	Interchangeability	Hardware	Qty	Remarks
K2-1-1	16020PR-UK01	Front Table Support (L)				1	
K2-1-2	16025PR-UK01	Front Table Support (R)				1	
K2-1-3	03016SC-4113	HEX. SOCKET BOLT(M5*L15)	~ 2010.12.30		O	26	
	PSC-AC017400		2010.12.31 ~	O			
K2-1-4	18048SW-3115	Spring Washer (@5)	~ 2009.07.28		O	34	
	PWS-CA000800		2009.07.29 ~	O			
K2-1-5	16018SW-1111	Washer (@5)	~ 2011.04.27		O	34	
	PWS-AA004600		2011.04.28 ~	O			
K2-1-6	16009SC-8330	Tapping Screw (M6*L20)			O	83	
K2-1-7	17077PR-UK06	Table Fixing Plate	~ 2004.03.25		O	4	
	05001500UH80		2004.03.26 ~				
K2-1-8	08076SC-7113	HEX. SOCKET BOLT(M5*L12)	~ 2011.04.27		O	8	
	PSC-AC018600		2011.04.28 ~	O			
K2-1-9	17085PM-UK01	Positioning Block				4	
K2-1-10	02015SC-7113	Hex.Socket Bolt(M4*L10)	~ 2009.09.28		O	8	
	PSC-AC007100		2009.09.29 ~	O			
K2-1-11	05008100UK40	Table Fixing Block	~ 2009.05.11			7	
	GP-045797-00		2009.05.12 ~				
K2-1-12	04030MC-4113	HEX.SOCKET BOLT(M4*L30)	~ 2004.11.11		O	14	
	05014SC-7113		2004.11.12 ~	O			
K2-1-13	18015SW-3111	WASHER(4@)	~ 2009.06.07		O	14	
	PWS-AA001000		2009.06.08 ~	O			
K2-1-14	17073PR-UK01	Table Support Angle "F"				3	
K2-1-15	05010200U000	TABLE SUPPORTER (A2) L=402	~ 2010.02.16			1	
	GP-045158-01		2010.02.17 ~				
K2-1-16	05010400U000	TABLE SUPPORTER (B2) L=402	~ 2010.02.16			1	
	GP-045177-01		2010.02.17 ~				
K2-1-17	05001500UK40	Angle Support				4	
K2-1-18	17105AD-UK06	TABLE SUPPORT D	~ 2009.02.24			2	
	GP-045185-00		2009.02.25 ~				
K2-1-19	25021EL-UK06	Cable (25-21)				1	

K2

K2-2

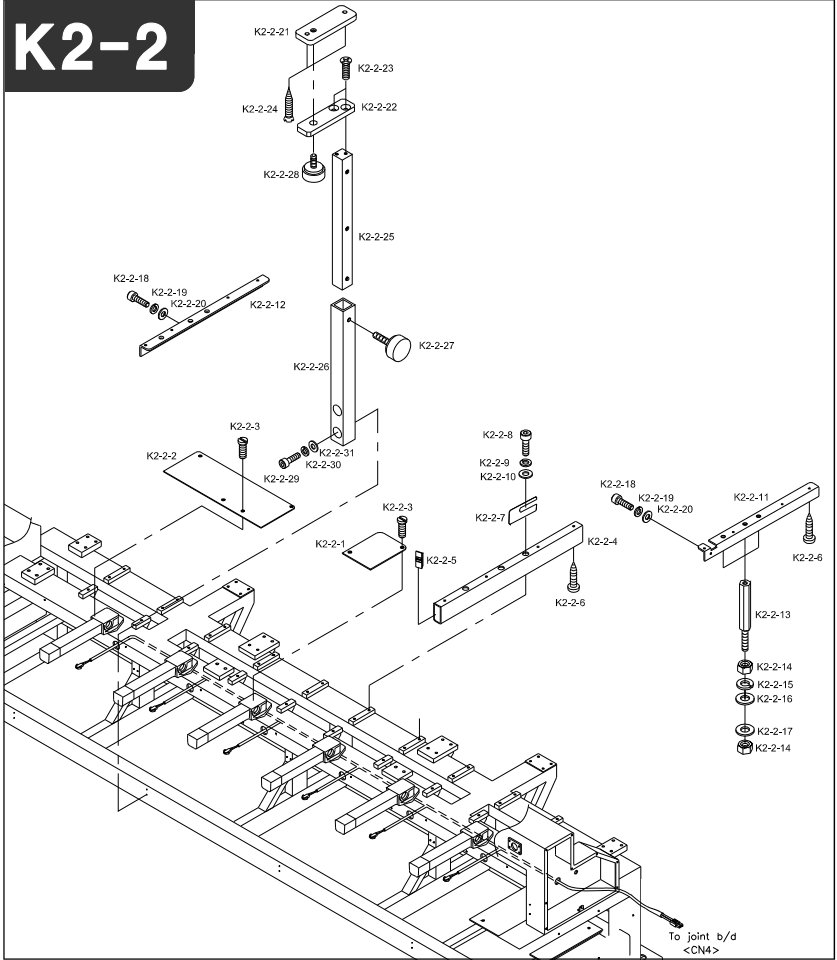


Note

Ref.No	PartNo.	PartName	Application date	Interchangeability	Hardware	Qty	Remarks
K2-2-1	16016PR-UK01	Gear Cover				4	
K2-2-2	16018PR-UK01	Mes Cam Driving Box Cover				1	
K2-2-3	02030SC-T121	Bed Cover Screw(9/64" 40)	~ 2011.04.27			14	
	DSC-BF019800		2011.04.28 ~				
K2-2-4	GP-008797-00	Table Supporter (C)	~ 2006.08.10	X		8	
	GP-008797-01		2006.08.11 ~ 2011.12.22	△			
	GP-008797-02		2011.12.23 ~				
K2-2-5	GP-003757-00	TABLE SUPPORT END CAP	~ 2006.09.28	X		24	
	GP-011803-00		2006.09.29 ~				
K2-2-6	16009SC-8330	Tapping Screw (M6*L20)			O	83	
K2-2-7	05001700U000	Table Support Plate	~ 2006.08.22			46	
	16010PR-A001		2006.08.23 ~				
K2-2-8	16009SC-4113	Hex.Socket Bolt(M10*L25)			O	30	
K2-2-9	16029SW-3115	Spring Washer (10@)	~ 2012.02.26		O	30	
	PWS-CA003500		2012.02.27 ~		O		
K2-2-10	01007SW-1111	Washer (10@)	~ 2011.12.26		O	30	
	PWS-AA005700		2011.12.27 ~		O		
K2-2-11	05010300U000	TABLE SUPPORTER (B1) L=628	~ 2010.12.13			1	
	GP-051630-00		2010.12.14 ~ 2011.03.08				
K2-2-12	GP-051630-01	TABLE SUPPORTER (A1) L=628	2011.03.09 ~			1	
	05010100U000		~ 2010.04.07				
	GP-048802-00		2010.04.08 ~ 2010.12.13				
	GP-048802-01		2010.12.14 ~ 2011.03.08				
K2-2-13	16021CW-A001	Table Support Stud				6	
	04032SN-A001		~ 2011.02.24		O		
K2-2-14	DSN-AA005500	Hex. Nut (M8-No2)	2011.02.25 ~		O	12	
	15095SW-3115		~ 2010.05.27		O		
K2-2-15	PWS-CA002000	Spring Washer (@8)	2010.05.28 ~		O	6	
	04030SW-A001		~ 2011.04.27		O		
K2-2-16	DWS-AA022700	Stud Bolt Washer(L) (@8)	2011.04.28 ~		O	6	
	04029SW-A001		~ 2009.10.28		O		
K2-2-17	DWS-AA009900	Stud Bolt Washer(S) (@8)	2009.10.29 ~		O	6	
	03016SC-4113		~ 2010.12.30				
K2-2-18	PSC-AC017400	HEX. SOCKET BOLT(M5*L15)	2010.12.31 ~			26	
	18048SW-3115		~ 2009.07.28		O		
K2-2-19	PWS-CA000800	Spring Washer (@5)	2009.07.29 ~		O	26	
	16018SW-1111		~ 2011.04.27				
K2-2-20	PWS-AA004600	Washer (@5)	2011.04.28 ~			26	

K2

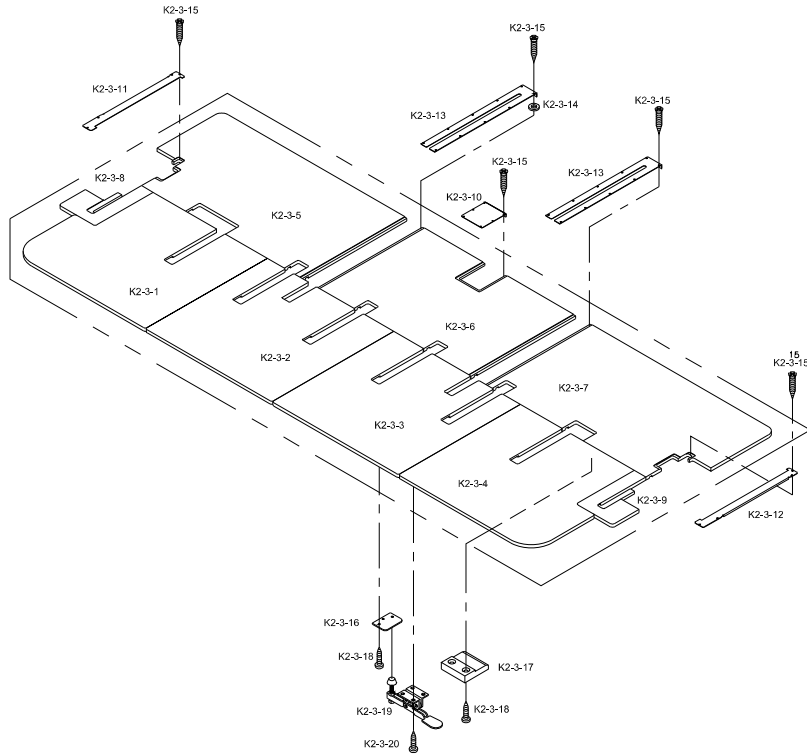
K2-2



Note

Ref.No	PartNo.	PartName	Application date	Interchangeability	Hardware	Qty	Remarks
K2-2-21	16061PR-UK01	Table Support Plate (A)	~ 2010.06.09			4	
	GP-048520-00		2010.06.10 ~				
K2-2-22	16058AD-UK01	Table Support Plate (B)				4	
K2-2-23	15089SC-7119	C.S Screw (M4*L12)	~ 2011.04.27		O	8	
	PSC-BB003000		2011.04.28 ~		O		
K2-2-24	08101SC-8329	Tapping Screw (M3*L16)	~ 2009.10.28		O	8	
	PSC-DC000300		2009.10.29 ~		O		
K2-2-25	05001300U000	Table Support L=263				4	
K2-2-26	GP-030271-00	Table Support Guide				4	
K2-2-27	17063SC-UK01	TABLE SUPPORT STOPPERSCREW				4	
K2-2-28	17062SC-UK01	Table Support Stopper Screw				4	
	17063SC-UK01	Table Support Stopper Screw				4	
K2-2-29	02015SC-7113	Hex.Socket Bolt(M4*L10)	~ 2009.09.28		O	8	
	PSC-AC007100		2009.09.29 ~		O		
K2-2-30	02028SW-9115	Spring Washer (@4)	~ 2009.07.28		O	8	
	PWS-CA000700		2009.07.29 ~		O		
K2-2-31	05009SW-1111	Washer (@4-L)	~ 2011.02.24		O	8	
	PWS-AA004400		2011.02.25 ~		O		

K2-3

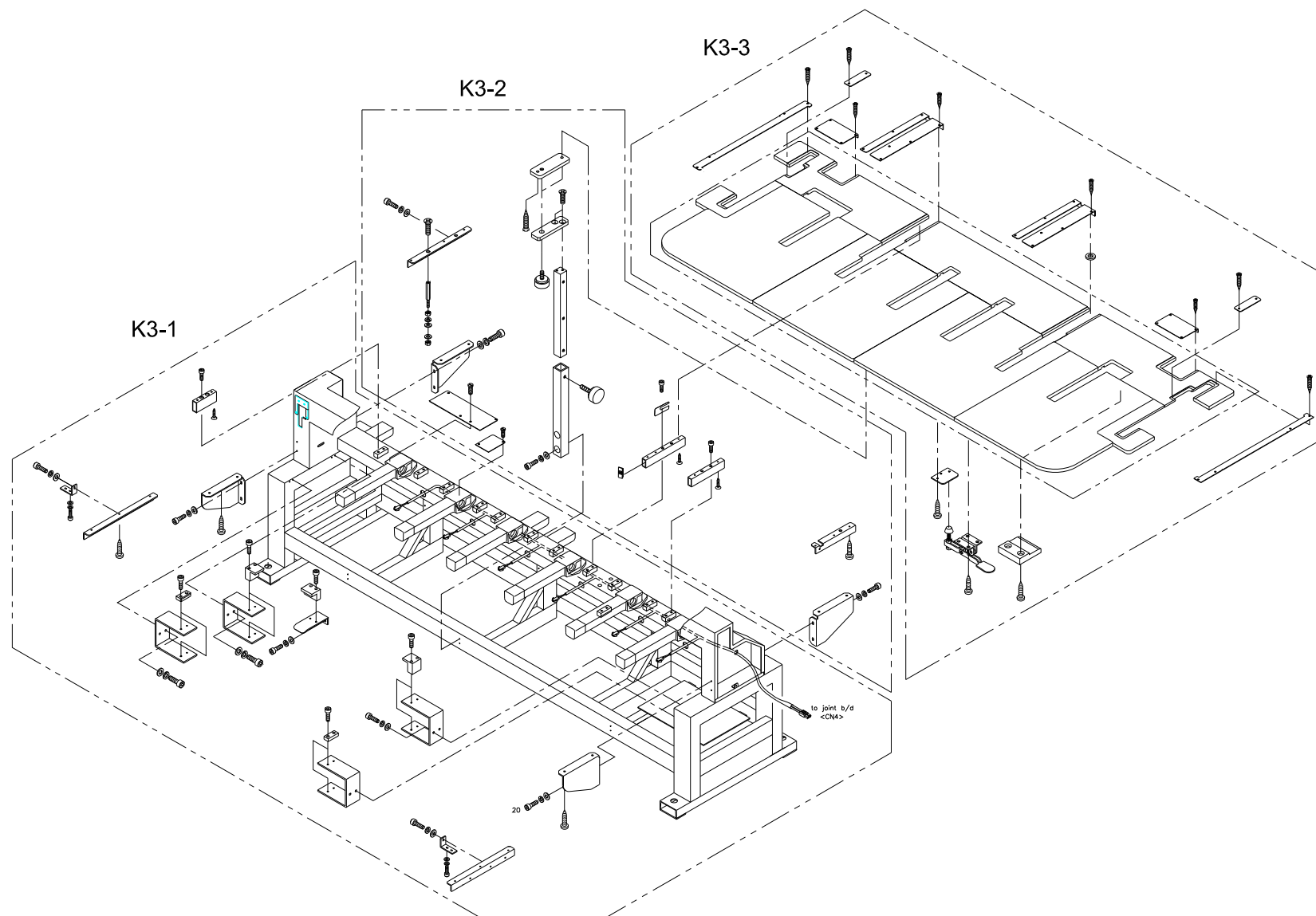


Note

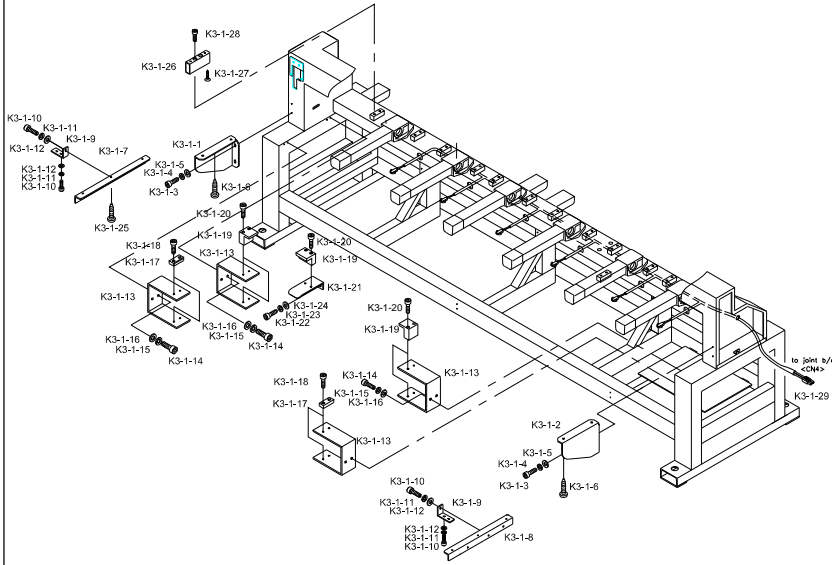
Ref.No	PartNo.	PartName	Application date	Interchangeability	Hardware	Qty	Remarks
K2-3-1	05000600UK60	Table "A"				1	
K2-3-2	05000700UK60	Table "B"				1	
K2-3-3	05000900UK60	Table "C"				1	
K2-3-4	05001000UK60	Table "D"				1	
K2-3-5	GP-044989-00	Fixed Table "A"		X		1	
K2-3-6	GP-044990-00	Fixed Table "B"		X		1	
K2-3-7	GP-044991-00	FIXED TABLE "C"		X		1	
K2-3-8	GP-044992-00	Fixed Table "D"		X		1	
K2-3-9	GP-044993-00	Fixed Table "E"		X		1	
K2-3-10	GP-007514-00	Y-Driving Box Cover B		X		1	
K2-3-11	GP-044086-00	CAM ROLLER GUIDE COVER(L)		X		1	
K2-3-12	GP-044087-00	CAM ROLLER GUIDE COVER(R)		X		1	
K2-3-13	05000100UH80	Table Connecting Cover				2	
K2-3-14	10000310A000	Washer T=0.3,0.5,0.8,1.2,1.6				54	
K2-3-15	08101SC-8329 PSC-DC000300	Tapping Screw (M3*L16)	~ 2009.10.28		O	44	
			2009.10.29 ~		O		
K2-3-16	16065PR-UK01	Clamp Plate				6	
K2-3-17	16063PM-UK01	Table Holding Block				12	
K2-3-18	16009SC-8330	Tapping Screw (M6*L20)			O	30	
K2-3-19	16067ET-UK01	Table Toggle Clamp				10	
K2-3-20	19002SC-1330	Tapping Screw (4*L16-No1)			O	40	

K2

Table (UK1506-45)



K3-1

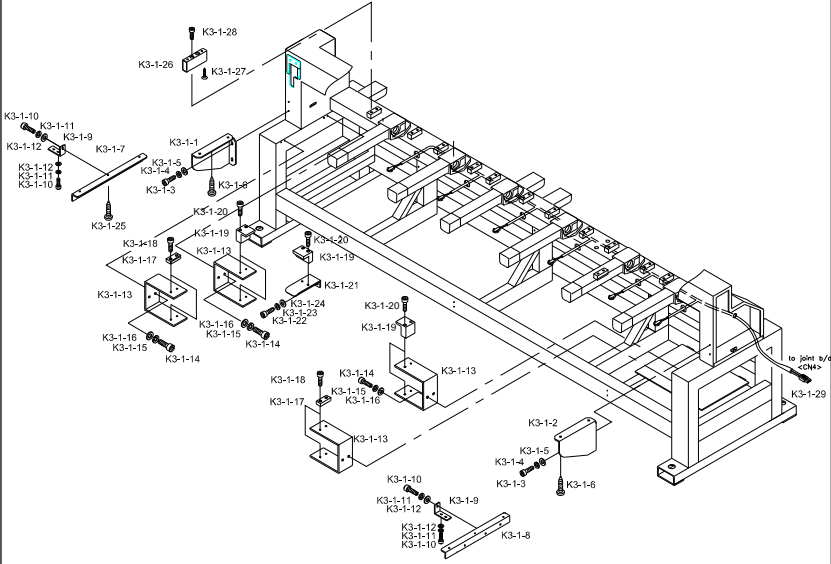


Note

Ref.No	PartNo.	PartName	Application date	Interchangeability	Hardware	Qty	Remarks
K3-1-1	16020PR-UK01	Front Table Support (L)				1	
K3-1-2	16025PR-UK01	Front Table Support (R)				1	
K3-1-3	08076SC-7113	Hex. Socket Bolt (M5*L12)	~ 2011.04.27		O	21	
	PSC-AC018600		2011.04.28 ~				
K3-1-4	18048SW-3115	Spring Washer (@5)	~ 2009.07.28		O	21	
	PWS-CA000800		2009.07.29 ~				
K3-1-5	16018SW-1111	Washer (@5)	~ 2011.04.27		O	25	
	PWS-AA004600		2011.04.28 ~				
K3-1-6	16009SC-8330	Tapping Screw (M6*L20)			O	93	
K3-1-7	16000100U000	TABLE SUPPORT ANGLE (A1)	~ 2009.04.13			1	
	GP-045178-00		2009.04.14 ~				
K3-1-8	16000200U000	TABLE SUPPORT ANGLE (D1)	~ 2009.04.13			1	
	GP-045179-00		2009.04.14 ~				
K3-1-9	05001500UK40	ANGLE SUPPORT				4	
K3-1-10	08076SC-7113	Hex. Socket Bolt (M5*L12)	~ 2011.04.27		O	12	
	PSC-AC018600		2011.04.28 ~				
K3-1-11	18048SW-3115	Spring Washer (@5)	~ 2009.07.28		O	12	
	PWS-CA000800		2009.07.29 ~				
K3-1-12	16018SW-1111	Washer (@5)	~ 2011.04.27		O	12	
	PWS-AA004600		2011.04.28 ~				
K3-1-13	17077PR-UK01	Table Fixing Plate	~ 2009.03.10			4	
	GP-044799-00		2009.03.11 ~				
K3-1-14	08062SC-7113	Hex. Socket Bolt (M5*L20)	~ 2009.06.01		O	8	
	PSC-AC001300		2009.06.02 ~				
K3-1-15	18048SW-3115	Spring Washer (@5)	~ 2009.07.28		O	8	
	PWS-CA000800		2009.07.29 ~				
K3-1-16	16018SW-1111	Washer (@5)	~ 2011.04.27		O	8	
	PWS-AA004600		2011.04.28 ~				
K3-1-17	17085PM-UK01	Positioning Block				4	
K3-1-18	GP-008798-00	Table Support Guide	~ 2010.06.9		X	4	
	GP-008798-01		2010.06.10 ~				
K3-1-19	05008100UK40	Table Fixing Block	~ 2009.05.11			7	
	GP-045797-00		2009.05.12 ~				
K3-1-20	05014SC-7113	Hex. Socket Bolt (M4*L25)	~ 2009.07.28		O	14	
	PSC-AC004400		2009.07.29 ~				
K3-1-21	17073PR-UK01	Table Support Angle "F"				3	
K3-1-22	16009SC-8330	Tapping Screw (M6*L20)			O	4	
K3-1-23	14002SC-7113	Hex.Socket Bolt (M6*L15)	~ 2009.08.27		O	4	
	PSC-AC005800		2009.08.28 ~				

K3

K3-1

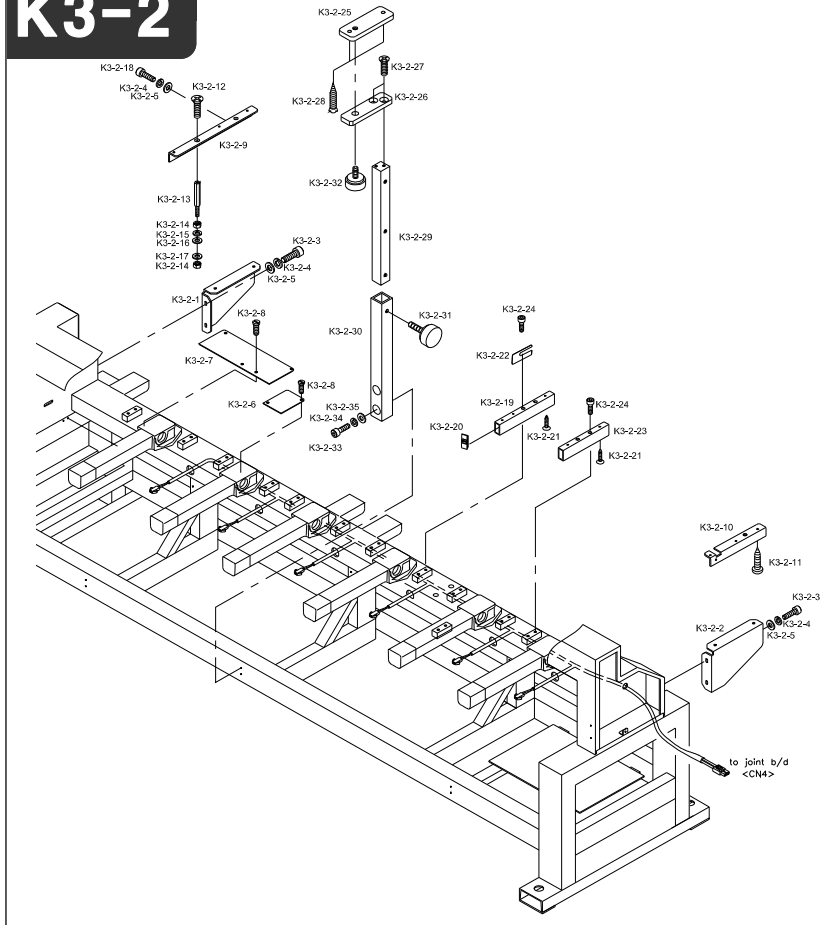


Note

Ref.No	PartNo.	PartName	Application date	Interchangeability	Hardware	Qty	Remarks
K3-1-24	GP-008797-00	Table Support Angle (C)L197.5	~ 2006.08.10	X		4	
	GP-008797-01		2006.08.11 ~ 2011.12.22	△			
	GP-008797-02		2011.12.23 ~				
K3-1-25	16009SC-8330	Tapping Screw (M6*L20)			O	6	
K3-1-26	GP-008127-00	Table Support Angle (B) L140		X		1	
	GP-008127-01			△			
K3-1-27	16009SC-8330	Tapping Screw (M6*L20)			O	4	
K3-1-28	14002SC-7113	Hex.Socket Bolt (M6*L15)	~ 2009.08.27		O	4	
	PSC-AC005800		2009.08.28 ~				
K3-1-29	02102100UH60	Cable (25-21)				1	



K3-2

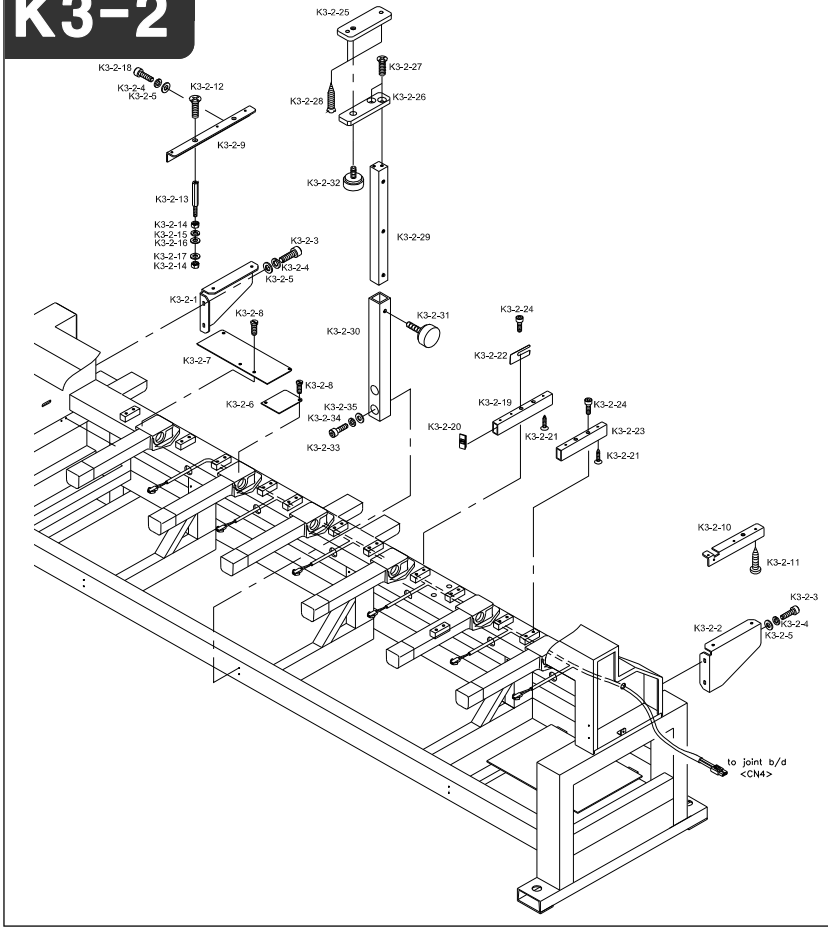


Note

Ref.No	PartNo.	PartName	Application date	Interchangeability	Hardware	Qty	Remarks
K3-2-1	16020PR-UK01	Front Table Support (L)				1	
K3-2-2	16025PR-UK01	Front Table Support (R)				1	
K3-2-3	08076SC-7113	Hex. Socket Bolt (M5*L12)	~ 2011.04.27		O	21	
	PSC-AC018600		2011.04.28 ~				
K3-2-4	18048SW-3115	Spring Washer (@5)	~ 2009.07.28		O	21	
	PWS-CA000800		2009.07.29 ~				
K3-2-5	16018SW-1111	Washer (@5)	~ 2011.04.27		O	25	
	PWS-AA004600		2011.04.28 ~				
K3-2-6	16016PR-UK01	Gear Cover				2	
K3-2-7	16018PR-UK01	Mes Cam Driving Box Cover				1	
K3-2-8	02030SC-T121	Bed Cover Screw(9/64" 40)	~ 2011.04.27			10	
	DSC-BF019800		2011.04.28 ~				
K3-2-9	05000920UH01	TABLE SUPPORT ANGLE (A)L250				1	
K3-2-10	05001120UH01	TABLE SUPPORT ANGLE (D)L250	~ 2009.04.12			1	
	GP-045185-00		2009.04.13 ~				
K3-2-11	16009SC-8330	Tapping Screw (M6*L20)			O	6	
K3-2-12	04054SC-8119	Plus Screw(M6*L15)			O	1	
K3-2-13	05001600U000	Table Support Stud				4	
K3-2-14	04032SN-A001	Hex. Nut (M8-No2)	~ 2011.02.24		O	4	
	DSN-AA005500		2011.02.25 ~				
K3-2-15	15095SW-3115	Spring Washer (@8)	~ 2010.05.27		O	2	
	PWS-CA002000		2010.05.28 ~				
K3-2-16	04029SW-A001	Stud Bolt Washer(S) (@8)	~ 2009.10.28		O	2	
	DWS-AA009900		2009.10.29 ~				
K3-2-17	04030SW-A001	Stud Bolt Washer(L) (@8)	~ 2011.04.27		O	2	
	DWS-AA022700		2011.04.28 ~				
K3-2-18	08062SC-7113	Hex. Socket Bolt (M5*L20)	~ 2009.06.01		O	6	
	PSC-AC001300		2009.06.02 ~				
K3-2-19	GP-008797-00	Table Support Angle (C)L197.5	~ 2006.08.10	X		8	
	GP-008797-01		2006.08.11 ~ 2011.12.22	△			
	GP-008797-02		2011.12.23 ~				
K3-2-20	GP-003757-00	TABLE SUPPORT END CAP	~ 2006.09.28	X		20	
	GP-011803-00		2006.09.29 ~				
K3-2-21	16009SC-8330	Tapping Screw (M6*L20)			O	18	
K3-2-22	05001700U000	Table Support Plate	~ 2006.08.22			46	
	16010PR-A001		2006.08.23 ~				
K3-2-23	05001100UK40	Table Support Angle (B) L160				1	
K3-2-24	14002SC-7113	Hex.Socket Bolt (M6*L15)	~ 2009.08.27		O	18	
	PSC-AC005800		2009.08.28 ~				

K3

K3-2

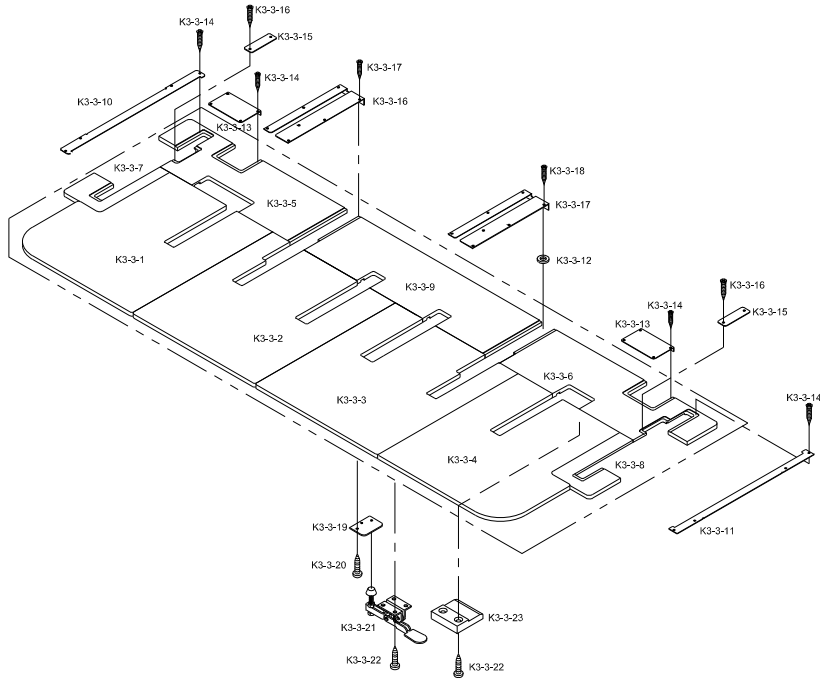


Note

Ref.No	PartNo.	PartName	Application date	Interchangeability	Hardware	Qty	Remarks
K3-2-25	16061PR-UK01	Table Support Plate (A)	~ 2010.06.09			4	
	GP-048520-00		2010.06.10 ~				
K3-2-26	16058AD-UK01	Table Support Plate (B)				4	
K3-2-27	08101SC-8329	Tapping Screw (M3*L16)	~ 2009.10.28		O	20	
	PSC-DC000300		2009.10.29 ~		O		
K3-2-28	15089SC-7119	C.S Screw (M4*L12)	~ 2011.04.27			8	
	PSC-BB003000		2011.04.28 ~				
K3-2-29	05001300U000	Table Support L=263				4	
K3-2-30	GP-030271-00	Table Support Guide				4	
K3-2-31	17062SC-UK01	Table Support Stopper Screw				2	
K3-2-32	17063SC-UK01	Table Support Stopper Screw				2	
K3-2-33	02015SC-7113	Hex.Socket Bolt(M4*L10)	~ 2009.09.28		O	24	
	PSC-AC007100		2009.09.29 ~		O		
K3-2-34	02028SW-9115	Spring Washer (@4)	~ 2009.07.28		O	8	
	PWS-CA000700		2009.07.29 ~		O		
K3-2-35	05009SW-1111	Washer (@4-L)	~ 2011.02.24			8	
	PWS-AA004400		2011.02.25 ~				

K3

K3-3

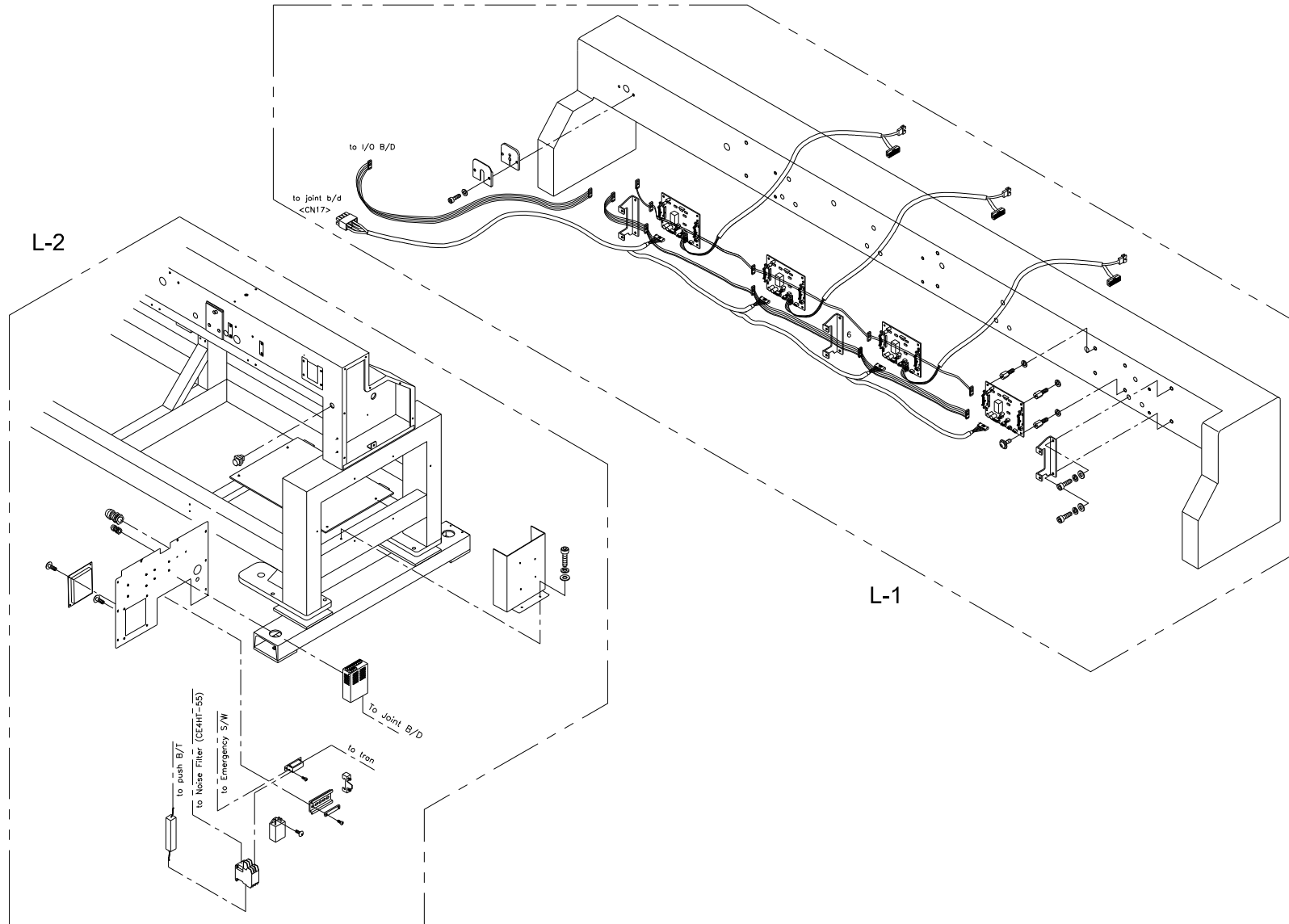


Note

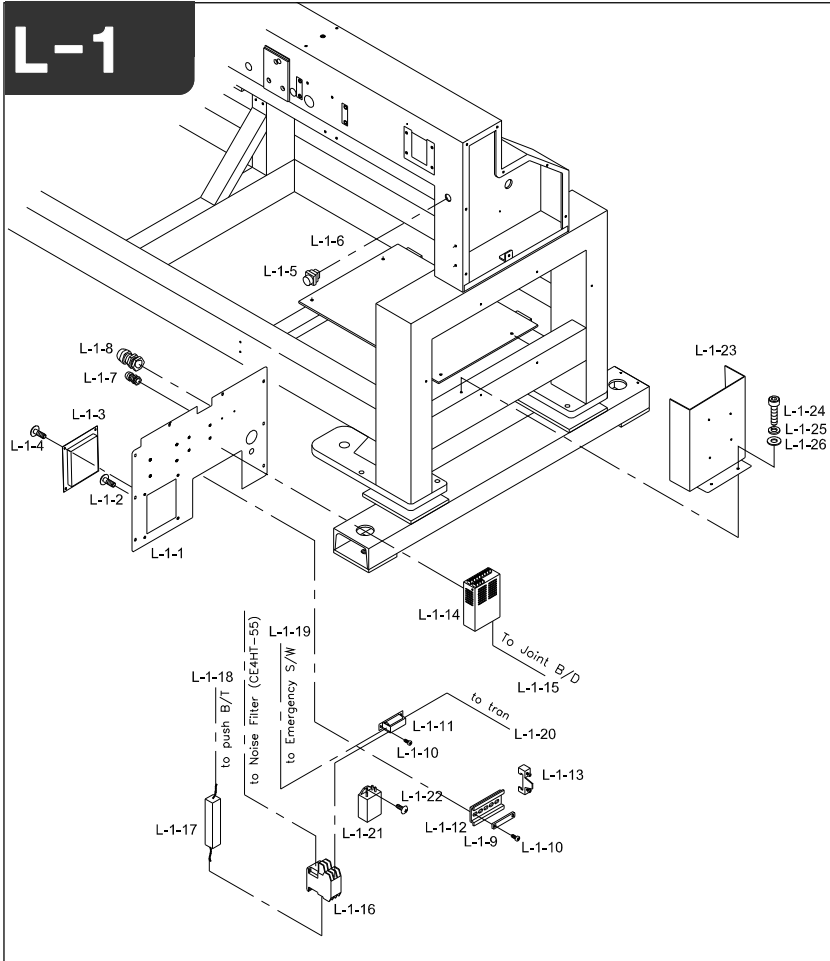
Ref.No	PartNo.	PartName	Application date	Interchangeability	Hardware	Qty	Remarks
K3-3-1	08000110UH61	Table "A"				1	
K3-3-2	GP-008121-00	Table "B"	~ 2005.08.30	X		1	
	GP-008121-01		2005.09.01 ~	△			
K3-3-3	GP-008122-00	Table "C"	~ 2005.08.30	X		1	
	GP-008122-01		2005.09.01 ~	△			
K3-3-4	08000410UH61	Table "D"				1	
K3-3-5	GP-008119-00	Fixed Table "A"		X		1	
K3-3-6	05000210UH61	Fixed Table "B"				1	
K3-3-7	GP-044084-00	Fixed Table "C"		X		1	
K3-3-8	GP-044085-00	Fixed Table "D"	~ 2009.04.05	X		1	
	GP-044085-01		2009.04.06 ~	△			
K3-3-9	GP-044083-00	Fixed Table	~ 2008.11.07	X		1	
	GP-044083-01		2008.11.27 ~ 2009.01.04	△			
	GP-044083-02		2009.01.05 ~	△			
K3-3-10	GP-044086-00	Lm Guide Cover (L) L=693		X		1	
K3-3-11	GP-044087-00	Lm Guide Cover (R) L=693		X		1	
K3-3-12	10000310A000	Washer T=0.3,0.5,0.8,1.2,1.6				54	
K3-3-13	GP-007514-00	Y-Driving Box Cover B		X		1	
K3-3-14	08101SC-8329	Tapping Screw (M3*L16)	~ 2009.10.28		O	30	
	PSC-DC000300		2009.10.29 ~		O		
K3-3-15	05001400UH00	Belt Cover				2	
K3-3-16	08101SC-8329	Tapping Screw (M3*L16)	~ 2009.10.28		O	4	
	PSC-DC000300		2009.10.29 ~		O		
K3-3-17	GP-008128-00	Rail Guide Table Cover L352		X		2	
K3-3-18	02030SC-T121	Bed Cover Screw(9/64" 40)	~ 2011.04.27			10	
	DSC-BF019800		2011.04.28 ~				
K3-3-19	16065PR-UK01	Clamp Plate				6	
K3-3-20	16009SC-8330	Tapping Screw (M6*L20)			O	30	
K3-3-21	16067ET-UK01	Table Toggle Clamp				10	
K3-3-22	19002SC-1330	Tapping Screw (4*L16-No1)			O	40	
K3-3-23	16063PM-UK01	Table Holding Block				10	

K3

Cable



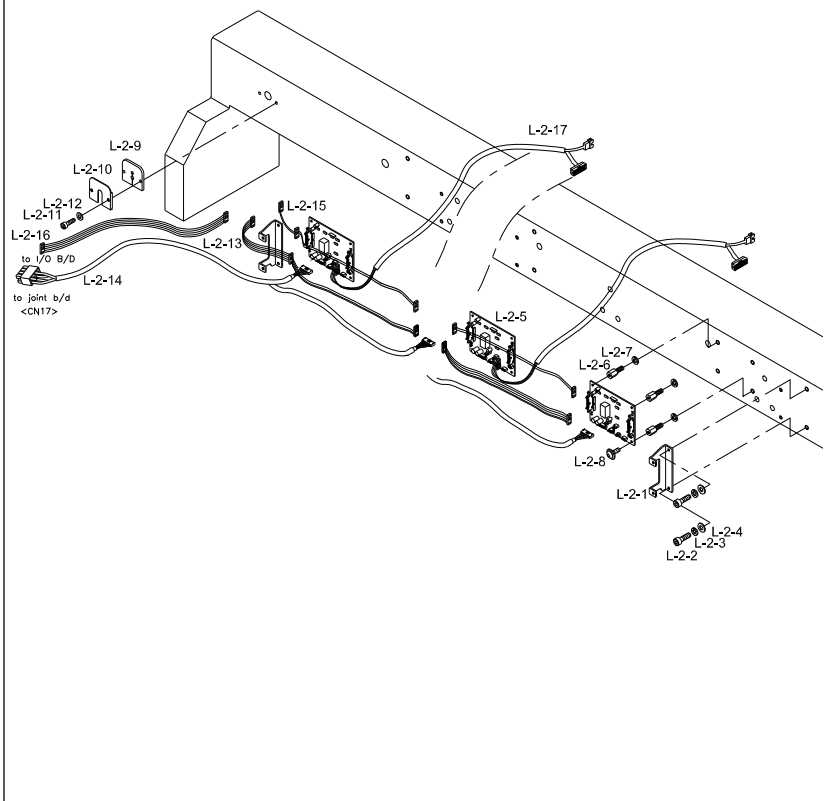
L-1



Note

Ref.No	PartNo.	PartName	Application date	Interchangeability	Hardware	Qty	Remarks
L-1-1	GP-044081-00	Body Inside Cover (B)	~ 2008.11.26	X		1	
	GP-044081-01		208.11.27 ~ 2012.05.20	△			
	GP-044081-02		2012.05.21 ~	△			
L-1-2	02044SC-3123	Truss Screw (M5*L8)	~ 2009.07.28		O	8	
	PSC-BH000200		2009.07.29 ~		O		
L-1-3	02088PR-UK01	Power Switch Cover				4	
L-1-4	02010SC-3123	Truss Screw (M4*L8)	~ 2010.05.27		O	4	
	PSC-BH001100		2010.05.28 ~		O		
L-1-5	02000700T000	Push B/T Switch				1	
L-1-6	02105700U020	I/O Switch Connect Cable				1	
L-1-7	02000400T000	Cable Grand (Dacl-11)				1	
L-1-8	02000600T000	Cable Grand (Dapg-36)				1	
L-1-9	GP-015851-00	Magnetic Switch Bracket Fixing Plate		X		1	
L-1-10	02010SC-3123	Truss Screw (M4*L8)	~ 2010.05.27		O	8	
	PSC-BH001100		2010.05.28 ~		O		
L-1-11	05000210T000	Transformer (Emt25V) 1A/25.5V				1	
L-1-12	02000910T000	Magnetic S/W Fixed Bracket				1	
L-1-13	02001300T000	Bracket Stopper (Ce)				2	
L-1-14	02001500U000	Jump Smps (Mrk0R4-H)				1	
L-1-15	02106300U000	Sh-63				1	
L-1-16	02000100T000	Magnetic Switch Set	~ 2011.11.00			1	
	EP-000542-00		2011.11.01 ~				
L-1-17	02001200T000	Resister 5/20W (Ce)				1	
L-1-18	02105600U040	I/O S/W - Magnetic Contactor				1	
L-1-19	2.11E+46	Emt24 Trans Output - Emergen				1	
L-1-20	2.11E+46	Magnetic - Emt24 Trans				1	
L-1-21	GP-007476-00	Noise Filter	~ 2014.01.09	X		1	
	GP-057934-00		2014.01.10 ~				
L-1-22	20042SC-9134	PLUS SCREW (M4*L6)				2	
L-1-23	07000100U000	Main Switch Box	~ 2014.01.09			1	
	GP-057796-00		2014.01.10 ~				
L-1-24	02015SC-7113	Hex.Socket Bolt (M4*L10)	~ 2009.09.28		O	2	
	PSC-AC007100		2009.09.29 ~		O		
L-1-25	02028SW-9115	Spring Washer (@4)	~ 2009.07.28		O	2	
	PWS-CA000700		2009.07.29 ~		O		
L-1-26	05009SW-1111	Washer (@4-L)	~ 2011.02.24		O	2	
	PWS-AA004400		2011.02.25 ~		O		

L-2

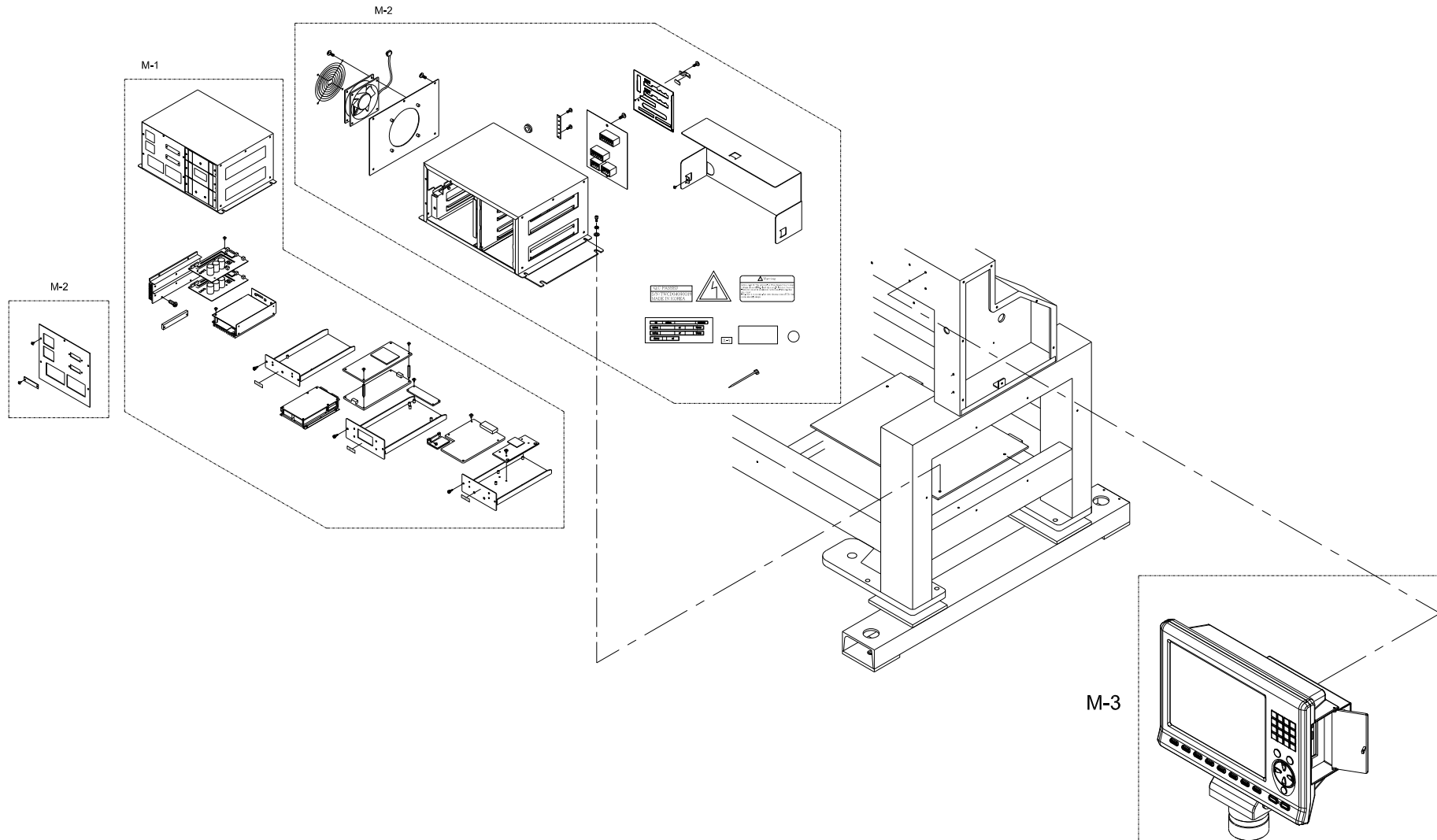


Note

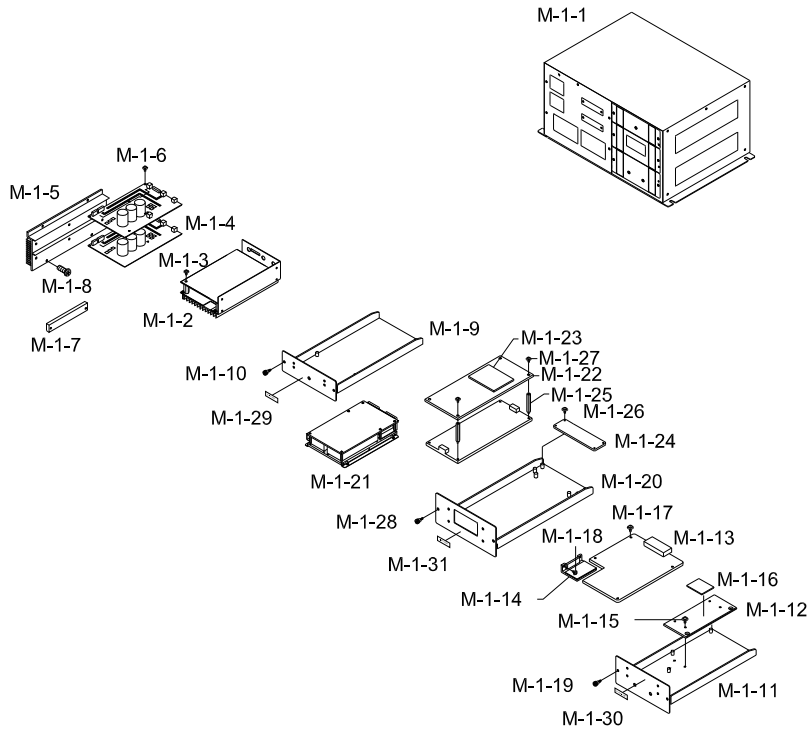
Ref.No	PartNo.	PartName	Application date	Interchangeability	Hardware	Qty	Remarks
L-2-1	02000400B000	CABLE COVER HOLDER	~ 2006.06.25			3	
	11614100B000		2006.06.26 ~ 2008.07.08				
	GP-038309-00		2008.07.09 ~				
L-2-2	08076SC-7113	Hex. Socket Bolt (M5*L12)	~ 2011.04.27		O	6	
	PSC-AC018600		2011.04.28 ~		O		
L-2-3	18048SW-3115	Spring Washer (@5)	~ 2009.07.28		O	6	
	PWS-CA000800		2009.07.29 ~		O		
L-2-4	16018SW-1111	Washer (@5)	~ 2011.04.27		O	6	
	PWS-AA004600		2011.04.28 ~		O		
L-2-5	11093EL-C001	Thread Sensing Board	~ 2012.05.08			4	
	BD-000222-17		2012.05.09 ~				
L-2-6	11049SC-A001	Board Stud Bolt				16	
L-2-7	18048SW-3115	Spring Washer (@5)	~ 2009.07.28		O	16	
	PWS-CA000800		2009.07.29 ~		O		
L-2-8	18154SC-9134	PLUS SCREW (M3*L8)			O	16	
L-2-9	02054RB-UK01	Clamp Rubber				1	
L-2-10	02053PR-UK01	Cable Clamp				1	
L-2-11	18013AF-7113	Hex. Socket Bolt (M4*L10)			O	3	
L-2-12	18049SW-3111	Washer (@5)	~ 2009.07.28		O	2	
	PWS-AA001500		2009.07.29 ~		O		
L-2-13	02105700U040	Cable (Sh-57-2)				1	
L-2-14	02105610U040	Sh-56-2				1	
L-2-15	02106000U040	Cable (Sh-60-2)				1	
L-2-16	02105900U000	Sh-59				1	
L-2-17	25022EL-UK01	To Adjusting Plate (4Ht-22)				1	



CON Box & OP Box



M-1

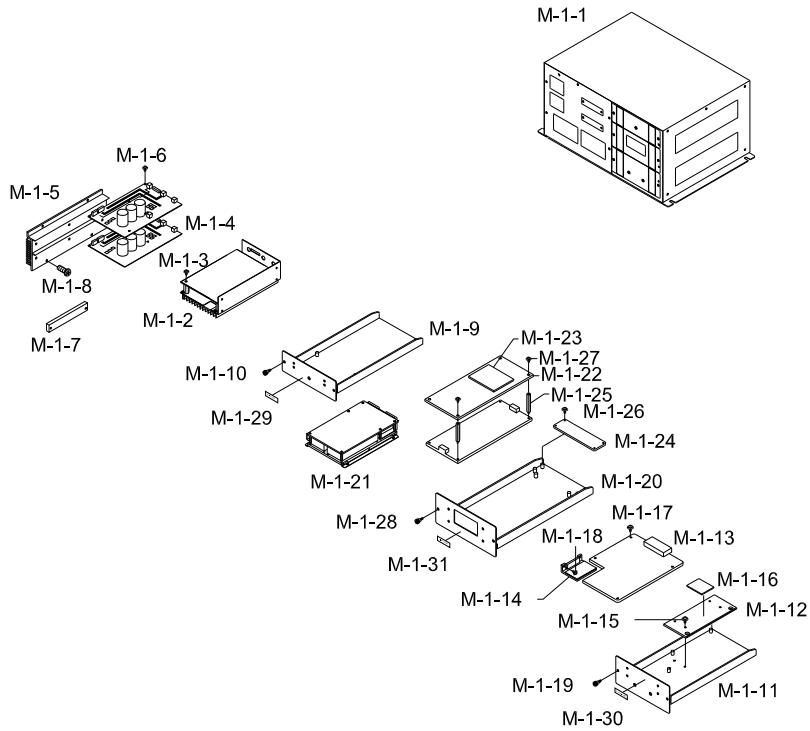


Note

Ref.No	PartNo.	PartName	Application date	Interchangeability	Hardware	Qty	Remarks
M-1-1	PWS-AA004600		2011.04.28 ~			1	
	SWF-00000732	Control Box Assy(220V/3.5A)					
M-1-2	BD-000311-00	Main Drive (ASSY)(220V)// BD-000312-00(110V)	~ 2006.02.23	X		1	
	BD-000311-01		2006.02.24 ~ 2006.05.08	△			
	BD-000311-02		2006.05.09 ~ 2006.11.29	△			
	BD-000311-03		2006.11.30 ~ 2006.12.19	△			
	BD-000311-04		2006.12.20 ~ 2007.08.19	△			
	BD-000311-05		2007.08.20 ~ 2008.03.10	△			
	BD-000311-06		2008.03.11 ~ 2010.04.13	△			
	BD-000311-07		2010.04.14 ~ 2011.04.19	△			
	BD-000311-08		2011.04.20 ~ 2011.11.15	△			
	BD-000311-09		2011.11.16 ~ 2011.11.30	△			
	BD-000311-10		2011.12.01 ~ 2012.05.20	△			
	BD-000311-11		2012.05.21 ~ 212.05.23				
	BD-000311-12		2012.05.24 ~ 2012.06.28				
	BD-000311-13		2012.06.29 ~ 2013.08.25				
	BD-000311-14		2013.08.26 ~ 2015.08.30				
	BD-000311-15		2015.08.31 ~ 2015.12.20				
	BD-000311-16		2015.12.21 ~ 2017.12.13				
BD-000311-17	2017.12.14 ~						
M-1-3	07-004S-SM5S	Main Drive Assy Screw (set) (M4xL10)			O	2	
M-1-4	BD-000044-00	X-Y Driver Board(220V)// BD-000146-00(110V)	~ 2006.07.24	X		2	
	BD-000044-01		2006.07.25 ~ 2006.08.30	△			
	BD-000044-02		2006.08.31 ~ 2007.03.14	△			
	BD-000044-03		2007.03.15 ~ 2009.06.017	△			
	BD-000044-04		2009.06.18 ~ 2009.11.08	△			
	BD-000044-05		2009.11.09 ~ 2010.05.16				
	BD-000044-06		2010.05.17 ~ 2010.12.20				
	BD-000044-07		2010.12.21 ~ 2011.06.08				
	BD-000044-08		2011.06.09 ~ 2012.05.22				
	BD-000044-09		2012.05.23 ~ 2012.09.10				
	BD-000044-10		2012.09.11 ~ 2012.09.25				
	BD-000044-11		2012.09.26 ~ 2012.11.18				
	BD-000044-12		2012.11.19 ~ 2012.12.02				
	BD-000044-13		2012.12.03 ~ 2016.09.05				
	BD-000044-14		2016.09.06 ~ 2016.12.27				
	BD-000044-15		2016.12.28 ~ 2017.07.24				
BD-000044-16	2017.07.25 ~						
M-1-5	GP-015921-00	Driver Radiator		X		1	



M-1

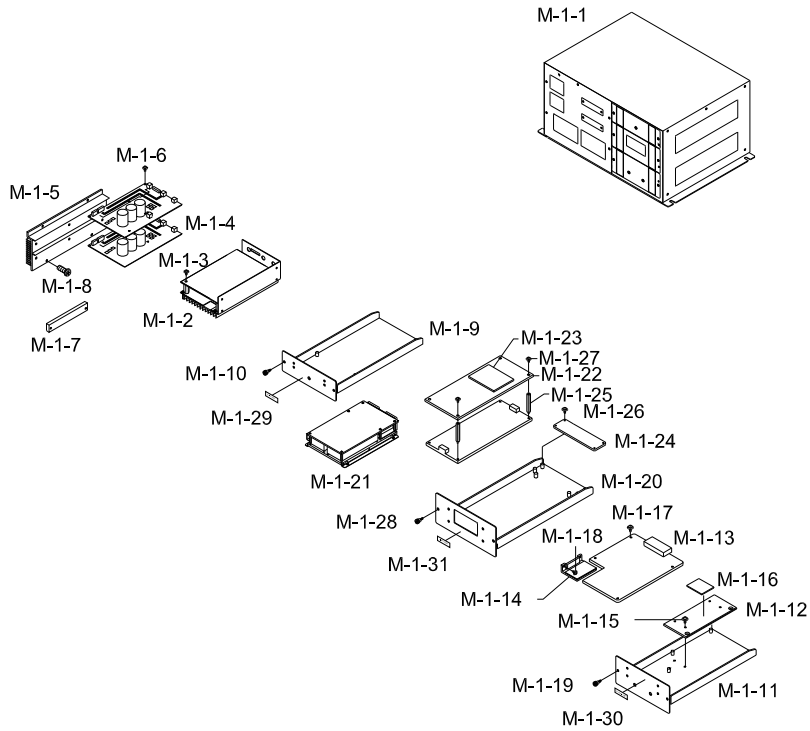


Note

Ref.No	PartNo.	PartName	Application date	Interchangeability	Hardware	Qty	Remarks
M-1-6	05008AF-4113	X-Y Driver Board Screw (set) (M4xL16)			O	6	
M-1-7	05-002S-SW70	PCB Guide (TRCG-3300)				4	
M-1-8	07-004S-SM5S	Driver Radiator Screw(set) (M4xL10)			O	4	
M-1-9	GP-016008-00	IO MC Bracket	~ 2006.06.18	X		1	
	GP-016008-01		2006.06.19 ~ 2009.07.08	△			
	GP-016008-02		2009.07.09 ~ 2010.04.22				
	GP-016008-03		2010.04.23 ~				
M-1-10	SC-000406-00	IO MC Bracket Screw		X		2	
M-1-11	GP-016007-00	DDC Bracket	~ 2006.06.18	X		1	
	GP-016007-01		2006.06.19 ~ 2009.07.08	△			
M-1-12	GP-017703-00	DDC Radiator	~ 2006.06.18	X		1	
	GP-017703-01		2006.06.19 ~	△			
M-1-13	BD-000803-00	DDC Board	~ 2010.04.13	X		1	
	BD-000803-01		2010.04.14 ~ 2010.08.18	△			
	BD-000803-02		2010.08.19 ~ 2011.07.14	△			
	BD-000803-03		2011.07.15 ~ 2012.03.14	△			
	BD-000803-04		2012.03.15 ~ 2012.11.12				
	BD-000803-05		2012.11.13 ~				
M-1-14	EP-000149-00	Wiper Motor Driver		X		1	
M-1-15	10-028S-SC53	DDC Radiator Screw (set)	~ 2012.08.05		O	4	
	PSC-AZ000400		2012.08.06 ~		O		
M-1-16	GP-015654.00	DDC Radiator Sheet		X		1	
M-1-17	10-028S-SC53	DDC Board Screw (set)	~ 2012.08.05		O	4	
	PSC-AZ000400		2012.08.06 ~		O		
M-1-18	10-028S-SC53	Wiper Motor Drive Screw(set) (M3xL7)	~ 2012.08.05		O	2	
	PSC-AZ000400		2012.08.06 ~		O		
M-1-19	SC-000406-00	DDC Bracket Screw		X		2	
M-1-20	GP-016009-00	SMPS Bracket		X		1	
M-1-21	EP-000029-00	SMPS		X		1	
M-1-22	GP-015653,00	SMPS Radiator		X		1	
M-1-23	GP-012118,00	SMPS Radiator Sheet		X		1	
M-1-24	BD-000392-00	UNIT Board		X		1	
	BD-000392-01			△			
	BD-000392-02			△			
	BD-000392-03			△			
M-1-25	GP-010543,00	SMPS Fixing Stud (3-5-45)		c		4	
	GP-010543,01			△			

M

M-1

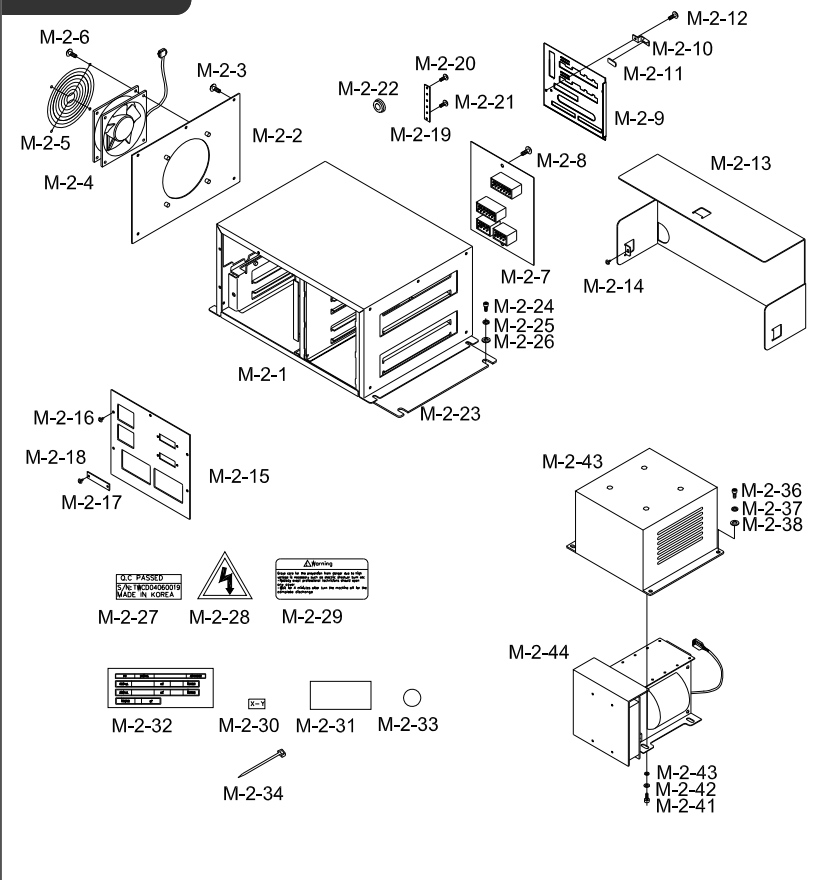


Note

Ref.No	PartNo.	PartName	Application date	Interchangeability	Hardware	Qty	Remarks
M-1-26	10-028S-SC53	UNIT Board Screw(set) (M3xL7)	~ 2012.08.05		O	4	
	PSC-AZ000400		2012.08.06 ~		O		
M-1-27	07-005S-SM5S	SMPS Radiator Screw(set)				4	
M-1-28	SC-000406-00	SMPS Bracket Screw(캠티브)		X		2	
M-1-29	GP-014549,00	IO MC Sticker		X		1	
M-1-30	GP-014548,00	DDC Sticker		X		1	
M-1-31	GP-014550,00	SMPS Sticker		X		1	

M

M-2

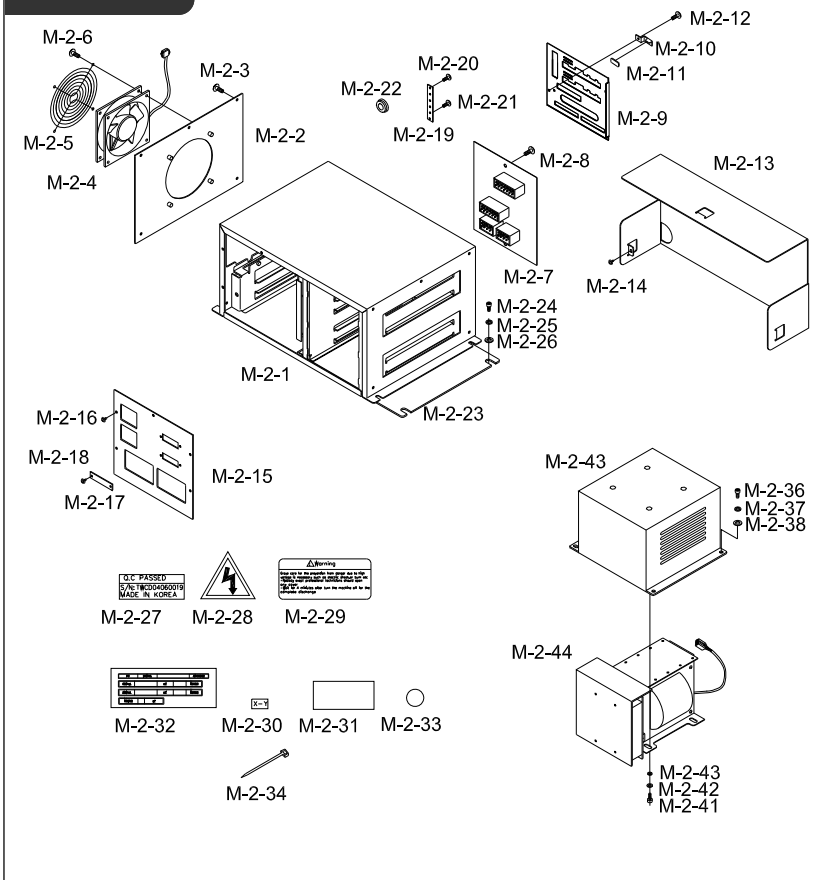


Note

Ref.No	PartNo.	PartName	Application date	Interchangeability	Hardware	Qty	Remarks
M-2-1	GP-016016-00	Control Box	~ 2006.08.30	X		1	
	GP-016016-01		2006.09.01 ~ 2007.02.01	△			
	GP-016016-02		2007.02.02 ~ 2007.05.10	△			
	GP-016016-03		2007.05.11 ~ 2007.07.08	△			
	GP-016016-04		2009.07.09 ~	△			
M-2-2	GP-016015-00	Side Cover		X		1	
M-2-3	10-003M-PT01	Side Cover Screw (M4xL8)	~ 2009.07.28		O	5	
	PSC-BH000300		2009.07.29 ~		O		
M-2-4	01-002A-AT01	COOLING FAN				1	
M-2-5	01-002B-AU12	FAN Cover				1	
M-2-6	01-002M-AU12	FAN Screw (M4xL35)	~ 2009.06.01		O	4	
	PSC-BA000200		2009.06.02 ~		O		
M-2-7	BD-000389-00	Back plane Board	~ 2006.07.11	X		1	
	BD-000389-01		2006.07.12 ~ 2008.09.17	△			
	BD-000389-02		2008.09.18 ~ 2008.11.30	△			
	BD-000389-03		2008.12.01 ~	△			
M-2-8	07-004S-SM5S	Back plane Board Screw (Set) (M4xL10)			O	1	
M-2-9	GP-016012-00	Connector PCB Cover	~ 2006.06.18	X		1	
	GP-016012-01		2006.06.19 ~ 2006.07.13	△			
	GP-016012-02		2006.07.14 ~ 2006.07.20	△			
	GP-016012-03		2006.07.21 ~	△			
M-2-10	GP-029667-00	Encoder Fixed Bracket		X		1	
M-2-11	GP-030369-00	Sponge		X		1	
M-2-12	07-004S-SM5S	Connector PCB Cover Screw (set)				4	
M-2-13	GP-016014,00	Harness Cover		X		1	
M-2-14	07-004S-SM5S	Harness Cover Screw (set)				3	
M-2-15	GP-016011-00	Front Cover (L)		X		1	
M-2-16	10-003M-PT01	Front Cover(L) Screw (M4xL8)	~ 2009.07.28		O	5	
	PSC-BH000300		2009.07.29 ~		O		
M-2-17	02-001B-SW67	Switch Cover				2	
M-2-18	13054SC-3123	Switch Cover Screw (set) (M3xL8)	~ 2011.03.28		O	4	
	PSC-BH002200		2011.03.29 ~		O		
M-2-19	10-005A-DU33	Earth Plate				1	
M-2-20	07-004S-SM5S	Earth Plate Screw (set) (M4xL10)			O	2	
M-2-21	01-037S-2070	Earth Screw (M4xL8)			O	4	
M-2-22	09-025R-SC53	Rubber Din Cap				1	
M-2-23	GP-017171,00	Rubber		X		2	
M-2-24	18047SC-7113	Control Box Screw (M5xL15)	~ 2009.07.28		O	8	
	PSC-AC003900		2009.07.29 ~		O		



M-2

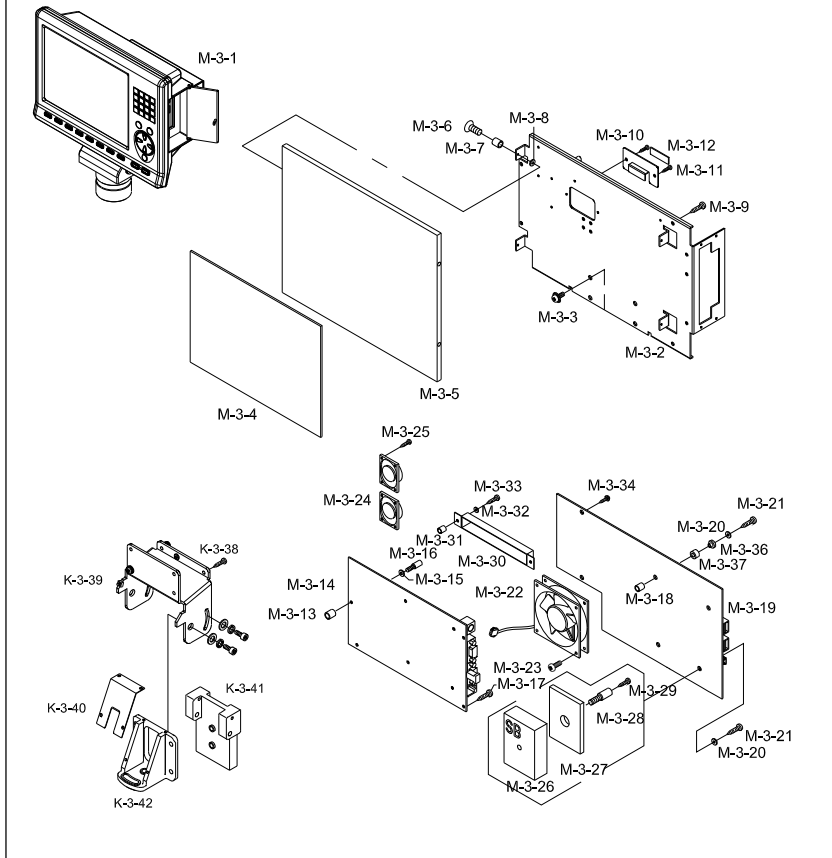


Note

Ref.No	PartNo.	PartName	Application date	Interchangeability	Hardware	Qty	Remarks
M-2-25	16019SW-4115	Control Box Spring Washer				8	
M-2-26	16018SW-1111	Control Box Washer	~ 2011.04.27			8	
	PWS-AA004600		2011.04.28 ~				
M-2-27	09-023C-SC53	QC Passed Sticker				1	
M-2-28	04-003S-AU10	Warning Sticker				1	
M-2-29	04-004S-AU10	Warning Sticker				1	
M-2-30	04-001S-AU10	X.Y Sticker				2	
M-2-31	04-002S-AU10	Current Setting Sticker				1	
M-2-32	GP-017710-00	Signal Sticker		X		1	
M-2-33	09-012S-CE53	Earth Sticker				1	
M-2-34	15-025M-1000	Cable tie				10	
	18047SC-7113		~ 2009.07.28			4	
M-2-36	PSC-AC003900	Control Box Screw	2009.07.29 ~				
	16019SW-4115		Control Box Spring Washer			4	
M-2-38	16018SW-1111	Control Box Washer	~ 2011.04.27			4	
	PWS-AA004600		2011.04.28 ~				
M-2-41	08076SC-7113	Hex. Socket Bolt (M5*L12)	~ 2011.04.27		O	4	
	PSC-AC018600		2011.04.28 ~		O		
M-2-41	18048SW-3115	Spring Washer (5@)	~ 2009.07.28		O	4	
	PWS-CA000800		2009.07.29 ~		O		
M-2-42	18049SW-3111	Washer (@5)	~ 2009.07.28		O	4	
	PWS-AA001500		2009.07.29 ~		O		
M-2-43	GP-051625-00	Transformer Box		X		1	
M-2-44	EA-000912-00	Transformer [1PHASE,2KVA]	~ 2012.09.06	X		1	
	EP-000571-01		2012.09.07 ~				



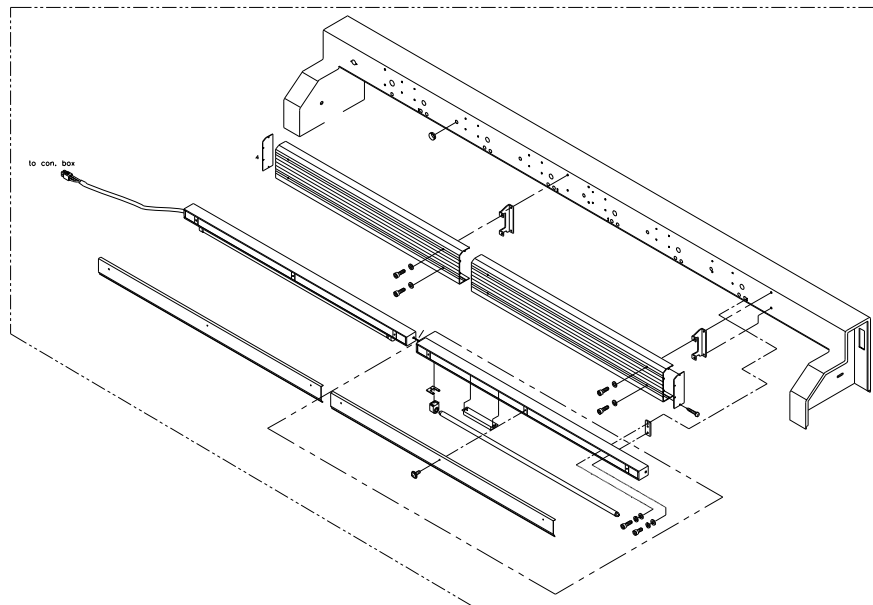
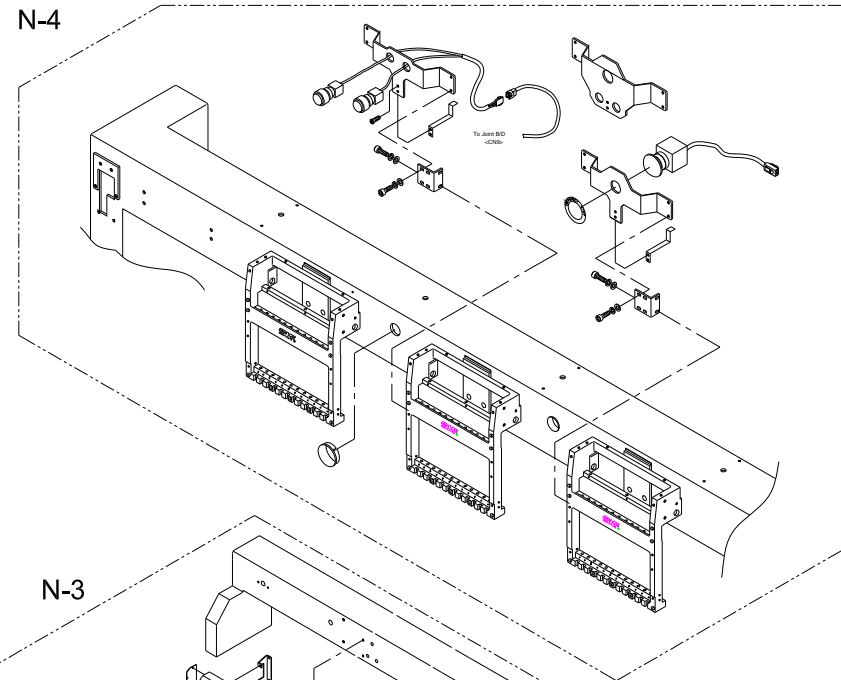
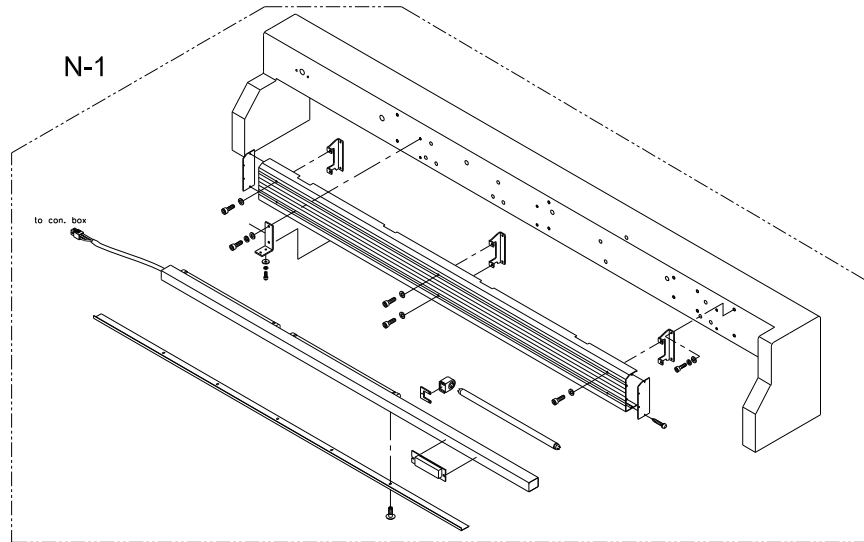
M-3



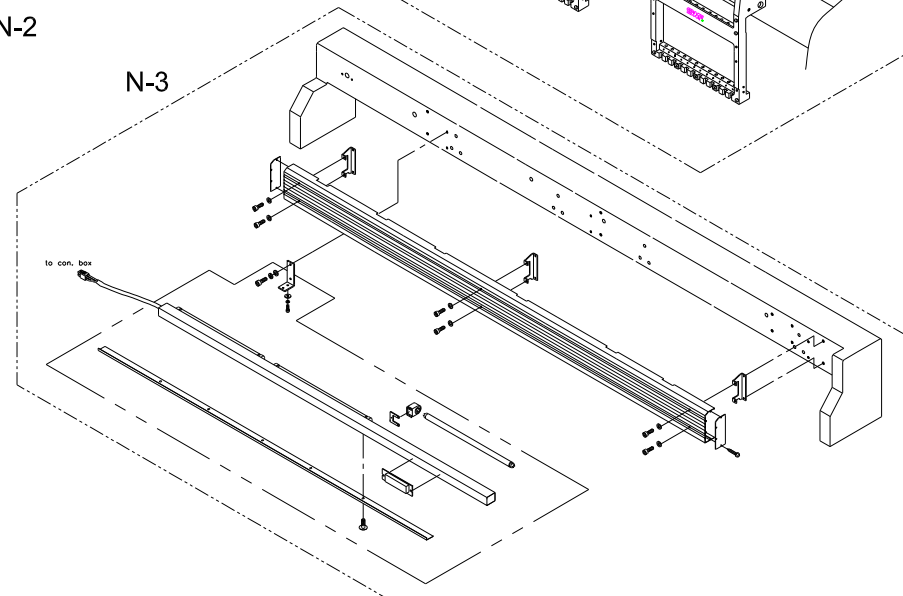
Note

Ref.No	PartNo.	PartName	Application date	Interchangeability	Hardware	Qty	Remarks
M-3-1	SWF-00000734	Operation Box Ass'y		X		1	
M-3-2	GP-014345-03	Base Plate				1	
	07-004S-SM5S	Screw for Fixing Bracket for				4	
M-3-4	GP-014350-03	LCD Cover				1	
M-3-5	20-006A-SW70	LCD				1	
M-3-6	SC-000629-00	Screw for LCD (M2×L8)				4	
M-3-7	GP-019021-00	Insulation Bush(A)				4	
	GP-019022-00	Insulation Bush(B)				4	
M-3-9	SC-000460-00	Screw for Base Plate				4	
M-3-10	01-002B-OT10	Pressing Plate for LCD				1	
M-3-11	20-002B-SW70	Connecting Pressing Plate				2	
M-3-12	10-028S-SC53	Screw for Pressing Plate	~ 2012.08.05			2	
	PSC-AZ000400		2012.08.06 ~				
M-3-13	GP-014361-00	Insulation Bush(A)				6	
M-3-14	BD-000806-04	CPU Board				1	
M-3-15	GP-014362-00	Insulation Bush(B)				6	
M-3-16	GP-014341-03	CPU Board Fixing Stud				4	
M-3-17	07-005S-SM5S	CPU Board Screw (SET)				2	
M-3-18	GP-014361-00	Insulation Bush(A)				6	
M-3-19	BD-000364-22	IO Board				1	
M-3-20	GP-014362-00	Insulation Bush(B) (Polyacetal)				13	
M-3-21	07-005S-SM5S	IO Board Fixing Screw (SET)				4	
M-3-22	EP-000030-00	FAN				1	
M-3-23	SC-000392-00	FAN Fixing Screw				3	
M-3-23	GP-043287-00	Speaker				2	
	10-028S-SC53	Speaker Fixing Screw	~ 2012.08.05			4	
PSC-AZ000400	2012.08.06 ~						
M-3-26	GP-017235-00	SB DDC Radiator				1	
M-3-27	EP-000548-00	SB DDC Radiator Sheet				1	
M-3-28	GP-010656-00	Fixing Stud for SB DDC Radiator				1	
M-3-29	10-028S-SC53	Fixing Screw for SB DDC Radiator(SET)	~ 2012.08.05			1	
	PSC-AZ000400		2012.08.06 ~				
M-3-30	BD-000916-00	Inverter				1	
M-3-31	10-001C-AT10	Insulation Bush(A)				2	
M-3-32	01-102B-OT10	Insulation Bush(B)				2	
M-3-33	10-028S-SC53	Inverter Fixing Plate	~ 2012.08.05			2	
	PSC-AZ000400		2012.08.06 ~				
M-3-34	10-002S-SW66	IO Board (SET)				2	
M-3-36	01-102B-OT10	Insulation Bush(B) (Male)				2	
M-3-37	10-001C-AT10	Insulation Bush(C)				2	
M-3-38	10-003M-PT01	Fixing Screw (M4xL8)	~ 2009.07.28			2	
	PSC-BH000300		2009.07.29 ~				
M-3-39	GP-014343-00	Fixing Bracket for OP				1	
M-3-40	GP-024895-00	Operation Box Holder Cover				1	
M-3-41	GP-024895-00	Operation Box Holder Cover				1	
M-3-42	GP-024894-00	Hinge Block				1	

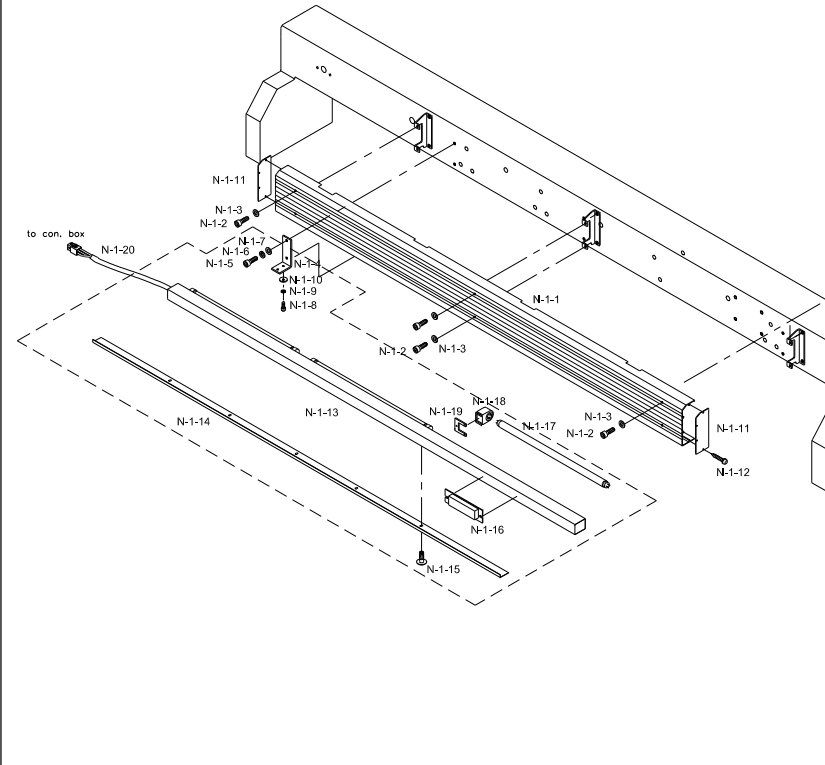
LAMP & SWITCH



N-2



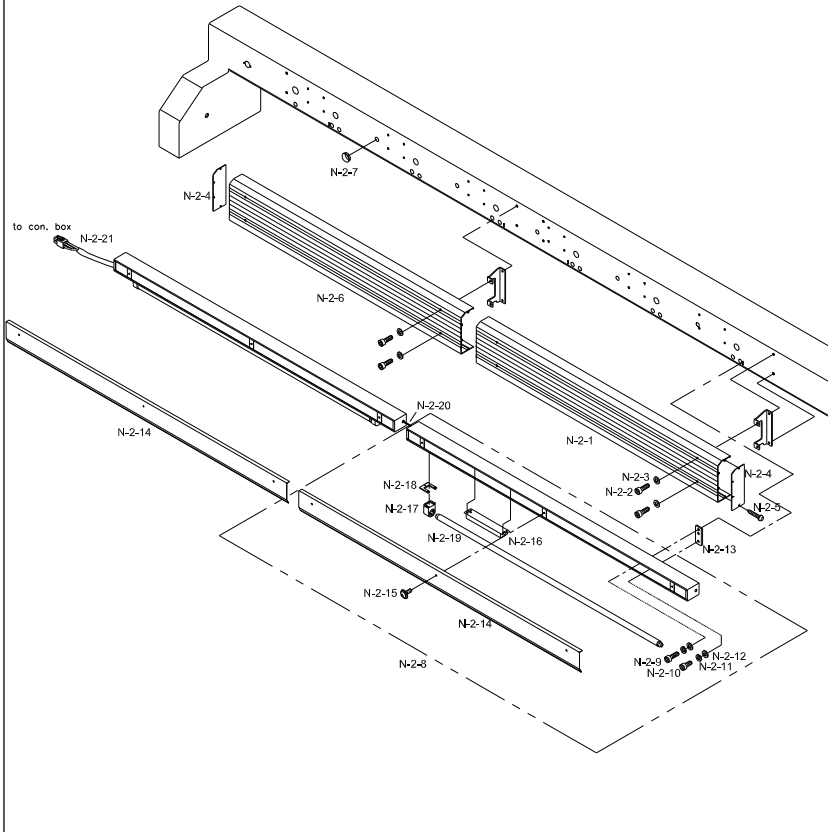
N-1



Note

Ref.No	PartNo.	PartName	Application date	Interchangeability	Hardware	Qty	Remarks
N-1-1	GP-041909-00	CABLE COVER L=2232	~ 2009.08.06	X		1	
	GP-041909-01		2009.08.07 ~ 2012.09.06	△			
	GP-041909-02		2012.09.07 ~ 2015.05.30				
	GP-041909-03		2015.06.01 ~ 2018.04.29				
	GP-041909-04		2018.04.30 ~				
N-1-2	02031SC-7113	Hex. Socket Screw (M5*L10)	~ 2009.12.29		O	10	
	PSC-AC004500		2009.12.30 ~		O		
N-1-3	18049SW-3111	Washer (@5)	~ 2009.07.28		O	8	
	PWS-AA001500		2009.07.29 ~		O		
N-1-4	11000100U000	LAMP BRACKET	~ 2018.01.08			3	
	GP-060059-02		2018.01.09 ~				
N-1-5	08091SC-7113	Hex. Socket Bolt (M6*L20)	~ 2009.06.01		O	6	
	PSC-AC002000		2009.06.02 ~		O		
N-1-6	16014SW-4115	Spring Washer (@6)	~ 2009.07.28		O	6	
	PWS-CA001000		2009.07.29 ~		O		
N-1-7	08057SW-1111	Washer (@6)	~ 2009.07.28		O	6	
	PWS-AA001400		2009.07.29 ~		O		
N-1-8	14014SC-7113	Hex.Socket Set Screw (M5*L8)			O	15	
N-1-9	18048SW-3115	Spring Washer (@5)	~ 2009.07.28		O	15	
	PWS-CA000800		2009.07.29 ~		O		
N-1-10	20038PR-T121	WASHER (@8)			O	6	
N-1-11	12000200B000	CABLE COVER PLATE	~ 2008.04.29			2	
	GP-038306-00		2008.04.30 ~ 2009.07.01				
	GP-038306-01		2009.07.02 ~				
N-1-12	02065SC-3328	Tapping Screw (M3*L10)			O	8	
N-1-13	32001PR-UK01	Lamp Ass'Y	~ 2018.04.22			1	
	AS-021430-00		2018.04.23 ~				
N-1-14	32039PR-UK01	REFLECTING COVER	~ 2018.04.22			1	
N-1-15	20014SC-9124	Hex. Socket Screw (M4*L8)	~ 2018.04.22			5	
N-1-16	09000700U000	Ballast (20W)	~ 2018.04.22		O	3	
N-1-17	32020EL-UK01	Lamp	~ 2018.04.22			3	
N-1-18	20014ET-A001	Lamp Socket	~ 2018.04.22			6	
N-1-19	GP-009003-00	Lamp Socket Fixed Plate	~ 2018.04.22	X		6	
N-1-20	2.11E+46	Cable (Ce4Ht-50)	~ 2018.04.22			1	
N-1-21	32001bm-uk16	Lamp Mechanism	~ 2018.04.22			1	
N-1-22	GP-060059-02	LED Bracket	2018.04.23 ~			4	

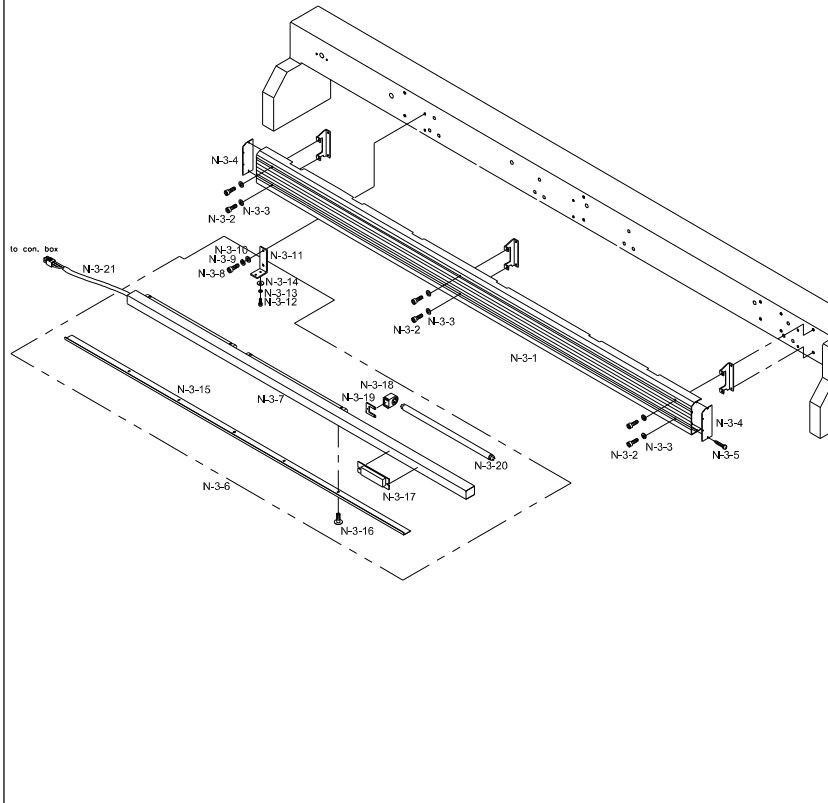
N-2



Note

Ref.No	PartNo.	PartName	Application date	Interchangeability	Hardware	Qty	Remarks
N-2-1	02057AD-A102	Board Cover L=1649,1627	~ 2008.07.08			2	
	AS-010722-00		2008.07.09 ~ 2009.08.06				
	AS-010722-01		2009.08.07 ~ 2018.04.29				
	AS-010722-02		2018.04.30 ~				
N-2-2	02031SC-7113	Hex. Socket Screw (M5*L10)	~ 2009.12.29		O	8	
	PSC-AC004500		2009.12.30 ~		O		
N-2-3	18049SW-3111	Washer (@5)	~ 2009.07.28		O	8	
	PWS-AA001500		2009.07.29 ~		O		
N-2-4	12000200B000	CABLE COVER PLATE	~ 2008.04.29			2	
	GP-038306-00		2008.04.30 ~ 2009.07.01				
	GP-038306-01		2009.07.02 ~				
N-2-5	02065SC-3328	Tapping Screw (M3*L10)			O	8	
N-2-6	02093AD-UK06	Board Cover "A"				1	
N-2-7	02017PM-A001	Cable Ring				5	
N-2-8	AS-001838-00	Lamp Ass,Y "B"	~ 2017.12.07	X		2	
	AS-021364-00		2017.12.08 ~				
N-2-9	03016SC-4113	Hex. Socket Bolt (M5*L15)	~ 2017.12.07		O	8	
N-2-10	02031SC-7113	Hex. Socket Screw (M5*L10)	~ 2017.12.07		O	4	
N-2-11	18048SW-3115	Spring Washer (@5)	~ 2017.12.07		O	12	
N-2-12	16018SW-1111	Washer (@5)	~ 2017.12.07		O	12	
N-2-14	20009PR-A001	Reflecting	~ 2017.12.07			2	
N-2-15	02010AF-3123	Truss Screw (M4*L8)	~ 2017.12.07		O	6	
N-2-16	09000700B000	Ballast	~ 2017.12.07			2	
N-2-17	20014ET-A001	Lamp Socket	~ 2017.12.07			4	
N-2-18	GP-009003-00	Lamp Socket Fixed Plate	~ 2017.12.07	X		4	
N-2-19	20009EL-B001	LAMP (32W)	~ 2017.12.07		O	2	
N-2-20	25053EL-UK06	Cable (25-53)	~ 2017.12.07			1	
N-2-21	2.11E+46	Cable (Ce4Ht-50)	~ 2017.12.07			1	
N-2-22	GP-060059-02	LED Bracket	2018.04.23 ~			4	

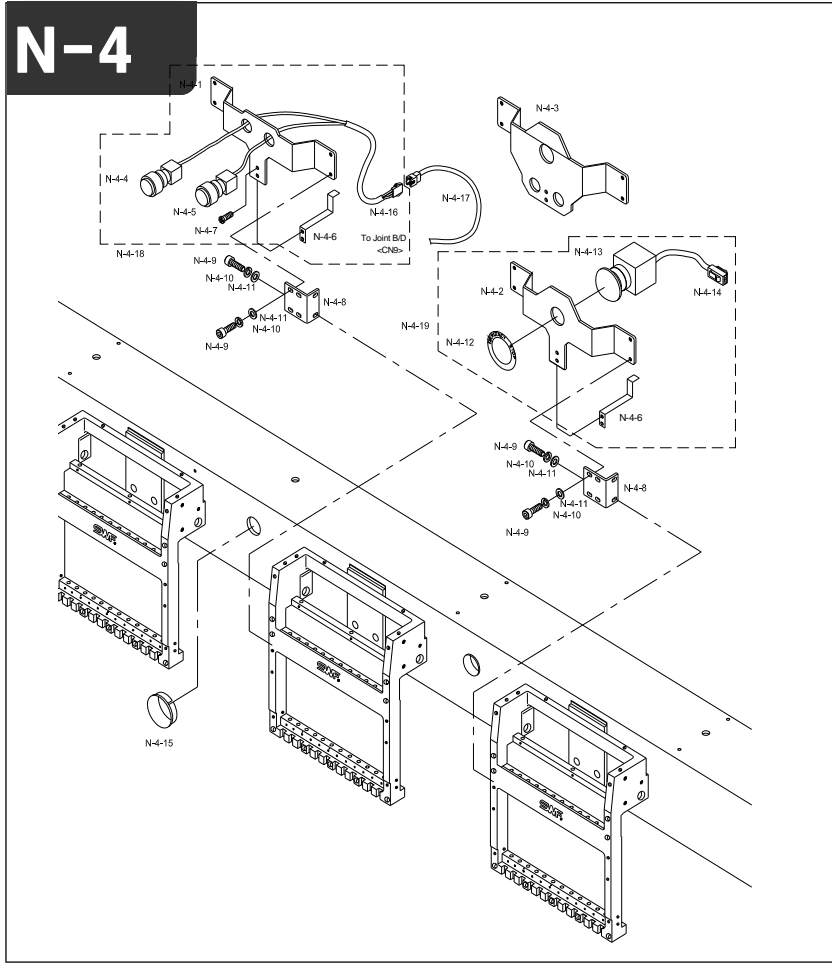
N-3



Note

Ref.No	PartNo.	PartName	Application date	Interchangeability	Hardware	Qty	Remarks
N-3-1	09000720UH00	CABLE COVER L=2680	~ 2008.07.14			1	
	GP-041907-00		2008.07.15 ~ 2009.08.06				
	GP-041907-01		2009.08.07 ~ 2012.09.03				
	GP-041907-02		2012.09.04 ~ 2015.05.30				
	GP-041907-03		2015.06.01 ~ 2018.04.23				
	GP-041907-04		2018.04.24 ~				
N-3-2	02031SC-7113	Hex. Socket Screw(M5*L10)	~ 2009.12.29		O	6	
	PSC-AC004500		2009.12.30 ~		O		
N-3-3	18049SW-3111	Washer (@5)	~ 2009.07.28		O	6	
	PWS-AA001500		2009.07.29 ~		O		
N-3-4	12000200B000	CABLE COVER PLATE	~ 2008.04.29			2	
	GP-038306-00		2008.04.30 ~ 2009.07.01				
	GP-038306-01		2009.07.02 ~				
N-3-5	02065SC-3328	Tapping Screw (M3*L10)			O	8	
N-3-6	AS-001825-00	Lamp Ass'Y	~ 2017.12.07	X		1	
	AS-021364-00		2017.12.08 ~				
N-3-7	08091SC-7113	Hex. Socket Bolt (M6*L20)	~ 2017.12.07		O	6	
N-3-8	16014SW-4115	Spring Washer (@6)	~ 2017.12.07		O	6	
N-3-9	08057SW-1111	Washer (@6)	~ 2017.12.07		O	6	
N-3-10	11000100U000	LAMP BRACKET	~ 2017.12.07			3	
N-3-11	14014SC-7113	Hex.Socket Set Screw(M5*L8)	~ 2017.12.07		O	6	
N-3-12	18048SW-3115	Spring Washer (@5)	~ 2017.12.07		O	6	
N-3-13	20038PR-T121	Washer (@8)	~ 2017.12.07		O	6	
N-3-14	32029PR-UK01	Reflecting Cover	~ 2017.12.07			1	
N-3-15	02010SC-3123	Truss Screw (M4*L8)	~ 2017.12.07		O	5	
N-3-16	09000700U000	Ballast (20W)	~ 2017.12.07		O	3	
N-3-17	20014ET-A001	Lamp Socket	~ 2017.12.07			6	
N-3-18	GP-009003-00	LAMP Socket Fixed Plate	~ 2017.12.07	X		3	
N-3-19	32020EL-UK01	PLUS SCREW (M3*L8)	~ 2017.12.07		O	3	
N-3-20	25022EL-UK01	To Adjusting Plate (4Ht-22)	~ 2017.12.07			1	
N-3-21	02105700UH60	Cable (Sh-57-3)	~ 2017.12.07			1	
N-3-22	GP-060059-02	LED Bracket	2018.04.23 ~			4	

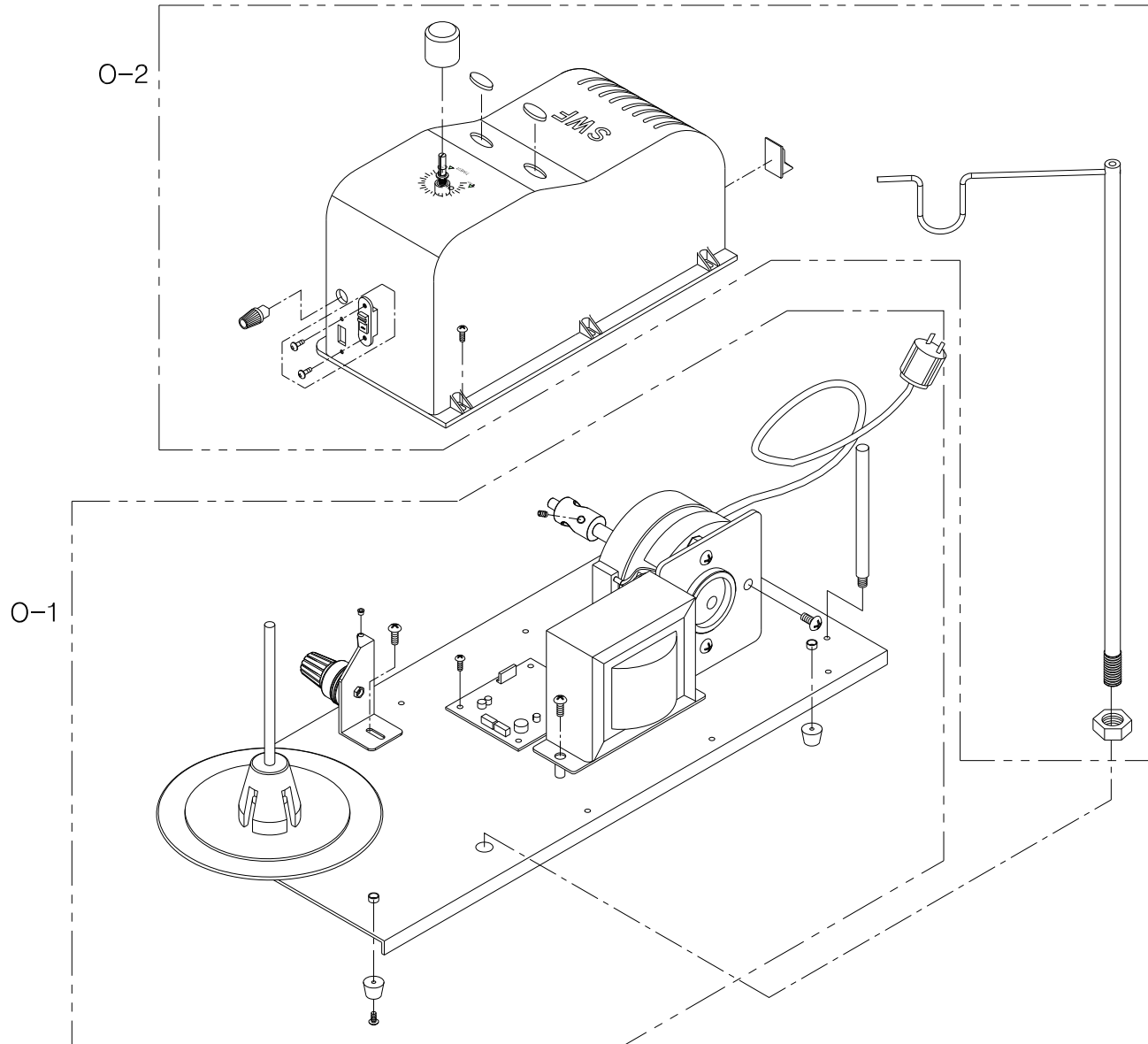
N-4



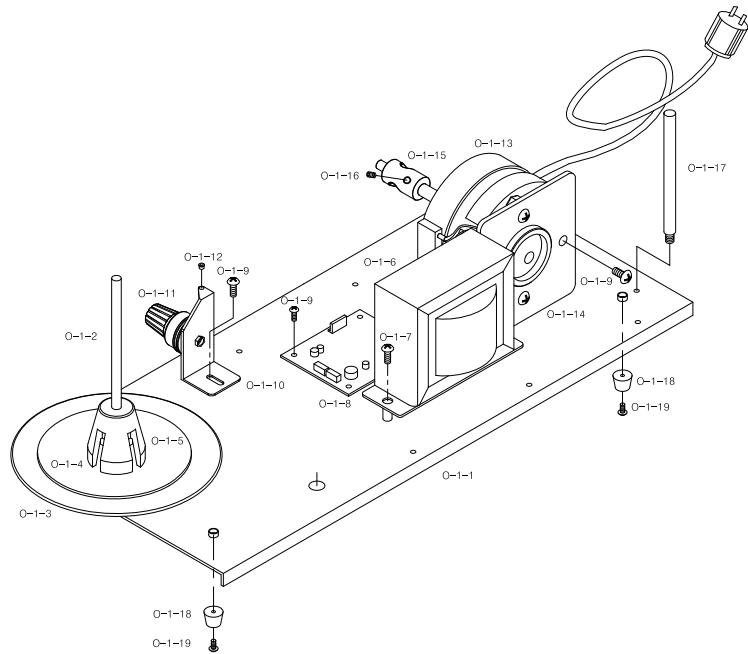
Note

Ref.No	PartNo.	PartName	Application date	Interchangeability	Hardware	Qty	Remarks
N-4-1	02024LA-UK14	S/B Switch Base	~ 2010.06.09			2	
	GP-048497-00		2010.06.10 ~				
N-4-2	02028LA-UK14	Emergency Switch Base	~ 2010.06.09			1	
	GP-048496-00		2010.06.10 ~				
N-4-3	02008LA-UK12	Switch Base	~ 2010.06.09			1	
	GP-048493-00		2010.06.10 ~				
N-4-4	02027EL-UK01	S/B Switch Set	~ 2008.06.30			2	
	EP-000193-00		2008.07.01 ~				
N-4-5	02026EL-UK01	Start Switch Set	~ 2008.06.30			2	
	EP-000192-00		2008.07.01 ~				
N-4-6	02062PR-UI12	Cable Holder	~ 2010.05.09			3	
	GP-048507-01		2010.05.10 ~				
N-4-7	15089SC-7119	C.S Screw (M4*L10)	~ 2011.04.27		O	3	
	PSC-BB003000		2011.04.28 ~		O		
N-4-8	04000104uk00	Switch Base Holder	~ 2012.02.12			6	
	GP-049435-00		2012.02.13 ~				
N-4-9	14002SC-7113	Hex.Socket Bolt (M6*L15)	~ 2009.08.27		O	6	
	PSC-AC005800		2009.08.28 ~		O		
N-4-10	16014SW-4115	Spring Washer (@6)	~ 2009.07.28		O	22	
	PWS-CA001000		2009.07.29 ~		O		
N-4-11	08057SW-1111	Washer (@6)	~ 2009.07.28		O	22	
	PWS-AA001400		2009.07.29 ~		O		
N-4-12	02103ET-UK01	Emergency Switch Sticker	~ 2010.06.9			1	
	GP-048502-00		2010.06.10 ~				
N-4-13	02000800T000	Emergency Switch Set				1	
N-4-14	02106400U000	Emergency S/W Cable	~ 2004.12.01			1	
	SH-39-01		2004.12.02 ~				
N-4-15	02017PM-A001	Cable Ring	~ 2008.10.05			4	
	GP-037851-00		2008.10.06 ~				
N-4-16	25032EL-UK01	Start Stop Switch (4Ht-32)(UK1202)(UK1204)				2	
	25028EL-UK06	Cable (25-28) (UK1206)				2	
	25032EL-UK01	Start Stop Switch (4Ht-32)(UH1506C)				2	
	25028EL-UK06	Cable (25-28) (UH1508)				2	
N-4-17	25030EL-UK02	Cable (25-30) 2Head (UK1202)				1	
	25031EL-UK01	To Joint B/D Cable (4Ht-31) (UK1204)				1	
	25027EL-UK06	Cable (25-27) (UK1206)				1	
	25051EL-UK01	Emergency Switch Cable 4Ht-51 (UH1506C)				1	
	02103000UH80	Cable (Sh-30-4) (UH1508)				1	
N-4-18	AS-001966-00	S/B Switch Assy	~ 2013.03.04		X	3	
	AS-001966-01		2013.03.05 ~				
N-4-19	AS-001965-00	Emergency Switch Assy			X	2	

Bobbin Winder



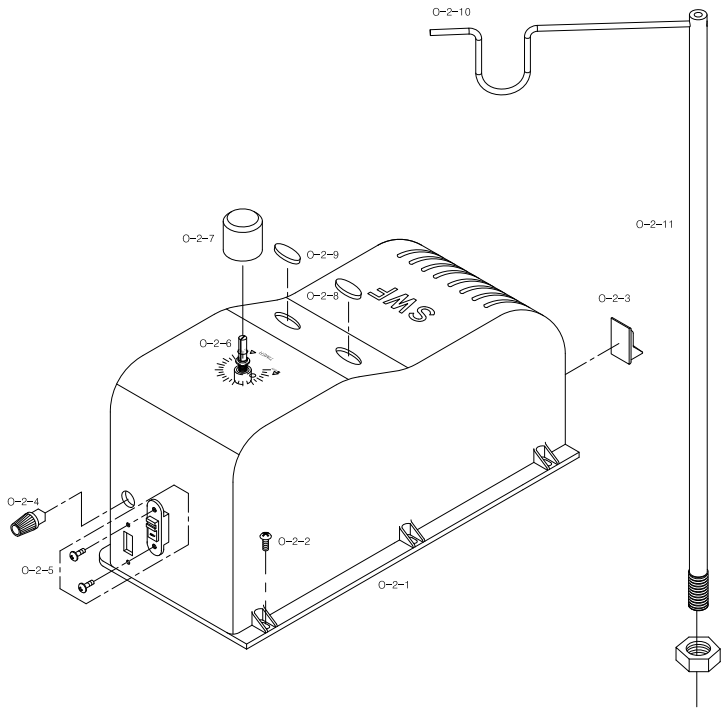
O-1



Note

Ref.No	PartNo.	PartName	Application date	Interchangeability	Hardware	Qty	Remarks
O-1-1	GP-014870-00	Base		X		1	
O-1-2	GP-014366-00	Spool Post		X		1	
O-1-3	GP-014363-00	Spool Support Base		X		1	
O-1-4	GP-014365-00	Spool Support Base Sponge		X		1	
O-1-5	12012PM-A001	Spool Holder				1	
O-1-6	EP-000078-00	Transformer A'ssy		X		1	
O-1-7	18153SC-3123	Truss Screw (M4*L12)	~ 2009.10.28		O	8	
	PSC-BH000700		2009.10.29 ~		O		
O-1-8	EP-000095-00	PCB (DW-BW01)		X		1	
O-1-9	15042SC-3123	Truss Screw (M4*L6)	~ 2010.03.30		O	9	
	PSC-BH000600		2010.03.31 ~		O		
O-1-10	GP-014370-00	Tension Control Holder		X		1	
O-1-11	AS-003951-00	Thread Control Device Ass'y		X		1	
O-1-12	05452CM-A001	Thread Guide Bushing	~ 2009.09.28			1	
	DBS-DB002400		2009.09.29 ~				
O-1-13	MO-000029-00	Motor Ass'y		X		1	
O-1-14	GP-014871-00	Motor Bracket		X		1	
O-1-15	GP-014354-00	Bobbin Shaft		X		1	
	GP-014354-01			△		1	
	GP-014354-02			△		1	
	GP-014354-03			△		1	
O-1-16	SC-000173-00	Set Screw (M5*L4)	~ 2011.07.27	X	O	1	
	PSC-CB005700		2011.07.28 ~		O		
O-1-17	02026SC-A001	Stand				1	
O-1-18	GP-014346-00	Rubber For Support Base		X		4	
O-1-19	13054SC-3123	Truss Screw (M3*L8)	~ 2011.03.28		O	4	
	PSC-BH002200		2011.03.29 ~		O		

O-2

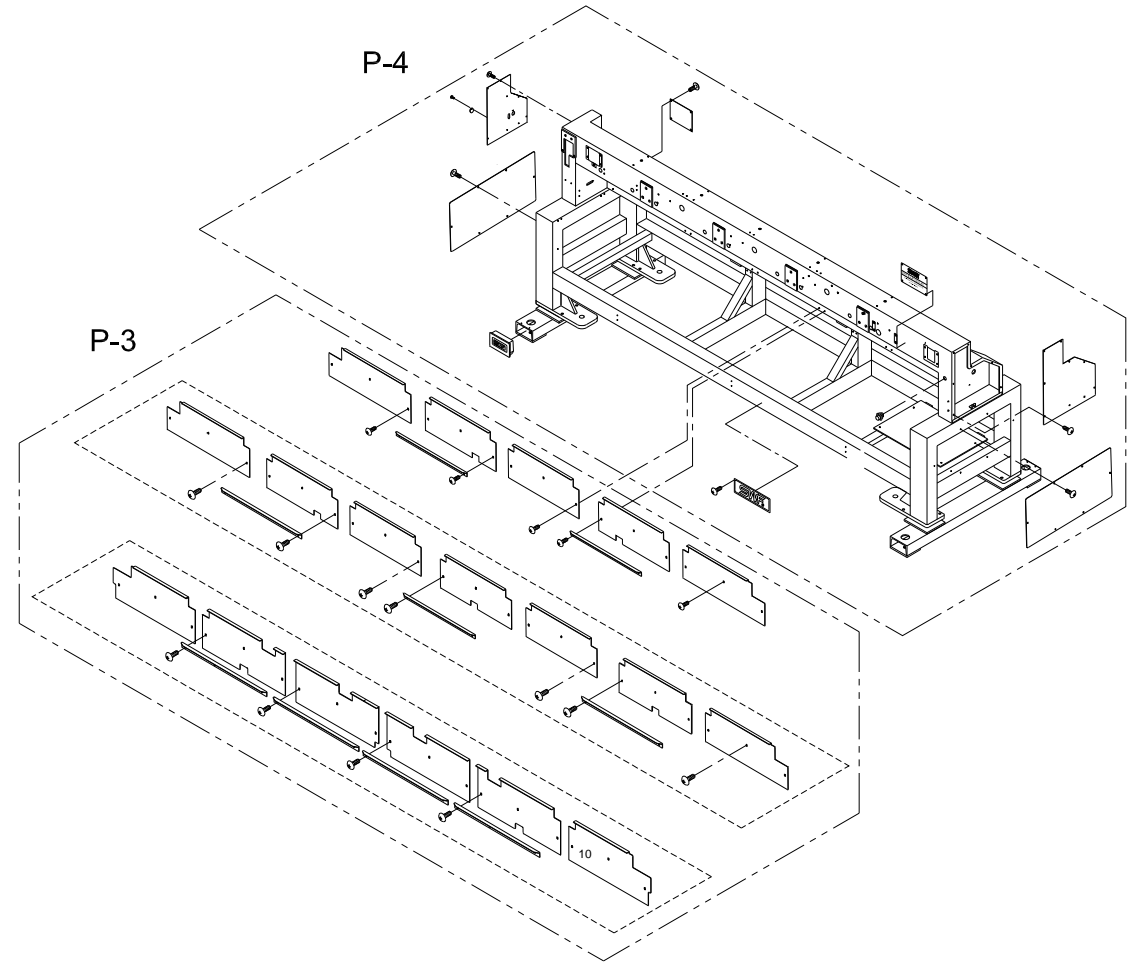
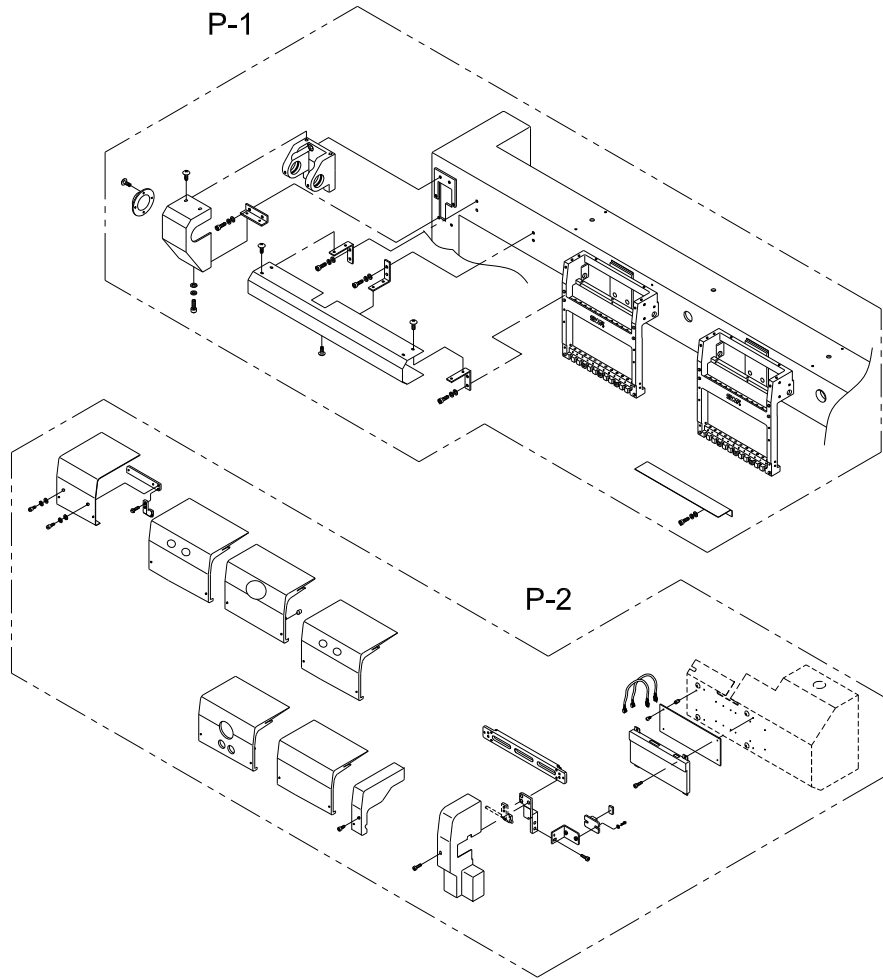


Ref.No	PartNo.	PartName	Application date	Interchangeability	Hardware	Qty	Remarks
O-2-1	GP-014869-00	Cover		X		1	
	GP-014869-01			△		1	
O-2-2	18153SC-3123	Truss Screw (M4*L12)	~ 2009.10.28		O	8	
	PSC-BH000700		2009.10.29 ~		O		
O-2-3	EP-000079-00	On / Off Switch		X		1	
O-2-4	GP-014678-00	Fuse Holder		X		1	
O-2-5	EP-000082-00	Switch (Select)		X		1	
O-2-6	GP-014677-00	VR Knob		X		1	
O-2-7	EP-000083-00	VR		X		1	
O-2-8	EP-000080-00	Push Switch (Start)		X		1	
O-2-9	EP-000081-00	Push Switch (Stop)		X		1	
O-2-10	GP-014369-00	Antenna Bar Hanger		X		2	
O-2-11	GP-014368-00	Antenna Bar		X		1	

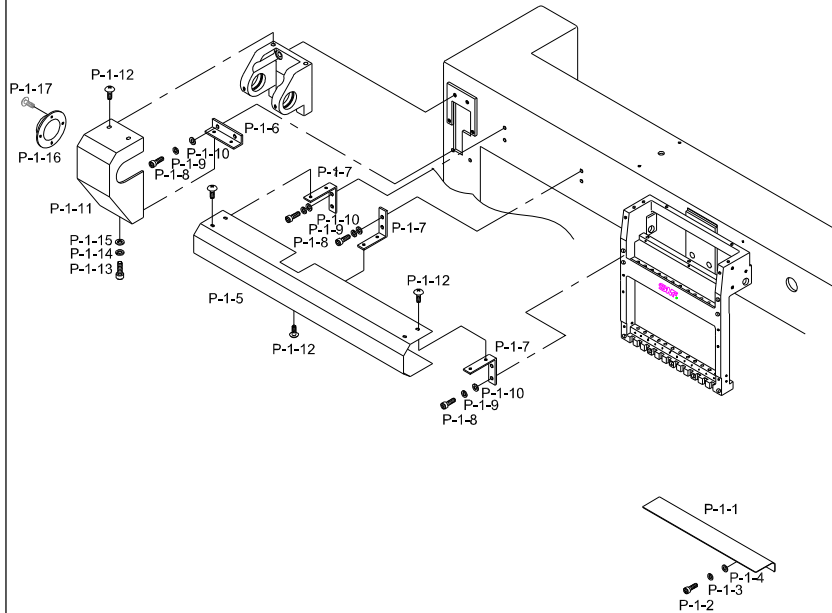
Note



COVER



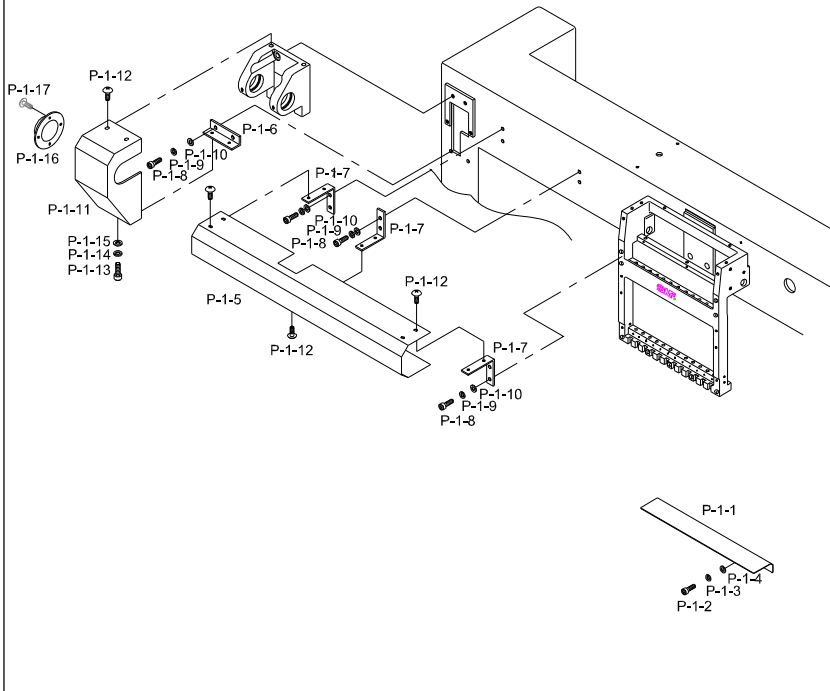
P-1



Note

Ref.No	PartNo.	PartName	Application date	Interchangeability	Hardware	Qty	Remarks
P-1-1	01000214UK00	SURFACE COVER "B" (UK1206)	~ 2007.04.16			1	
	GP-029068-00		2007.04.17 ~				
	01000204UK40	Surface Cover "B" (UK1204)				1	
	09000415UH00	SURFACE COVER L287 (UH1506C)	~ 2007.05.20			1	
GP-030538-00	2007.05.21 ~						
P-1-2	02015SC-7113	Hex.Socket Bolt(M4*L10)	~ 2009.09.28		O	11	
	PSC-AC007100		2009.09.29 ~		O		
P-1-3	02028SW-9115	Spring Washer (@4)	~ 2009.07.28		O	15	
	PWS-CA000700		2009.07.29 ~		O		
P-1-4	05009SW-1111	Washer (@4-L)	~ 2011.02.24		O	18	
	PWS-AA004400		2011.02.25 ~		O		
P-1-5	01000710UK00	TOP SHAFT COVER (UK1204)	~ 2005.05.05			1	
	GP-009024-00		2005.05.06 ~ 2007.03.21				
	GP-009024-01		2007.03.22 ~ 2009.06.28				
	GP-009024-02		2009.06.29 ~				
	01000710UK60	TOP SHAFT COVER (UK1206)	~ 2005.05.05			1	
	GP-009026-00		2005.05.06 ~ 2007.03.21				
	GP-009026-01		2007.03.22 ~ 2009.06.14				
	GP-009026-02		2009.06.15 ~				
	09000515UH00	Top Shaft Cover D (UH1506C)	~ 2004.07.06			1	
	09000525UH80		2004.07.07 ~ 2005.05.18				
	GP-009093-00		2005.05.19 ~ 2007.03.21				
	GP-009093-01		2007.03.22 ~ 2009.06.14				
GP-009093-02	2009.06.15 ~						
09000505UH80	TOP SHAFT COVER D L=499.5 (UH1508)	~ 2005.05.05			1		
GP-009025-00		2005.05.06 ~ 2007.03.21					
GP-009025-01		2007.03.22 ~					
P-1-6	02031PR-UK02	Pulley Cover Bracket				1	
P-1-7	02025PR-UK02	Top Shaft Cover (C) Bracket L				3	
P-1-8	02031SC-7113	Hex. Socket Screw(M5*L10)	~ 2009.12.29		O	10	
	PSC-AC004500		2009.12.30 ~		O		
P-1-9	18048SW-3115	Spring Washer (@5)	~ 2009.07.28		O	24	
	PWS-CA000800		2009.07.29 ~		O		
P-1-10	16018SW-1111	Washer (@5)	~ 2011.04.27		O	8	
	PWS-AA004600		2011.04.28 ~		O		
P-1-11	01001000UK00	Top Shaft Pulley Cover	~ 2004.09.14			1	
	01001000UH80		2004.09.15 ~ 2011.04.10				
	GP-052327-00		2011.04.11 ~ 2013.05.14				
	GP-052327-01		2013.05.15 ~ 2014.01.06				
	GP-054876-01		2014.01.07 ~				

P-1

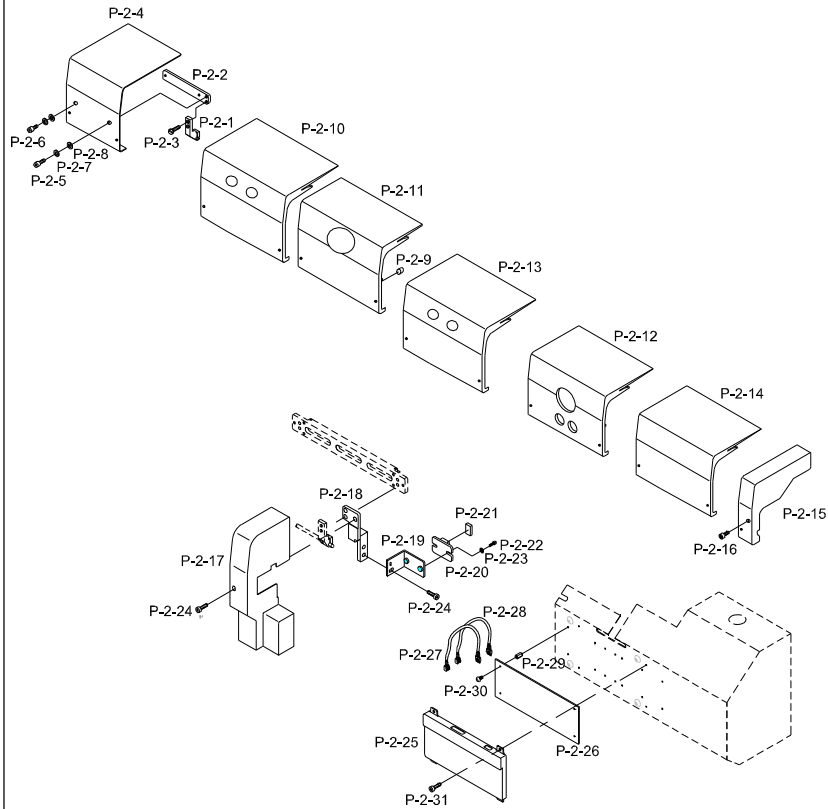


Note

Ref.No	PartNo.	PartName	Application date	Interchangeability	Hardware	Qty	Remarks
P-1-12	15042SC-3123	Truss Screw (M4*L6)	~ 2010.03.30		O	7	
	PSC-BH000600		2010.03.31 ~		O		
P-1-13	02023SC-7113	HEX.SOCKET BOLT (M4*L8)	~ 2009.07.28		O	2	
	PSC-AC004100		2009.07.29 ~		O		
P-1-14	18014SW-3115	SPRING WASHER (@4-NO2)	~ 2009.07.28		O	2	
	PWS-CA000900		2009.07.29 ~		O		
P-1-15	18015SW-3111	WASHER (4@)	~ 2009.06.07		O	2	
	PWS-AA001000		2009.06.08 ~		O		
P-1-16	01001100UK00	Top Shaft Pulley Cover B				1	
P-1-17	09005SC-3123	Truss Screw (M3*L6)	~ 2009.10.28		O	4	
	DSC-BH000300		2009.10.29 ~		O		

P

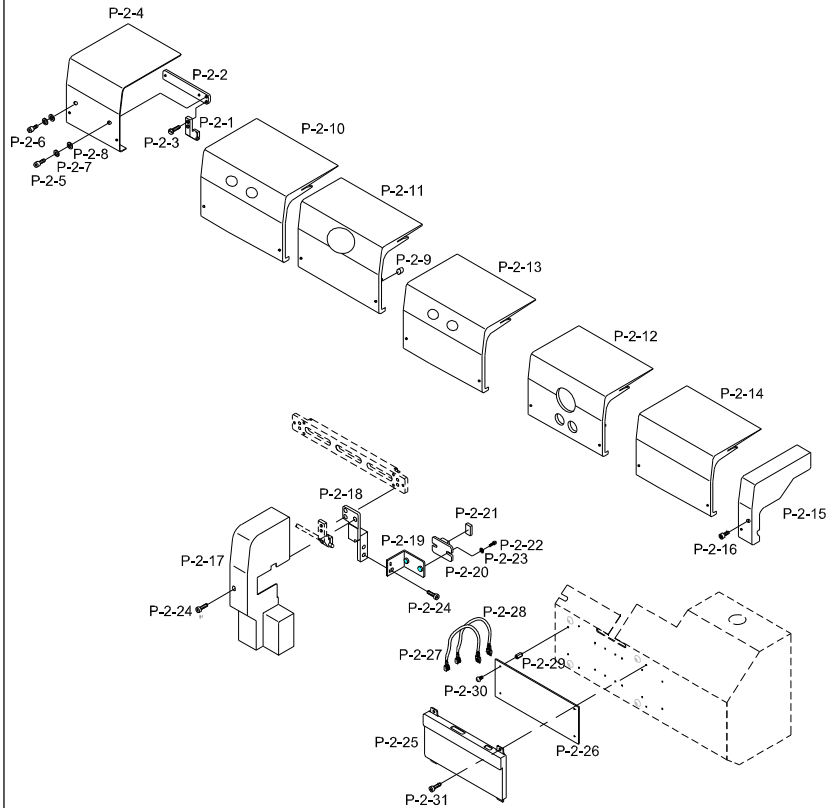
P-2



Note

Ref.No	PartNo.	PartName	Application date	Interchangeability	Hardware	Qty	Remarks
P-2-1	GP-011945-00	Color Change Bracket "B"	2011.02.24 ~	X		39	
	LCC-BB000100		2011.02.25 ~ 2012.05.29				
	LCC-BB000101		2012.05.30 ~ 2017.08.24				
	LCC-BB000102		2017.08.25 ~				
P-2-2	09000200H000	Top Shaft Cover (L) Bracket	~ 2003.04.15			1	
	02025PR-UK02		2003.04.16 ~				
P-2-3	13048SC-A001	Bracket "A" Screw	~ 2011.03.28			2	
	DSC-BB006000		2011.03.29 ~				
P-2-4	01001400UK00	Top Shaft Cover (L)	~ 2012.05.13			1	
	BMB-PS000200		2012.05.14 ~ 2012.09.18				
	BMB-PS000201		2012.09.19 ~ 2017.08.24				
	BMB-PS000202		2017.08.25 ~				
P-2-5	02015SC-7113	Hex.Socket Bolt(M4*L10)	~ 2009.09.28		O	1	
	PSC-AC007100		2009.09.29 ~				
P-2-6	02023SC-7113	HEX. SOCKET BOLT (M4*L8)	~ 2009.07.28		O	1	
	PSC-AC004100		2009.07.29 ~				
P-2-7	18014SW-3115	SPRING WASHER (@4-NO2)	~ 2009.07.28		O	2	
	PWS-CA000900		2009.07.29 ~				
P-2-8	18015SW-3111	WASHER (4@)	~ 2009.06.07		O	2	
	PWS-AA001000		2009.06.08 ~				
P-2-9	02023ET-A001	Top Shaft Cover Magnet	~ 2009.12.29			6	
	DTC-AK000100		2009.12.30 ~				
P-2-10	09000102UK00	Top Shaft Cover "A" (6C)	~ 2012.03.04			1	
	09000103UK00	Top Shaft Cover "A" (9C)	2012.03.05 ~				
	GP-054033-00	Top Shaft Cover "A" (12C)	~ 2010.06.09				
	09000104UK00	Top Shaft Cover "A" (15C)	2010.06.10 ~				
	GP-048495-00	Top Shaft Cover "A" (15C)	~ 2012.03.04				
	02001PM-UK14	Top Shaft Cover "A" (15C)	2012.03.05 ~				
	GP-053917-00	Top Shaft Cover "A" (L191) (UH1206C)	~ 2012.03.04				
	09000104UH00	Top Shaft Cover "A" (L191) (UH1206C)	2012.03.05 ~				
	09000105UH00	Top Shaft Cover "A" (L146) (UH1506C)	~ 2012.03.04				
	GP-053915-00	Top Shaft Cover "A" (L146) (UH1506C)	2012.03.05 ~				
P-2-11	09000202UK00	Top Shaft Cover "B" (6C)	~ 2006.07.10			2	
	GP-018519-00	Top Shaft Cover "B" (6C)	2006.07.11 ~				
	09000203UK00	Top Shaft Cover "B" (9C)	~ 2006.07.10				
	GP-018517-00	Top Shaft Cover "B" (9C)	2006.07.11 ~				
	09000204UK00	Top Shaft Cover "B" (12C)	~ 2005.04.29				
	02005PM-UK14	Top Shaft Cover "B" (15C)	2005.04.30 ~				
	09000204UH00	Top Shaft Cover "B" (L191) (UH1206C)	~ 2011.07.19				
	GP-049463-00	Top Shaft Cover "B" (L191) (UH1206C)	2011.07.20 ~				
	09000205UH00	Top Shaft Cover "B" (L146) (UH1506C)	~ 2006.08.17				
	09000303UH60	Top Shaft Cover "B" (L146) (UH1506C)	2006.08.18 ~				
	09000205UH00	Top Shaft Cover "B" (UH1508)	~ 2006.08.17				
	09000303UH60	Top Shaft Cover "B" (UH1508)	2006.08.18 ~				

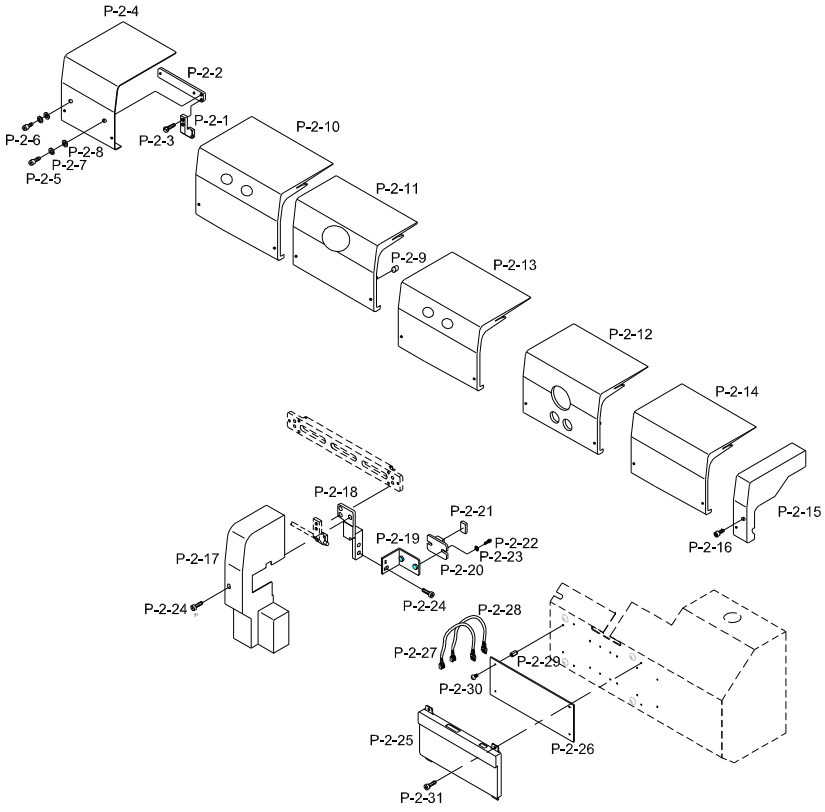
P-2



Note

Ref.No	PartNo.	PartName	Application date	Interchangeability	Hardware	Qty	Remarks	
P-2-12	09000104UK20	Top Shaft Cover (L=291) (UK1202)	~ 2011.07.19			1		
	GP-049437-00		2011.07.20 ~					
P-2-13	09000302UK00	Top Shaft Cover "C" (UK606)	~ 2006.07.10			2		
	GP-018521-00		2006.07.11 ~					
	09000303UK00	Top Shaft Cover "C" (UK906)	~ 2006.07.10			2		
	GP-018518-00		2006.07.11 ~					
	09000304UK00	Top Shaft Cover "C" (UK1206)	~ 2011.07.19			2		
	GP-049438-00		2011.07.20 ~					
		02036PM-UK14	Top Shaft Cover Uk1504-45 (UK1506)				2	
		09000304UH00	Top Shaft Cover "C" (L191) (UH1206C)				2	
		09000305UH00	Top Shaft Cover "C" (L146) (UH1506C)	~ 2006.08.17			2	
	09000403UH60	2006.08.18 ~						
P-2-14	09000305UH00	TOP SHAFT COVER "C" (L146) (UH1508)	~ 2006.08.17			2		
	09000403UH60		2006.08.18 ~					
P-2-15	AS-001504-00	TOP SHAFT COVER(R)SET		X		1		
	AS-001504-01		~ 2009.12.08	△				
	AS-001504-02		2009.12.09 ~					
P-2-16	02014SC-7113	Hex. Socket Bolt (M4*L5)	~ 2010.10.28		O	1		
	PSC-AC016100		2010.10.29 ~		O			
P-2-17	AS-015267-00	Upper Shaft Cover (R) Ass'y	~ 20008.12.16	X		1		
	AS-015267-01		2008.12.17 ~ 2008.12.25	△				
	AS-015267-02		2008.12.26 ~ 2009.01.04	△				
	AS-015267-03		2009.01.05 ~ 2009.11.08	△				
	AS-015267-04		2009.11.09 ~ 2011.10.06					
	AS-015267-05		2011.10.07 ~ 2012.09.18					
	AS-015267-06		2012.09.19 ~ 2017.08.24					
	AS-015267-07		2017.08.25 ~					
P-2-18	GP-044170-00	Upper Shaft Cover(R) Bracket	~ 2017.08.24	X		1		
	GP-044170-01		2017.08.25 ~					
P-2-19	GP-044171-00	Upper Shaft Cover(R) Bracket		X		1		
P-2-20	13036PR-A001	Magnet Holder	~ 2011.02.24			1		
	LCC-BF000100		2011.02.25 ~					
P-2-21	10-027C-SC53	Magnet	~ 2010.12.30			1		
	PTC-AK000300		2010.12.31 ~					
P-2-22	22006SC-7113	Hex.Socket Bolt (M3*L8)	~ 2009.07.28		O	2		
	PSC-AC002800		2009.07.29 ~		O			
P-2-23	06011SW-2111	Washer (@3)	~ 2009.09.28		O	2		
	PWS-AA001900		2009.09.29 ~		O			
P-2-24	02014SC-7113	Hex.Socket Bolt (M4*L5)	~ 2010.10.28		O	3		
	PSC-AC016100		2010.10.29 ~		O			

P-2

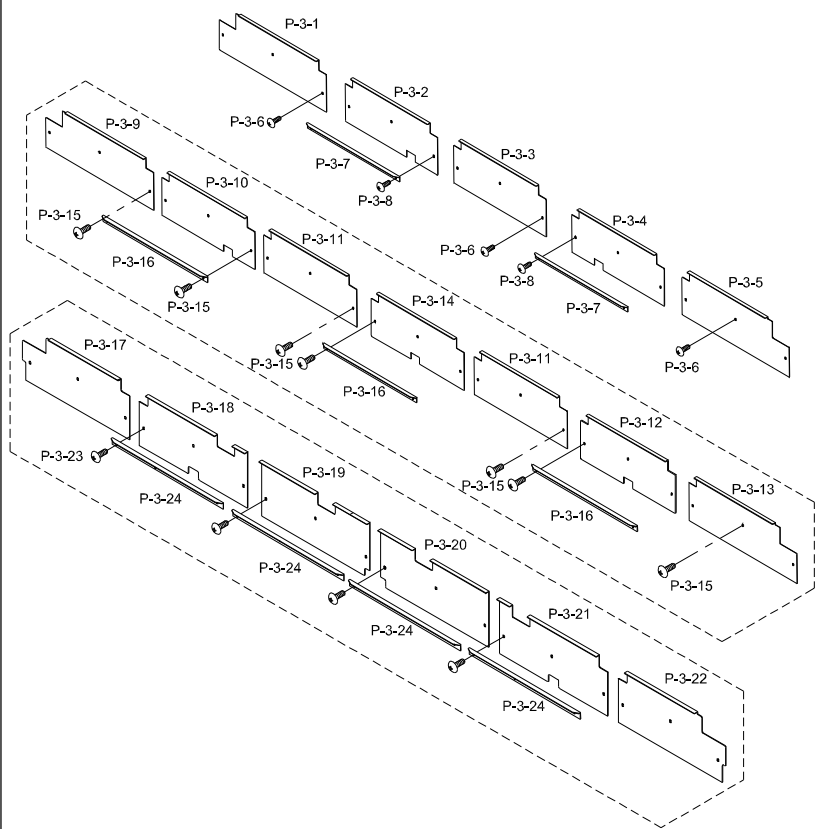


Note

Ref.No	PartNo.	PartName	Application date	Interchangeability	Hardware	Qty	Remarks
P-2-25	13060ET-A005	Color Change Board Cover	~ 2011.02.24			1	
	LCC-LA000300		2011.02.25 ~				
P-2-26	BD-000821-00	Needle Position Board (6 Color)		X		1	
	BD-000809-00	Needle Position Board (9 Color)		X		1	
	BD-000820-00	Needle Position Board (12 Color)		X		1	
	BD-000813-00	Needle Position Board (15 Color)		X		1	
P-2-27	CA-004803-00	Half turn sensor to N/P Board Cable		X		1	
P-2-28	CA-001620-00	C/C Board TO N/P Board Cable		X		1	
P-2-29	GP-008534-00	Stud Bolt	~ 2011.02.24	X		6	
	DSC-HC001900		2011.02.25 ~				
P-2-30	06040SC-8118	Plus Screw (M3 X L4)			O	6	
P-2-31	13020SC-A001	Hex.Socket Bolt (M3*L7)	~ 2011.02.24		O	4	
	PSC-AC017300		2011.02.25 ~				

P

P-3

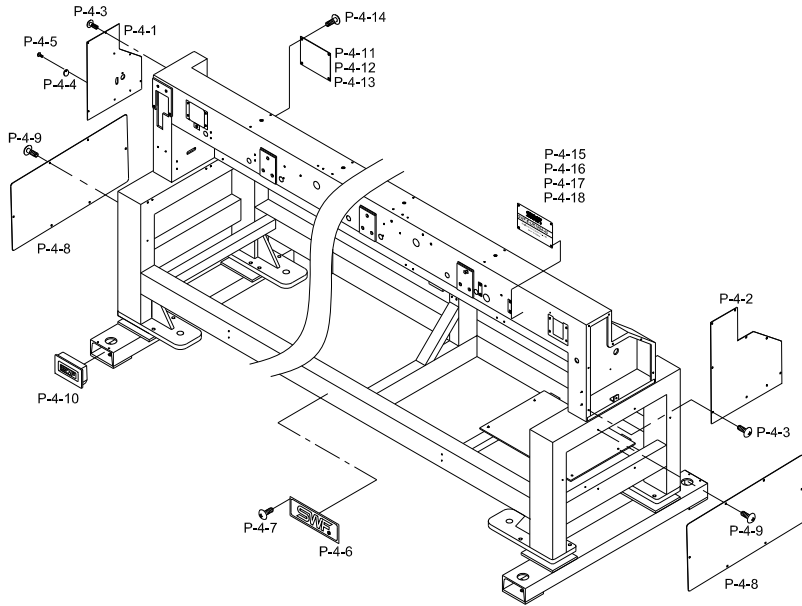


Note

Ref.No	PartNo.	PartName	Application date	Interchangeability	Hardware	Qty	Remarks
P-3-1	01000200UK00	Body Front Cover (A)				1	
P-3-2	01000300UK00	Body Front Cover (B)				1	
P-3-3	01000400UK00	Body Front Cover (C)				1	
P-3-4	01000500UK00	Body Front Cover (D)				1	
P-3-5	01000600UK00	Body Front Cover (E)				1	
P-3-6	02044SC-3123	Truss Screw (M5*L8)			O	2	
P-3-7	17087CW-UK01	Table Support Angle	~ 2006.08.16			4	
	GP-019554-00		2006.08.17 ~				
P-3-8	02044SC-3123	Truss Screw (M5*L8)	~ 2009.07.28		O	1	
	PSC-BH000200		2009.07.29 ~	O			
P-3-9	GP-012039-00	Body Front Cover (A)	~ 2009.01.06	X		1	
	GP-012039-01		2009.01.07 ~	△			
P-3-10	01000300UK60	Body Front Cover (B)				1	
P-3-11	01000400UK00	Body Front Cover (C)				2	
P-3-12	01000500UK60	Body Front Cover (D)				1	
P-3-13	01000600UK00	Body Front Cover (E)				1	
P-3-14	01001500UK60	Body Front Cover (F)				1	
P-3-15	02044SC-3123	Truss Screw (M5*L8)	~ 2009.07.28			21	
	PSC-BH000200		2009.07.29 ~				
P-3-16	17087CW-UK01	Table Support Angle	~ 2006.08.16			3	
	GP-019554-00		2006.08.17 ~				
P-3-17	09000810UH00	Body Front Cover (A)				1	
P-3-18	09000910UH00	Body Front Cover (B)				1	
P-3-19	09001010UH00	Body Front Cover (C)				1	
P-3-20	09001110UH00	Body Front Cover (D)				1	
P-3-21	09001210UH00	Body Front Cover (E)				1	
P-3-22	09001310UH00	Body Front Cover (F)				1	
P-3-23	02044SC-3123	Truss Screw (M5*L8)			O	18	
P-3-24	17087CW-UK01	Table Support Angle	~ 2006.08.16			4	
	GP-019554-00		2006.08.17 ~				



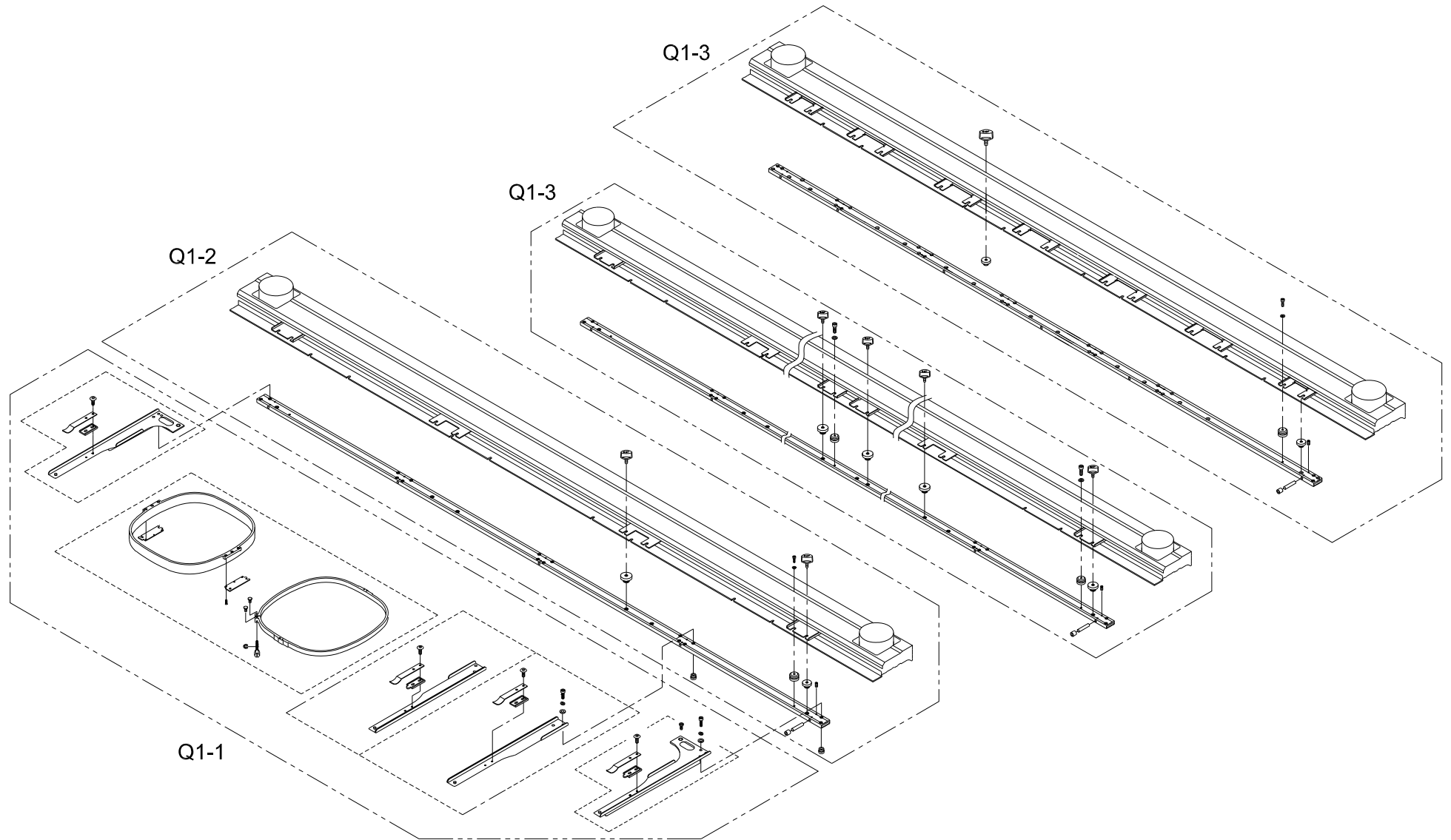
P-4



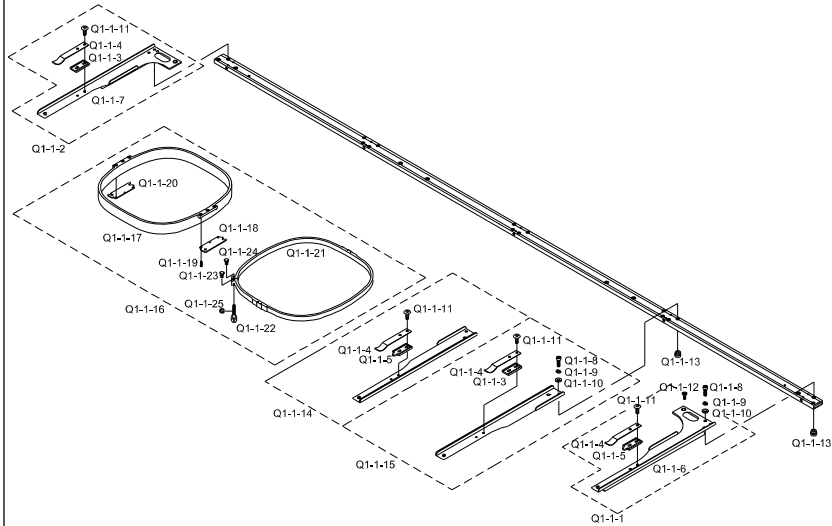
Note

Ref.No	PartNo.	PartName	Application date	Interchangeability	Hardware	Qty	Remarks
P-4-1	GP-044079-00	Beam Bracket Cover(L)		X		1	
P-4-2	GP-044080-00	Beam Bracket Cover(R)		X		1	
P-4-3	02044SC-3123	Truss Screw (M5*L8)			O	17	
P-4-4	02054PR-A001	Main Motor Pulley Cover	~ 2011.04.27			1	
	LUP-BJ000400		2011.04.28 ~				
P-4-5	02044SC-3123	Truss Screw (M5*L8)	~ 2009.07.28		O	1	
	PSC-BH000200		2009.07.29 ~		O		
P-4-6	02101ET-UK01	Brand Mark	~ 2008.11.04			1	
	GP-044018-00		2008.11.05 ~				
P-4-7	02002SC-7119	Plus Screw (M4*L8)	~ 2010.12.30		O	4	
	PSC-BB002100		2010.12.31 ~		O		
P-4-8	GP-009011-00	Body Side Cover	~ 2009.04.28	X		2	
	GP-009011-01		2009.04.29 ~	△			
P-4-9	02044SC-3123	Truss Screw (M5*L8)	~ 2009.07.28		O	4	
	PSC-BH000200		2009.07.29 ~		O		
P-4-10	01022RB-UK01	Body Base Cover				4	
P-4-11	02097ET-B001	Model Name Plate (UK1204)	~ 2008.06.02			1	
	GP-014763-02		2008.06.03 ~ 2009.10.08				
P-4-12	GP-014763-03	Model Name Plate (UK1206)	2009.10.09 ~			1	
	02097ET-B001		~ 2008.06.02				
P-4-13	GP-014763-02	Model Name Plate (15C) (UH1506C)	2008.06.03 ~ 2009.10.08			1	
	GP-014763-03		2009.10.09 ~				
P-4-14	02010SC-3123	Truss Screw (M4*L8)	2010.05.27 ~		O	4	
	PSC-BH001100		2010.05.28 ~		O		
P-4-15	GP-008131-00	MODEL MARK (C-UK1204-45) (UK1204)		X		1	
	GP-008131-01			△			
	GP-008131-02			△			
	GP-008131-03			△			
P-4-16	GP-008152-00	Model Mark (C-UK1206-45) (UK1206)		X		1	
P-4-17	GP-008129-00	Model Mark (C-UH1206C-45) (UH1506C)		X		1	
P-4-18	GP-008125-00	Model Mark (C-UH1506C-45) (UH1506C)		X		1	

Tubular Frame



Q1-1

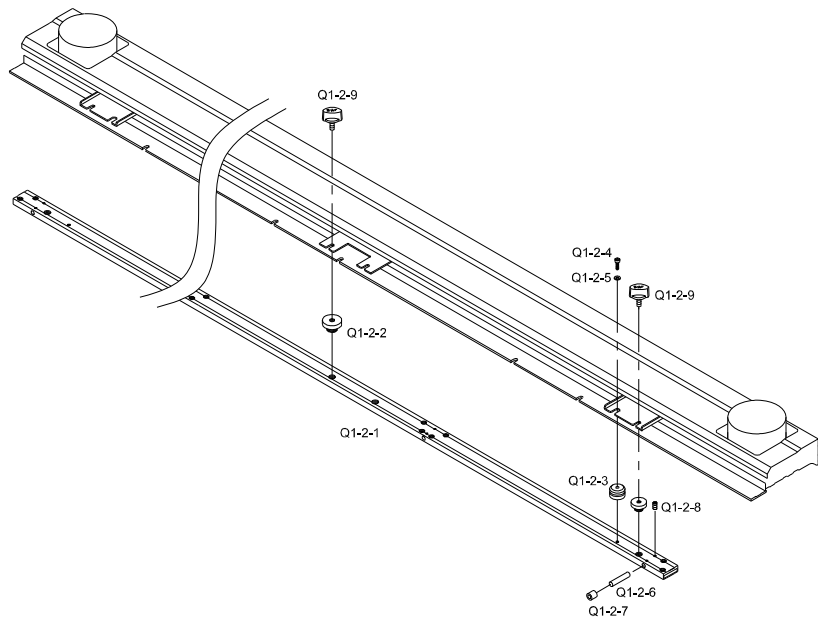


Ref.No	PartNo.	PartName	Application date	Interchangeability	Hardware	Qty	Remarks
Q1-1-1	09100000U000	Attachment (R)				1	
Q1-1-2	09200000U000	Attachment (L)				1	
Q1-1-3	22003PM-T121	Clip Bracket (L)				4	
Q1-1-4	22005PR-T121	Clip				8	
Q1-1-5	22004PM-T121	Clip Bracket (R)				4	
Q1-1-6	09100100U000	Attachment (R)				1	
Q1-1-7	09200100U000	Attachment (L)				1	
Q1-1-8	02015SC-7113	Hex.Socket Bolt(M4*L10)	~ 2009.09.28		O	16	
	PSC-AC007100		2009.09.29 ~		O		
Q1-1-9	18014SW-3115	Spring Washer (@4-No2)	~ 2009.07.28		O	16	
	PWS-CA000900		2009.07.29 ~		O		
Q1-1-10	18015SW-3111	Washer (4@)	~ 2009.06.07		O	16	
	PWS-AA001000		2009.06.08 ~		O		
Q1-1-11	09100200U000	Fixed Clip Bracket Screw				16	
Q1-1-12	02002SC-7119	Plus Screw (M4*L8)	~ 2010.12.30		O	2	
	PSC-BB002100		2010.12.31 ~		O		
Q1-1-13	GP-010408-00	SCREW BUSH C			X	32	
Q1-1-14	09100410U000	Attachment (Set-L)	~ 2010.03.17			3	
	AS-016940-00		2010.03.18 ~				
Q1-1-15	09100510U000	Attachment (Set-R)	~ 2010.03.17			3	
	AS-016941-00		2010.03.18 ~				
Q1-1-16	22038BM-UK01	Tubular Set	~ 2005.09.05			8	
	AS-003332-00		2005.09.06 ~				
Q1-1-17	22038PM-UK01	Tubular (Inner) 45*44				8	
Q1-1-18	17014PR-UK01	Tubular Holder "A"	~ 2010.04.11			8	
	GP-049131-00		2010.04.12 ~				
Q1-1-19	10011SC-8119	Plus Screw (M3*L6)	~ 2011.05.18		O	48	
	SC-000533-00		2011.05.19 ~		O		
	PSC-BB003600		2012.03.27 ~		O		
Q1-1-20	17015PR-UK01	Tubular Holder "B"	~ 2010.04.11			8	
	GP-049132-00		2010.04.12 ~				
Q1-1-21	22043PM-UK01	Tubular (Outer) 45*44				8	
Q1-1-22	22044CW-UK01	Adjusting Bolt				8	
Q1-1-23	22045CW-UK01	Adjusting Bolt Guide				8	
Q1-1-24	22046CW-UK01	Adjusting Nut				8	
Q1-1-25	15159SR-4013	E-Ring (3@)	~ 2011.12.26		O	8	
	PSR-AC002300		2011.12.27 ~		O		

Note

Q1

Q1-2

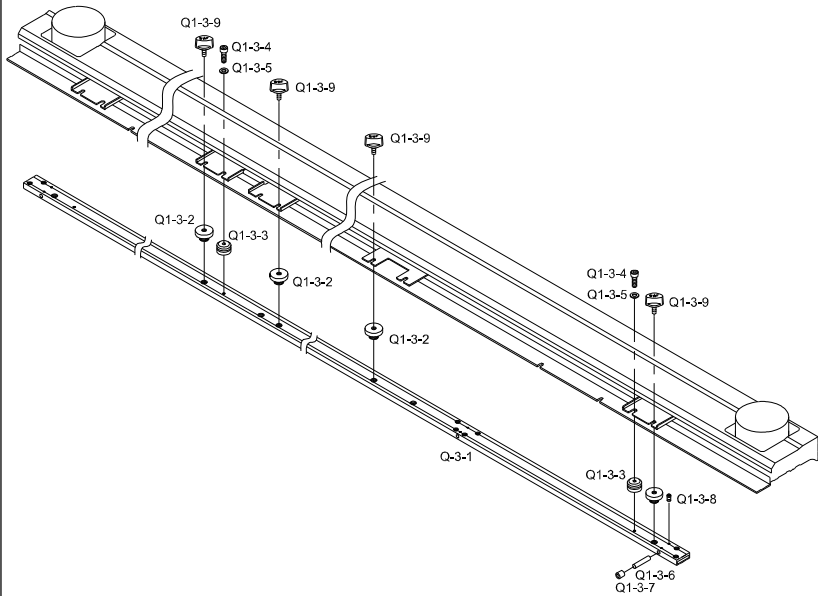


Ref.No	PartNo.	PartName	Application date	Interchangeability	Hardware	Qty	Remarks
Q1-2-1	GP-010469-00	Tubular Frame	~ 2006.09.03	X		1	
	GP-010469-01		2006.09.04 ~	△			
Q1-2-2	22002CW-UK01	Screw Bush "A"				6	
Q1-2-3	22003CW-UK01	Location Block				2	
Q1-2-4	11029SC-4113	Hex. Socket Bolt (M4*L20)	~ 2009.07.28		O	2	
	PSC-AC005000		2009.07.29 ~		O		
Q1-2-5	05009SW-1111	Washer (@4-L)	~ 2011.02.24		O	2	
	PWS-AA004400		2011.02.25 ~		O		
Q1-2-6	22007BR-UK01	Bearing Pin				5	
Q1-2-7	22009BR-UK01	Needle Bearing (Taf51010)			O	5	
Q1-2-8	03022SC-4517	Hex. Socket Set Screw (M4*L5)	~ 2009.08.27		O	10	
	PSC-CB000600		2009.08.28 ~		O		
Q1-2-9	09000100U000	Tubular Frame Fixing Screw	~ 2008.09.04			6	
	SC-000414-00		2008.09.05 ~ 2010.04.07				
	SC-000414-01		2010.04.08 ~				

Note

Q1

Q1-3

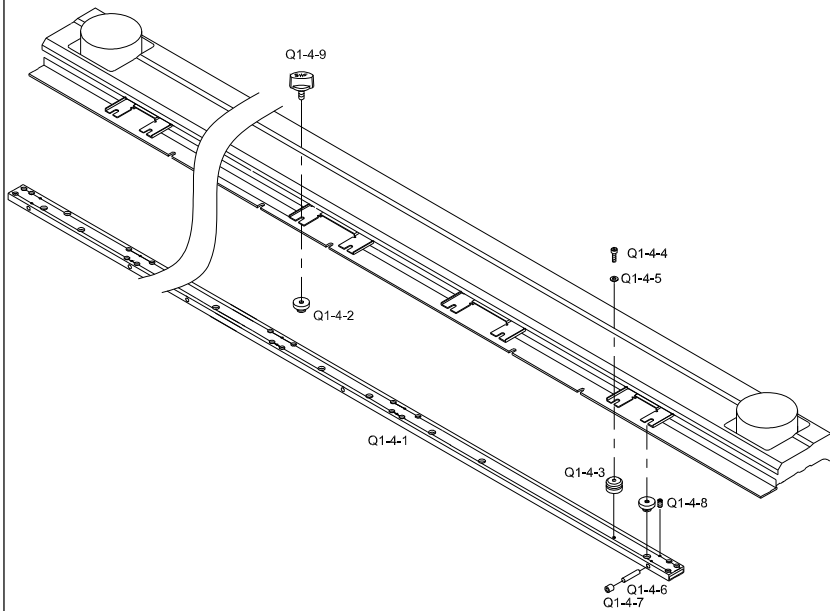


Ref.No	PartNo.	PartName	Application date	Interchangeability	Hardware	Qty	Remarks
Q1-3-1	22001AD-UK06	Tubular Frame L=3000	~ 2006.09.03			1	
	GP-021214-00		2006.09.04 ~				
Q1-3-2	22002CW-UK01	Screw Bush "A"				9	
Q1-3-3	22003CW-UK01	Location Block				3	
Q1-3-4	11029SC-4113	Hex. Socket Bolt (M4*L20)	~ 2009.07.28		O	3	
	PSC-AC005000		2009.07.29 ~		O		
Q1-3-5	05009SW-1111	Washer (@4-L)	~ 2011.02.24		O	3	
	PWS-AA004400		2011.02.25 ~		O		
Q1-3-6	22007BR-UK01	Bearing Pin				7	
Q1-3-7	22009BR-UK01	Needle Bearing (Taf51010)			O	7	
Q1-3-8	03022SC-4517	Hex. Socket Set Screw (M4*L5)	~ 2009.08.27		O	14	
	PSC-CB000600		2009.08.28 ~		O		
Q1-3-9	09000100U000	Tubular Frame Fixing Screw	~ 2008.09.04			9	
	SC-000414-00		2008.09.05 ~ 2010.04.07				
	SC-000414-01		2010.04.08 ~				

Note

Q1

Q1-4

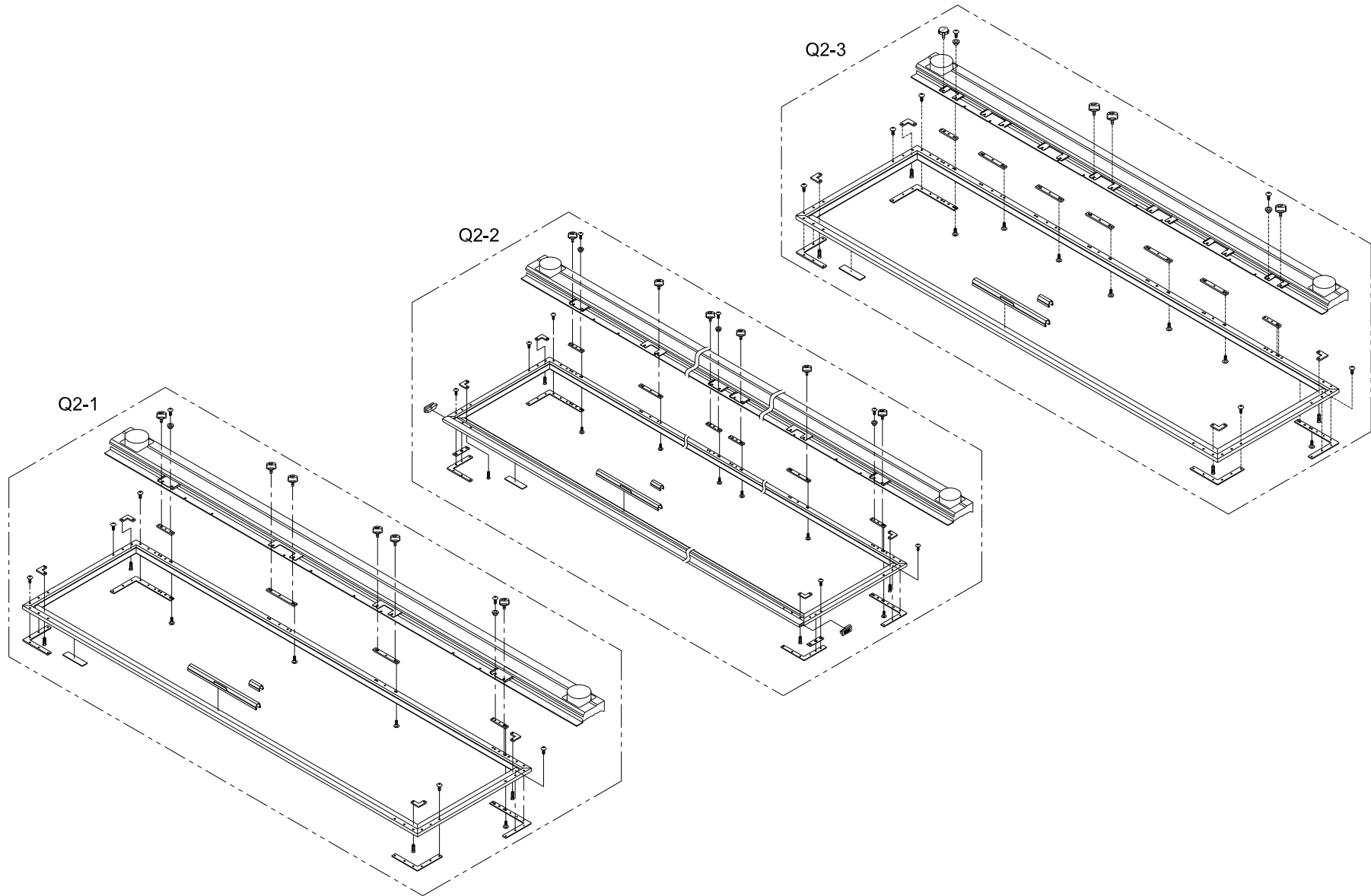


Ref.No	PartNo.	PartName	Application date	Interchangeability	Hardware	Qty	Remarks
Q1-4-1	08100100UH60	Tubular Frame L2404	~ 2006.11.30			1	
	GP-021211-00		2006.12.01 ~				
Q1-4-2	22002CW-UK01	Screw Bush "A"				10	
Q1-4-3	22003CW-UK01	Location Block				2	
Q1-4-4	11029SC-4113	Hex. Socket Bolt (M4*L20)	~ 2009.07.28		O	2	
	PSC-AC005000		2009.07.29 ~		O		
Q1-4-5	05009SW-1111	Washer (@4-L)	~ 2011.02.24		O	2	
	PWS-AA004400		2011.02.25 ~		O		
Q1-4-6	22007BR-UK01	Bearing Pin				7	
Q1-4-7	22009BR-UK01	Needle Bearing (Taf51010)				7	
Q1-4-8	03022SC-4517	Hex. Socket Set Screw (M4*L5)	~ 2009.08.27		O	14	
	PSC-CB000600		2009.08.28 ~		O		
Q1-4-9	09000100U000	Tubular Frame Fixing Screw	~ 2008.09.04			10	
	SC-000414-00		2008.09.05 ~ 2010.04.07				
	SC-000414-01		2010.04.08 ~				

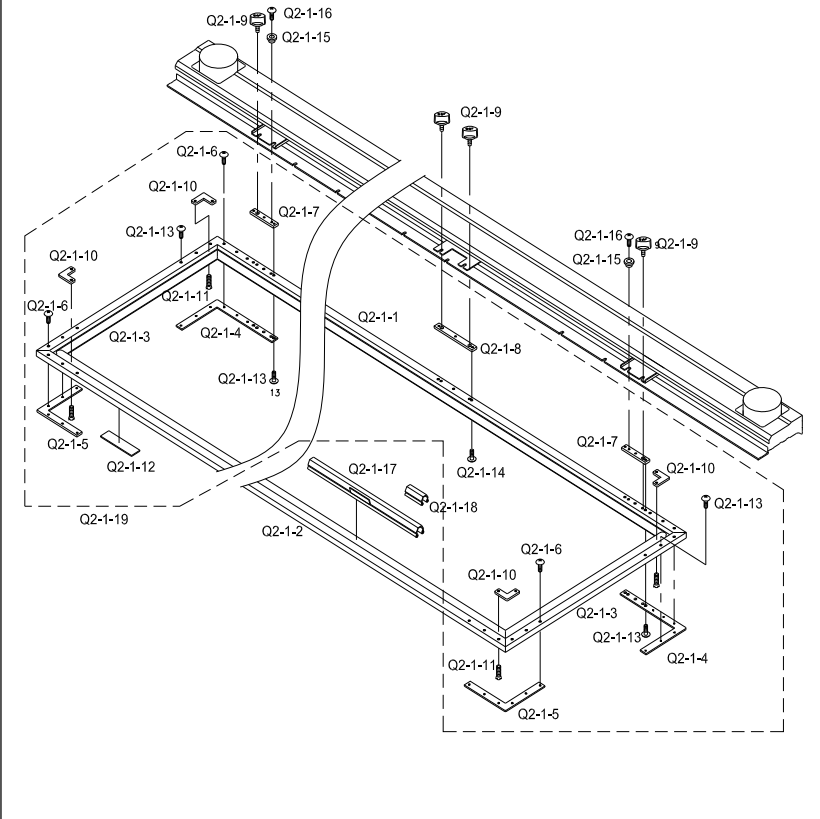
Note

Q1

Border Frame



Q2-1

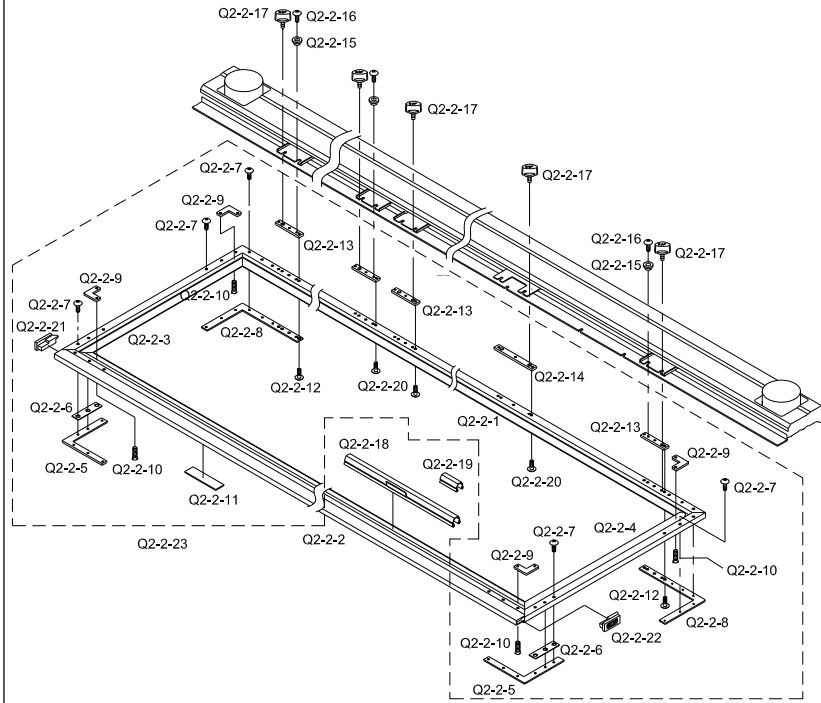


Note

Ref.No	PartNo.	PartName	Application date	Interchangeability	Hardware	Qty	Remarks
Q2-1-1	08300100UK40	Rear Border Frame A	~ 2009.03.24			1	
	GP-045566-00		2009.03.25 ~				
Q2-1-2	24006AD-UK01	Front Border Frame B	~ 2009.03.24			1	
	GP-045555-00		2009.03.25 ~				
Q2-1-3	24007AD-UK01	Border Frame Sash C	~ 2017.11.19			2	
	GP-045564-01		2017.11.20 ~				
Q2-1-4	24004PR-UK02	Connecting Plate "E"				2	
Q2-1-5	24004PR-UK01	Connecting Plate "F"				2	
Q2-1-6	02044SC-3123	Truss Screw (M5*L8)			O	24	
Q2-1-7	24008PR-UK02	Square Frame Fixing Plate A			O	2	
Q2-1-8	24011PR-UK02	Square Frame Fixing Plate B				2	
Q2-1-9	09000100U000	Tubular Frame Fixing Screw	~ 2008.09.04			6	
	SC-000414-00		2008.09.05 ~ 2010.04.07				
	SC-000414-01		2010.04.08 ~				
Q2-1-10	24011PR-T121	Connecting Plate "C"				4	
Q2-1-11	10010SC-8119	Plus Screw (M3*L5)	~ 2009.10.28		O	8	
	PSC-BB001200		2009.10.29 ~		O		
Q2-1-12	24016SF-T121	Felt				19	
Q2-1-13	02010SC-3123	Truss Screw (M4*L8)	~ 2010.05.27		O	6	
	PSC-BH001100		2010.05.28 ~		O		
Q2-1-14	15042SC-3123	Truss Screw (M4*L6)	~ 2010.03.30		O	6	
	PSC-BH000600		2010.03.31 ~		O		
Q2-1-15	18025PM-UK01	Location Block				2	
Q2-1-16	18153SC-3123	Plus Screw (M4*L10)	~ 2009.10.28			2	
	PSC-BH000700		2009.10.29 ~				
Q2-1-17	18084PR-A001	Embroidery Frame Clip	~ 2006.09.20			10	
	GP-021043-00		2006.09.21 ~ 2007.09.13				
	GP-021043-01		2007.09.14 ~				
	18085PR-A001		~ 2006.09.20			6	
	GP-021042-00		2006.09.21 ~ 2007.09.13				
	GP-021042-01		2007.09.14 ~				
Q2-1-18	18085PR-T121	Embroidery Frame Clip L,220	~ 2006.09.20			2	
	GP-021354-00		2006.09.21 ~ 2007.09.13				
	GP-021354-01		2007.09.14 ~				
Q2-1-18	18086PR-B001	Frame Clip Support				36	
Q2-1-19	AS-015503-00	Border Frame Assy		X		1	

Q2

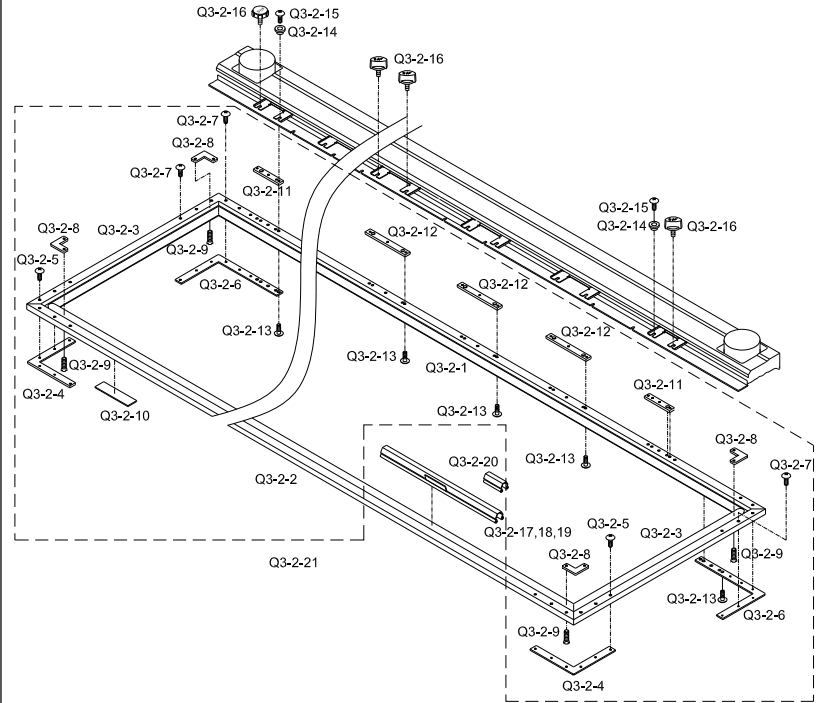
Q2-2



Note

Ref.No	PartNo.	PartName	Application date	Interchangeability	Hardware	Qty	Remarks
Q2-2-1	24001AD-UK06	Square Frame (A)	~ 2017.11.19			1	
	GP-045567-01		2017.11.20 ~				
Q2-2-2	24004AD-UK06	Square Frame (B) L=3152	~ 2009.03.24			1	
	GP-045559-00		2009.03.25 ~				
Q2-2-3	24007AD-UK06	Square Frame (D) L=583				1	
Q2-2-4	24006AD-UK06	Square Frame (C) L=583	~ 2017.11.19			1	
	GP-045564-01		2017.11.20 ~				
Q2-2-5	24008PR-UK06	Connecting Plate (F)				2	
Q2-2-6	24005PR-UK06	Frame Space				2	
Q2-2-7	02044SC-3123	Truss Screw (M5*L8)	~ 2009.07.28		O	24	
	PSC-BH000200		2009.07.29 ~		O		
Q2-2-8	24004PR-UK02	Connecting Plate "E"				2	
Q2-2-9	24011PR-T121	Connecting Plate "C"				4	
Q2-2-10	10010SC-8119	Plus Screw (M3*L5)	~ 2009.10.28		O	8	
	PSC-BB001200		2009.10.29 ~		O		
Q2-2-11	24016SF-T121	Felt				23	
Q2-2-12	15042SC-3123	Truss Screw (M4*L6)	~ 2010.03.30		O	6	
	PSC-BH000600		2010.03.31 ~		O		
Q2-2-13	24008PR-UK02	SQUARE FRAME Fixing PLATE A				4	
Q2-2-14	24011PR-UK02	SQUARE FRAME Fixing PLATE B				2	
Q2-2-15	18025PM-UK01	Location Block				3	
Q2-2-16	18153SC-3123	Plus Screw (M4*L10)	~ 2009.10.28		O	3	
	PSC-BH000700		2009.10.29 ~		O		
Q2-2-17	09000100U000	Tubular Frame Fixing Screw	~ 2008.09.04			9	
	SC-000414-00		2008.09.05 ~ 2010.04.07				
	SC-000414-01		2010.04.08 ~				
Q2-2-18	18084PR-A001	Embroidery Frame Clip L,300	~ 2006.09.20			16	
	GP-021043-00		2006.09.21 ~ 2007.09.13				
	GP-021043-01		2007.09.14 ~				
	18085PR-A001	Embroidery Frame Clip	~ 2006.09.20			6	
	GP-021042-00		2006.09.21 ~ 2007.09.13				
	GP-021042-01		2007.09.14 ~				
Q2-2-19	18085PR-T121	Embroidery Frame Clip L,220	~ 2006.09.20			2	
	GP-021354-00		2006.09.21 ~ 2007.09.13				
	GP-021354-01		2007.09.14 ~				
Q2-2-19	18086PR-B001	Frame Clip Support				48	
Q2-2-20	02010SC-3123	Truss Screw (M4*L8)	~ 2010.05.27		O	12	
	PSC-BH001100		2010.05.28 ~		O		
Q2-2-21	24026RB-UK06	Rubber Cap (L)				1	
Q2-2-22	24027RB-UK06	Rubber Cap (R)				1	
Q2-2-23	AS-015545-00	Square Frame Assy		X		1	

Q2-3



Note

Ref.No	PartNo.	PartName	Application date	Interchangeability	Hardware	Qty	Remarks
Q2-3-1	08300100UH00	Square Frame "A" L=2544				1	
Q2-3-2	08300200UH00	Square Frame "B" L=2544				1	
Q2-3-3	24007AD-UK01	Border Frame Sash L=575				2	
Q2-3-4	24004PR-UK01	Connecting Plate "F"				2	
Q2-3-5	02044SC-3123	Truss Screw (M5*L8)	~ 2009.07.28		O	12	
	PSC-BH000200		2009.07.29 ~		O		
Q2-3-6	08300300UH00	Connect Plate (E)				2	
Q2-3-7	02044SC-3123	Truss Screw (M5*L8)	~ 2009.07.28		O	12	
	PSC-BH000200		2009.07.29 ~		O		
Q2-3-8	24011PR-T121	Connecting Plate "C"				4	
Q2-3-9	10010SC-8119	Plus Screw (M3*L5)	~ 2009.10.28		O	8	
	PSC-BB001200		2009.10.29 ~		O		
Q2-3-10	24016SF-T121	Felt				19	
Q2-3-11	24008PR-UK02	Square Frame Fixing Plate A				2	
Q2-3-12	24011PR-UK02	Square Frame Fixing Plate B				4	
Q2-3-13	15042SC-3123	Truss Screw (M4*L6)	~ 2010.03.30		O	18	
	PSC-BH000600		2010.03.31 ~		O		
Q2-3-14	18025PM-UK01	Location Block				2	
Q2-3-15	18153SC-3123	Plus Screw (M4*L10)	~ 2009.10.28		O	2	
	PSC-BH000700		2009.10.29 ~		O		
Q2-3-16	09000100U000	Tubular Frame Fixing Screw				8	
Q2-3-17	18084PR-A001	Embroidery Frame Clip L,300	~ 2006.09.20			16	
	GP-021043-00		2006.09.21 ~ 2007.09.13				
	GP-021043-01		2007.09.14 ~				
Q2-3-18	18085PR-A001	Embroidery Frame Clip	~ 2006.09.20			2	
	GP-021042-00		2006.09.21 ~ 2007.09.13				
Q2-3-19	18085PR-T121	Embroidery Frame Clip L,220	~ 2006.09.20			2	
	GP-021354-00		2006.09.21 ~ 2007.09.13				
Q2-3-20	18086PR-B001	Frame Clip Support	~ 2006.09.20			36	
	GP-021354-01		2007.09.14 ~				
Q2-3-21	AS-015504-00	Square Frame Assy		X		1	

Q2