

PARTS BOOK

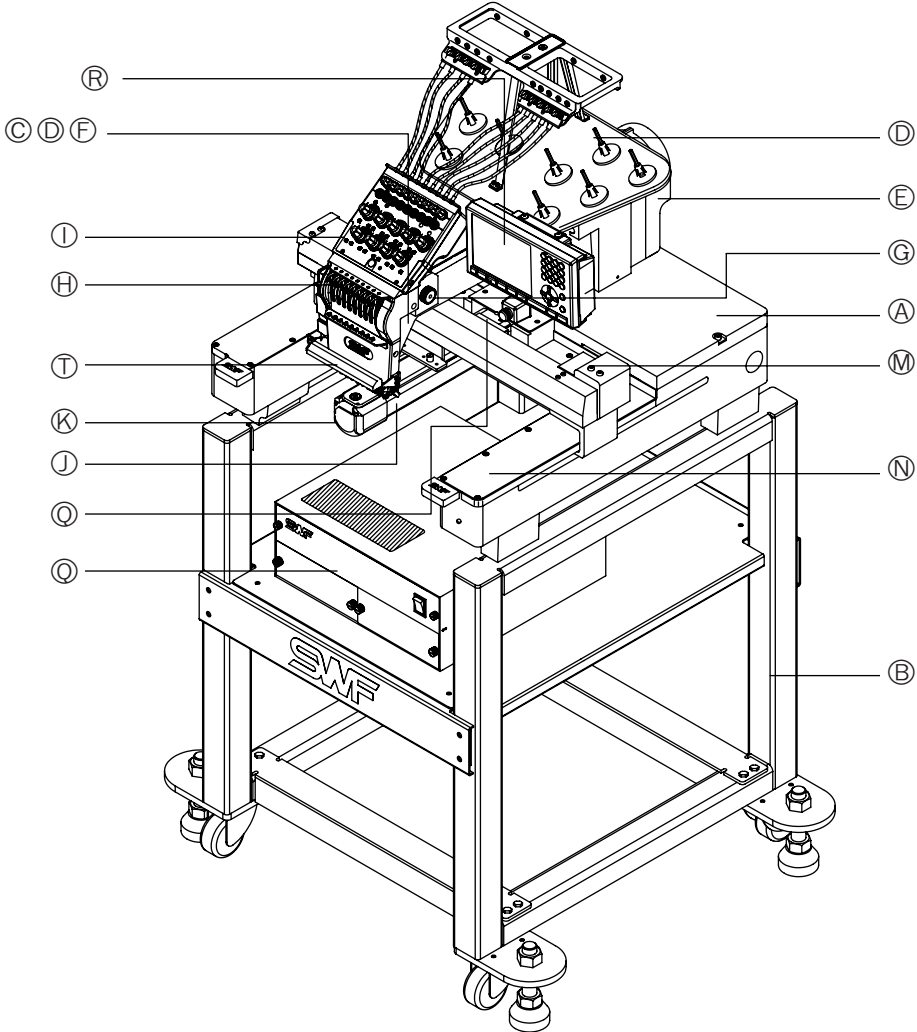


**SINGLE-HEAD AUTOMATIC
EMBROIDERY MACHINE
(NEW COMPACT TYPE)**



PME-060323

SUNSTAR PRECISION CO., LTD.





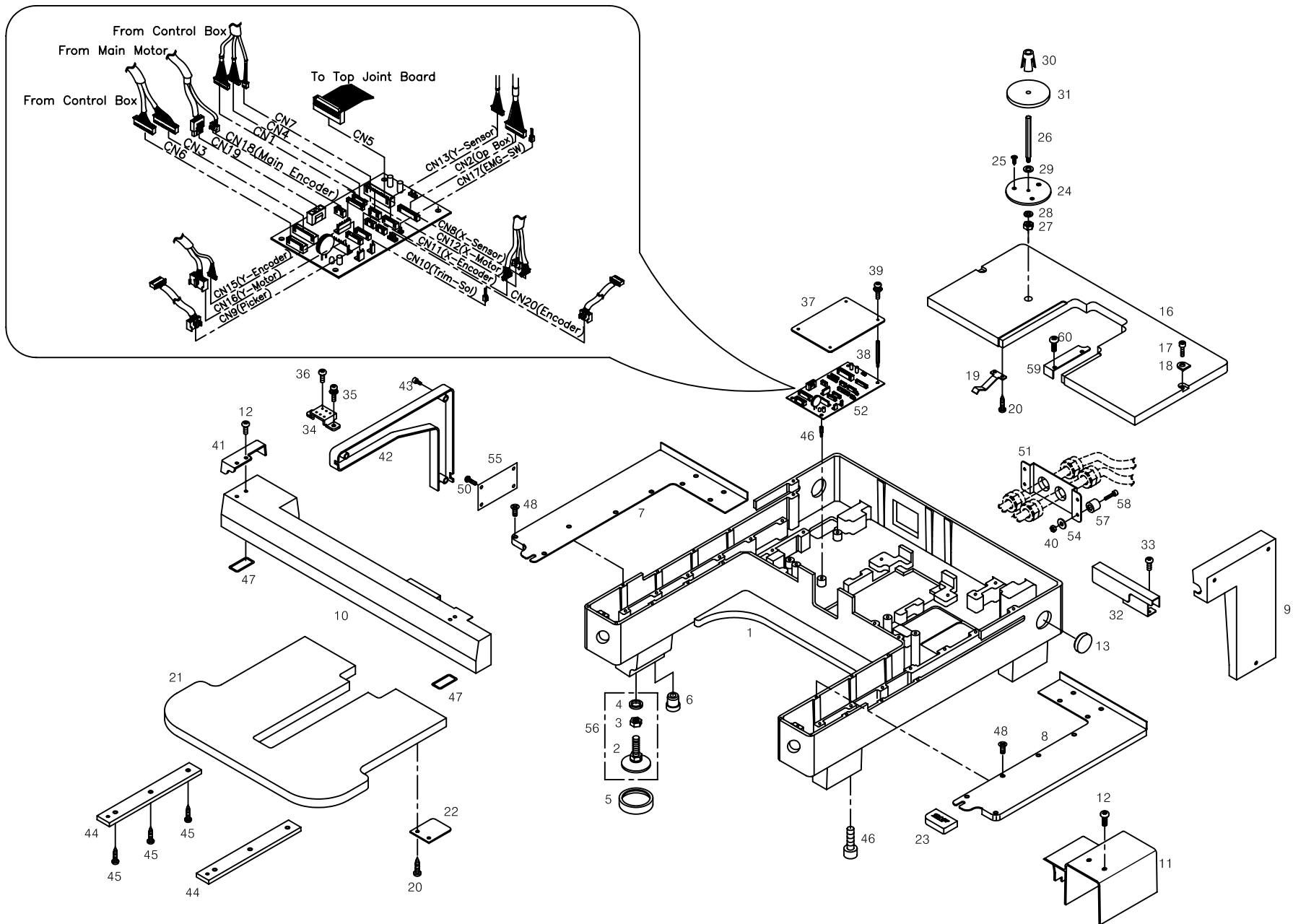
CONTENT

| | | |
|-----------|------------------------|----|
| A | Base & Table | 7 |
| B | Stand (Option) | 9 |
| C | Arm I | 11 |
| D | Arm II | 15 |
| E | Main Drive System | 17 |
| F | Wiper Set | 19 |
| G | Color Change Set | 21 |
| H | Head | 23 |
| I | Thread Tension Unit | 25 |
| J | Bed | 27 |
| K | Picker | 29 |
| L | Thread Cutting Set | 31 |
| M | X-Axis Drive Set | 33 |
| N | Y-Axis Drive Set | 35 |
| O | Spool Stand | 37 |
| P | Border & Tubular Frame | 39 |
| Q | Main Controller | 41 |
| Q1 | Main Controller Cable | 43 |
| R | Operation Unit | 45 |
| R1 | Oper: | 47 |
| S | Lubrication | 51 |
| T | Lamp | 53 |

※ 본책자는 파트북으로 제작되었으므로 메뉴얼로 사용불가합니다.
(This is a parts book. It cannot be used as a manual.)

A

Base & Table

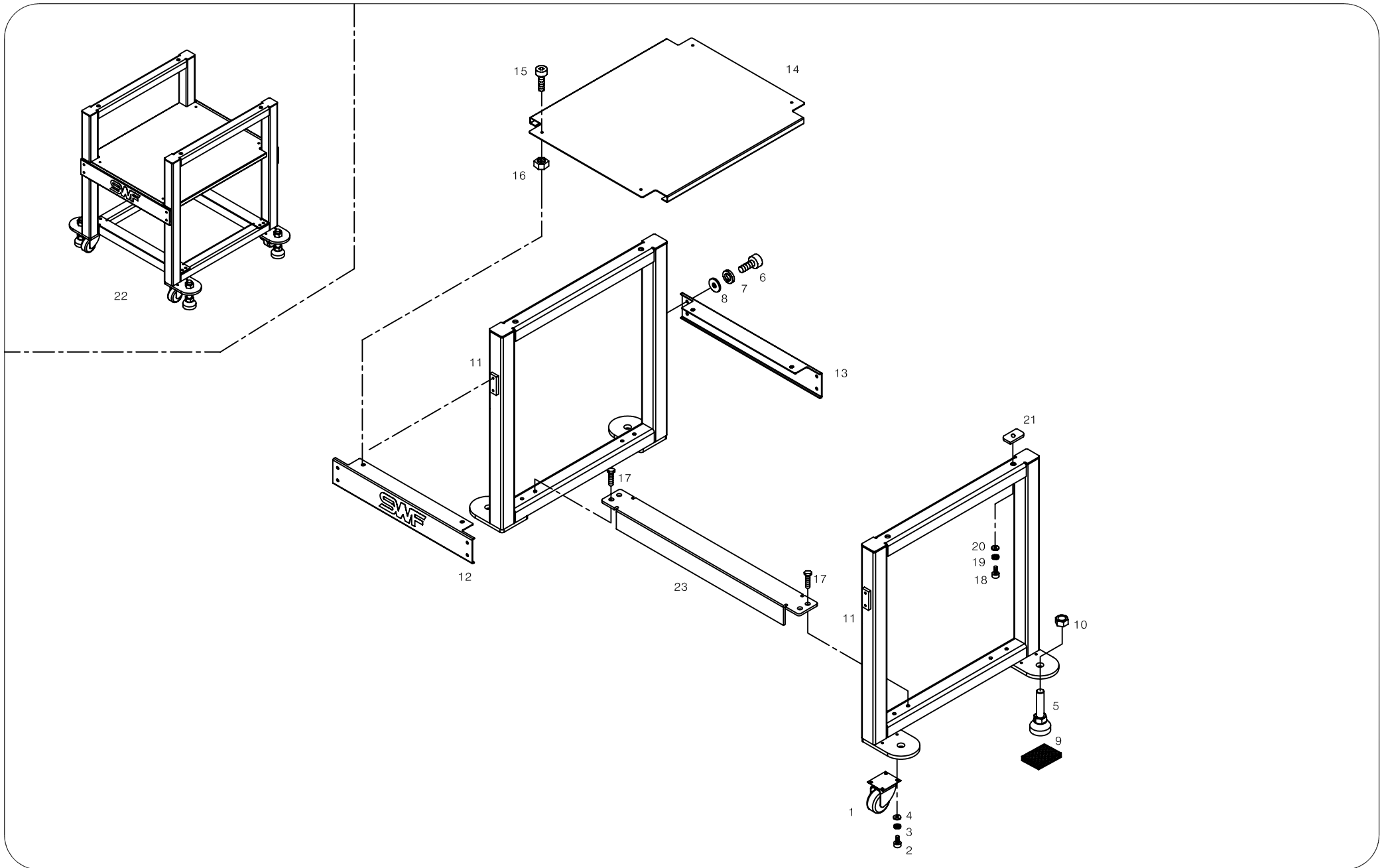


| Ref.No | Part No. | Part Name | Q'ty |
|--------|--------------|--------------------------------|------|
| A-001 | GP-013363-00 | Base | 1 |
| A-002 | 01002SC-T121 | Body Bolt Set | 4 |
| A-003 | 14033SN-8211 | Hex.Nut (M12-No2) | 4 |
| A-004 | 14032SW-3115 | SPRING WASHER (12@) | 4 |
| A-005 | 01005RB-CT01 | Base Support Bolt Rubber | 4 |
| A-006 | 01006RB-CT01 | Base Support Rubber | 4 |
| A-007 | GP-013360-00 | Base Cover (L) | 1 |
| A-008 | GP-013361-00 | Base Cover (R) | 1 |
| A-009 | GP-015089-00 | Cable Cover B | 1 |
| A-010 | 02009LA-CT01 | X-Driving Belt Cover | 1 |
| A-011 | GP-013368-01 | X-Driving Motor Cover | 1 |
| A-012 | 18153SC-3123 | Plus Screw (M4*L10) | 4 |
| A-013 | 02012RB-CT01 | Y-Driving Shaft Cover | 2 |
| A-016 | GP-013348-01 | Table (A) Compact | 1 |
| A-017 | 08091SC-7113 | HEX. SOCKET BOLT (M6*L20) | 2 |
| A-018 | 17003PR-CT01 | Table Washer | 2 |
| A-019 | 14002PR-T121 | Table Holder Plate "A" | 2 |
| A-020 | 19002SC-1330 | Tapping Screw (4*L16-No1) | 8 |
| A-021 | 17006TA-CT01 | Table (B) Compact | 1 |
| A-022 | 14006PR-T121 | Table Support Plate (R) | 2 |
| A-023 | 02019RB-CT01 | Base Cover Safty Rubber | 2 |
| A-024 | 25035PR-CT01 | Supporter For Spool | 1 |
| A-025 | 17012SC-8329 | Hex. Socket Set Screw (M4*L16) | 3 |
| A-026 | 12009SC-A001 | Spool Post | 1 |
| A-027 | 12010SN-1211 | Hex.Nut (M5) | 1 |
| A-028 | 18048SW-3115 | SPRING WASHER (5@) | 1 |
| A-029 | 18049SW-3111 | WASHER (@5) | 1 |
| A-030 | 12012PM-A001 | Spool Holder | 1 |
| A-031 | 12052SF-A001 | Spool Sponge | 1 |
| A-032 | 01007PR-CT01 | Cable Guide "C" | 1 |
| A-033 | 18153SC-3123 | Plus Screw (M4*L10) | 2 |
| A-034 | 01010PR-CT01 | Bus Bar | 1 |
| A-035 | 01011SC-9134 | Scrww (M4*L8) | 2 |
| A-036 | 18154SC-9134 | Plus Screw (M3*L8) | 6 |
| A-037 | 01013ET-CT01 | Cable Guard Plate | 1 |
| A-038 | 20036SC-T121 | Cover Stud | 4 |
| A-039 | 18154SC-9134 | Plus Screw (M3*L8) | 4 |
| A-040 | 15029SN-3211 | Hex. Nut (M4-No2) | 4 |
| A-041 | 02020PM-CT01 | X-Driving Belt Shafty Cover | 1 |
| A-042 | 02021PM-CT01 | Cable Cover | 1 |
| A-043 | 02015SC-7113 | HEX.SOCKET BOLT(M4*L10) | 3 |

| Ref. No | Part No. | Part Name | Q'ty |
|---------|--------------|-------------------------------|------|
| A-044 | GP-005629-00 | TABLE SUPPORT PLATE (L) | 1 |
| | GP-005628-00 | TABLE SUPPORT PLATE (R) | 1 |
| A-045 | 17012SC-8329 | Hex. Socket Set Screw(M4*L16) | 6 |
| A-046 | 11049SC-A001 | Board Stud Bolt | 4 |
| A-047 | 02022RB-CT01 | X-Cover Rubber | 2 |
| A-048 | 15089SC-7119 | C.S SCREW (M4*L10) | 14 |
| A-050 | 02010SC-3123 | Truss Screw (M4*L8) | 4 |
| A-051 | GP-015728-02 | Connector Holder | 1 |
| A-052 | BD-000295-01 | Joint Board Ass'Y | 1 |
| A-054 | 01000200C000 | Connector Holder Washer | 4 |
| A-055 | 08000102C010 | MODEL NAME PLATE (6C) | 1 |
| | 08000103C010 | MODEL NAME PLATE (9C) | |
| | 08000104C010 | MODEL NAME PLATE (12C) | |
| | 08000105C010 | MODEL NAME PLATE (15C) | |
| A-056 | 01002BM-T121 | BODY SUPPORT BOLT (SET) | 4 |
| A-057 | 01000210C000 | CONNECT HOLDER SPACE | 4 |
| A-058 | 11029SC-4113 | HEX. SOCKET BOLT (M4*L20) | 4 |
| A-059 | GP-013350-01 | Table A Cover (R) | 1 |
| A-060 | 18153SC-3123 | Plus Screw | 4 |
| | | | |
| | | | |
| | | | |
| | | | |
| | | | |
| | | | |
| | | | |
| | | | |
| | | | |
| | | | |
| | | | |
| | | | |
| | | | |
| | | | |
| | | | |
| | | | |
| | | | |
| | | | |
| | | | |
| | | | |
| | | | |
| | | | |
| | | | |
| | | | |
| | | | |
| | | | |
| | | | |
| | | | |

B

Stand (Option)

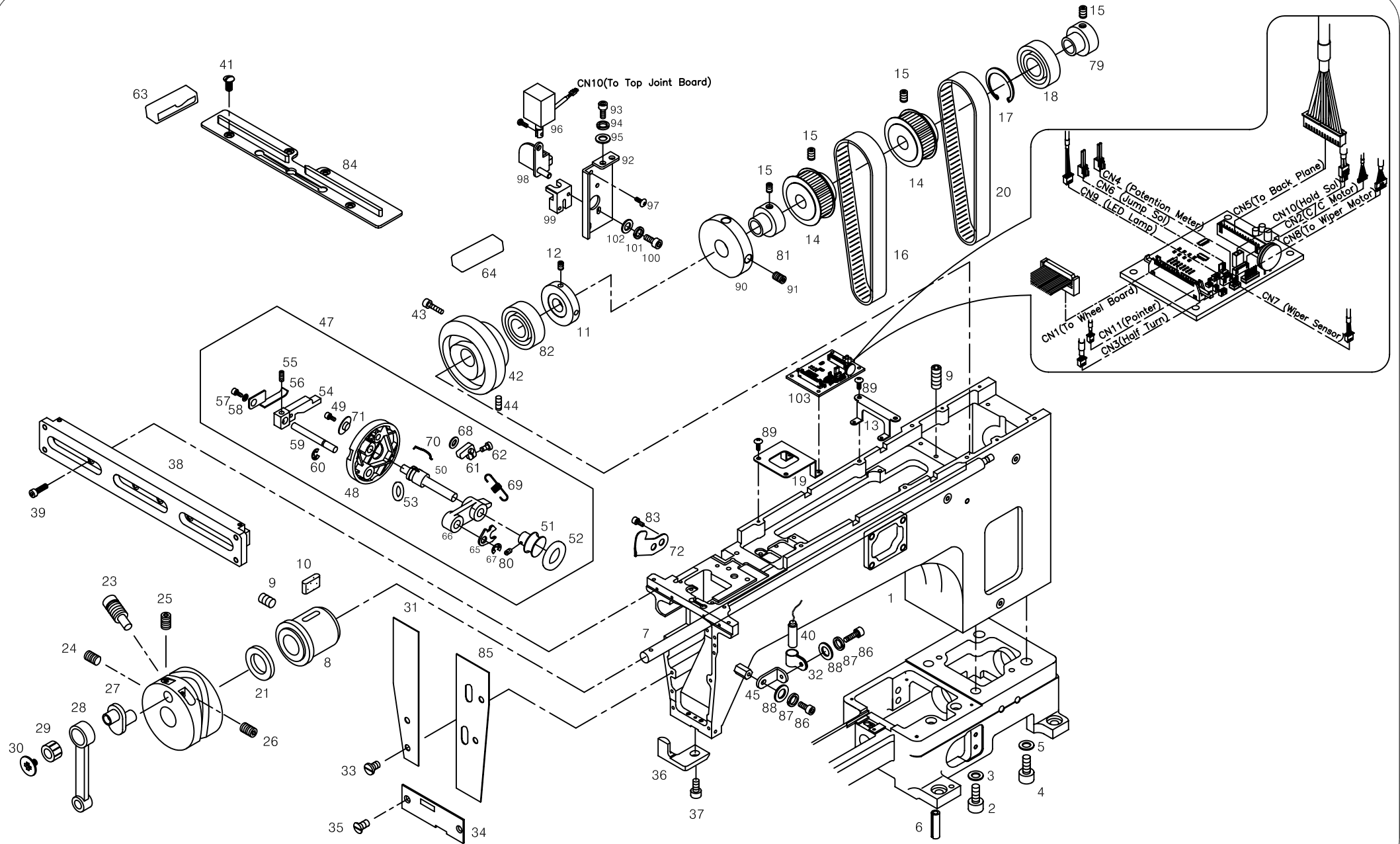


| Ref.No | Part No. | Part Name | Q'ty |
|--------|--------------|------------------------------|------|
| B-001 | 24007AF-T121 | Hammer Caster Set (Rubber) | 4 |
| B-002 | 08035SC-7113 | HEX. SOCKET BOLT (M6*L10) | 16 |
| B-003 | 16014SW-4115 | Spring Washer (@6) | 16 |
| B-004 | 08057SW-1111 | Washer (@6) | 16 |
| B-005 | 26012BM-T121 | Bolt Set | 4 |
| B-006 | 08091SC-7113 | HEX. SOCKET BOLT (M6*L20) | 8 |
| B-007 | 16014SW-4115 | Spring Washer (@6) | 8 |
| B-008 | 08057SW-1111 | Washer (@6) | 8 |
| B-009 | 01017RB-T121 | Rubber | 4 |
| B-010 | 02036SN-7211 | HEX. NUT (M20-NO2) | 4 |
| B-011 | AS-003794-00 | STAND FRAME | 2 |
| B-012 | GP-014479-00 | STAND CONNECTING BRACKET (F) | 1 |
| B-013 | 26102PR-CT01 | STAND CONNECTING BRACKET (R) | 1 |
| B-014 | 26103PR-CT01 | STAND TABLE (MIDDLE) | 1 |
| B-015 | 06010SC-7111 | TRUSS SCREW (M6*L10) | 4 |
| B-016 | 06000MN-3111 | KNURLED HEX.NUT(M6) | 4 |
| B-017 | 08015MC-7111 | HEX.BOLT(M8*L15) | 4 |
| B-018 | 12035MC-4113 | HEX.SOCKET BOL (M12*L35) | 4 |
| B-019 | 14032SW-3115 | SPRING WASHER (12@) | 4 |
| B-020 | 14031SW-4111 | WASHER (@12) | 4 |
| B-021 | 26026RB-CT01 | BASE SUPPORTING RUBBER | 4 |
| B-022 | 26001BM-CT01 | STAND ASS'Y | 1 |
| B-023 | GP-013535-00 | Stand Frame(D) | 2 |
| | | | |
| | | | |
| | | | |
| | | | |
| | | | |
| | | | |
| | | | |
| | | | |
| | | | |
| | | | |
| | | | |
| | | | |
| | | | |
| | | | |
| | | | |
| | | | |
| | | | |
| | | | |
| | | | |

| Ref. No | Part No. | Part Name | Q'ty |
|---------|----------|-----------|------|
| | | | |
| | | | |
| | | | |
| | | | |
| | | | |
| | | | |
| | | | |
| | | | |
| | | | |
| | | | |
| | | | |
| | | | |
| | | | |
| | | | |
| | | | |
| | | | |
| | | | |
| | | | |
| | | | |
| | | | |
| | | | |
| | | | |
| | | | |
| | | | |
| | | | |
| | | | |
| | | | |
| | | | |
| | | | |
| | | | |
| | | | |
| | | | |
| | | | |
| | | | |
| | | | |
| | | | |
| | | | |
| | | | |
| | | | |
| | | | |
| | | | |
| | | | |
| | | | |
| | | | |
| | | | |
| | | | |
| | | | |

C

Arm I

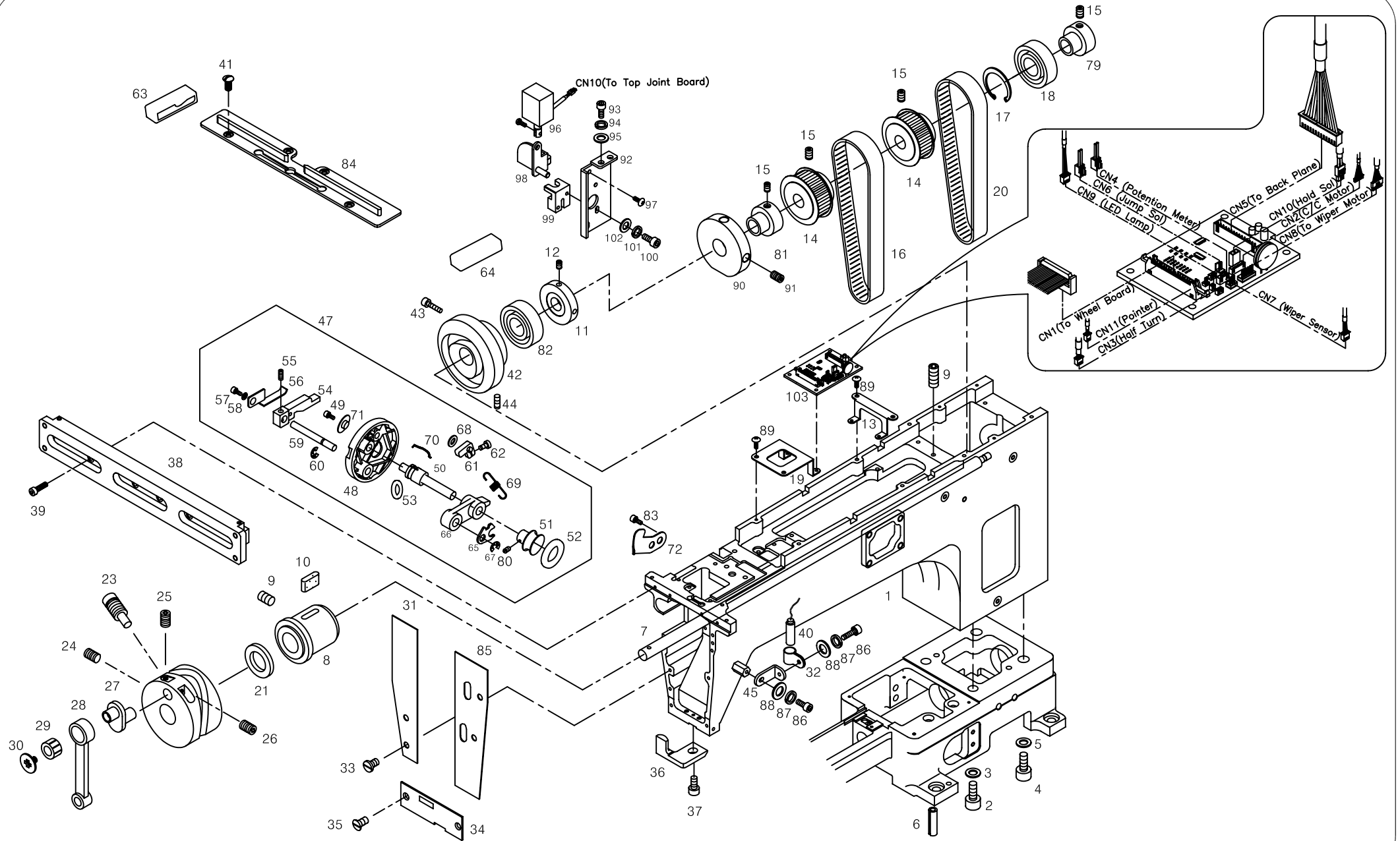


| Ref.No | Part No. | Part Name | Q'ty |
|--------|--------------|--------------------------------|------|
| C-001 | 01001CS-CT01 | Arm,Bed Set | 1 |
| C-002 | 16027SC-4113 | Hex. Socket Bolt (A)(M10*L36) | 2 |
| C-003 | WS-000104-00 | Washer (@10) | 2 |
| C-004 | 12035MC-4113 | Hex. Socket Bolt (B)(M12*L36) | 2 |
| C-005 | WS-000104-00 | Washer (@10) | 2 |
| C-006 | 01008ET-T121 | Spring Pin(@6*L30) | 2 |
| C-007 | 03002SH-CT01 | Upper Shaft | 1 |
| C-008 | 01012MP-T121 | Upper Shaft Bush (F) | 1 |
| C-009 | 03004SC-4517 | Screw (15/64" N=28 L=14) | 2 |
| C-010 | 01014SF-T121 | Felt | 2 |
| C-011 | GP-013375-00 | Bobbin Winder Wheel | 1 |
| C-012 | 04012AF-A001 | Screw | 2 |
| C-013 | GP-013329-00 | Fixing Bracket for Joint PCB-A | 1 |
| C-014 | 01005PU-T121 | Upper Shaft Timing Pulley | 2 |
| C-015 | 04012AF-A001 | Hook Shaft Bush Screw | 10 |
| C-016 | 01043BT-T121 | Timing Belt | 1 |
| C-017 | 03010SR-4013 | C-Ring (@47) | 1 |
| C-018 | 03013BR-T121 | Ball Bearing (6204Zz) | 1 |
| C-019 | GP-013330-00 | Fixing Bracket for Joint PCB-B | 1 |
| C-020 | 14015BT-CT01 | Timing Belt | 1 |
| C-021 | 01015PR-T121 | Washer | 1 |
| C-022 | 01016CM-T121 | Take-Up Lever Driver Cam | 1 |
| C-023 | 01017CW-T121 | Cam Screw (9/32"N=28 L=17) | 1 |
| C-024 | 01018SC-4515 | Cam Screw(A)(15/64"N=28 L=7.5) | 1 |
| C-025 | 01019SC-4515 | Screw (1/4" N=40 L=4.5) | 1 |
| C-026 | 04016AF-A001 | Cam Collar Screw | 1 |
| C-027 | 01020FH-T121 | Needle Bar Crank | 1 |
| C-028 | 01021FH-T121 | Crank Rod | 1 |
| C-029 | 01022BR-T121 | Needle Bearing (KT8128) | 1 |
| C-030 | 01023CW-T121 | Crank Screw (9/64" N=40) | 1 |
| C-031 | 01026PR-T121 | Arm Front Cover (L) | 1 |
| C-032 | GP-013332-00 | Fixing Bracket for Laser | 1 |
| C-033 | 03065SC-A001 | Guard Plate Screw | 4 |
| C-034 | 01030PR-T121 | Guide Plate | 1 |
| C-035 | 05062SC-A001 | Thread Guide (L) Screw | 2 |
| C-036 | 03056CL-B001 | Head Rail Holder | 1 |
| C-037 | 03057SC-T121 | Head Rail Holder Screw | 1 |
| C-038 | 03064LM-CT06 | LM Guide Block Set (6C) | 1 |
| | 03069LM-CT09 | LM Guide Block Set (9C) | |
| | 03068LM-T121 | LM Guide Block Set (12C) | |
| | 03069LM-T151 | LM Guide Block Set (15C) | |

| Ref. No | Part No. | Part Name | Q'ty |
|---------|--------------|-------------------------------|------|
| C-039 | 09007SC-7113 | HEX. SOCKET BOLT (M3*L12) | 4 |
| C-040 | EP-000138-00 | Laser | 1 |
| C-041 | 05041SC-A001 | Guide Rail Screw | 4 |
| C-042 | 03073CM-CT01 | Presser Foot Driver Cam | 1 |
| C-043 | 11029SC-4113 | Hex. Socket Bolt (M4*L20) | 1 |
| C-044 | 04012AF-A001 | Hook Shaft Bush Screw | 1 |
| C-045 | 25001CA-CT01 | Arm Cover | 1 |
| C-047 | 25003BM-CT01 | Bobbin Winder Base Set | 1 |
| C-048 | 25003PM-CT01 | Bobbin Winder Base Set | 1 |
| C-049 | 25004SC-CT01 | Bobbin Winder Base Screw | 3 |
| C-050 | 25005CW-CT01 | Bobbin Winder Driving Shaft | 1 |
| C-051 | 25006PU-CT01 | Bobbin Winder Pulley | 1 |
| C-052 | 25008RB-CT01 | Bobbin Winder Ring | 1 |
| C-053 | 25009RB-CT01 | Bobbin Winder Operating Ring | 1 |
| C-054 | 25010CL-CT01 | Bobbin Winder Leber | 1 |
| C-055 | 03022SC-4517 | Hex. Socket Set Screw(M4*L5) | 1 |
| C-056 | 25012PR-CT01 | Bobbin Winder Adjusting Plate | 1 |
| C-057 | 25013SC-CT01 | Screw 1/8" N=44 | 1 |
| C-058 | 06011SW-2111 | Washer (@3) | 1 |
| C-059 | 25015CW-CT01 | Bobbin Winder Leber Shaft | 1 |
| C-060 | 06008SW-4013 | E-Ring (@5) | 1 |
| C-061 | 25017CL-CT01 | Bobbin Winder Adjusting Cam | 1 |
| C-062 | 02015SC-7113 | HEX.SOCKET BOLT(M4*L10) | 1 |
| C-063 | 07000100C000 | T-UP GUIDE RAIL SIDE RUBBER L | 1 |
| C-064 | 07000200C000 | T-UP GUIDE RAIL SIDE RUBBER R | 1 |
| C-065 | 25019PR-CT01 | Bobbin Winder Action Plate | 1 |
| C-066 | 25020FH-CT01 | Bobbin Winder Action Device | 1 |
| C-067 | 06008SW-4013 | E-Ring (@5) | 1 |
| C-068 | 05022SW-A001 | Spring Shoe Washer | 1 |
| C-069 | 25023SP-CT01 | B/W Tension Spring | 1 |
| C-070 | 25024SP-CT01 | Bobbin Stoper | 1 |
| C-071 | 25025PM-CT01 | Bobbin Stand | 1 |
| C-072 | 25026PR-CT01 | Bobbin Winder Mes | 1 |
| C-074 | 07009AF-4517 | Hex.Socket Set Screw (M5*L6) | 2 |
| C-079 | 03000900T000 | Bearing Collar | 1 |
| C-080 | 08113SC-A001 | Collar Screw | 2 |
| C-081 | 03000900T000 | Bearing Collar | 1 |
| C-082 | 01029BR-A001 | Ball Bearing (6004Zz) | 1 |
| C-083 | 02030SC-T121 | Bed Cover Screw(9/64" 40) | 2 |
| C-084 | 07000101C010 | Take-Up Guide Rail (6C) | 1 |
| | 07000103C010 | Take-Up Guide Rail (9C) | |

C

Arm I

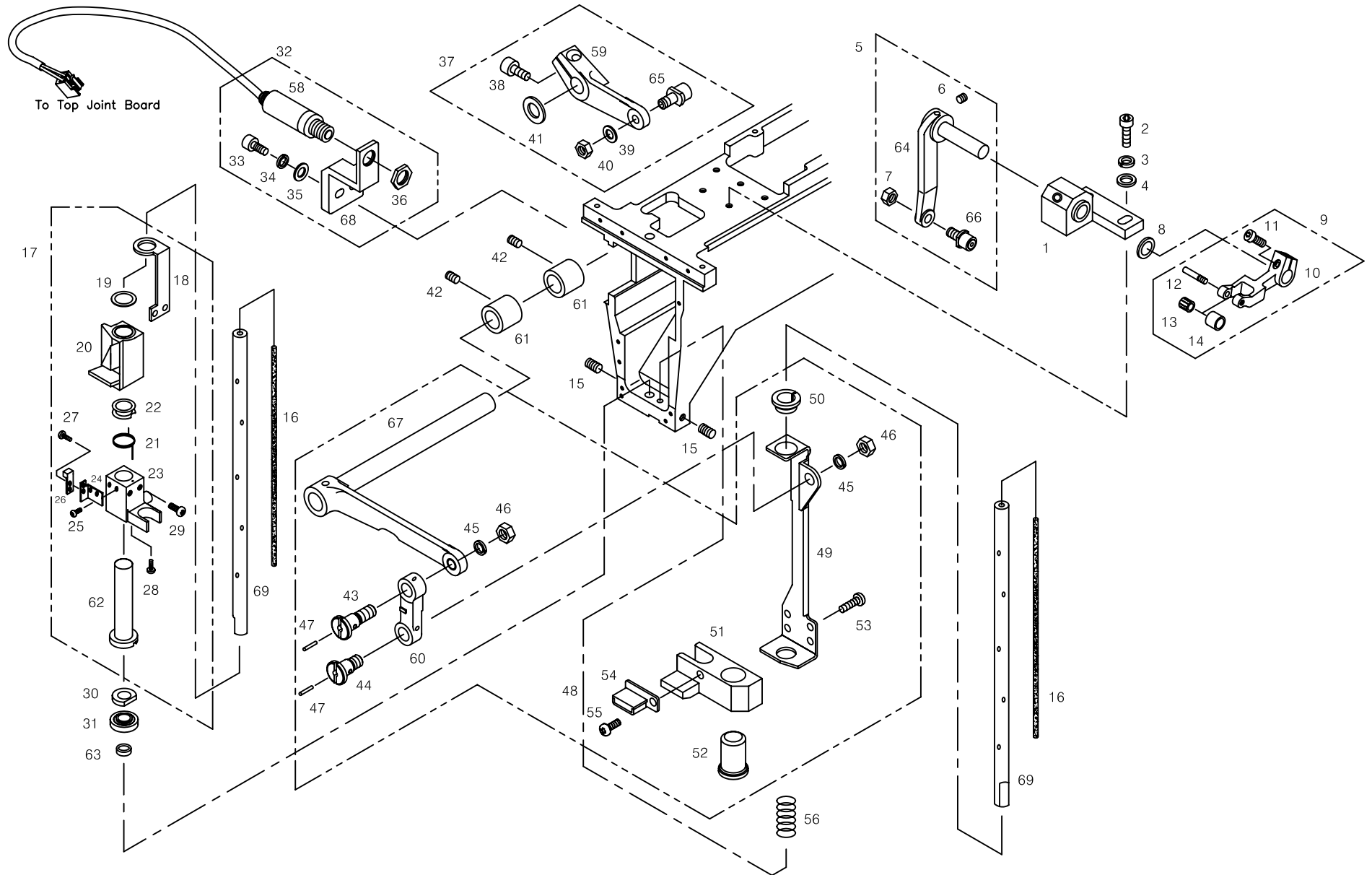


| Ref.No | Part No. | Part Name | Q'ty |
|--------|--------------|--|------|
| C-084 | 07000102C010 | Take-Up Guide Rail (12C) | 1 |
| | 07000105T010 | Take-Up Guide Rail (15C) | |
| C-085 | 04000100T000 | ARM FRONT COVER (R) | 1 |
| C-086 | 02015SC-7113 | Hex.Socket Bolt(M4*L10) | 2 |
| C-087 | 18014SW-3115 | Spring Washer(@4) | 2 |
| C-088 | 18014SW-3111 | Washer(@4) | 2 |
| C-089 | 02010AF-3123 | Truss Screw | 4 |
| C-090 | GP-008781-00 | Stopping Wheel For Upper Shaft | 2 |
| C-091 | 04012AF-A001 | Hook Shaft Bush Screw | 4 |
| C-092 | GP-014474-00 | Stopping Solenoid Bracket For Upper Shaft | 2 |
| C-093 | 02015SC-7113 | HEX.SOCKET BOLT (M4*L10) | 4 |
| C-094 | 18014SW-3115 | Spring Washer (@4-No2) | 4 |
| C-095 | 18015SW-3111 | Washer (4@) | 4 |
| C-096 | EP-000033-00 | Sol | 2 |
| C-097 | 28021SC-3123 | Truss Screw (M3*L4) | 4 |
| C-098 | GP-008785-00 | Stopping Solenoid Base Ass'y For Upper Shaft | 2 |
| C-099 | GP-008784-00 | Stopping Solenoid Cover For Upper Shaft | 2 |
| C-100 | 07035SC-7113 | BRACKET SCREW (M3*L6) | 4 |
| C-101 | 11019SW-9115 | Spring Washer (3@) | 4 |
| C-102 | 06011SW-2111 | Washer (@3) | 4 |
| C-103 | BD-000291-01 | TOP Joint Board | 1 |
| | | | |
| | | | |
| | | | |
| | | | |
| | | | |
| | | | |
| | | | |
| | | | |
| | | | |
| | | | |
| | | | |
| | | | |
| | | | |
| | | | |
| | | | |
| | | | |
| | | | |
| | | | |
| | | | |
| | | | |
| | | | |
| | | | |
| | | | |

| Ref. No | Part No. | Part Name | Q'ty |
|---------|----------|-----------|------|
| | | | |
| | | | |
| | | | |
| | | | |
| | | | |
| | | | |
| | | | |
| | | | |
| | | | |
| | | | |
| | | | |
| | | | |
| | | | |
| | | | |
| | | | |
| | | | |
| | | | |
| | | | |
| | | | |
| | | | |
| | | | |
| | | | |
| | | | |
| | | | |
| | | | |
| | | | |
| | | | |
| | | | |
| | | | |
| | | | |
| | | | |
| | | | |
| | | | |
| | | | |
| | | | |
| | | | |
| | | | |
| | | | |
| | | | |
| | | | |
| | | | |

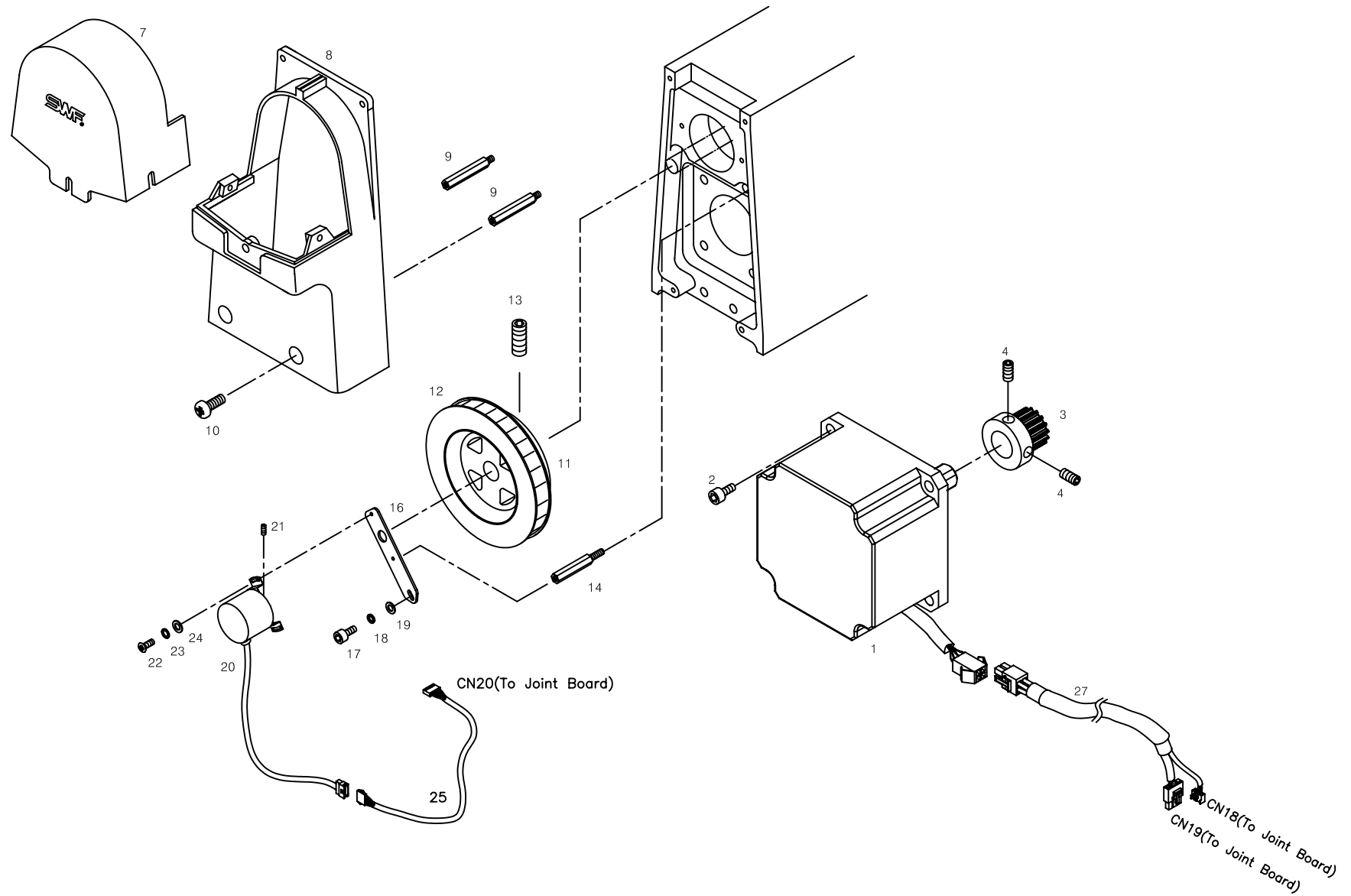
D

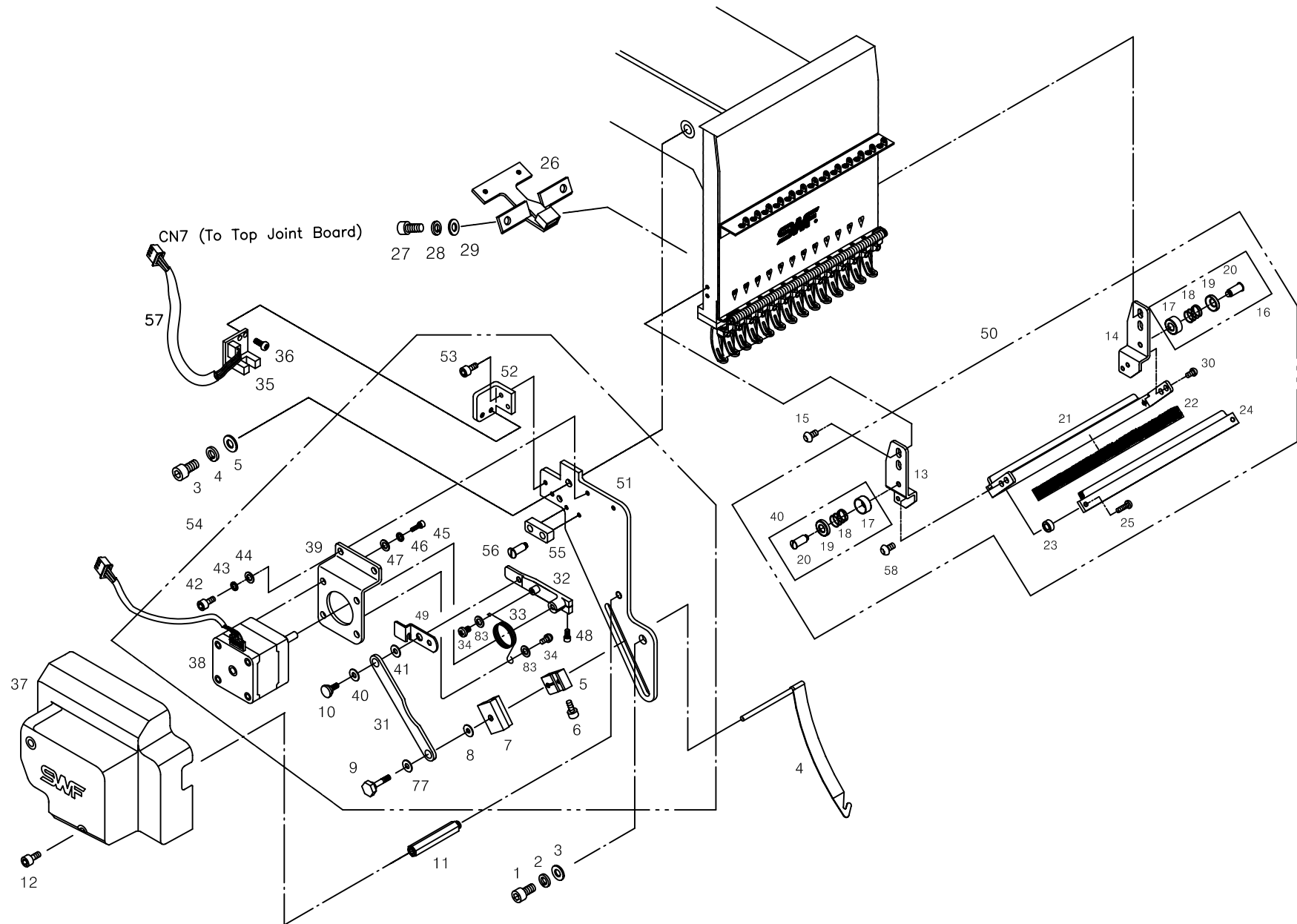
Arm II



| Ref.No | Part No. | Part Name | Q'ty |
|--------|--------------|--------------------------------|------|
| D-001 | 04016CL-T121 | Take-Up Driving Base Set | 1 |
| D-002 | 03016SC-4113 | Hex. Socket Bolt (M5*L15) | 2 |
| D-003 | 16018SW-1111 | Washer (@5) | 2 |
| D-004 | 18048SW-3115 | SPRING WASHER (5@) | 2 |
| D-005 | 04005BM-T121 | Take-Up Driving Lever(A) Set | 1 |
| D-006 | 03022SC-4517 | Hex. Socket Set Screw(M4*L5) | 1 |
| D-007 | 12010SN-1211 | HEX.NUT (M5) | 1 |
| D-008 | 04014PR-T121 | Washer | 1 |
| D-009 | 04017BM-T121 | Take-Up Driving Lever(B) Set | 1 |
| D-010 | 04017CA-T121 | Take-Up Driving Lever(B) | 1 |
| D-011 | 07016SC-7113 | HEX.SOCKET BOLT (M4*L12) | 1 |
| D-012 | 04019CW-T121 | Pin Stud Screw | 1 |
| D-013 | 04021BR-T121 | Needle Bearing Kt367N (Iko) | 1 |
| D-014 | 04020AF-T121 | Roller For Take-Up Gear-B | 1 |
| D-015 | 03020SC-A001 | Drive Pin Screw 11/64,N40,L8 | 2 |
| D-016 | 32013ET-T121 | Wick | 2 |
| D-017 | 03040BM-CT01 | Needle Bar Reciprocator Set | 1 |
| D-018 | 03041PR-CT01 | Driver Link Plate | 1 |
| D-019 | 03048SW-A001 | Reciprocator Washer | 1 |
| D-020 | 03049PM-CT01 | Needle Bar Reciprocator | 1 |
| D-021 | 03043SP-CT01 | Jump Spring | 1 |
| D-022 | 03046CW-B001 | Jump Spring Guide | 1 |
| D-023 | 03038FH-CT01 | Needlebar Driving Shaft Driver | 1 |
| D-024 | 03045PR-CT01 | Stopper Bracket | 1 |
| D-025 | 07018SC-8118 | PLUS SCREW (M3*L8) | 2 |
| D-026 | 03047PM-CT01 | Reciprocator Stopper | 1 |
| D-027 | 03046SC-8118 | Plus Screw (M3*L5) | 2 |
| D-028 | 03006MC-3123 | TRUSS SCREW (M3*L6) | 1 |
| D-029 | 03006MC-8118 | PLUS SCREW (M3*L6) | 2 |
| D-030 | 03042SF-T121 | Felt "A" | 1 |
| D-031 | 03051BR-A001 | Ball Bearing 689 (Ntn) | 1 |
| D-032 | 06000BM-CT01 | Jumping Sol. Set | 1 |
| D-033 | 02015SC-7113 | HEX.SOCKET BOLT(M4*L10) | 2 |
| D-034 | 18014SW-3115 | Spring Washer (@4-No2) | 2 |
| D-035 | 18015SW-3111 | Washer (4@) | 2 |
| D-036 | -- | Hex. Nut | 1 |
| D-037 | 03076BM-CT01 | Driving Lever(Small) Set | 1 |
| D-038 | 02015SC-7113 | HEX.SOCKET BOLT(M4*L10) | 1 |
| D-039 | 18015SW-3111 | Washer (4@) | 1 |
| D-040 | 05016SN-1211 | Hex.Nut (M4) | 1 |

| Ref. No | Part No. | Part Name | Q'ty |
|---------|--------------|--------------------------------|------|
| D-041 | 02004BR-T121 | Hook Shaft Bearing Washer | 1 |
| D-042 | 03022SC-4517 | Hex. Socket Set Screw(M4*L5) | 2 |
| D-043 | 03086SC-CT01 | Connecting Link Stud Screw A | 1 |
| D-044 | 03087SC-CT01 | Connecting Link Stud Screw B | 1 |
| D-045 | 18048SW-3115 | Spring Washer (5@) | 2 |
| D-046 | 12010SN-1211 | Hex.Nut (M5) | 2 |
| D-047 | - | Wick | 2 |
| D-048 | 03090BM-CT01 | Presser Foot Reciprocator Set | 1 |
| D-049 | 03090PR-CT01 | Foot Reciprocator Bracket | 1 |
| D-050 | 03091PM-CT01 | Foot Reciprocator Bracket B/S | 1 |
| D-051 | 03092AD-CT01 | Presser Foot Reciprocator | 1 |
| D-052 | 03093CW-CT01 | Presser Foot Reciprocator B/S | 1 |
| D-053 | 08006SC-8118 | Plus Screw (M3*L5) | 4 |
| D-054 | 03095RB-CT01 | Presser Foot Stopper | 1 |
| D-055 | 08006SC-8118 | Plus Screw (M3*L5) | 1 |
| D-056 | 03099SP-CT01 | Presser Foot Return Spring | 1 |
| D-058 | EP-000034-00 | Jumping Sol. | 1 |
| D-059 | 03007600C000 | Presser Foot Driving Lever S | 1 |
| D-060 | 03008500C000 | Foot Driving Connecting Link | 1 |
| D-061 | 03000800C000 | Presser Foot Dirving Bush | 2 |
| D-062 | 03103900C000 | Needle Bar Driving Shaft Bush | 1 |
| D-063 | 03004400A000 | Needle Bar Drive Bearing Bush | 1 |
| D-064 | 04006CA-T121 | Take-Up Driving Lever(A) | 1 |
| D-065 | 03078BR-CT01 | Roller Bearing Iko Cfs4 | 1 |
| D-066 | 04010BR-CT01 | Roller Bearing Iko Cfs4V | 1 |
| D-067 | 03083FH-CT01 | Presser Foot Driving Lever (L) | 1 |
| D-068 | 06000110TH00 | JUMP SOL BRACKET | 1 |
| D-069 | 03204100A000 | NEEDLE BAR DRIVING SHAFT | 2 |
| | | | |
| | | | |
| | | | |
| | | | |
| | | | |
| | | | |
| | | | |
| | | | |
| | | | |
| | | | |
| | | | |
| | | | |
| | | | |
| | | | |
| | | | |
| | | | |



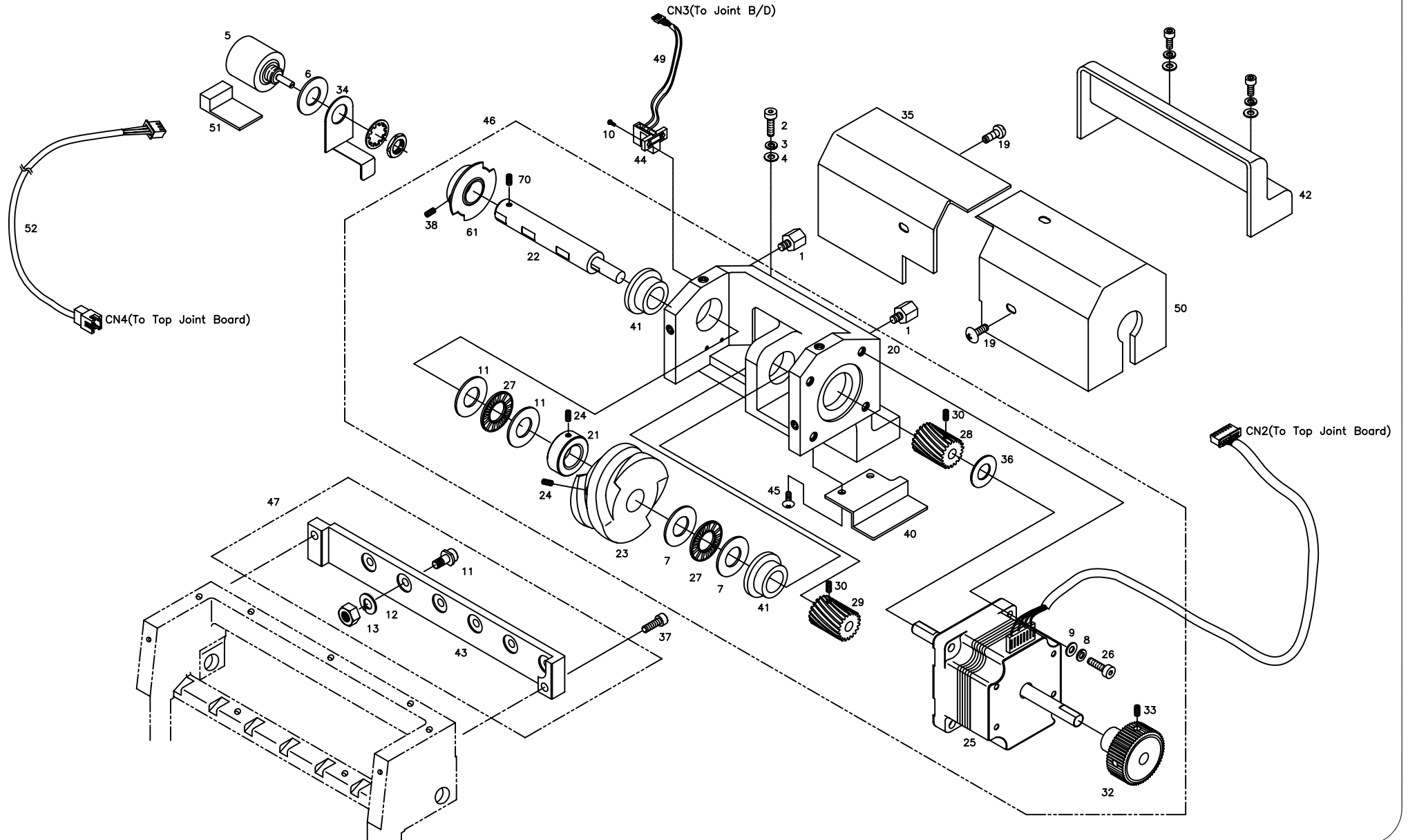


| Ref.No | Part No. | Part Name | Q'ty |
|--------|--------------|---------------------------------|------|
| F-001 | 08076SC-7113 | HEX. SOCKET BOLT (M5*L12) | 2 |
| F-002 | 18048SW-3115 | SPRING WASHER (5@) | 2 |
| F-003 | 18049SW-3111 | WASHER (@5) | 2 |
| F-004 | 09005PR-CT01 | Upper Thread Catcher | 1 |
| F-005 | 09006AD-T121 | Positioning Collar Bracket | 1 |
| F-006 | 09007SC-7113 | HEX. SOCKET BOLT (M3*L12) | 1 |
| F-007 | 09008PM-T121 | Positioning Collar | 1 |
| F-008 | 09009PR-T121 | Positioning Collar Washer | 1 |
| F-009 | 09010CW-T121 | Stud Screw | 1 |
| F-010 | 09013CW-T121 | Driving Link Stud Screw | 1 |
| F-011 | 09036CW-CT01 | Wiper Cover Stud Bolt | 2 |
| F-012 | 02023SC-7113 | HEX.SOCKET BOLT (M4*L8) | 2 |
| F-013 | 09040PR-A001 | Bracket (L) | 1 |
| F-014 | 09041PR-A001 | Bracket (R) | 1 |
| F-015 | 02009SC-A001 | Side Cover Screw | 4 |
| F-016 | 09044PR-A001 | Upper Thread Holder Disk Set | 2 |
| F-017 | -- | Upper Thread Holder Disk "A" | 2 |
| F-018 | -- | Spring | 2 |
| F-019 | -- | Upper Thread Holder Disk "B" | 2 |
| F-020 | -- | Upper Thread Holder Stud | 2 |
| F-021 | 09034PR-AE00 | Upper Thread Presser Base (6C) | 1 |
| | 09030PR-A002 | Upper Thread Presser Base (9C) | |
| | 09026PR-AB00 | Upper Thread Presser Base (12C) | |
| | 09052PR-T151 | Upper Thread Presser Base (15C) | |
| F-022 | 09035ET-AE00 | Velcro (6C) | 1 |
| | 09031ET-A002 | Velcro (9C) | |
| | 09027ET-AB00 | Velcro (12C) | |
| | 09027ET-T151 | Velcro (15C) | |
| F-023 | 09038CW-A001 | Thread Presser Space | 2 |
| F-024 | 09037PR-AE00 | Presser Base Cover (6C) | 1 |
| | 09033PR-A002 | Presser Base Cover (9C) | |
| | 09029PR-AB00 | Presser Base Cover (12C) | |
| | 09029PR-T151 | Presser Base Cover (15C) | |
| F-025 | 07018SC-8118 | Plus Screw (M3*L8) | 2 |
| F-026 | 09046PR-T121 | Upper Thread Catcher Guide Set | 1 |
| F-027 | 02015SC-7113 | Hex.Socket Bolt (M4*L10) | 1 |
| F-028 | 18014SW-3115 | Spring Washer (@4-No2) | 2 |
| F-029 | 18015SW-3111 | Washer (4@) | 2 |
| F-030 | 06010SC-8118 | Plus Screw (M3*L4) | 2 |
| F-031 | GP-006007-00 | DRIVING LINK | 1 |

| Ref. No | Part No. | Part Name | Q'ty |
|---------|--------------|-------------------------------|------|
| F-032 | 08500700C000 | Motor Shaft Connecting Lever | 1 |
| F-033 | 08500400C000 | Upper Thread Return Spring | 1 |
| F-034 | 06010SC-8118 | Plus Screw (M3*L4) | 2 |
| F-035 | 09017EL-T121 | Wiper Sensor Board | 1 |
| F-036 | 08006SC-8118 | Plus Screw (M3*L5) | 2 |
| F-037 | 08500500C000 | Upper Thread Hook Cover | 1 |
| F-038 | MO-000011-00 | Upper Thread Catcher Motor | 1 |
| F-039 | 08500300C000 | Upper Thread Hook Motor Base | 1 |
| F-040 | 08500600C000 | Wiper Driving Link Washer | 1 |
| F-041 | 08500600C000 | Wiper Driving Link Washer | 2 |
| F-042 | 02023SC-7113 | Hex.Socket Bolt (M4*L8) | 2 |
| F-043 | 18014SW-3115 | Spring Washer (@4-No2) | 2 |
| F-044 | 18015SW-3111 | Washer (4@) | 2 |
| F-045 | 22006SC-7113 | HEX. SOCKET BOLT (M3*L8) | 4 |
| F-046 | 11019SW-9115 | Spring Washer (3@) | 4 |
| F-047 | 06011SW-2111 | Washer (@3) | 6 |
| F-048 | 02015SC-7113 | HEX.SOCKET BOLT(M4*L10) | 1 |
| F-049 | 08500800C000 | Wiper Return Sensor Plate | 1 |
| F-050 | 08600002B000 | Upper Thread Base Set (6C) | 1 |
| | 08600003B000 | Upper Thread Base Set (9C) | |
| | 08600004B000 | Upper Thread Base Set (12C) | |
| | 08600005B000 | Upper Thread Base Set (15C) | |
| F-051 | 08500110C000 | Upper Thread Hook Base | 1 |
| F-052 | 08501000C000 | WIPER RETURN SENSOR BRAKET | 1 |
| F-053 | 07035SC-7113 | BRACKET SCREW (M3*L6) | 2 |
| F-054 | 08500010C000 | Upper Thread Catcher Set | 1 |
| F-055 | 09021RB-A001 | Cushion Stopper | 1 |
| F-056 | 09033CW-CT01 | STOPER SCREW | 2 |
| F-057 | DUAL-ONE-20 | WIPER RETURN SENSOR Connector | 1 |
| | | | |
| | | | |
| | | | |
| | | | |
| | | | |
| | | | |
| | | | |
| | | | |
| | | | |
| | | | |

G

Color Change Set

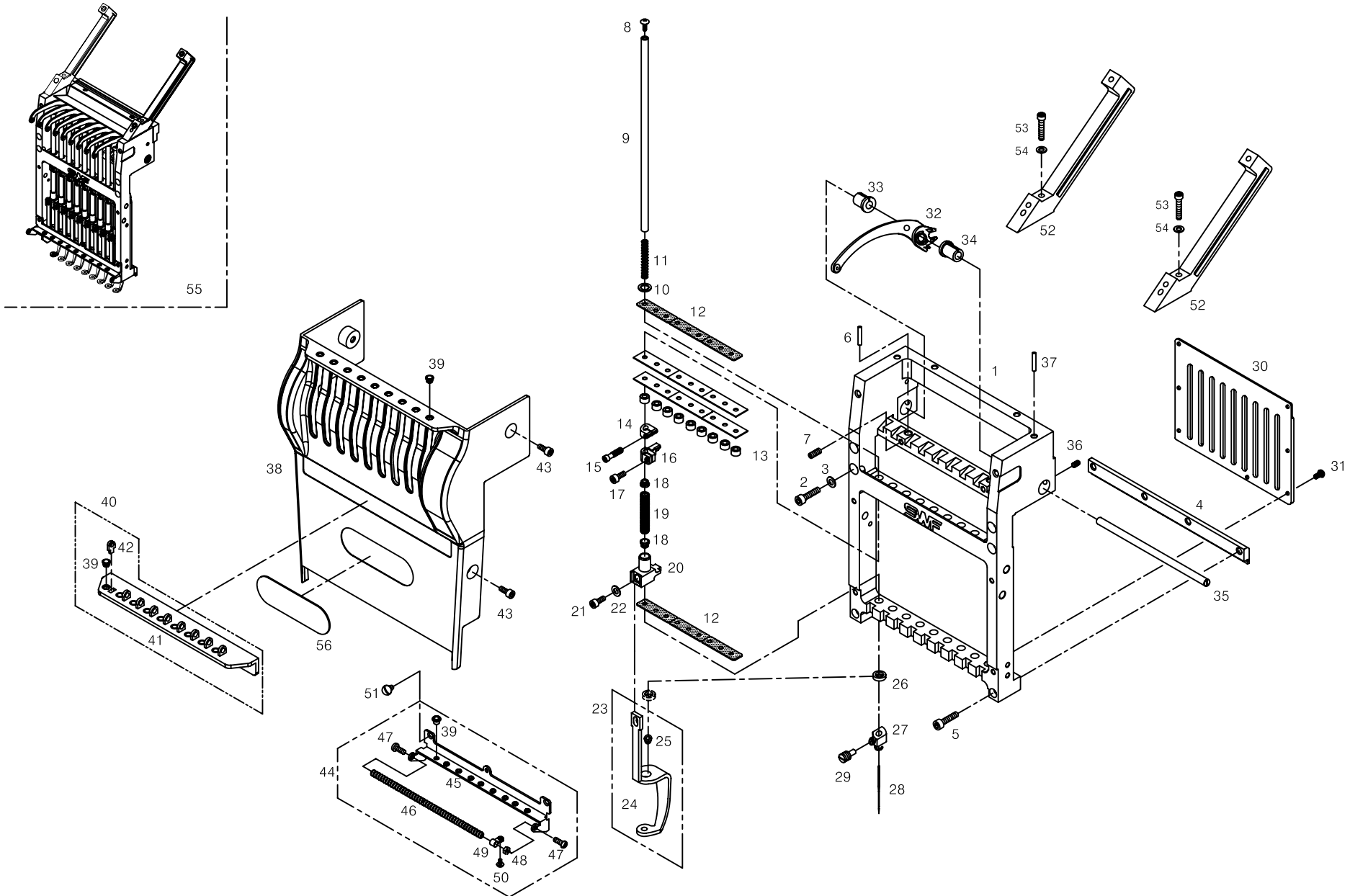


| Ref.No | Part No. | Part Name | Q'ty |
|--------|--------------|-------------------------------|------|
| G-001 | GP-008574-01 | Fixing Stud for Cover A | 2 |
| G-002 | 03016SC-4113 | Hex. Socket Bolt (M5*L15) | 2 |
| G-003 | 18048SW-3115 | SPRING WASHER (5@) | 2 |
| G-004 | 16018SW-1111 | Washer (@5) | 2 |
| G-005 | 15012MT-T902 | Potentiometer (7824 R1K L25) | 1 |
| G-006 | 15014PR-T121 | Potentiometer Washer | 1 |
| G-007 | 13010BR-T121 | Washer(@12* ϕ 26*1T) | 4 |
| G-008 | 18014SW-3115 | Spring Washer (@4-No2) | 4 |
| G-009 | 18015SW-3111 | Washer (4@) | 4 |
| G-010 | 08006SC-8118 | Plus Screw (M3*L5) | 2 |
| G-011 | 15029AF-T121 | Roller Set | 6 |
| G-012 | 18048SW-3115 | SPRING WASHER (5@) | 6 |
| G-013 | 12010SN-1211 | Hex.Nut (M5) | 6 |
| G-014 | 02023SC-7113 | Hex.Socket Bolt (M4*L8) | 2 |
| G-015 | 15034RB-T121 | Washer (@10*0.5T) | 2 |
| G-016 | 25034EL-T121 | C/C Potention Cable (1Ht-34) | 1 |
| G-019 | 02010SC-3123 | Truss Screw (M4*L8) | 2 |
| G-020 | GP-015881-00 | Color Change Base | 1 |
| G-021 | 08101100T010 | Color Change Collar | 1 |
| G-022 | 08100700T010 | Color Change Shaft | 1 |
| G-023 | 13005CM-UK06 | Color Change Cam | 1 |
| G-024 | 04012AF-A001 | Hook Shaft Bush Screw | 5 |
| G-025 | MO-000012-00 | Color Change Motor | 1 |
| G-026 | 05008SC-4113 | Hex.Socket Bolt (M4*L16) | 4 |
| G-027 | 13041BR-UK01 | Washer(12* ϕ 26*1T) | 2 |
| G-028 | 08105000T010 | Color Change Gear | 1 |
| G-029 | 08104900T010 | Color Change Gear | 1 |
| G-030 | 08113SC-A001 | Collar Screw | 2 |
| G-031 | 13032AD-UK06 | Color Change Film Set | 1 |
| G-032 | 08102300T010 | Color Change Passivity Handle | 1 |
| G-033 | 04012AF-A001 | Hook Shaft Bush Screw | 2 |
| G-034 | 13015PR-UK06 | Potentiometer Bracket | 1 |
| G-035 | GP-015880-01 | Color Change Cover(L) | 1 |
| G-036 | 08102000T010 | Color Change Motor Washer | 1 |
| G-037 | 08076SC-7113 | HEX. SOCKET BOLT (M5*L12) | 2 |
| G-038 | 04014SC-4517 | Hex.Socket Set Screw(M5*L5) | 2 |
| G-039 | 08113SC-A001 | Collar Screw | 1 |
| G-040 | 08103600T010 | Color Change Motor Blind | 1 |
| G-041 | GP-006252-00 | Color Change Bushing | 2 |
| G-042 | 08103800C010 | Color Change Cover B | 1 |

| Ref. No | Part No. | Part Name | Q'ty |
|---------|--------------|---|------|
| G-043 | 08103102C010 | Color Change Roller Base (6C) | 1 |
| | 13026CL-D104 | Color Change Roller Base (9C) | |
| | 13026CL-UK06 | Color Change Roller Base (12C) | |
| | 13026CL-UK16 | Color Change Roller Base (15C) | |
| G-044 | 08102300B000 | Half Turn Sensor (Gp1S51V) | 1 |
| G-045 | 02010SC-3123 | Truss Screw (M4*L8) | 2 |
| G-046 | 08100000T000 | Color Change Motor Set | 1 |
| G-047 | 05000002U000 | C/C ROLLER BASE SET (6C) | 1 |
| | 05000003U000 | C/C ROLLER BASE SET (9C) | |
| | 05000004U000 | C/C ROLLER BASE SET (12C) | |
| | 05000005U000 | C/C ROLLER BASE SET (15C) | |
| G-049 | DUAL-ONE-18 | HALF TURN SENSOR CONN. | 1 |
| G-050 | GP-013346-00 | Color Change Cover(R) | 1 |
| G-051 | BD-000421-00 | Potentionmeter Board | 1 |
| G-052 | DUAL-19 | Top Joint Board To Potentionmeter Board | 1 |
| | | | |
| | | | |
| | | | |
| | | | |
| | | | |
| | | | |
| | | | |
| | | | |
| | | | |
| | | | |
| | | | |
| | | | |
| | | | |
| | | | |
| | | | |
| | | | |
| | | | |
| | | | |
| | | | |
| | | | |
| | | | |
| | | | |
| | | | |
| | | | |
| | | | |
| | | | |
| | | | |
| | | | |
| | | | |
| | | | |
| | | | |

H

Head

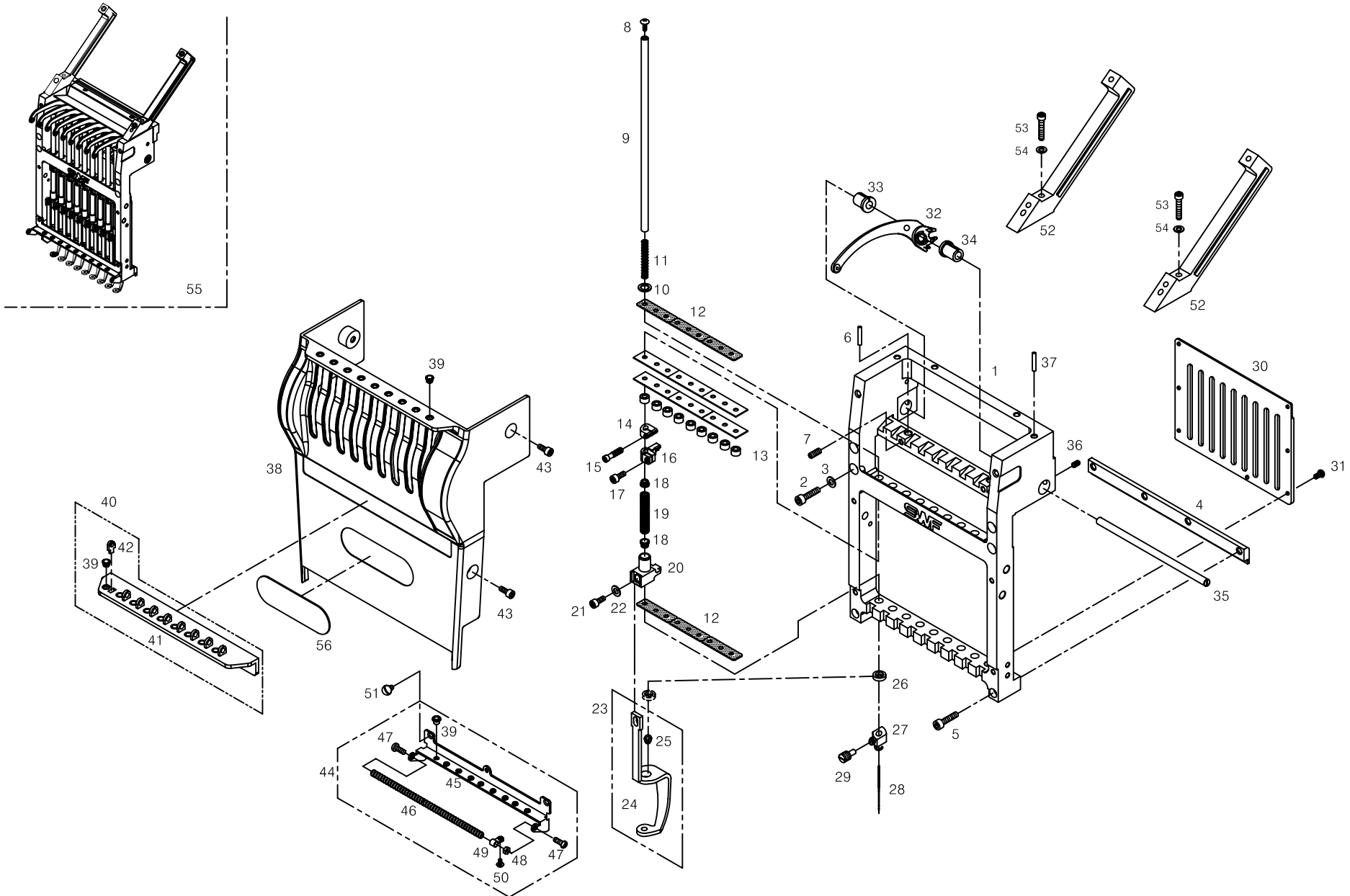


| Ref.No | Part No. | Part Name | Q'ty |
|--------|--------------|--------------------------------|------|
| H-001 | GP-015101-00 | Head (6C) | 1 |
| | GP-015104-00 | Head (9C) | |
| | GP-015107-00 | Head (12C) | |
| | GP-015108-00 | Head (15C) | |
| H-002 | 05008SC-4113 | Hex.Socket Bolt (M4*L16) | 4 |
| H-003 | 05009SW-1111 | Washer (@4-L) | 4 |
| H-004 | 08201302H000 | Head Rail (6C) | 1 |
| | 05011CW-A002 | Head Rail (9C) | |
| | 08201304H000 | Head Rail (12C) | |
| | 08201305H000 | Head Rail (15C) | |
| H-005 | 05014SC-7113 | HEX. SOCKET BOLT (M4*L25) | 2 |
| H-006 | 05015CW-A001 | Head Base Pin(@5*L15) | 2 |
| H-007 | 03022SC-4517 | Hex. Socket Set Screw(M4*L5) | 2 |
| H-008 | 05019SC-A001 | Needle Bar Cover Screw (M5*L6) | 9 |
| H-009 | 08201800A000 | Needle Bar | 9 |
| H-010 | 05022SW-A001 | Spring Shoe Washer | 9 |
| H-011 | 05008AF-T121 | Needle Bar Return Spring | 9 |
| H-012 | 05021SF-A001 | Felt | 9 |
| H-013 | 05011RB-T121 | Needle Bar Cushion Rubber | 9 |
| H-014 | 11101200T000 | Upper Dead Point Stopper | 9 |
| H-015 | 05026SC-4113 | Stopper Screw (9/64-11.5) | 9 |
| H-016 | 05027FU-A001 | Needle Bar Holder | 9 |
| H-017 | 05028SC-4113 | Holder Screw (9/64-L8) | 9 |
| H-018 | 05021PM-H001 | Presser Foot Spring Guide | 9 |
| H-019 | 05017AF-T121 | Presser Foot Pressure Spring | 9 |
| H-020 | 05023PM-H001 | Presser Foot Holder Set | 9 |
| H-021 | 05026SC-H001 | Presser Foot Holder Screw | 9 |
| H-022 | 05027PR-H001 | Presser Foot Holder Washer | 9 |
| H-023 | 05024BM-CT01 | Presser Foot Set (Compact) | 9 |
| H-024 | 05024PR-CT01 | Presser Foot L=95 | 9 |
| H-025 | 05031AF-A001 | Presser Foot Guide Bush | 9 |
| H-026 | 05035RB-A001 | Presser Foot Cushion Rubber"A | 9 |
| H-027 | 05036CW-A001 | Needle Fixed Holder | 9 |
| H-028 | 05037DB-A001 | Needle (Db-K5, #11) | 9 |
| H-029 | 05363SC-A001 | Needle Fixed Screw (A/S) | 9 |
| H-030 | 05031PM-CT06 | Needle Bar Guide Rail (6C) | 1 |
| | 05031PM-CT09 | Needle Bar Guide Rail (9C) | |
| | 05027PM-T121 | Needle Bar Guide Rail (12C) | |
| | 05027PM-T151 | Needle Bar Guide Rail (15C) | |
| H-031 | 05041SC-A001 | Guide Rail Screw | 8 |

| Ref. No | Part No. | Part Name | Q'ty |
|---------|--------------|---------------------------------|------|
| H-032 | 07005BM-B002 | TAKE-UP LEVER SET | 9 |
| H-033 | 08203000A000 | Take-Up Lever Shaft Bush(L) | 1 |
| H-034 | 08200800A000 | Take-Up Lever Shaft Bush(R) | 1 |
| H-035 | 08200602A000 | Take-Up Lever Shaft (6C) | 1 |
| | 08200503A000 | Take-Up Lever Shaft (9C) | |
| | 08200404A000 | Take-Up Lever Shaft (12C) | |
| | 07004SF-T151 | Take-Up Lever Shaft (15C) | |
| H-036 | 07009SC-4517 | Hex.Socket Set Screw (M5*L6) | 2 |
| H-037 | 01303700H000 | Tension Plate Pin | 2 |
| H-038 | GP-015103-00 | Head Face Plate (6C) | 1 |
| | GP-015105-00 | Head Face Plate (9C) | |
| | GP-010416-00 | Head Face Plate (12C) | |
| | GP-015110-00 | Head Face Plate (15C) | |
| H-039 | 05452CM-A001 | Eyelet "A" | 18 |
| H-040 | AS-004247-00 | THREAD GUIDE (M) SET (6C) | 1 |
| | AS-004248-00 | THREAD GUIDE (M) SET (9C) | |
| | AS-004249-00 | THREAD GUIDE (M) SET (12C) | |
| | AS-004250-00 | THREAD GUIDE (M) SET (15C) | |
| H-041 | GP-015102-00 | Thread Guide (M) (6C) | 1 |
| | GP-015106-00 | Thread Guide (M) (9C) | |
| | GP-010415-00 | Thread Guide (M) (12C) | |
| | GP-015109-00 | Thread Guide (M) (15C) | |
| H-042 | 10110000A000 | Eyelet "B" | 9 |
| H-043 | 04005MC-3123 | Hex. Socket Bolt (M4*L4.5) | 4 |
| H-044 | AS-004247-00 | Thread Guide (L) Set (6C) | 1 |
| | AS-004248-00 | Thread Guide (L) Set (9C) | |
| | AS-004249-00 | Thread Guide (L) Set (12C) | |
| | AS-004250-00 | Thread Guide (L) Set (15C) | |
| H-045 | 10400002B000 | Thread Guide (L) (6C) | 1 |
| | 10400003B000 | Thread Guide (L) (9C) | |
| | 10400004B000 | Thread Guide (L) (12C) | |
| | 10400005T000 | Thread Guide (L) (15C) | |
| H-046 | 10400212B000 | Spring (6C) | 1 |
| | 10400213B000 | Spring (9C) | |
| | 10400214B000 | Spring (12C) | |
| | 10400215T000 | Spring (15C) | |
| H-047 | 096440C-8119 | Spring Adjusting Screw | 2 |
| H-048 | 096440N-3211 | Spring Adjusting Nut (9/64,N40) | 1 |
| H-049 | 10400304B000 | Spring Holder | 1 |
| H-050 | 05060SC-8118 | Screw (M3*L3) | 1 |

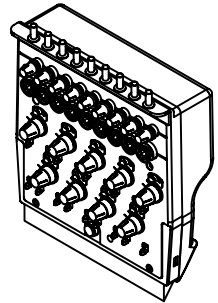
H

Head

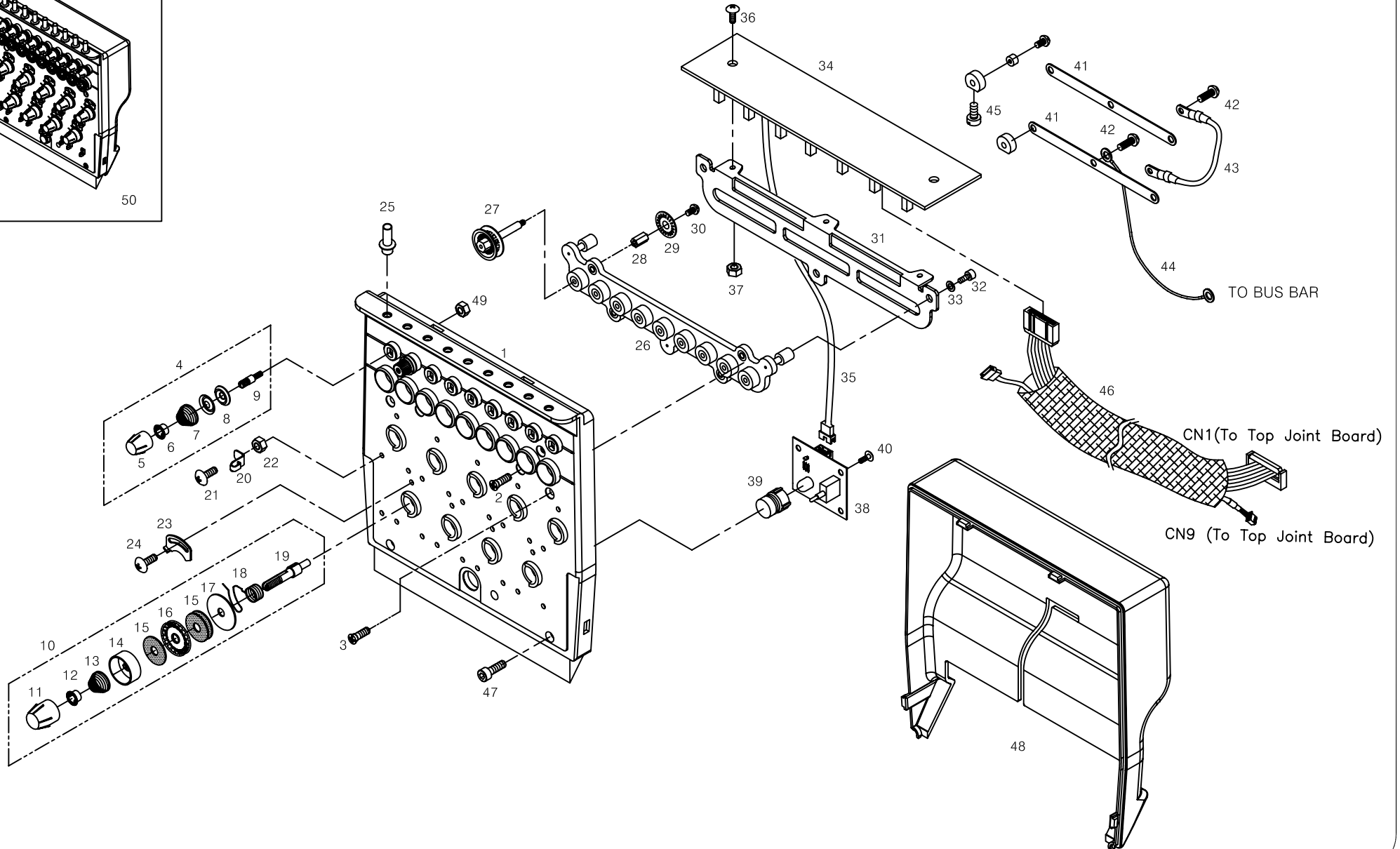


I

Thread Tension Unit



50

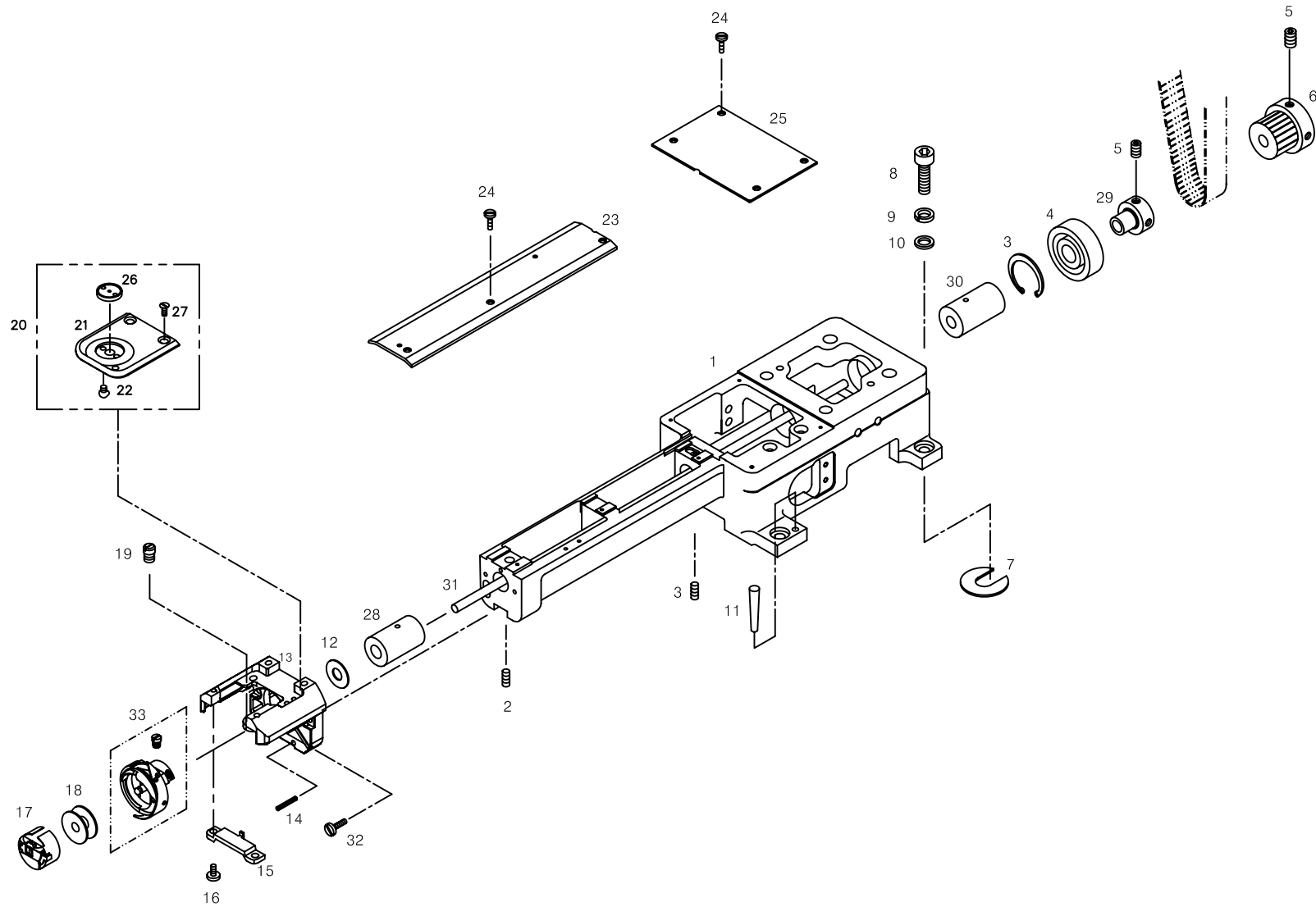


| Ref.No | Part No. | Part Name | Q'ty |
|--------|---------------|---------------------------------|------|
| I-001 | GP-015040-00 | Tension Unit (6C) | 1 |
| | GP-015708-00 | Tension Unit (9C) | |
| | GP-015047-00 | Tension Unit (12C) | |
| | GP-015055-01 | Tension Unit (15C) | |
| I-002 | 02002SC-7119 | PLUSS SCREW (M4*L8) | 5 |
| I-003 | 02002SC-7119 | PLUSS SCREW (M4*L8) | 5 |
| I-004 | AS-003067-00 | SUB TENSION ADJUSTING SET | 9 |
| I-005 | SN-000092-00 | SUB TENSION ADJUSTING NUT(A) | 9 |
| I-006 | 08300700A000 | TENSION SPRING STOPPER | 9 |
| I-007 | 08301100I000 | TENSION SPRING | 9 |
| I-008 | 08301200I000 | TENSION DISC | 18 |
| I-009 | 08301000I000 | TENSION ADJUSTING STUD | 9 |
| I-010 | AS-003068-00 | TENSION ADJUSTING SET | 9 |
| I-011 | SN-000093-00 | TENSION ADJUSTING NUT | 9 |
| I-012 | 08300700A000 | TENSION SPRING STOPPER | 9 |
| I-013 | 08300800A000 | TENSION ADJUSTING SPRING | 9 |
| I-014 | 11086PM-A001 | Tension Spring Collar | 9 |
| I-015 | 11084AF-A001 | Felt | 27 |
| I-016 | 11085AF-A001 | Rotary Tension Disc | 9 |
| I-017 | 11083PM-A001 | Disc Plate | 9 |
| I-018 | 11082AF-A001 | THREAD TAKE-UP SPRING | 9 |
| I-019 | 11081CW-A001 | Thread Tension Adjusting Stud | 9 |
| I-020 | 11012PR-B001 | Thread Guide (New) | 18 |
| I-021 | 09005SC-3123 | Truss Screw (M3*L6) | 18 |
| I-022 | 11014SN-1211 | Hex.Nut (M3-No2) | 18 |
| I-023 | 11009PR-B001 | Thread Breakage Detecting Plat | 9 |
| I-024 | 09005SC-3123 | Truss Screw (M3*L6) | 9 |
| I-025 | 08010000C000 | HOSE CATCHER BUSHING | 9 |
| I-026 | 11033PM-CT06 | Roller Base (6C) | 1 |
| | 08300703-H000 | Roller Base (9C) | |
| | 11034PM-CT12 | Roller Base (12C) | |
| | 11059PM-T151 | Roller Base (15C) | |
| I-027 | 11075PM-B001 | Thread Sensor Roller(B1)Set | 9 |
| I-028 | 11083CW-B001 | THREAD DETECTING WHEEL STUD | 9 |
| I-029 | GP-005179-00 | THREAD BREAKAGE DETECTING WHEEL | 9 |
| I-030 | 08011SC-8118 | Screw (M2*L4) | 9 |
| I-031 | 11042PR-CT06 | THREAD BOARD BASE (9C) | 1 |
| | 11087PR-B001 | THREAD BOARD BASE (9C) | |
| | 11043PR-CT12 | THREAD BOARD BASE (12C) | |
| | 11066PR-T151 | THREAD BOARD BASE (15C) | |

| Ref. No | Part No. | Part Name | Q'ty |
|---------|--------------|---------------------------------------|------|
| I-032 | 02023SC-7113 | Plus Screw (M4*L8) | 3 |
| I-033 | 06003SW-2111 | Washer (@4) | 3 |
| I-034 | 18009EL-WH06 | U.T.C Board (6C) | 1 |
| | 2009EL-WH09 | U.T.C Board (9C) | |
| | 2009EL-WH12 | U.T.C Board (12C) | |
| | 2009EL-WH15 | U.T.C Board (15C) | |
| I-035 | 02101800B000 | Plate Led S/W Board Cable | 1 |
| I-036 | 02010SC-3123 | Truss Screw (M4*L8) | 3 |
| I-037 | 05016SN-1211 | Hex.Nut (M4) | 3 |
| I-038 | BD-000066-00 | Head On/Off S/W Board 6C,12C | 1 |
| I-039 | 08300400A000 | Lamp Cover | 1 |
| I-040 | 09005SC-3123 | Truss Screw (M3*L6) | 4 |
| I-041 | 08300302I000 | Connection Plate (6C) | 2 |
| | 08300303I000 | Connection Plate (A) (9C) | 1 |
| | 08300403I000 | Connection Plate (B) (9C) | 1 |
| | 08300304I000 | Connection Plate (12C) | 2 |
| | 08300305I000 | Connection Plate (A) (15C) | 1 |
| | 08300405I000 | Connection Plate (B) (15C) | 1 |
| I-042 | 09005SC-3123 | Truss Screw (M3*L6) | 6 |
| I-043 | 02103903H000 | Wheel Earth 6,9,12C | 1 |
| I-044 | 25032EL-CT01 | Wheel Sensor Frame Ground | 1 |
| I-045 | 11009SC-A001 | Stud Screw | 9 |
| I-046 | CA-000947-00 | Wheel Sensor Board To Top Joint Board | 1 |
| I-047 | 04010MC-7113 | Hex.Socket Bolt (M4*L10) | 2 |
| I-048 | GP-015041-00 | Tension Unit Cover (6C) | 1 |
| | GP-015709-00 | Tension Unit Cover (9C) | |
| | GP-015048-00 | Tension Unit Cover (12C) | |
| | GP-015056-00 | Tension Unit Cover (15C) | |
| I-049 | 03031SN-A001 | Pin. Nut (11/64,N=40) | 9 |
| I-050 | AS-004326-00 | Tension Unit Set (6C) | 1 |
| | AS-004149-00 | Tension Unit Set (9C) | |
| | AS-004301-00 | Tension Unit Set (12C) | |
| | AS-004327-00 | Tension Unit Set (15C) | |
| | | | |
| | | | |
| | | | |
| | | | |
| | | | |
| | | | |
| | | | |
| | | | |

J

Bed

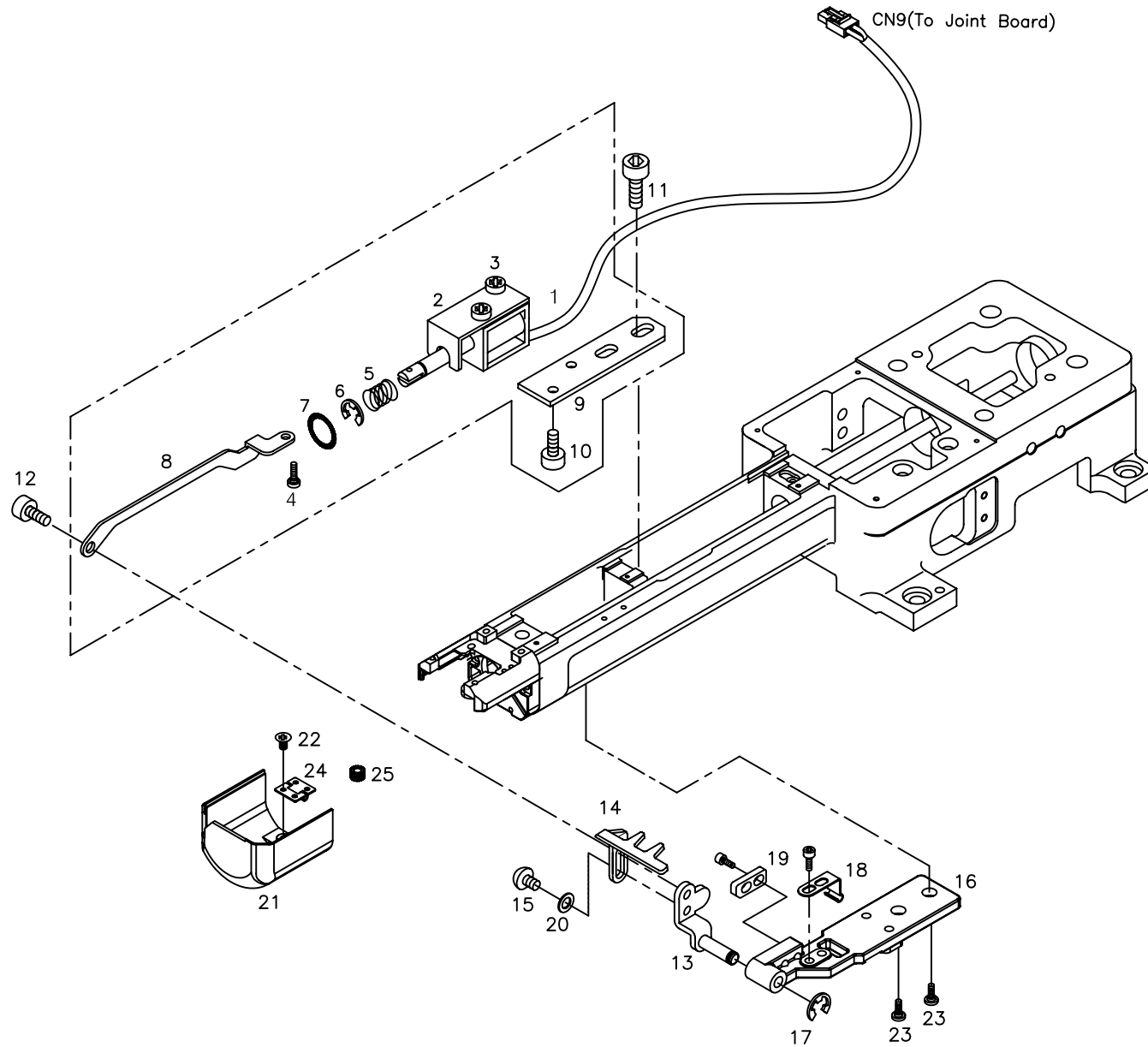


| Ref.No | Part No. | Part Name | Q'ty |
|--------|--------------|---------------------------------|------|
| J-001 | GP-012967-00 | Arm,Bed Set | 1 |
| J-002 | 04012AF-A001 | Hook Shaft Bush Screw | 2 |
| J-003 | 04012SR-4013 | C-Ring (@32) | 1 |
| J-004 | 02015BR-T121 | Bearing 6201ZZ(KBC) | 1 |
| J-005 | 04012AF-A001 | Hook Shaft Bush Screw | 6 |
| J-006 | 02018PU-T121 | Hook Shaft Timing Pulley | 1 |
| J-007 | 02032PR-T121 | Spacer (T=0.05,0.2,0.5) | 1 |
| J-008 | 14027SC-4113 | Hex.Socket Bolt (M8*L30) | 4 |
| J-009 | 15095SW-3115 | SPRING WASHER (@8) | 4 |
| J-010 | 04029SW-A001 | Stud Bolt Washer(S) (@8) | 4 |
| J-011 | 01008ET-T121 | Spring Pin(@6*L30) | 2 |
| J-012 | 02004BR-T121 | Hook Shaft Bearing Washer | 1 |
| J-013 | GP-005357-01 | NEEDLE PLATE BRACKET(SET) | 1 |
| J-014 | 02009PI-T121 | Spring Pin | 2 |
| J-015 | GP-005368-01 | Rotary Hook Support | 1 |
| J-016 | 02011SC-3125 | Rotary Hook Support Screw | 2 |
| J-017 | GP-005357-00 | Bobbin Case Set | 1 |
| J-018 | 04035AF-A001 | Bobbin | 1 |
| J-019 | 04026SC-T121 | Needle Plate Pin | 1 |
| J-020 | 02019BM-T121 | Needle Plate Set(Cap) | 1 |
| J-021 | 02019PR-T121 | Needle Plate(Cap) | 1 |
| J-022 | 02022SC-T121 | Needle Guide Plate Screw | 2 |
| J-023 | GP-012968-00 | Bed Cover (F) | 1 |
| J-024 | 02030SC-T121 | Bed Cover Screw(9/64" 40) | 7 |
| J-025 | 04041PR-CT01 | Bed Cover (R) | 1 |
| J-026 | 02022CW-T121 | Needle Guide Plate(Flat) | 1 |
| | GP-010385-00 | Needle Guide Plate(Flat Sequin) | 1 |
| J-027 | 04004AF-A001 | Needle Plate Screw | 2 |
| J-028 | 02000300T000 | Hook Shaft Front Bushing | 1 |
| J-029 | 02001600T000 | Bearing Collar | 1 |
| J-030 | 02001000T000 | Hook Shaft Bush(M) | 1 |
| J-031 | 01000700C000 | Hook Shaft | 1 |
| J-032 | 04037SC-A001 | Picker Bracket Screw(R) | 2 |
| J-033 | 04033AF-D002 | Rotary Hook Set | 1 |
| | | | |
| | | | |
| | | | |
| | | | |
| | | | |

| Ref. No | Part No. | Part Name | Q'ty |
|---------|----------|-----------|------|
| | | | |
| | | | |
| | | | |
| | | | |
| | | | |
| | | | |
| | | | |
| | | | |
| | | | |
| | | | |
| | | | |
| | | | |
| | | | |
| | | | |
| | | | |
| | | | |
| | | | |
| | | | |
| | | | |
| | | | |
| | | | |
| | | | |

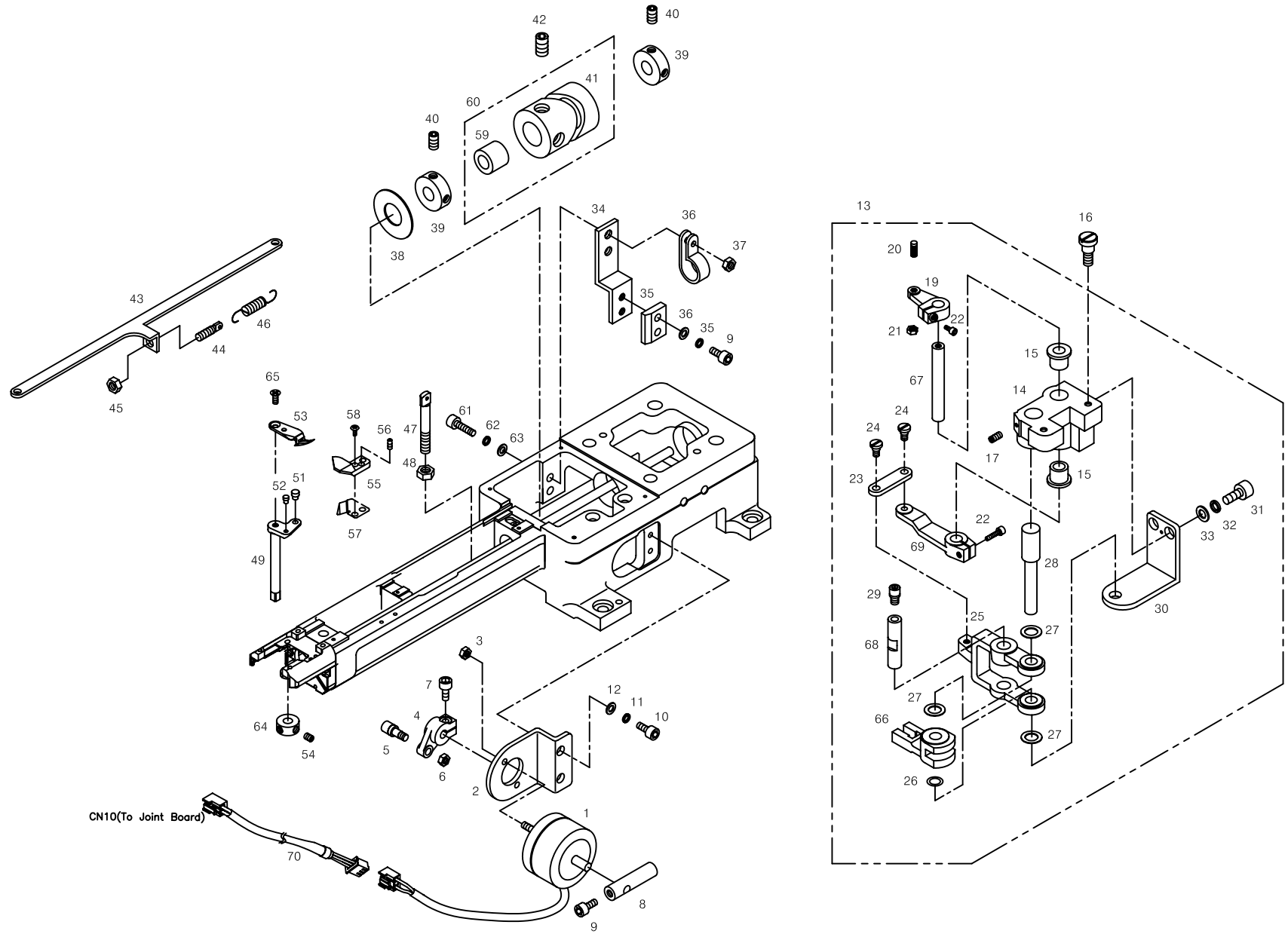
K

Picker



L

Thread Cutting Set

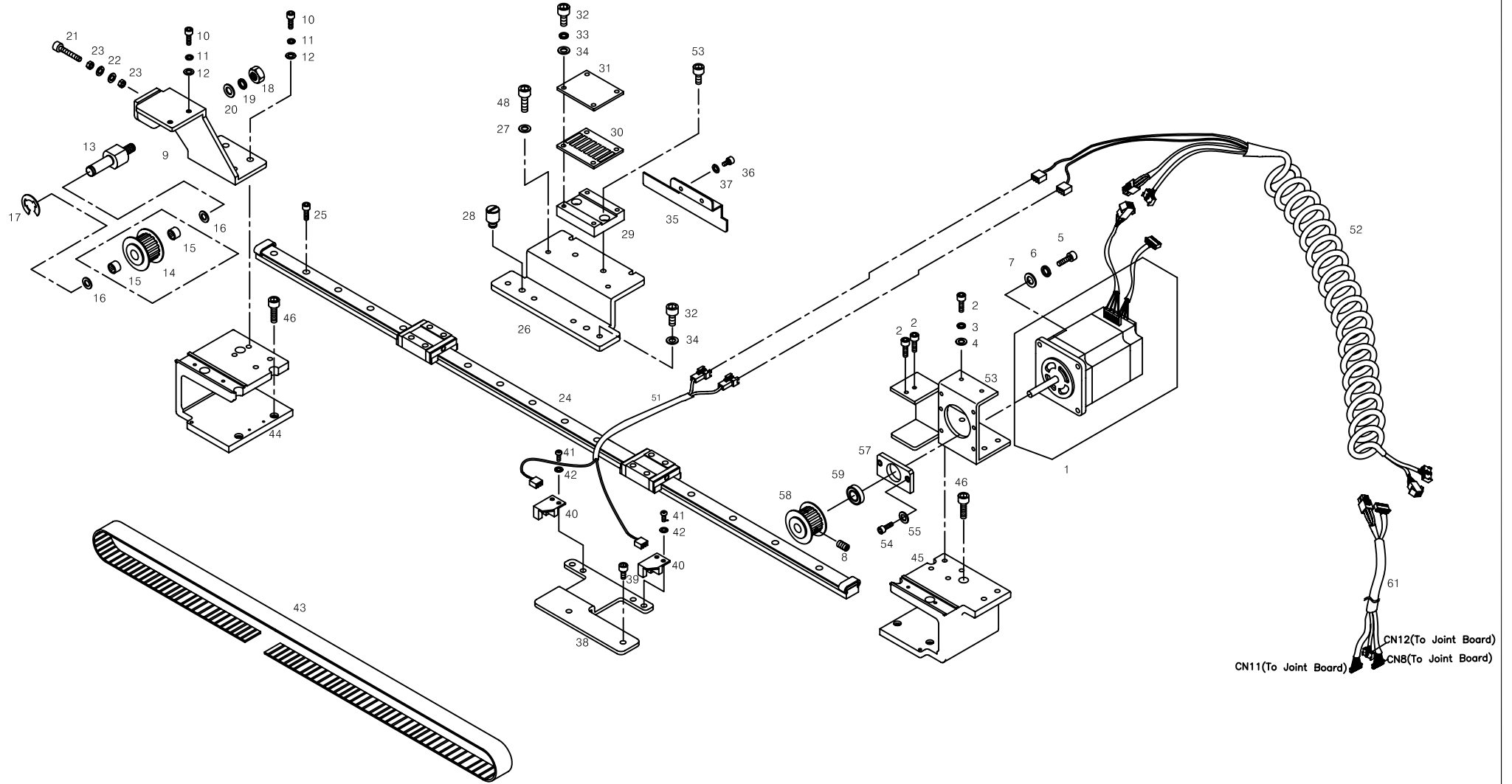


| Ref.No | Part No. | Part Name | Q'ty |
|--------|--------------|--------------------------------|------|
| L-001 | EP-000037-00 | Thread Trimming Solenoid Ass'Y | 1 |
| L-002 | 08043PR-T121 | Solenoid Plate | 1 |
| L-003 | 12010SN-1211 | HEX.NUT (M5) | 2 |
| L-004 | 08047CL-T121 | Solenoid Crank | 1 |
| L-005 | 08048AF-T121 | Solenoid Crank Roller | 1 |
| L-006 | 08050SN-T121 | Hex. Nut | 1 |
| L-007 | 03071SC-7113 | HEX. SOCKET BOLT (M3*L10) | 1 |
| L-008 | 08041CW-T121 | Solenoid Manual Handle | 1 |
| L-009 | 02015SC-7113 | HEX.SOCKET BOLT(M4*L10) | 4 |
| L-010 | 08076SC-7113 | HEX. SOCKET BOLT (M5*L12) | 2 |
| L-011 | 18048SW-3115 | SPRING WASHER (5@) | 2 |
| L-012 | 18049SW-3111 | WASHER (@5) | 2 |
| L-013 | 08010BM-T121 | Mes Lever Shaft Bracket Set | 1 |
| L-014 | 08010CL-T121 | Mes Lever Shaft Bracket | 1 |
| L-015 | 07021MP-T121 | Lever Shaft Bush | 2 |
| L-016 | 08011CW-T121 | Stud Screw | 2 |
| L-017 | 13013SC-4517 | Hex.Socket Bolt (15/64",N=28) | 1 |
| L-019 | 08014FH-T121 | Mes Driving Lever (U) | 1 |
| L-020 | 07023CW-T121 | Lever Pin "A" | 1 |
| L-021 | 02029SN-9311 | HEX. NUT (M4-NO2) | 1 |
| L-022 | 07016SC-7113 | HEX.SOCKET BOLT (M4*L12) | 2 |
| L-023 | 08031PR-T121 | Mes Lever Connecting Link | 1 |
| L-024 | 08022SC-A001 | Lever Stud | 2 |
| L-025 | 08027CL-T121 | Mes Lever | 1 |
| L-026 | 08022RB-T121 | O-Ring (@10) | 1 |
| L-027 | 07024BR-UK01 | Fiber Washer(R-Tw0805) | 3 |
| L-028 | 08018CW-T121 | Mes Lever Shaft | 1 |
| L-029 | 08023AF-T121 | Mes Cam Roller Set | 1 |
| L-030 | 08027PR-T121 | Mes Lever Supporter | 1 |
| L-031 | 07016SC-7113 | HEX.SOCKET BOLT (M4*L12) | 2 |
| L-032 | 02028SW-9115 | Spring Washer (@4) | 2 |
| L-033 | 05009SW-1111 | Washer (@4-L) | 4 |
| L-034 | 08051PR-T121 | Mes Lever Stopper Bracket | 1 |
| L-035 | 08057PM-T121 | Mes Lever Stopper | 1 |
| L-036 | 11035ET-A001 | Cable Holder | 1 |
| L-037 | 12010SN-1211 | Hex.Nut (M5) | 1 |
| L-038 | 02004BR-T121 | Hook Shaft Bearing Washer | 1 |
| L-039 | 08033CW-T121 | Mes Cam Position Collar | 2 |
| L-040 | 03020SC-A001 | Drive Pin Screw 11/64,N40,L8 | 4 |
| L-041 | 08036CM-T121 | Mes Cam | 1 |

| Ref. No | Part No. | Part Name | Q'ty |
|---------|--------------|--------------------------------|------|
| L-042 | 04016AF-A001 | Cam Collar Screw | 2 |
| L-043 | 08064PR-CT01 | Moving Mes Connecting Link | 1 |
| L-044 | 08065SC-T121 | Spring Shaft Screw | 1 |
| L-045 | 03031SN-A001 | Pin. Nut (11/64,N=40) | 1 |
| L-046 | 08063SP-CT01 | Thread Return Spring | 1 |
| L-047 | 08061CW-CT01 | Thread Return Springer | 1 |
| L-048 | 08058SN-1311 | Hex. Nut (M6-No3) | 1 |
| L-049 | GP-006638-00 | Moving Mes Shaft Set | 1 |
| L-050 | 07026FU-T121 | Moving Mes Shaft | 1 |
| L-051 | 08123CW-T121 | Moving Mes Connecting Link Pin | 1 |
| L-052 | 08122CW-A001 | Mes Pin | 1 |
| L-053 | 07028PR-T121 | Moving Mes | 1 |
| L-054 | 03022SC-4517 | Hex. Socket Set Screw(M4*L5) | 2 |
| L-055 | 07032CL-T121 | Fixed Mes | 1 |
| L-056 | 03050SC-4517 | Hex. Socket Set Screw (M3*L3) | 1 |
| L-057 | 07033PR-T121 | Under Thread Presser | 1 |
| L-058 | 07018SC-8118 | Plus Screw (M3*L8) | 2 |
| L-059 | 08037CW-T121 | Mes Cam Bush | 1 |
| L-060 | 08036BM-T121 | Mes Cam Set | 1 |
| L-061 | 05014SC-7113 | HEX. SOCKET BOLT (M4*L25) | 2 |
| L-062 | 18014SW-3115 | Spring Washer (@4-No2) | 2 |
| L-063 | 18015SW-3111 | Washer (4@) | 2 |
| L-064 | 13003000T000 | Mes Shaft Collar | 1 |
| L-065 | 08014SC-A001 | Plus Screw (M3*L8) | 1 |
| L-066 | 03302500T000 | Mes Driving Crank | 1 |
| L-067 | 02002200T000 | Mes Driving Lever Shaft | 1 |
| L-068 | 03302400T000 | Mes Cam Roller Driving Shaft | 1 |
| L-069 | 03301900T000 | Mes Driving Lever | 1 |
| L-070 | CA-000953-00 | Trim Sol. Cable Connector | |
| | | | |
| | | | |
| | | | |
| | | | |
| | | | |
| | | | |
| | | | |
| | | | |
| | | | |
| | | | |
| | | | |
| | | | |
| | | | |
| | | | |
| | | | |
| | | | |
| | | | |
| | | | |

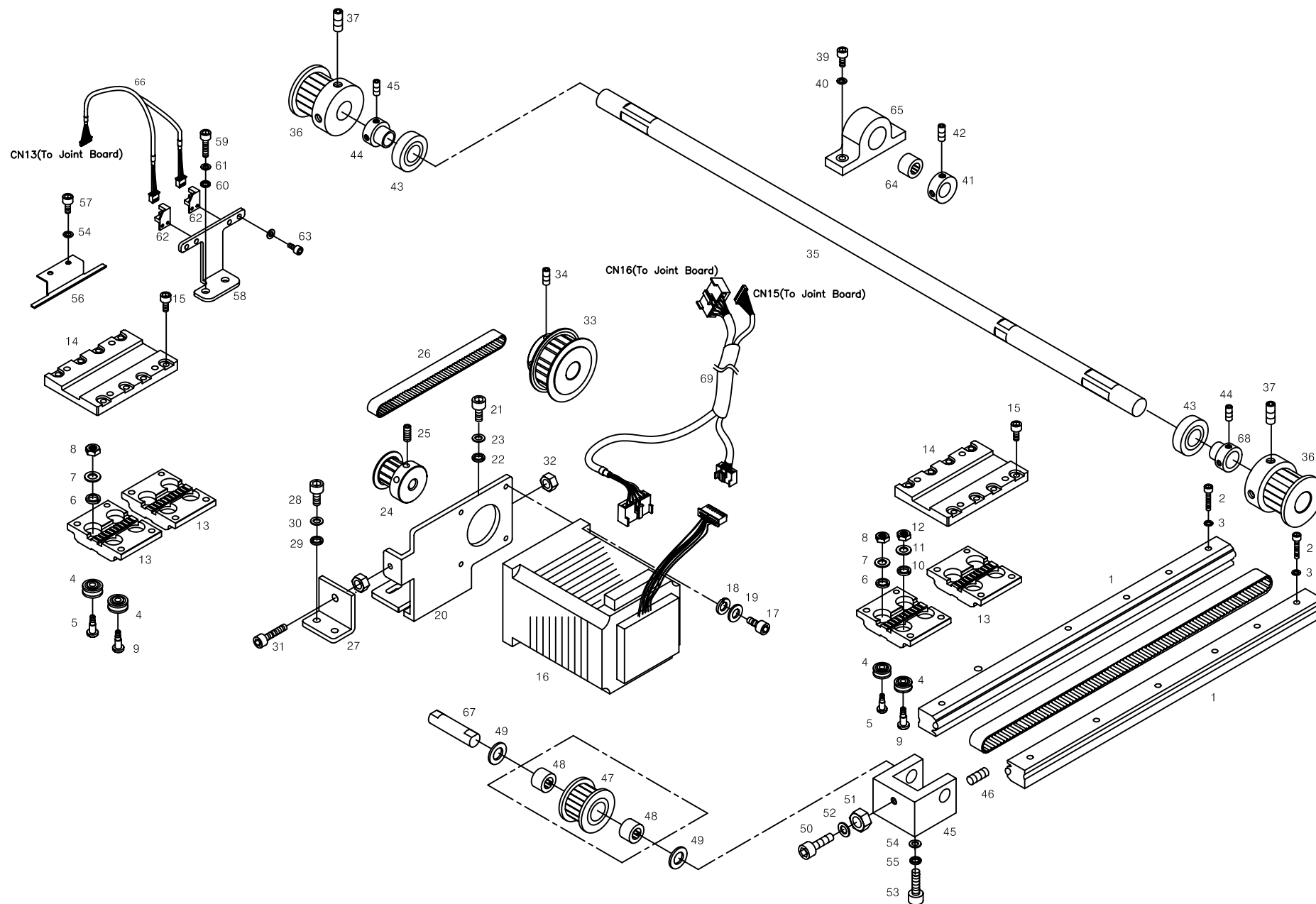
M

X-Axis Drive Set



N

Y-Axis Drive Set

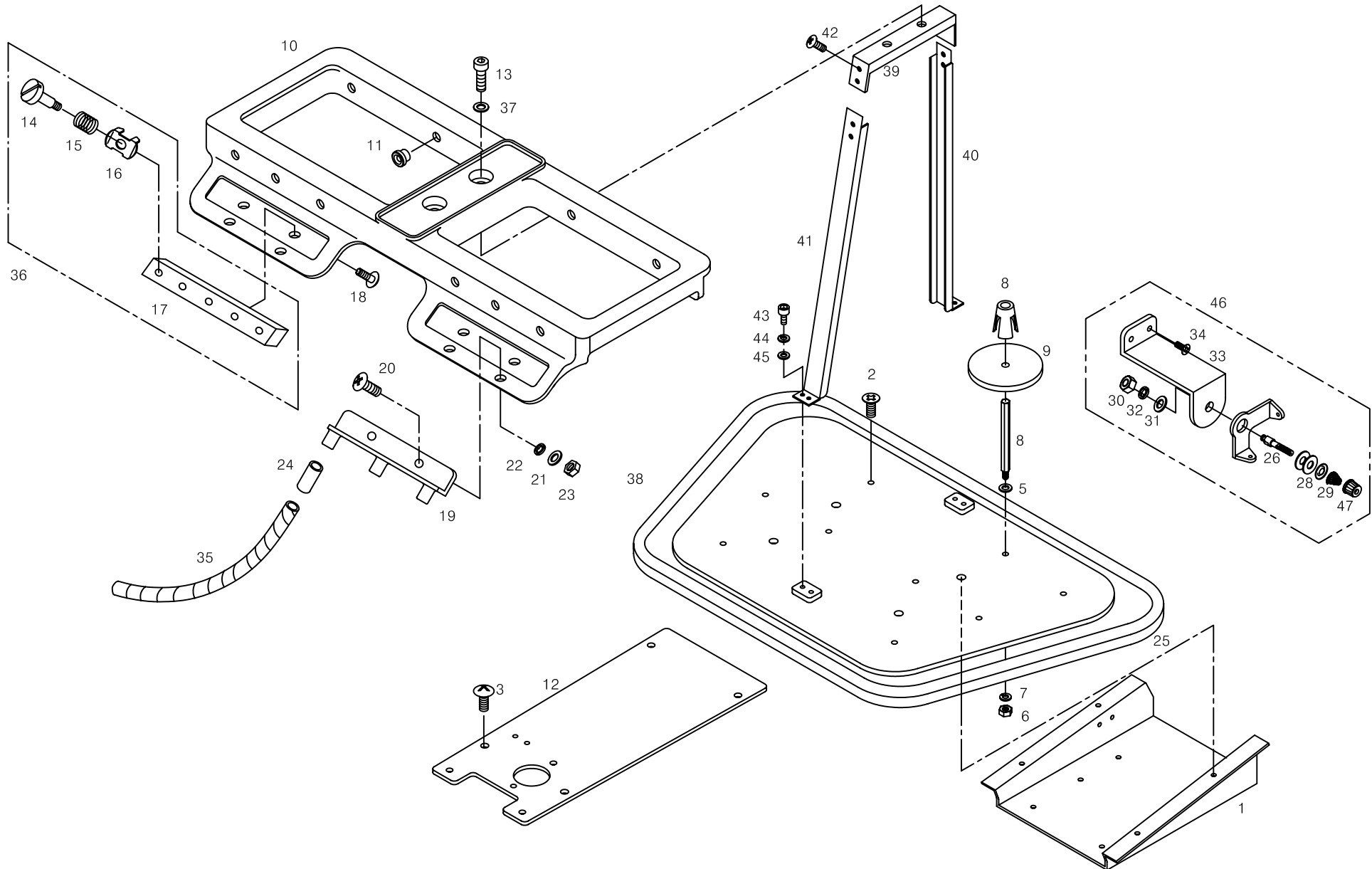


| Ref.No | Part No. | Part Name | Q'ty |
|--------|--------------|------------------------------|------|
| N-001 | 16001AD-CT01 | Y-Cam Roller Guide Rail | 4 |
| N-002 | 07016SC-7113 | HEX.SOCKET BOLT (M4*L12) | 24 |
| N-003 | 18014SW-3115 | Spring Washer (@4-No2) | 24 |
| N-004 | 15001BR-B001 | Cam Roller Baearing | 16 |
| N-005 | 15003CW-B001 | Cam Roller Stud (B) | 8 |
| N-006 | 18048SW-3115 | Spring Washer (5@) | 16 |
| N-007 | 18049SW-3111 | Washer (@5) | 16 |
| N-008 | 12010SN-1211 | Hex.Nut (M5) | 16 |
| N-009 | 15002CW-B001 | Cam Roller Stud (A) | 8 |
| N-010 | 18014SW-3115 | Spring Washer (@4-No2) | 16 |
| N-011 | 18015SW-3111 | Washer (4@) | 16 |
| N-012 | 15029SN-3211 | Hex. Nut (M4-No2) | 16 |
| N-013 | 16013CL-CT01 | Timing Belt Fix Plate Y | 4 |
| N-014 | 16014AD-CT01 | Bearing Block Y | 2 |
| N-015 | 02015SC-7113 | HEX.SOCKET BOLT (M4*L10) | 16 |
| N-016 | STMO1-000001 | Y-Motor | 1 |
| N-017 | 15105SC-7113 | HEX.SOCKET SCREW (M4*L15) | 4 |
| N-018 | 18014SW-3115 | Spring Washer (@4-No2) | 4 |
| N-019 | 18015SW-3111 | Washer (4@) | 4 |
| N-020 | GP-013369-01 | Y Motor Bracket | 1 |
| N-021 | 08076SC-7113 | HEX. SOCKET BOLT (M5*L12) | 4 |
| N-022 | 18048SW-3115 | Spring Washer (5@) | 4 |
| N-023 | 18049SW-3111 | Washer (@5) | 4 |
| N-024 | 16024PU-CT01 | Y Motor Timing Timing Pulley | 1 |
| N-025 | 04012AF-A001 | Hook Shaft Bush Screw | 4 |
| N-026 | BE-000030-00 | Timing Belt | 1 |
| N-027 | 16027PR-CT01 | Y Tension Adjusting Bracket | 1 |
| N-028 | 18047SC-7113 | Hex/ Socket Bolt (M5*L15) | 2 |
| N-029 | 18048SW-3115 | Spring Washer (5@) | 2 |
| N-030 | 18049SW-3111 | Washer (@5) | 2 |
| N-031 | 15030SC-7113 | HEX. SOCKET BOLT (M5*L30) | 1 |
| N-032 | 12010SN-1211 | Hex.Nut (M5) | 2 |
| N-033 | 16033PU-CT01 | Y-Drive Timing Pulley | 1 |
| N-034 | 04012AF-A001 | Hook Shaft Bush Screw | 4 |
| N-035 | 16035SH-CT01 | Y-Drive Shaft | 1 |
| N-036 | 13033PU-T121 | Y-Drive Timing Pulley | 2 |
| N-037 | 04012AF-A001 | Hook Shaft Bush Screw | 4 |
| N-039 | 16059SC-7113 | HEX.SOCKET BOLT (M6*L12) | 2 |
| N-040 | 08057SW-1111 | Washer (@6) | 2 |
| N-041 | 13027CW-T121 | Bearing Collar | 1 |

| Ref. No | Part No. | Part Name | Q'ty |
|---------|--------------|----------------------------------|------|
| N-042 | 04012AF-A001 | Hook Shaft Bush Screw | 2 |
| N-043 | 13026BR-T121 | Needle Bearing (6002Z) | 2 |
| N-044 | 04012AF-A001 | Hook Shaft Bush Screw | 4 |
| N-045 | 13036AD-T121 | Y-Axis Tension Adjusting Base | 2 |
| N-046 | 03022SC-4517 | Hex. Socket Set Screw (M4*L5) | 4 |
| N-047 | 12017PU-T121 | Timing Pulley "A" | 2 |
| N-048 | 12018BR-T121 | Neddle Bearing Hk1010(Ina) | 4 |
| N-049 | 12019BR-T121 | Fiber Washer R-Tw1020 | 4 |
| N-050 | 15030SC-7113 | HEX. SOCKET BOLT (M5*L30) | 2 |
| N-051 | 12010SN-1211 | Hex.Nut (M5) | 2 |
| N-052 | 18049SW-3111 | Washer (@5) | 2 |
| N-053 | 14046SC-7113 | HEX.SOCKET BOLT (M6*L30) | 2 |
| N-054 | 16014SW-4115 | Spring Washer (@6) | 2 |
| N-055 | 08057SW-1111 | Washer (@6) | 2 |
| N-056 | 16058PR-CT01 | Y Sensor Plate | 1 |
| N-057 | 07018SC-8118 | Plus Screw (M3*L8) | 2 |
| N-058 | GP-013370-00 | Y Sensor Bracket | 1 |
| N-059 | 02015SC-7113 | HEX.SOCKET BOLT (M4*L10) | 2 |
| N-060 | 18014SW-3115 | Spring Washer (@4-No2) | 2 |
| N-061 | 18015SW-3111 | Washer (4@) | 2 |
| N-062 | AS-004014-00 | Y-Sensor Assy | 2 |
| N-063 | 07018SC-8118 | Plus Screw (M3*L8) | 2 |
| N-064 | 16069BR-CT01 | Y-Axis Bearing | 1 |
| N-065 | CA-000951-00 | Y-Bearing Bracket | 1 |
| N-066 | 25030EL-CT01 | Y-Origin Sensor To J/B | 1 |
| N-067 | 03204200T000 | Y-Frame Tension Shaft | 2 |
| N-068 | 03002700T000 | Bearing Collar | 2 |
| N-069 | CA-000950-00 | Y-Motor Encoder Connection Cable | 1 |
| | | | |
| | | | |
| | | | |
| | | | |
| | | | |
| | | | |
| | | | |
| | | | |
| | | | |
| | | | |
| | | | |
| | | | |
| | | | |
| | | | |

O

Spool Stand

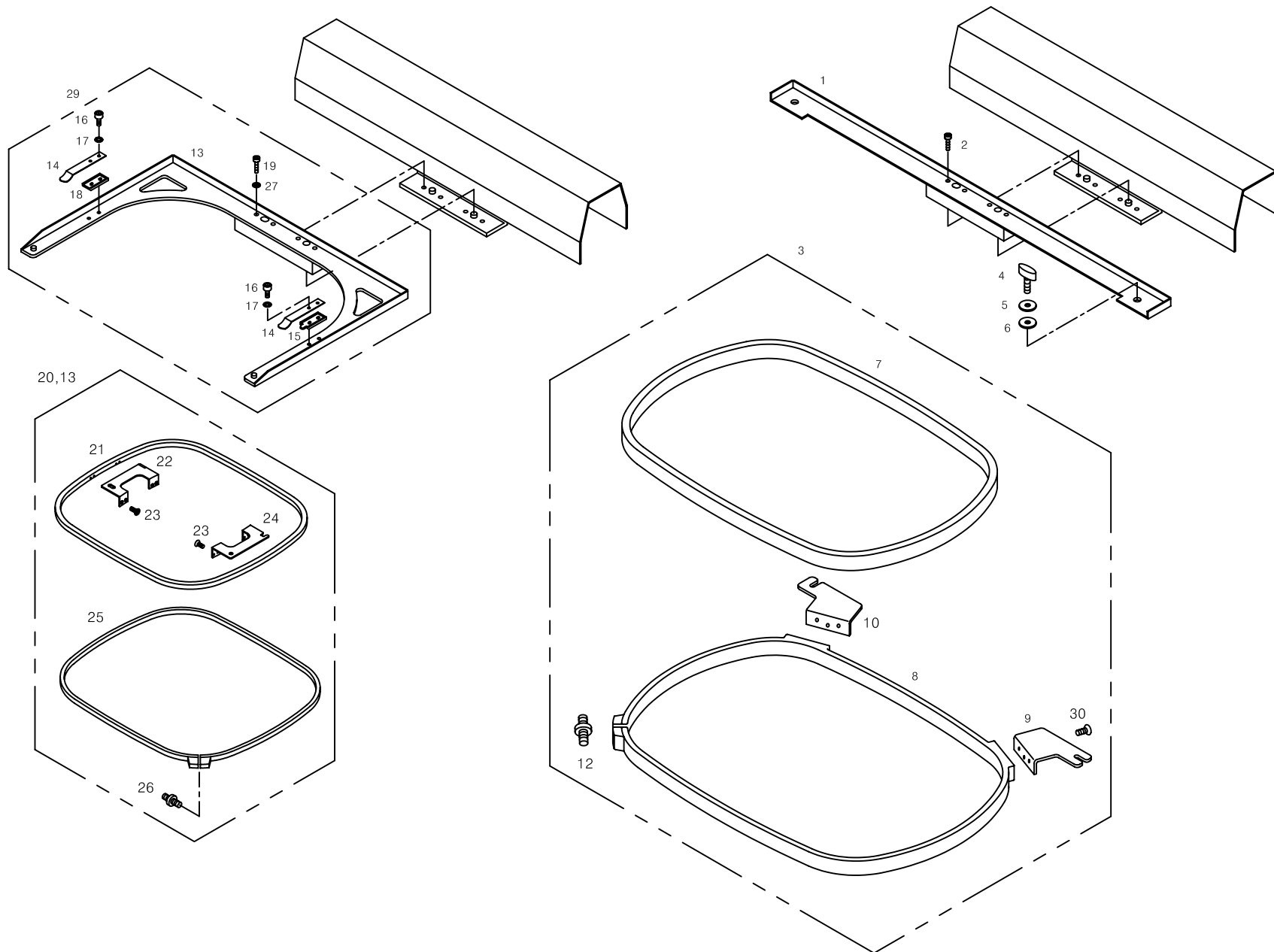


| Ref.No | Part No. | Part Name | Q'ty |
|--------|--------------|------------------------------------|------|
| O-001 | GP-013365-01 | Spool Plate Support | 1 |
| O-002 | 02002SC-7119 | PLUSS SCREW (M4*L8) (6,9C) | 4 |
| | 02002SC-7119 | PLUSS SCREW (M4*L8) (12,15C) | 2 |
| O-003 | 18153SC-3123 | Plus Screw (M4*L10) | 2 |
| O-004 | 12009SC-A001 | Spool Post | 6 |
| O-005 | 18049SW-3111 | WASHER (@5) | 6 |
| O-006 | 12010SN-1211 | Hex.Nut (M5) | 6 |
| O-007 | 18048SW-3115 | SPRING WASHER (5@) | 6 |
| O-008 | 12012PM-A001 | Spool Holder | 6 |
| O-009 | 12052SF-A001 | Spool Sponge | 6 |
| O-010 | 12011PM-CT06 | Spool (6C) | 1 |
| | 12011PM-CT09 | Spool (9C) | |
| | 12012PM-CT12 | Spool (12C) | |
| | 12012PM-CT15 | Spool (15C) | |
| O-011 | 12042PM-A001 | Eyelet | 12 |
| O-012 | GP-013358-00 | Spool Plate | 1 |
| O-013 | 18047SC-7113 | Hex/ Socket Bolt (M5*L15) (6,9C) | 2 |
| | 18047SC-7113 | Hex/ Socket Bolt (M5*L15) (12,15C) | 3 |
| O-014 | 12017CW-CT01 | Thread Guide Stud | 6 |
| O-015 | 12018SP-CT01 | Thread Guide Spring | 6 |
| O-016 | 12019PR-CT01 | Thread Guide Press Plate | 6 |
| O-017 | 12020CW-CT06 | Thread Guide Base Plate | 2 |
| | 12021CW-CT12 | Thread Guide Base Plate | |
| O-018 | 18153SC-3123 | Plus Screw (M4*L10) | 4 |
| O-019 | 12025PM-CT06 | Tube Holder Base A (6C) | 2 |
| | 12025PM-CT09 | Tube Holder Base A (9C) | 1 |
| | 12026PM-CT09 | Tube Holder Base A (9C) | 1 |
| | 12026PM-CT12 | Tube Holder Base A (12C) | 2 |
| | 12025PM-CT09 | Tube Holder Base A (15C) | 2 |
| | 12026PM-CT15 | Tube Holder Base A (15C) | 1 |
| O-020 | 15163SC-3123 | Truss Screw (M3*L12) (6,9C) | 4 |
| | 15163SC-3123 | Truss Screw (M3*L12) (12,15C) | 6 |
| O-021 | 06011SW-2111 | Washer (@3) (6,9C) | 4 |
| | 06011SW-2111 | Washer (@3) (12,15C) | 6 |
| O-022 | 11019SW-9115 | Spring Washer (3@) (6,9C) | 4 |
| | 11019SW-9115 | Spring Washer (3@) (12,15C) | 6 |
| O-023 | 05057SN-3211 | Hex. Nut (M3-No2) (6,9C) | 4 |
| | 05057SN-3211 | Hex. Nut (M3-No2) (12,15C) | 6 |
| O-024 | 12031ET-CT01 | Holder Tube | 12 |
| O-025 | 12032RB-CT06 | Spool Plate Hem Rubber (6C) | 1 |
| | 12032RB-CT09 | Spool Plate Hem Rubber (9C) | |
| | 12033RB-CT12 | Spool Plate Hem Rubber (12C) | |
| | 12033RB-CT15 | Spool Plate Hem Rubber (15C) | |

| Ref. No | Part No. | Part Name | Q'ty |
|---------|--------------|--|------|
| O-026 | 25281CW-CT01 | Adjusting Shaft For Tension | 1 |
| O-027 | 25282PR-CT01 | Plate For Thread Guide | 1 |
| O-028 | 25283PR-CT01 | Disk For Thread Guide | 2 |
| O-029 | 25284SP-CT01 | B/W Tention Spring | 1 |
| O-030 | 25029SN-CT01 | Hex.Nut (15/64" N=28) | 1 |
| O-031 | 08057SW-1111 | Washer (@6) | 1 |
| O-032 | 16014SW-4115 | Spring Washer (@6) | 1 |
| O-033 | GP-013356-00 | Tention Adjusting Device Plate (6,9C) | 1 |
| O-034 | 15084SC-7119 | C.S SCREW (M4*L6) | 2 |
| O-035 | 12034AF-CT01 | Rubber Tube | 6 |
| O-036 | 12020BM-CT06 | Thread Guide Base (Set) (6C) | 2 |
| | 12020BM-CT09 | Thread Guide Base (Set) (9C) | 1 |
| | 12021BM-CT09 | Thread Guide Base (Set) (9C) | 1 |
| | 12021BM-CT12 | Thread Guide Base (Set) (12C) | 2 |
| | 12020BM-CT09 | Thread Guide Base (Set) (15C) | 2 |
| | 12021BM-CT15 | Thread Guide Base (Set) (15C) | 1 |
| | | | |
| O-037 | 18049SW-3111 | Washer (@5) | 3 |
| O-038 | GP-014980-00 | Spool Plate (6C) | 1 |
| | GP-013364-00 | Spool Plate (9C) | |
| | GP-014981-00 | Spool Plate (12C) | |
| | GP-014982-00 | Spool Plate (15C) | |
| O-039 | 12035PR-CT06 | SPOOL STAND "A" (6,9C) | 1 |
| | 12036PR-CT15 | SPOOL STAND "A" (12C) | |
| | 12036PR-CT15 | SPOOL STAND "A" (15C) | 2 |
| O-040 | 12037PR-CT01 | SPOOL STAND "B" (6,9,12C) | 1 |
| | 12037PR-CT15 | SPOOL STAND "B" (15C) | 2 |
| O-041 | 12038PR-CT01 | SPOOL STAND "C" (6,9,12C) | 1 |
| | 12038PR-CT15 | SPOOL STAND "C" (15C) | 2 |
| O-042 | 15042SC-3123 | TRUSS SCREW (M4*L6) | 4 |
| O-043 | 04010MC-7113 | HEX.SOCKET BOLT (M4*L10) | 4 |
| O-044 | 02028SW-9115 | SPRING WASHER (@4) | 4 |
| O-045 | 18015SW-3111 | WASHER (4@) | 4 |
| O-046 | 25000002C000 | THREAD TENSION ADHESION PLATE (6,9C) | 1 |
| | 25000004C000 | THREAD TENSION ADHESION PLATE (12,15C) | |
| O-047 | 08300600A000 | SUB TENSION ADJUSTING NUT(A) | 1 |
| | | | |
| | | | |
| | | | |
| | | | |
| | | | |
| | | | |
| | | | |
| | | | |
| | | | |
| | | | |
| | | | |
| | | | |
| | | | |
| | | | |
| | | | |
| | | | |
| | | | |
| | | | |
| | | | |

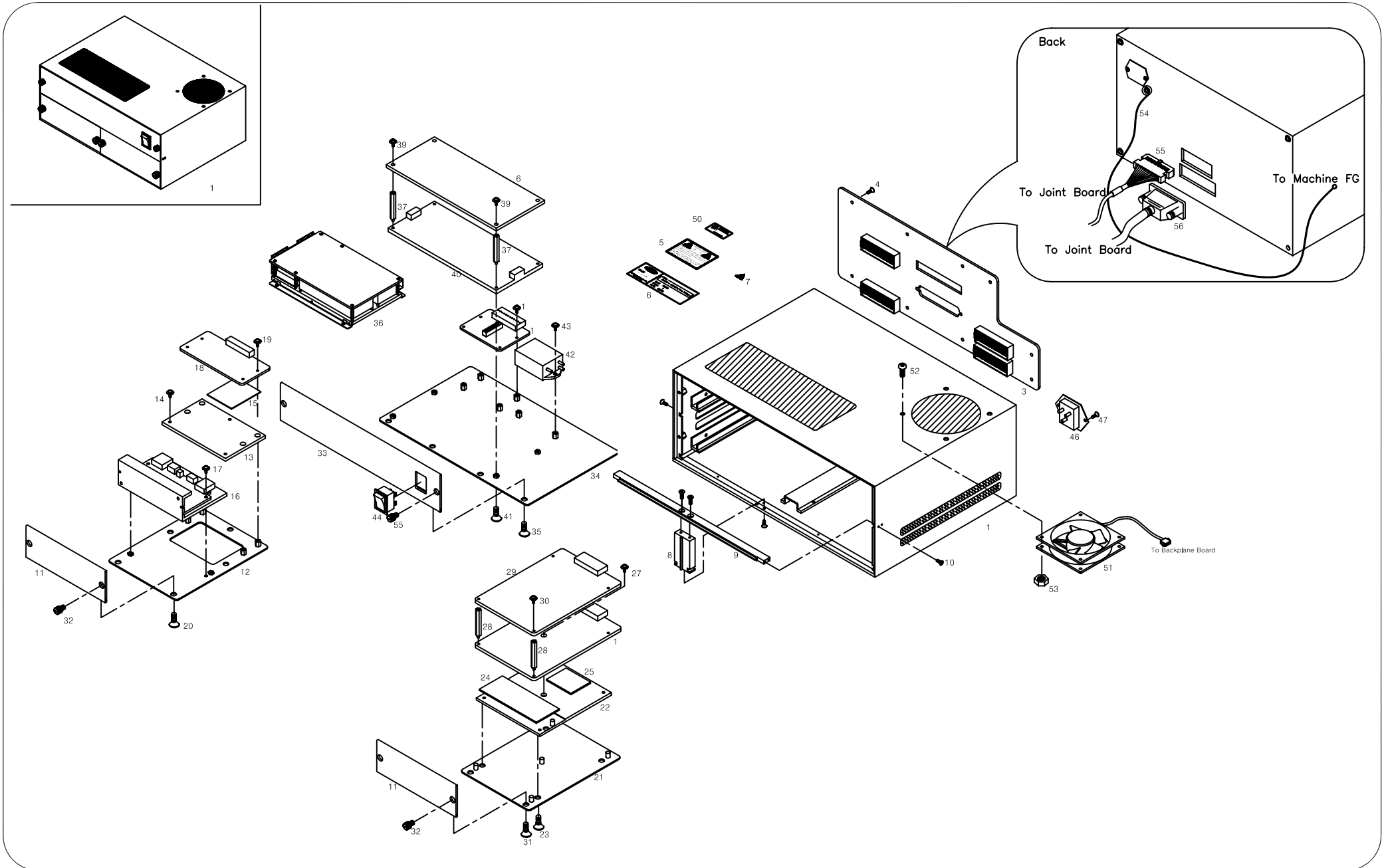
P

Border & Tubular Frame



Q

Main Controller

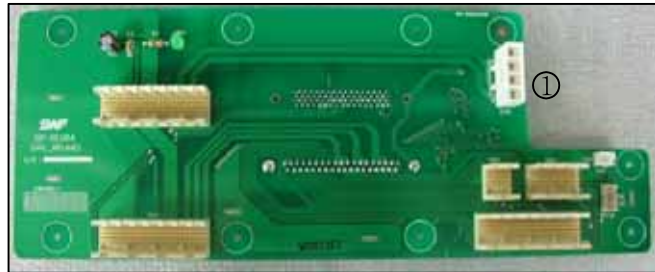


| Ref.No | Part No. | Part Name | Q'ty |
|--------|--------------|--|------|
| Q-001 | SWF-0000445 | Control Box Ass'y | 1 |
| Q-002 | GP-015648-01 | Control Box | 1 |
| Q-003 | BD-000298-00 | Back plane Board | 1 |
| Q-004 | 10-020M-SW66 | Screw Ass'y for Back plane Board (M3xL12) | 9 |
| Q-005 | GP-015659-00 | Voltage Sticker | 1 |
| Q-006 | 04-004S-AU10 | Warning Sticker | 1 |
| Q-007 | 04-003S-AU10 | Electric Shock Attention Sticker | 1 |
| Q-008 | GP-015662-00 | Cover Guide for Front A | 1 |
| Q-009 | GP-015663-00 | Cover Guide for Front B | 1 |
| Q-010 | 10-004M-SW68 | Screw for Cover Guide (M3xL5) | 8 |
| Q-011 | GP-015660-00 | Front Cover(A) | 2 |
| Q-012 | GP-015650-00 | Main Driver Board Bracket | 1 |
| Q-013 | GP-015652-00 | Main Driver Board Radiator | 1 |
| Q-014 | SC-000391-00 | Screw for Main Driver Board Radiator (M4xL5) | 3 |
| Q-015 | GP-015654-00 | Main Driver Board Radiator Sheet | 1 |
| Q-016 | EP-000031-00 | Main Driver | 1 |
| Q-017 | 10-028S-SC53 | Screw Ass'y Main Board (M3xL7) | 2 |
| Q-018 | BD-000285-00 | DDC Board | 1 |
| Q-019 | 10-028S-SC53 | Screw Ass'y for DDC Board (M3xL7) | 4 |
| Q-020 | 06-001C-SE50 | Screw for Main Driver Bracket (M4xL8) | 2 |
| Q-021 | GP-015651-00 | XY Driver Board Bracket | 1 |
| Q-022 | GP-008106-00 | XY Driver Board Radiator | 1 |
| Q-023 | SC-000391-00 | Screw for XY Driver Board Radiator (M4xL5) | 4 |
| Q-024 | GP-009045-00 | XY Driver Board Radiator Sheet | 1 |
| Q-025 | GP-009032-00 | XY DDC Radiator Sheet | 1 |
| Q-026 | BD-000198-00 | XY Driver Board | 1 |
| Q-027 | 10-028S-SC53 | Screw Ass'y XY Driver Board (M3xL7) | 1 |
| Q-028 | 10-006S-AT10 | XY Driver Stud (3-5-20) | 4 |
| Q-029 | BD-000197-02 | I/O Board | 1 |
| Q-030 | 10-028S-SC53 | Screw Ass'y I/O Board (M3xL7) | 4 |
| Q-031 | 06-001C-SE50 | Screw for XY Driver Bracket (M4xL8) | 2 |
| Q-032 | SC-000406-00 | Screw for Control Box Front Cover (A) | 4 |
| Q-033 | GP-015661-01 | Control Box Front Cover(B) | 1 |
| Q-034 | GP-015649-01 | SMPS Bracket | 1 |
| Q-035 | SC-000391-00 | Screw for SMPS Bracket (M4xL5) | 4 |
| Q-036 | EP-000029-00 | SMPS | |
| Q-037 | GP-010543-01 | SMPS Cover Stud (3-5-50) | 4 |
| Q-038 | GP-015653-00 | SMPS Radiator | 1 |
| Q-039 | 10-028S-SC53 | Screw Ass'y SMPS Radiator (M3xL7) | 4 |
| Q-040 | BD-000293-00 | Unit SMPS Board | 1 |

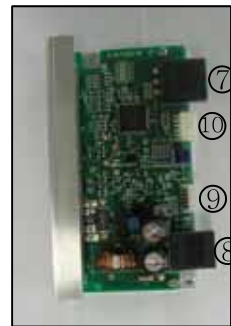
| Ref. No | Part No. | Part Name | Q'ty |
|---------|---------------|---------------------------------------|------|
| Q-041 | 10-028S-SC53 | Screw Ass'y Unit Board (M3xL7) | 4 |
| Q-042 | GP-007476-00 | Noise Filter | 1 |
| Q-043 | 10-028S-SC53 | Screw for Noise Filter (M3xL7) | 2 |
| Q-044 | EP-000032-00 | MAIN POWER SWITCH | 1 |
| Q-045 | SC-000406-00 | Screw for Control Box Front Cover (B) | 2 |
| Q-046 | EP-000028-00 | POWER SOCKET | 1 |
| Q-047 | 10-004M-SW68 | Screw for POWER SOCKET (M3xL5) | 2 |
| Q-048 | 01-004C-NET1 | Bed Rubber | 4 |
| Q-049 | GP-010751-00 | Fuse Sticker | 1 |
| Q-050 | 09-023C-SC-53 | QC Passed Sticker | 1 |
| Q-051 | EP-000040-00 | Fan | 1 |
| Q-052 | SC-000392-00 | Screw for Fan(M4*L30) | 4 |
| Q-053 | 09-041S-3701 | Fan Nut(M4) | 4 |
| Q-054 | CA-001099-00 | Control Box To M/C F*G | 1 |
| Q-055 | CA-000946-00 | Control Box To Joint Board(69P) | 1 |
| Q-056 | CA-000945-01 | Control Box To Joint Board(37P) | 1 |
| | | | |
| | | | |
| | | | |
| | | | |
| | | | |
| | | | |
| | | | |
| | | | |
| | | | |
| | | | |
| | | | |
| | | | |
| | | | |
| | | | |
| | | | |
| | | | |
| | | | |
| | | | |
| | | | |
| | | | |
| | | | |
| | | | |
| | | | |

Q1

Main Controller Cable



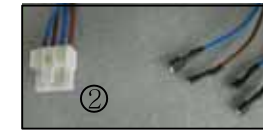
Back Plane Board



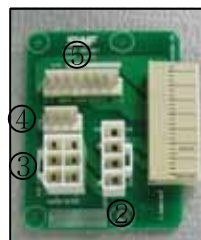
Main Board



DDC Board



SMPS



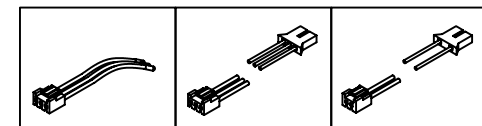
Unit SMPS Board



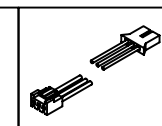
X-Y Board



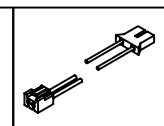
I/O Board



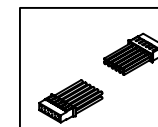
1



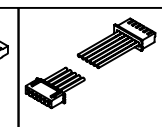
7



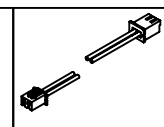
8



9



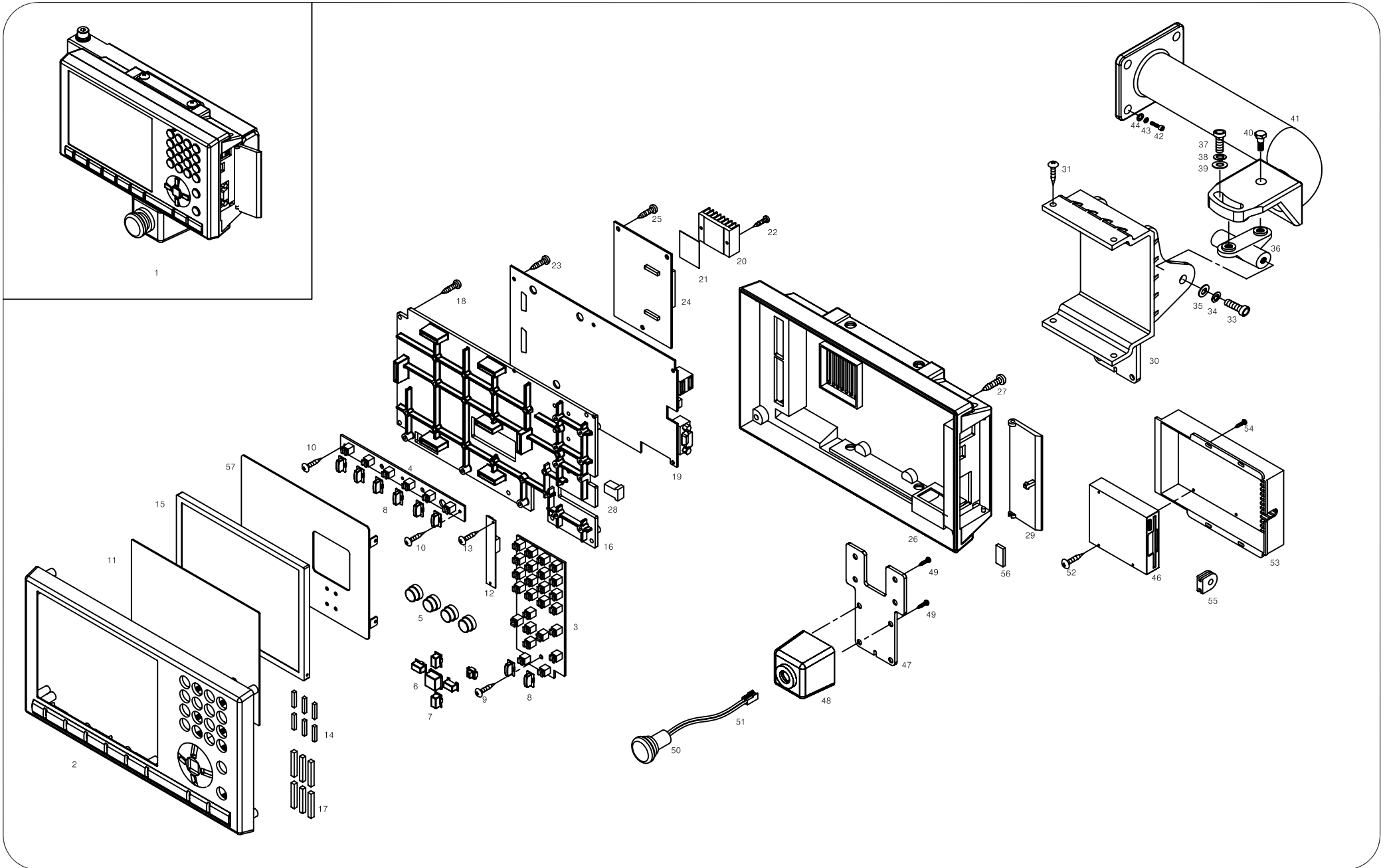
10

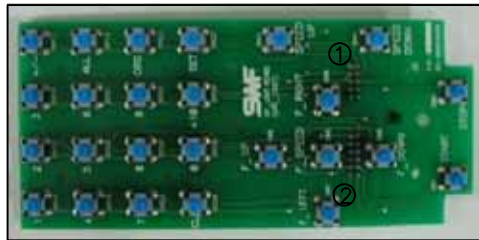


6

R

Operation Unit





Key Board(A)



Key Board(B)



LCD Inverter



①



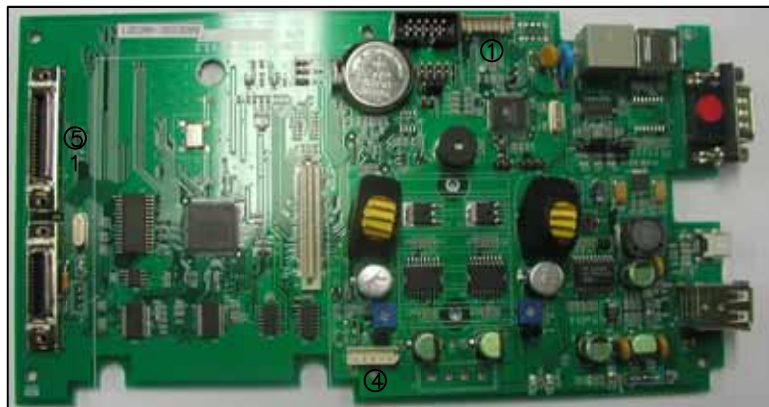
②



③



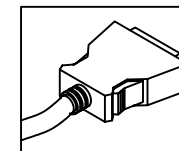
④



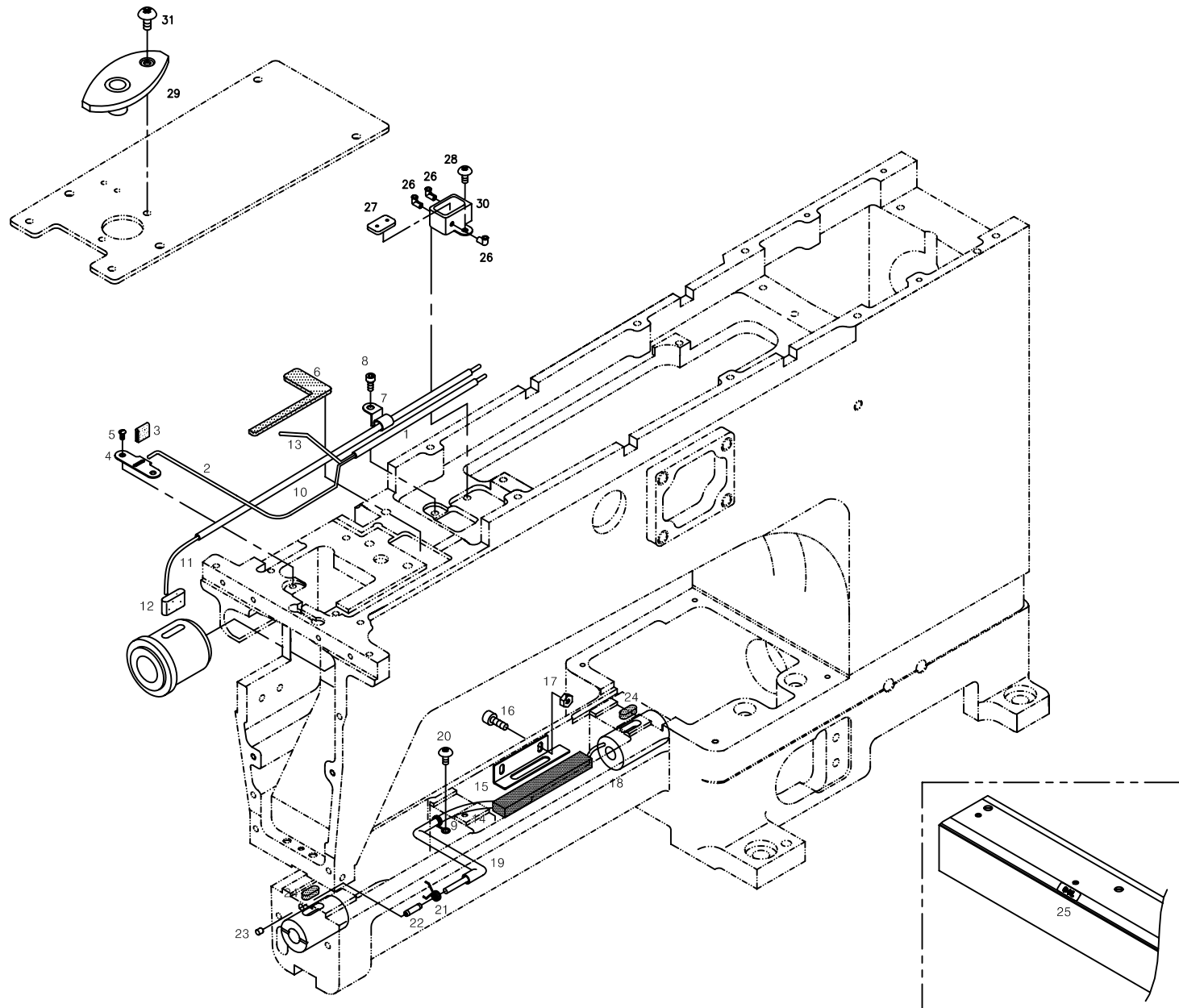
Base Board



CPU Board



⑤



T

Lamp

