

PARTS BOOK

E-Series Single Head

E-T1201

PME-090718

Warning

1. 본 책자는Parts Book으로 제작되었으므로 매뉴얼로 사용 불가합니다.
2. 조에 속한 파트는 개별 조립 시 제품의 파손 또는 재봉 불량일 수 있어 해당 파트에 대한 주문 시에는 조 품목으로만 구입이 가능합니다.
3. 당사의 Part Book은 다음과 같은 순서로 분류되어 있으니 제품을 구입한 소비자께서는 다음과 같은 순서로 제품을 검색하여 주십시오.

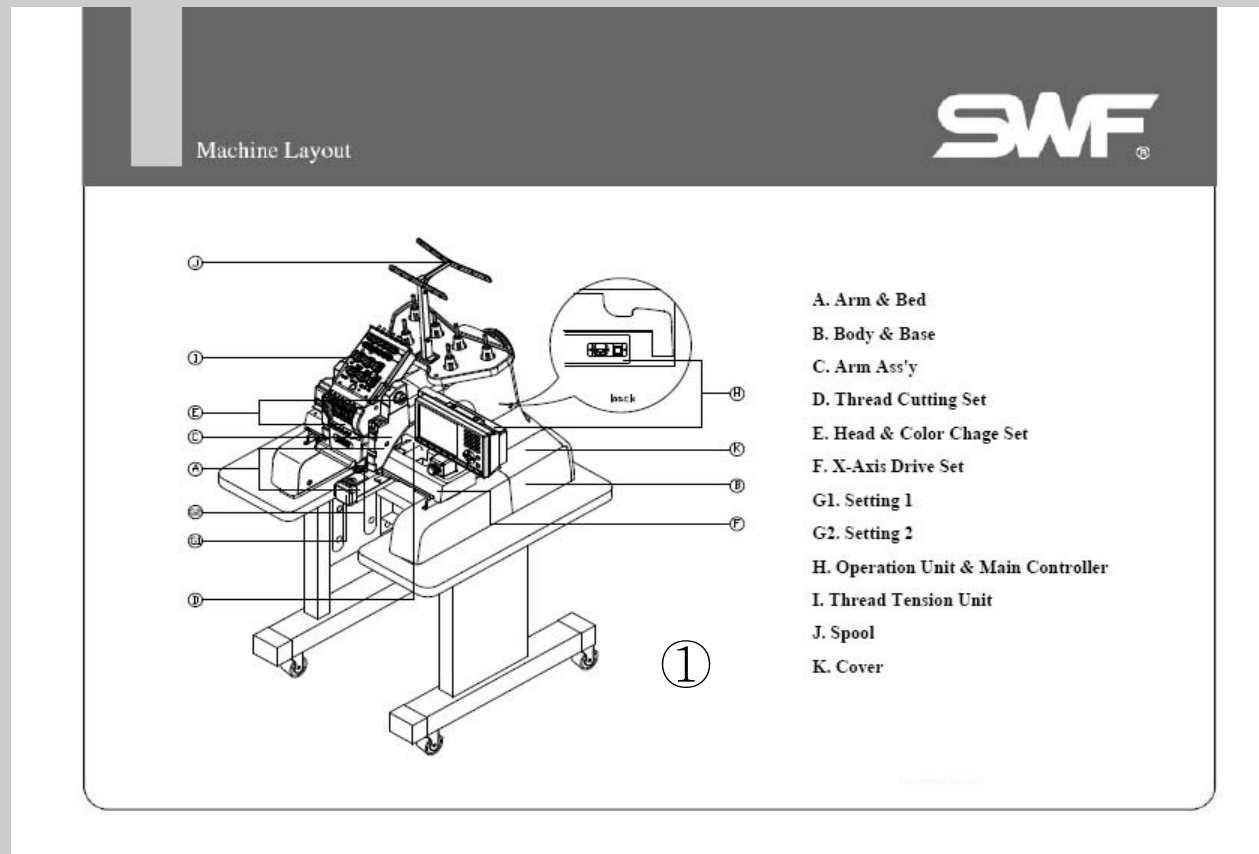
- 1) Machine Layout
- 2) Section
- 3) Part List

1. This is a parts book. It cannot be used as a manual.
2. The parts classified as ass'y items may cause damage to the machine or bad sewing when they are separately assembled.
Hence, when they are ordered, they can be purchased as ass'y items only.
3. The Part Book is classified as below and users could search products in the following order.

- 1) Machine Layout
- 2) Section
- 3) Part List

Information

A. Structure of Part Book 1. Machine Layout



Information

A. Structure of Part Book

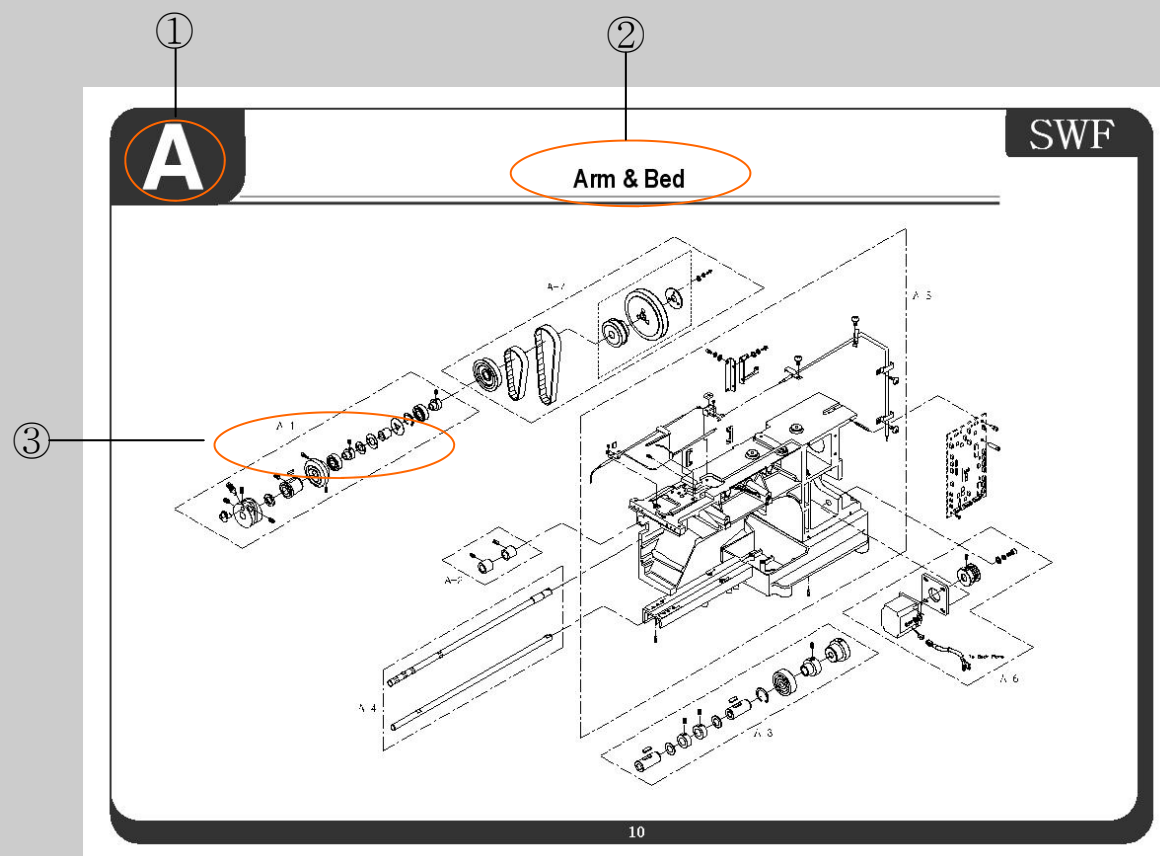
2. Section

① : Index Number

② : Index Group

③ : Related Parts

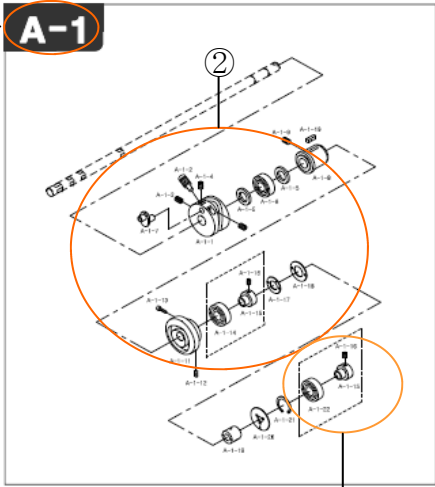
Ex) A-1, A-2, A-3...



Information

A. Structure of Part Book 3. Part List

① **A-1**



Note

③ Ref.No	④ Part No.	⑤ Part Name	⑥ Applied Period	⑦ Interchangeable	⑧ Hardness	⑨ Qty	⑩ Remark
A-1-1	01018CM-T909	Twice-up Letter Drivink Cam	~ Oct-08-07			1	
A-1-1	02-033421-00	Twice-up Letter Drivink Cam	Oct-08-07 ~	X		1	
A-1-2	01017CW-T121	Cam Screw (8/32x28L=17)				1	
A-1-3	010185C-4313	Screw (11/64"x28 L=7.5)			0	1	
A-1-4	010185C-4313	Hex. Socket Set Screw (1/4" x28 L=4.5)				1	
A-1-5	08028RR-A001	Washer				2	
A-1-6	08028RR-A001	Washer				1	
A-1-7	01020PH-T902	Steele Bar Crank				1	
A-1-8	01012MP-T121	Upper Shaft Bushing (H)				1	
A-1-9	030045C-4317	Screw (1/8"x28 L=14)			0	3	
A-1-10	01014SP-T121	Felt				1	
A-1-11	05073CM-C101	Presser Foot Drivink Cam				1	
A-1-12	04012AP-A001	Screw (1/8"x28)			0	3	
A-1-13	110985C-4313	Screw (M4xL20)			0	1	
A-1-14	01028RR-A001	Washer (600422)				1	
A-1-15	030009001000	Washer Collar				2	
A-1-16	04012AP-A001	Screw (1/8"x28)			0	3	
A-1-17	WS-00018R-00	Washer				0	1
A-1-18		Code Wheel				1	
A-1-19	CL-000097-00	Collar				1	
A-1-20	02-016534-01	Special Plate				1	
A-1-21	030185R-4013	C-Ring (H47)			0	1	
A-1-22	030185R-T121	Washer (600422)				0	1

Note) * : Checks the timing of application.

① Index Number
Ex) A-1, A-2...

② Part View

Information

A. Structure of Part Book

③ Ref. No

④ Part No

Ex)

Category	CODE	Remark
Old part	16009SC-4113	
New part	AS -000000-00	Set parts (Set 구성품)
	GP -000000-00	Instrumental parts (기구적 파트)
	EP -000000-00	Electrical parts (전기적 파트)

⑤ Parts Name : 파트들의 고유 품명을 표기 : Refers to unique names of parts

⑥ Applied Period

Ex1) 2007년2월10일 적용, 2008년7월10일 폐기
-> Feb.10.07 ~ Jul.10.08

Ex1) Applied from Feb. 10, 2007, To on July 10, 2008
-> Feb.10.07 ~ Jul.10.08

Ex2) 2007년 2월 10일 부터 파트북 발행일 까지 적용
-> Feb.10.07 ~

Ex2) Applied from Feb. 10, 2007
-> Feb.10.07 ~

Information

A. Structure of Part Book

⑦ Interchangeability

O : 구 부품을 신 부품으로 교환 가능

신 부품을 구 부품으로 교환 가능

: It is interchangeable between old and new part.

X : 구 부품을 신 부품으로 교환 불가능

신 부품을 구 부품으로 교환 불가능

: It is not interchangeable between old and new part.

△ : 구 부품을 신 부품으로 교환 가능

신 부품을 구 부품으로 교환 불가능

: It is interchangeable by new part only.

Interchangeability		
O	X	△
Old -> New: OK	Old -> New: NO	Old -> New: OK
New -> Old : OK	New -> Old : No	New -> Old : No

⑧ Hardware : 시중에서 구매 할 수 있는 부품

: Parts that can be purchased in the market

⑨ Q'ty : 사용 파트의 수량을 표기

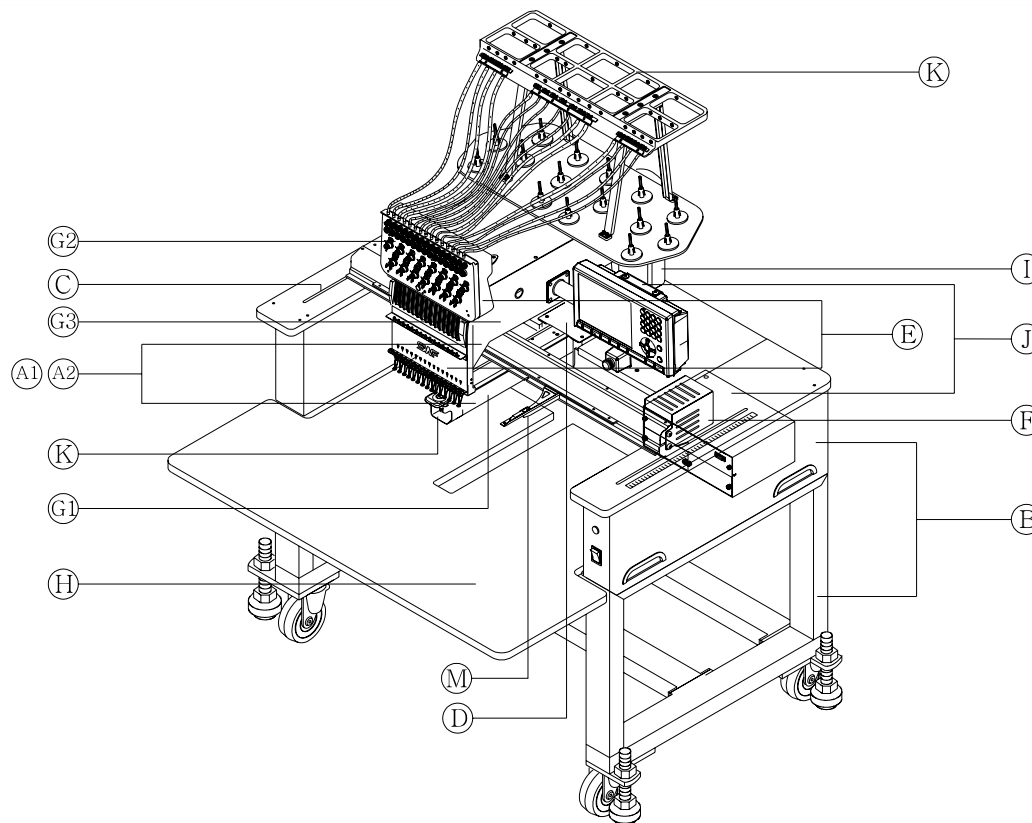
: Quantity of part

⑩ Remark

⑪ Index Number

⑫ 조 및 프레스폼 ...

Set & Press Part ...



A1. Arm & Bed 1

A2. Arm & Bed 2

B. Body & Stand Base

C. Y-Axis Drive Set

D. Thread Cutting Set

E. Head & Color Change Set

F. X-Axis Drive Set

G1. Setting 1

G2. Setting 2

G3. Setting 3

H. Table

I. Set-Up

J. Op Box & Con Box

K. Spool

L. Cover

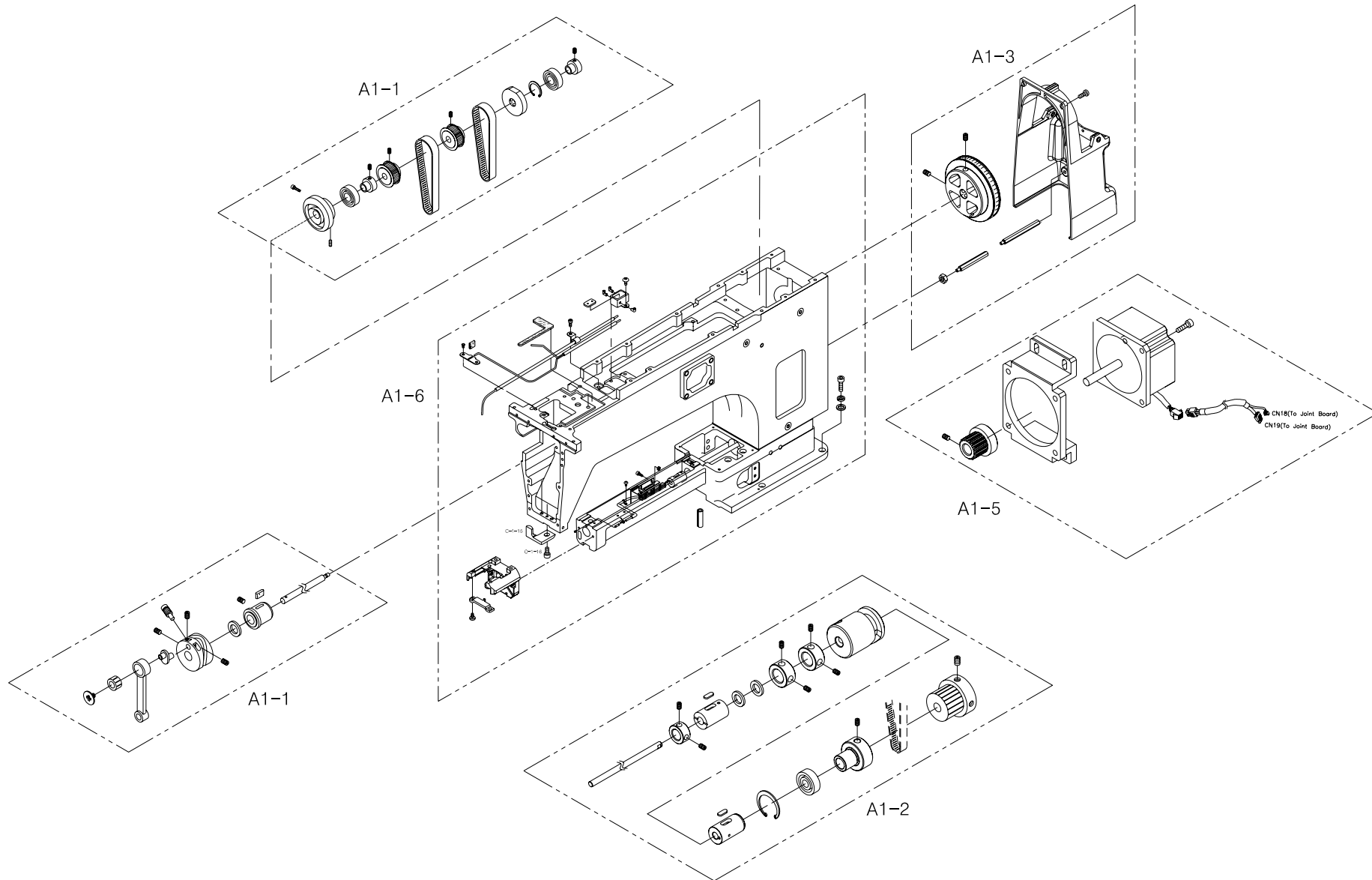
M. Border Frame



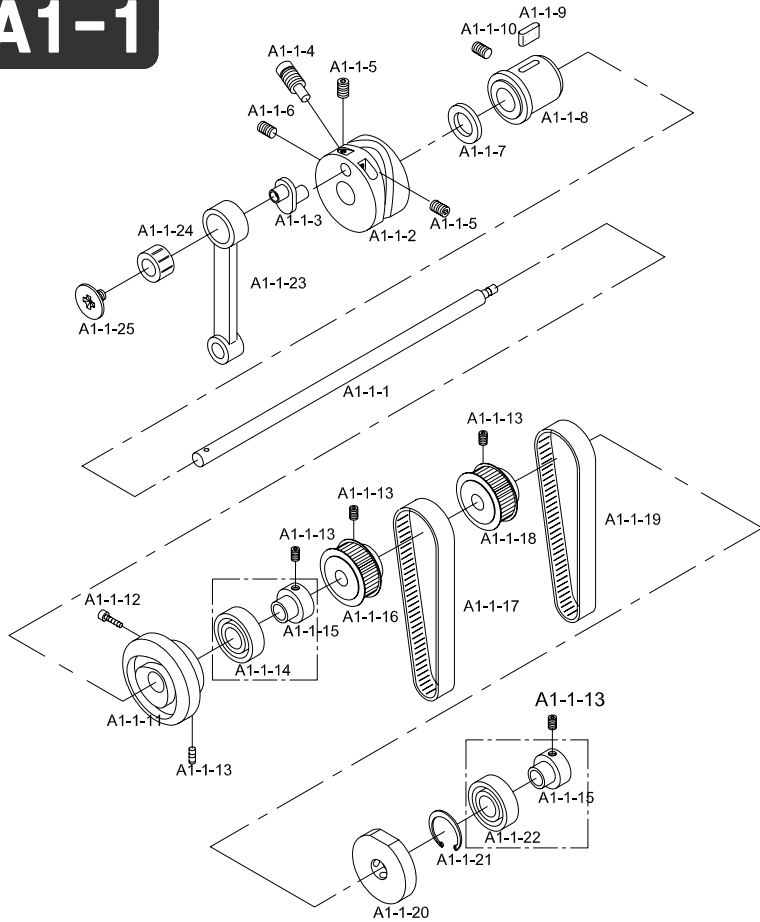
CONTENT

A1	Arm & Bed 1	10
A2	Arm & Bed 2	16
B	Body & Stand Base	21
C	Y- Axis Drive Set	24
D	Thread Cutting Set	30
E	Head & Color Change	34
F	X- Axis Drive Set	39
G1	Setting 1	44
G2	Setting 2	49
G3	Setting 3	53
H	Table	57
I	Set-Up	60
J	Op Box & Con Box	62
K	Spool	71
L	Cover	74
M	Border Frame	83

Arm & Bed 1



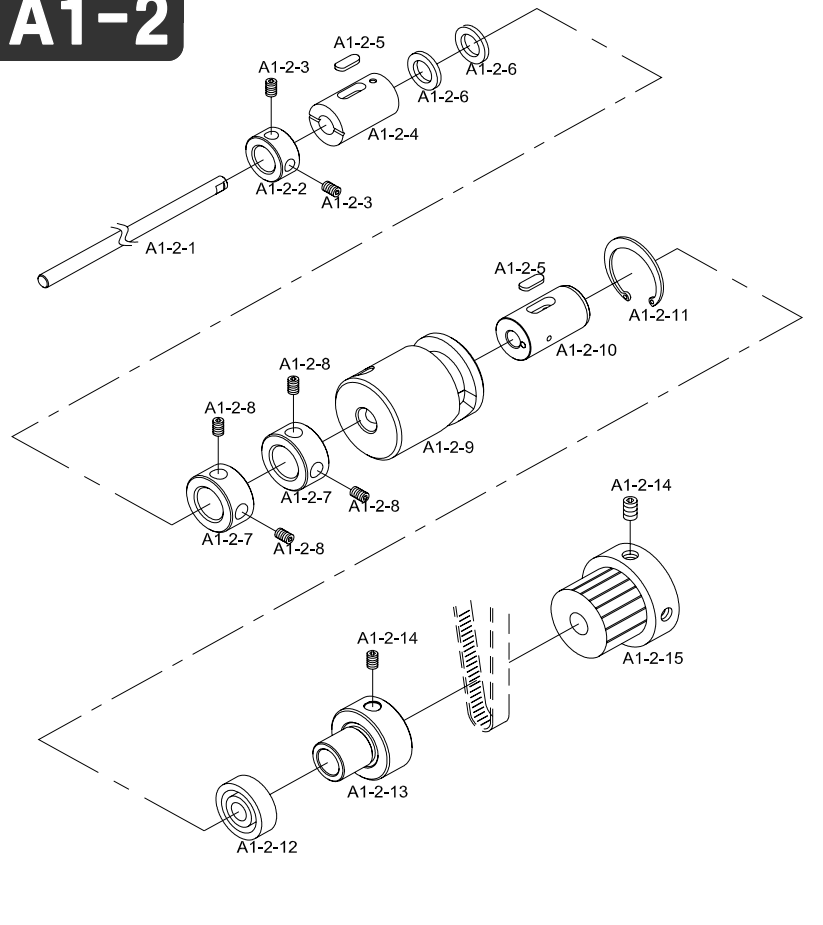
A1-1



Note

Ref.No	Part No.	Part Name	Applied Period	Interchangeability	Hardware	Qty	Remark
A1-1-1	GP-022102-00	Upper Shaft	Oct,09,06 ~ Oct,29,06			1	
	GP-022102-01		Oct,30,06 ~			1	
A1-1-2	01016CM-T121	Take-Up Lever Driver Cam				1	
A1-1-3	01020FH-T121	Needle Bar Crank				1	
A1-1-4	01017CW-T121	Cam Screw (9/32N=28L=17)				1	
A1-1-5	04016AF-A001	Hex. Socket Set Screw(B) (1/4" N=40 L=6)				1	
A1-1-6	01018SC-4515	Cam Screw(A) (15/64"N=28 L=7.5)				1	
A1-1-7	01015PR-T121	Washer				1	
A1-1-8	01012MP-T121	Upper Shaft Bush				1	
A1-1-9	01014SF-T121	Felt				1	
A1-1-10	03004SC-4517	Screw (15/64-28 L=14)				1	
A1-1-11	03073CM-CT01	Presser Foot Driver Cam				1	
A1-1-12	11029SC-4113	Screw (M4*L20)			O	1	
A1-1-13	04012AF-A001	Hook Shaft Bush Screw (15/64" N=28, L=6)				9	
A1-1-14	01029BR-A001	Ball Bearing (6004ZZ)				1	
A1-1-15	03000900T000	Bearing Collar				2	
A1-1-16	01005PU-T121	Upper Shaft Timing Pulley				1	
A1-1-17	01043BT-T902	Timing Belt				1	
A1-1-18	GP-008324-00	Upper Shaft Timing Pulley (B)	Apr,04,05 ~			1	
A1-1-19	01043BT-T902	Timing Belt				1	
A1-1-20	GP-008781-00	Stopping Wheel For Upper Shaft	Apr,25,05 ~			1	
A1-1-21	03010SR-4013	C-Ring (@47)				1	
A1-1-22	03013BR-T121	Ball Bearing (6204ZZ)			O	1	
A1-1-23	01021FH-T121	Crank Rod				1	
A1-1-24	01022BR-T121	Needle Bearing (KT8128)				1	
A1-1-25	01023CW-T121	Crank Screw (9/64" N=40)				1	

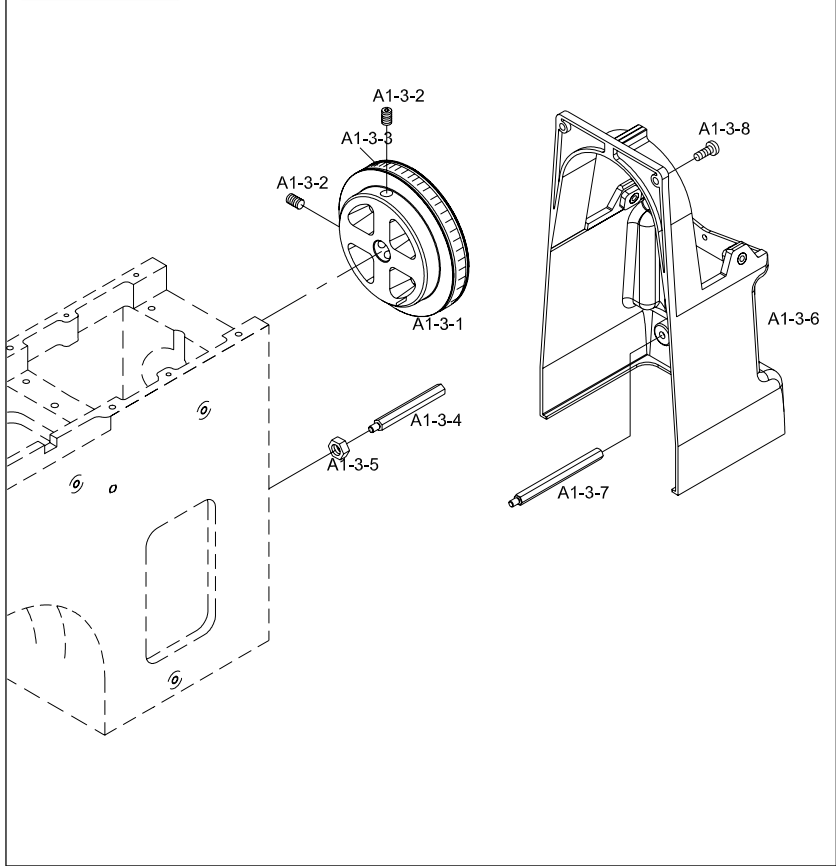
A1-2



Note

Ref.No	Part No.	Part Name	Applied Period	Interchangeability	Hardware	Qty	Remark
A1-2-1	02000200T000	Lower Shaft				1	
A1-2-2	03707300A000	Collar For Mes Driving Solenoid				1	
A1-2-3	08113SC-A001	Hex. Socket Set Screw(11/64,N=40,L6)				2	
A1-2-4	GP-016931-00	Lower Shaft Bush (Front)	Apr,06,06 ~			1	
A1-2-5	32043SF-T121	Front Bushing Felt				2	
A1-2-6	02004BR-T121	Washer For Hook Shaft				2	
A1-2-7	08033CW-T121	Mes Cam Position Collar				2	
A1-2-8	SC-001110-00	Hex. Socket Set Screw (11/64"n=40)	Sep,01,07 ~			4	
A1-2-9	08036CM-T121	Mes Cam				1	
A1-2-10	02001000T000	Lower Shaft Bush (Middle)				1	
A1-2-11	04012SR-4013	C-Ring (@32)				1	
A1-2-12	02015BR-T121	Bell Bearing (6201ZZ)			O	1	
A1-2-13	02001600T000	Lower Shaft Bearing Stopper Collar				1	
A1-2-14	04012AF-A001	Hex. Socket Set Screw (15/64"n=28)				3	
A1-2-15	02018PU-T121	Lower Shaft Driving Timing Pulley				1	

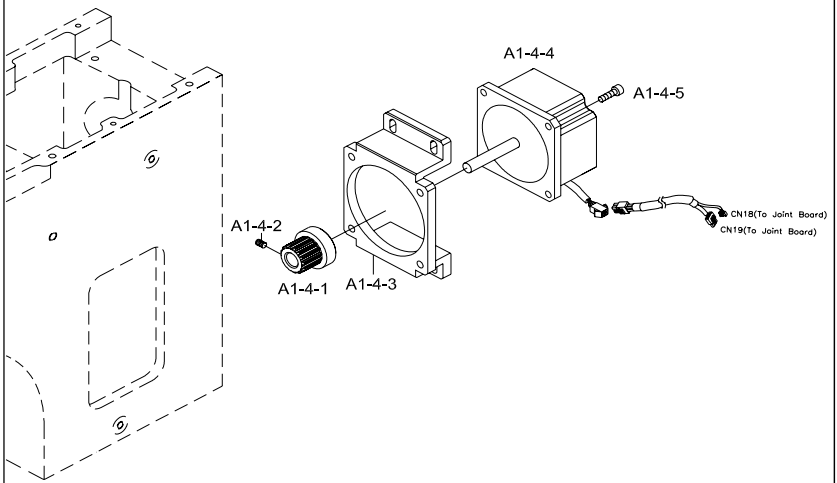
A1-3



Ref.No	Part No.	Part Name	Applied Period	Interchangeability	Hardware	Qty	Remark
A1-3-1	GP-038115-01	Hand Pulley	Apr,17,08 ~			1	
A1-3-2	14044SC-4517	Hex.Socket Set Screw (M8*L10)			O	4	
A1-3-3	03030ET-T121	Sticker				1	
A1-3-4	GP-022103-00	Encoder Stud Bolt	Oct,09,06 ~ Nov,30,06			1	
	GP-022103-01		Dec,01,06 ~			1	
A1-3-5	18083SN-3211	Hex.Nut (M5)			O	1	
A1-3-6	GP-023836-00	BELT COVER (A)	Dec,01,06			1	
A1-3-7	02003CW-T121	Belt Cover Stud Bolt "A"				2	
A1-3-8	18153SC-3123	Hex.Socket Set Screw (M5*L6)			O	7	

Note

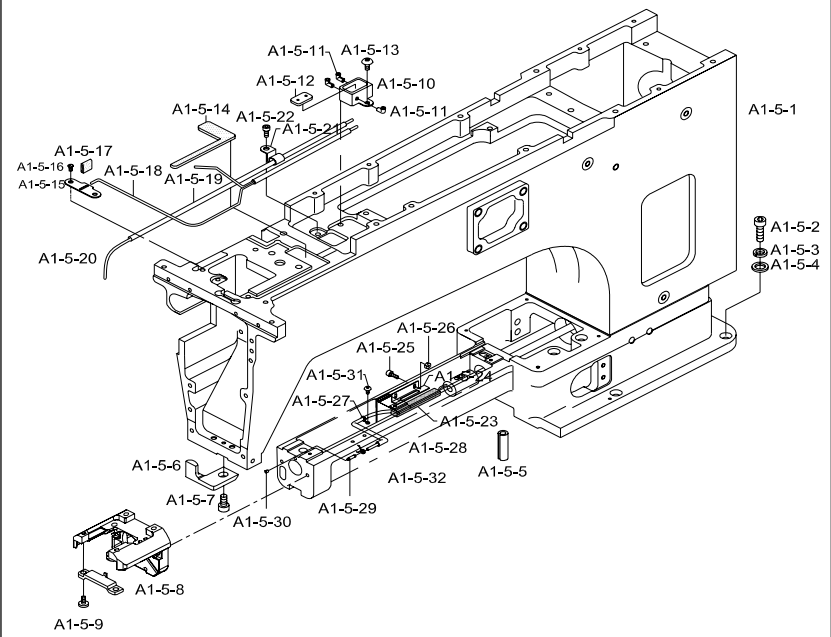
A1-4



Ref.No	Part No.	Part Name	Applied Period	Interchangeability	Hardware	Qty	Remark
A1-4-1	GP-008363-00	Timing Pulley for Main Motor				1	
A1-4-2	04012AF-A001	Hook Shaft Bush Screw			O	2	
A1-4-3	GP-021283-00	Main Motor Bracket	Sep,16,06 ~ Oct,29,06			1	
	GP-021283-01		Oct,30,06 ~			1	
A1-4-4	EP-000035-00	Main Driving Motor (AXHM5100K-A)	Jul,16,05 ~			1	
A1-4-5	14027SC-4113	Hex.Socket Bolt (M8*L30)			O	4	

Note

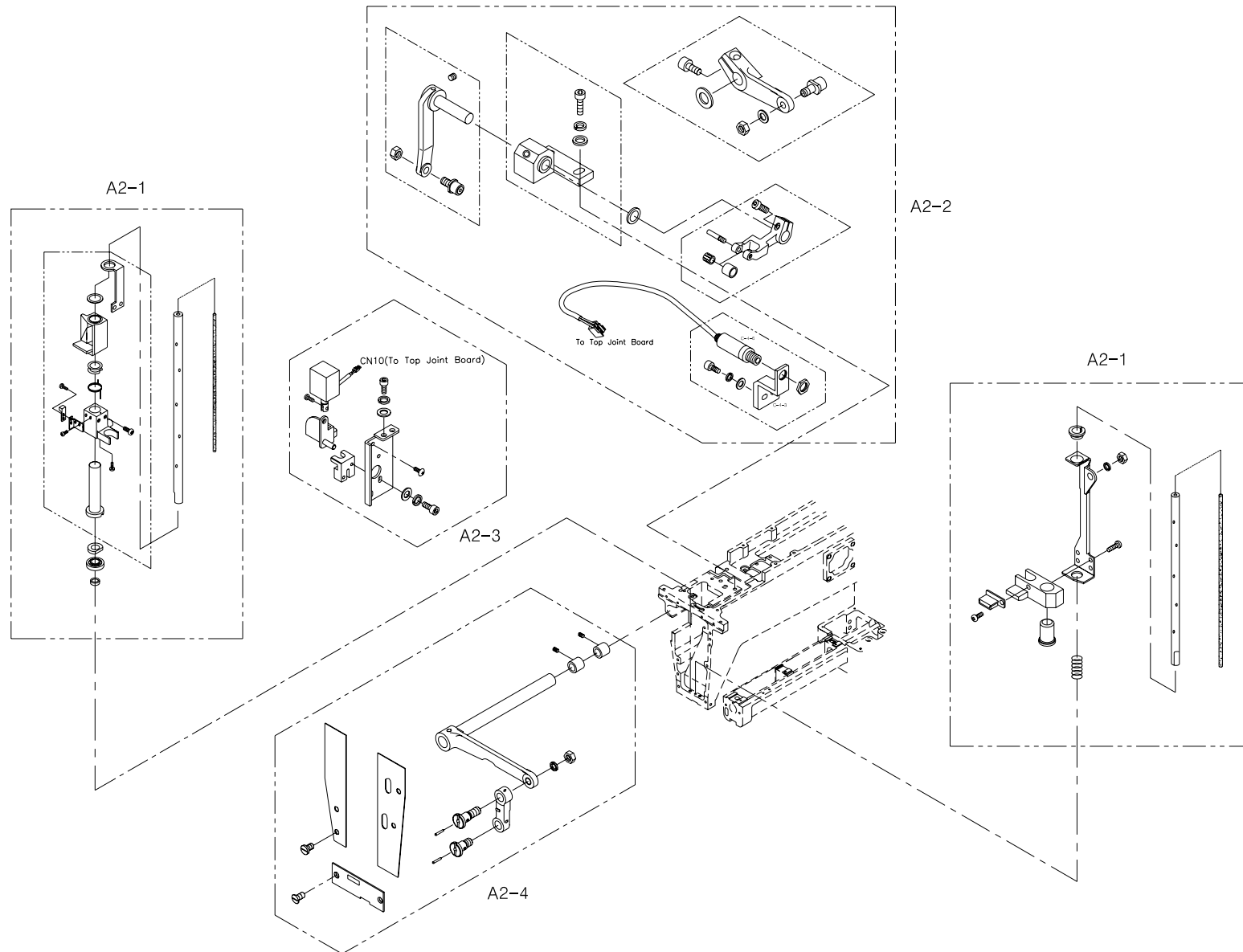
A1-5



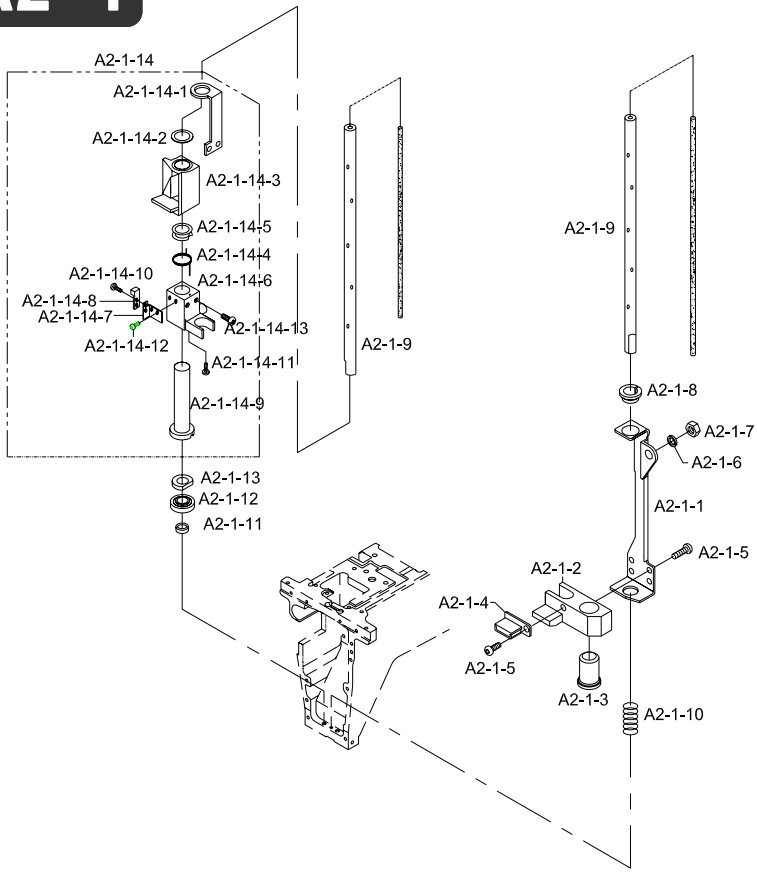
Note

Ref.No	Part No.	Part Name	Applied Period	Interchangeability	Hardware	Qty	Remark
A1-5-1	AS-005586-00	Arm,Bed	Oct,26,06 ~			1	
A1-5-2	03002SC-4113	Hex.Socket Bolt (M8*L32)			O	4	
A1-5-3	15095SW-3115	Spring Washer (@8)			O	4	
A1-5-4	04029SW-A001	Washer (@8)			O	4	
A1-5-5	03087SC-CT01	Connecting Link Stud Screw B				1	
A1-5-6	03056CL-B001	Head Rail Holder				1	
A1-5-7	03057SC-T121	Head Rail Holder Screw			O	1	
A1-5-8	03086SC-CT01	Connecting Link Stud Screw A				1	
A1-5-9	18048SW-3115	Spring Washer (5@)			O	1	
A1-5-10	01002210T000	Oil Storing Box				1	
A1-5-11	01002300T000	Oil Tube Pin				3	
A1-5-12	01002400T000	Oil Storing Felt				1	
A1-5-13	02010SC-3123	Truss Screw (M4*L8)			O	2	
A1-5-14	32026SF-T121	Arm Felt				1	
A1-5-15	32028PR-T121	Felt Holder For Crank Rod				1	
A1-5-16	05041SC-A001	Guide Rail Screw			O	2	
A1-5-17	32027SF-T121	Felt For Crank Rod				1	
A1-5-18	32025ET-T121	Wick (L=530)				1	
A1-5-19	32012ET-T121	Oil Hose (L=140)				1	
A1-5-20	32013ET-T121	Wick L=200				1	
A1-5-21	32015PR-T121	Oil Hose Holder "B"				1	
A1-5-22	02014SC-7113	Hex. Socket Bolt (M4*L5)			O	1	
A1-5-23	32039SF-CT01	Bed Felt				1	
A1-5-24	32040PR-CT01	Bed Felt Cover				1	
A1-5-25	02023SC-7113	Hex. Socket Bolt (M4*L8)			O	2	
A1-5-26	05016SN-1211	Hex.Nut (M4)				2	
A1-5-27	32021SP-T121	Needle Bar Hose Holder "B"				1	
A1-5-28	32044ET-T121	Oil Hose L=200				1	
A1-5-29	32045CW-T121	Oil Hose Pin				1	
A1-5-30	32047RB-T121	Oil Rubber Cap				1	
A1-5-31	28021SC-3123	Truss Screw (M3*L4)			O	1	
A1-5-32	GP-038003-00	Holder For Oil Hose	Apr,08,08			1	

Arm & Bed 2



A2-1

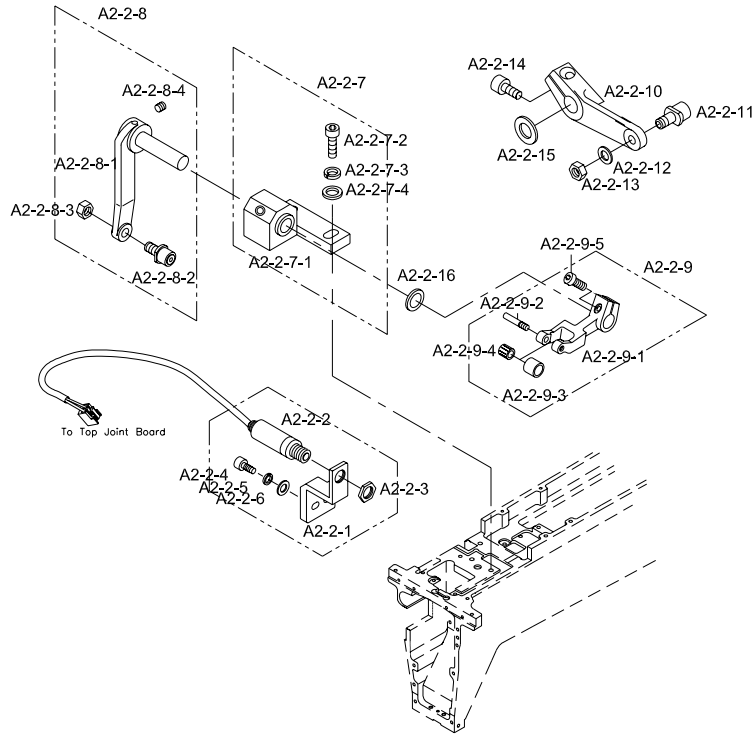


Note

Ref.No	Part No.	Part Name	Applied Period	Interchangeability	Hardware	Qty	Remark
A2-1-1	03090PR-CT01	Foot Reciprocator Bracket				1	
A2-1-2	03092AD-CT01	Presser Foot Reciprocator				1	
A2-1-3	03093CW-CT01	Presser Foot Reciprocator B/S				1	
A2-1-4	03095RB-CT01	Presser Foot Stopper				1	
A2-1-5	08006SC-8118	Plus Screw (M3*L5)			O	5	
A2-1-6	18048SW-3115	Spring Washer			O	2	
A2-1-7	18083SN-3211	Nut (M5)				2	
A2-1-8	03091PM-CT01	Foot Reciprocator Bracket B/S				1	
A2-1-9	03204100A000	Needle Bar Driving Shaft				2	
A2-1-10	03099SP-CT01	Presser Foot Return Spring				1	
A2-1-11	03004400A000	Needle Bar Drive Bearing Bush				1	
A2-1-12	03051BR-A001	Ball Bearing 689 (Ntn)			O	1	
A2-1-13	03042SF-T121	Felt "A"				1	
A2-1-14	03040BM-CT01	Needle Bar Reciprocator Set				1	
A2-1-14-1	03041PR-CT01	Driver Link Plate				1	
A2-1-14-2	03048SW-B001	Reciprocator Washer				1	
A2-1-14-3	GP-018374-00	Needle Bar Reciprocator	Jun,16,06 ~			1	
A2-1-14-4	03043SP-CT01	Jump Spring				1	
A2-1-14-5	03046CW-B001	Jump Spring Guide				1	
A2-1-14-6	03038FH-CT01	Needle bar Driving Shaft Driver				1	
A2-1-14-7	03045PR-CT01	Stopper Bracket				1	
A2-1-14-8	03047PM-CT01	Reciprocator Stopper				1	
A2-1-14-9	03103900C000	Needle Bar Driving Shaft Bush				1	
A2-1-14-10	03046SC-8118	Plus Screw (M3*L5)			O	2	
A2-1-14-11	03006MC-3123	Truss Screw (M3*L6)			O	1	
A2-1-14-12	06010SC-8118	Truss Screw (M3*L4)			O	2	
A2-1-14-13	SC-000517-00	Truss Screw (M3*L5)	Feb,17,06 ~		O	2	

A2

A2-2

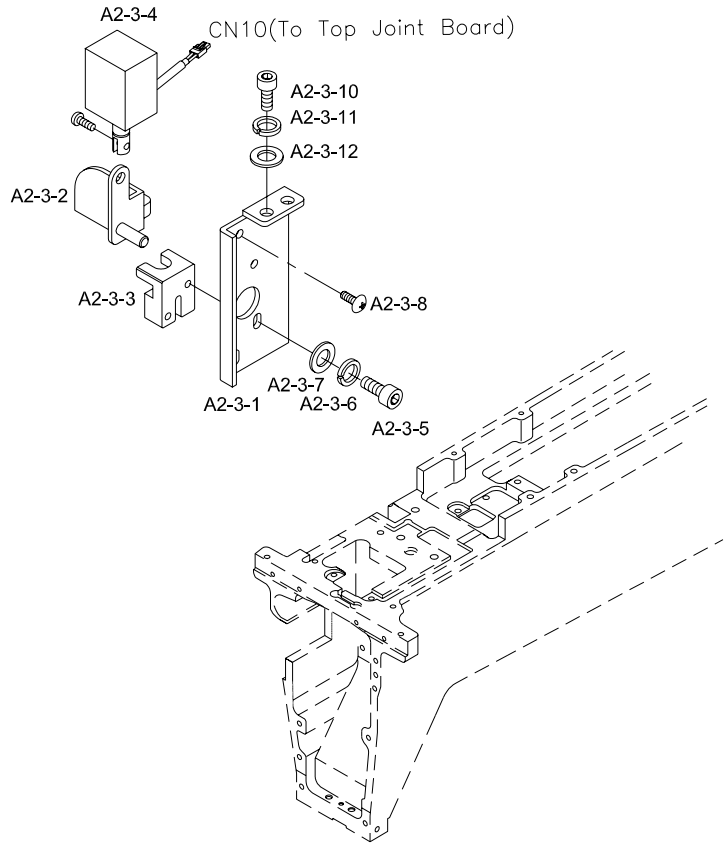


Note

Ref.No	Part No.	Part Name	Applied Period	Interchangeability	Hardware	Qty	Remark
A2-2-1	06000110TH00	Jump Sol Bracket				1	
A2-2-2	EP-000034-00	Jumping Sol	Jul,16,05 ~			1	
A2-2-3		Hex. Nut				1	
A2-2-4	02015SC-7113	Hex.Socket Bolt (M4*L10)			O	1	
A2-2-5	18014SW-3115	Spring Washer (@4)			O	1	
A2-2-6	18015SW-3111	Washer (4@)			O	1	
A2-2-7	04016BM-T121	Take-Up Driving Base Set				1	
A2-2-7-1	04016CL-T121	Take-Up Driving Base				1	
A2-2-7-2	18047SC-7113	Hex. Socket Bolt (M5*L15)			O	2	
A2-2-7-3	18048SW-3115	Spring Washer (@5)			O	2	
A2-2-7-4	18049SW-3111	Washer (@5)			O	2	
A2-2-8	04005BM-T121	Take-Up Driving Lever (A) Set				1	
A2-2-8-1	04006CA-T121	Take-Up Driving Lever (A)				1	
A2-2-8-2	04010BR-CT01	Roller Bearing (IKOCFS4V)				1	
A2-2-8-3	18083SN-3211	Nut (M5)			O	1	
A2-2-8-4	03022SC-4517	Hex. Socket Set Screw(M4*L5)				1	
A2-2-9	04017BM-T121	Take-Up Driving Lever (B) Set				1	
A2-2-9-1	04017CA-T121	Take-Up Driving Lever (B)				1	
A2-2-9-2	04019CW-T121	Pin Stud Screw				1	
A2-2-9-3	04020AF-T121	Roller For Take-Up Gear-B				1	
A2-2-9-4	04021BR-T121	Needle Bearing Kt367N (Iko)				1	
A2-2-9-5	07016SC-7113	Hex. Socket Bolt (M4*L12)			O	1	
A2-2-10	03007600C000	Presser Foot Driving Lever S				1	
A2-2-11	03078BR-CT01	Roller Bearing (IKO CFS4)				1	
A2-2-12	18015SW-3111	Washer (@4)			O	1	
A2-2-13	05016SN-1211	Nut (M4)			O	1	
A2-2-14	02015SC-7113	Screw (M4XL10)			O	1	
A2-2-15	02004BR-T121	Washer (@8)			O	1	
A2-2-16	04014PR-T121	Washer				1	

A2

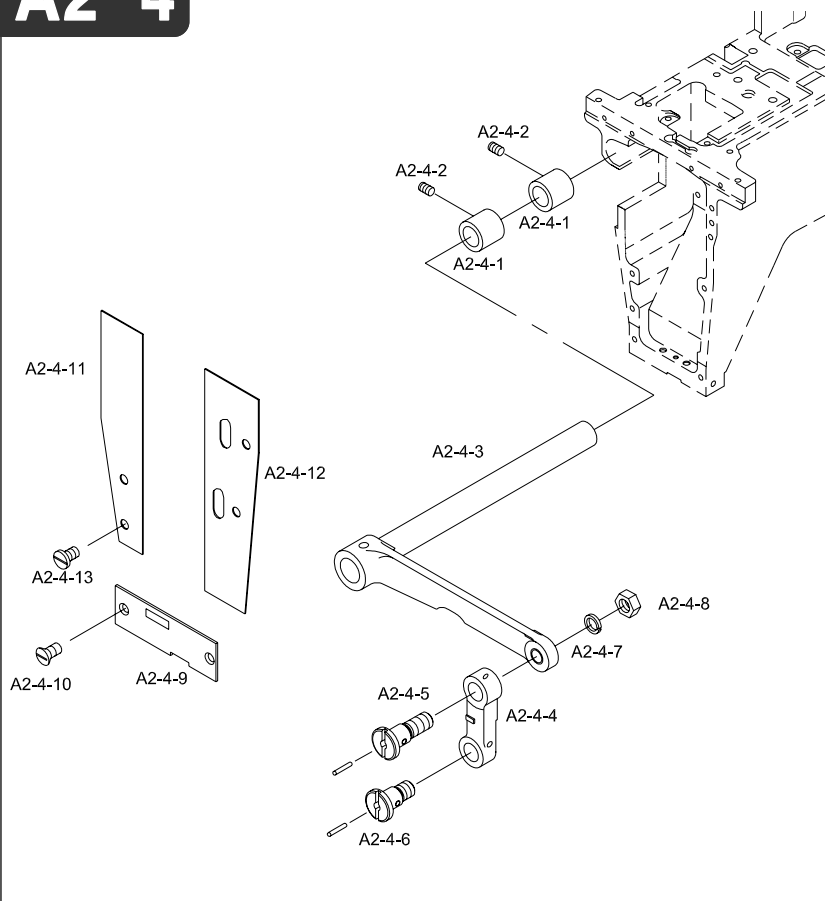
A2-3



Note

Ref.No	Part No.	Part Name	Applied Period	Interchangeability	Hardware	Qty	Remark
A2-3-1	GP-014474-00	Stopping Solenoid Bracket For Upper Shaft	Jan,12,06 ~			1	
A2-3-2	GP-008785-00	Stopping Solenoid Base Ass'y For Upper Shaft	Apr,25,05 ~			1	
A2-3-3	GP-008784-00	Stopping Solenoid Cover For Upper Shaft	Apr,25,05 ~			1	
A2-3-4	EP-000033-00	Solenoid	Jul,16,05 ~			1	
A2-3-5	07035SC-7113	BRACKET SCREW (M3*L6)			O	2	
A2-3-6	11019SW-9115	Spring Washer (3@)			O	2	
A2-3-7	06011SW-2111	Washer (3@)			O	2	
A2-3-8	28021SC-3123	Truss Screw (M3*L4)			O	1	
A2-3-9	02015SC-7113	Hex. Socket Bolt (M4*L10)			O	2	
A2-3-10	18014SW-3115	Spring Washer (@4)			O	2	
A2-3-11	18015SW-3111	Washer (@4)			O	2	

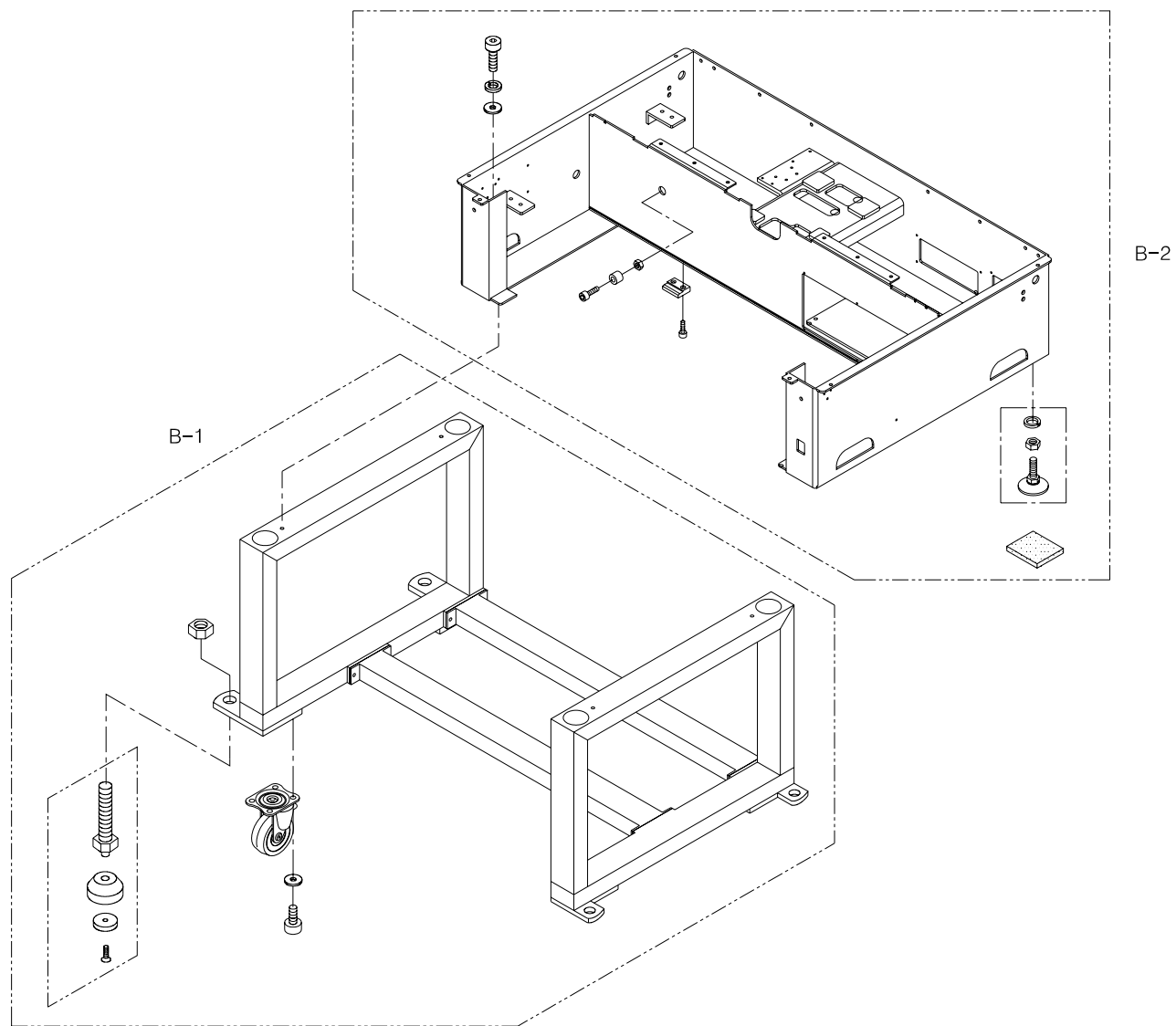
A2-4



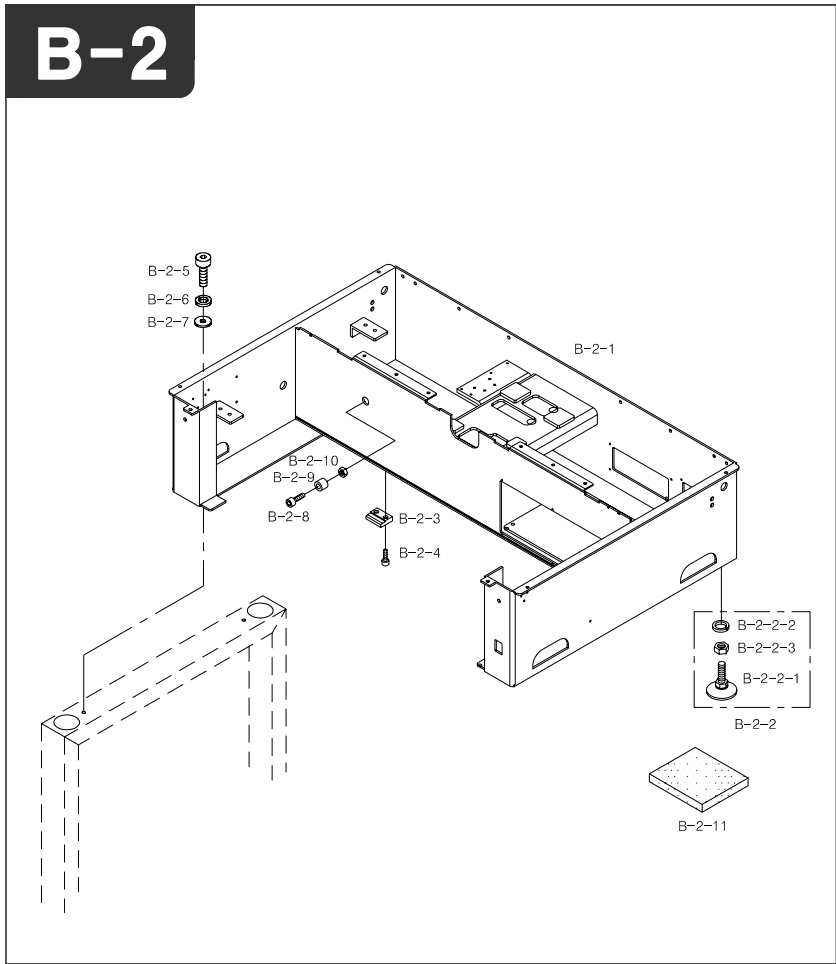
Note

Ref.No	Part No.	Part Name	Applied Period	Interchangeability	Hardware	Qty	Remark
A2-4-1	03000800C000	Presser Foot Driving Bush				2	
A2-4-2	03022SC-4517	Hex. Socket Set Screw (M4*L5)			O	2	
A2-4-3	03083FH-CT01	Presser Foot Driving Lever (L)				1	
A2-4-4	03008500C000	Foot Driving Connecting Link				1	
A2-4-5	03086SC-CT01	Connecting Link Stud Screw A				1	
A2-4-6	03087SC-CT01	Connecting Link Stud Screw B				1	
A2-4-7	18048SW-3115	Spring Washer (5@)			O	1	
A2-4-8	18083SN-3211	Hex.Nut (M5)			O	1	
A2-4-9	01030PR-T121	Guide Plate				1	
A2-4-10	05062SC-A001	Guide Plate Screw (9/64" N=40)				2	
A2-4-11	01026PR-T121	Arm Front Cover (L)				1	
A2-4-12	04000100T000	Arm Front Cover (R)				1	
A2-4-13	03065SC-A001	Front Cover Screw (9/64" N=40)				4	

Body & Stand Base



B-2

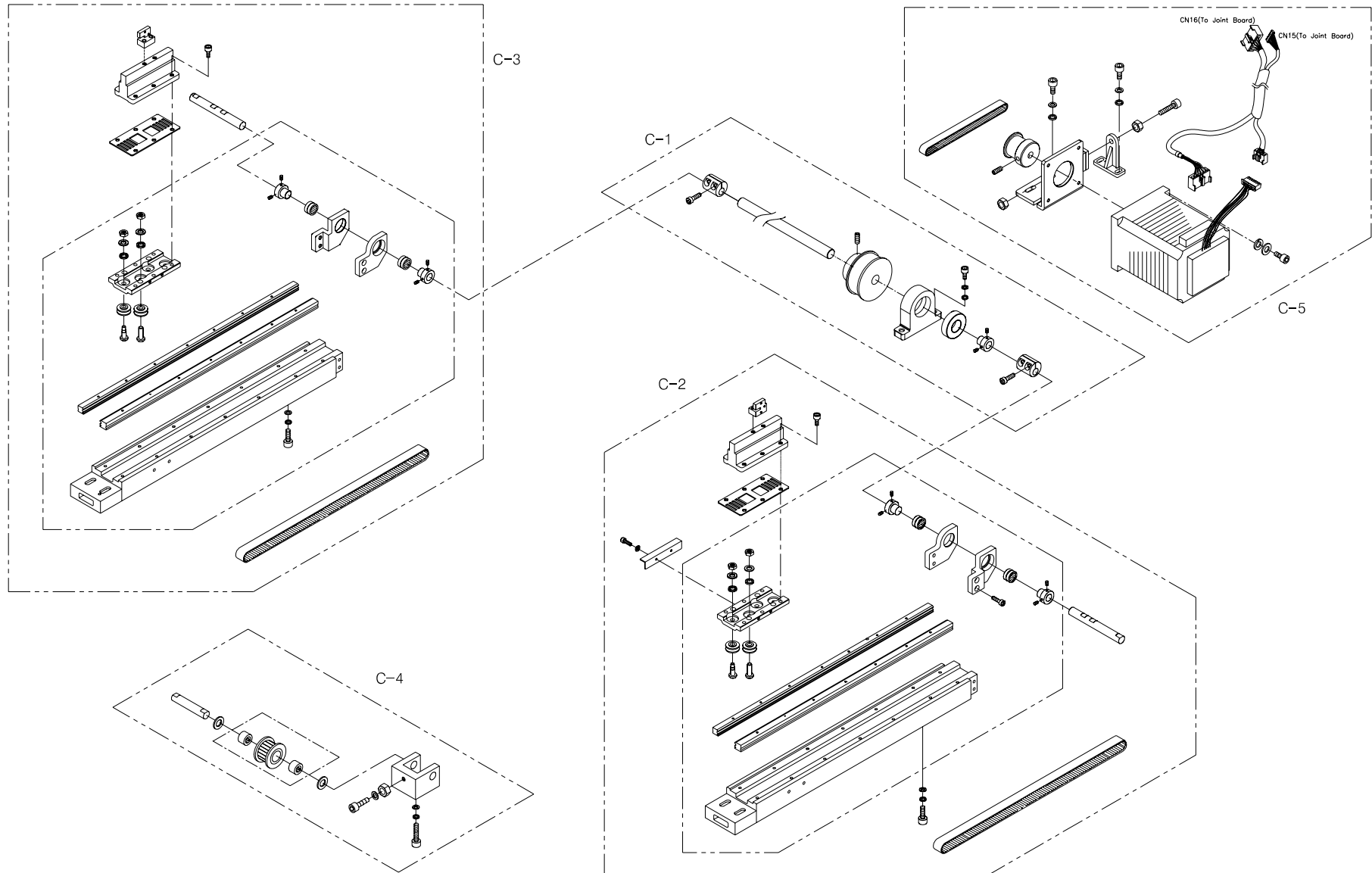


Ref.No	Part No.	Part Name	Applied Period	Interchangeability	Hardware	Qty	Remark
B-2-1	GP-020486-00	Body (E-T1201)	Aug,15,06 ~ Oct,30,06			1	
	GP-020486-01		Oct,31,06 ~ Nov,06,06			1	
	GP-020486-02		Nov,07,06 ~ Nov,30,06			1	
	GP-020486-03		Dec,01,06 ~ Jan,16,07			1	
	GP-020486-04		Jan,17,07 ~ May,27,07			1	
	GP-020486-05		May,28,07 ~ Jul,04,07			1	
	GP-020486-06		Jul,05,07 ~			1	
B-2-2	01002BM-T121	Body Support Bolt (SET)				4	
B-2-2-1	01002SC-T121	Body Support Bolt Ass'y				1	
B-2-2-2	14032SW-3115	Spring Washer (@12)			O	1	
B-2-2-3	14033SN-8211	Nut (M12)			O	1	
B-2-3	05001500T000	Table Holder				8	
B-2-4	04010MC-7113	Hex. Socket Bolt (M4*L10)			O	8	
B-2-5	08087SC-7113	Hex. Socket Bolt (M8*L25)			O	12	
B-2-6	15095SW-3115	Spring Washer (@8)			O	12	
B-2-7	04029SW-A001	Washer (@8)			O	12	
B-2-8	05008SC-4113	Hex. Socket Bolt (M4*L16)			O	4	
B-2-9	01008RB-T121	Cover Support Rubber (@8*L6.5)				4	
B-2-10	05016SN-1211	Hex. Nut (M4)			O	4	
B-2-11	01017RB-T121	Rubber				4	

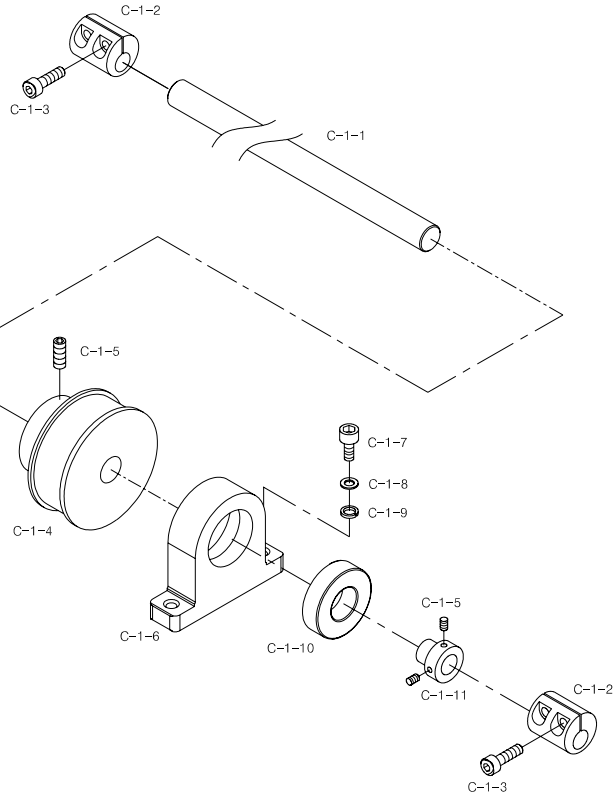
Note

B

Y-Axis Ass'y



C-1

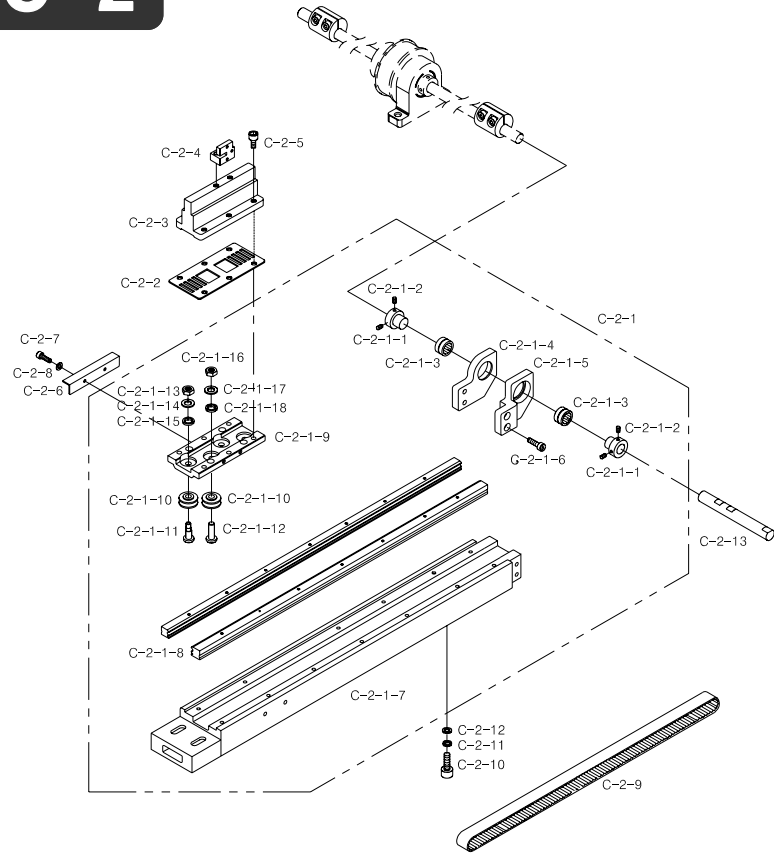


Note

Ref.No	Part No.	Part Name	Applied Period	Interchangeability	Hardware	Qty	Remark
C-1-1	GP-024556-00	Y-Driving Shaft "B"	Dec,17,06 ~			1	
C-1-2	03005100U00	Coupling "A"				2	
C-1-3	03016SC-4113	Hex. Socket Bolt (M5*L15)			O	4	
C-1-4	16033PU-CT01	Y-Drive Timing Pulley				1	
C-1-5	04012AF-A001	Hook Shaft Bush Screw			O	8	
C-1-6	GP-008328-00	Y-Driving Shaft Bearing Bracket	Apr,04,05 ~			3	
C-1-7	15105SC-7113	Hex. Socket Screw (M4*L15)			O	12	
C-1-8	18014SW-3115	Spring Washer (@4)			O	12	
C-1-9	18015SW-3111	Washer (4@)			O	12	
C-1-10	13026BR-T121	Bearing (6002Z)			O	3	
C-1-11	03002700T000	Bearing Collar				3	



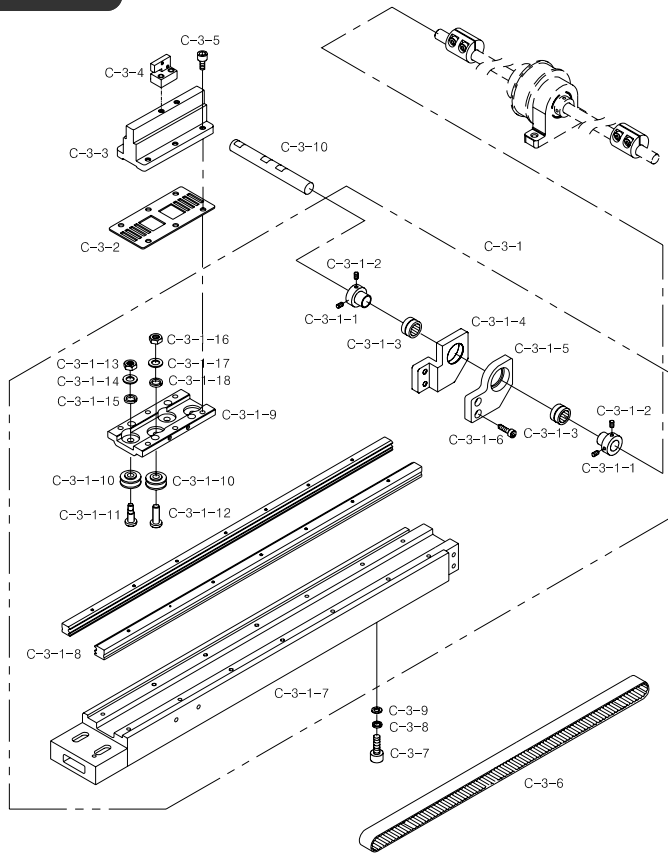
C-2



Note

Ref.No	Part No.	Part Name	Applied Period	Interchangeability	Hardware	Qty	Remark
C-2-1	AS-005584-00	Y-Frame A Ass'y	Oct,26,06 ~			1	
C-2-1-1	03002700T000	Bearing Collar				2	
C-2-1-2	04012AF-A001	Hook Shaft Bush Screw (15/64, N28)			O	4	
C-2-1-3	13026BR-T121	Needle Bearing (6002Z)			O	2	
C-2-1-4	03100900UH00	Bracket For Y-Shaft Bearing (L)				1	
C-2-1-5	GP-024562-00	Y-Bearing Bracket (R)	Dec,17,06 ~ Mar,24,08			1	
	GP-024562-01		Mar,25,08 ~ Sep,01,08		O	1	
	GP-024562-02		Sep,02,08 ~			1	
C-2-1-6	16059SC-4113	Hex. Socket Bolt (M6*L15)	Dec,17,06 ~			4	
C-2-1-7	GP-024543-00	Y-Frame				1	
C-2-1-8	15037AD-BH01	Y-Rail	Apr,06,05 ~			2	
C-2-1-9	GP-008500-00	Y-Bearing Block				2	
C-2-1-10	15001BR-B001	Cam Roller Baearing				4	
C-2-1-11	15002CW-T902	Cam Roller Stud (A)				2	
C-2-1-12	15003CW-B001	Cam Roller Stud (B)				2	
C-2-1-13	15029SN-3211	Hex. Nut (M4)			O	2	
C-2-1-14	18015SW-3111	Washer (@4)			O	2	
C-2-1-15	18014SW-3115	Spring Washer (@4)			O	2	
C-2-1-16	18083SN-3211	Hex. Nut (M5)			O	2	
C-2-1-17	18049SW-3111	Washer (@5)			O	2	
C-2-1-18	18048SW-3115	Spring Washer (5@)			O	2	
C-2-2	GP-008560-00	Y-Belt Holder	Apr,12,05 ~			1	
C-2-3	GP-008327-00	Y-Moving Connecting Bracket	Apr,04,05 ~			1	
C-2-4	GP-024559-00	Y-Moving Connector Bracket (R)	Dec,17,06 ~			1	
C-2-5	02015SC-7113	HEX.SOCKET BOLT(M4*L10)			O	6	
C-2-6	GP-024557-00	Y- Sensor Plate	Dec,17,06 ~			1	
C-2-7	07018SC-8118	Plus Screw (M3*L8)			O	2	
C-2-8	08011SW-1111	Spring Washer (@3)			O	2	
C-2-9	16070BT-T902	Timing Belt (15*AT5*L1234)				1	
C-2-10	18047SC-7113	Hex. Socket Bolt (M5*L15)			O	6	
C-2-11	18048SW-3115	Spring Washer (@5)			O	6	
C-2-12	18049SW-3111	Washer (@5)			O	6	
C-2-13	GP-024555-00	Y-Driving Shaft "A"	Dec,17,06 ~			1	

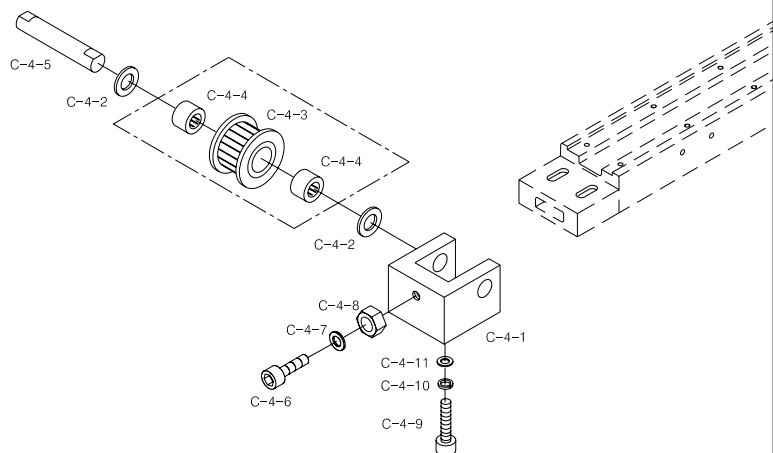
C-3



Note

Ref.No	Part No.	Part Name	Applied Period	Interchangeability	Hardware	Qty	Remark
C-3-1	AS-005585-00	Y-Frame B Ass'y	Oct,26,06 ~			1	
C-3-1-1	03002700T000	Bearing Collar				2	
C-3-1-2	04012AF-A001	Hook Shaft Bush Screw (15/64, N28)				4	
C-3-1-3	13026BR-T121	Bearing (6002Z)			O	2	
C-3-1-4	GP-024563-00	Y-Bearing Bracket (L)	Dec,17,06 ~ Mar,24,08			1	
	GP-024563-01		Mar,25,08 ~ Sep,01,08			1	
	GP-024563-02		Sep,02,08 ~			1	
C-3-1-5	03101000UH00	Bracket For Y-Shaft Bearing (R)				1	
C-3-1-6	16059SC-4113	Hex. Socket Bolt (M6*L15)	Dec,17,06 ~		O	4	
C-3-1-7	GP-024543-00	Y-Frame				1	
C-3-1-8	15037AD-BH01	Y-Rail	Apr,06,05 ~			2	
C-3-1-9	GP-008500-00	Y-Bearing Block				2	
C-3-1-10	15001BR-B001	Cam Roller Bearing				8	
C-3-1-11	15002CW-T902	Cam Roller Stud (A)				2	
C-3-1-12	15003CW-B001	Cam Roller Stud (B)				2	
C-3-1-13	15029SN-3211	Hex. Nut (M4)			O	2	
C-3-1-14	18015SW-3111	Washer (@4)			O	2	
C-3-1-15	18014SW-3115	Spring Washer (@4)			O	2	
C-3-1-16	18083SN-3211	Hex. Nut (M5)			O	2	
C-3-1-17	18049SW-3111	Washer (@5)			O	2	
C-3-1-18	18048SW-3115	Spring Washer (5@)			O	2	
C-3-2	GP-008560-00	Y-Belt Holder	Apr,12,05 ~			1	
C-3-3	GP-008327-00	Y-Moving Connecting Bracket	Apr,04,05 ~			1	
C-3-4	GP-024560-00	Y-Moving Connector Bracket (L)	Dec,17,06 ~			1	
C-3-5	02015SC-7113	Hex. Socket Bolt (M4*L10)			O	6	
C-3-6	16070BT-T902	Timing Belt (15*AT5*L1234)				1	
C-3-7	18047SC-7113	Hex. Socket Bolt (M5*L15)			O	6	
C-3-8	18048SW-3115	Spring Washer (@5)			O	6	
C-3-9	18049SW-3111	Washer (@5)			O	6	

C-4

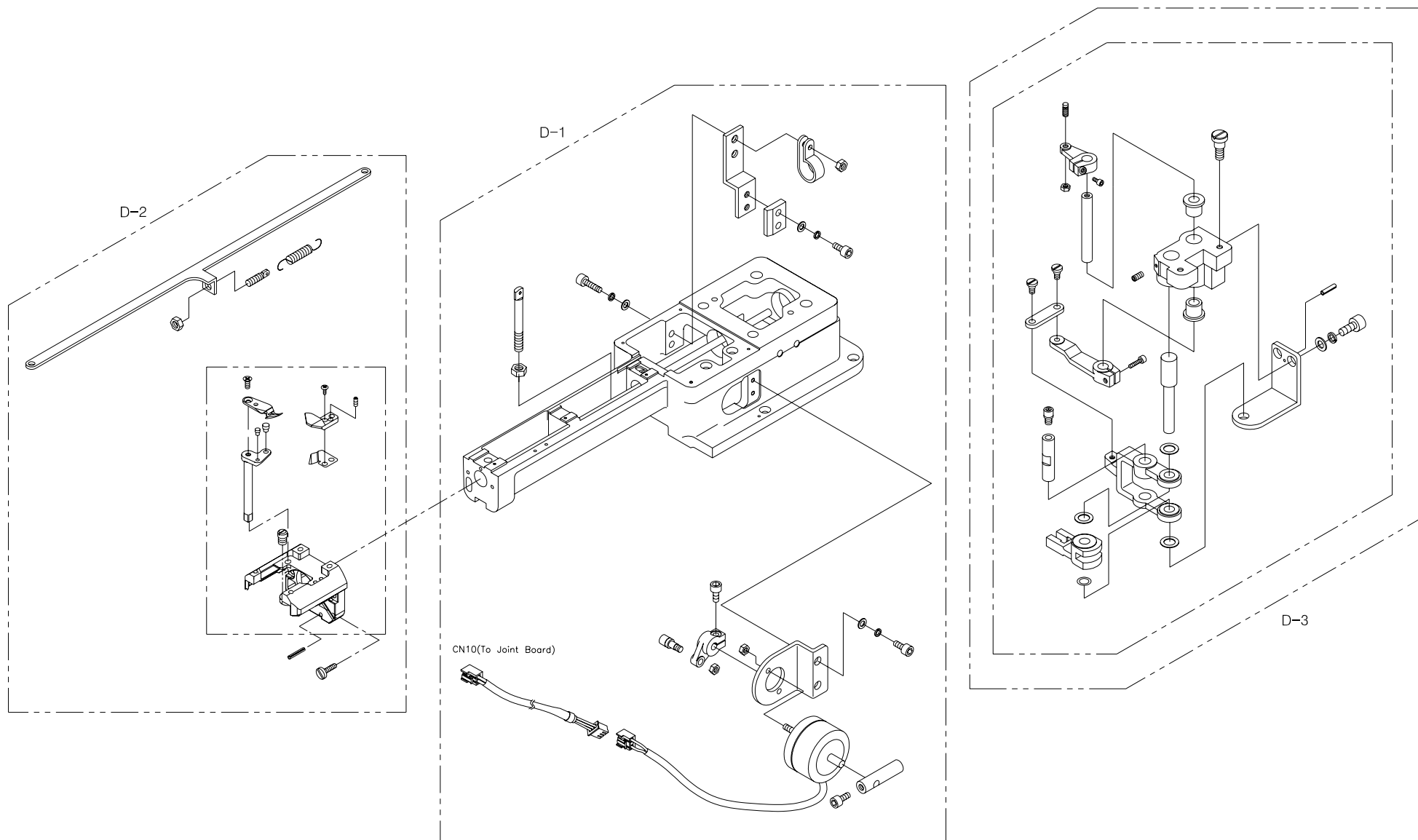


Note

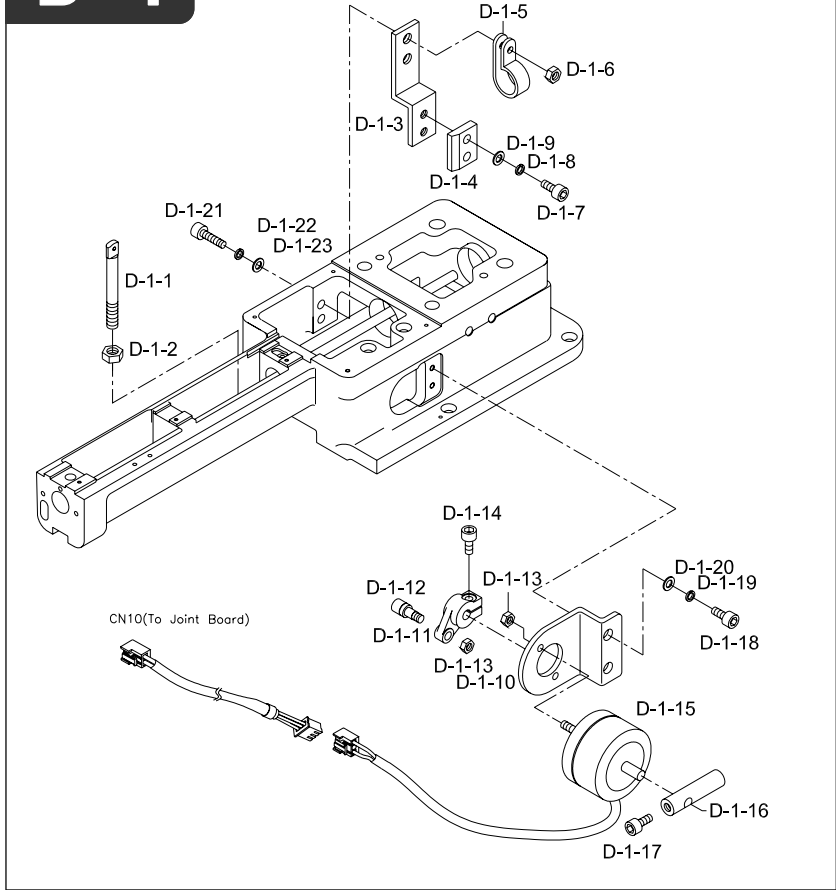
Ref.No	Part No.	Part Name	Applied Period	Interchangeability	Hardware	Qty	Remark
C-4-1	GP-013723-00	Y-Axis Tension Adjusting Base	Dec,13.05 ~			2	
C-4-2	12019BR-T121	Fiber Washer R-Tw1020				4	
C-4-3	13033PU-T902	Timing Pulley				2	
C-4-4	13026BR-T121	Needle Bearing (6002Z)				4	
C-4-5	03204200T000	Y-Frame Tension Shaft				2	
C-4-6	15030SC-7113	Hex. Socket Bolt (M5*L30)			O	2	
C-4-7	12010SN-1211	Hex. Nut (M5)			O	2	
C-4-8	18049SW-3111	Washer (@5)			O	2	
C-4-9	14046SC-7113	Hex. Socket Bolt (M6*L30)			O	2	
C-4-10	16014SW-4115	Spring Washer (@6)			O	2	
C-4-11	08057SW-1111	Washer (@6)			O	2	

C

Thread Cutting Set



D-1

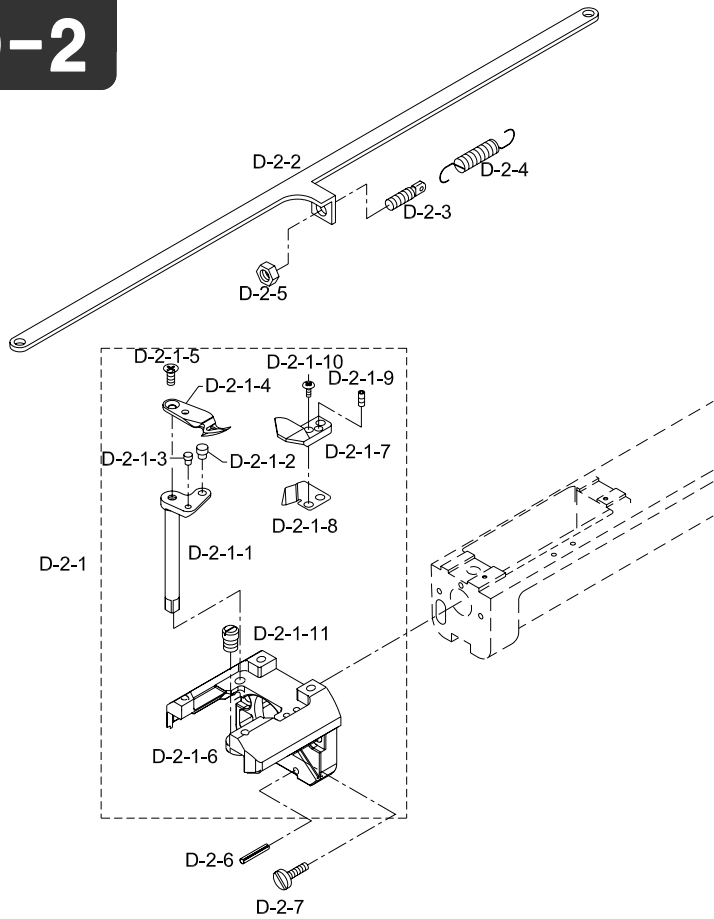


Note

Ref.No	Part No.	Part Name	Applied Period	Interchangeability	Hardware	Qty	Remark
D-1-1	08061CW-CT01	Thread Return Spring Hanger				1	
D-1-2	13042SN-1111	Hex. Nut (M6)			O	1	
D-1-3	08051PR-T121	Mes Lever Stopper Bracket				1	
D-1-4	08057PM-T121	Mes Lever Stopper				1	
D-1-5	11035ET-A001	Wire Holder				1	
D-1-6	18083SN-3211	Hex. Nut (M5)			O	1	
D-1-7	07016SC-7113	Hex. Socket Bolt(M4*L12)			O	2	
D-1-8	18014SW-3115	Spring Washer (@4)			O	2	
D-1-9	18015SW-3111	Washer (@4)			O	2	
D-1-10	08043PR-T121	Solenoid Plate				1	
D-1-11	08047CL-T121	Solenoid Crank				1	
D-1-12	08048AF-T121	Solenoid Crank Roller				1	
D-1-13	08050SN-T121	Hex. Nut				2	
D-1-14	02023SC-7113	Hex. Socket Bolt (M4*L8)			O	1	
D-1-15	EP-000037-00	Thread Trimming Solenoid Ass'Y	Jul,16,05 ~			1	
D-1-16	08041CW-T121	Solenoid Manual Handle				1	
D-1-17	04010MC-7113	Hex. Socket Bolt (M4*L10)			O	1	
D-1-18	08076SC-7113	Hex. Socket Bolt (M5*L12)			O	2	
D-1-19	18048SW-3115	Spring Washer (@5)			O	2	
D-1-20	18049SW-3111	Washer (@5)			O	2	
D-1-21	08062SC-7113	Hex. Socket Bolt (M5*L20)			O	2	
D-1-22	18048SW-3115	Spring Washer (@5)			O	2	
D-1-23	18049SW-3111	Washer (@5)			O	2	

D

D-2

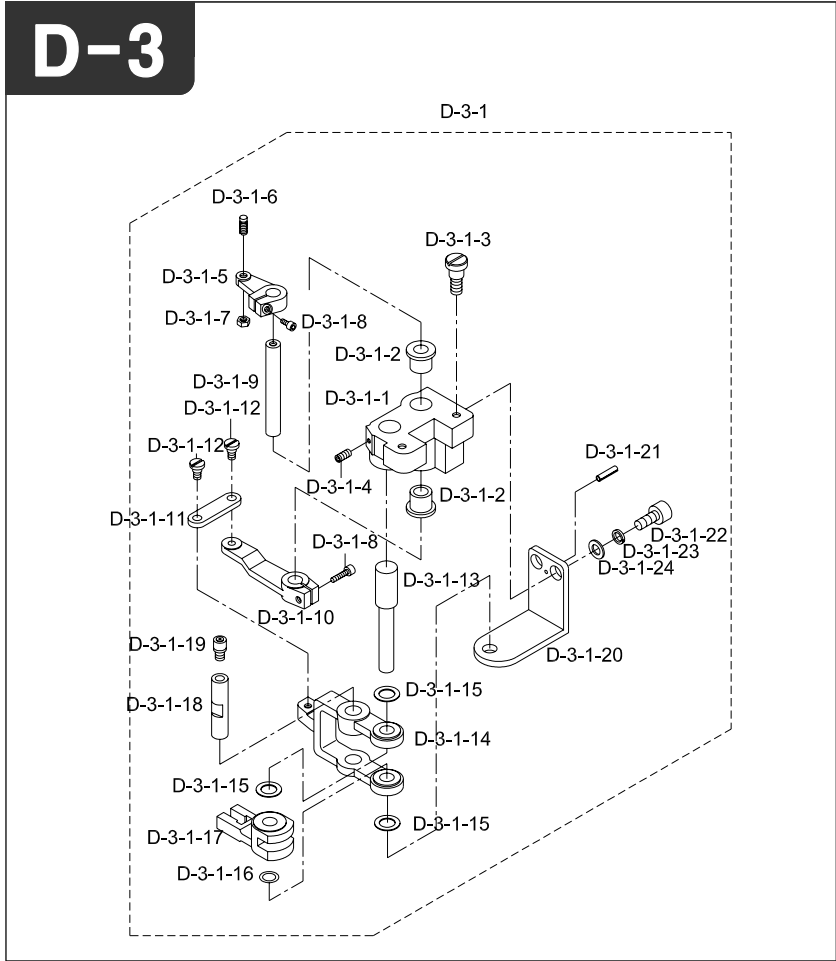


Note

Ref.No	Part No.	Part Name	Applied Period	Interchangeability	Hardware	Qty	Remark
D-2-1	AS-002024-00	Needle Plate Braket Ass'Y	Mar,07,05 ~			1	
D-2-1-1	GP-006638-00	Moving Mes Shaft	Dec,29,04 ~			1	
D-2-1-2	08123CW-T121	Moving Mes Connecting Link Pin				1	
D-2-1-3	08122CW-A001	Mes Pin				1	
D-2-1-4	07028PR-T121	Moving Mes				1	
D-2-1-5	08014SC-A001	Plus Screw (M3*L8)			O	1	
D-2-1-6	GP-005357-00	Needle Plate Bracket(Set)	Nov,01,04 ~ Jul,12,05			1	
	GP-005357-01		Jul,13,05 ~ Dec,03,08			1	
	GP-005357-02		Dec,03,08 ~			1	
D-2-1-7	07032CL-T121	Fixed Mes				1	
D-2-1-8	07033PR-T121	Under Thread Holder				1	
D-2-1-9	03050SC-4517	Hex. Socket Set Screw				1	
D-2-1-10	07018SC-8118	Fixed Mes Screw (M3*L8)			O	2	
D-2-1-11	04026SC-T121	Needle Plate Pin				1	
D-2-2	GP-013662-00	Moving Mes Connecting Link	Dec,09,05 ~			1	
D-2-3	08065SC-T121	Spring Shaft Screw				1	
D-2-4	08063SP-CT01	Thread Return Spring				1	
D-2-5	03031SN-A001	Hex. Nut (11/64,N=40)			O	1	
D-2-6	02009PI-T121	Spring Pin				2	
D-2-7	04037SC-A001	Picker Bracket Screw				2	

D

D-3

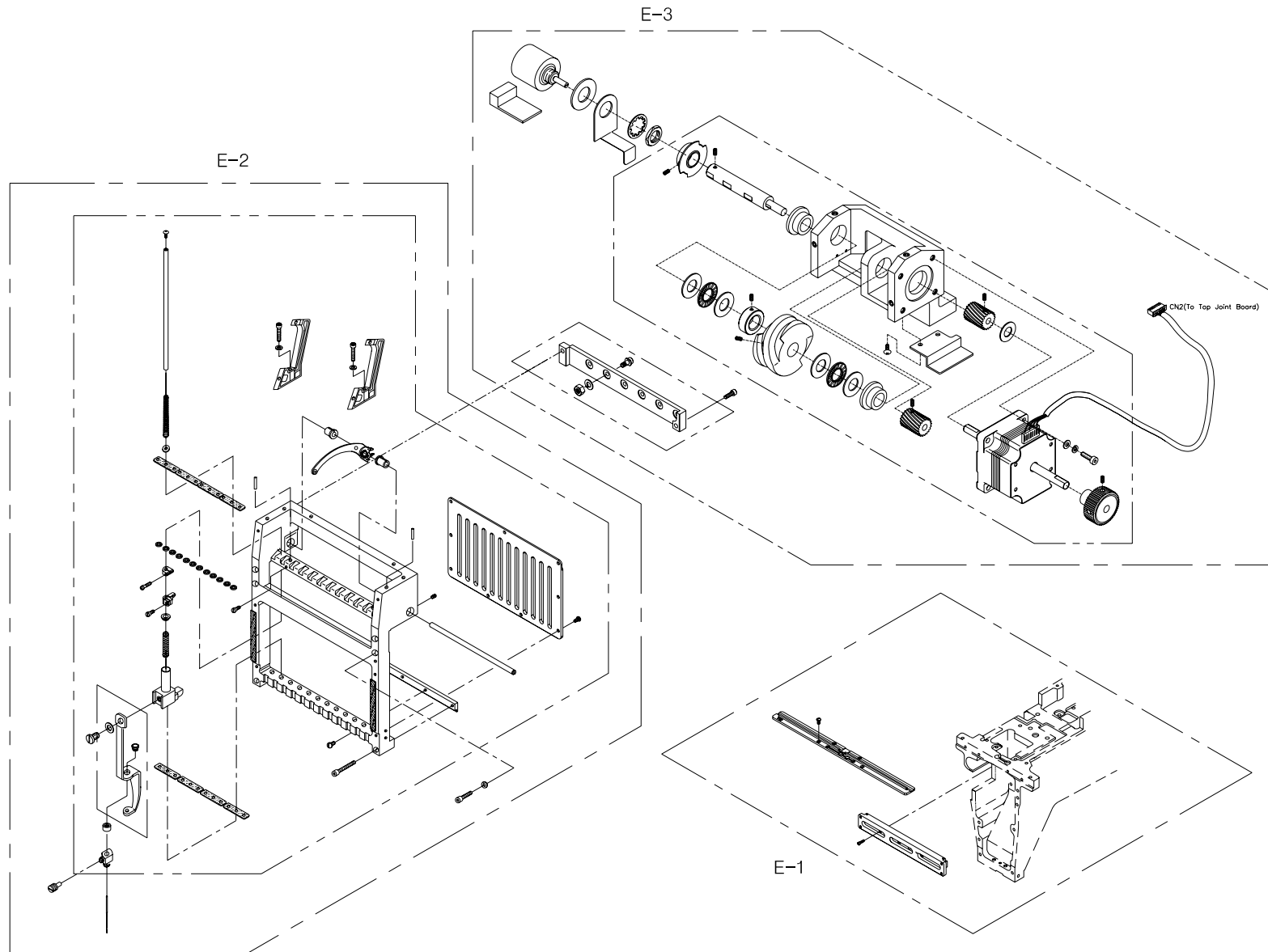


Note

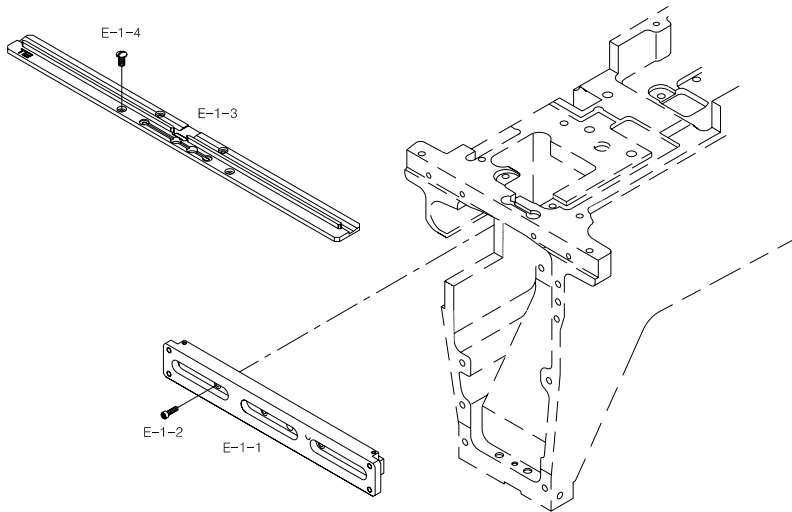
Ref.No	Part No.	Part Name	Applied Period	Interchangeability	Hardware	Qty	Remark
D-3-1	08010BM-T121	Mes Lever Shaft Bracket Ass'Y				1	
D-3-1-1	AS-008884-00	Mes Lever Shaft Bracket Set	Jun,12,08 ~			1	
D-3-1-2	07021MP-T121	Lever Shaft Bush				2	
D-3-1-3	08011CW-T121	Stud Screw				2	
D-3-1-4	03022SC-4517	Hex. Socket Set Screw(M4*L5)			O	2	
D-3-1-5	08014FH-T121	Mes Driving Lever (U)				1	
D-3-1-6	07023CW-T121	Mes Link Pin				1	
D-3-1-7	02029SN-9311	Nut (M4)			O	1	
D-3-1-8	02015SC-7113	Hex. Socket Bolt(M4*L10)			O	2	
D-3-1-9	02002200T000	Mes Driving Lever Shaft				1	
D-3-1-10	03301900T000	Mes Driving Lever				1	
D-3-1-11	08031PR-T121	Mes Lever Connecting Link				1	
D-3-1-12	08022SC-A001	Stud Screw				2	
D-3-1-13	08018CW-T121	Mes Lever Shaft				1	
D-3-1-14	08027CL-T121	Mes Lever				1	
D-3-1-15	07024BR-UK01	Slide Washer				3	
D-3-1-16	08067RB-A001	O-Ring				1	
D-3-1-17	03302500T000	Mes Driving Crank				1	
D-3-1-18	03302400T000	Mes Cam Roller Driving Shaft				1	
D-3-1-19	08023AF-T121	Mes Cam Roller Set				1	
D-3-1-20	08027PR-T121	Mes Lever Supporter				1	
D-3-1-21	08067ET-T121	Spring Pin (@2*L10)				1	
D-3-1-22	07016SC-7113	Hex. Socket Bolt (M4*L12)			O	2	
D-3-1-23	18014SW-3115	Spring Washer (@4)			O	2	
D-3-1-24	02063SW-1111	Washer (@4)			O	2	

D

Head & Color Change



E-1

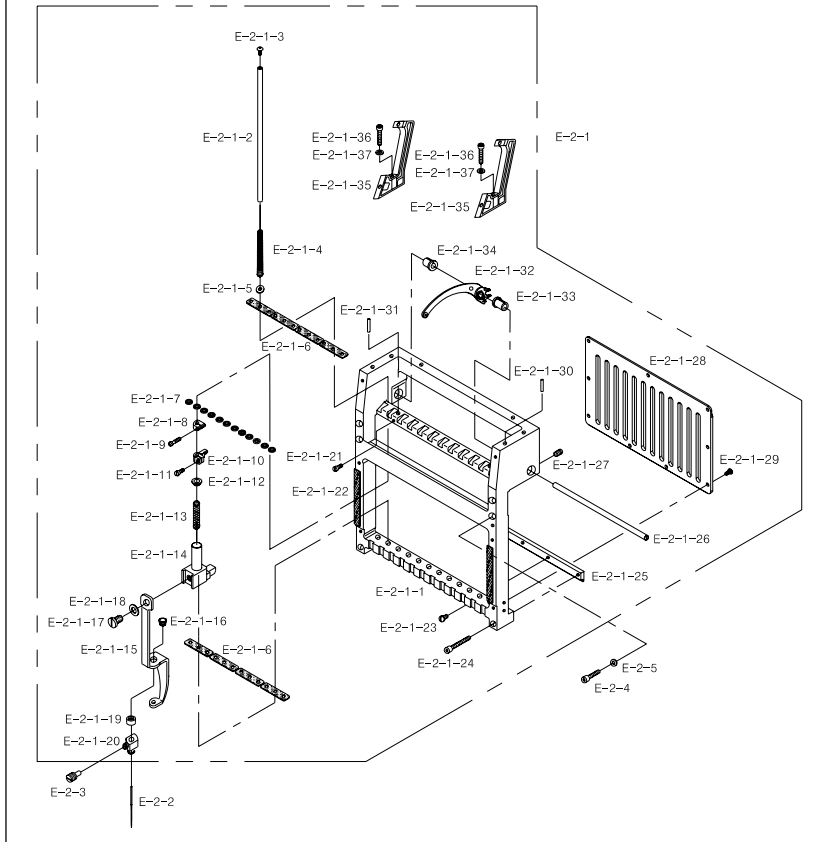


Note

Ref.No	Part No.	Part Name	Applied Period	Interchangeability	Hardware	Qty	Remark
E-1-1	03068LM-T121	LM Guide Block Set (T1201)				1	
E-1-2	03071SC-A001	Hex. Socket Bolt (M3*L15)			O	6	
E-1-3	07000102C010	Take-up Lever Guide Rail - 12C				1	
E-1-4	05041SC-A001	Guide Rail Screw (9/64" N=40)			O	4	

E

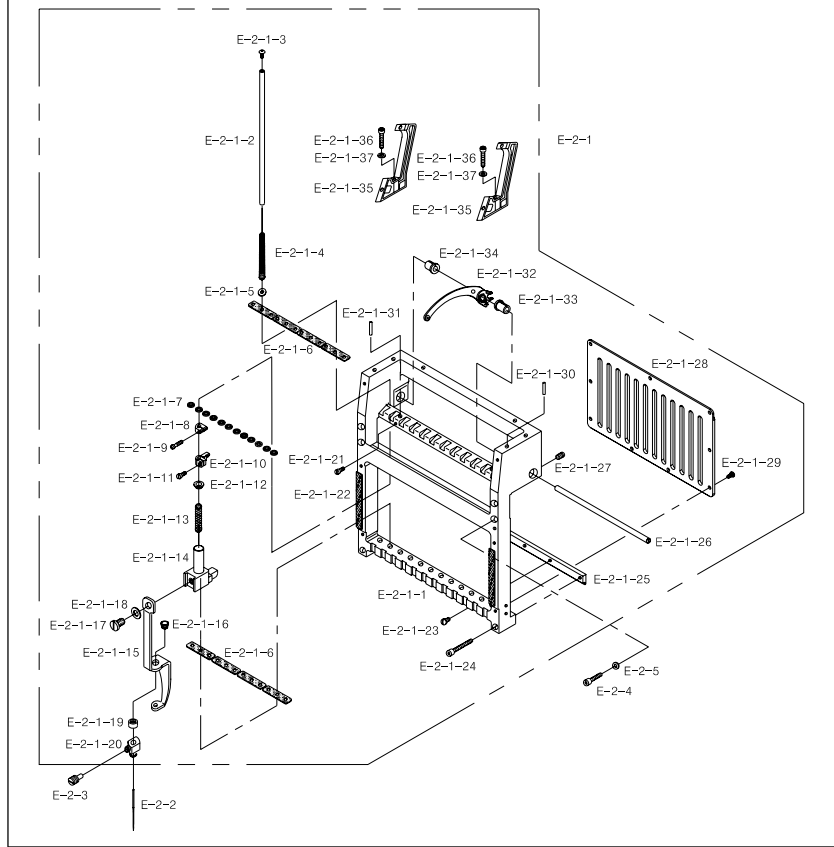
E-2



Note

Ref.No	Part No.	Part Name	Applied Period	Interchangeability	Hardware	Qty	Remark
E-2-1	08200004T010	Head Ass'y				1	
E-2-1-1	GP-023229-00	Head	Nov,13,06 ~ Mar,25,07			1	
	GP-023229-01		Mar,25,07 ~ Jun,10,07				
	GP-023229-02		Jun,11,07 ~ Jul,27,08				
	GP-023229-03		Jul,28,08 ~ Sep,16,08				
	GP-023229-04		Sep,17,08 ~ Oct,01,08				
	GP-023229-05		Oct,02,08 ~ Nov,02,08				
	GP-023229-06		Nov,03,08 ~				
E-2-1-2	05018CW-T902	Needle Bar				12	
E-2-1-3	05019SC-A001	Needle Bar Cover Screw (M5*L6)			O	12	
E-2-1-4	05008AF-T121	Needle Bar Return Spring				12	
E-2-1-5	05022SW-A001	Needle Bar Felt Washer				12	
E-2-1-6	05021SF-A001	Felt				8	
E-2-1-7	05011RB-T121	Needle Bar Cushion Rubber				12	
E-2-1-8	11101200T000	Upper Dead Point Stopper				12	
E-2-1-9	05026SC-4113	Stopper Screw				12	
E-2-1-10	05027FU-A001	Needle Bar Holder	Oct,24,07 ~			12	
E-2-1-11	05028SC-4113	Holder Screw				12	
E-2-1-12	05021PM-H001	Presser Foot Spring Guide				12	
E-2-1-13	05017AF-T121	Presser Foot Pressure Spring				12	
E-2-1-14	05023PM-H001	Presser Foot Holder Set				12	
E-2-1-15	05024PR-CT01	Presser Foot				12	
E-2-1-16	05031AF-A001	Presser Foot Guide Bush				12	
E-2-1-17	05026SC-H001	Presser Foot Holder Screw				12	
E-2-1-18	05027PR-H001	Washer				12	
E-2-1-19	05035RB-A001	Presser Foot Cushion Rubber (A)				12	
E-2-1-20	AS-007679-00	Needle Fixed Holder				12	
E-2-1-21	03022SC-4517	Pin Screw (M4*L5)			O	2	
E-2-1-22	12100203B000	Magnetic Rubber "B"				2	
E-2-1-23	05013SC-A001	Head Rail Screw				3	
E-2-1-24	05014SC-7113	Hex. Socket Bolt (M4*L25)			O	2	
E-2-1-25	08201304H000	Head Rail (12C)				1	
E-2-1-26	08200404A000	Take-Up Lever Shaft				1	
E-2-1-27	07009SC-4517	Hex. Socket Set Screw (M5*L6)			O	2	
E-2-1-28	05027PM-T121	Needle Bar Guide Rail (12C)				1	
E-2-1-29	05041SC-A001	Guide Rail Screw				10	
E-2-1-30	11027CW-A001	Tension Plate Pin (@3.5*L10)				2	
E-2-1-31	05015CW-A001	Head Base Pin (@5*L15)				2	

E-2

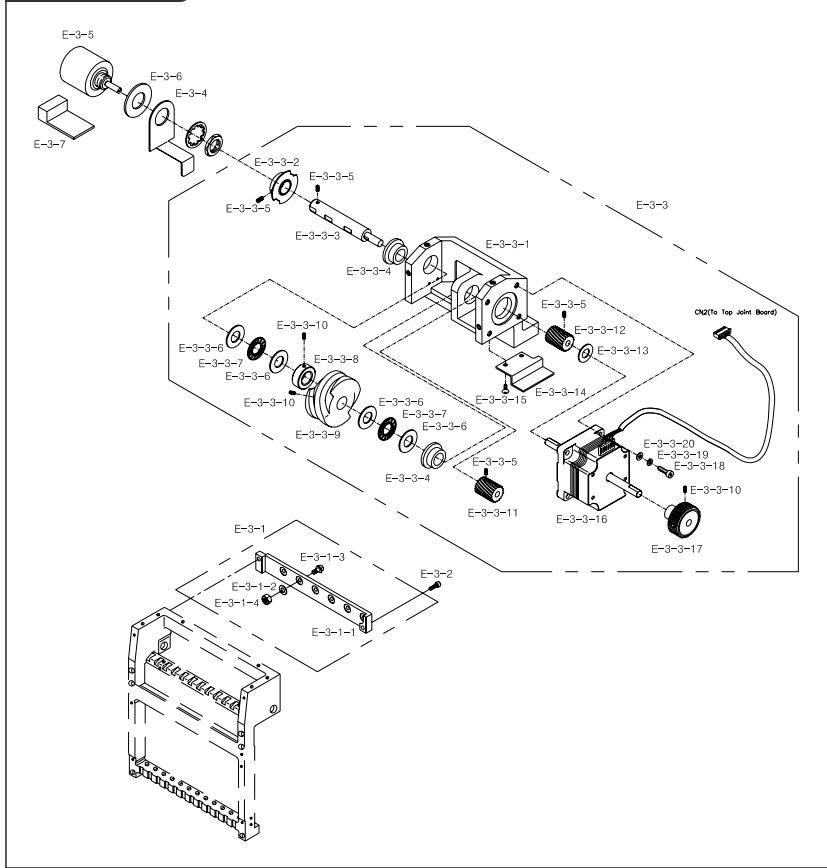


Ref.No	Part No.	Part Name	Applied Period	Interchangeability	Hardware	Qty	Remark
E-2-1-32	07005BM-B002	Take-Up Lever Set				12	
E-2-1-33	08200800A000	Take-Up Lever Shaft Bush (R)				1	
E-2-1-34	08203000A000	Take-Up Lever Shaft Bush (L)				1	
E-2-1-35	08202000I000	Tension Adjusting Plate Holder (12C)				2	
E-2-1-36	15034SC-4113	Hex. Socket Bolt (M4*L45)			O	2	
E-2-1-37	06003SW-2111	Washer(@4.5)			O	2	
E-2-2	05037DB-A001	Needle (DB-K5,#11)				12	
E-2-3	05363SC-A001	Needle Fixed Screw (A/S)				12	
E-2-4	05008SC-4113	Hex. Socket Bolt (M4*L16)			O	4	
E-2-5	05009SW-1111	Washer(@4)			O	4	

Note

E

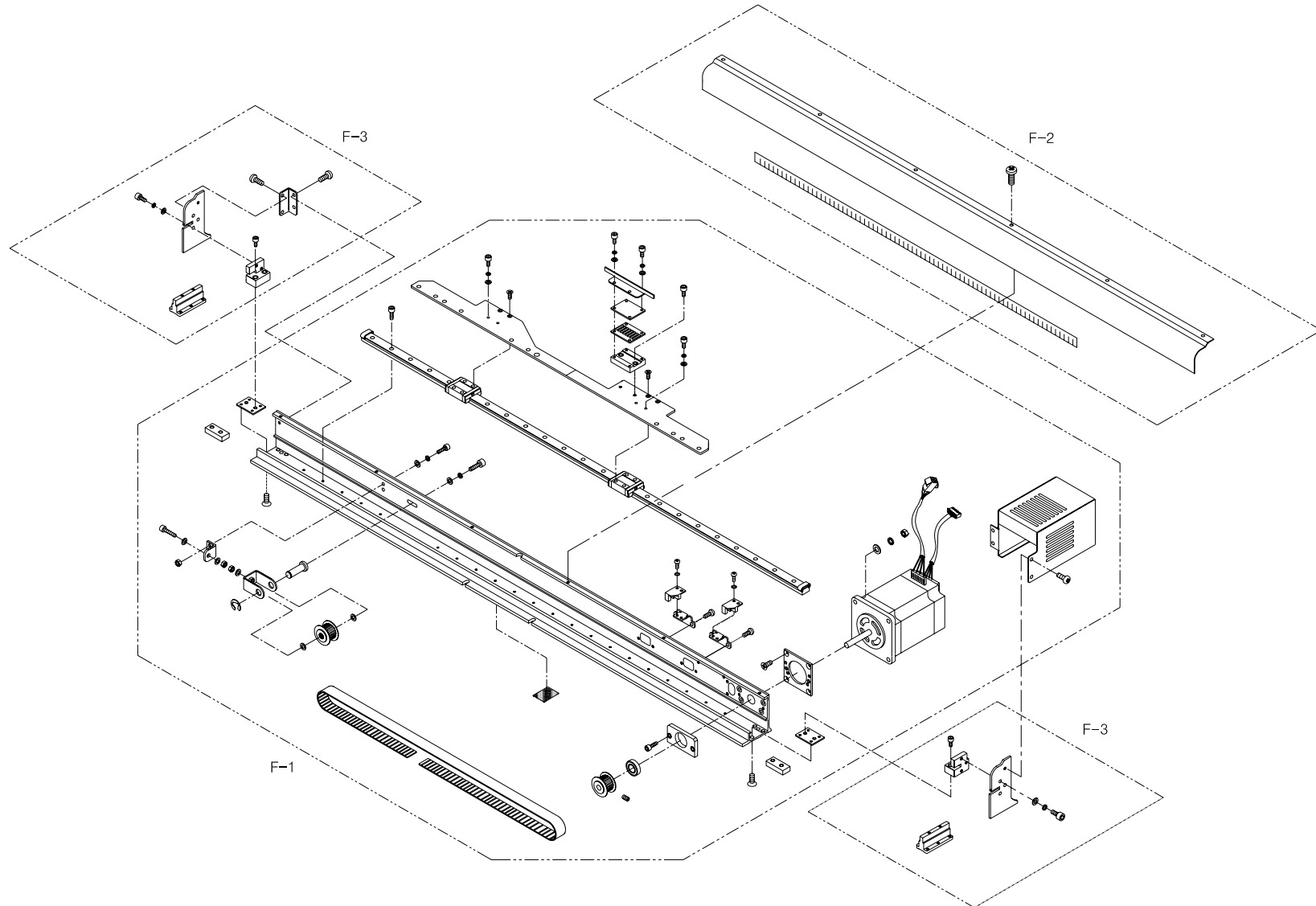
E-3



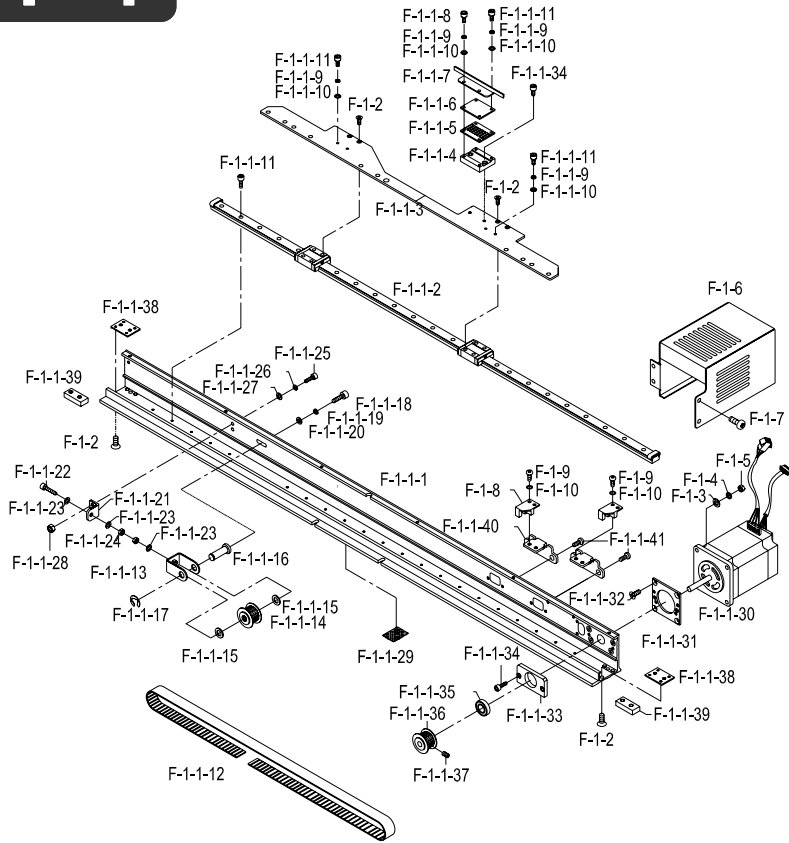
Note

Ref.No	Part No.	Part Name	Applied Period	Interchangeability	Hardware	Qty	Remark
E-3-1	05000004U000	C/C ROLLER BASE SET (12C)				1	
E-3-1-1	13026CL-UK06	Color Change Roller Base (12C)				1	
E-3-1-2	18048SW-3115	Spring Washer (@5)			O	12	
E-3-1-3	GP-037692-00	Roller Set	Mar,19,08 ~			12	
E-3-1-4	18083SN-3211	Hex. Nut (M5)			O	12	
E-3-2	08076SC-7113	Hex. Socket Bolt (M5*L12)			O	2	
E-3-3	AS-004008-00	Color Change Motor Set	Jan,19,06 ~			1	
E-3-3-1	GP-015881-00	Color Change Base	Feb,27,06 ~ May,16,06			1	
	GP-015881-01		May,17,06 ~			1	
E-3-3-2	13032AD-UK06	Color Change Film				1	
E-3-3-3	08100700T902	Color Change Shaft				1	
E-3-3-4	GP-006252-00	Color Change Bushing	Dec,15,04 ~			2	
E-3-3-5	08113SC-A001	Hex. Socket Set Screw(11/64,N=40,L6)			O	5	
E-3-3-6	13010BR-T121	Washer				4	
E-3-3-7	13041BR-UK01	Washer(12*@26*1T)				2	
E-3-3-8	08101100T010	Color Change Collar				1	
E-3-3-9	13005CM-UK06	Color Change Cam				1	
E-3-3-10	04012AF-A001	Hex. Socket Set Screw(15/64,N28)			O	7	
E-3-3-11	08104900T902	Color Change Gear (R)				1	
E-3-3-12	08105000T902	Color Change Gear (L)				1	
E-3-3-13	13019PR-A001	Washer				1	
E-3-3-14	08103600T010	Color Change Motor Blind				1	
E-3-3-15	02010SC-3123	Hex. Socket Bolt (M4*L8)			O	2	
E-3-3-16	MO-000012-00	Color Change Motor				1	
E-3-3-17	08102300T010	Color Change Passivity Handle				1	
E-3-3-18	05008SC-4113	Hex. Socket Bolt (M4*L16)			O	4	
E-3-3-19	18014SW-3115	Spring Washer (@4)			O	4	
E-3-3-20	18015SW-3111	Washer (@4)			O	4	
E-3-4	13015PR-UK06	Potentiometer Bracket				1	
E-3-5	15012MT-T902	Potentiometer (7824 R1K L25)				1	
E-3-6	15014PR-T121	Potentiometer Washer				1	
E-3-7	BD-000421-00	Potentiometer Board	Apr,18,04 ~			1	

X-Axis Drive Set



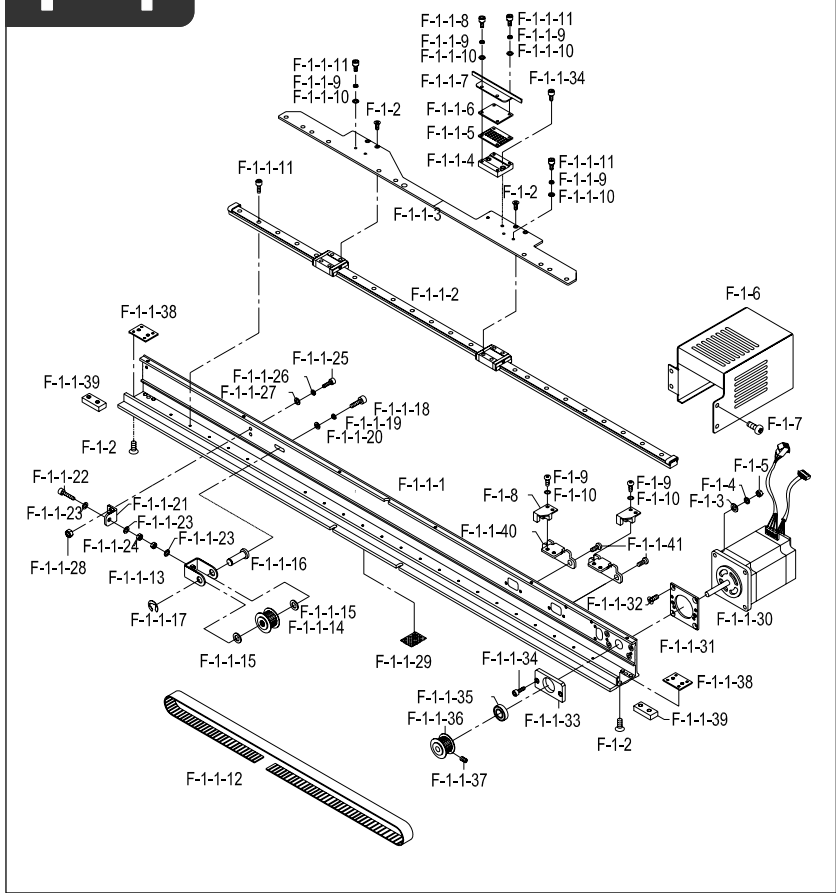
F-1



Note

Ref.No	Part No.	Part Name	Applied Period	Interchangeability	Hardware	Qty	Remark
F-1-1	AS-005583-00	X-Frame Ass'y	Oct,26,06 ~			1	
F-1-1-1	GP-024564-00	X-Frame	Dec,17,06 ~			1	
F-1-1-2	12033LM-T121	X-Axis Lm Guide Rail Set				1	
F-1-1-3	12035PR-T121	Frame Joint				1	
F-1-1-4	12036AD-T121	X-Axis Belt Bracket				1	
F-1-1-5	12037PR-T121	X-Axis Belt Holder				1	
F-1-1-6	12038PR-T121	X-Axis Belt Presser				1	
F-1-1-7	15040PR-T121	X-Sensor Bracket				1	
F-1-1-8	09007SC-7113	Hex. Socket Bolt (M3*L12)			O	2	
F-1-1-9	11019SW-9115	Spring Washer (@3)			O	8	
F-1-1-10	06011SW-2111	Washer (@3)			O	8	
F-1-1-11	13020SC-7113	Hex. Socket Bolt (M3*L8)			O	29	
F-1-1-12	12048BT-T121	X-Axis Timing Belt				1	
F-1-1-13	12020PR-T121	X-Pulley Shaft Bracket				1	
F-1-1-14	12017PU-T121	X-Driven Timing Pulley				1	
F-1-1-15	12019BR-T121	Slide Washer (R-TW1020)				2	
F-1-1-16	12021CW-T121	X-Timing Pulley Shaft				1	
F-1-1-17	12022SR-4013	E-Ring (@7)			O	1	
F-1-1-18	08076SC-7113	Hex. Socket Bolt (M5*L12)			O	1	
F-1-1-19	18048SW-3115	Spring Washer (@5)			O	1	
F-1-1-20	16018SW-1111	Washer (@4)			O	1	
F-1-1-21	12026PR-T121	Tension Adjusting Plate				1	
F-1-1-22	15030SC-7113	Hex. Socket Bolt (M5*L30)			O	1	
F-1-1-23	16018SW-1111	Washer (@5)			O	3	
F-1-1-24	18083SN-3211	Hex. Nut (M5)			O	1	
F-1-1-25	07016SC-7113	Hex. Socket Bolt (M4*L12)			O	2	
F-1-1-26	18014SW-3115	Spring Washer (@4)			O	2	
F-1-1-27	18015SW-3111	Washer (@4)			O	2	
F-1-1-28	15029SN-3211	Hex. Nut (M4)			O	2	
F-1-1-29	15062SF-T121	Felt (30*60*1T)				2	
F-1-1-30	STM01-000002	X-Motor (103H7126-0426)				1	
F-1-1-31	12006PR-T121	X-Axis Motor Plate (A)				1	
F-1-1-32	15084SC-7119	C.S SCREW (M4*L6)				4	
F-1-1-33	05100200T000	X-Axis Motor Plate (B)				1	
F-1-1-34	02014SC-7113	Hex. Socket Bolt (M4*L5)			O	4	
F-1-1-35	15077BR-A001	Ball Bearing (698ZZ)				1	
F-1-1-36	14063PU-UK01	Timing Pulley "B"				1	

F-1

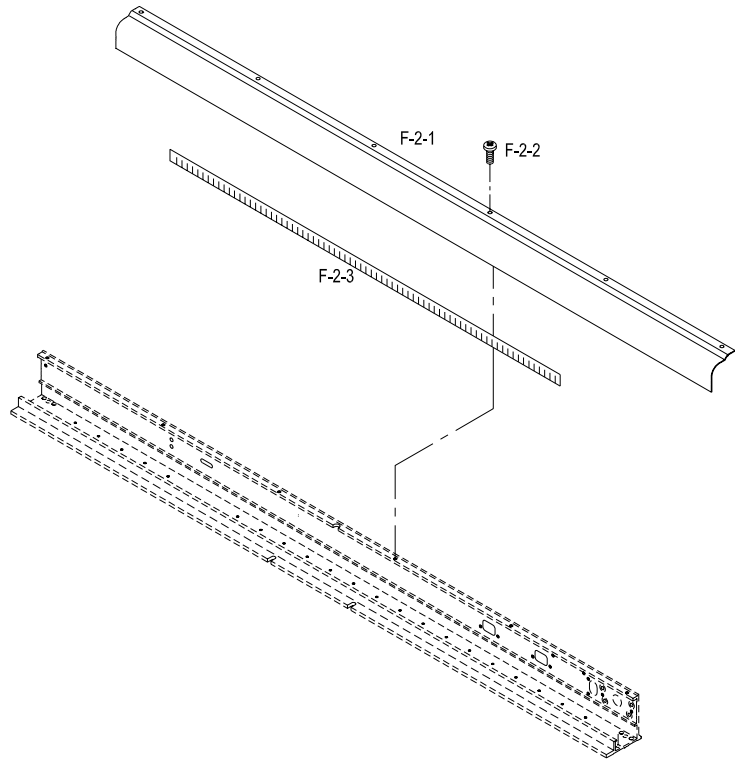


Note

Ref.No	Part No.	Part Name	Applied Period	Interchangeability	Hardware	Qty	Remark
F-1-1-37	04014SC-4517	Hex. Socket Set Screw (M5*L5)			O	2	
F-1-1-38	12049PR-T121	Connector Bracket Plate				2	
F-1-1-39	15073AD-T121	X-Moving Stopper				2	
F-1-1-40	15041PR-T121	X-Sensor Plate				2	
F-1-1-41	15042SC-3123	Plus Screw (M4*L6)			O	4	
F-1-2	10010SC-8119	Plus Screw (M3*L6)			O	4	
F-1-3	18015SW-3111	Washer (@4)			O	4	
F-1-4	18014SW-3115	Spring Washer (@4)			O	4	
F-1-5	05016SN-1211	Hex. Nut (M4)			O	4	
F-1-6	GP-022309-00	Motor Cover	Oct,17,06 ~ Oct,30,06			1	
	GP-022309-01		Oct,31,06 ~ Jan,16,07			1	
	GP-022309-02		Jan,17,07 ~ Feb,05,07			1	
	GP-022309-03		Feb,06,07 ~ Jul,23,07			1	
F-1-7	15042SC-3123	Plus Screw (M4*L6)			O	19	
F-1-8	15043EL-T121	X-Sensor Bracket				2	
F-1-9	22015SC-9134	Plus Screw (M3XL6)			O	4	
F-1-10	08011SW-1111	Washer (@3)			O	4	



F-2

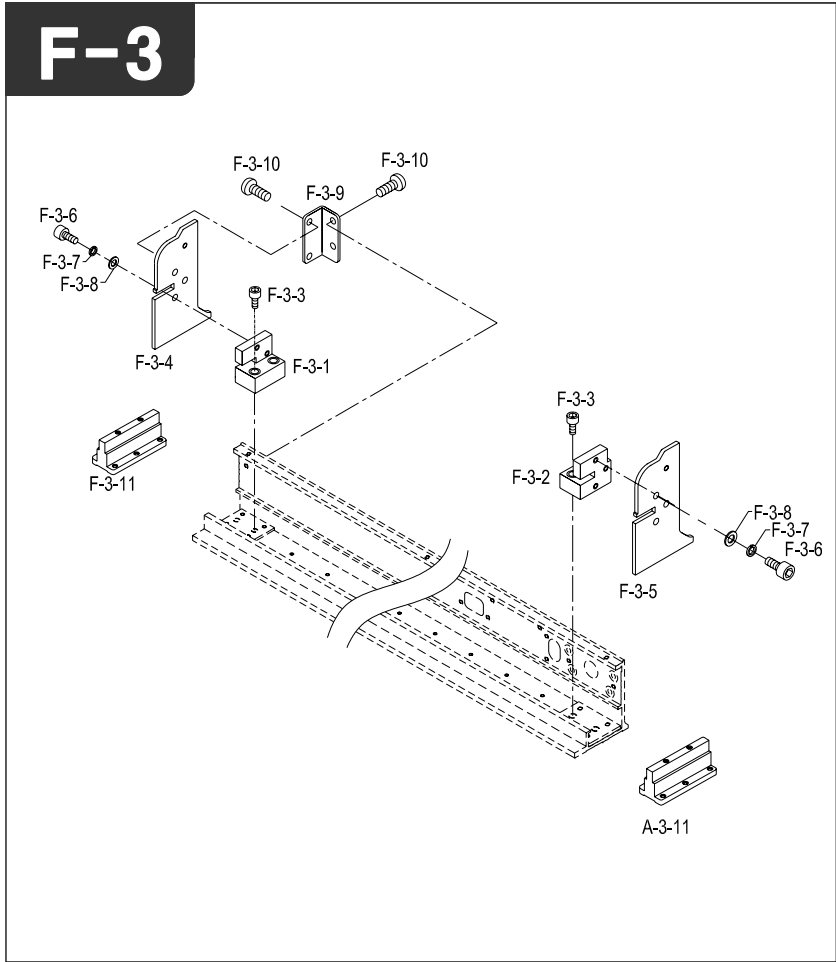


Note

Ref.No	Part No.	Part Name	Applied Period	Interchangeability	Hardware	Qty	Remark
F-2-1	GP-024554-00	X-Frame Cover	Dec,17,06 ~			1	
F-2-2	15042SC-3123	Plus Screw (M4*L6)			O	6	
F-2-3	02016ET-T121	Scale Sticker (X)				1	

F

F-3

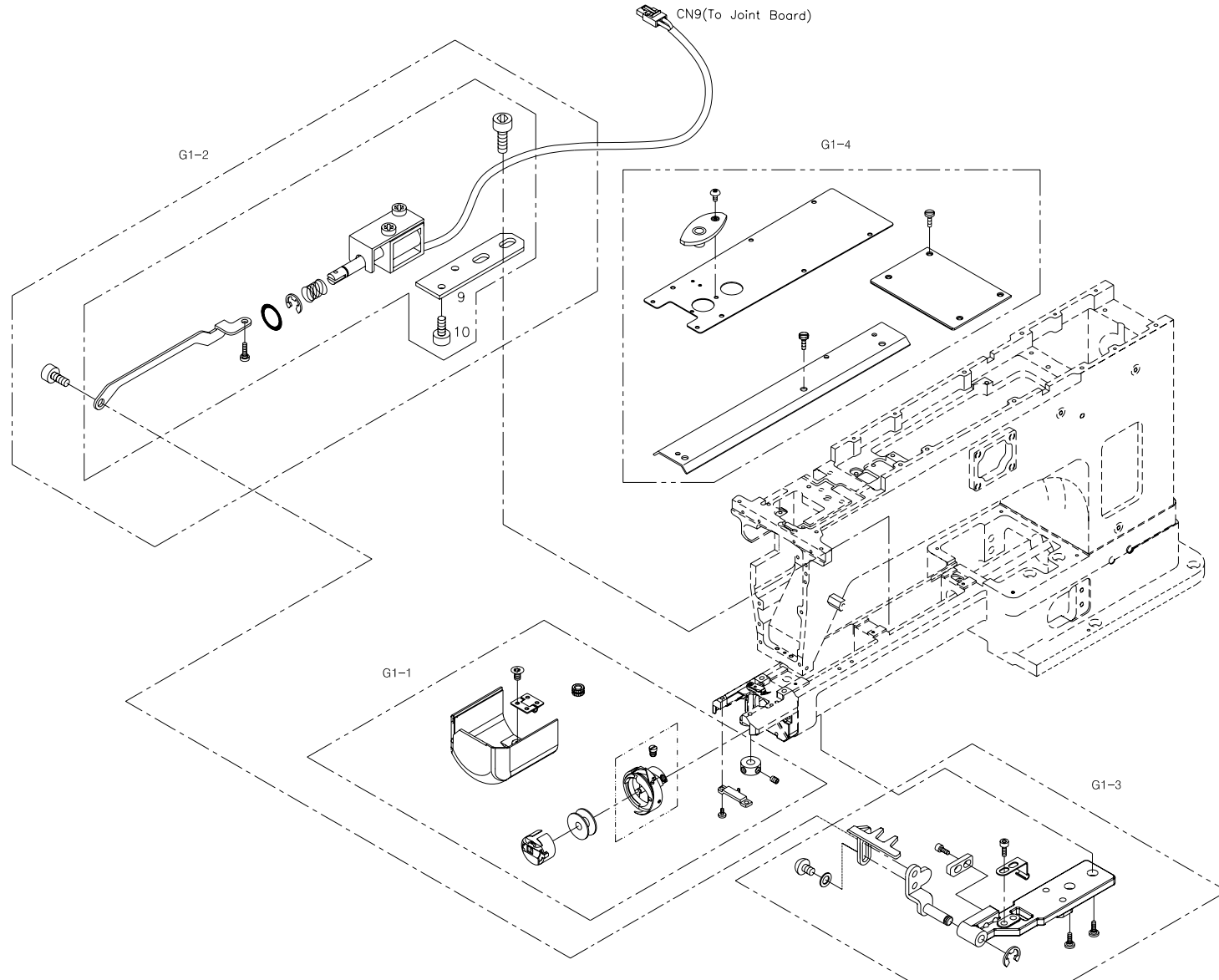


Note

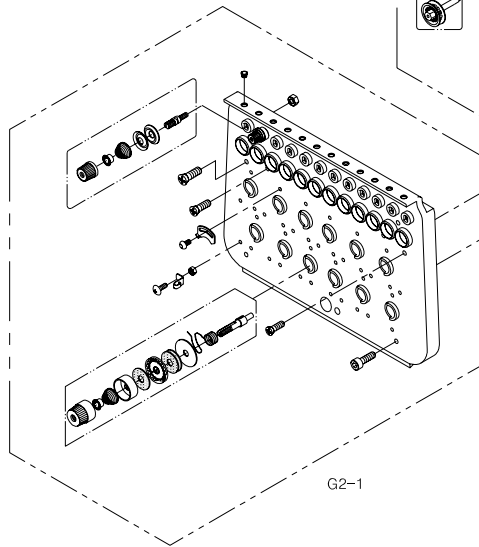
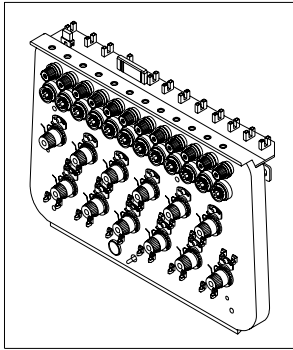
Ref.No	Part No.	Part Name	Applied Period	Interchangeability	Hardware	Qty	Remark
F-3-1	12051AD-T121	Y-Moving Connector Bracket (L)				1	
F-3-2	12053AD-T121	Y-Moving Connector Bracket (R)				1	
F-3-3	02031SC-7113	Hex. Socket Bolt(M5*L10)			O	4	
F-3-4	GP-024551-00	X-Frame Side Cover "R"	Dec,17,06 ~			1	
F-3-5	GP-024552-00	X-Frame Side Cover "L"	Dec,17,06 ~			1	
F-3-6	18013AF-7113	Hex. Socket Bolt (M4*L10)			O	6	
F-3-7	18014SW-3115	Spring Washer (@4)			O	6	
F-3-8	06003SW-2111	Washer (@4)			O	6	
F-3-9	GP-025624-00	Reinforced Plate For X-Frame	Jan,17,07 ~			1	
F-3-10	15042SC-3123	Plus Screw (M4*L6)			O	4	
F-3-11	GP-024553-00	X-Frame Support Plate	Dec,17,06 ~			2	



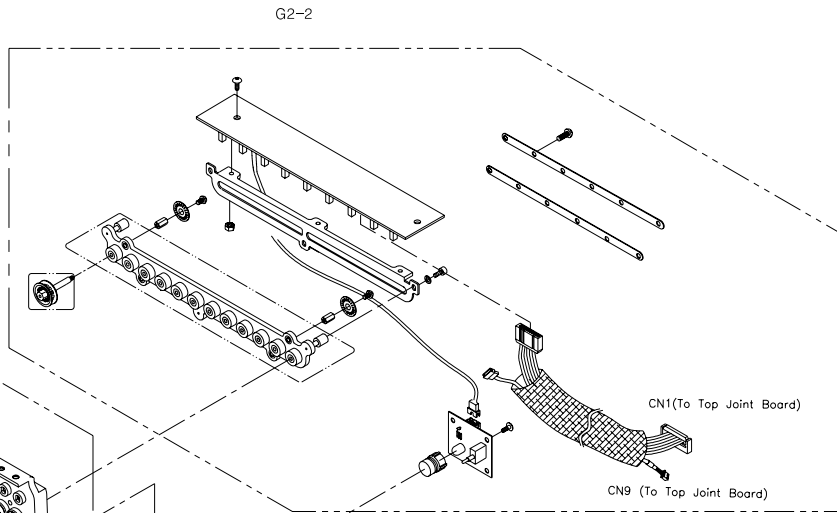
Setting 1



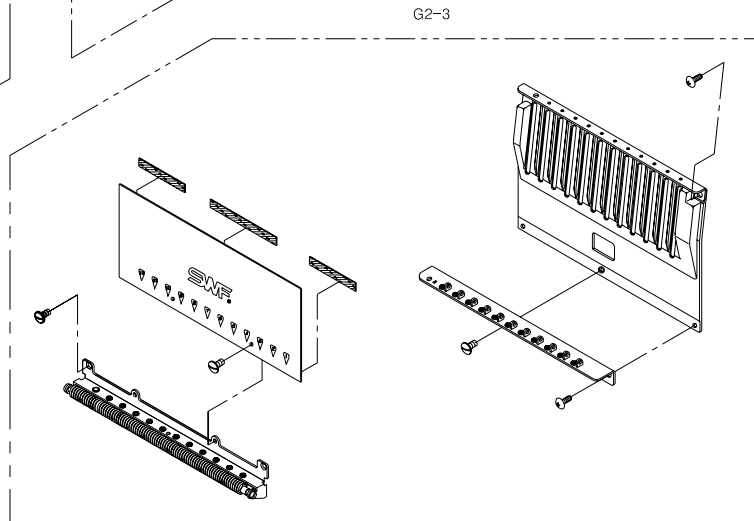
Setting 2



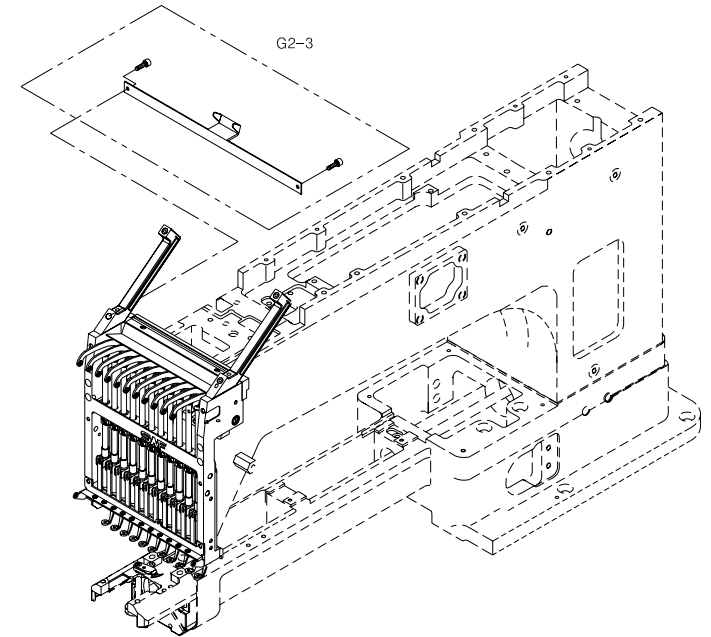
G2-1



G2-2

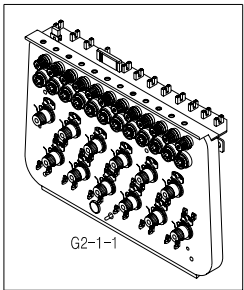


G2-3

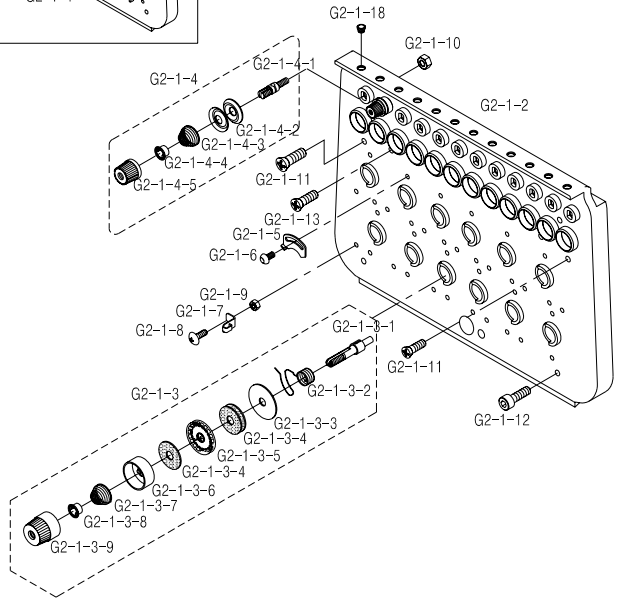


G2-3

G2-1



G2-1-1

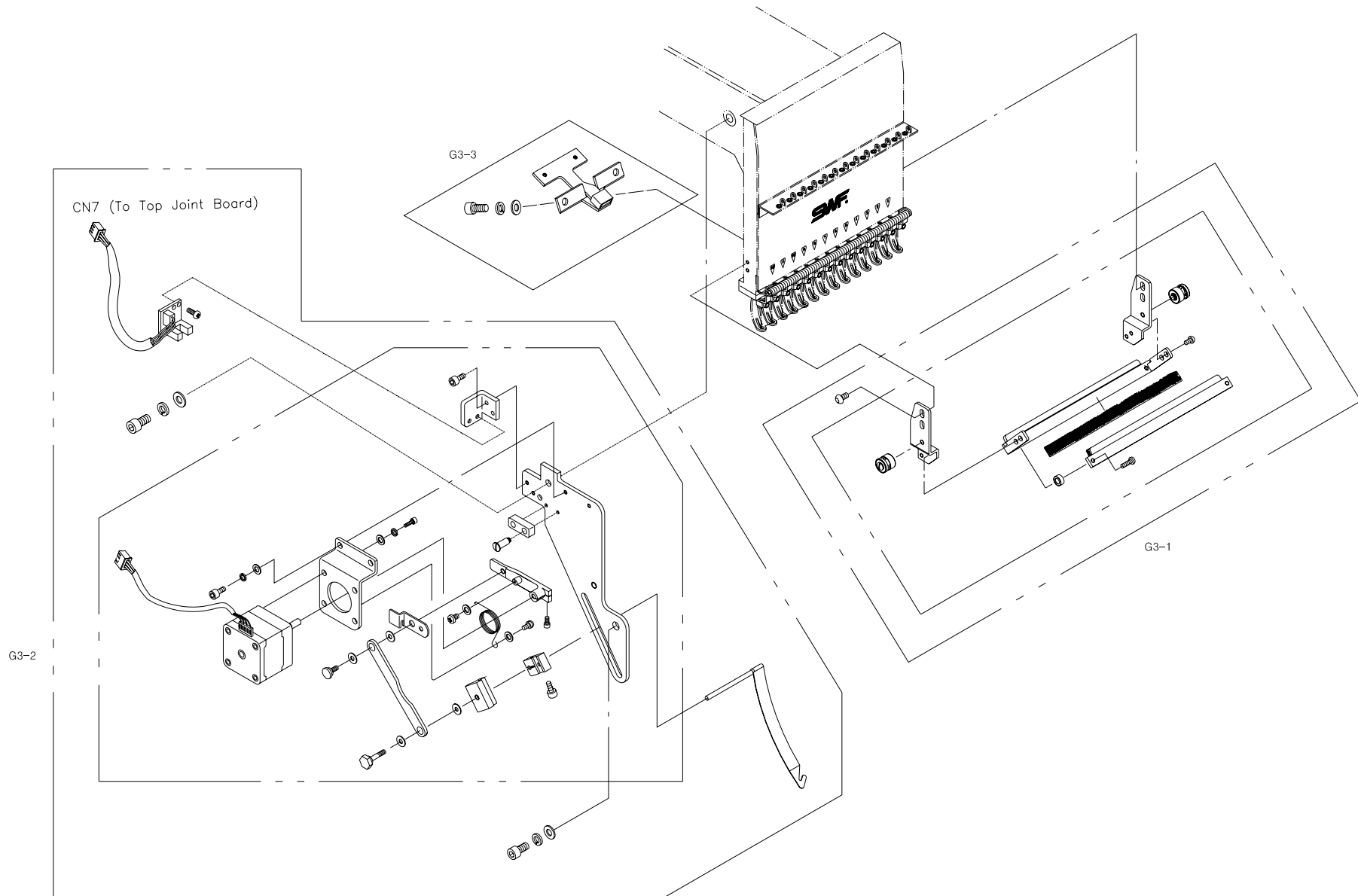


Note

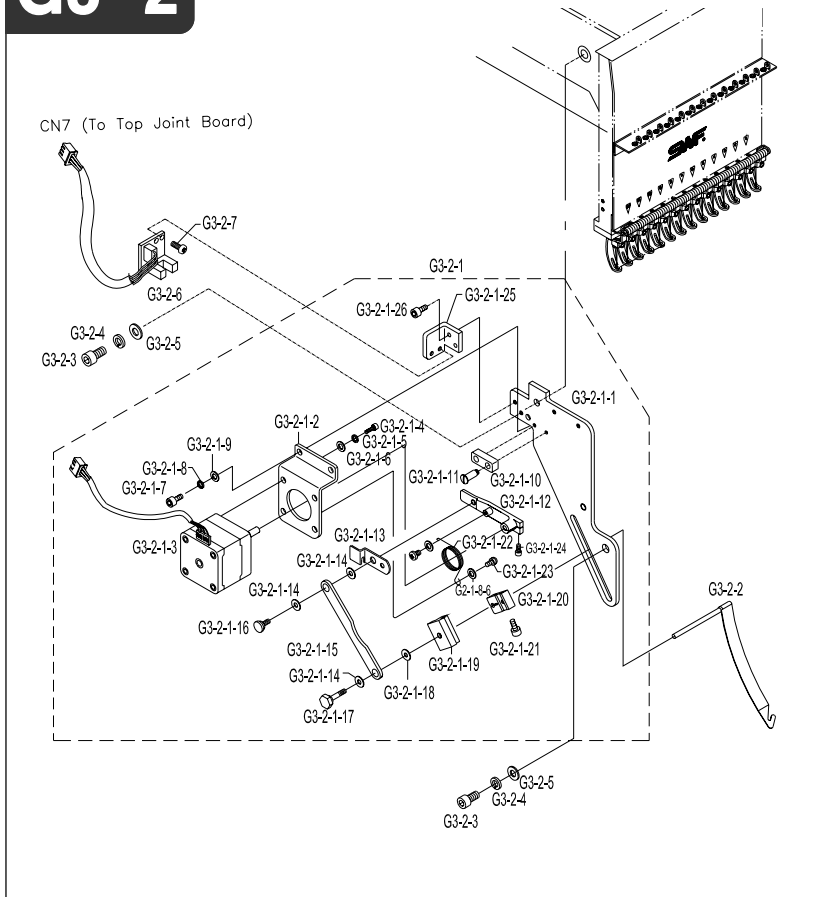
Ref.No	Part No.	Part Name	Applied Period	Interchangeability	Hardware	Qty	Remark
G2-1-1	AS-000476-00	Tension Unit Set	Jun,23,04 ~ May,09,07			1	
	AS-000476-01		May,10,07 ~			1	
G2-1-2	08300104I000	Tension Unit Plate (12C)				1	
G2-1-3	AS-000440-00	Tension Adjusting Set	Jun,23,04 ~			12	
G2-1-3-1	11081CW-A001	Thread Tension Adjusting Stud				1	
G2-1-3-2	11082AF-A001	Thread Take-Up Spring				1	
G2-1-3-3	11083PM-A001	Disc Plate				1	
G2-1-3-4	11084AF-A001	Felt				3	
G2-1-3-5	11085AF-A001	Rotary Tension Disc				1	
G2-1-3-6	11086PM-A001	Tension Spring Collar				1	
G2-1-3-7	08300800A000	Thread Take-Up Spring				1	
G2-1-3-8	08300700A000	Tension Spring Stopper				1	
G2-1-3-9	08300500A000	Tension Adjusting Nut				12	
G2-1-4	AS-000441-00	Sub Tension Adjusting Set	Jun,23,04 ~			1	
G2-1-4-1	08301000I000	Tension Adjusting Stud				1	
G2-1-4-2	08301200I000	Tension Disc				2	
G2-1-4-3	08301100I000	Tension Spring				1	
G2-1-4-4	11088PM-A001	Tension Spring Stopper				1	
G2-1-4-5	08300600A000	Sub Tension Adjusting Nut				1	
G2-1-5	11009PR-B001	Thread Breakage Detecting Plat				12	
G2-1-6	03006MC-T902	Truss Screw (M3*L6)			O	12	
G2-1-7	11012PR-B001	Thread Guide (New) (12C)				24	
G2-1-8	03006MC-9123	Plus Screw (M3*L6)			O	24	
G2-1-9	11014SN-1211	Hex. Nut (M3)			O	24	
G2-1-10	03031SN-A001	Hex. Nut (11/64, N40)			O	12	
G2-1-11	04008MC-9119	Plus Ssrew (M4*L8)			O	5	
G2-1-12	04010MC-7113	Hex. Socket Bolt (M4*L10)			O	2	
G2-1-13	02015SC-T902	C.S SCREW (M4*L10)			O	2	

G2

Setting 3



G3-2

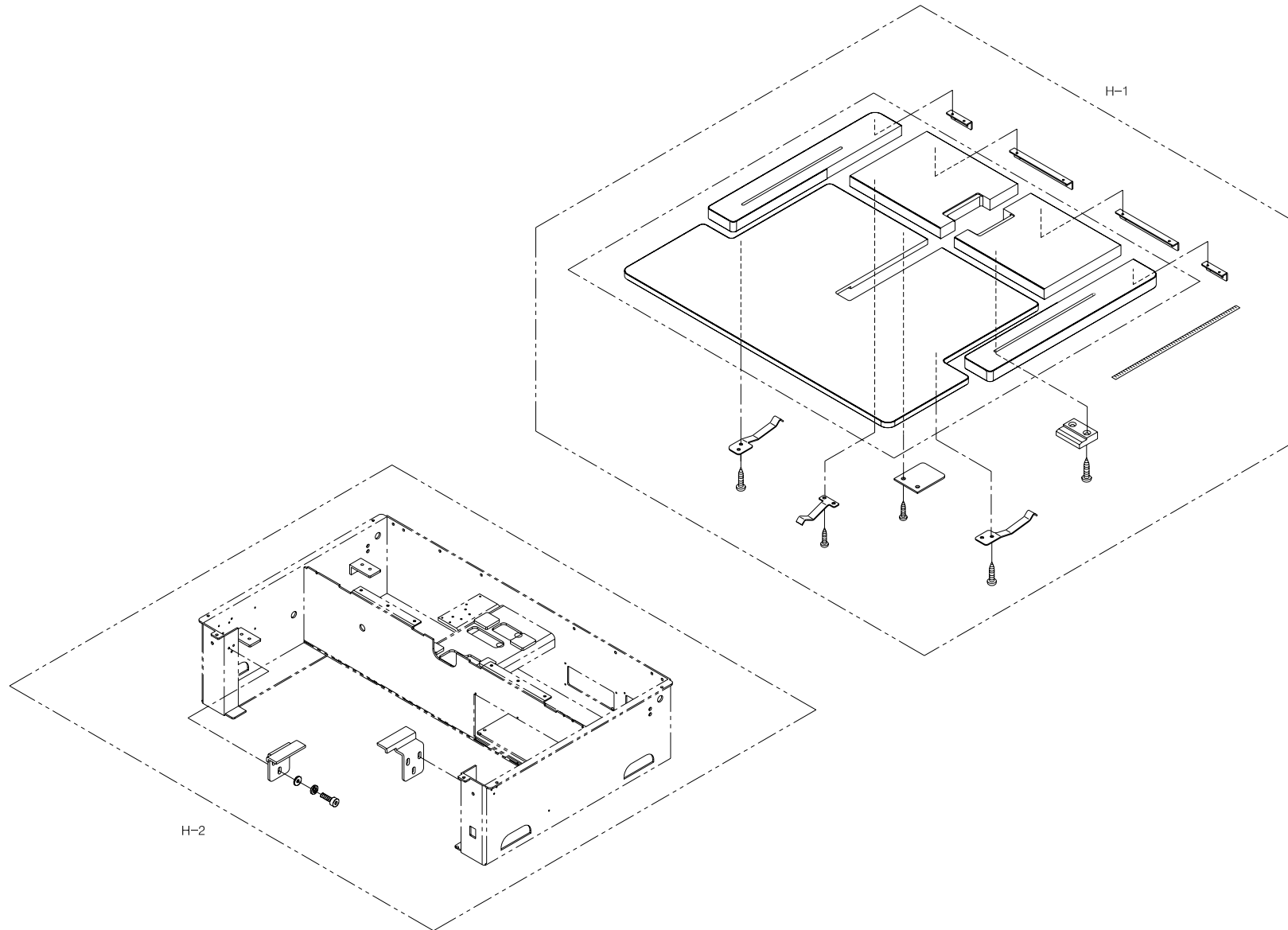


Note

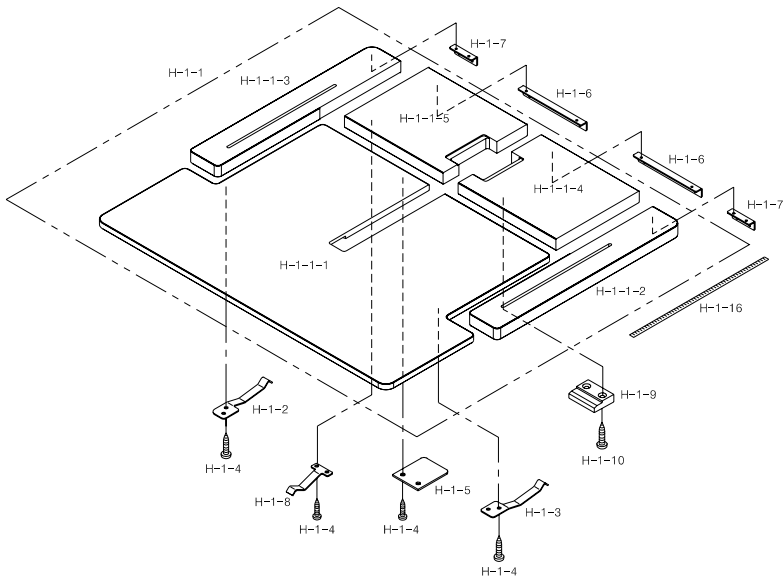
Ref.No	Part No.	Part Name	Applied Period	Interchangeability	Hardware	Qty	Remark
G3-2-1	08500010D000	Wiper Ass'Y				1	
G3-2-1-1	08500110C000	Upper Thread Hook Base				1	
G3-2-1-2	08500300C000	Upper Thread Hook Motor Base				1	
G3-2-1-3	08500200C000	Upper Thread Catcher Motor				1	
G3-2-1-4	13020SC-7113	Hex. Socket Bolt (M3*L8)			O	4	
G3-2-1-5	11019SW-9115	Spring Washer (@3)			O	4	
G3-2-1-6	06011SW-2111	Washer (@3)			O	4	
G3-2-1-7	02023SC-7113	Hex. Socket Bolt (M4*L8)			O	2	
G3-2-1-8	18014SW-3115	Spring Washer (@4)			O	2	
G3-2-1-9	18015SW-3111	Washer (@4)			O	2	
G3-2-1-10	09021RB-A001	Cushion Stopper				1	
G3-2-1-11	09033CW-CT01	Stopper Screw				2	
G3-2-1-12	08500700C000	Motor Shaft Connecting Lever				1	
G3-2-1-13	08500800C000	Wiper Return Sensor Plate				1	
G3-2-1-14	08500600C000	Wiper Driving Link Washer				3	
G3-2-1-15	GP-006007-00	Driving Link	Dec,02,04 ~			1	
G3-2-1-16	09013CW-T121	Driving Link Stud Screw				1	
G3-2-1-17	09010CW-T121	Stud Screw				1	
G3-2-1-18	09009PR-T121	Positioning Collar Washer				1	
G3-2-1-19	09008PM-T121	Positioning Collar				1	
G3-2-1-20	09006AD-T121	Positioning Collar Bracket				1	
G3-2-1-21	09007SC-7113	Hex. Socket Bolt (M3*L12)			O	1	
G3-2-1-22	08500400C000	Upper Thread Return Spring				1	
G3-2-1-23	06010SC-8118	Plus Screw (M3*L4)			O	2	
G3-2-1-24	02015SC-7113	Hex. Socket Bolt (M4*L10)			O	1	
G3-2-1-25	08501000C000	Wiper Return Sensor Bracket				1	
G3-2-1-26	07035SC-7113	Bracket Screw (M3*L6)			O	2	
G3-2-2	09005PR-CT01	Upper Thread Catcher				1	
G3-2-3	08076SC-7113	Hex. Socket Bolt (M5*L12)			O	2	
G3-2-4	18048SW-3115	Spring Washer (@5)			O	2	
G3-2-5	18049SW-3111	Washer (@5)			O	2	
G3-2-6	09017EL-T121	Wiper Sensor Board				1	
G3-2-7	08006SC-8118	Plus Screw (M3*L5)			O	2	

G3

Table



H-1



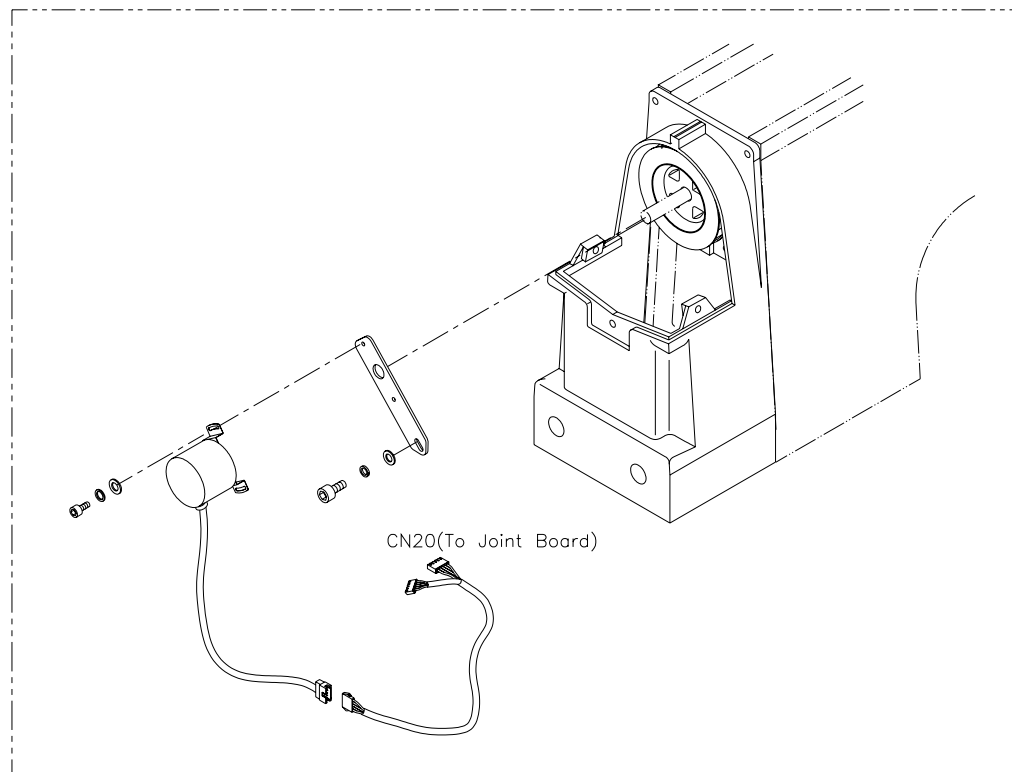
Note

Ref.No	Part No.	Part Name	Applied Period	Interchangeability	Hardware	Qty	Remark
H-1-1	AS-005302-00	Table Set	Sep,05,06 ~			1	
H-1-1-1	GP-021243-00	Table A	Sep,05,06 ~ Oct,30,06			1	
	GP-021243-01		Oct,31,06 ~ Jan,16,07			1	
	GP-021243-02		Jan,17,07 ~			1	
H-1-1-2	GP-020487-00	Table B	Sep,05,06 ~ Oct,30,06			1	
	GP-020487-01		Oct,31,06 ~ Jan,16,07			1	
	GP-020487-02		Jan,17,07 ~			1	
H-1-1-3	GP-020488-00	Table C	Sep,05,06 ~ Oct,30,06			1	
	GP-020488-01		Oct,31,06 ~ Jan,16,07			1	
	GP-020488-02		Jan,17,07 ~			1	
H-1-1-4	GP-021566-00	Table D	Sep,15,06 ~ Oct,27,06			1	
	GP-021566-01		Oct,28,06 ~ Jan,16,07			1	
	GP-021566-02		Jan,17,07 ~			1	
H-1-1-5	GP-021567-00	Table E	Sep,15,06 ~ Oct,27,06			1	
	GP-021567-01		Oct,28,06 ~ Jan,16,07			1	
	GP-021567-02		Jan,17,07 ~			1	
H-1-2	14004PR-T121	Table Support Plate (L)				1	
H-1-3	14006PR-T121	Table Support Plate (R)				1	
H-1-4	19002SC-1330	Tapping Screw (4*L16)				12	
H-1-5	14002PR-T121	Table Holder Plate "A"				4	
H-1-6	14015PR-T121	Table Holder Plate "D"				4	
H-1-7	14016PR-T121	Table Holder Plate "E"				2	
H-1-8	17013PR-T121	Table Pressure Plate				4	
H-1-9	05001500T000	Table Holder				4	
H-1-10	17014SC-1330	Tapping Screw (@4*L20)			O	8	
H-1-11	02017ET-T121	Scale Sticker				1	

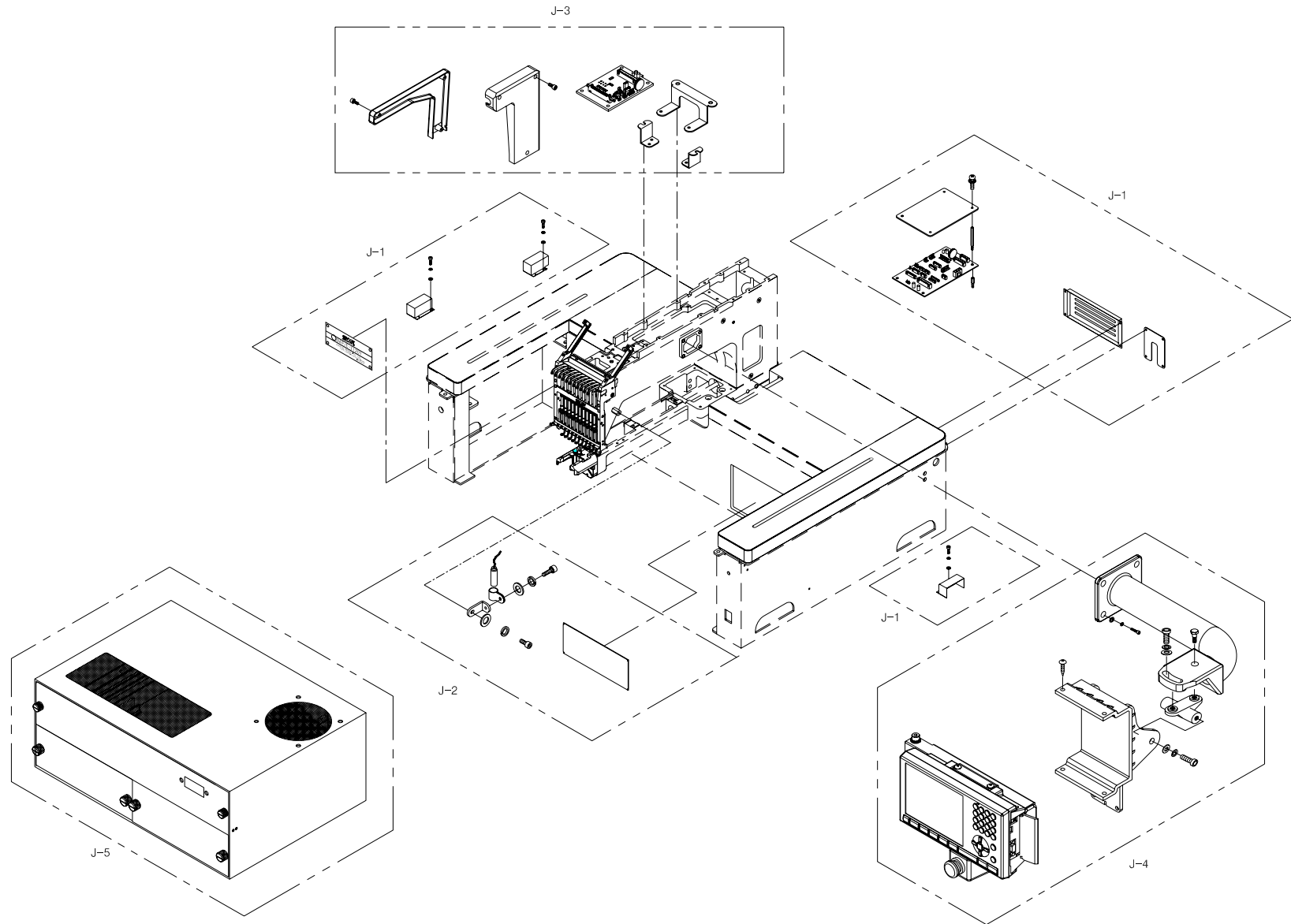


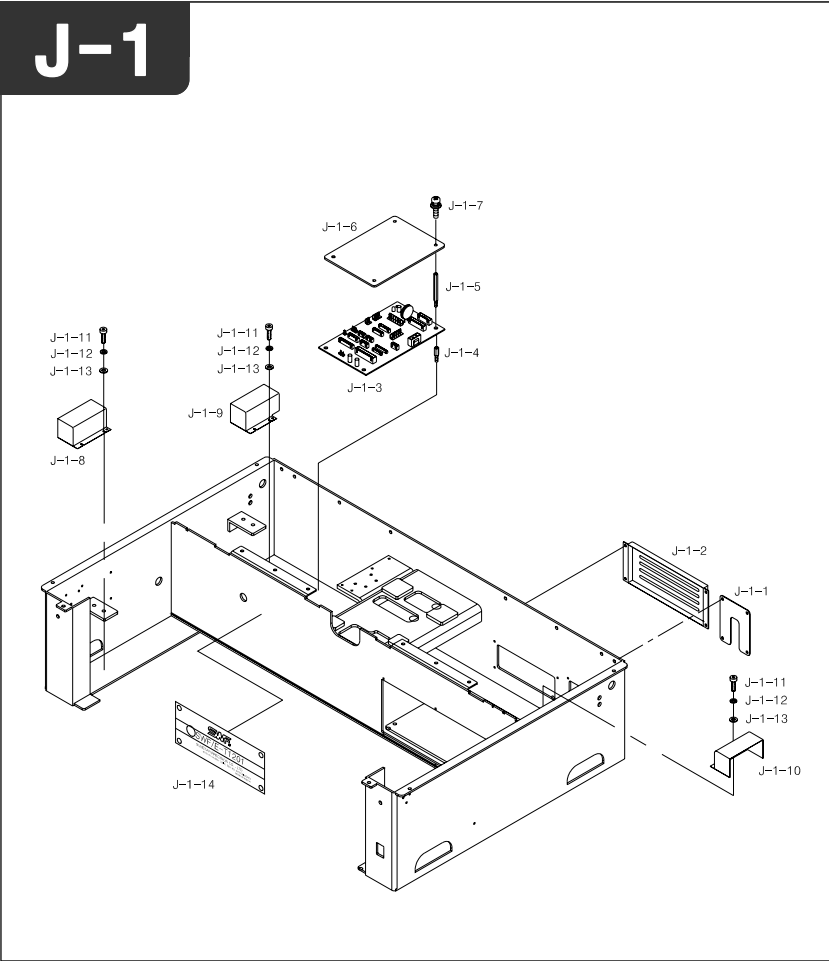
Set-Up

H-1



Op Box & Con Box

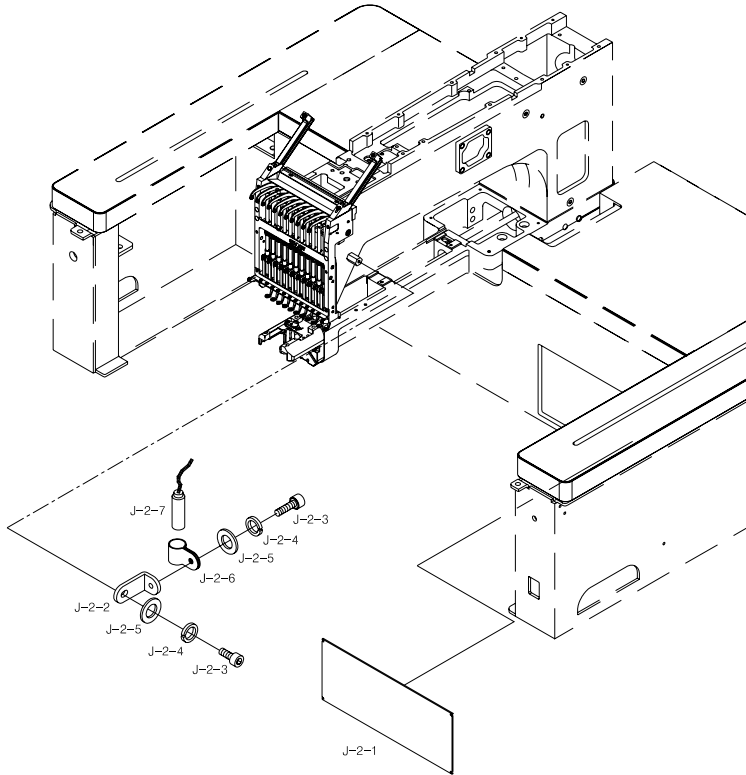




Note

Ref.No	Part No.	Part Name	Applied Period	Interchangeability	Hardware	Qty	Remark
J-1-1	GP-021507-00	Body Cover A	Sep,13,06 ~			1	
J-1-2	GP-021509-00	Body Cover C	Sep,13,06 ~			1	
J-1-3	BD-000295-00	Joint Board Ass'y	Nov,16,05 ~ Oct,11,06			1	
	BD-000295-01		Oct,12,06 ~			1	
J-1-4	11049SC-A001	Board Stud Bolt				4	
J-1-5	20036SC-T121	Cover Stud				8	
J-1-6	01013ET-CT01	Cable Guard Plate				1	
J-1-7	18154SC-9134	Plus Screw			O	4	
J-1-8	12000300T000	Handle Support Cover (F)				2	
J-1-9	GP-023669-00	Handle Support Cover (BL)	Nov,28,06 ~			1	
J-1-10	GP-023684-00	Handle Support Cover (BR)	Nov,28,06 ~			1	
J-1-11	14014SC-7113	Hex. Socket Set Screw (M5*L8)			O	6	
J-1-12	18048SW-3115	Spring Washer (@5)			O	6	
J-1-13	18049SW-3111	Washer (@5)			O	6	
J-1-14	GP-028113-00	Model Mark (E-T1201)	Mar,21,07 ~			1	

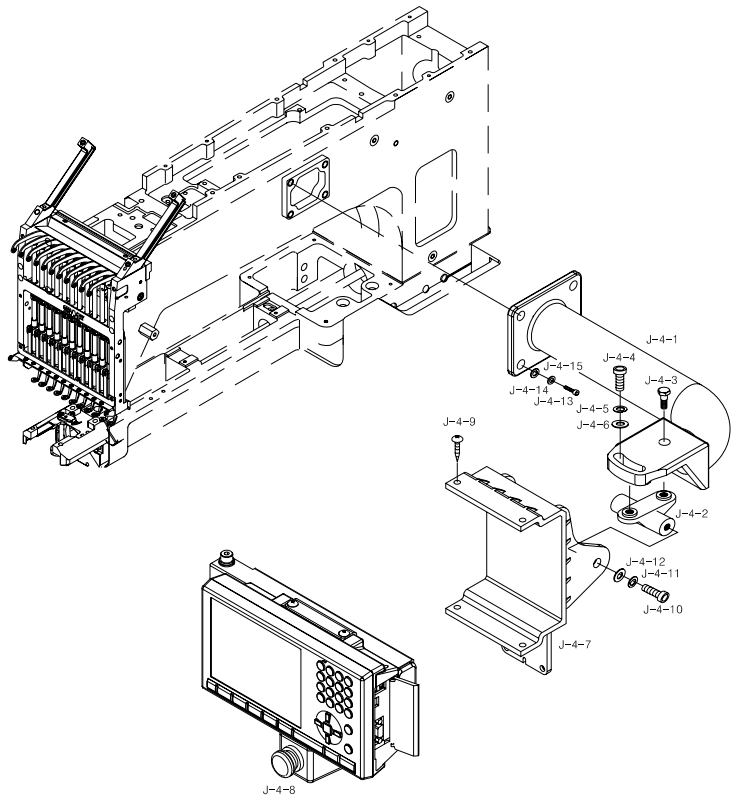
J-2



Note

Ref.No	Part No.	Part Name	Applied Period	Interchangeability	Hardware	Qty	Remark
J-2-1	GP-021506-00	Body Cover	Sep,13,06 ~ Oct,30,06			1	
	GP-021506-01		Oct,31,06 ~ May,27,07			1	
	GP-021506-02		May,28,07 ~ Jul,04,07			1	
	GP-021506-03		Jul,05,07 ~			1	
J-2-2	GP-013331-00	Connecting Bracket for Laser	Nov,19,05 ~ Oct,01,07			1	
	GP-013331-01		Oct,02,07 ~				
J-2-3	02015SC-7113	Hex. Socket Bolt(M4*L10)			O	2	
J-2-4	18014SW-3115	Spring Washer(@4)			O	2	
J-2-5	18014SW-3111	Washer(@4)			O	2	
J-2-6	GP-025802-00	Fixing Bracket for Laser	Jan,24,07 ~			1	
J-2-7	EP-000212-00	Laser	Feb,22,07 ~ May,08,07			1	
	EP-000212-01		May,08,07 ~			1	

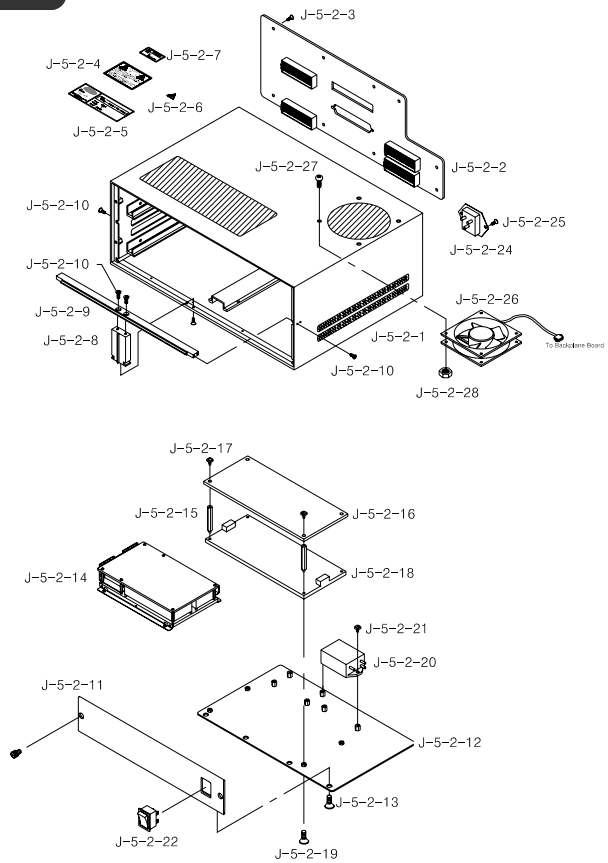
J-4



Note

Ref.No	Part No.	Part Name	Applied Period	Interchangeability	Hardware	Qty	Remark
J-4-1	GP-017207-00	Holder	Apr,18,06 ~			1	
J-4-2	19003CA-CT01	Hinged Block				1	
J-4-3	19006CW-CT01	Adjusting Bolt				1	
J-4-4	08091SC-7113	Hex. Socket Bolt (M6*L20)			O	1	
J-4-5	03026SW-9115	Spring Washer (@6)			O	1	
J-4-6	08057SW-1111	Washer (@6)			O	1	
J-4-7	GP-017967-00	OP Holder	May,25,06 ~ Apr,12,07			1	
	GP-017967-01		Apr,13,07 ~			1	
J-4-8	SWF-00000446	Operation Box Ass'y				1	
J-4-9	SC-000544-00	Plus Screw (M5*L12)	Apr,04,06 ~			4	
J-4-10	08087SC-7113	Hex. Socket Bolt (M8*L25)			O	2	
J-4-11	15095SW-3115	Spring Washer (@8)			O	2	
J-4-12	08041SW-1111	Washer (@8)			O	2	
J-4-13	19005CW-CT01	Screw For Lamp Bracket				4	
J-4-14	15095SW-3115	Spring Washer (@8)			O	4	
J-4-15	08041SW-1111	Washer (@8)			O	4	

J-5-2

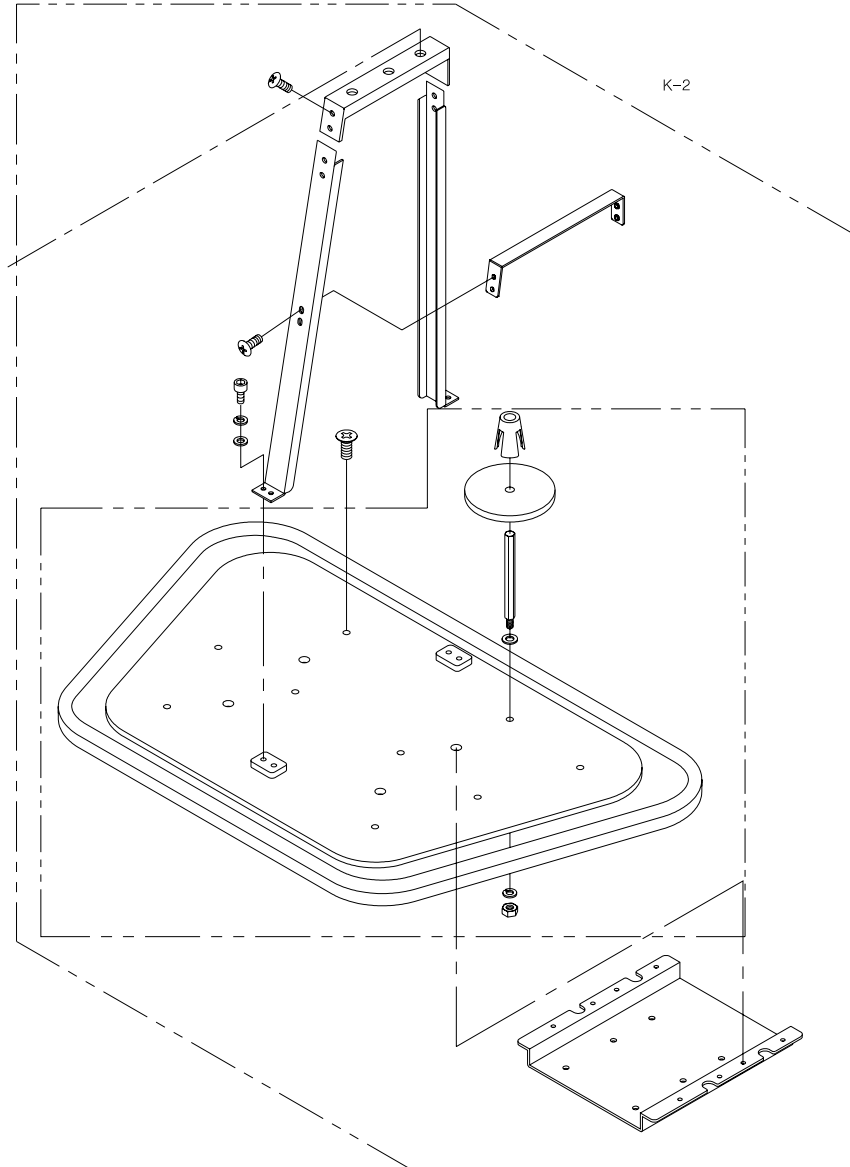
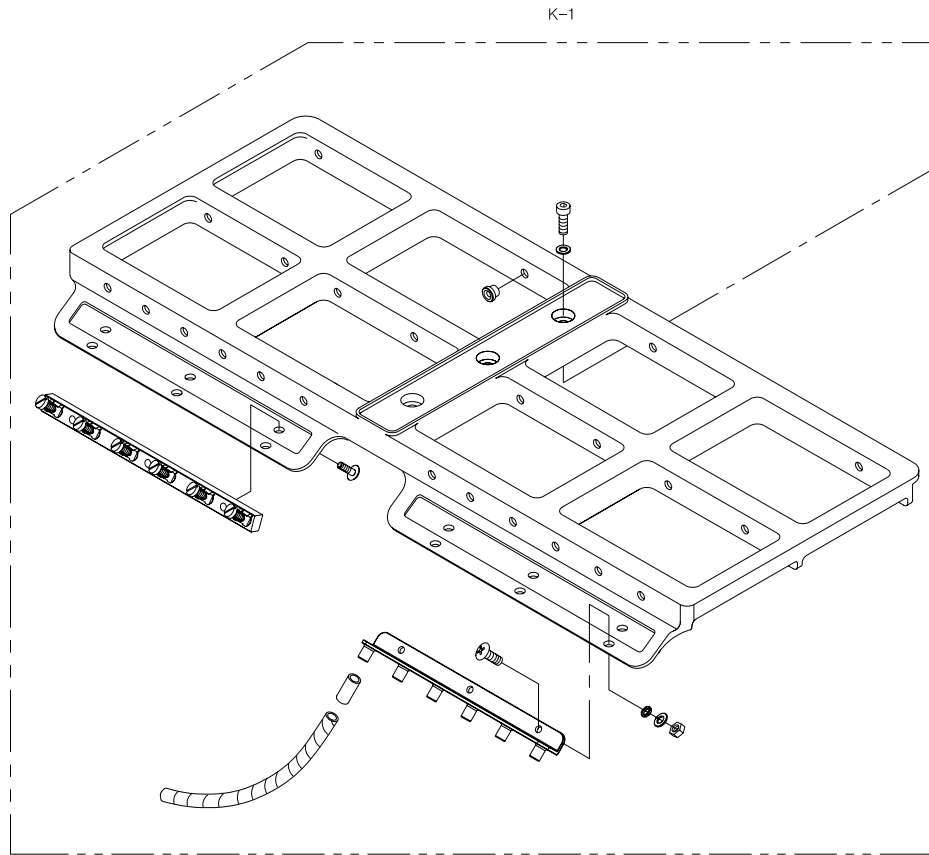


Note

Ref.No	Part No.	Part Name	Applied Period	Interchangeability	Hardware	Qty	Remark
J-5-2-1	GP-015648-01	Control Box				1	
J-5-2-2	BD-000298-00	Back plane Board				1	
J-5-2-3	10-020M-SW66	Screw (M3xL12)				9	
J-5-2-4	GP-015659-00	Voltage Sticker				1	
J-5-2-5	04-004S-AU10	Warning Sticker				1	
J-5-2-6	04-003S-AU10	Electric Shock Attention Sticker				1	
J-5-2-7	09-023C-SC-53	QC Passed Sticker				1	
J-5-2-8	GP-015662-02	Cover Guide for Front A				1	
J-5-2-9	GP-015663-03	Cover Guide for Front B				1	
J-5-2-10	10-004M-SW68	Screw for Cover Guide (M3xL5)				8	
J-5-2-11	GP-015661-01	Control BoX Front Cover(B)				1	
J-5-2-12	GP-015649-01	SMPS Bracket				1	
J-5-2-13	SC-000391-00	Screw for SMPS Bracket (M4xL5)				4	
J-5-2-14	EP-000029-00	SMPS					
J-5-2-15	GP-010543-01	SMPS Cover Stud (3-5-50)				4	
J-5-2-16	GP-021400-00	SMPS Radiator				1	
J-5-2-17	10-028S-SC53	Screw Ass'y SMPS Radiator (M3xL7)				4	
J-5-2-18	BD-000293-00	Unit SMPS Board				1	
J-5-2-19	10-028S-SC53	Screw Ass'y Unit Board (M3xL7)				4	
J-5-2-20	GP-007476-00	Noise Filter				1	
J-5-2-21	10-028S-SC53	Screw for Noise Filter (M3xL7)				2	
J-5-2-22	EP-000032-00	MAIN POWER SWITCH				1	
J-5-2-23	SC-000406-00	Screw for Control Box Front Cover (B)				2	
J-5-2-24	EP-000028-00	POWER SOCKET				1	
J-5-2-25	10-004M-SW68	Screw for POWER SOCKET (M3xL5)				2	
J-5-2-26	EP-000040-00	Fan				1	
J-5-2-27	SC-000392-00	Screw for Fan(M4*L30)				4	
J-5-2-28	09-041S-3701	Fan Nut(M4)				4	

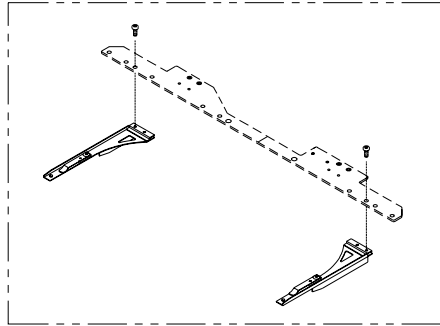


Spool

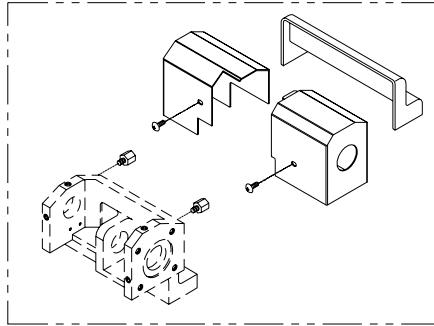


Cover

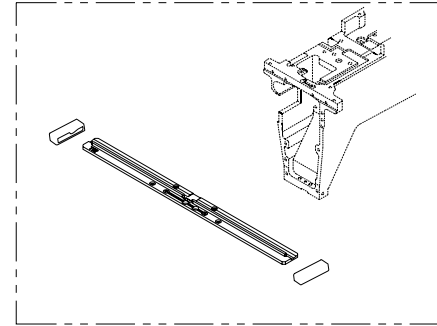
L-1



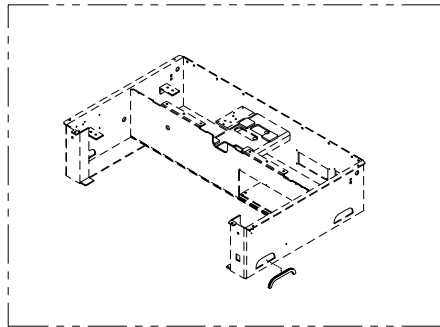
L-2



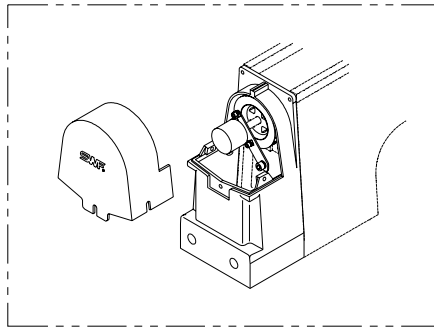
L-3



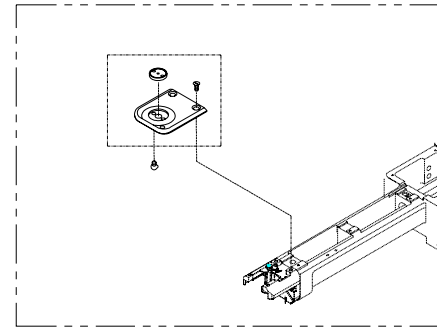
L-4



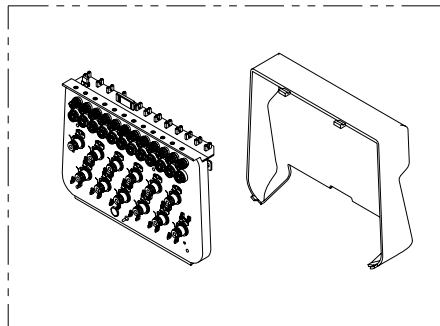
L-5



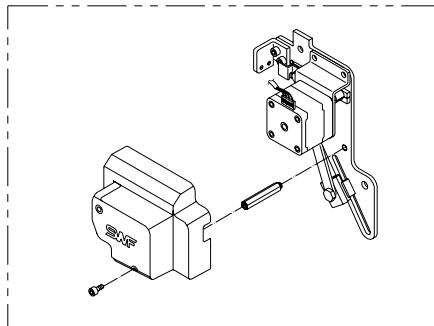
L-6



L-7



L-8



Border Frame

