

# PARTS BOOK

---

MA-6

# Notice

---

1. Parts Book 가 .
2. 가 .
3. Part Book .

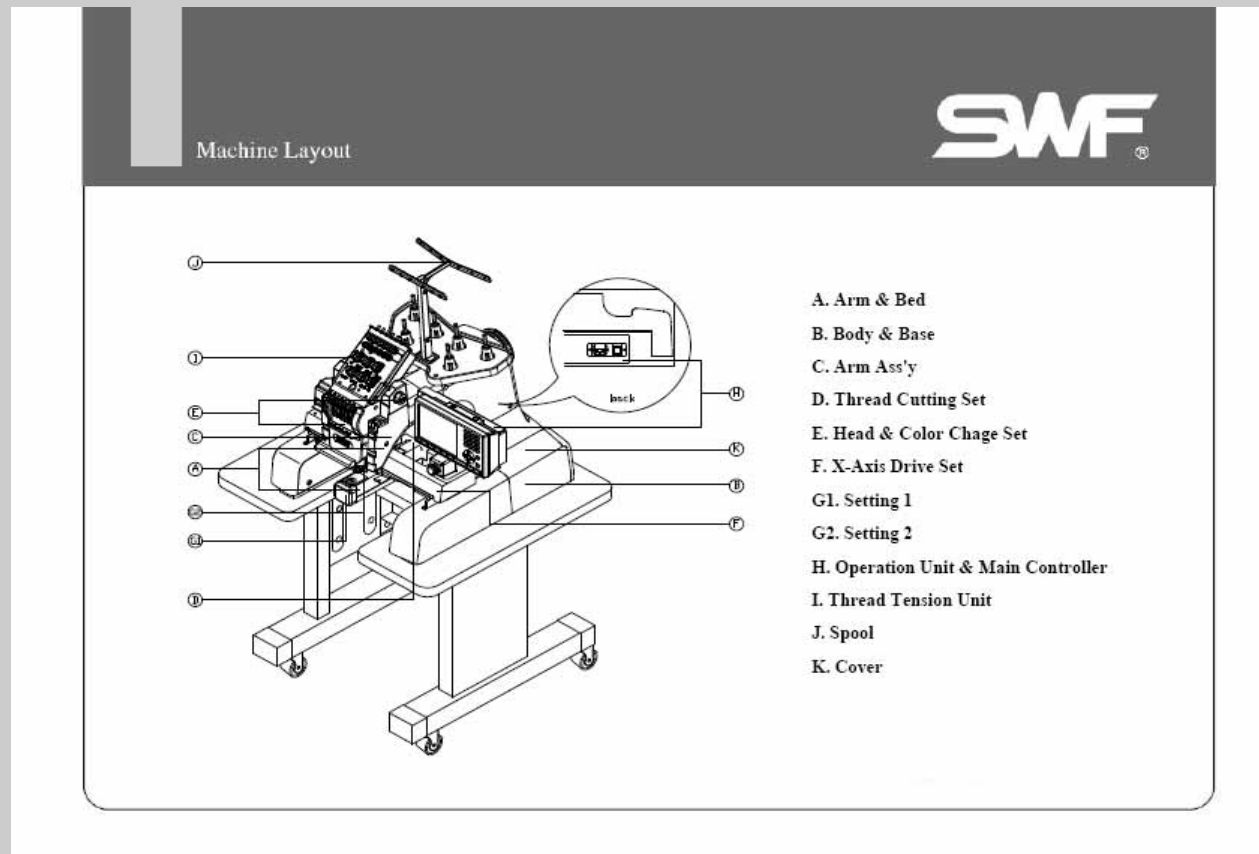
- 1) Machine Layout
- 2) Section
- 3) Part List

1. This is a parts book. It cannot be used as a manual.
2. The parts classified as ass'y items may cause damage to the machine or bad embroidery when they are separately assembled.  
Hence, when they are ordered, they can be purchased as ass'y items only.
3. The Part Book is classified as below and users could search products in the following order.

- 1) Machine Layout
- 2) Section
- 3) Part List

# Information

## A. Structure of Part Book 1. Machine Layout



# Information

## A. Structure of Part Book

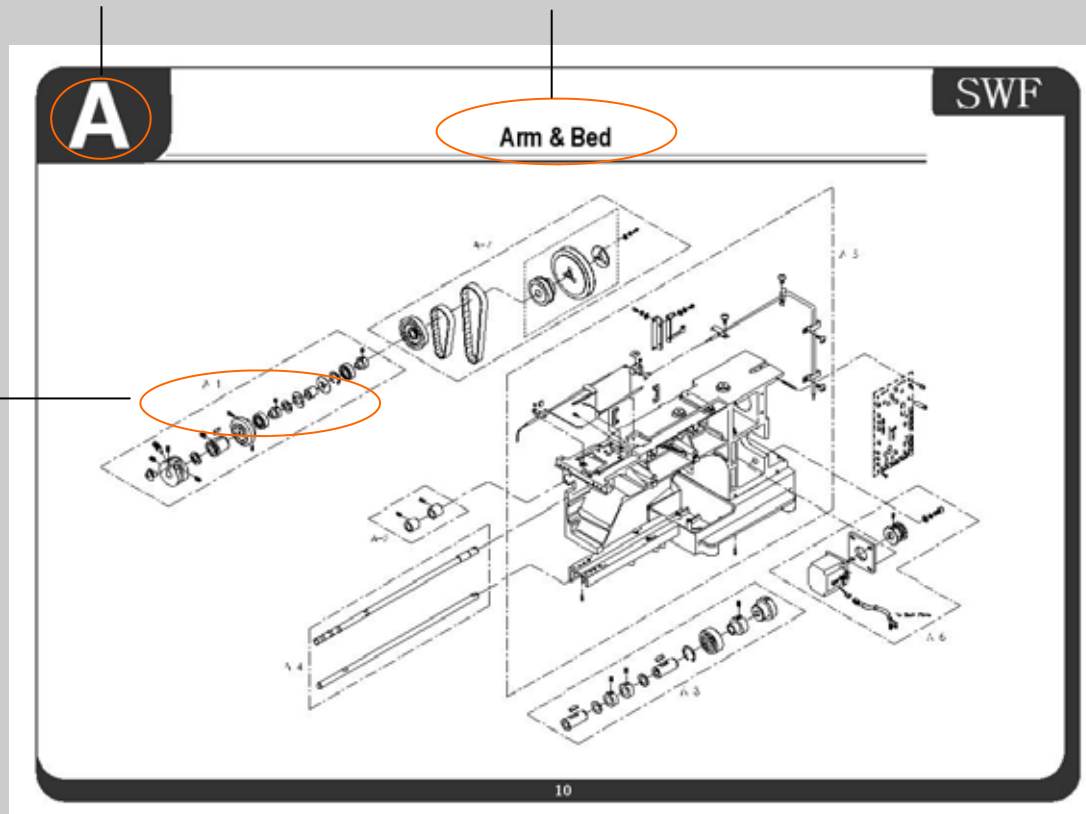
### 2. Section

: Index Number

: Index Group

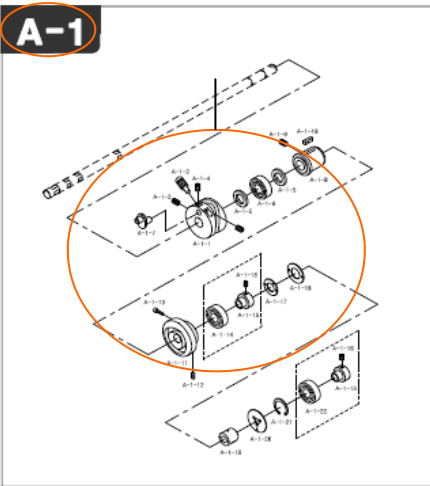
: Related Parts

Ex) A-1, A-2, A-3...



# Information

## A. Structure of Part Book 3. Part List



**A-1**

Note

Ref No	Part No	Part Name	Applied Period	Interchangeable	Hardware	Qty	Remark
A-1-1	01018CM-T909	Twice-up Letter Drivink Cam	~ Oct-08-07			1	
	09-033491-00	Twice-up Letter Drivink Cam	Oct-08-07 ~	X		1	
A-1-2	01017CW-T121	Cam Screw (8/32x28L=17)				1	
A-1-3	010185C-4313	Screw (11/64"x28 L=7.5)			0	1	
A-1-4	010185C-4313	Hex. Socket Set Screw (1/4" x28 L=4.5)				2	
A-1-5	08028RR-A001	Washer				1	
A-1-6	08028RR-A001	Washer				1	
A-1-7	01020PH-T902	Steele Bar Crank				1	
A-1-8	01012MP-T121	Upper Shaft Bushing (H)				1	
A-1-9	030045C-4317	Screw (1/8"x28. L=1.4)			0	3	
A-1-10	010149F-T121	Felt				1	
A-1-11	05073CM-C101	Presser Foot Drivink Cam				1	
A-1-12	04012AP-A001	Screw (1/8"x28)				0	3
A-1-13	110985C-4113	Screw (M4xL20)			0	1	
A-1-14	01028RR-A001	Washer (600422)				1	
A-1-15	030009001000	Washer Collar				0	2
A-1-16	04012AP-A001	Screw (1/8"x28)				0	3
A-1-17	WS-00018R-00	Washer				0	1
A-1-18		Code Wheel				1	
A-1-19	CL-000097-00	Collar				1	
A-1-20	09-018534-01	Special Plate				1	
A-1-21	030185R-4013	C-Ring (H47)			0	1	
A-1-22	030185R-T121	Washer (600422)				0	1

Note) \* : Checks the timing of application.

Index Number  
Ex) A-1, A-2...

Parts View

# Information

## A. Structure of Part Book

Ref. No

Part No

Ex)

Category	CODE	Remark
Old part	16009SC-4113	
New part	<b>AS</b> -000000-00	Set parts (Set )
	<b>GP</b> -000000-00	Instrumental parts ( )
	<b>EP</b> -000000-00	Electrical parts ( )

Parts Name :

: Refers to unique names of parts

Applied Period

Ex1) 2007 2 10 , 2008 7 10

-> Feb.10.07 ~ Jul.10.08

Ex1) Applied from Feb. 10, 2007, To on July 10, 2008

-> Feb.10.07 ~ Jul.10.08

Ex2) 2007 2 10

-> Feb.10.07 ~

Ex2) Applied from Feb. 10, 2007

-> Feb.10.07 ~

# Information

---

---

## A. Structure of Part Book

### Interchangeability

O :                     가  
                              가  
: It is interchangeable between old and new part.

X :                     가  
                              가  
: It is not interchangeable between old and new part.

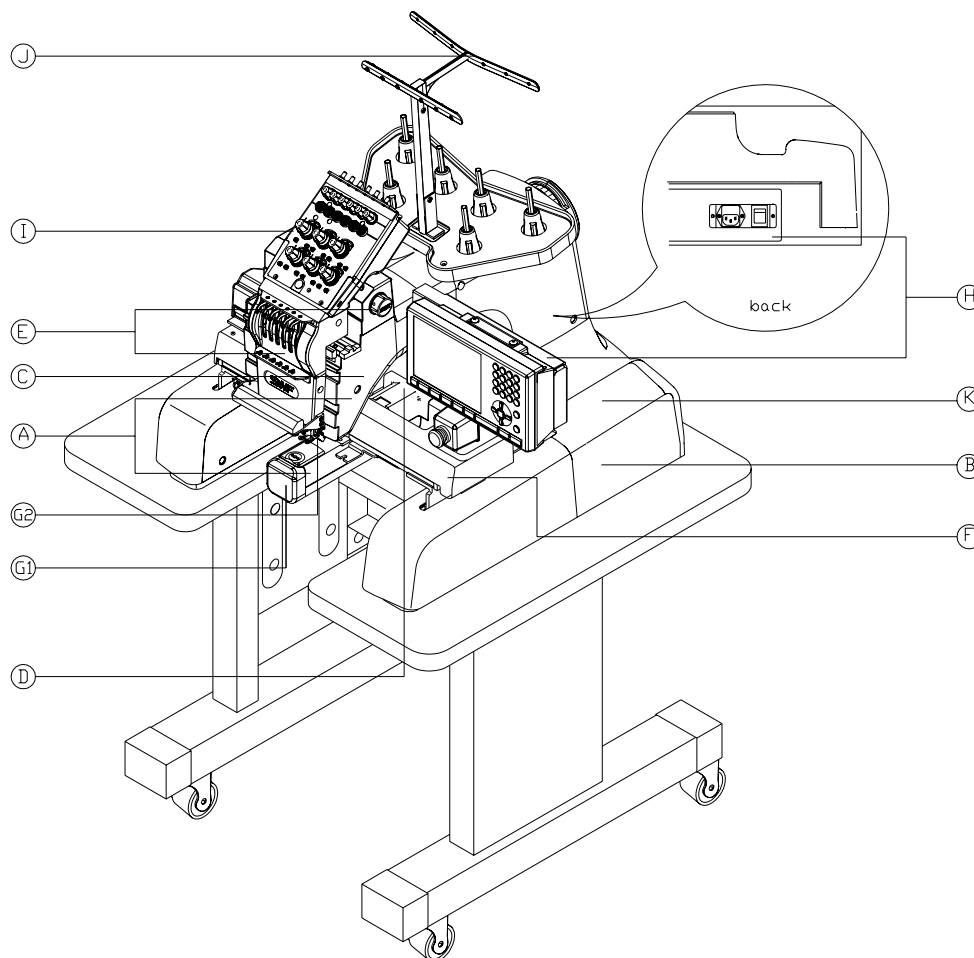
      :                     가  
                              가  
      : It is interchangeable by new part only.

Hardware :  
          : Parts that can be purchased in the market

Q'ty :  
      : Quantity of part

Remark

Index Number



- A. Arm & Bed**
- B. Body & Base**
- C. Arm Ass'y**
- D. Thread Cutting Set**
- E. Head & Color Chage Set**
- F. X-Axis Drive Set**
- G1. Setting 1**
- G2. Setting 2**
- H. Operation Unit & Main Controller**
- I. Thread Tension Unit**
- J. Spool**
- K. Cover**

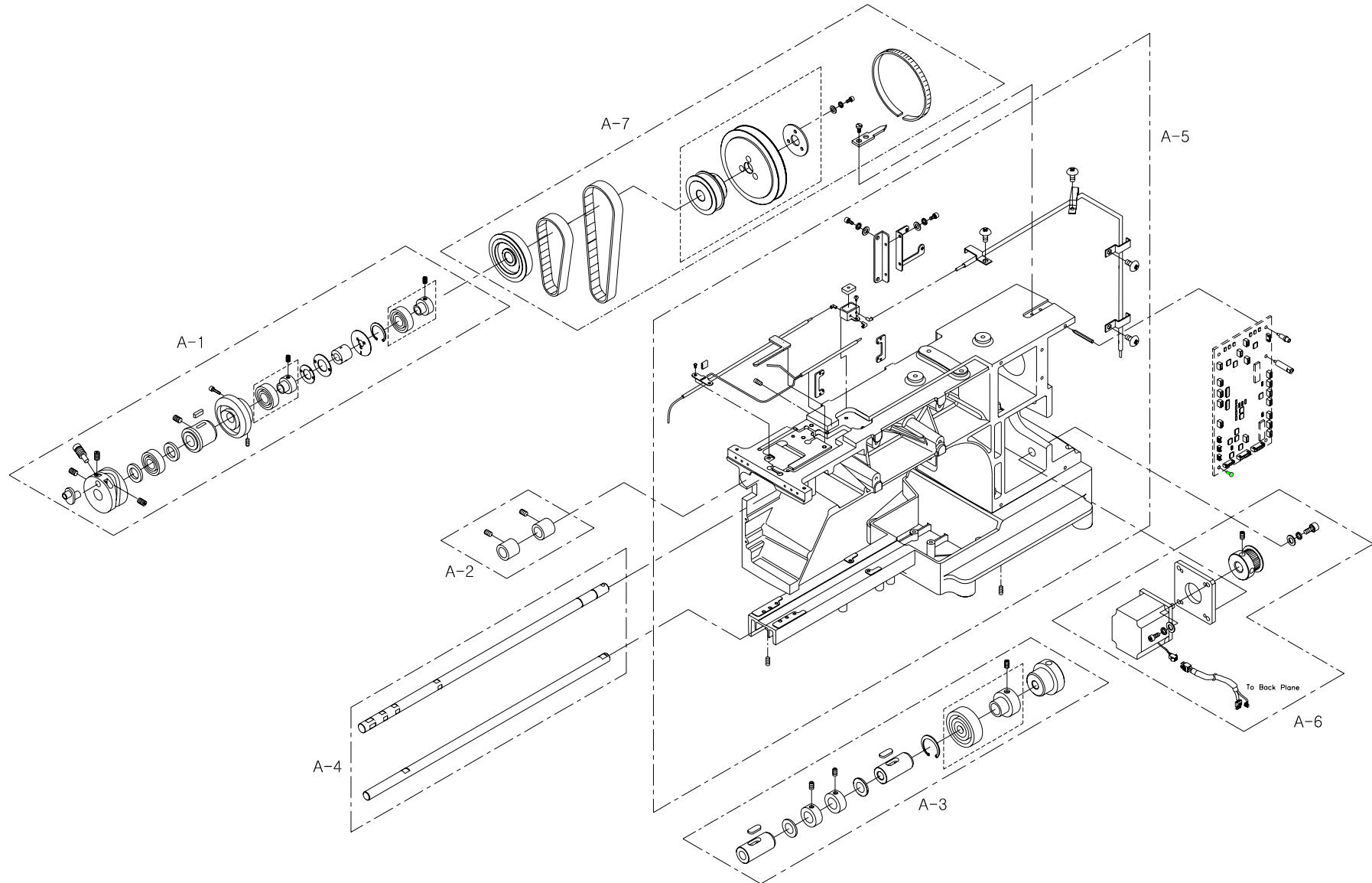




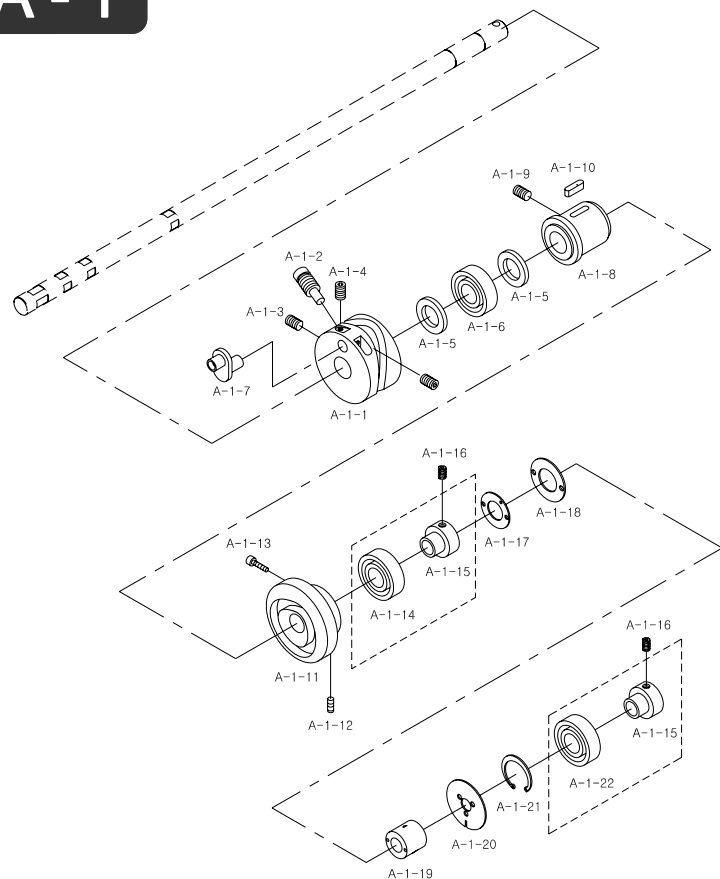
## CONTENT

<b>A</b>	Arm & Bed	10
<b>B</b>	Body & Base	18
<b>C</b>	Arm Ass'y	23
<b>D</b>	Thread Cutting Set	28
<b>E</b>	Head & Color Change	31
<b>F</b>	X- Axis Drive Set	35
<b>G1</b>	Setting 1	40
<b>G2</b>	Setting 2	43
<b>H</b>	Operation Unit & Main Controller	46
<b>I</b>	Thread Tension Unit	52
<b>J</b>	Spool	55
<b>K</b>	Cover	58
<b>L</b>	Index	61

## Arm & Bed



# A-1



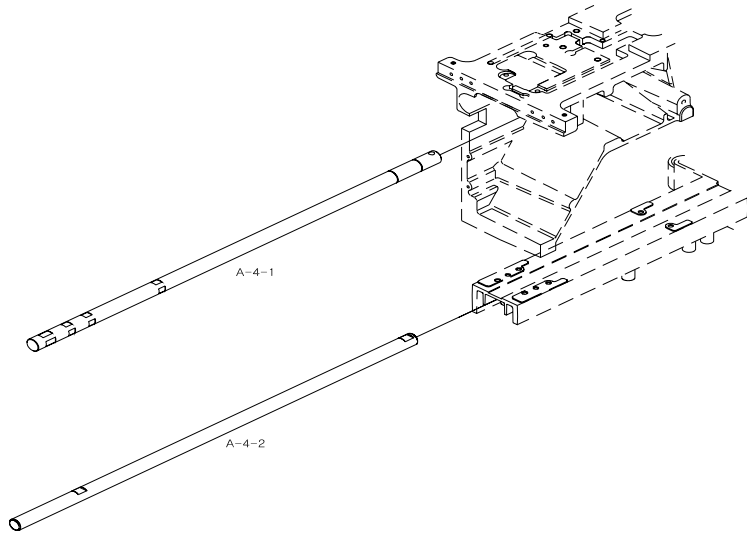
Note

Ref.No	Part No.	Part Name	Applied Period	Interchangeability	Hardware	Qty	Remark
A-1-1	01016CM-T902	Take-up Lever Driving Cam	~ Oct.08.07	X		1	
	GP-033421-00	Take-up Lever Driving Cam	Oct.09.07 ~	X		1	
A-1-2	01017CW-T121	Cam Screw (9/32N=28L=17)				1	
A-1-3	01018SC-4515	Screw (15/64"N=28 L=7.5)			O	1	
A-1-4	01019SC-4515	Hex. Socket Set Screw (1/4" N=40 L=4.5)				1	
A-1-5	08028BR-A001	Thrust washer (AS 1528)				2	
A-1-6	08027BR-A001	Thrust Bearing (NTB 1528)				1	
A-1-7	01020FH-T902	Needle Bar Crank				1	
A-1-8	01012MP-T121	Upper Shaft Bushing (F)				1	
A-1-9	03004SC-4517	Screw(15/64-28, L=14)			O	3	
A-1-10	01014SF-T121	Felt				1	
A-1-11	03073CM-CT01	Presser Foot Driving Cam				1	
A-1-12	04012AF-A001	Screw(15/64-28)			O	3	
A-1-13	11029SC-4113	Screw(M4*L20)			O	1	
A-1-14	01029BR-A001	Bearing(6004ZZ)				1	
A-1-15	03000900T000	Bearing Collar				2	
A-1-16	04012AF-A001	Screw(15/64-28)			O	3	
A-1-17	WS-000168-00	Washer			O	1	
A-1-18	EP-000200-00	Code Wheel	Sep,27,06 ~			1	
A-1-19	CL-000097-00	Collar				1	
A-1-20	GP-016534-01	Sensing Plate				1	
A-1-21	03010SR-4013	C-Ring(@47)			O	1	
A-1-22	03013BR-T121	Bearing(6204ZZ)			O	1	





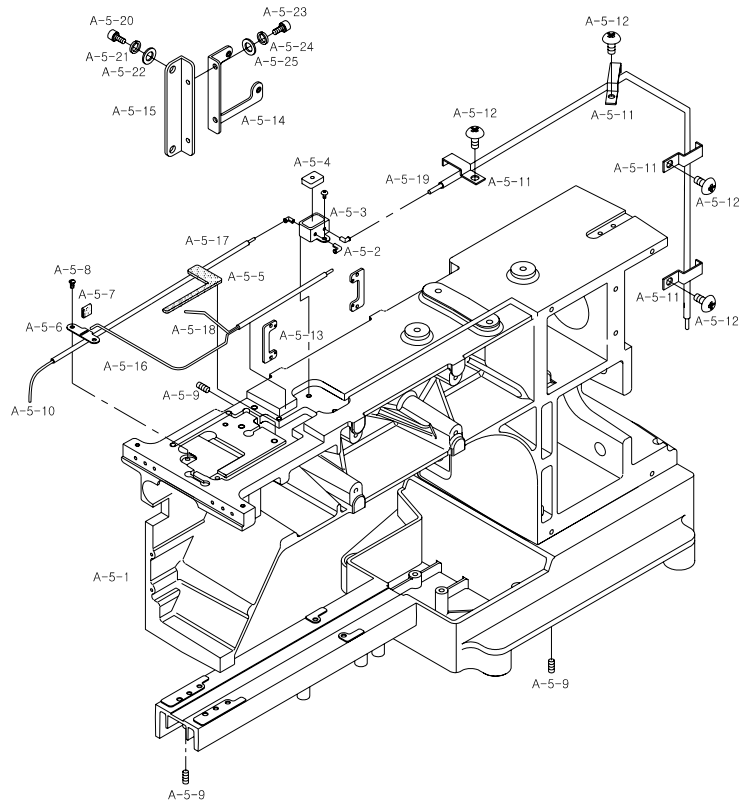
# A - 4



Ref.No	Part No.	Part Name	Applied Period	Interchangeability	Hardware	Qty	Remark
A - 4 - 1	GP - 020397 - 01	Upper Shaft				1	
A - 4 - 2	GP - 020408 - 00	Lower Shaft				1	

Note

# A-5



Note

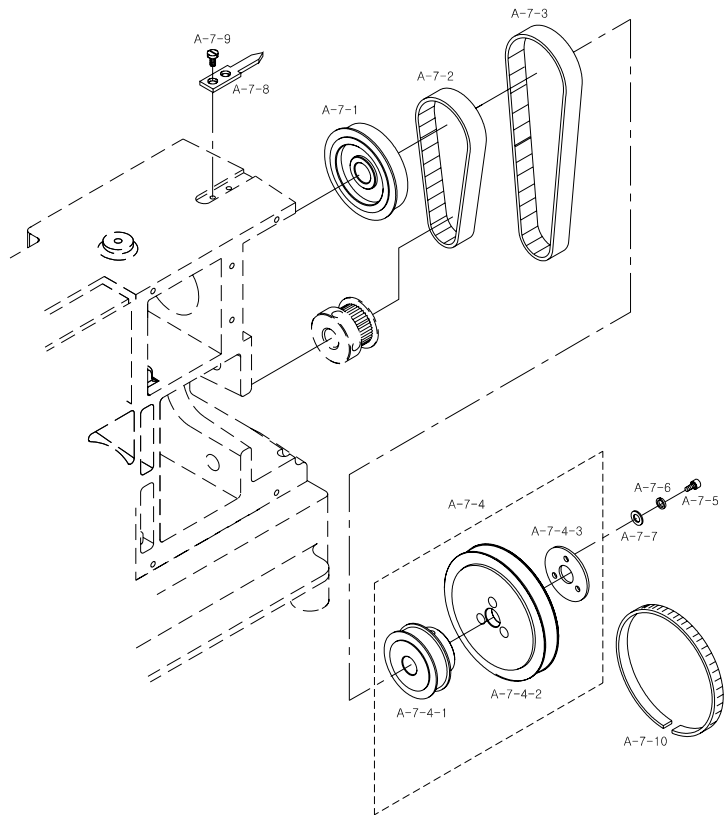
Ref.No	Part No.	Part Name	Applied Period	Interchangeability	Hardware	Qty	Remark
A - 5 - 1	AS - 006057 - 00	Arm, Bed				1	
A - 5 - 2	01002300 T 000	Oil Tube Pin				3	
A - 5 - 3	GP - 026924 - 00	Oil Storing Box	Mar.15.07 ~	X		1	
A - 5 - 4	GP - 026925 - 00	Oil Storing Felt	Mar.15.07 ~	X		2	
A - 5 - 5	32026SF - T 121	Arm Felt				1	
A - 5 - 6	32028PR - T 121	Felt Holder For Crank Rod				1	
A - 5 - 7	32027SF - T 121	Felt For Crank Rod				1	
A - 5 - 8	05041SC - A 001	Screw (9/64" N=40,L6)			O	2	
A - 5 - 9	03004SC - 4517	Screw (15/64" N=28,L=14)			O	3	
A - 5 - 10	32013ET - T 121	Wick (L=200)				2	
A - 5 - 11	32014PR - T 121	Oil Hose Holder				4	
A - 5 - 12	28021SC - 3123	Screw (M4*L8)			O	4	
A - 5 - 13	GP - 016537 - 00	Board Plate A				1	
A - 5 - 14	GP - 020394 - 00	Sensor Braket (A)				1	
A - 5 - 15	GP - 020398 - 00	Sensor Braket (B)				1	
A - 5 - 16	32025ET - T 121	Wick (L=530)				1	
A - 5 - 17	32012ET - T 121	Oil Hose (L=140)				1	
A - 5 - 18	32031ET - T 121	Wick (L=350)				1	
A - 5 - 19	32044ET - T 121	Wick (L=435)				1	
A - 5 - 20	02015SC - 7113	Hex.Scoket Bolt(M4*L10)			O	2	
A - 5 - 21	18014SW - 3115	Spring Washer(@4)			O	2	
A - 5 - 22	18015SW - 3111	Washer(@4)			O	2	
A - 5 - 23	03071SC - 7113	Hex.Scoket Bolt(M3*L10)			O	2	
A - 5 - 24	11019SW - 9115	Spring Washer(@3)			O	2	
A - 5 - 25	06011SW - 2111	Washer(@3)			O	2	

A





# A-7

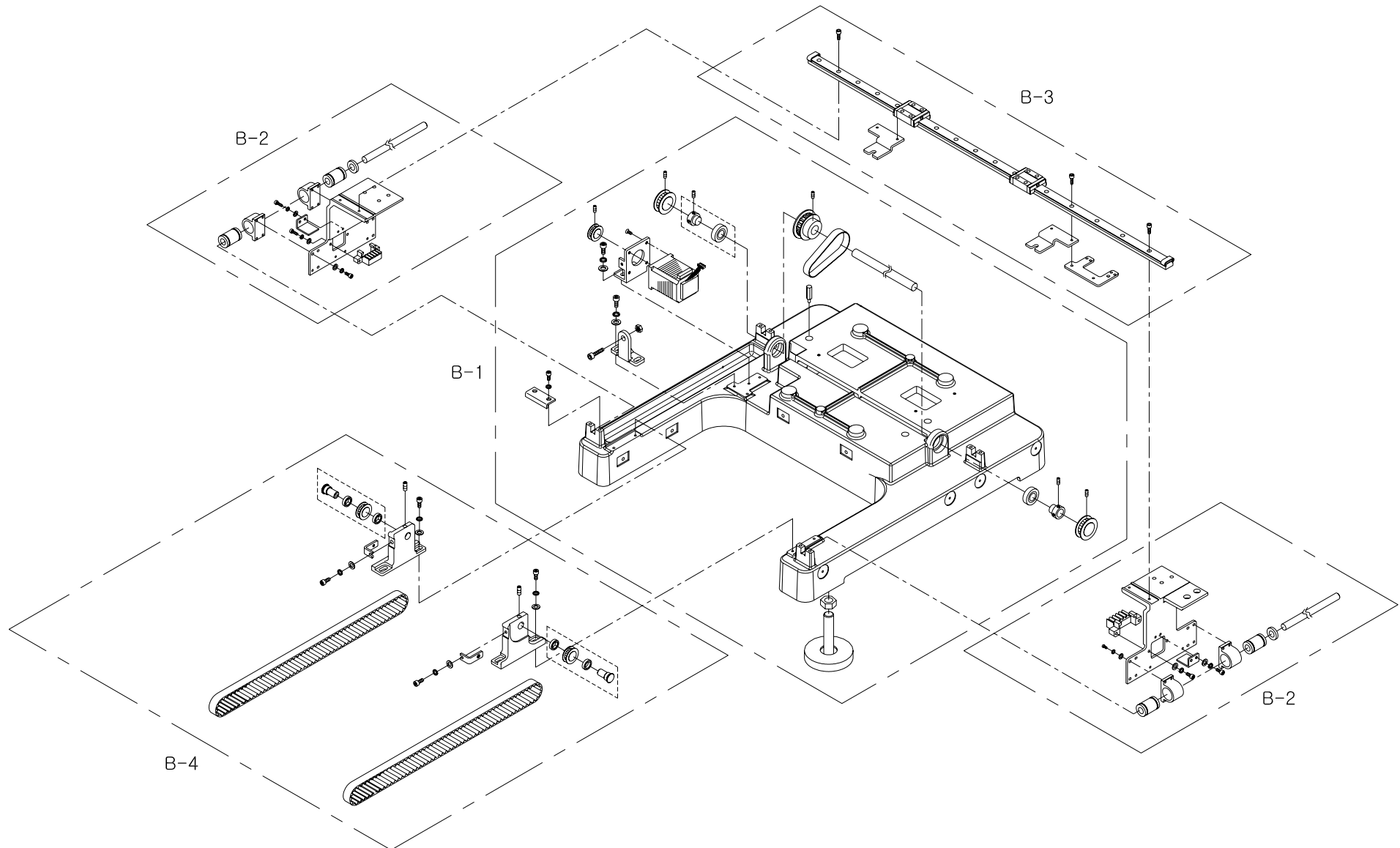


Note

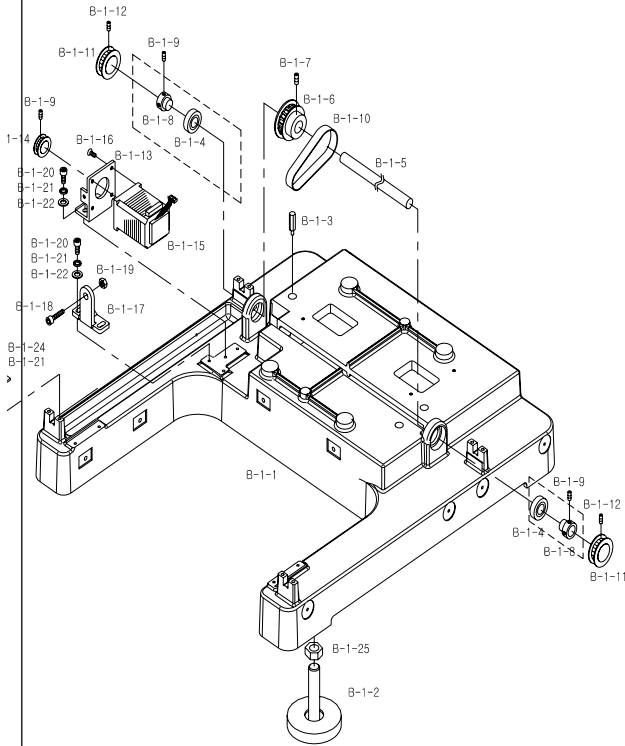
Ref.No	Part No.	Part Name	Applied Period	Interchangeability	Hardware	Qty	Remark
A-7-1	GP-016543-00	Upper Shaft Timing Pulley				1	
A-7-2	BE-000060-00	Timing Belt (10-S5M-525)				1	
A-7-3	BE-000061-00	Timing Belt				1	
A-7-4	AS-007116-00	Upper Shaft Timing Pulley Ass'y				1	
A-7-4-1	GP-026769-00	Upper Shaft Timing Pulley	Feb.25.07 ~ -	X		1	
A-7-4-2	GP-026778-00	Hand Pulley For Upper Shaft	Feb.25.07 ~ -	X		1	
A-7-4-3	GP-026779-00	Cover for Hand Pulley	Feb.25.07 ~ -	X		1	
A-7-5	04010MC-7113	Screw (M4*L10)			O	3	
A-7-6	18014SW-3115	Spring Washer (@4)			O	3	
A-7-7	18015SW-3111	Washer (@5)			O	3	
A-7-8	GP-008572-00	INDIGATOR				1	
A-7-9	02010SC-3123	Screw (M4*L10)				2	
A-7-10	03030ET-T902	Sticker				1	

# A

## Body & Base



# B-1

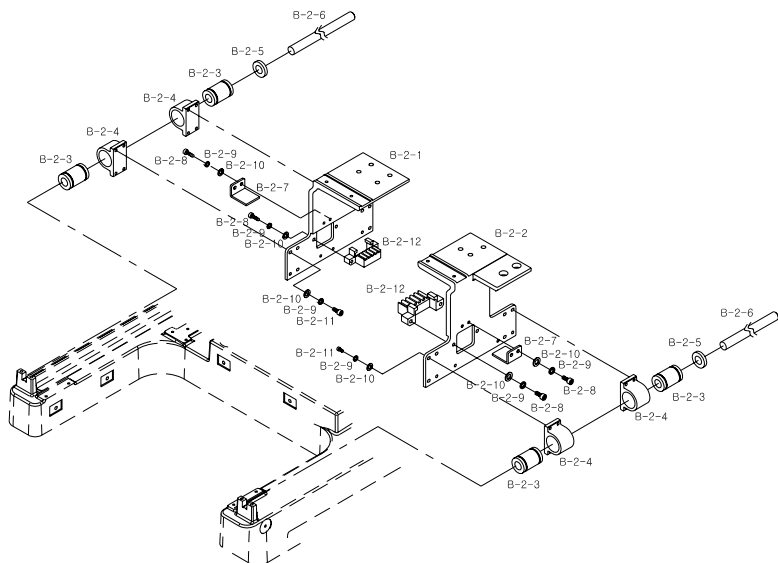


### Note

Ref.No	Part No.	Part Name	Applied Period	Interchangeability	Hardware	Qty	Remark
B-1-1	GP-020463-00	Base	~ May.27.07	O		1	
	GP-020463-01	Base	May.28.07 ~	O		1	
B-1-2	SC-000634-00	Base Support Bolt				4	
B-1-3	GP-021225-01	Fixing Sutd for Cover				2	
B-1-4	13026BR-T121	Bearing (6002Z)			O	2	
B-1-5	GP-020402-00	Y-Driving Shaft				1	
B-1-6	GP-020470-00	Y-Driven Pulley				1	
B-1-7	03022SC-4517	Hex.Socket Set Screw(M4*L5)			O	4	
B-1-8	03002700T000	Bearing Collar				2	
B-1-9	04012AF-A001	Hex.Socket Set Screw 15/64-28(606255)			O	6	
B-1-10	BE-000069-00	Y-Driving Motor Belt				1	
B-1-11	GP-020403-01	Y-Driving Pulley				2	
B-1-12	07009SC-4517	Hex.Socket Set Screw(M5*L6)			O	8	
B-1-13	GP-020479-00	Y-Motor Bracket	~ May.27.07	O		1	
	GP-020479-01	Y-Motor Bracket	May.28.07 ~	O		1	
B-1-14	GP-020472-01	Y-Driven Pulley				1	
B-1-15	STMO1-000004	Y-Motor				1	
B-1-16	13061SC-8119	Screw(M3*L10)			O	4	
B-1-17	GP-020471-00	Y-Motor Tension Adjusting Bracket				1	
B-1-18	15030SC-7113	Hex.Socket Bolt(M5*L30)				3	
B-1-19	18083SN-3211	Nut(M5)			O	22	
B-1-20	04010MC-7113	Hex.Socket Bolt(M4*L10)			O	4	
B-1-21	18014SW-3115	Spring Washer(@4)			O	10	
B-1-22	18015SW-3111	Washer(@4)			O	4	
B-1-23	GP-016584-00	Y-Guide Shaft Stopper				4	
B-1-24	16067CW-CT01	Screw for Y-Guide Shaft Stopper			O	4	
B-1-25	14033SN-8211	Nut(M12)			O	4	

B

# B-2



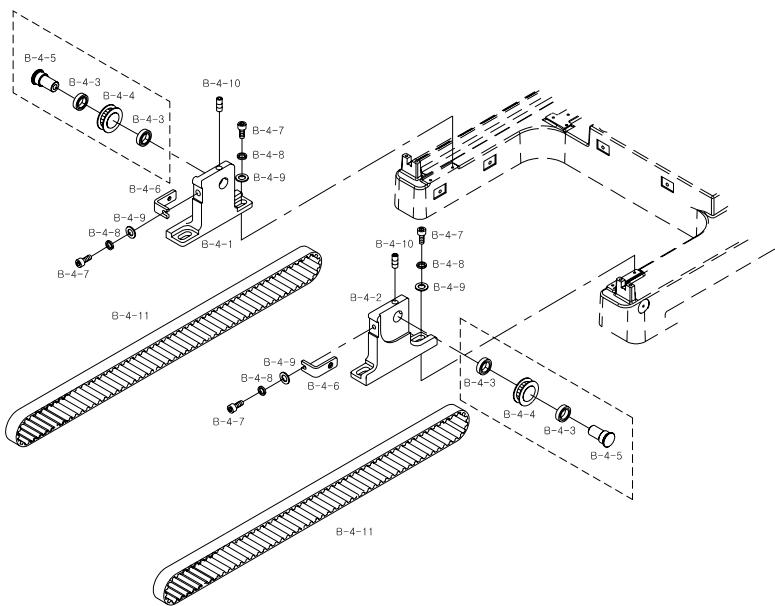
Note

Ref.No	Part No.	Part Name	Applied Period	Interchangeability	Hardware	Qty	Remark
B-2-1	GP-020400-01	Y-Connecting Bracket(L)	~ Mar.06.07	○		1	
	GP-020400-02	Y-Connecting Bracket(L)	Mar.07.07 ~	○		1	
B-2-2	GP-020401-01	Y-Connecting Bracket(R)	~ Mar.06.07	○		1	
	GP-020401-02	Y-Connecting Bracket(R)	Mar.07.07 ~	○		1	
B-2-3	BR-000102-00	Y-Driving Bearing			○	4	
B-2-4	GP-016770-01	Y-Bearing Case				4	
B-2-5	GP-016585-00	Y-Driving Stopper				4	
B-2-6	GP-016583-00	Y-Guide Shaft				2	
B-2-7	GP-020399-02	Y-Belt Presser Guide	~ Mar.08.07	○		2	
	GP-020399-03	Y-Belt Presser Guide	Mar.09.07 ~	○		2	
B-2-8	04010MC-7113	Hex.Socket Bolt(M4*L10)			○	8	
B-2-9	18014SW-3115	Spring Washer(@4)			○	24	
B-2-10	18015SW-3111	Washer(@4)			○	24	
B-2-11	13020SC-7113	Screw(M3*L8)			○	24	
B-2-12	GP-020469-01	Y-Belt Presser				2	

B



# B - 4

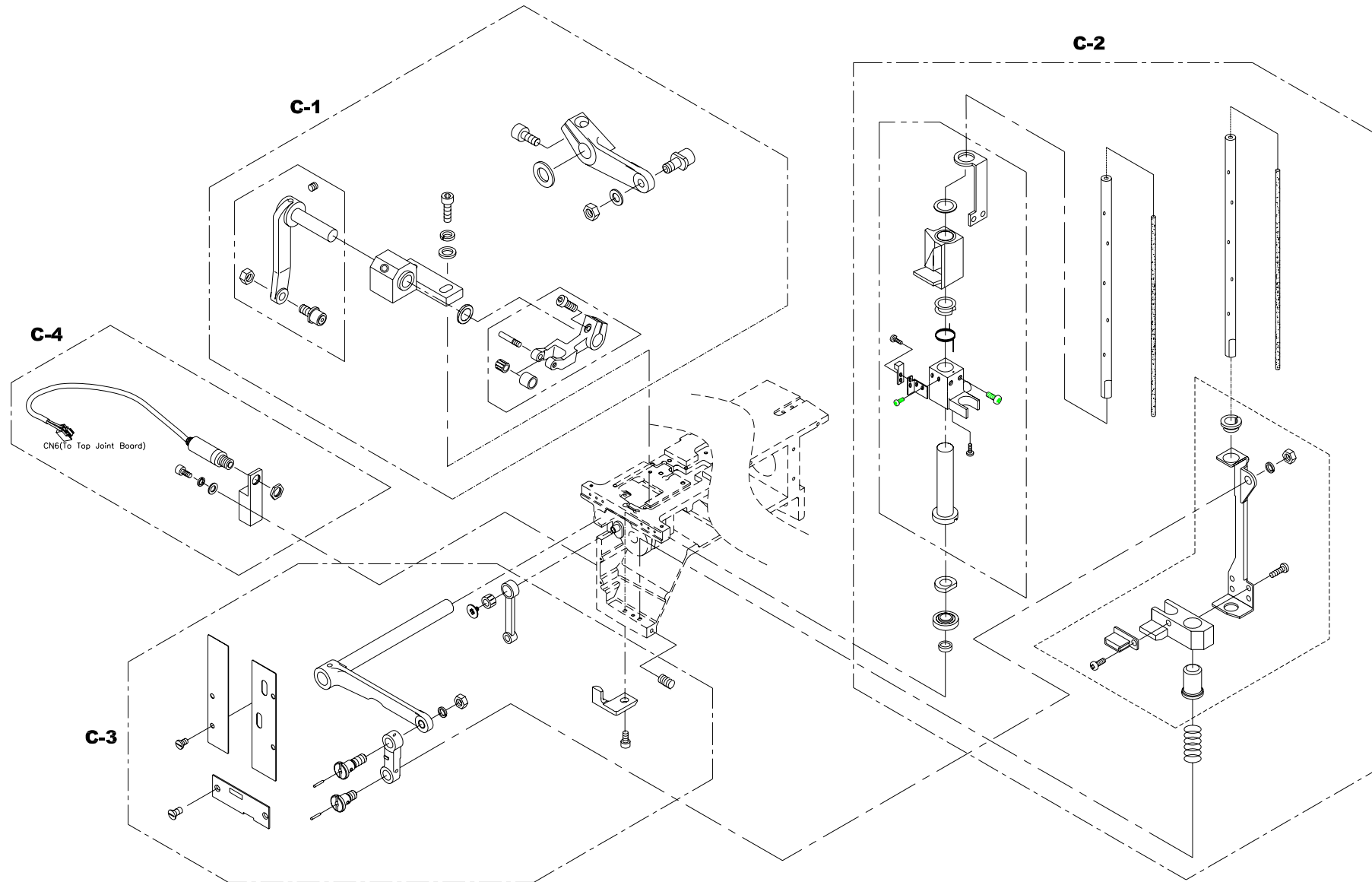


Ref.No	Part No.	Part Name	Applied Period	Interchangeability	Hardware	Qty	Remark
B - 4 - 1	GP - 016589 - 01	Y - Driven Pulley Bracket(L)		O		1	
	GP - 016589 - 02	Y - Driven Pulley Bracket(L)		O		1	
B - 4 - 2	GP - 016590 - 01	Y - Driven Pulley Bracket(R)		O		1	
	GP - 016590 - 02	Y - Driven Pulley Bracket(R)		O		1	
B - 4 - 3	15106BR - A001	Bearing (LF 1280ZZ)			O	4	
B - 4 - 4	GP - 020406 - 00	Y - Driven Pulley				2	
B - 4 - 5	GP - 020407 - 01	Y - Driven Pulley Shaft				2	
B - 4 - 6	GP - 020405 - 00	Y - Driven Shaft Holder				2	
B - 4 - 7	04010MC - 7113	Hex.Socket Bolt(M4*L10)			O	6	
B - 4 - 8	18014SW - 3115	Spring Washer(@4)			O	6	
B - 4 - 9	18015SW - 3111	Washer(@4)			O	6	
B - 4 - 10	09005SC - 3123	Hex.Socket Set Screw(M3*L6)			O	2	
B - 4 - 11	BE - 000070 - 00	Y - Driving Belt				2	

B

Note

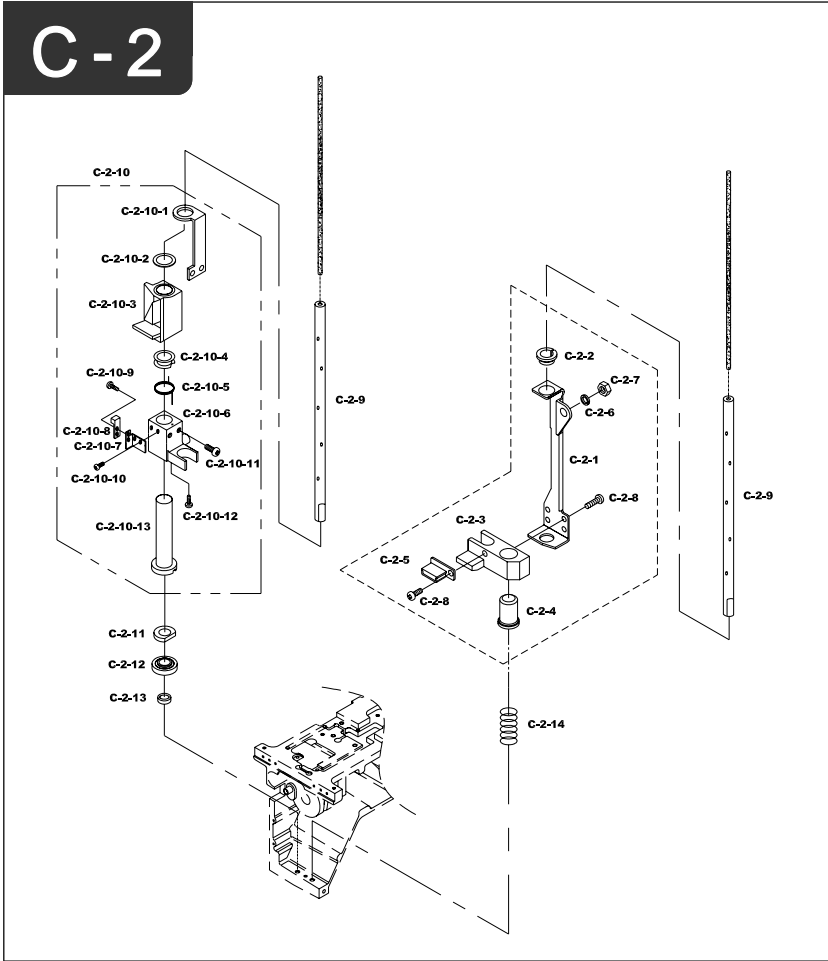
## Arm Ass'y







# C-2

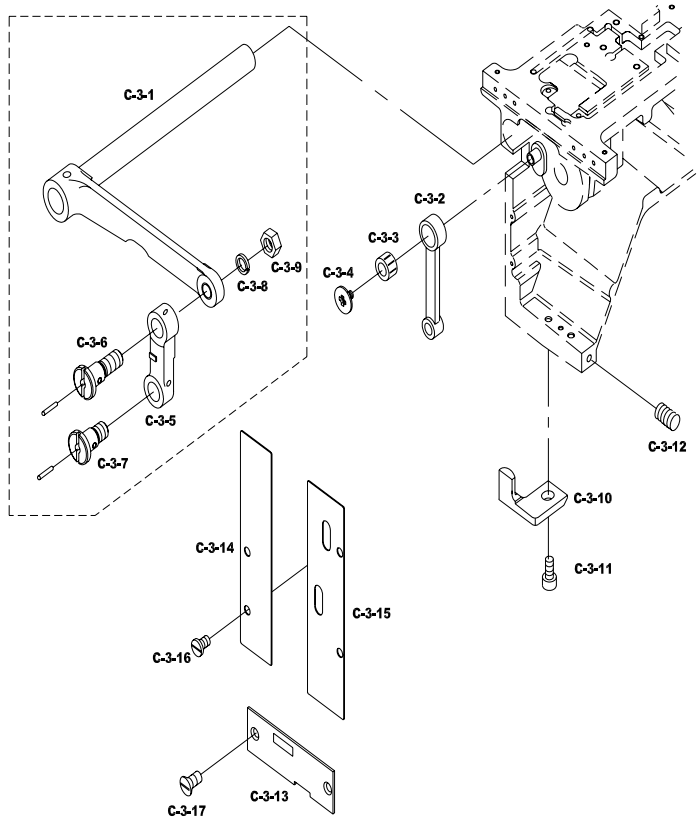


Note

Ref.No	Part No.	Part Name	Applied Period	Interchangeability	Hardware	Qty	Remark
C-2-1	03090PR-CT01	Foot Reciprocator Bracket				1	
C-2-2	03091PM-CT01	Foot Reciprocator Bracket B/S				1	
C-2-3	03092AD-CT01	Presser Foot Reciprocator				1	
C-2-4	03093CW-CT01	Presser Foot Reciprocator B/S				1	
C-2-5	03095RB-CT01	Presser Foot Stopper				1	
C-2-6	18048SW-3115	Spring Washer(M5)			O	1	
C-2-7	12010SN-1211	Nut(M5)			O	1	
C-2-8	08006SC-8118	Plus Screw (M3*L5)			O	5	
C-2-9	03204100A000	Needle Bar Driving Shaft				2	
C-2-10	03040BM-CT01	Needle Bar Reciprocator Set				1	
C-2-10-1	03041PR-CT01	Driver Link Plate				1	
C-2-10-2	03048SW-B001	Reciprocator Washer				1	
C-2-10-3	GP-018374-00	Needle Bar Reciprocator				1	
C-2-10-4	03046CW-B001	Jump Spring Guide				1	
C-2-10-5	03043SP-CT01	Jump Spring				1	
C-2-10-6	03038FH-CT01	Needlebar Driving Shaft Driver				1	
C-2-10-7	03045PR-CT01	Stopper Bracket				1	
C-2-10-8	03047PM-CT01	Reciprocator Stopper				1	
C-2-10-9	03046SC-8118	Plus Screw (M2.6*L4)			O	2	
C-2-10-10	SC-000517-00	Plus Screw (M3*L5)			O	2	
C-2-10-11	06010SC-8118	Plus Screw (M3*L4)			O	2	
C-2-10-12	03006MC-3123	Truss Ssrew (M3*L6)			O	1	
C-2-10-13	03103900C000	Needle Bar Driving Shaft Bush				1	
C-2-11	03042SF-T121	Felt "A"				1	
C-2-12	03051BR-A001	Ball Bearing 689 (Ntn)			O	1	
C-2-13	03004400A000	Needle Bar Drive Bearing Bush				1	
C-2-14	03099SP-CT01	Presser Foot Return Spring				1	



# C-3



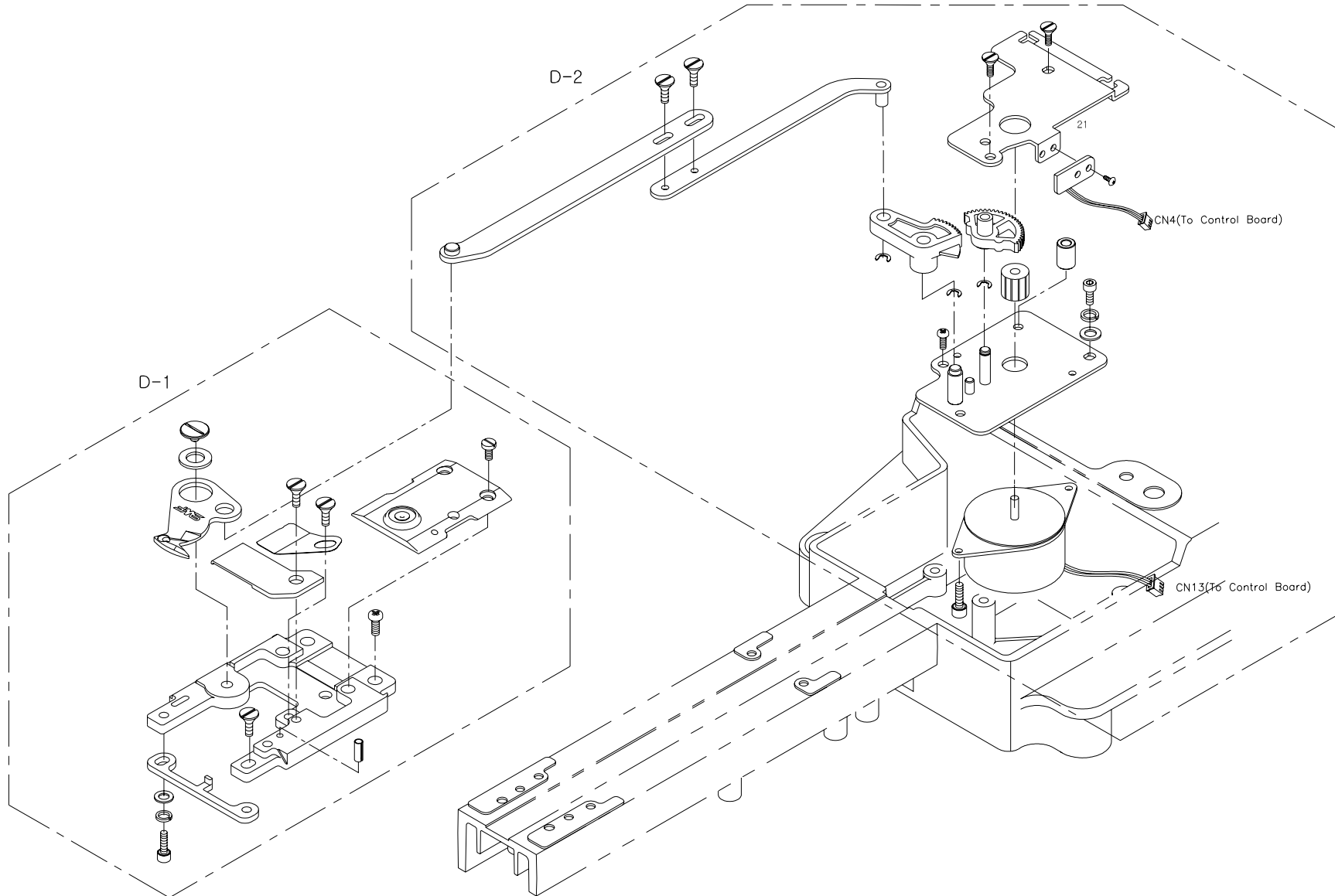
Note

Ref.No	Part No.	Part Name	Applied Period	Interchangeability	Hardware	Qty	Remark
C-3-1	03083FH-CT01	Presser Foot Driving Lever (L)				1	
C-3-2	01021FH-T121	Crank Rod				1	
C-3-3	01022BR-T121	Needle Bearing (KT8128)				1	
C-3-4	01023CW-T121	Screw9/64"N=40				1	
C-3-5	03008500C000	Foot Driving Connecting Link				1	
C-3-6	03086SC-CT01	Connecting Link Stud Screw A				1	
C-3-7	03087SC-CT01	Connecting Link Stud Screw B				1	
C-3-8	18048SW-3115	Spring Washer(M5)			O	1	
C-3-9	12010SN-1211	Nut(M5)			O	1	
C-3-10	03056CL-B001	Reciprocator Stopper				1	
C-3-11	03057SC-T121	Plus Screw (11/64,40,L12)			O	1	
C-3-12	04012AF-A001	Screw 15/64-28(606255)			O	2	
C-3-13	GP-002448-00	Guide Plate For Needle Bar Driving Shaft				1	
C-3-14	GP-002446-00	Arm Front Cover (L)				1	
C-3-15	GP-008505-00	Arm Front Cover (R)				1	
C-3-16	03065SC-A001	Pront Cover Screw				4	
C-3-17	05062SC-A001	Guide Plate Screw				4	

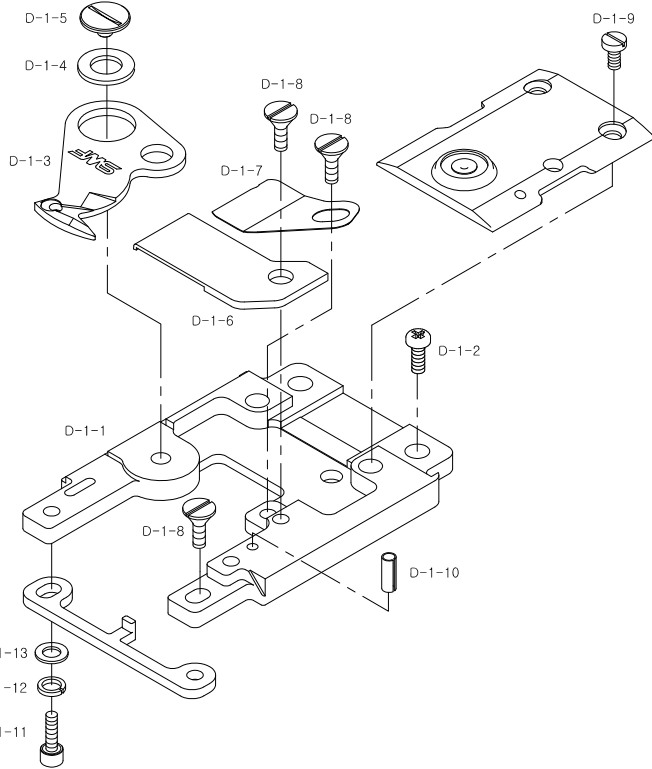
C



## Thread Cutting Set



# D-1

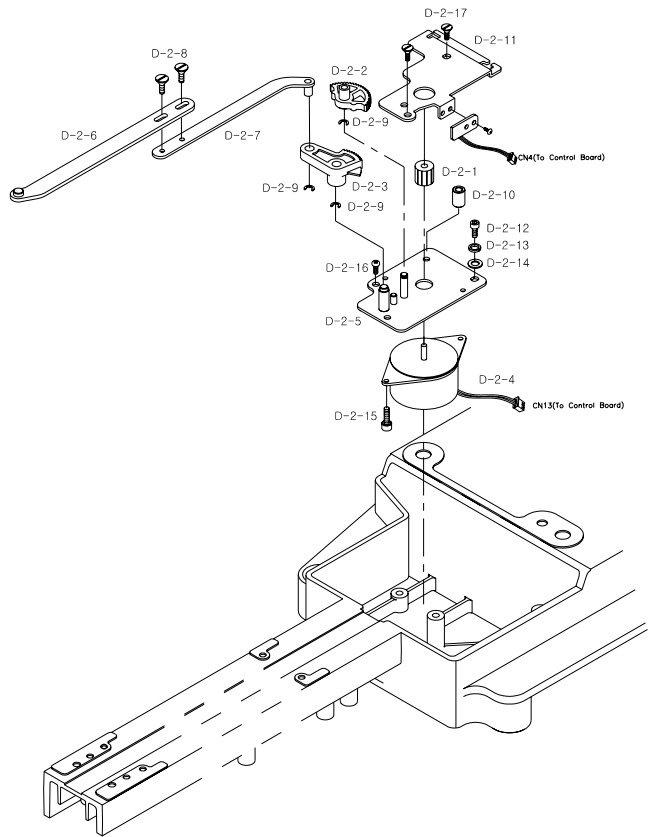


Note

Ref.No	Part No.	Part Name	Applied Period	Interchangeability	Hardware	Qty	Remark
D-1-1	GP-020504-01	Needle Plate Bracket	~ Jan.02.08	O		1	
	GP-020504-02	Needle Plate Bracket	Jan.03.08 ~	O		1	
D-1-2	17012SC-8329	Screw (M4*L16)			O	2	
	GP-016504-00	Moving Mes				1	
D-1-3	GP-016504-01	Moving Mes	~ Feb.25.08			1	
	GP-016504-02	Moving Mes	Feb.26.08 ~			1	
D-1-4	WS-000167-00	Washer For Moving Mes	Mar,21,06 ~	'X		1	
	WS-000167-01	Washer For Moving Mes	Jan,14,09 ~				
D-1-5	SC-000534-00	Stud Screw For Moving Mes				1	
D-1-6	GP-020500-00	Fixing Mes		O		1	
	GP-020500-01	Fixing Mes	*	O		1	
	GP-020500-02	Fixing Mes	Jan.03.08 ~ Feb.25.08	O		1	
	GP-020500-03	Fixing Mes	Feb.26.08 ~	O		1	
D-1-6	GP-020500-03	Fixing Mes				1	
D-1-7	GP-016508-00	Lower Thread Hoder				1	
D-1-8	SC-000107-00	Stud Screw For Fixing Mes				3	
D-1-9	04004AF-A001	Screw For Needle Plate				2	
D-1-10	PN-000255-00	Spring Pin				2	
D-1-11	13020SC-7113	Screw(M3*L8)			O	2	
D-1-12	11019SW-9115	Spring Washer(@3)			O	2	
D-1-13	06011SW-2111	Washer(@3)			O	2	

D

# D-2

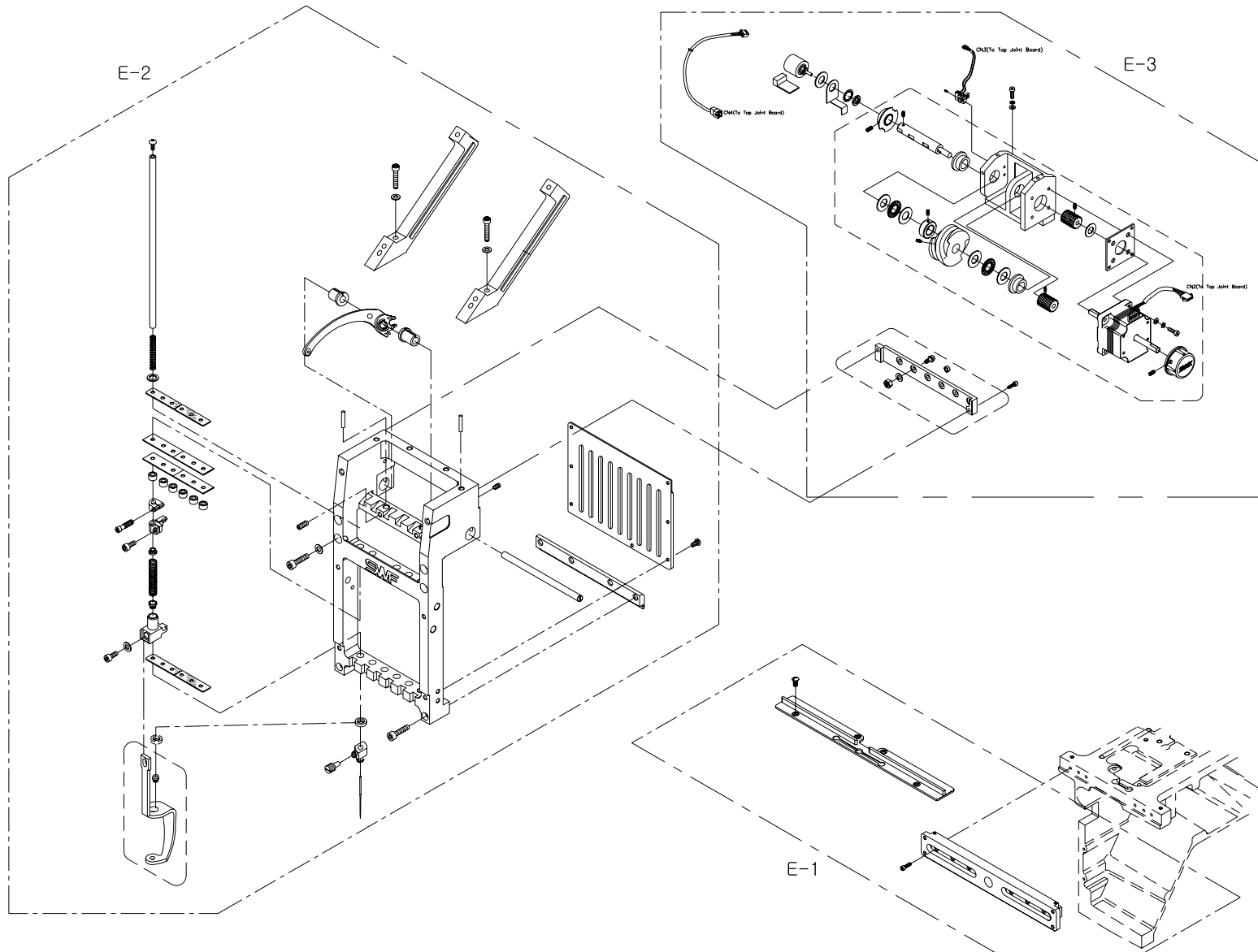
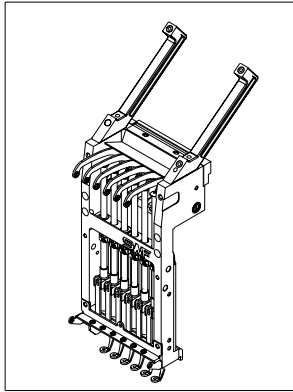


Note

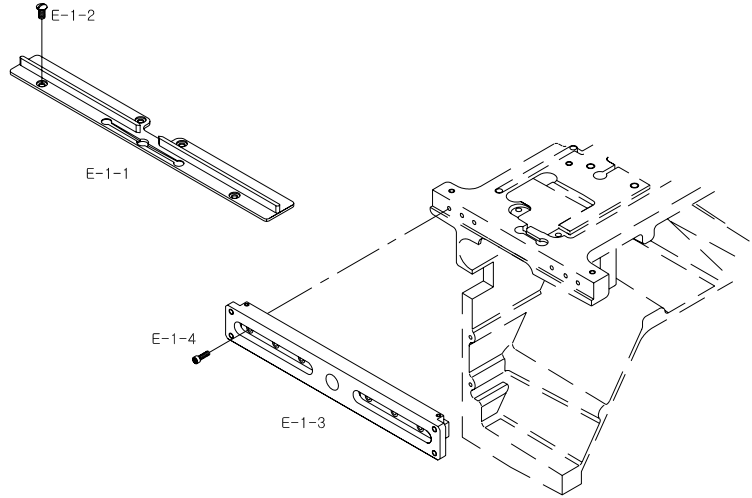
Ref.No	Part No.	Part Name	Applied Period	Interchangeability	Hardware	Qty	Remark
D-2-1	GP-016574-00	Thread Gear				1	
D-2-2	GP-016575-00	Thread Gear				1	
D-2-3	GP-016735-00	Thread Gear				1	
D-2-4	CA-002339-00	Thread Cutting Motor Connector				1	
D-2-5	GP-016507-00	Thread Base Ass'y				1	
D-2-6	GP-020502-01	Moving Mes Connecting Link(A)				1	
D-2-7	GP-016502-00	Moving Mes Connecting Link(B)				1	
D-2-8	SC-000107-00	Stud Screw For Fixing Mes				2	
D-2-9	15159SR-4013	E-Ring			O	3	
D-2-10	GP-016505-00	Thread Base Cover Stud				2	
D-2-11	GP-020501-00	Thread Base Cover				1	
D-2-12	04010MC-7113	Screw(M4*L10)			O	2	
D-2-13	18014SW-3115	Spring Washer(@4)			O	2	
D-2-14	18015SW-3111	Washer(@4)			O	2	
D-2-15	05007SC-7113	Hex.Socket Bolt(M3*L5)			O	2	
D-2-16	02010SC-3123	Truss Screw(M4*L8)			O	1	
D-2-17	SC-000664-00	Screw(M4*L20)			O	2	

D

## Head & Color Change



# E-1

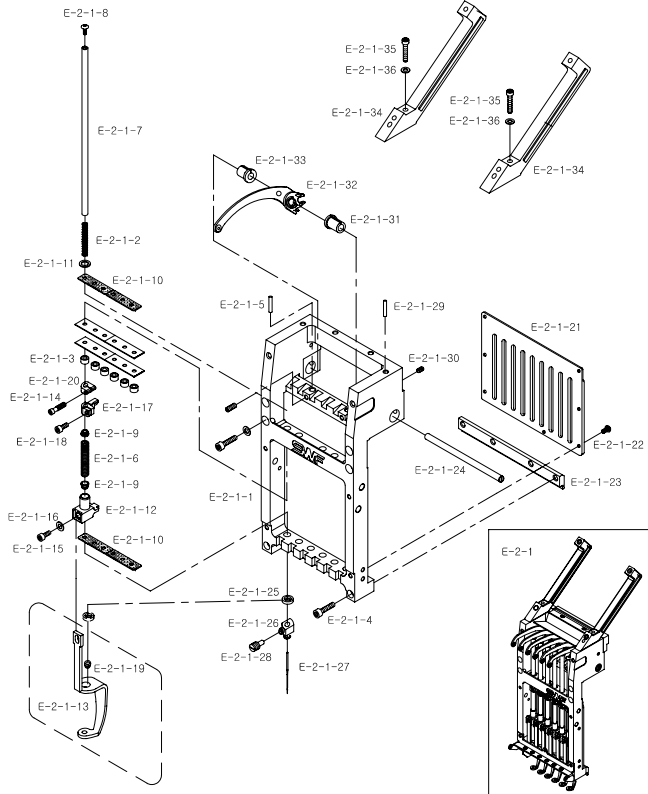


Note

Ref.No	Part No.	Part Name	Applied Period	Interchangeability	Hardware	Qty	Remark
E-1-1	07000101 T902	Take-Up Guide Rail (L189)				1	
E-1-2	05041SC-A001	Guide Rail Screw (9/64" N=40)				4	
E-1-3	03064LM-T902	LM Guide Block Set (6C)				1	
E-1-4	03071SC-A001	Hex.Socket Bolt (M3*L15)			O	6	



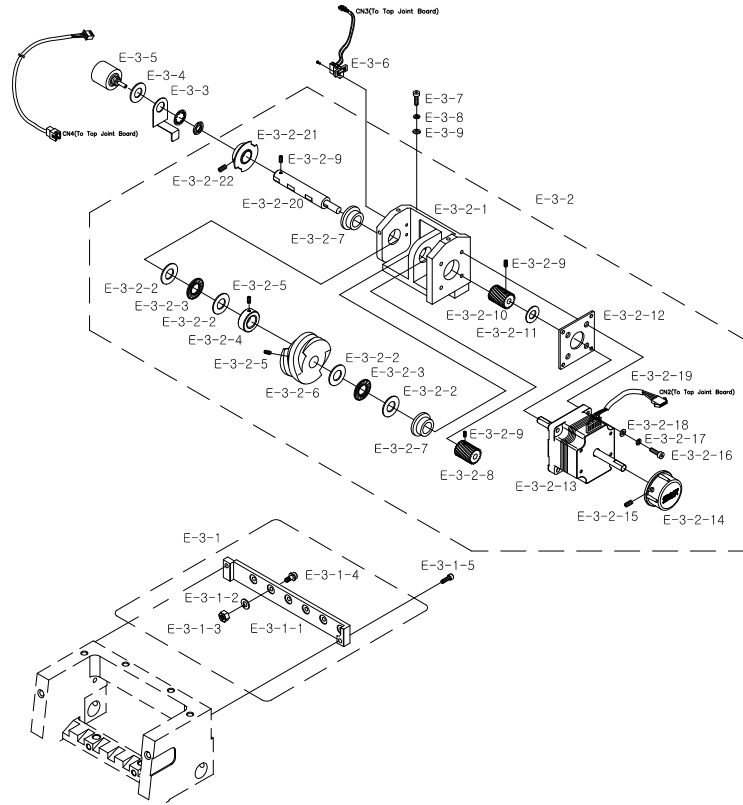
# E-2



## Note

Ref.No	Part No.	Part Name	Applied Period	Interchangeability	Hardware	Qty	Remark
E-2-1	AS-004322-00	Head Set				1	
E-2-1-1	GP-015101-00	Head	Feb,09,06 ~			1	
	GP-015101-01		Mar,26,07 ~				
	GP-015101-02		Sep,17,08 ~				
	GP-015101-03		Nov,03,08 ~				
	GP-015101-04		Nov,02,09 ~				
E-2-1-2	05008AF-T121	Needle Bar Return Spring				6	
E-2-1-3	05011RB-T121	Needle Bar Cushion Rubber				6	
E-2-1-4	05014SC-7113	Screw (M4*L25)			O	2	
E-2-1-5	05015CW-A001	Head Base Pin(@5*L15)				2	
E-2-1-6	05017AF-T121	Presser Foot Pressure Spring				6	
E-2-1-7	05018CW-T902	Needle Bar				6	
E-2-1-8	05019SC-A001	Needle Bar Cover Screw (M5*L6)			O	6	
E-2-1-9	05021PM-H001	Presser Foot Spring Guide				12	
E-2-1-10	05021SF-A001	Felt				4	
E-2-1-11	05022SW-A001	Spring Shoe Washer				6	
E-2-1-12	05023PM-H001	Presser Foot Holder Set				6	
E-2-1-13	05024PR-T902	Presser Foot L=95				6	
E-2-1-14	05026SC-4113	Upper Dead Center Stopper Screw				6	
E-2-1-15	05026SC-H001	Presser Foot Holder Screw				6	
E-2-1-16	05027PR-H001	Presser Foot Holder Washer				6	
E-2-1-17	05027FU-T902	Needle Bar Holder				6	
E-2-1-18	05028SC-4113	Holder Screw				6	
E-2-1-19	05031AF-A001	Presser Foot Guide Bush				6	
E-2-1-20	11101200T000	Upper Dead Point Stopper				6	
E-2-1-21	05031PM-CT06	Needle Bar Guide Rail (6C)				1	
E-2-1-22	05041SC-A001	Guide Rail Serew (9/64",n=40)			O	7	
E-2-1-23	08201302T902	Head Rail (6C)				1	
E-2-1-24	08200602A000	Take-Up Lever Shaft (6C)				1	
E-2-1-25	05035RB-A001	Presser Foot Cushion Rubber*A				6	
E-2-1-26	AS-007679-00	Needle Fixed Holder				6	
E-2-1-27	05037DB-A001	Needle (DB-K5,#11)				6	
E-2-1-28	05363SC-A001	Needle Fixed Screw (A/S)				6	
E-2-1-29	11027CW-A001	Tension Plate Pin (@3.5*L10)			O	2	
E-2-1-30	07009SC-4517	Hex.Socket Set Screw (M5*L6)			O	2	
E-2-1-31	08200800A000	Take-Up Lever Shaft Bush (R)				1	
E-2-1-32	07005BM-B002	Take-Up Lever Set				6	
E-2-1-33	08203000A000	Take-Up Lever Shaft Bush (L)				1	
E-2-1-34	GP-004682-00	Tension Adjusting Plate Holder				2	
E-2-1-35	11029SC-7113	Serew(M4*L20)			O	2	
E-2-1-36	06003SW-2111	Washer (@4)			O	2	

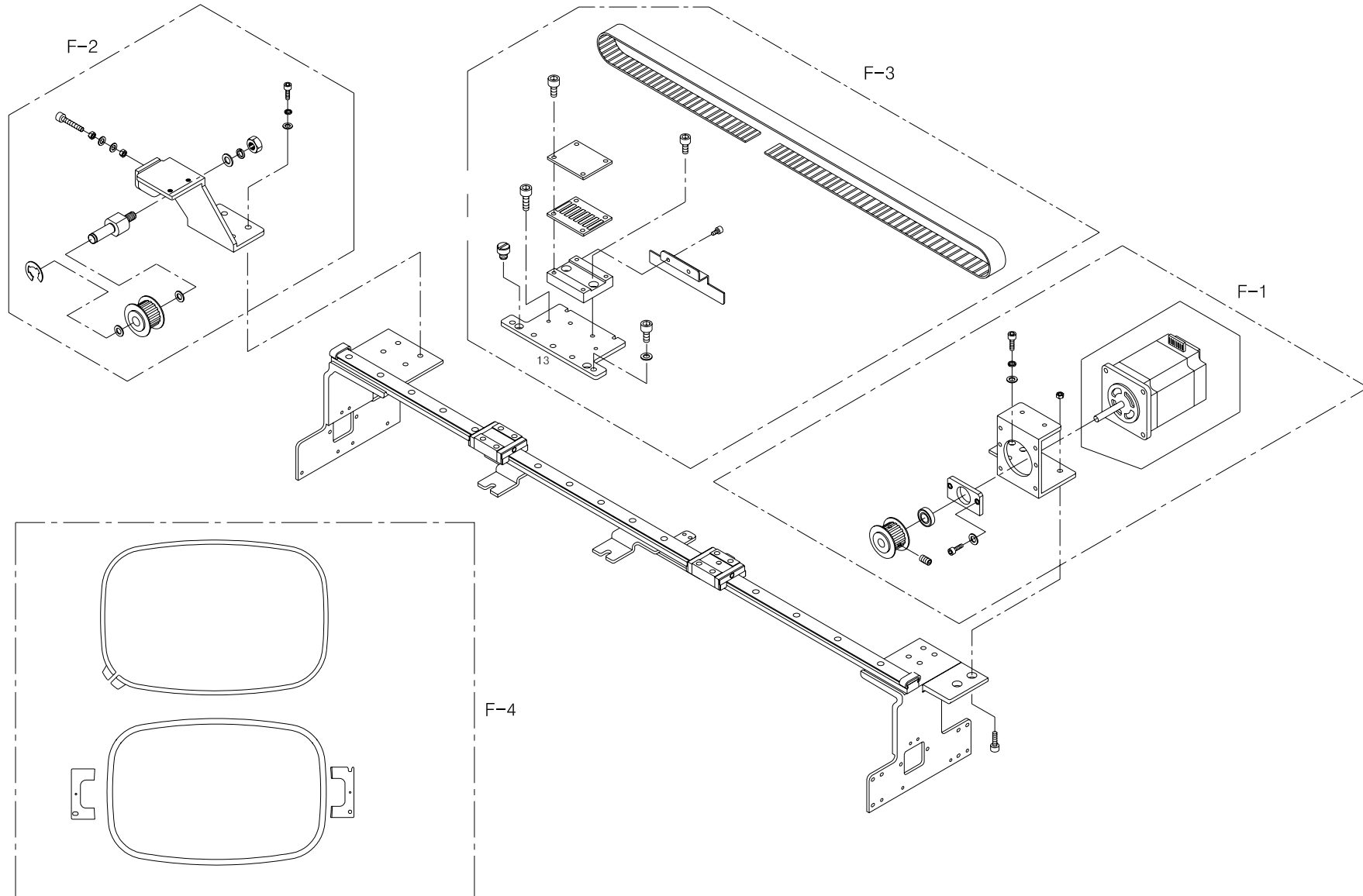
# E-3



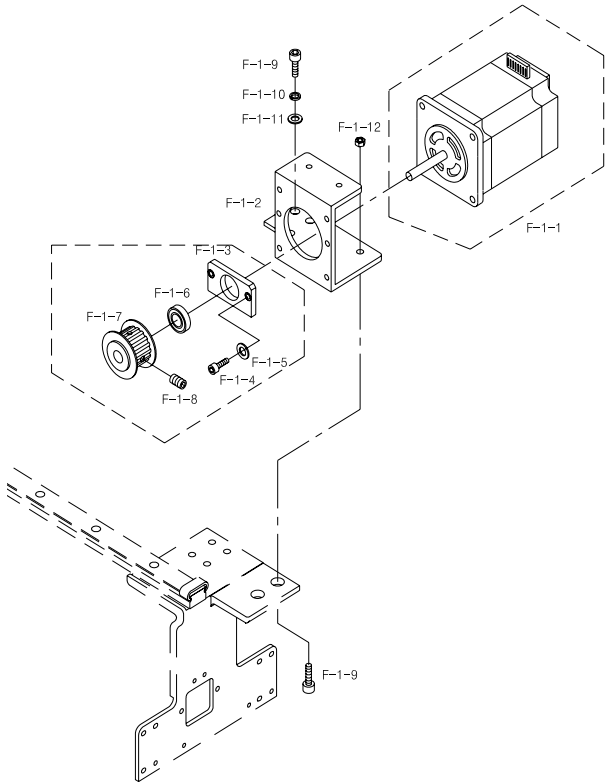
## Note

Ref.No	Part No.	Part Name	Applied Period	Interchangeability	Hardware	Qty	Remark
E-3-1	05000002U000	C/C Roller Base Set				1	
E-3-1-1	08103102C010	Color Change Roller Base				1	
E-3-1-2	18048SW-3115	Spring Washer (5@)			O	6	
E-3-1-3	18083SN-3211	Hex.Nut (M5)			O	6	
E-3-1-4	GP-037692-00	Color Change Roller				6	
E-3-1-5	08076SC-7113	Screw (M5*L12)			O	2	
E-3-2	AS-005420-00	Color Change Motor Set				1	
E-3-2-1	GP-016511-00	Color Change Base	Mar,21,06 ~	X		1	
	GP-016511-01		Jan,13,09 ~				
	GP-016511-02		Nov,13,09 ~				
E-3-2-2	13010BR-T121	Washer				4	
E-3-2-3	13041BR-UK01	Washer				2	
E-3-2-4	08101100T010	Color Change Collar				1	
E-3-2-5	04012AF-A001	Screw (15/64-N28)			O	4	
E-3-2-6	13005CM-UK06	Color Change Cam				1	
E-3-2-7	GP-006252-00	Color Change Bushing				2	
E-3-2-8	08104900T902	Color Change Gear				1	
E-3-2-9	08113SC-A001	Screw (11/64,N=40,L6)			O	5	
E-3-2-10	GP-016811-00	Color Change Gear (L)				1	
E-3-2-11	08102000T010	Color Change Motor Washer				2	
E-3-2-12	GP-017091-01	Color Change Motor Plate				1	
E-3-2-13	MO-000041-00	Color Change Motor				1	
E-3-2-14	GP-016809-00	Color Change Passivity Knob Ass'y				1	
E-3-2-15	03022SC-4517	Hex. Socket Set Screw(M4*L5)			O	2	
E-3-2-16	07016SC-7113	Hex.Socket Bolt (M4*L12)			O	4	
E-3-2-17	18014SW-3115	Spring Washer (@4)			O	4	
E-3-2-18	18015SW-3111	Washer (@4)			O	4	
E-3-2-19	CA-002344-00	Cable				1	
E-3-2-20	08100700T902	Color Change Shaft				1	
E-3-2-21	13032AD-UK06	Color Change Film Set			O	1	
E-3-2-22	04014SC-4517	Screw (M5*L5)			O	2	
E-3-3	13015PR-UK06	Potentiometer Bracket				1	
E-3-4	15014PR-T121	Potentiometer Washer				1	
E-3-5	15012MT-T902	Potentiometer (7824 R1K L25)				1	
E-3-6	08102300T902	Half Turn Sensor (Gp1S51V)				1	
E-3-7	03016SC-4113	Hex. Socket Bolt (M5*L15)			O	4	
E-3-8	18048SW-3115	Spring Washer (@5)			O	4	
E-3-9	16018SW-1111	Washer (@5)			O	4	

## X-Axis Drive Set



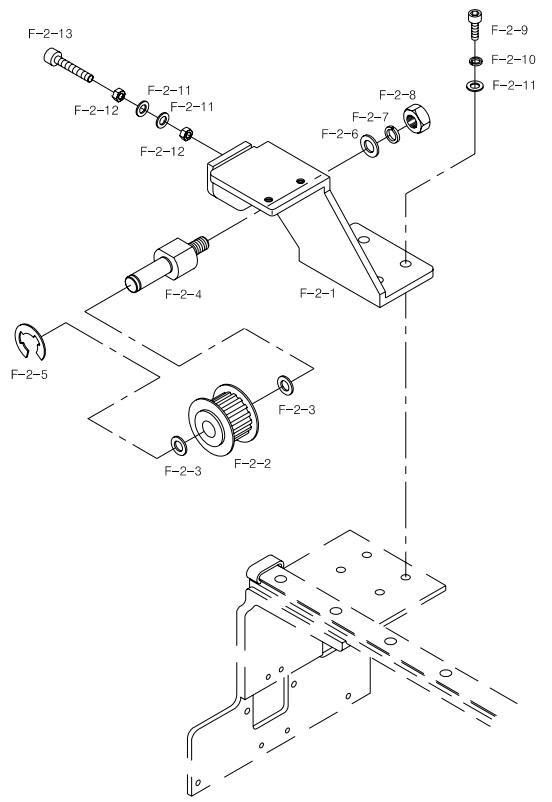
# F-1



## Note

Ref.No	Part No.	Part Name	Applied Period	Interchangeability	Hardware	Qty	Remark
F-1-1	STMO1-000002	X-Motor Set (103H7126-0426)				1	
F-1-2	GP-020478-00	Motor Bracket				1	
F-1-3	05100200T000	X-Axis Motor Plate				1	
F-1-4	02023SC-7113	Hex.Socket Bolt (M4*L8)			O	2	
F-1-5	18015SW-3111	Washer (M4)			O	6	
F-1-6	15077BR-A001	Bearing (698ZZ)			O	1	
F-1-7	14063PU-UK01	Timing Pulley				1	
F-1-8	04014SC-4517	Screw(M5*L5)			O	2	
F-1-9	08076SC-7113	Hex.Socket Bolt (M5*L12)			O	6	
F-1-10	18048SW-3115	Spring Washer (M5)			O	4	
F-1-11	18049SW-3111	Washer (M5)			O	4	
F-1-12	18083SN-3211	Nut (M5)			O	2	

# F-2

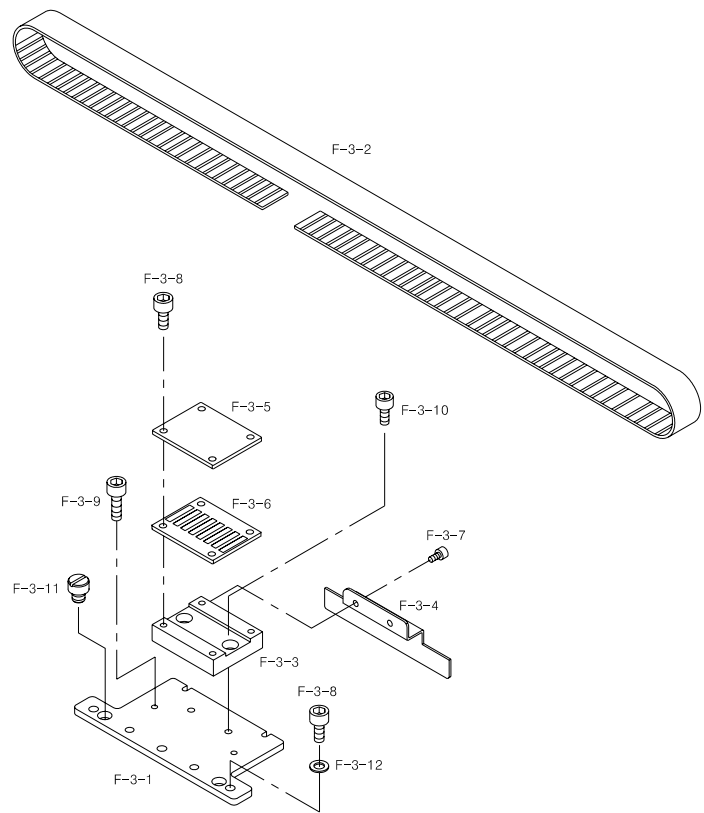


Note

Ref.No	Part No.	Part Name	Applied Period	Interchangeability	Hardware	Qty	Remark
F - 2 - 1	15014PR - CT01	X Pulley Bracket				1	
F - 2 - 2	12017PU - T121	Pulley				1	
F - 2 - 3	12019BR - T121	Fiber Washer R - Tw1020				2	
F - 2 - 4	15018CW - CT01	X Pulley Shaft				1	
F - 2 - 5	12022SR - 4013	E-Ring			○	1	
F - 2 - 6	08041SW - 1111	Washer (M8)			○	1	
F - 2 - 7	15095SW - 3115	Spring Washer (M8)			○	1	
F - 2 - 8	04032SN - A001	Nut (M8)			○	1	
F - 2 - 9	08076SC - 7113	Hex.Socket Bolt (M5*L12)			○	4	
F - 2 - 10	18048SW - 3115	Spring Washer (M5)			○	4	
F - 2 - 11	18049SW - 3111	Washer (M5)			○	6	
F - 2 - 12	18083SN - 3211	Nut (M5)			○	2	
F - 2 - 13	15030SC - 7113	Hex.Socket Bolt (M5*L30)			○	1	

F

# F-3

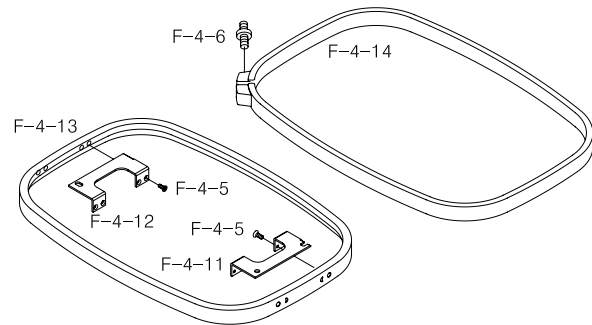
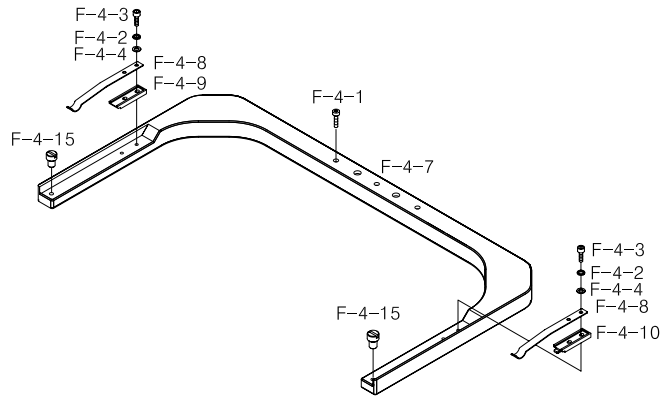


Note

Ref.No	Part No.	Part Name	Applied Period	Interchangeability	Hardware	Qty	Remark
F-3-1	2200001EA00	Frame Connecting Plate				1	
F-3-2	BE-000084-00	X-Driving Timing Belt				1	
F-3-3	15035AD-CT01	X Driving Belt Support				1	
F-3-4	GP-020466-00	X-Sensor Plate				1	
F-3-5	12038PR-T121	X-Axis Belt Presser				1	
F-3-6	12037PR-T121	X-Axis Belt Holder				1	
F-3-7	13020SC-7113	Hex.Socket Bolt (M3*L8)					
F-3-8	09007SC-7113	Hex.Socket Bolt (M3*L12)			O	6	
F-3-9	03071SC-7113	Hex.Socket Bolt (M3*L10)			O	4	
F-3-10	02023SC-7113	Hex.Socket Bolt (M4*L8)			O	2	
F-3-11	PN-000142-00	Attachment Fixing Pin				2	
F-3-12	11019SW-9115	Spring Washer (@3)			O	4	

F

# F-4

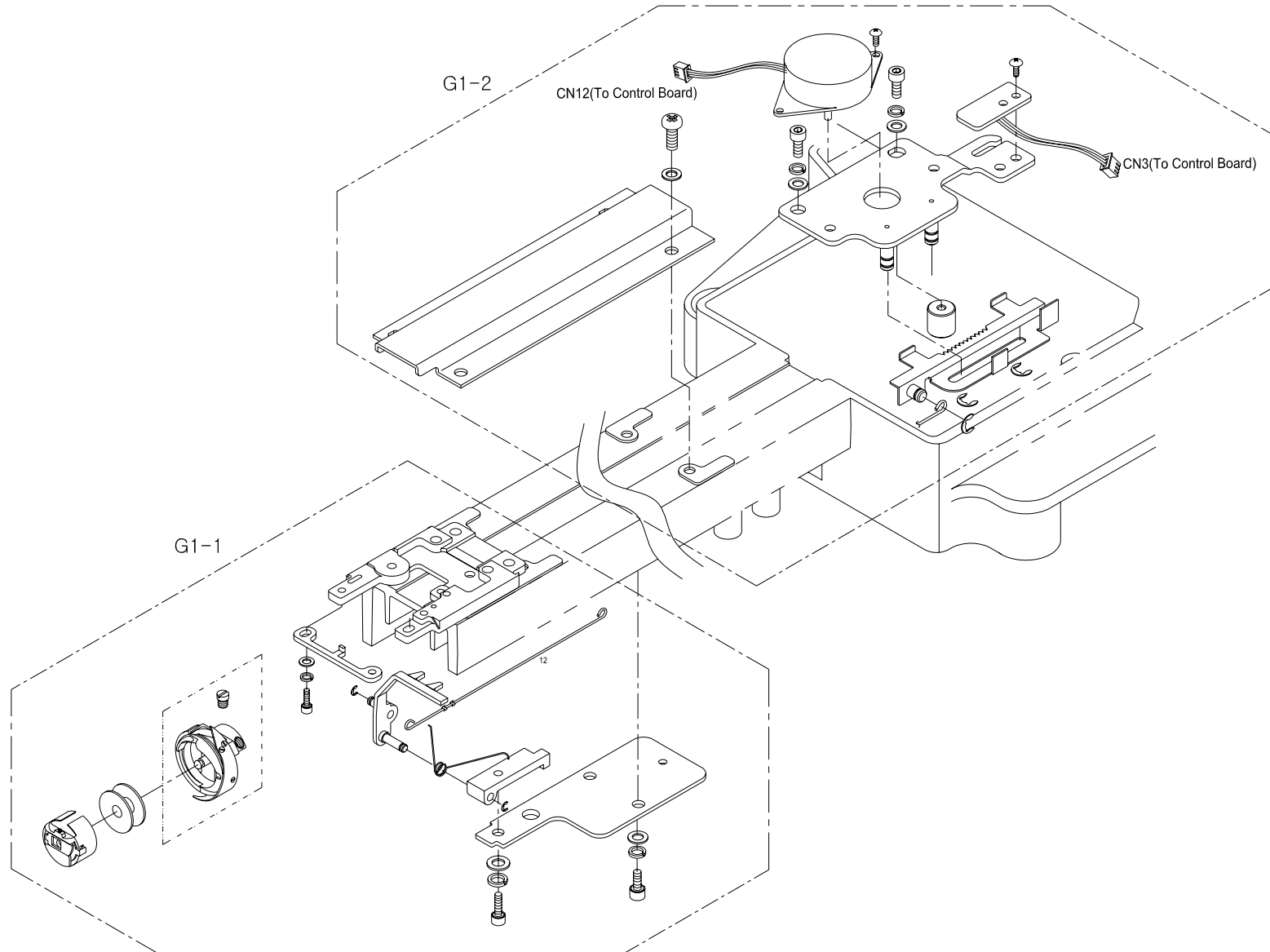


## Note

Ref.No	Part No.	Part Name	Applied Period	Interchangeability	Hardware	Qty	Remark
F-4-1	05008SC-4113	Hex.Socket Bolt(M4*L16)				4	
F-4-2	06011SW-2111	Washer(@3)				4	
F-4-3	09007Sc-7113	Hex.Socket Bolt(M3*L12)				4	
F-4-4	11019SW-9115	Spring Washer(@3)				4	
F-4-5	13061SC-8119	Plus Screw(M3*L10)				8	
F-4-6	18111CW-A001	Frame Tension Adjusting Bolt				2	
F-4-7	AS-005187-00	Tubular Frame Attachment Assy'				1	
F-4-8	GP-002541-01	Tubular Frame Holding Clip				2	
F-4-9	GP-002548-00	Tubular Frame Fixing Clip Bracket(L)				1	
F-4-10	GP-002549-00	Tubular Frame Fixing Clip Bracket(R)				1	
F-4-11	GP-005581-00	Tubular Frame Holder "B"(R)				1	
F-4-12	GP-005582-00	Tubular Frame Holder "B"(L)				1	
F-4-13	GP-016522-00	Tubular Frame39*26(Inner)				2	
F-4-14	GP-020393-00	Tubular Frame39*26(Outer)				2	
F-4-15	PN-000143-00	Tubular Frame Fixing Pin				2	

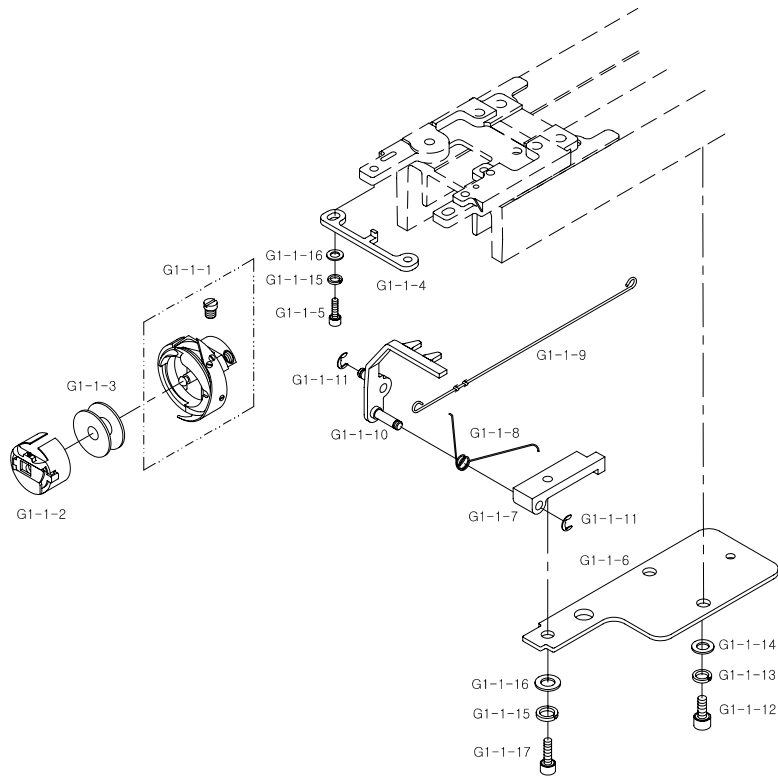
# F

## Setting 1





# G1-1

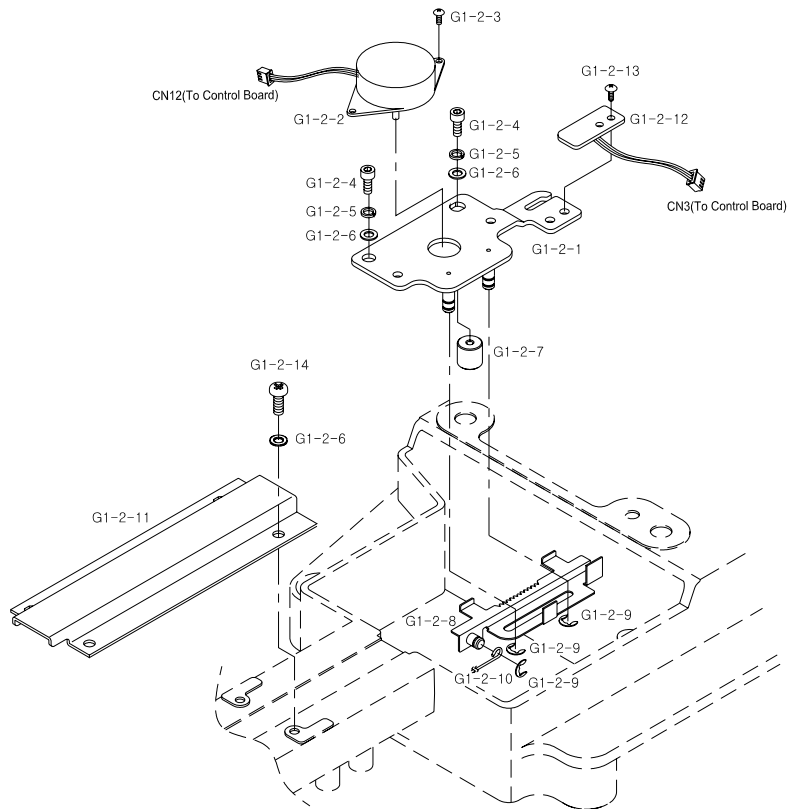


Note

Ref.No	Part No.	Part Name	Applied Period	Interchangeability	Hardware	Qty	Remark
G1-1-1	GP-040562-00	Rotary Hook Set				1	
G1-1-2	04035AF-A001	Bobbin				1	
G1-1-3	04034AF-A002	Bobbin Case				1	
G1-1-4	GP-016499-00	Hook Stopper	~ Jan.08.07	O		1	
	GP-016499-01	Hook Stopper	Jan.09.07 ~	O		1	
G1-1-5	15112SC-7113	Hook Stopper Screw			O	1	
G1-1-6	GP-016514-00	Picker Base				1	
G1-1-7	GP-016513-00	Picker Bracket				1	
G1-1-8	GP-016516-00	Picker Return Spring				1	
G1-1-9	GP-016512-00	Picker connect plate				1	
G1-1-10	GP-016517-00	Picker Ass'y				1	
G1-1-11	RI-000058-00	E-Ring(@2.5)			O	5	
G1-1-12	04010MC-7113	Screw (M4*L10)			O	2	
G1-1-13	18014SW-3115	Spring Washer (@4)			O	2	
G1-1-14	18015SW-3111	Washer (@4)			O	2	
G1-1-15	11019SW-9115	Spring Washer (@3)			O	2	
G1-1-16	06011SW-2111	Washer (@3)			O	2	
G1-1-17	13020SC-7113	Hex.Socket Bolt(M3*L8)			O	1	

G1

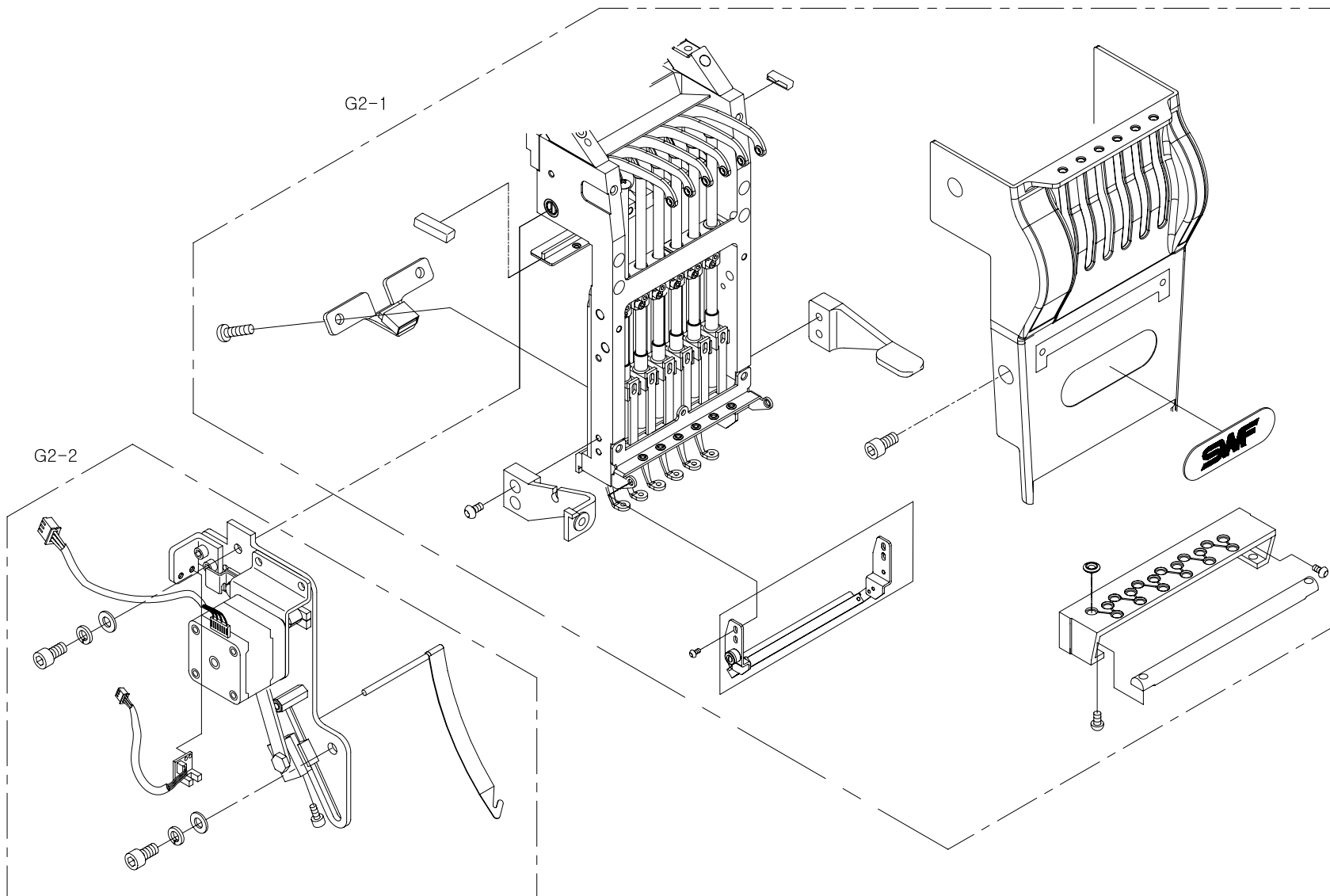
# G1-2



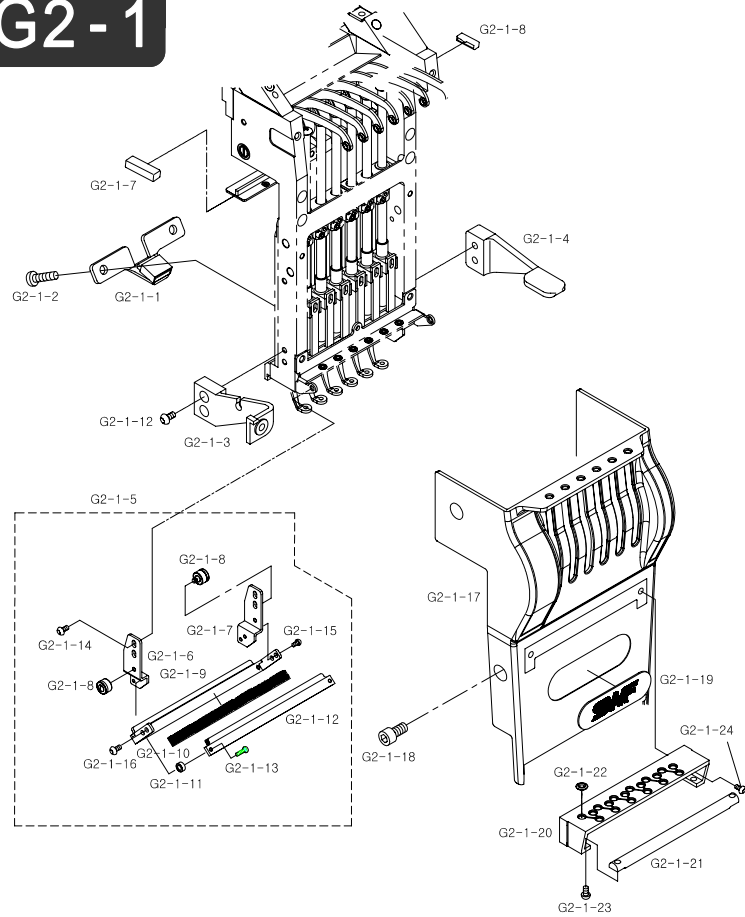
Ref.No	Part No.	Part Name	Applied Period	Interchangeability	Hardware	Qty	Remark
G1-2-1	GP-016514-00	Picker Base				1	
G1-2-2	GP-016515-00	Picker Motor				1	
G1-2-3	08098SC-8118	Screw (M3*L5)			O	4	
G1-2-4	04010MC-7113	Screw (M4*L10)			O	4	
G1-2-5	18014SW-3115	Spring Waher (M4)			O	4	
G1-2-6	18015SW-3111	Waher (M4)			O	8	
G1-2-7	GP-016572-00	Picker Gear				1	
G1-2-8	GP-016518-00	Rack For Picker Moving Ass'y	- Apr.26.07			1	
	GP-016518-01	Rack For Picker Moving Ass'y	Apr.27.07 -			1	
G1-2-9	RI-000058-00	E-Ring(@2.5)			O	3	
G1-2-10	GP-016512-00	Picker connect plate				1	
G1-2-11	GP-016734-00	Bed cover				1	
G1-2-12	BD-000483-00	Sensor				1	
G1-2-13	SC-000459-00	Screw(M3*L8)			O	2	
G1-2-14	02023SC-7113	Screw(M4*L8)			O	4	

Note

## Setting 2



# G2-1

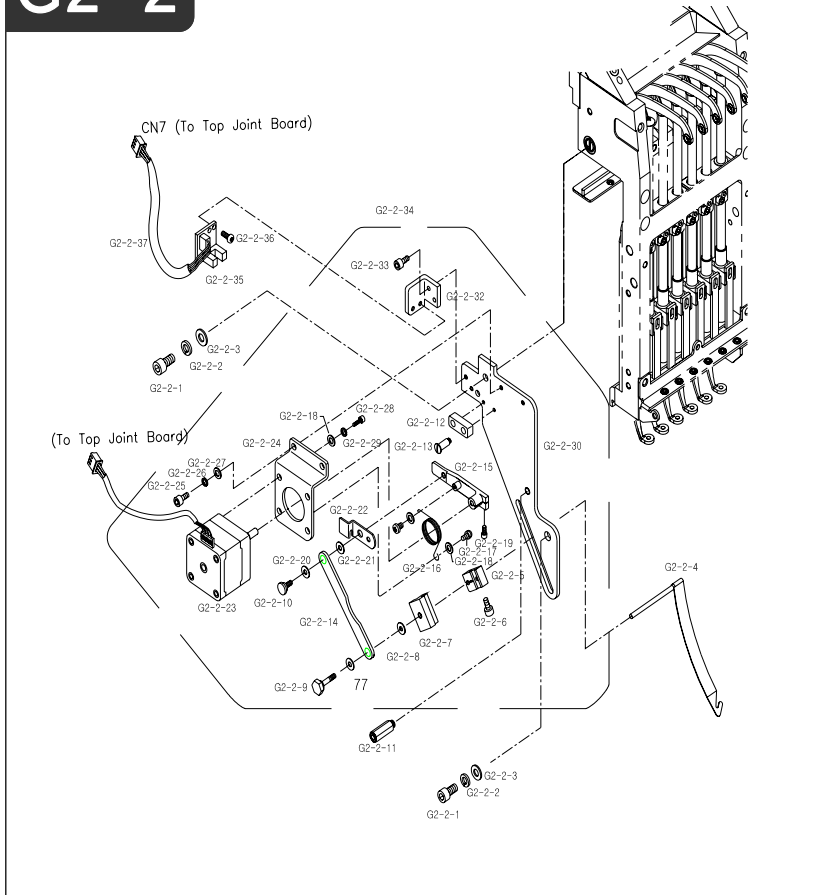


Note

Ref.No	Part No.	Part Name	Applied Period	Interchangeability	Hardware	Qty	Remark
G2-1-1	GP-008332-00	Upper Thread Catcher Guide Set				1	
G2-1-2	18153SC-3123	Hex.Socket Bolt (M4*L10)			O	2	
G2-1-3	GP-009854-01	Lamp End Bracket (L)				1	
G2-1-4	GP-009858-01	Lamp End Bracket (R)				1	
G2-1-5	08600002EA00	Upper Thread Base Set (6C)				1	
G2-1-6	09040PR-A001	Bracket (L)				1	
G2-1-7	09041PR-A001	Bracket (R)				1	
G2-1-8	09044PR-A001	Upper Thread Holder Disk Set				2	
G2-1-9	GP-020448-00	Upper Thread Presser Base (6C)				1	
G2-1-10	09035ET-AE00	Velcro (6C)				1	
G2-1-11	09038CW-A001	Thread Presser Space				2	
G2-1-12	09037PR-AE00	Presser Base Cover (6C)				1	
G2-1-13	07018SC-8118	Plus Screw (M3*L8)				2	
G2-1-14	02009SC-A001	Side Cover Screw				4	
G2-1-15	06010SC-8118	Plus Screw (M3*L4)				2	
G2-1-16	02009SC-A001	Screw (9/64 n=40,L6)			O	4	
G2-1-17	GP-015103-00	Head Face Plate (6C)	Feb,09,06 ~	X		1	
	GP-015103-00		Nov,12,09 ~				
G2-1-18	02009SC-A001	Side Cover Screw			O	4	
G2-1-19	GP-010240-00	Sticker Sticker				1	
G2-1-20	GP-044537-00	Thread Guide (M-6C) Ass'y	Dec,16,08 ~			1	
G2-1-21	GP-044297-00	Thread Guide Shaft 6C	Nov,25,08 ~				
	GP-044297-01	Thread Guide Shaft 6C	Dec,16,08 ~				
	GP-044297-02	Thread Guide Shaft 6C	Jan,30,09 ~				
	GP-044297-03	Thread Guide Shaft 6C	Feb,17,09 ~				
G2-1-22	GP-029521-00	Tubular Frame Rail Plate	Apr,27,07 ~	X		1	
G2-1-23	13054SC-3123	Truss Screw (M3 X L8)				2	
G2-1-24	05070SC-3123	Head Face Plate (U) Screw				2	



# G2-2



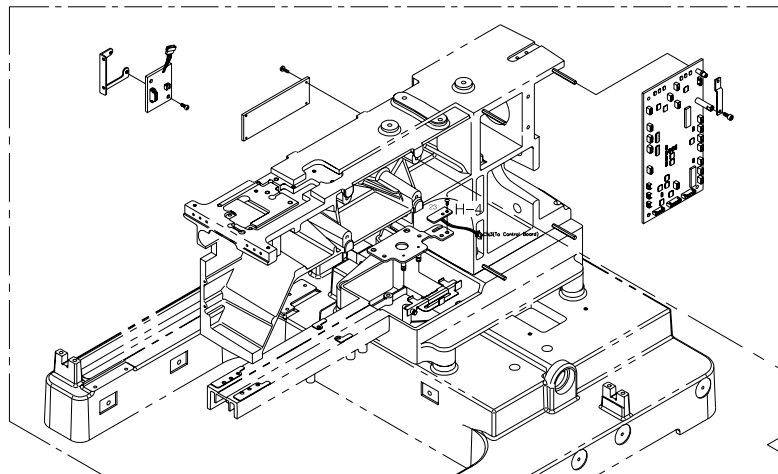
Note

Ref.No	Part No.	Part Name	Applied Period	Interchangeability	Hardware	Qty	Remark
G2-2-1	08076SC-7113	HEX. SOCKET BOLT (M5*L12)			O	2	
G2-2-2	18048SW-3115	SPRING WASHER (5@)			O	2	
G2-2-3	18049SW-3111	WASHER (@5)			O	2	
G2-2-4	09005PR-CT01	Upper Thread Catcher				1	
G2-2-5	09006AD-T121	Positioning Collar Bracket				1	
G2-2-6	09007SC-7113	HEX. SOCKET BOLT (M3*L12)			O	1	
G2-2-7	09008PM-T121	Positioning Collar				1	
G2-2-8	09009PR-T121	Positioning Collar Washer				1	
G2-2-9	09010CW-T121	Stud Screw				1	
G2-2-10	09013CW-T121	Driving Link Stud Screw				1	
G2-2-11	SC-000243-00	Wiper Cover Stud Bolt				2	
G2-2-12	09021RB-A001	Cushion Stopper				1	
G2-2-13	09033CW-CT01	STOPER SCREW				2	
G2-2-14	GP-006007-00	DRIVING LINK				1	
G2-2-15	08500700C000	Motor Shaft Connecting Lever				1	
G2-2-16	08500400C000	Upper Thread Return Spring				1	
G2-2-17	06010SC-8118	Plus Screw (M3*L4)			O	2	
G2-2-18	06011SW-2111	Washer (@3)			O	6	
G2-2-19	02015SC-7113	HEX.SOCKET BOLT (M4*L10)			O	1	
G2-2-20	08500600C000	Wiper Driving Link Washer				1	
G2-2-21	08500600C000	Wiper Driving Link Washer				2	
G2-2-22	08500800C000	Wiper Return Sensor Plate				1	
G2-2-23	08500200C000	Upper Thread Catcher Motor				1	
G2-2-24	08500300C000	Upper Thread Hook Motor Base				1	
G2-2-25	02023SC-7113	Hex.Socket Bolt (M4*L8)			O	2	
G2-2-26	18014SW-3115	Spring Washer (@4-No2)			O	2	
G2-2-27	18015SW-3111	Washer (4@)			O	2	
G2-2-28	22006SC-7113	HEX. SOCKET BOLT (M3*L8)			O	4	
G2-2-29	11019SW-9115	Spring Washer (3@)			O	4	
G2-2-30	08500110C000	Upper Thread Hook Base				1	
G2-2-31	08501000C000	WIPER RETURN SENSOR BRAKET				1	
G2-2-32	07035SC-7113	BRACKET SCREW (M3*L6)			O	2	
G2-2-33	08500010C000	Upper Thread Catcher Set				1	
G2-2-34	09017EL-T121	Wiper Sensor Board				1	
G2-2-35	08006SC-8118	Plus Screw (M3*L5)			O	2	
G2-2-36	DUAL-ONE-20	WIPER RETURN SENSOR Connector				1	

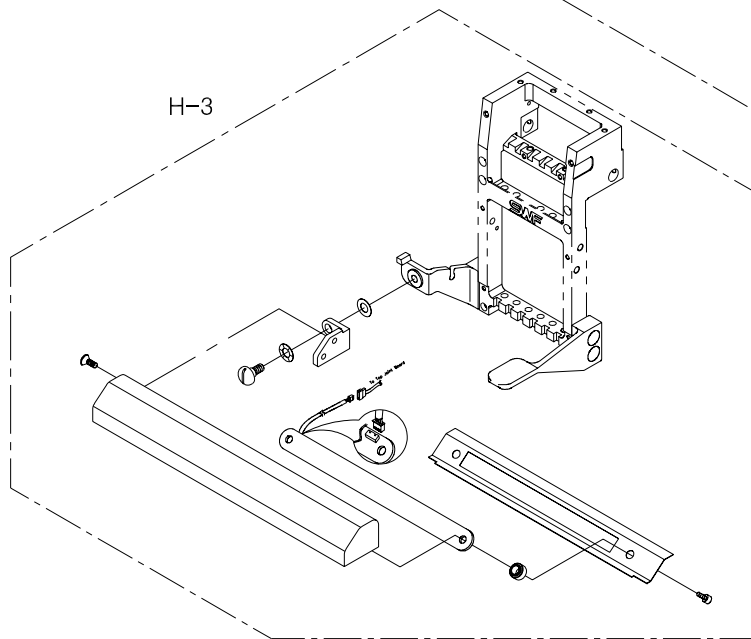
G2

## Operation Unit & Main Controller

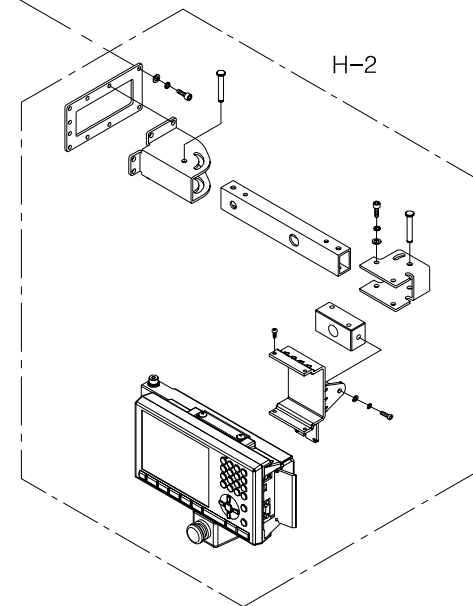
H-1



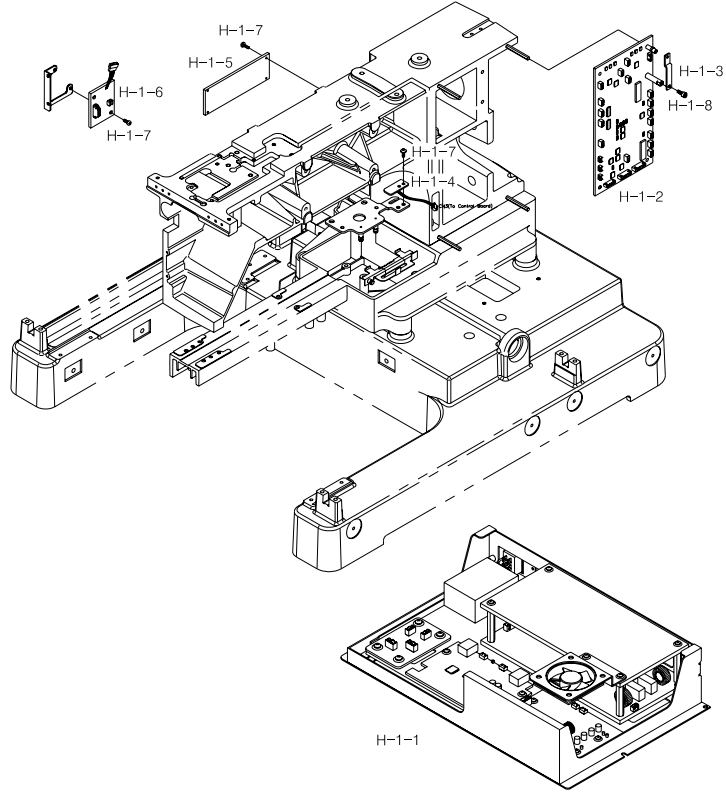
H-3



H-2



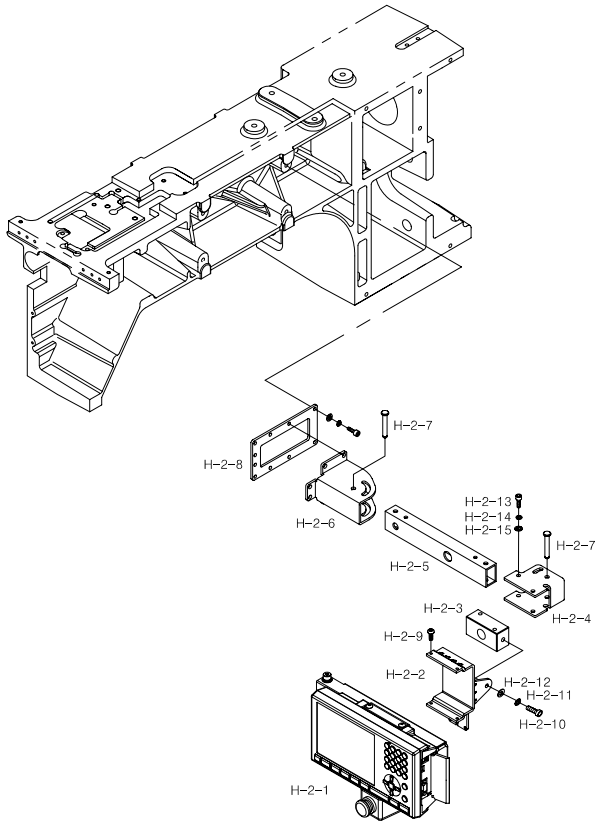
# H-1



Note

Ref.No	Part No.	Part Name	Applied Period	Interchangeability	Hardware	Qty	Remark
H-1-1	SWF-00000499	Control Box Ass'y				1	
H-1-2	BD-000482-03	Control Board	~ Mar.01.07	O		1	
	BD-000482-04	Control Board	Mar.02.07 ~	O		1	
	BD-000482-05	Control Board	~ Mar.20.07	O		1	
	BD-000482-06	Control Board	Mar.21.07 ~ Apr.29.07	O		1	
	BD-000482-07	Control Board	Apr.30.07 ~	O		1	
H-1-3	GP-016873-00	Arm Cover Stud Bracket				1	
H-1-4	BD-000483-00	Sensor Board				1	
H-1-5	BD-000291-01	Top Joint Board				1	
H-1-6	BD-000481-01	Encoder Board				1	
H-1-7	SC-000459-00	Screw(M3*L8)			O	8	
H-1-8	02015SC-7113	Hex.Socket Bolt(M4*L10)			O	1	

# H-2



Note

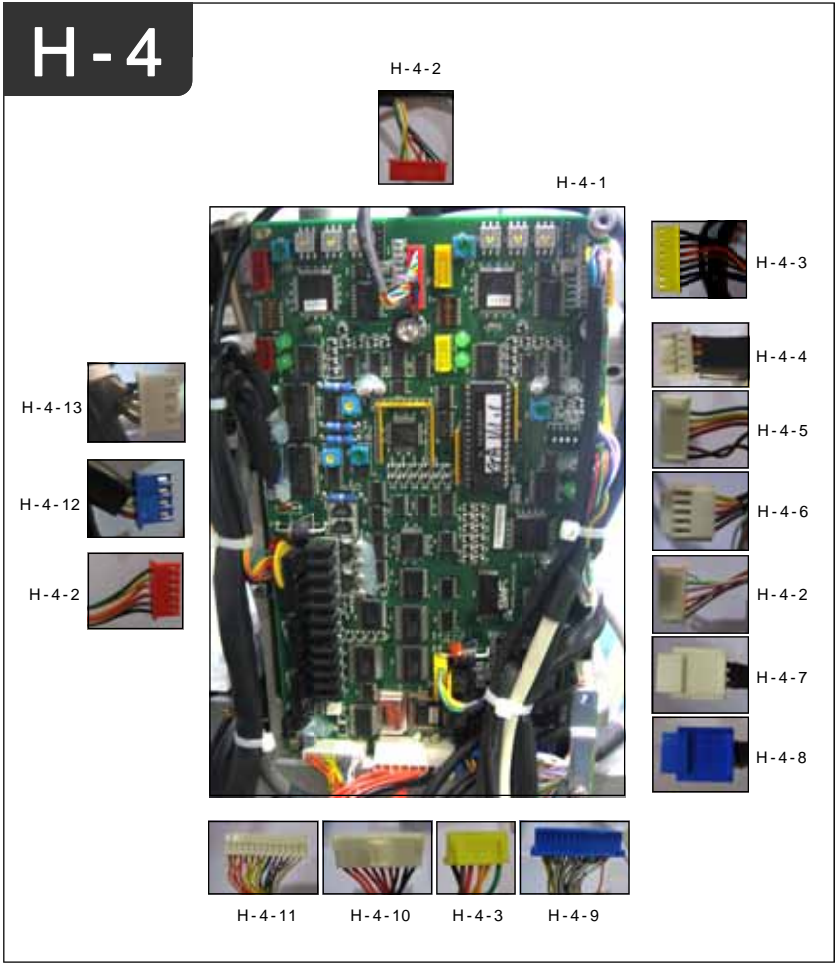
Ref.No	Part No.	Part Name	Applied Period	Interchangeability	Hardware	Qty	Remark
H - 2 - 1	SWF - 00000500	Operation Box Ass'y				1	
H - 2 - 2	GP - 022280 - 00	OP Holder				1	
H - 2 - 3	GP - 016873 - 00	OP Holder Hinge (B)				1	
H - 2 - 4	GP - 016872 - 00	OP Holder Hinge (A)	~ Jul.20.08	O		1	
	GP - 016872 - 01		Jul.21.08 ~	O			
	GP - 016872 - 02		Aug,10,09 ~	X			
H - 2 - 5	GP - 020410 - 00	OP Holder				1	
H - 2 - 6	GP - 020411 - 00	OP Holder Base	~ May.07.08			1	
	GP - 020411 - 01	OP Holder Base	May.08.08 ~			1	
H - 2 - 7	PN - 000266 - 00	OP Holder Pin				2	
			Aug,10,09 ~	X			
H - 2 - 8	GP - 016870 - 00	OP Bracket Base				1	
			Aug,10,09 ~	X			
H - 2 - 9	SC - 000544 - 00	Screw For OP Holder Braket(M5*L12)				4	
H - 2 - 10	08091SC - 7113	Hex. Socket Bolt (M6*L20)			O	2	
H - 2 - 11	03026SW - 9115	Spring Washer (@6)			O	2	
H - 2 - 12	08057SW - 1111	Washer (@6)			O	2	
H - 2 - 13	SC - 001503 - 00	Hex. Socket Bolt (M5*L10)			O	2	
H - 2 - 14	18048SW - 3115	Spring Washer (@5)			O	2	
H - 2 - 15	18049SW - 3111	Washer (@5)			O	2	







# H-4

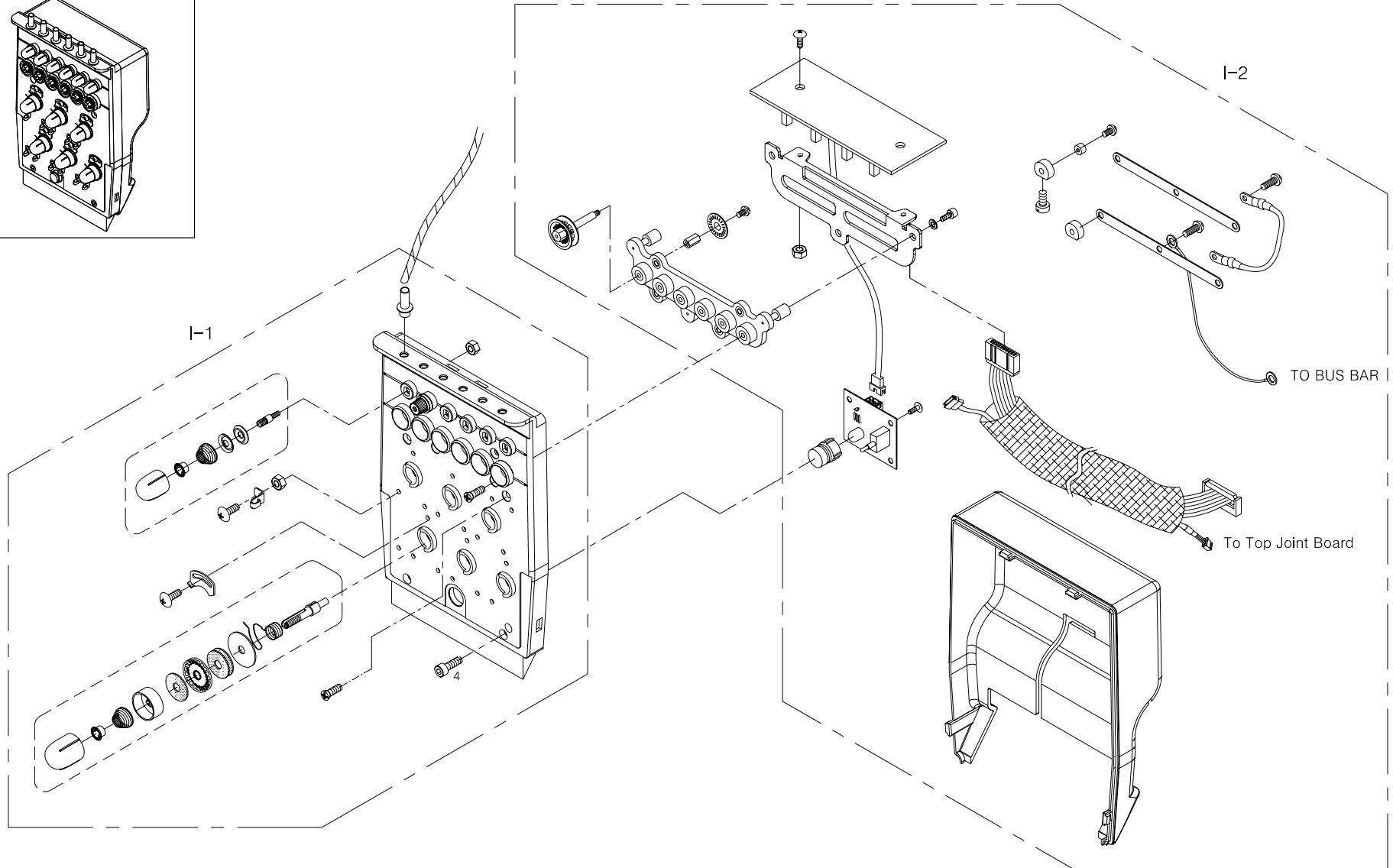
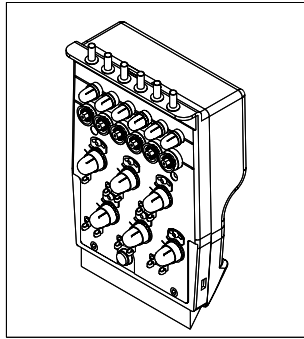


Ref.No	Part No.	Part Name	Applied Period	Interchangeability	Hardware	Qty	Remark
H-4-1	BD-000482-03	Control Board	~ Mar.01.07	O		1	
	BD-000482-04	Control Board	Mar.02.07 ~	O		1	
	BD-000482-05	Control Board	~ Mar.20.07	O		1	
	BD-000482-06	Control Board	Mar.21.07 ~ Apr.29.07	O		1	
	BD-000482-07	Control Board	Apr.30.07 ~	O		1	
H-4-2	CA-002347-00	X-Motor Connecting Cable				1	
H-4-3	CA-002337-00	Y-Motor Connecting Cable				1	
H-4-4	CA-002330-00	Control Board To B/P Board Cable				1	
H-4-5	CA-002338-02	Y-ORG, Limit Sensor Cable				1	
H-4-6	CA-002342-00	Encoder To Control Board Cable				1	
H-4-7	CA-002346-02	Trim Motor Return Sensor Cable				1	
H-4-8	CA-002345-02	Picker Motor Return Sensor Cable				1	
H-4-9	CA-002349-00	Control Board To Joint Board Cable				1	
H-4-10	CA-002322-00	SMPS +24V Out Put Cable				1	
H-4-11	CA-002341-00	OP-Box To Control Board Cable				1	
H-4-12	CA-002340-00	Picker Motor Cable				1	
H-4-13	CA-002339-00	Trim Motor Cable				1	

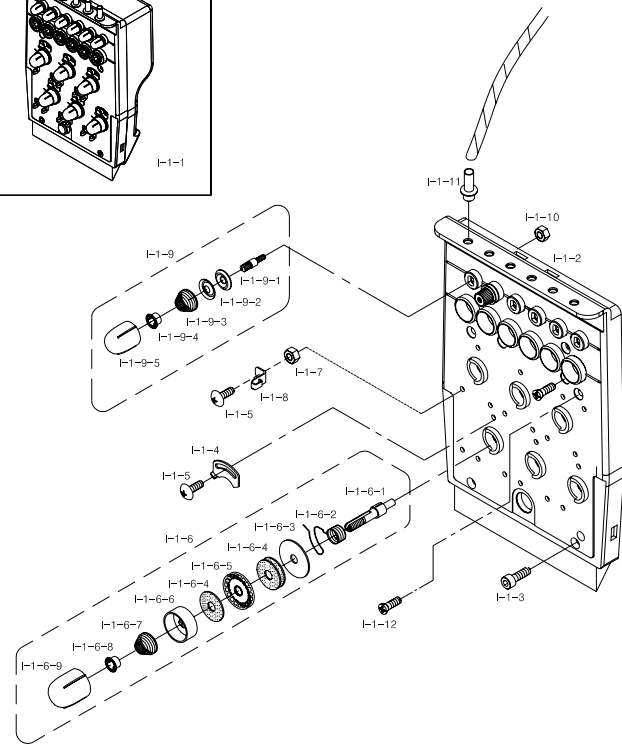
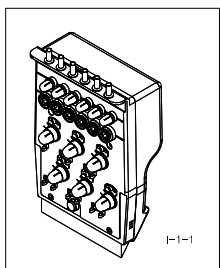
Note



## Thread Tension Unit



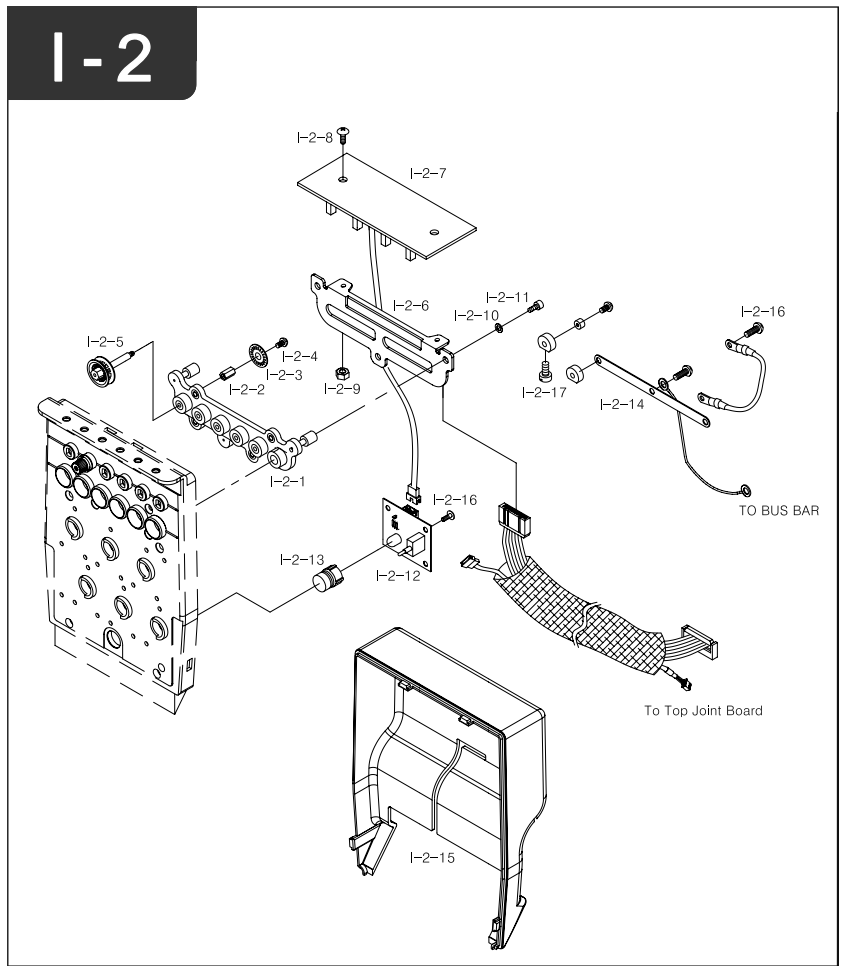
# I-1



Ref.No	Part No.	Part Name	Applied Period	Interchangeability	Hardware	Qty	Remark
I-1-1	AS-006058-00	Tension Unit Set				1	
I-1-2	GP-022293-00	Tension Unit				1	
I-1-3	04010MC-7113	Screw (M4*L10)			O	2	
I-1-4	11009PR-B001	Thread Breakage Detecting Plat				6	
I-1-5	03006MC-T902	Truss Screw (M3*L6)			O	27	
I-1-6	AS-005560-00	Tension Adjusting Set				6	
I-1-6-1	11081CW-A001	Thread Tension Adjusting Stud				1	
I-1-6-2	11082AF-A001	Thread Take-Up Ssring				1	
I-1-6-3	11083PM-A001	Disc Plate				1	
I-1-6-4	11084AF-A001	Felt				3	
I-1-6-5	11085AF-A001	Rotary Tension Disc				1	
I-1-6-6	GP-022296-00	Tension Spring Collar				1	
I-1-6-7	08300800A000	Tension Adjusting Spring				1	
I-1-6-8	08300700A000	Tension Spring Stopper				1	
I-1-6-9	SN-000105-00	Tension Adjusting Nut				1	
I-1-7	11014SN-1211	Hex.Nut (M3)			O	15	
I-1-8	11012PR-B001	Thread Guide (New)				15	
I-1-9	AS-006178-00	Sub Tension Adjusting Set				6	
I-1-9-1	08301000T902	Tension Adjusting Stud				1	
I-1-9-2	08301200I000	Tension Disc				2	
I-1-9-3	08301100T902	Tension Spring				1	
I-1-9-4	11088PM-A001	Tension Spring Stopper				1	
I-1-9-5	SN-000106-00	Sub Tension Adjusting Nut				1	
I-1-10	03031SN-A001	Nut (11/64,N=40)			O	6	
I-1-11	08010000C000	Hose Catcher Bushing				6	
I-1-12	02002SC-7119	PLUSS SCREW (M4*L8)			O	5	

Note

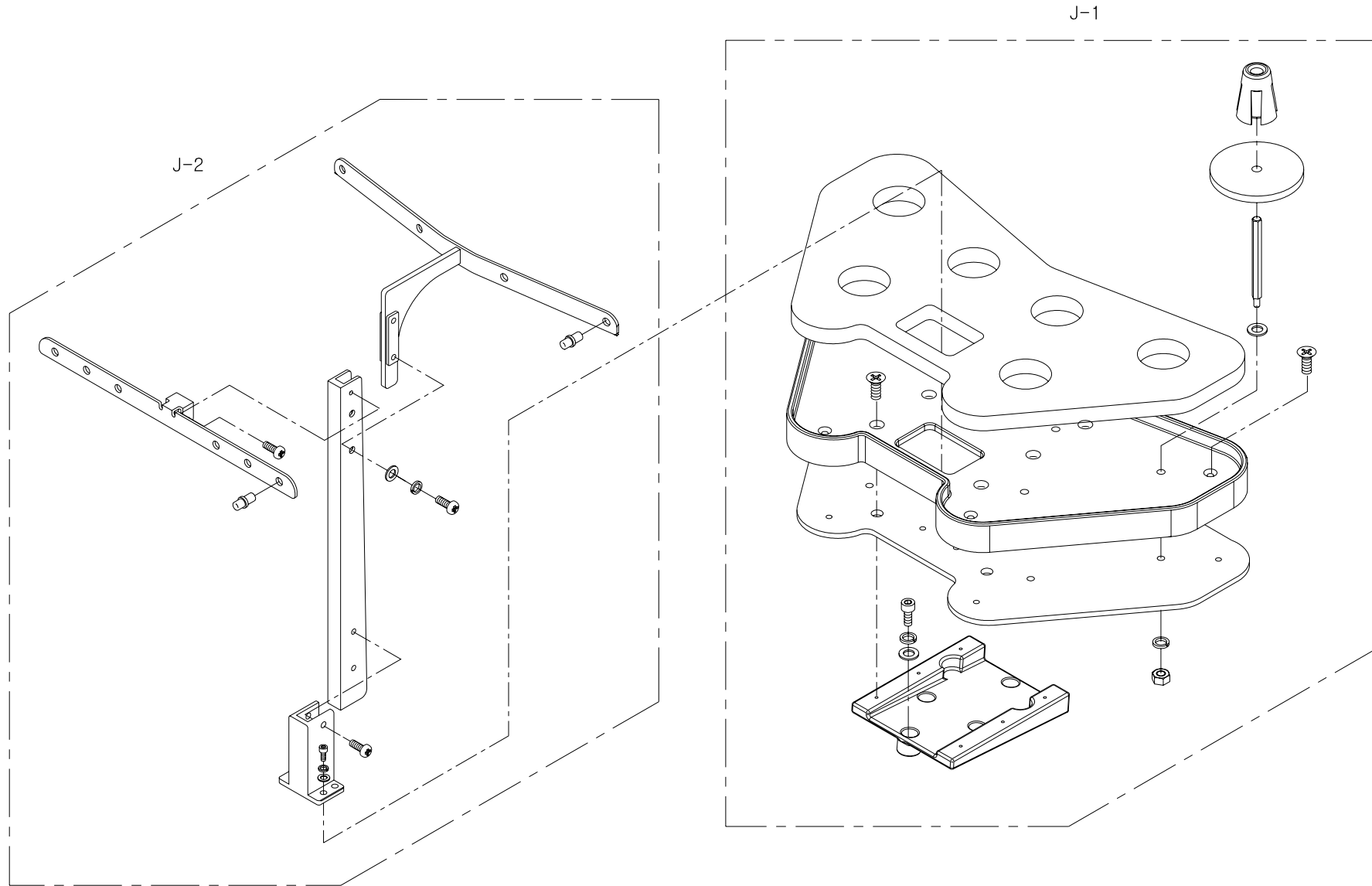
# I-2



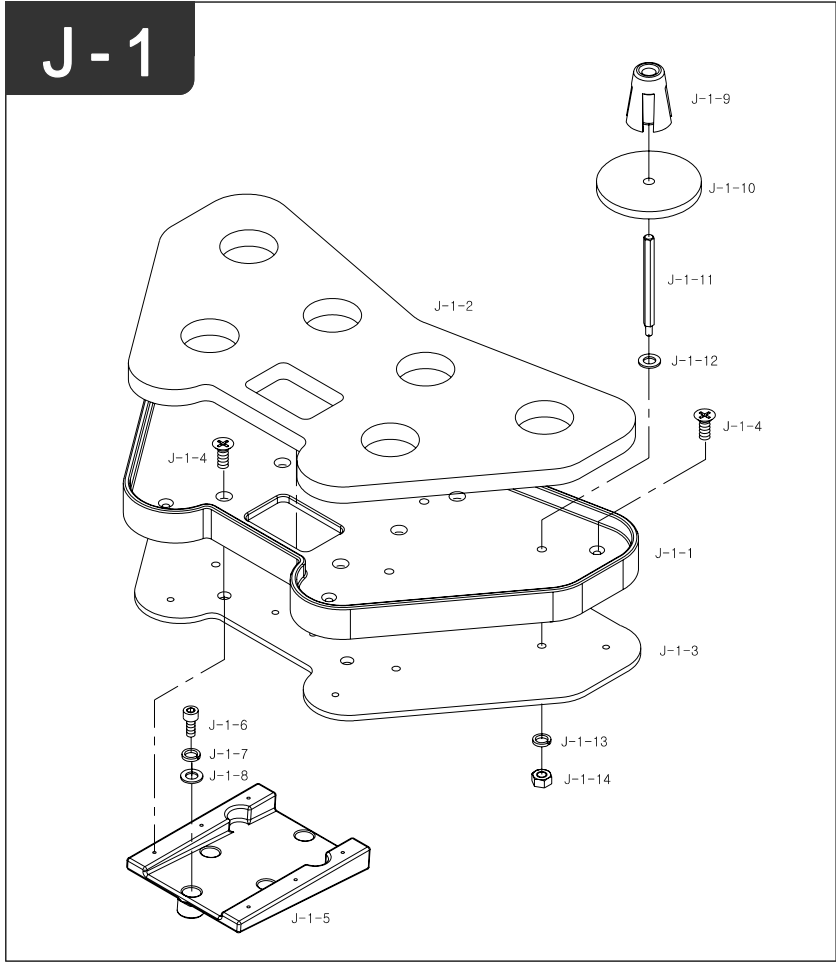
Ref.No	Part No.	Part Name	Applied Period	Interchangeability	Hardware	Qty	Remark
I-2-1	11033PM-CT06	Roller Base				1	
I-2-2	11083CW-B001	Thread Detecting Wheel Stud				4	
I-2-3	GP-005179-00	Thread Breakage Detecting Wheel				6	
I-2-4	08011SC-8118	Screw (M2*L4)			O	6	
I-2-5	GP-022712-00	Thread Sensor Roller(B1)Set				6	
I-2-6	08300122B000	Thread Board Base				1	
I-2-7	18009EL-WH06	U.T.C Board				1	
I-2-8	02010SC-3123	Screw (M4*L8)			O	2	
I-2-9	15029SN-3211	Hex.Nut (M4)			O	2	
I-2-10	06003SW-2111	Washer (@4.5)			O	3	
I-2-11	02023SC-7113	Plus Screw (M4*L8)				3	
I-2-12	03-0000-EMB1	Head On/Off S/W Board 6C,12C				1	
I-2-13	08300400A000	Lamp Cover				1	
I-2-14	08300302I000	Connection Plate (A)				2	
I-2-15	GP-022294-00	Tension Unit Cover				1	
I-2-16	09005SC-3123	Truss Screw (M3*L6)			O	10	
I-2-17	11009SC-A001	Stud Screw				9	

Note

## Spool



# J-1



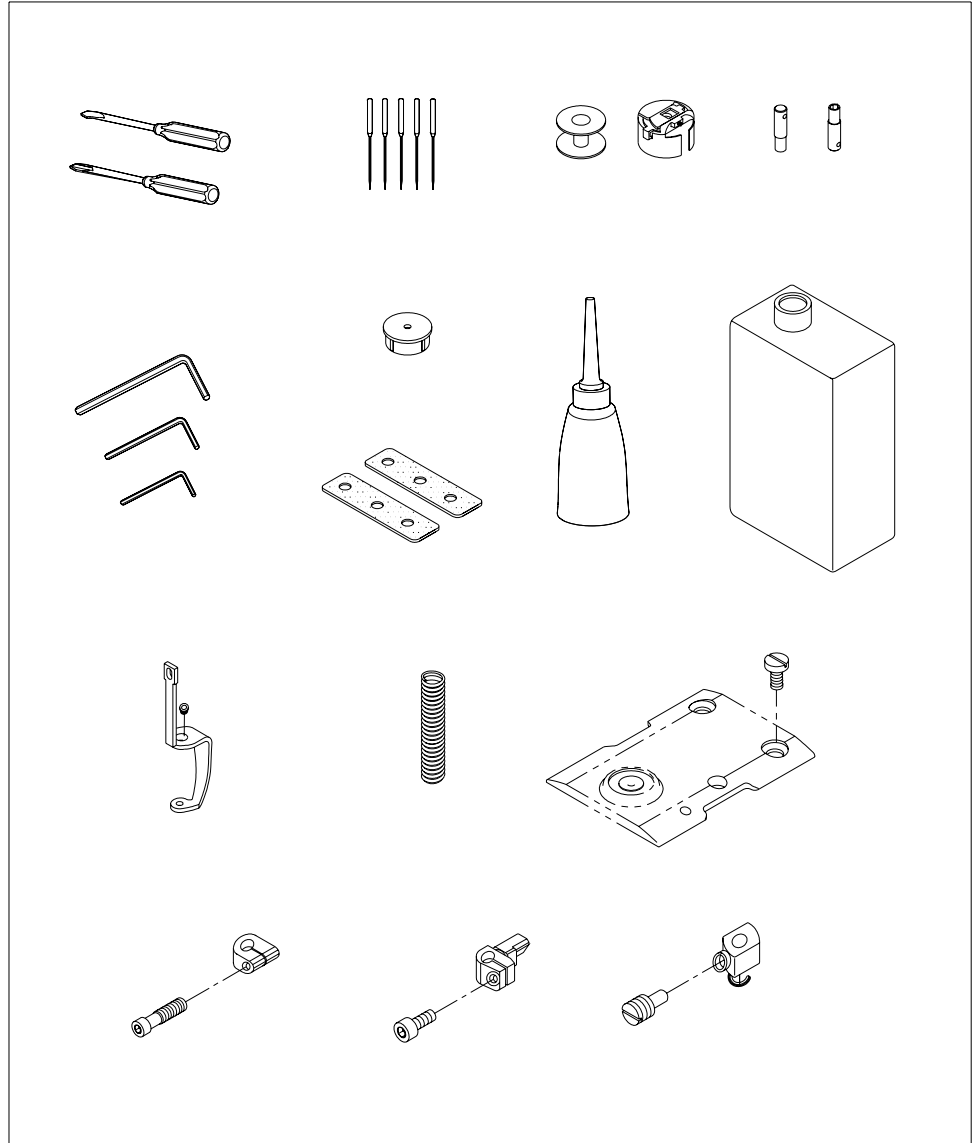
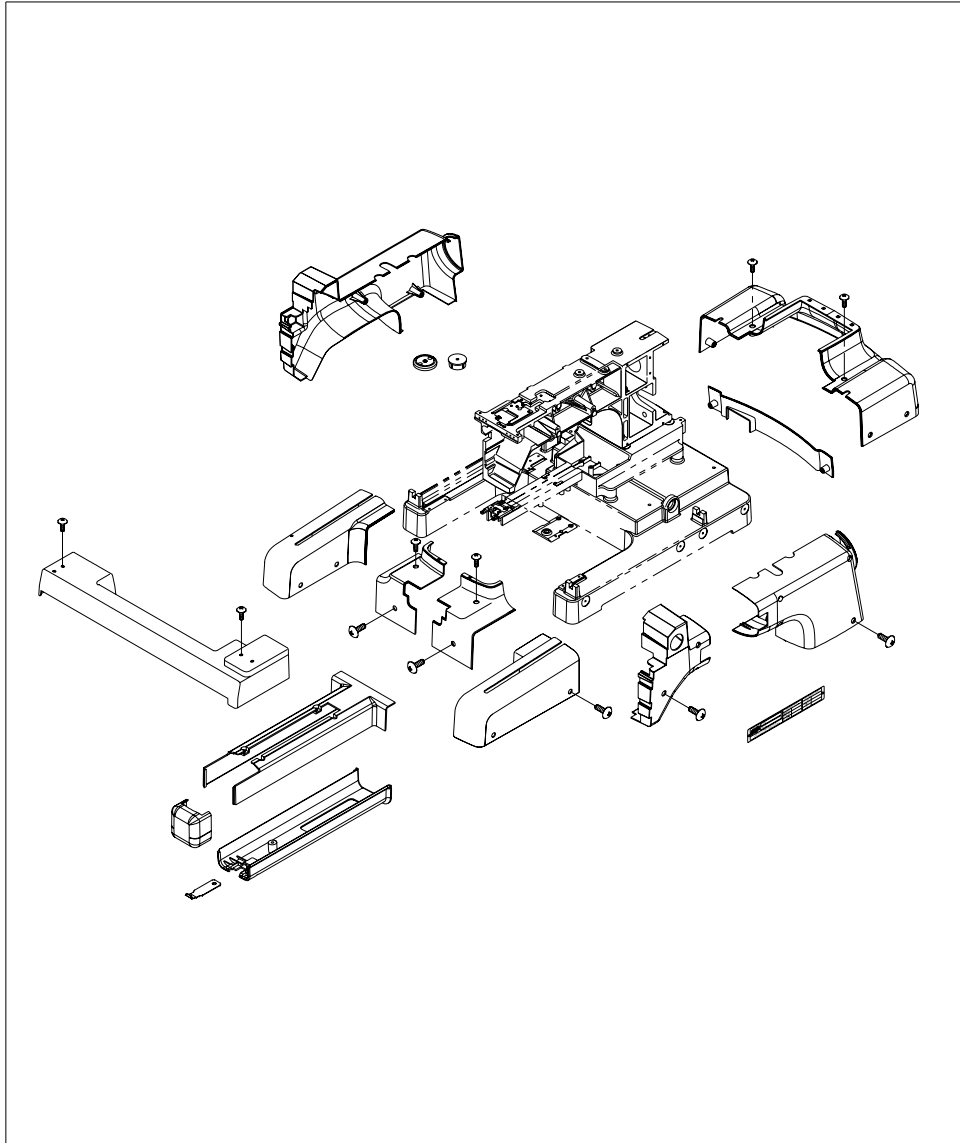
Ref.No	Part No.	Part Name	Applied Period	Interchangeability	Hardware	Qty	Remark
J-1-1	GP-016921-00	Spool Plate				1	
J-1-2	GP-016906-00	Spool Plate Felt				1	
J-1-3	GP-016905-00	Spool Fixing Plate		O		1	
	GP-016905-01	Spool Fixing Plate		O		1	
J-1-4	02002SC-7119	Screw (M4*L8)			O	10	
J-1-5	GP-016920-00	Spool Support				1	
J-1-6	16059SC-4113	Hex.Socket Bolt(M6*L12)			O	4	
J-1-7	03026SW-9115	Spring Washer (@6)			O	4	
J-1-8	08057SW-1111	Washer (@6)			O	4	
J-1-9	12012PM-A001	Spool Holder				6	
J-1-10	12052SF-A001	Spool Sponge				6	
J-1-11	12009SC-A001	Spool Post				6	
J-1-12	18049SW-3111	Washer (@5)			O	6	
J-1-13	18048SW-3115	Spring Washer (@5)			O	6	
J-1-14	18083SN-3211	Nut (M5)			O	6	

Note

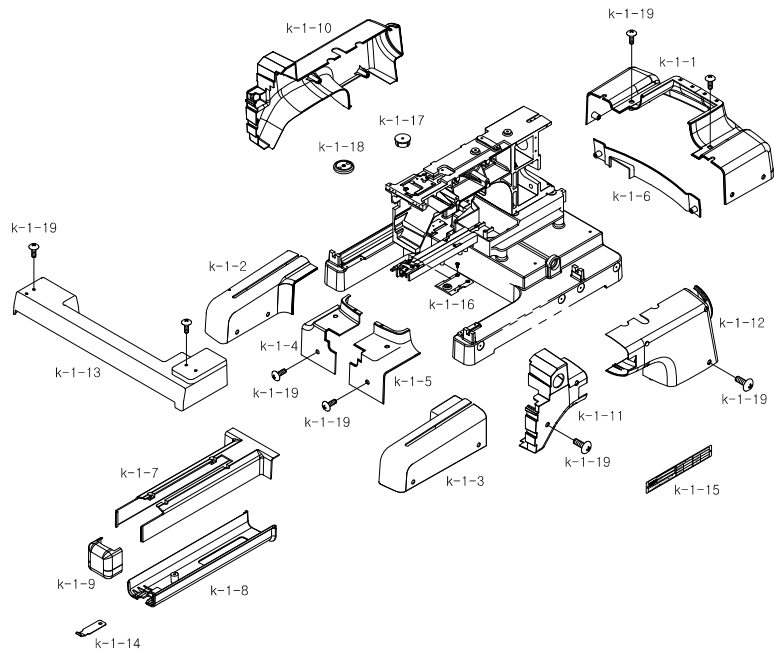




## Accessories Mechanism



# K-1

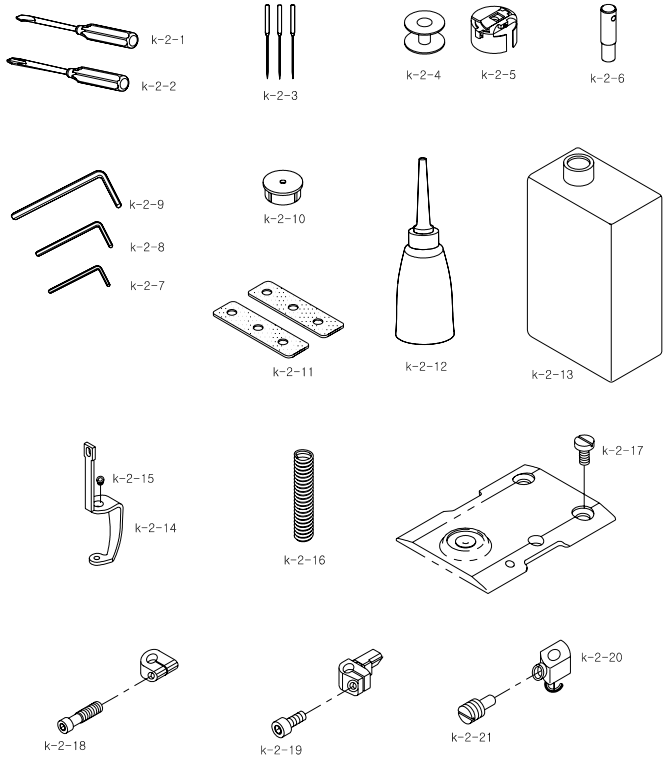


## Note

Ref.No	Part No.	Part Name	Applied Period	Interchangeability	Hardware	Qty	Remark
K-1-1	GP-016912-00	Body Cover C				1	
K-1-2	GP-016910-00	Body Cover L-A				1	
K-1-3	GP-016913-00	Body Cover R-A				1	
K-1-4	GP-016911-00	Body Cover L-B				1	
K-1-5	GP-016914-00	Body Cover R-B				1	
K-1-6	GP-016915-00	Body Cover D				1	
K-1-7	GP-016908-00	Bed Cover A				1	
K-1-8	GP-016909-00	Bed Cover B				1	
K-1-9	GP-016907-00	Hook Cover	~ Apr.26.07	O		1	
	GP-016907-01	Hook Cover	Apr.27.07 ~	O		1	
K-1-10	GP-016916-00	Arm Cover L				1	
K-1-11	GP-016917-00	Arm Cover R-A				1	
K-1-12	GP-016918-00	Arm Cover R-B				1	
K-1-13	GP-016934-01	X-Driving Motor Cover				1	
K-1-14	GP-005577-00	Hook Cover Spring	~ Apr.26.07	O		1	
	GP-005577-01	Hook Cover Spring	Apr.27.07 ~	O		1	
K-1-15	GP-022856-00	Name Plate				1	
K-1-16	GP-031038-00	Needle Plate		X		1	
	GP-031038-01		May.13,10 ~				
	GP-031038-02		Jun.14,10 ~				
K-1-17	GP-022300-00	Screw Cover Cap				40	
K-1-18	GP-031039-00	Needle Guide Plate			O	1	
K-1-19	18153SC-3123	Plus Screw(M4*L10)				42	



# K-2



Note

Ref.No	Part No.	Part Name	Applied Period	Interchangeability	Hardware	Qty	Remark
K - 2 - 1	26004ET - A001	(-)Driver(L)				1	
K - 2 - 2	26008ET - A001	(+)Driver				1	
K - 2 - 3	05037DB - A001	Needle (DB - K5,#11)				10	
K - 2 - 4	04035AF - A001	Bobbin				2	
K - 2 - 5	04034AF - A002	Bobbin Case				1	
K - 2 - 6	27066CW - T121	Wire Tension Adjusting Box Spanner				1	
K - 2 - 7	26016ET - A001	L - Shape Wrench (2.5mm)				1	
K - 2 - 8	26017ET - A001	L - Shape Wrench (3mm)				1	
K - 2 - 9	26018ET - A001	L - Shape Wrench (4mm)				1	
K - 2 - 10	GP - 022300 - 00	Screw Cover Cap				5	
K - 2 - 11	05021SF - A001	Needle Bar Felt				2	
K - 2 - 12	GP - 009906 - 00	Oiler				1	
K - 2 - 13	26030ET - UK01	Oil Can				1	
K - 2 - 14	05024PR - CT01	Presser Foot L=95				1	
K - 2 - 15	05031AF - A001	Presser Foot Guide Bush				1	
K - 2 - 16	05017AF - T121	Presser Foot Pressure Spring				1	
K - 2 - 17	04004AF - A001	Needle Plate Screw				2	
K - 2 - 18	05026SC - 4113	Stopper Screw				2	
K - 2 - 19	05028SC - 4113	Holder Screw				2	
K - 2 - 20	AS - 007679 - 00	Needle Fixed Holder				1	
K - 2 - 21	05363SC - A001	Needle Fixed Screw (A/S)				2	



# L. Index

Part No.	Part Name	Page	Ref.No
01002300T000	Oil Tube Pin	15	A-5-2
01012MP-T121	Upper Shaft Bushing (F)	11	A-1-8
01014SF-T121	Felt	11	A-1-10
01016CM-T902	Take-up Lever Driving Cam	11	A-1-1
01017CW-T121	Cam Screw (9/32N=28L=17)	11	A-1-2
01018SC-4515	Screw (15/64"N=28 L=7.5)	11	A-1-3
01019SC-4515	Hex. Socket Set Screw (1/4" N=40 L=4.5)	11	A-1-4
01020FH-T902	Needle Bar Crank	11	A-1-7
01021FH-T121	Crank Rod	26	C-3-2
01022BR-T121	Needle Bearing (KT8128)	26	C-3-3
01023CW-T121	Screw9/64"N=40	26	C-3-4
01029BR-A001	Bearing(6004ZZ)	11	A-1-14
02001600T000	Collar	13	A-3-9
02002SC-7119	PLUSS SCREW (M4*L8)	53	I-1-12
02002SC-7119	Screw (M4*L8)	56	J-1-4
02004BR-T121	Lower Shaft Washer(@8)	13	A-3-3
02004BR-T121	Hook Shaft Bearing Washer	24	C-1-11
02009SC-A001	Side Cover Screw	44	G2-1-14
02009SC-A001	Screw (9/64 n=40,L6)	44	G2-1-16
02009SC-A001	Side Cover Screw	44	G2-1-18
02010SC-3123	Screw (M4*L10)	17	A-7-9
02010SC-3123	Truss Screw(M4*L8)	30	D-2-16
02010SC-3123	Truss Screw (M4*L8)	49	H-3-10
02010SC-3123	Screw (M4*L8)	54	I-2-8
02010SC-3123	Truss Screw(M4*L8)	57	J-2-13
02015BR-T121	Bearing(6201ZZ)	13	A-3-8
02015SC-7113	Hex.Socket Bolt(M4*L10)	15	A-5-20
02015SC-7113	Hex. Socket Bolt(M4*L10)	24	C-1-12
02015SC-7113	Hex.Socket Bolt(M4*L10)	27	C-4-3
02015SC-7113	HEX.SOCKET BOLT(M4*L10)	45	G2-2-19
02015SC-7113	Hex.Socket Bolt(M4*L10)	47	H-1-8
02023SC-7113	Hex.Socket Bolt (M4*L8)	36	F-1-4
02023SC-7113	Hex.Socket Bolt (M4*L8)	38	F-3-10
02023SC-7113	Screw(M4*L8)	42	G1-2-14
02023SC-7113	Hex.Socket Bolt (M4*L8)	45	G2-2-25
02023SC-7113	Plus Screw (M4*L8)	54	I-2-11
03-0000-EMB1	Head On/Off S/W Board 6C,12C	54	I-2-12
03000800C000	Presser Foot Driving Bush	12	A-2-1
03000900T000	Bearing Collar	11	A-1-15
03002700T000	Bearing Collar	19	B-1-8
03004400A000	Needle Bar Drive Bearing Bush	25	C-2-13
03004SC-4517	Screw(15/64-28, L=14)	11	A-1-9
03004SC-4517	Screw (15/64" N=28,L=14)	15	A-5-9
03004SC-4517	Screw(15/64-28, L=14)	16	A-6-8
03006MC-3123	Truss Ssrew (M3*L6)	25	C-2-10-12
03006MC-T902	Truss Screw (M3*L6)	53	I-1-5
03007600C000	Driving Lever(Small)	24	C-1-7
03008500C000	Foot Driving Connecting Link	26	C-3-5
03010SR-4013	C-Ring(@47)	11	A-1-21
03013BR-T121	Bearing(6204ZZ)	11	A-1-22
03016SC-4113	Hex. Socket Set Screw(M5XL15)	24	C-1-3
03016SC-4113	Hex. Socket Bolt (M5*L15)	34	E-3-7
03022SC-4517	Screw (M4*L5)	12	A-2-3

Part No.	Part Name	Page	Ref.No
03022SC-4517	Hex.Socket Set Screw(M4*L5)	19	B-1-7
03022SC-4517	Hex. Socket Set Screw(M4*L5)	24	C-1-6-4
03022SC-4517	Hex. Socket Set Screw(M4*L5)	34	E-3-2-15
03026SW-9115	Spring Washer (@6)	48	H-2-11
03026SW-9115	Spring Washer (@6)	56	J-1-7
03030ET-T902	Sticker	17	A-7-10
03031SN-A001	Nut (11/64,N=40)	53	I-1-10
03038FH-CT01	Needle bar Driving Shaft Driver	25	C-2-10-6
03040BM-CT01	Needle Bar Reciprocator Set	25	C-2-10
03041PR-CT01	Driver Link Plate	25	C-2-10-1
03042SF-T121	Felt "A"	25	C-2-11
03043SP-CT01	Jump Spring	25	C-2-10-5
03045PR-CT01	Stopper Bracket	25	C-2-10-7
03046CW-B001	Jump Spring Guide	25	C-2-10-4
03046SC-8118	Plus Screw (M2.6*L4)	25	C-2-10-9
03047PM-CT01	Reciprocator Stopper	25	C-2-10-8
03048SW-B001	Reciprocator Washer	25	C-2-10-2
03051BR-A001	Ball Bearing 689 (Ntn)	25	C-2-12
03056CL-B001	Reciprocator Stopper	26	C-3-10
03057SC-T121	Plus Screw (11/64,40,L12)	26	C-3-11
03064LM-T902	LM Guide Block Set (6C)	32	E-1-3
03065SC-A001	Pront Cover Screw	26	C-3-16
03071SC-7113	Hex.Scoket Bolt(M3*L10)	15	A-5-23
03071SC-7113	Hex.Socket Bolt (M3*L10)	38	F-3-9
03071SC-A001	Hex.Scoket Bolt (M3*L15)	32	E-1-4
03073CM-CT01	Presser Foot Driving Cam	11	A-1-11
03078BR-CT01	Roller Bearing Iko Cfs4	24	C-1-8
03083FH-CT01	Presser Foot Driving Lever (L)	26	C-3-1
03086SC-CT01	Connecting Link Stud Screw A	26	C-3-6
03087SC-CT01	Connecting Link Stud Screw B	26	C-3-7
03090PR-CT01	Foot Reciprocator Bracket	25	C-2-1
03091PM-CT01	Foot Reciprocator Bracket B/S	25	C-2-2
03092AD-CT01	Presser Foot Reciprocator	25	C-2-3
03093CW-CT01	Presser Foot Reciprocator B/S	25	C-2-4
03095RB-CT01	Presser Foot Stopper	25	C-2-5
03099SP-CT01	Presser Foot Return Spring	25	C-2-14
03103900C000	Needle Bar Driving Shaft Bush	25	C-2-10-13
03204100A000	Needle Bar Driving Shaft	25	C-2-9
03707300A000	Collar	13	A-3-4
04004AF-A001	Screw	13	A-3-10
04004AF-A001	Screw For Needle Plate	29	D-1-9
04004AF-A001	Needle Plate Screw	60	K-2-17
04005BM-T121	Take-Up Driving Lever(A) Set	24	C-1-6
04006CA-T121	Take-Up Driving Lever(A)	24	C-1-6-1
04010BR-CT01	Roller Bearing Iko Cfs4V	24	C-1-6-2
04010MC-7113	Screw (M4*L10)	17	A-7-5
04010MC-7113	Hex.Socket Bolt(M4*L10)	19	B-1-20
04010MC-7113	Hex.Socket Bolt(M4*L10)	20	B-2-8
04010MC-7113	Hex.Socket Bolt(M4*L10)	21	B-3-5
04010MC-7113	Hex.Socket Bolt(M4*L10)	22	B-4-7
04010MC-7113	Screw(M4*L10)	30	D-2-12
04010MC-7113	Screw (M4*L10)	41	G1-1-12
04010MC-7113	Screw (M4*L10)	42	G1-2-4

Part No.	Part Name	Page	Ref.No
04010MC-7113	Screw (M4*L10)	53	I-1-3
04010MC-7113	Screw (M4*L10)	57	J-2-6
04012AF-A001	Screw(15/64-28)	11	A-1-12
04012AF-A001	Screw(15/64-28)	11	A-1-16
04012AF-A001	Hex.Socket Set Screw 15/64-28(606255)	19	B-1-9
04012AF-A001	Screw 15/64-28(606255)	26	C-3-12
04012AF-A001	Screw (15/64-N28)	34	E-3-2-5
04012SR-4013	C-Ring (@32)	13	A-3-7
04014SC-4517	Screw (M5*L5)	34	E-3-2-22
04014SC-4517	Screw(M5*L5)	36	F-1-8
04016BM-T902	Take-Up Driving Base Set	24	C-1-2
04017BM-T121	Take-Up Driving Lever (B) Set	24	C-1-1
04017CA-T121	Take-Up Driving Lever (B)	24	C-1-1-1
04019CW-T121	Pin Stud Screw	24	C-1-1-2
04020AF-T121	Roller For Take-Up Gear-B	24	C-1-1-3
04021BR-T121	Needle Bearing Kt367N (Iko)	24	C-1-1-4
04032SN-A001	Nut (M8)	37	F-2-8
04034AF-A002	Bobbin Case	41	G1-1-3
04034AF-A002	Bobbin Case	60	K-2-5
04035AF-A001	Bobbin	41	G1-1-2
04035AF-A001	Bobbin	60	K-2-4
05000002U000	C/C Roller Base Set	34	E-3-1
05007SC-7113	Hex.Socket Bolt(M3*L5)	30	D-2-15
05008AF-T121	Needle Bar Return Spring	33	E-2-1-2
05008SC-4113	Hex.Socket Bolt(M4*L16)	39	F-4-1
05011RB-T121	Needle Bar Cushion Rubber	33	E-2-1-3
05014SC-7113	Screw (M4*L25)	33	E-2-1-4
05015CW-A001	Head Base Pin(@5*L15)	33	E-2-1-5
05016SN-1211	Hex.Nut (M4)	24	C-1-10
05017AF-T121	Presser Foot Pressure Spring	33	E-2-1-6
05017AF-T121	Presser Foot Pressure Spring	60	K-2-16
05018CW-T902	Needle Bar	33	E-2-1-7
05019SC-A001	Needle Bar Cover Screw (M5*L6)	33	E-2-1-8
05021PM-H001	Presser Foot Spring Guide	33	E-2-1-9
05021SF-A001	Felt	33	E-2-1-10
05021SF-A001	Needle Bar Felt	60	K-2-11
05022SW-A001	Spring Shoe Washer	33	E-2-1-11
05023PM-H001	Presser Foot Holder Set	33	E-2-1-12
05024PR-CT01	Presser Foot L=95	60	K-2-14
05024PR-T902	Presser Foot L=95	33	E-2-1-13
05026SC-4113	Upper Dead Center Stopper Screw	33	E-2-1-14
05026SC-4113	Stopper Screw	60	K-2-18
05026SC-H001	Presser Foot Holder Screw	33	E-2-1-15
05027FU-T902	Needle Bar Holder	33	E-2-1-17
05027PR-H001	Presser Foot Holder Washer	33	E-2-1-16
05028SC-4113	Holder Screw	33	E-2-1-18
05028SC-4113	Holder Screw	60	K-2-19
05031AF-A001	Presser Foot Guide Bush	33	E-2-1-19
05031AF-A001	Presser Foot Guide Bush	60	K-2-15
05031PM-CT06	Needle Bar Guide Rail (6C)	33	E-2-1-21
05035RB-A001	Presser Foot Cushion Rubber"A	33	E-2-1-25
05037DB-A001	Needle (DB-K5,#11)	33	E-2-1-27



# L. Index

Part No.	Part Name	Page	Ref.No
16067CW-CT01	Screw for Y-Guide Shaft Stopper	19	B-1-24
17012SC-8329	Screw (M4*L16)	29	D-1-2
18009EL-WH06	U.T.C Board	54	I-2-7
18014SW-3115	Spring Washer(@4)	15	A-5-21
18014SW-3115	Spring Washer (@4)	17	A-7-6
18014SW-3115	Spring Washer(@4)	19	B-1-21
18014SW-3115	Spring Washer(@4)	20	B-2-9
18014SW-3115	Spring Washer(@4)	22	B-4-8
18014SW-3115	Spring Washer (@4)	27	C-4-4
18014SW-3115	Spring Washer(@4)	30	D-2-13
18014SW-3115	Spring Washer (@4)	34	E-3-2-17
18014SW-3115	Spring Washer (M4)	42	G1-2-5
18014SW-3115	Spring Washer (@4-No2)	45	G2-2-26
18014SW-3115	Spring Washer (@4)	57	J-2-7
18014SW-3115	Spring Washer (@4)	41	G1-1-13
18015SW-3111	Washer(@4)	15	A-5-22
18015SW-3111	Washer (@5)	17	A-7-7
18015SW-3111	Washer(@4)	19	B-1-22
18015SW-3111	Washer(@4)	20	B-2-10
18015SW-3111	Washer(@4)	22	B-4-9
18015SW-3111	Washer (@4)	24	C-1-9
18015SW-3111	Washer (@4)	27	C-4-5
18015SW-3111	Washer(@4)	30	D-2-14
18015SW-3111	Washer (@4)	34	E-3-2-18
18015SW-3111	Washer (M4)	36	F-1-5
18015SW-3111	Washer (@4)	41	G1-1-14
18015SW-3111	Washer (M4)	42	G1-2-6
18015SW-3111	Washer (4@)	45	G2-2-27
18015SW-3111	Washer (@4)	57	J-2-8
18047SC-7113	Screw (M5*L15)	16	A-6-4
18048SW-3115	Spring Washer (@5)	16	A-6-5
18048SW-3115	Spring Washer(M5)	24	C-1-4
18048SW-3115	Spring Washer(M5)	25	C-2-6
18048SW-3115	Spring Washer(M5)	26	C-3-8
18048SW-3115	Spring Washer (5@)	34	E-3-1-2
18048SW-3115	Spring Washer (@5)	34	E-3-8
18048SW-3115	Spring Washer (M5)	36	F-1-10
18048SW-3115	Spring Washer (M5)	37	F-2-10
18048SW-3115	SPRING WASHER (5@)	45	G2-2-2
18048SW-3115	Spring Washer (@5)	48	H-2-14
18048SW-3115	Spring Washer (@5)	56	J-1-13
18049SW-3111	Washer (@5)	16	A-6-6
18049SW-3111	Washer(M5)	24	C-1-5
18049SW-3111	Washer (M5)	36	F-1-11
18049SW-3111	Washer (M5)	37	F-2-11
18049SW-3111	WASHER (@5)	45	G2-2-3
18049SW-3111	Washer (@5)	48	H-2-15
18049SW-3111	Washer (@5)	56	J-1-12
18083SN-3211	Nut(M5)	19	B-1-19
18083SN-3211	Hex.Nut (M5)	24	C-1-6-3
18083SN-3211	Hex.Nut (M5)	34	E-3-1-3
18083SN-3211	Nut (M5)	36	F-1-12
18083SN-3211	Nut (M5)	37	F-2-12

Part No.	Part Name	Page	Ref.No
18083SN-3211	Nut (M5)	56	J-1-14
18111CW-A001	Frame Tension Adjusting Bolt	39	F-4-6
18153SC-3123	Hex.Socket Bolt (M4*L10)	44	G2-1-2
18153SC-3123	Plus Screw(M4*L10)	59	K-1-19
22000001EA00	Frame Connecting Plate	38	F-3-1
22006SC-7113	HEX. SOCKET BOLT (M3*L8)	45	G2-2-28
26004ET-A001	(-)Driver(L)	60	K-2-1
26008ET-A001	(+)Driver	60	K-2-2
26016ET-A001	L-Shape Wrench (2.5mm)	60	K-2-7
26017ET-A001	L-Shape Wrench (3mm)	60	K-2-8
26018ET-A001	L-Shape Wrench (4mm)	60	K-2-9
26030ET-UK01	Oil Can	60	K-2-13
27066CW-T121	Wire Tension Adjusting Box Spanner	60	K-2-6
28021SC-3123	Screw (M4*L8)	15	A-5-12
32012ET-T121	Oil Hose (L=140)	15	A-5-17
32013ET-T121	Wick (L=200)	15	A-5-10
32014PR-T121	Oil Hose Holder	15	A-5-11
32025ET-T121	Wick (L=530)	15	A-5-16
32026SF-T121	Arm Felt	15	A-5-5
32027SF-T121	Felt For Crank Rod	15	A-5-7
32028PR-T121	Felt Holder For Crank Rod	15	A-5-6
32031ET-T121	Wick (L=350)	15	A-5-18
32044ET-T121	Wick (L=435)	15	A-5-19
AS-004322-00	Head Set	33	E-2-1
AS-005187-00	Tubular Frame Attachment Assy'	39	F-4-7
AS-005420-00	Color Change Motor Set	34	E-3-2
AS-005560-00	Tension Adjusting Set	53	I-1-6
AS-006057-00	Arm, Bed	15	A-5-1
AS-006058-00	Tension Unit Set	53	I-1-1
AS-006178-00	Sub Tension Adjusting Set	53	I-1-9
AS-007116-00	Upper Shaft Timing Pulley Ass'y	17	A-7-4
AS-007679-00	Needle Fixed Holder	33	E-2-1-26
AS-007679-00	Needle Fixed Holder	60	K-2-20
BD-000291-01	Top Joint Board	47	H-1-5
BD-000291-01	Top Joint Board	51	H-5-1
BD-000381-00	Lamp Led Board(6C)	49	H-3-2
BD-000481-01	Encoder Board	47	H-1-6
BD-000482-03	Control Board	47	H-1-2
BD-000482-03	Control Board	50	H-4-1
BD-000482-04	Control Board	47	H-1-2
BD-000482-04	Control Board	50	H-4-1
BD-000482-05	Control Board	47	H-1-2
BD-000482-05	Control Board	50	H-4-1
BD-000482-06	Control Board	47	H-1-2
BD-000482-06	Control Board	50	H-4-1
BD-000482-07	Control Board	47	H-1-2
BD-000482-07	Control Board	50	H-4-1
BD-000483-00	Sensor	42	G1-2-12
BD-000483-00	Sensor Board	47	H-1-4
BE-000060-00	Timing Belt (10-S5M-525)	17	A-7-2
BE-000061-00	Timing Belt	17	A-7-3
BE-000069-00	Y-Driving Motor Belt	19	B-1-10

Part No.	Part Name	Page	Ref.No
BE-000070-00	Y-Driving Belt	22	B-4-11
BE-000084-00	X-Driving Timing Belt	38	F-3-2
BR-000102-00	Y-Driving Bearing	20	B-2-3
CA-000947-00	UPCPT-03 Cable	51	H-5-5
CA-002322-00	SMPS +24V Out Put Cable	50	H-4-10
CA-002330-00	Control Board To B/P Board Cable	50	H-4-4
CA-002337-00	Y-Motor Connecting Cable	50	H-4-3
CA-002338-02	Y-ORG, Limit Sensor Cable	50	H-4-5
CA-002339-00	Thread Cutting Motor Connector	30	D-2-4
CA-002339-00	Trim Motor Cable	50	H-4-13
CA-002340-00	Picker Motor Cable	50	H-4-12
CA-002341-00	OP-Box To Control Board Cable	50	H-4-11
CA-002342-00	Encoder To Control Board Cable	50	H-4-6
CA-002344-00	Cable	34	E-3-2-19
CA-002344-00	C/C Mptor To Joint Board Cable	51	H-5-2
CA-002345-02	Picker Motor Return Sensor Cable	50	H-4-8
CA-002346-02	Trim Motor Return Sensor Cable	50	H-4-7
CA-002347-00	X-Motor Connecting Cable	50	H-4-2
CA-002349-00	Control Board To Joint Board Cable	50	H-4-9
CA-002349-00	Control Board To Joint Board Cable	51	H-5-7
CL-000097-00	Collar	11	A-1-19
DUAL-ONE-18	Half Turn Sensor To Joint Board Cable	51	H-5-4
DUAL-ONE-19	Potentiometer To Joint Board Cable	51	H-5-3
DUAL-ONE-20	WIPER RETURN SENSOR Connector	45	G2-2-36
DUAL-ONE-38	Jump Solenoid To Joint Board	51	H-5-6
EP-000034-00	Jumping Sol. Set	27	C-4-1
EP-000035-00	Main Motor (AXHM5100K-A)	16	A-6-1
EP-000200-00	Code Wheel	11	A-1-18
GP-002446-00	Arm Front Cover (L)	26	C-3-14
GP-002448-00	Guide Plate For Needle Bar Driving Shaft	26	C-3-13
GP-002541-01	Tubular Frame Holding Clip	39	F-4-8
GP-002548-00	Tubular Frame Fixing Clip Bracket(L)	39	F-4-9
GP-002549-00	Tubular Frame Fixing Clip Bracket(R)	39	F-4-10
GP-004682-00	Tension Adjusting Plate Holder	33	E-2-1-34
GP-005179-00	Thread Breakage Detecting Wheel	54	I-2-3
GP-005577-00	Hook Cover Spring	59	K-1-14
GP-005577-01	Hook Cover Spring	59	K-1-14
GP-005581-00	Tubular Frame Holder "B"(R)	39	F-4-11
GP-005582-00	Tubular Frame Holder "B"(L)	39	F-4-12
GP-006007-00	DRIVING LINK	45	G2-2-14
GP-006252-00	Color Change Bushing	34	E-3-2-7
GP-008323-00	Jumping Sol Braket	27	C-4-2
GP-008332-00	Upper Thread Catcher Guide Set	44	G2-1-1
GP-008505-00	Arm Front Cover (R)	26	C-3-15
GP-008572-00	INDIGATOR	17	A-7-8
GP-009852-01	Lamp Cover Stud	49	H-3-3
GP-009854-01	Lamp End Bracket (L)	44	G2-1-3
GP-009858-01	Lamp End Bracket (R)	44	G2-1-4
GP-009859-00	Lamp Driving Link	49	H-3-5
GP-009906-00	Oiller	60	K-2-12
GP-010240-00	Sticker	44	G2-1-19
GP-015043-00	Lamp Cover (6C)	49	H-3-4
GP-015101-00	Head	33	E-2-1-1

# L. Index

Part No.	Part Name	Page	Ref.No
GP-015101-01	Head	33	E-2-1-1
GP-015101-02	Head	33	E-2-1-1
GP-015101-03	Head	33	E-2-1-1
GP-015101-04	Head	33	E-2-1-1
GP-016499-00	Hook Stopper	41	G1-1-4
GP-016499-01	Hook Stopper	41	G1-1-4
GP-016502-00	Moving Mes Connecting Link(B)	30	D-2-7
GP-016504-00	Moving Mes	29	D-1-3
GP-016504-01	Moving Mes	29	D-1-3
GP-016504-02	Moving Mes	29	D-1-3
GP-016505-00	Thread Base Cover Stud	30	D-2-10
GP-016507-00	Thread Base Ass'y	30	D-2-5
GP-016508-00	Lower Thread Hoder	29	D-1-7
GP-016511-00	Color Change Base	34	E-3-2-1
GP-016511-01	Color Change Base	34	E-3-2-1
GP-016511-02	Color Change Base	34	E-3-2-1
GP-016512-00	Picker connect plate	41	G1-1-9
GP-016512-00	Picker connect plate	42	G1-2-10
GP-016513-00	Picker Bracket	41	G1-1-7
GP-016514-00	Picker Base	41	G1-1-6
GP-016514-00	Picker Base	42	G1-2-1
GP-016515-00	Picker Motor	42	G1-2-2
GP-016516-00	Picker Return Spring	41	G1-1-8
GP-016517-00	Picker Ass'y	41	G1-1-10
GP-016518-00	Rack For Picker Moving Ass'y	42	G1-2-8
GP-016518-01	Rack For Picker Moving Ass'y	42	G1-2-8
GP-016522-00	Tubular Frame39*26(Inner)	39	F-4-13
GP-016525-00	Lower Shaft Driving Timing Pully	13	A-3-11
GP-016534-01	Sensing Plate	11	A-1-20
GP-016537-00	Board Plate A	15	A-5-13
GP-016541-00	Bracket for Main Motor	16	A-6-2
GP-016543-00	Upper Shaft Timing Pulley	17	A-7-1
GP-016544-00	Timing Pulley For Main Motor	16	A-6-3
GP-016564-00	Presser Foot Driving Bush(B)	12	A-2-2
GP-016572-00	Picker Gear	42	G1-2-7
GP-016574-00	Thread Gear	30	D-2-1
GP-016575-00	Thread Gear	30	D-2-2
GP-016583-00	Y-Guide Shaft	20	B-2-6
GP-016584-00	Y-Guide Shaft Stopper	19	B-1-23
GP-016585-00	Y-Driving Stopper	20	B-2-5
GP-016589-01	Y-Driven Pulley Bracket(L)	22	B-4-1
GP-016589-02	Y-Driven Pulley Bracket(L)	22	B-4-1
GP-016590-01	Y-Driven Pulley Bracket(R)	22	B-4-2
GP-016590-02	Y-Driven Pulley Bracket(R)	22	B-4-2
GP-016734-00	Bed cover	42	G1-2-11
GP-016735-00	Thread Gear	30	D-2-3
GP-016770-01	Y-Bearing Case	20	B-2-4
GP-016809-00	Color Change Passivity Knob Ass'y	34	E-3-2-14
GP-016811-00	Color Change Gear (L)	34	E-3-2-10
GP-016861-00	Thread Hanger Angle(A)	57	J-2-1
GP-016862-00	Thread Hanger Angle(B)	57	J-2-2
GP-016863-00	Thread Hanger Angle Bush	57	J-2-3
GP-016864-00	Thread Hanger Angle Support	57	J-2-4

Part No.	Part Name	Page	Ref.No
GP-016865-00	Thread Hanger Angle Bracket	57	J-2-5
GP-020466-00	OP Bracket Base	48	H-2-8
GP-016870-01	OP Bracket Base	48	H-2-8
GP-016872-00	OP Holder Hinge (A)	48	H-2-4
GP-016872-01	OP Holder Hinge (A)	48	H-2-4
GP-016872-02	OP Holder Hinge (A)	48	H-2-4
GP-016873-00	Arm Cover Stud Bracket	47	H-1-3
GP-016873-00	OP Holder Hinge (B)	48	H-2-3
GP-016905-00	Spool Fixing Plate	56	J-1-3
GP-016905-01	Spool Fixing Plate	56	J-1-3
GP-016906-00	Spool Plate Felt	56	J-1-2
GP-016907-00	Hook Cover	59	K-1-9
GP-016907-01	Hook Cover	59	K-1-9
GP-016908-00	Bed Cover A	59	K-1-7
GP-016909-00	Bed Cover B	59	K-1-8
GP-016910-00	Body Cover L-A	59	K-1-2
GP-016911-00	Body Cover L-B	59	K-1-4
GP-016912-00	Body Cover C	59	K-1-1
GP-016913-00	Body Cover R-A	59	K-1-3
GP-016914-00	Body Cover R-B	59	K-1-5
GP-016915-00	Body Cover D	59	K-1-6
GP-016916-00	Arm Cover L	59	K-1-10
GP-016917-00	Arm Cover R-A	59	K-1-11
GP-016918-00	Arm Cover R-B	59	K-1-12
GP-016920-00	Spool Support	56	J-1-5
GP-016921-00	Spool Plate	56	J-1-1
GP-016934-01	X-Driving Motor Cover	59	K-1-13
GP-017091-01	Color Change Motor Plate	34	E-3-2-12
GP-018374-00	Needle Bar Reciprocator	25	C-2-10-3
GP-020393-00	Tubular Frame39*26(Outer)	39	F-4-14
GP-020394-00	Sensor Braket (A)	15	A-5-14
GP-020397-01	Upper Shaft	14	A-4-1
GP-020398-00	Sensor Braket (B)	15	A-5-15
GP-020399-02	Y-Belt Presser Guide	20	B-2-7
GP-020399-03	Y-Belt Presser Guide	20	B-2-7
GP-020400-01	Y-Connecting Bracket(L)	20	B-2-1
GP-020400-02	Y-Connecting Bracket(L)	20	B-2-1
GP-020401-01	Y-Connecting Bracket(R)	20	B-2-2
GP-020401-02	Y-Connecting Bracket(R)	20	B-2-2
GP-020402-00	Y-Driving Shaft	19	B-1-5
GP-020403-01	Y-Driving Pulley	19	B-1-11
GP-020405-00	Y-Driven Shaft Holder	22	B-4-6
GP-020406-00	Y-Driven Pulley	22	B-4-4
GP-020407-01	Y-Driven Pulley Shaft	22	B-4-5
GP-020408-00	Lower Shaft	14	A-4-2
GP-020410-00	OP Holder	48	H-2-5
GP-020411-00	OP Holder Base	48	H-2-6
GP-020411-01	OP Holder Base	48	H-2-6
GP-020448-00	Upper Thread Presser Base (6C)	44	G2-1-9
GP-020463-00	Base	19	B-1-1
GP-020463-01	Base	19	B-1-1
GP-020464-00	Frame Connecting Plate(L)	21	B-3-2
GP-020464-01	Frame Connecting Plate(L)	21	B-3-2

Part No.	Part Name	Page	Ref.No
GP-020465-00	Frame Connecting Plate(R)	21	B-3-3
GP-020466-00	X-Sensor Plate	38	F-3-4
GP-020467-00	X-Sensor Bracket	21	B-3-4
GP-020467-01	X-Sensor Bracket	21	B-3-4
GP-020469-01	Y-Belt Presser	20	B-2-12
GP-020470-00	Y-Driven Pulley	19	B-1-6
GP-020471-00	Y-Motor Tension Adjusting Bracket	19	B-1-17
GP-020472-01	Y-Driven Pulley	19	B-1-14
GP-020475-00	Lower Shaft Bushing	13	A-3-1
GP-020476-00	Lower Shaft Bushing (M)	13	A-3-6
GP-020477-00	Lm Guide	21	B-3-1
GP-020478-00	Motor Bracket	36	F-1-2
GP-020479-00	Y-Motor Bracket	19	B-1-13
GP-020479-01	Y-Motor Bracket	19	B-1-13
GP-020500-00	Fixing Mes	29	D-1-6
GP-020500-01	Fixing Mes	29	D-1-6
GP-020500-02	Fixing Mes	29	D-1-6
GP-020500-03	Fixing Mes	29	D-1-6
GP-020501-00	Thread Base Cover	30	D-2-11
GP-020502-01	Moving Mes Connecting Link(A)	30	D-2-6
GP-020504-01	Needle Plate Bracket	29	D-1-1
GP-020504-02	Needle Plate Bracket	29	D-1-1
GP-021225-01	Fixing Suted for Cover	19	B-1-3
GP-022280-00	OP Holder	48	H-2-2
GP-022293-00	Tension Unit	53	I-1-2
GP-022294-00	Tension Unit Cover	54	I-2-15
GP-022296-00	Tension Spring Collar	53	I-1-6-6
GP-022299-00	Lamp Bracket (6C)	49	H-3-1
GP-022300-00	Screw Cover Cap	59	K-1-17
GP-022300-00	Screw Cover Cap	60	K-2-10
GP-022712-00	Thread Sensor Roller(B1)Set	54	I-2-5
GP-022856-00	Name Plate	59	K-1-15
GP-023046-00	Felt	13	A-3-2
GP-026769-00	Upper Shaft Timing Pulley	17	A-7-4-1
GP-026778-00	Hand Pulley For Upper Shaft	17	A-7-4-2
GP-026779-00	Cover for Hand Pulley	17	A-7-4-3
GP-026924-00	Oil Storing Box	15	A-5-3
GP-026925-00	Oil Storing Felt	15	A-5-4
GP-029521-00	Tubular Frame Rail Plate	44	G2-1-22
GP-031038-00	Needle Plate	59	K-1-16
GP-031038-01	Needle Plate	59	K-1-16
GP-031038-02	Needle Plate	59	K-1-16
GP-031039-00	Needle Guide Plate	59	K-1-18
GP-033421-00	Take-up Lever Driving Cam	11	A-1-1
GP-037692-00	Color Change Roller	34	E-3-1-4
GP-040562-00	Rotary Hook Set	41	G1-1-1
GP-044297-00	Thread Guide Shaft 6C	44	G2-1-21
GP-044297-01	Thread Guide Shaft 6C	44	G2-1-21
GP-044297-02	Thread Guide Shaft 6C	44	G2-1-21
GP-044297-03	Thread Guide Shaft 6C	44	G2-1-21
GP-044537-00	Thread Guide (M-6C) Ass'y	44	G2-1-20
MO-000041-00	Color Change Motor	34	E-3-2-13



