

PARTS BOOK



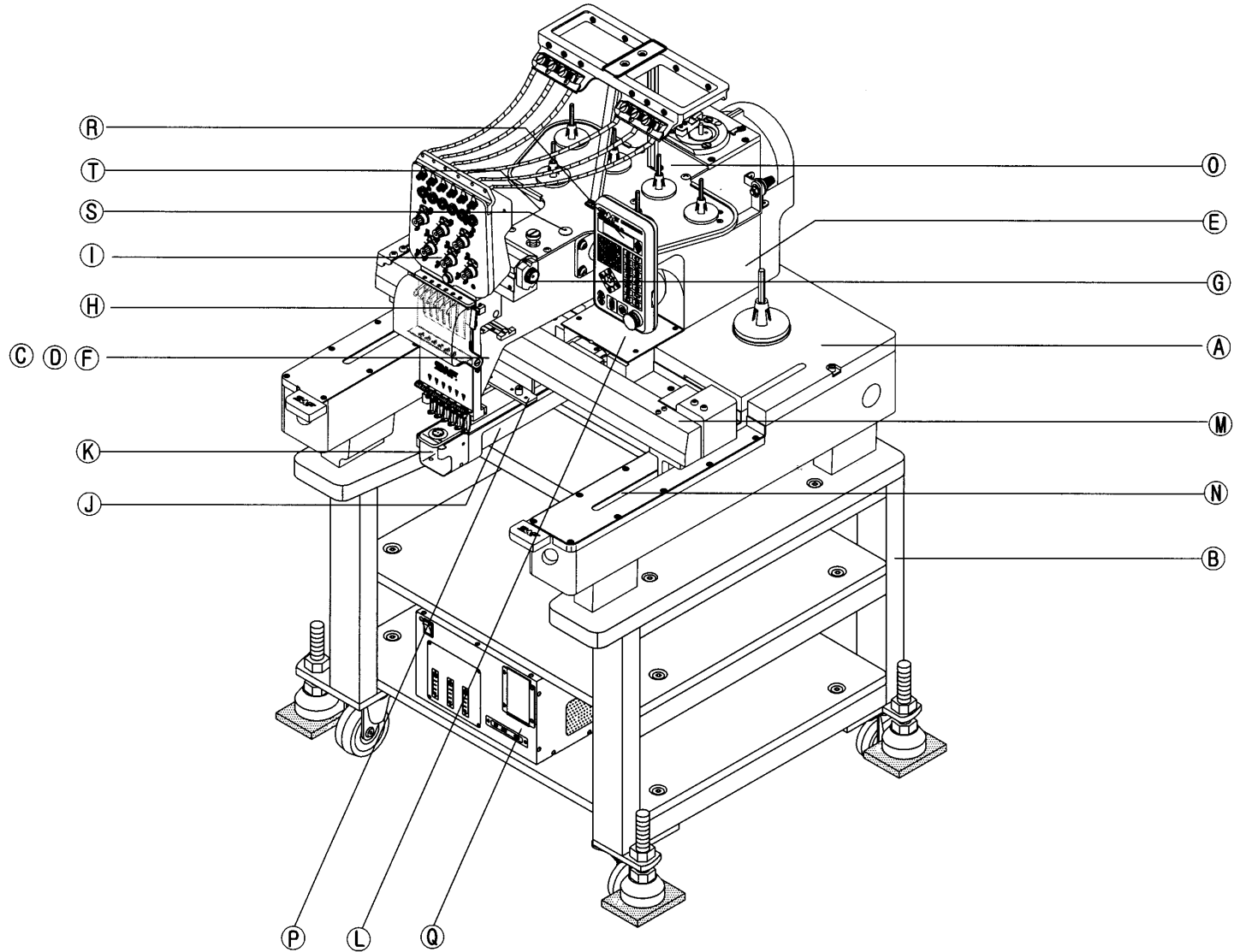
**SINGLE-HEAD AUTOMATIC
EMBROIDERY MACHINE
(COMPACT TYPE)**

SMF®

PME-090320

SunStar CO.,LTD

Machine Layout





CONTENT

A	Base & Table	7
B	Stand (Option)	9
C1	Arm I	11
D	Arm II	15
E	Main Drive System	17
F	Wiper Set	19
G	Color Change Set	21
H	Head	23
I	Thread Tension Unit	27
J	Bed	31
K	Picker	33
L	Thread Cutting Set	35
M	X-Axis Drive Set	37
N	Y-Axis Drive Set	39
O	Spool Stand	41
P	Board & Tubular Frame	43
Q	Control Box	45
R	Operation Unit	47
S	Lubrication	49
T	Lamp(Optional)	51

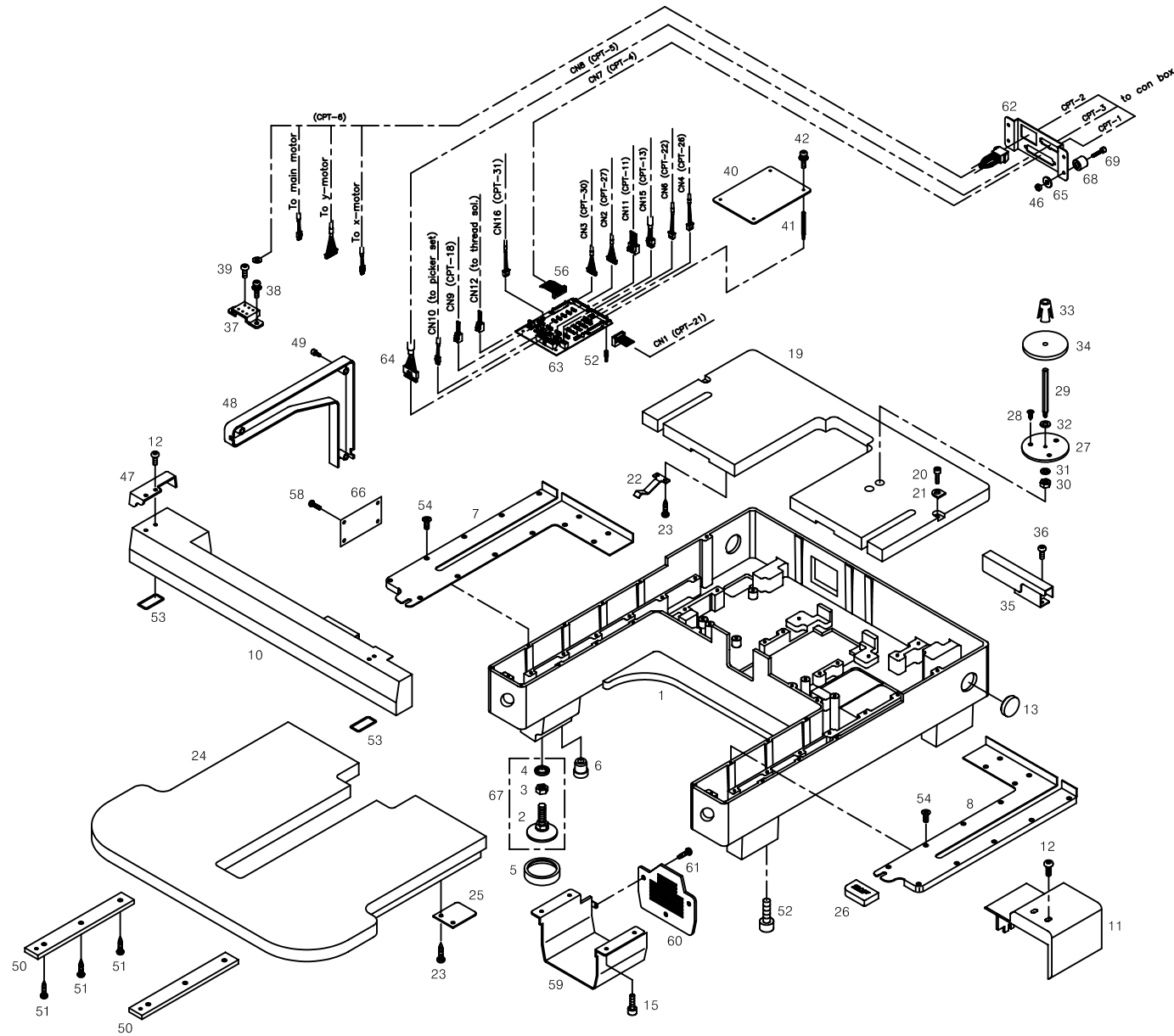
1.

가

2. Parts Book

가

1. The parts classified as ass'y items may cause damage to the machine or bad sewing when they are separately assembled.
Hence, when they are ordered, they can be purchased as ass'y items only.
2. This is a parts book. It cannot be used as a manual.

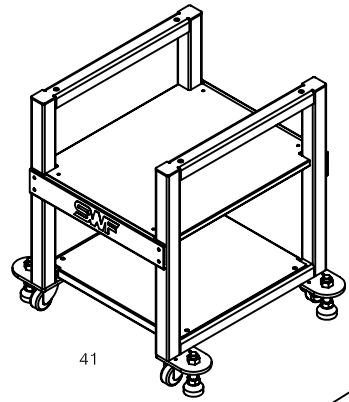


Ref. No	Part No.	Part Names	Q'ty
A-001	01001CA-CT01	Base	1
A-002	01002SC-T121	Body Bolt Set	4
A-003	14033SN-8211	Hex.Nut (M12-No2)	4
A-004	14032SW-3115	SPRING WASHER (12@)	4
A-005	01005RB-CT01	Base Support Bolt Rubber	4
A-006	01006RB-CT01	Base Support Rubber	4
A-007	02006PR-CT01	Base Cover (L)	1
A-008	02007PR-CT01	Base Cover (R)	1
A-010	02009LA-CT01	X-Driving Belt Cover	1
A-011	02010PM-CT01	X-Driving Motor Cover	1
A-012	18153SC-3123	Plus Screw (M4*L10)	4
A-013	02012RB-CT01	Y-Driving Shaft Cover	2
A-015	08076SC-7113	HEX. SOCKET BOLT (M5*L12)	4
A-016	16018SW-1111	Washer (@5)	4
A-019	17001TA-CT01	Table (A) Compact	1
A-020	08091SC-7113	HEX. SOCKET BOLT (M6*L20)	2
A-021	17003PR-CT01	Table Washer	2
A-022	14002PR-T121	Table Holder Plate "A"	2
A-023	19002SC-1330	Tapping Screw (4*L16-No1)	8
A-024	17006TA-CT01	Table (B) Compact	1
A-025	14006PR-T121	Table Support Plate (R)	2
A-026	02019RB-CT01	Base Cover Safty Rubber	2
A-027	25035PR-CT01	Supporter For Spool	1
A-028	17012SC-8329	Hex. Socket Set Screw (M4*L16)	3
A-029	12009SC-A001	Spool Post	1
A-030	12010SN-1211	Hex.Nut (M5)	1
A-031	18048SW-3115	SPRING WASHER (5@)	1
A-032	18049SW-3111	WASHER (@5)	1
A-033	12012PM-A001	Spool Holder	1
A-034	12052SF-A001	Spool Sponge	1
A-035	01007PR-CT01	Cable Guide "C"	1
A-036	18153SC-3123	Plus Screw (M4*L10)	2
A-037	01010PR-CT01	Bus Bar	1
A-038	01011SC-9134	Scrrww (M4*L8)	2
A-039	18154SC-9134	Plus Screw (M3*L8)	6
A-040	01013ET-CT01	Cable Guard Plate	1
A-041	20036SC-T121	Cover Stud	4
A-042	18154SC-9134	Plus Screw (M3*L8)	4
A-046	15029SN-3211	Hex. Nut (M4-No2)	4
A-047	02020PM-CT01	X-Driving Belt Shafty Cover	1

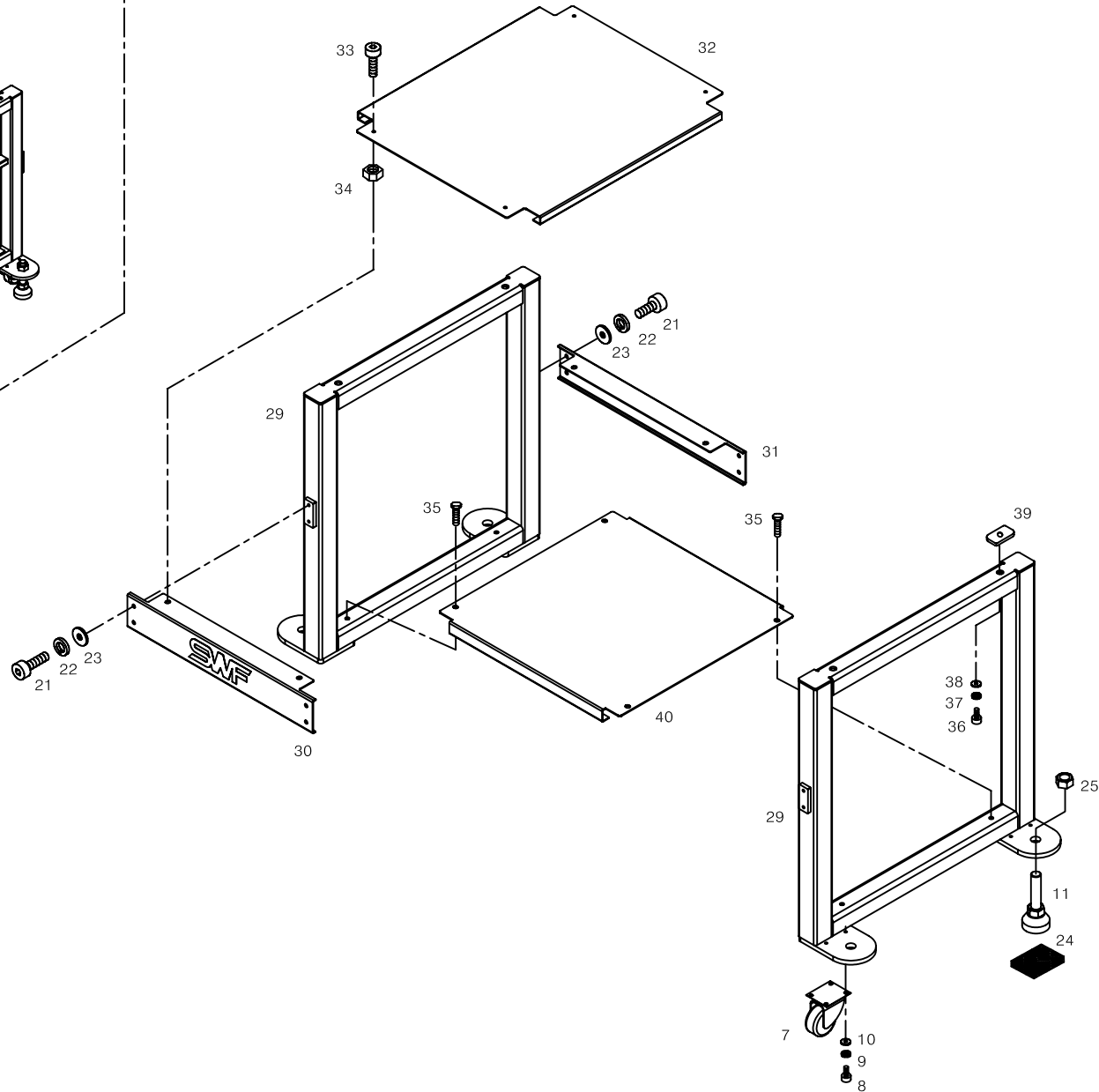
Ref. No	Part No.	Part Names	Q'ty
A-048	02021PM-CT01	Cable Cover	1
A-049	02015SC-7113	HEX.SOCKET BOLT (M4*L10)	3
A-050	GP-005629-00	Table Support Plate (L)	1
	GP-005628-00	Table Support Plate (R)	1
A-051	17012SC-8329	Hex. Socket Set Screw (M4*L16)	6
A-052	11049SC-A001	Board Stud Bolt	4
A-053	02022RB-CT01	X-Cover Rubber	2
A-054	15089SC-7119	C.S SCREW (M4*L10)	14
A-056	25004EL-CT01	M/C Bracket To J/B Con Signal	1
A-058	02010SC-3123	Truss Screw (M4*L8)	4
A-059	02014PR-CT01	Main Motor Cover Ce	1
A-060	02015PR-CT01	Main Motor Rear Cover Ce	1
A-061	02010SC-3123	Truss Screw (M4*L8)	3
A-062	01000100C000	Connector Holder	1
A-063	20033EL-CT01	Joint Board Ass'Y	1
A-064	25105EL-CT01	M/C Bracket To J/B Mc Signal	1
A-065	01000200C000	Connector Holder Washer	4
A-066	08000102C010	MODEL NAME PLATE (6C)	1
	08000103C010	MODEL NAME PLATE (9C)	
	08000104C010	MODEL NAME PLATE (12C)	
	08000105C010	MODEL NAME PLATE (15C)	
A-067	01002BM-T121	BODY SUPPORT BOLT (SET)	4
A-068	01000210C000	CONNECT HOLDER SPACE	4
A-069	11029SC-4113	HEX. SOCKET BOLT (M4*L20)	4

B

Stand (Option)



41

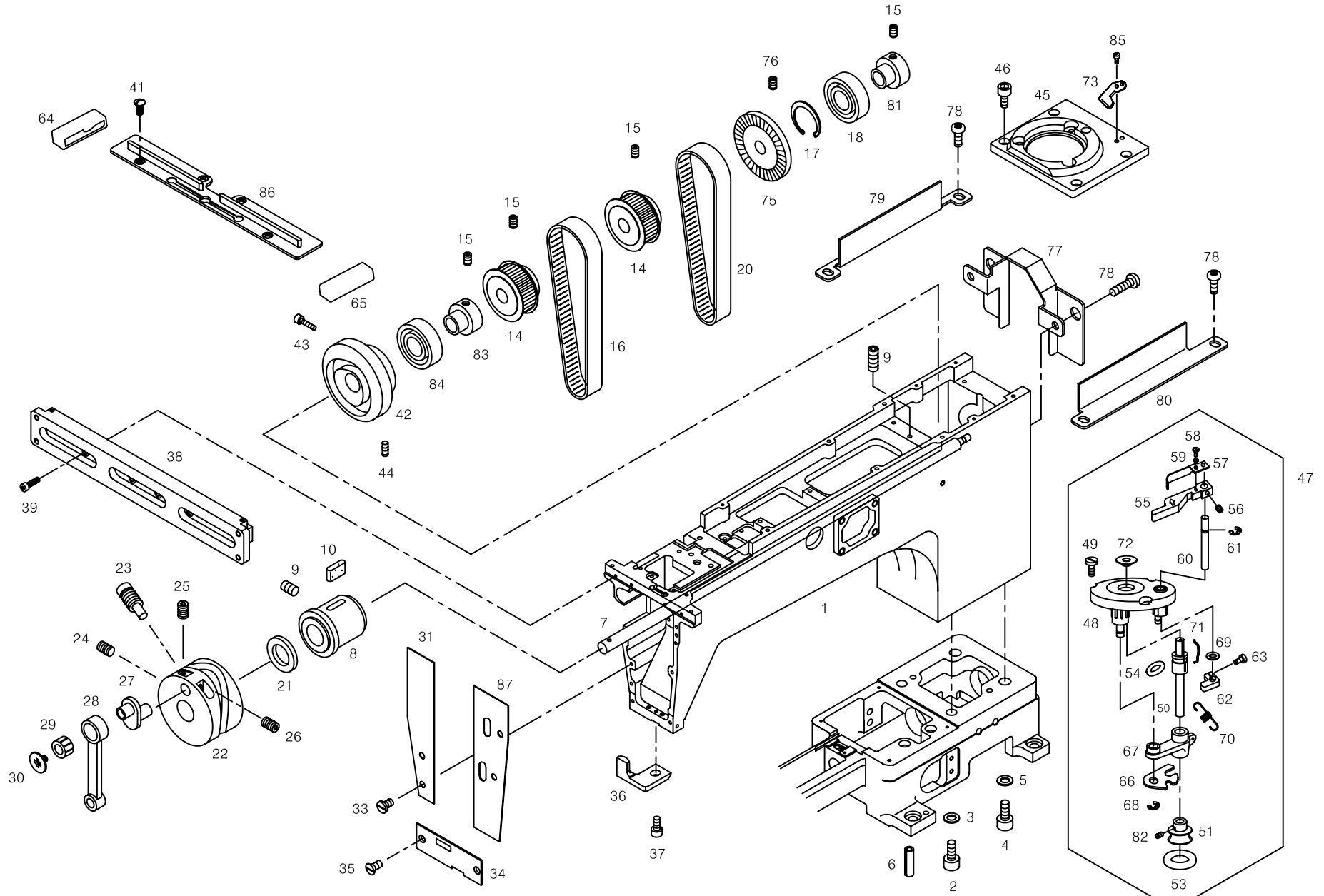


Ref. No	Part No.	Part Names	Q'ty
B-007	24007AF-T121	Hammer Caster Set (Rubber)	4
B-008	08035SC-7113	HEX. SOCKET BOLT (M6*L10)	16
B-009	16014SW-4115	Spring Washer (@6)	16
B-010	08057SW-1111	Washer (@6)	16
B-011	26012BM-T121	Bolt Set	4
B-021	08091SC-7113	HEX. SOCKET BOLT (M6*L20)	8
B-022	16014SW-4115	Spring Washer (@6)	8
B-023	08057SW-1111	Washer (@6)	8
B-024	01017RB-T121	Rubber	4
B-025	02036SN-7211	HEX. NUT (M20-NO2)	4
B-029	26100RW-CT01	STAND FRAME	2
B-030	26101PR-CT01	STAND CONNECTING BRACKET (F)	1
B-031	26102PR-CT01	STAND CONNECTING BRACKET (R)	1
B-032	26103PR-CT01	STAND TABLE (MIDDLE)	1
B-033	06010SC-7111	TRUSS SCREW (M6*L10)	4
B-034	06000MN-3111	KNURLED HEX.NUT (M6)	4
B-035	08015MC-7111	HEX.BOLT (M8*L15)	4
B-036	12035MC-4113	HEX.SOCKET BOL (M12*L35)	4
B-037	14032SW-3115	SPRING WASHER (12@)	4
B-038	14031SW-4111	WASHER (@12)	4
B-039	26026RB-CT01	BASE SUPPORTING RUBBER	4
B-040	26104PR-CT01	STAND TABLE (UNDER)	1
B-041	26001BM-CT01	STAND ASS'Y	1

Ref. No	Part No.	Part Names	Q'ty

C

Arm I

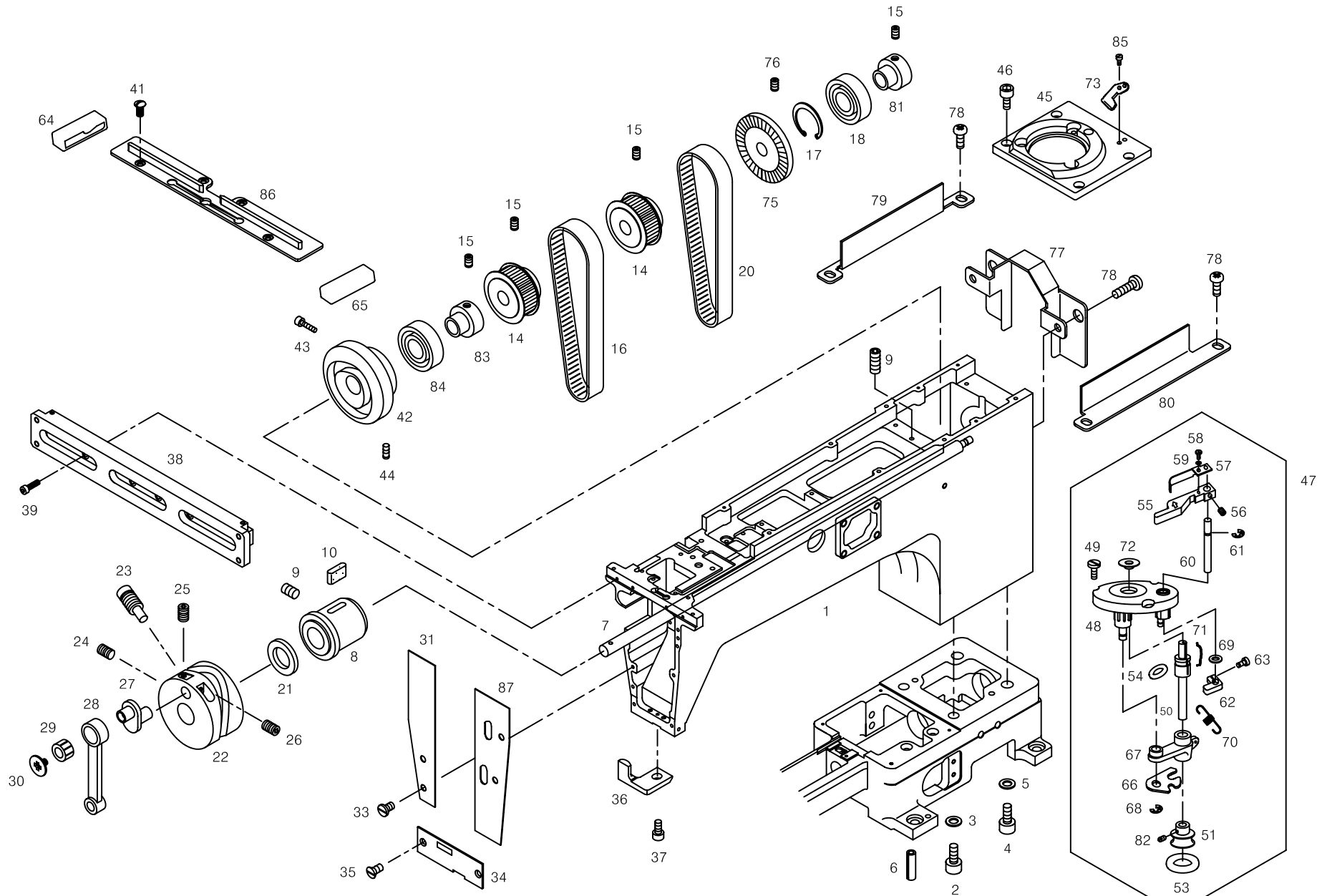


Ref. No	Part No.	Part Names	Q'ty
C-001	01001CS-CT01	Arm, Bed Set	1
C-002	—	Hex. Socket Bolt (A)(M10*L36)	2
C-003	—	Washer (@10)	2
C-004	—	Hex. Socket Bolt (B)(M12*L36)	2
C-005	—	Washer (@10)	2
C-006	01008ET-T121	Spring Pin(@6*L30)	2
C-007	03002SH-CT01	Upper Shaft	1
C-008	01012MP-T121	Upper Shaft Bush (F)	1
C-009	03004SC-4517	Screw (15/64" N=28 L=14)	2
C-010	01014SF-T121	Felt	2
C-014	01005PU-T121	Upper Shaft Timing Pulley	2
C-015	04012AF-A001	Hook Shaft Bush Screw	10
C-016	01043BT-T121	Timing Belt	1
C-017	03010SR-4013	C-Ring (@47)	1
C-018	03013BR-T121	Ball Bearing (6204Zz)	1
C-020	14015BT-CT01	Timing Belt	1
C-021	01015PR-T121	Washer	1
C-022	01016CM-T121	Take-Up Lever Driver Cam	1
C-023	01017CW-T121	Cam Screw (9/32"N=28 L=17)	1
C-024	01018SC-4515	Cam Screw(A) (15/64"N=28 L=7.5)	1
C-025	01019SC-4515	Screw (1/4" N=40 L=4.5)	1
C-026	04016AF-A001	Cam Collar Screw	1
C-027	01020FH-T121	Needle Bar Crank	1
C-028	01021FH-T121	Crank Rod	1
C-029	01022BR-T121	Needle Bearing (KT8128)	1
C-030	01023CW-T121	Crank Screw (9/64" N=40)	1
C-031	01026PR-T121	Arm Front Cover (L)	1
C-033	03065SC-A001	Guard Plate Screw	4
C-034	01030PR-T121	Guide Plate	1
C-035	05062SC-A001	Thread Guide (L) Screw	2
C-036	03056CL-B001	Head Rail Holder	1
C-037	03057SC-T121	Head Rail Holder Screw	1
C-038	03064LM-CT06	LM Guide Block Set (6C)	1
	03069LM-CT09	LM Guide Block Set (9C)	
	03068LM-T121	LM Guide Block Set (12C)	
	03069LM-T151	LM Guide Block Set (15C)	
C-039	09007SC-7113	HEX. SOCKET BOLT (M3*L12)	4
C-041	05041SC-A001	Guide Rail Screw	4
C-042	03073CM-CT01	Presser Foot Driver Cam	1
C-043	11029SC-4113	Hex. Socket Bolt (M4*L20)	1

Ref. No	Part No.	Part Names	Q'ty
C-044	04012AF-A001	Hook Shaft Bush Screw	1
C-045	25001CA-CT01	Arm Cover	1
C-046	02023SC-7113	Hex.Socket Bolt (M4*L8)	4
C-047	25003BM-CT01	Bobbin Winder Base Set	1
C-048	25003PM-CT01	Bobbin Winder Base Set	1
C-049	25004SC-CT01	Bobbin Winder Base Screw	3
C-050	25005CW-CT01	Bobbin Winder Driving Shaft	1
C-051	25006PU-CT01	Bobbin Winder Pulley	1
C-053	25008RB-CT01	Bobbin Winder Ring	1
C-054	25009RB-CT01	Bobbin Winder Operating Ring	1
C-055	25010CL-CT01	Bobbin Winder Leber	1
C-056	03022SC-4517	Hex. Socket Set Screw(M4*L5)	1
C-057	25012PR-CT01	Bobbin Winder Adjusting Plate	1
C-058	25013SC-CT01	Screw 1/8" N=44	1
C-059	06011SW-2111	Washer (@3)	1
C-060	25015CW-CT01	Bobbin Winder Leber Shaft	1
C-061	06008SW-4013	E-Ring (@5)	1
C-062	25017CL-CT01	Bobbin Winder Adjusting Cam	1
C-063	02015SC-7113	HEX.SOCKET BOLT(M4*L10)	1
C-064	07000100C000	T-UP GUIDE RAIL SIDE RUBBER L	1
C-065	07000200C000	T-UP GUIDE RAIL SIDE RUBBER R	1
C-066	25019PR-CT01	Bobbin Winder Action Plate	1
C-067	25020FH-CT01	Bobbin Winder Action Device	1
C-068	06008SW-4013	E-Ring (@5)	1
C-069	05022SW-A001	Spring Shoe Washer	1
C-070	25023SP-CT01	B/W Tension Spring	1
C-071	25024SP-CT01	Bobbin Stoper	1
C-072	25025PM-CT01	Bobbin Stand	1
C-073	25026PR-CT01	Bobbin Winder Mes	1
C-075	25043CW-CT01	Bobbin Winder Wheel	1
C-076	07009AF-4517	Hex.Socket Set Screw (M5*L6)	2
C-077	03101PR-CT01	Cable Guide "A"	1
C-078	18153SC-3123	Plus Screw (M4*L10)	6
C-079	03103PR-CT01	Cable Guide "B" L	1
C-080	03105PR-CT01	Cable Guide "B" R	1
C-081	03000900T000	Bearing Collar	1
C-082	08113SC-A001	Collar Screw	2
C-083	03000900T000	Bearing Collar	1
C-084	01029BR-A001	Ball Bearing (6004Zz)	1
C-085	02030SC-T121	Bed Cover Screw(9/64" 40)	2

C

Arm I

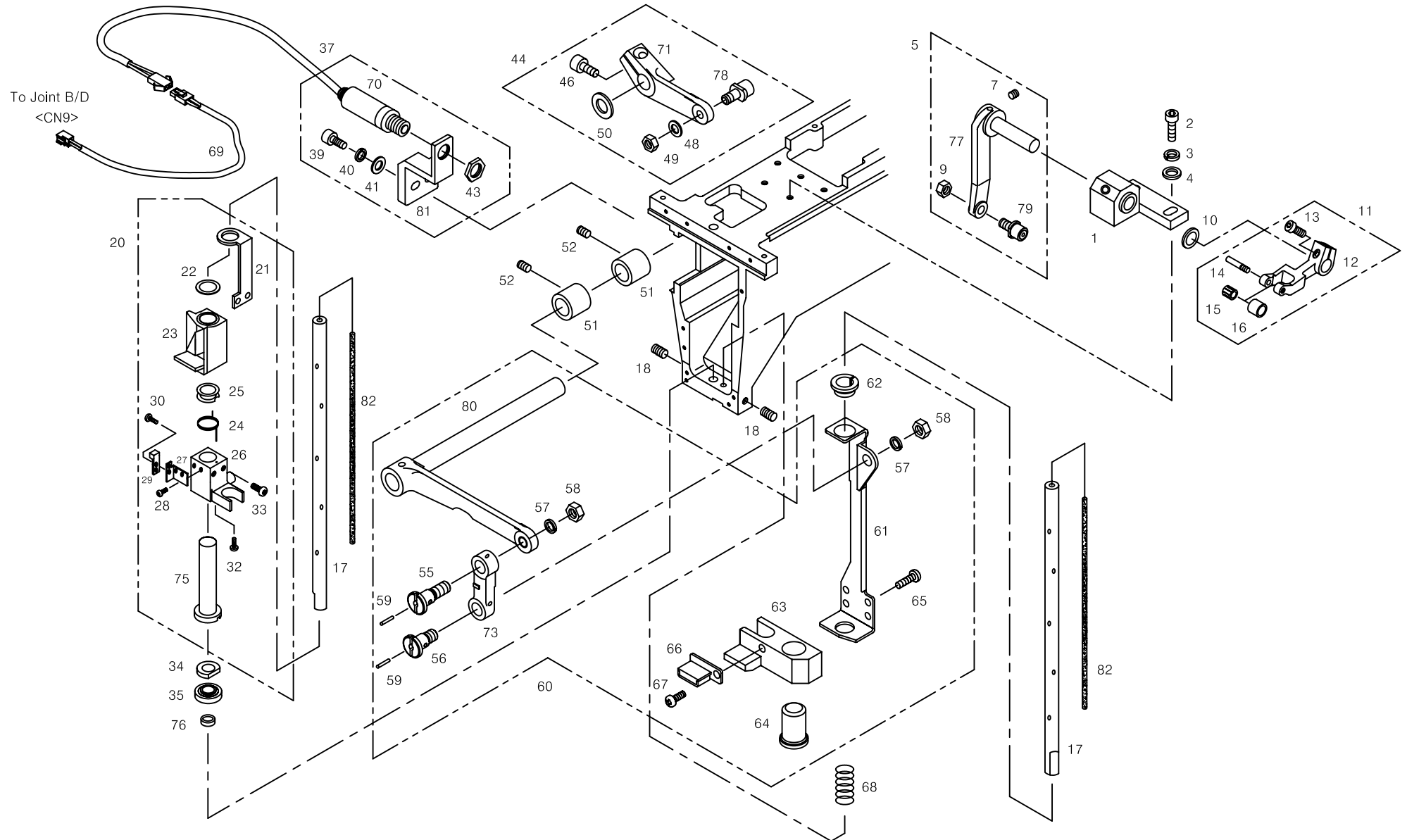


Ref. No	Part No.	Part Names	Q'ty
C-086	07000101C010	Take-Up Guide Rail (6C)	1
	07000103C010	Take-Up Guide Rail (9C)	
	07000102C010	Take-Up Guide Rail (12C)	
	07000105T010	Take-Up Guide Rail (15C)	
C-087	04000100T000	ARM FRONT COVER (R)	1

Ref. No	Part No.	Part Names	Q'ty

D

Arm II

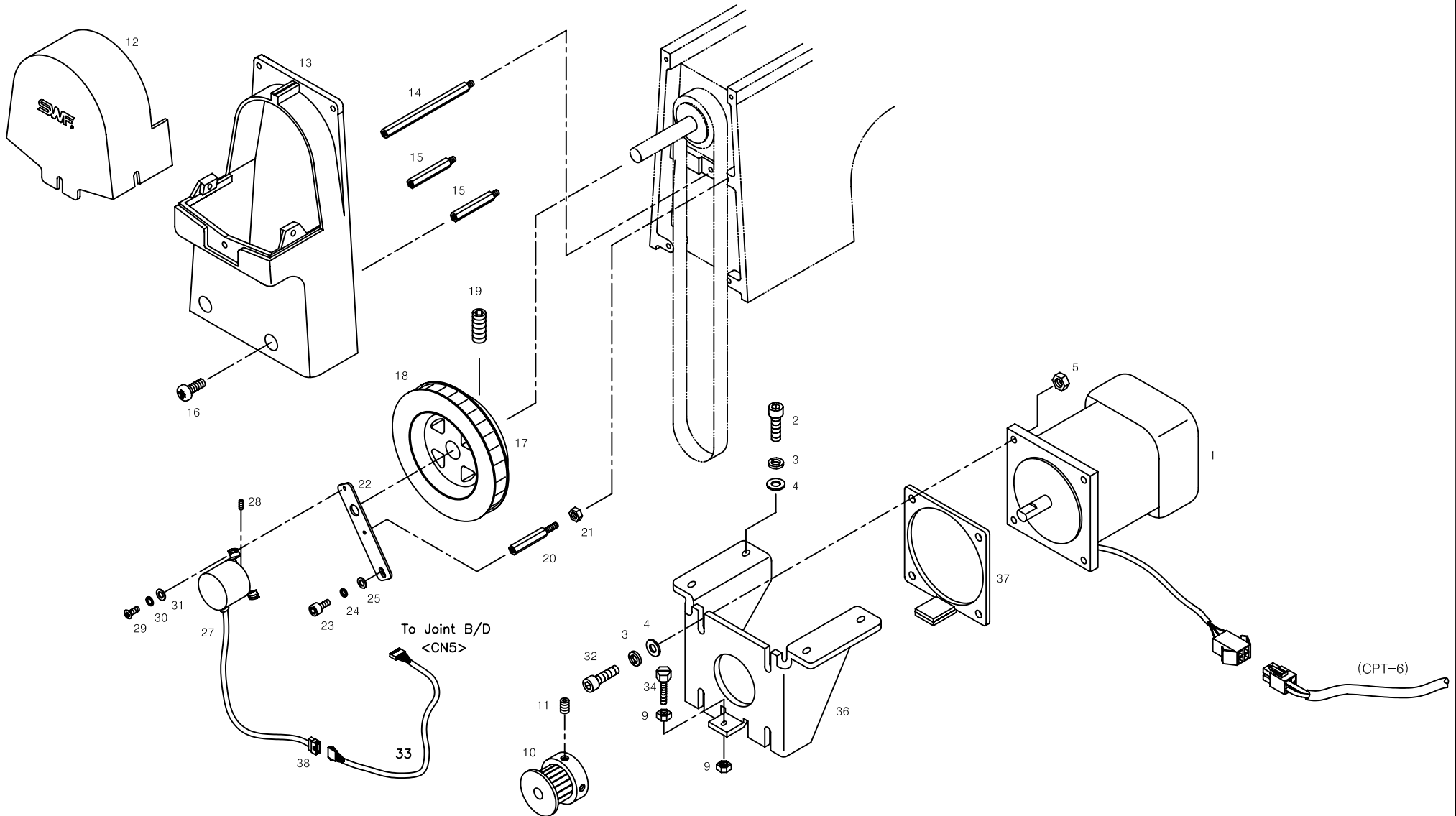


Ref.No	Part No.	Part Name	Q'ty
D-001	04016CL-T121	Take-Up Driving Base Set	1
D-002	03016SC-4113	Hex. Socket Bolt (M5*L15)	2
D-003	16018SW-1111	Washer (@5)	2
D-004	18048SW-3115	SPRING WASHER (5@)	2
D-005	04005BM-T121	Take-Up Driving Lever(A) Set	1
D-007	03022SC-4517	Hex. Socket Set Screw(M4*L5)	1
D-009	12010SN-1211	HEX.NUT (M5)	1
D-010	04014PR-T121	Washer	1
D-011	04017BM-T121	Take-Up Driving Lever(B) Set	1
D-012	04017CA-T121	Take-Up Driving Lever(B)	1
D-013	07016SC-7113	HEX.SOCKET BOLT (M4*L12)	1
D-014	04019CW-T121	Pin Stud Screw	1
D-015	04021BR-T121	Needle Bearing Kt367N (Iko)	1
D-016	04020AF-T121	Roller For Take-Up Gear-B	1
D-018	03020SC-A001	Drive Pin Screw 11/64,N40,L8	2
D-019	32013ET-T121	Wick	2
D-020	03040BM-CT01	Needle Bar Reciprocator Set	1
D-021	03041PR-CT01	Driver Link Plate	1
D-022	03048SW-A001	Reciprocator Washer	1
D-023	03049PM-CT01	Needle Bar Reciprocator	1
D-024	03043SP-CT01	Jump Spring	1
D-025	03046CW-B001	Jump Spring Guide	1
D-026	03038FH-CT01	Needlebar Driving Shaft Driver	1
D-027	03045PR-CT01	Stopper Bracket	1
D-028	07018SC-8118	PLUS SCREW (M3*L8)	2
D-029	03047PM-CT01	Reciprocator Stopper	1
D-030	03046SC-8118	Plus Screw (M3*L5)	2
D-032	03006MC-3123	TRUSS SCREW (M3*L6)	1
D-033	03006MC-8118	PLUS SCREW (M3*L6)	2
D-034	03042SF-T121	Felt "A"	1
D-035	03051BR-A001	Ball Bearing 689 (Ntn)	1
D-037	06000BM-CT01	Jumping Sol. Set	1
D-039	02015SC-7113	HEX.SOCKET BOLT(M4*L10)	2
D-040	18014SW-3115	Spring Washer (@4-No2)	2
D-041	18015SW-3111	Washer (4@)	2
D-043	—	Hex. Nut	1
D-044	03076BM-CT01	Driving Lever(Small) Set	1
D-046	02015SC-7113	HEX.SOCKET BOLT(M4*L10)	1
D-048	18015SW-3111	Washer (4@)	1
D-049	05016SN-1211	Hex.Nut (M4)	1

Ref. No	Part No.	Part Name	Q'ty
D-050	02004BR-T121	Hook Shaft Bearing Washer	1
D-052	03022SC-4517	Hex. Socket Set Screw(M4*L5)	2
D-055	03086SC-CT01	Connecting Link Stud Screw A	1
D-056	03087SC-CT01	Connecting Link Stud Screw B	1
D-057	18048SW-3115	Spring Washer (5@)	2
D-058	12010SN-1211	Hex.Nut (M5)	2
D-059	-	Wick	2
D-060	03090BM-CT01	Presser Foot Reciprocator Set	1
D-061	03090PR-CT01	Foot Reciprocator Bracket	1
D-062	03091PM-CT01	Foot Reciprocator Bracket B/S	1
D-063	03092AD-CT01	Presser Foot Reciprocator	1
D-064	03093CW-CT01	Presser Foot Reciprocator B/S	1
D-065	08006SC-8118	Plus Screw (M3*L5)	4
D-066	03095RB-CT01	Presser Foot Stopper	1
D-067	08006SC-8118	Plus Screw (M3*L5)	1
D-068	03099SP-CT01	Presser Foot Return Spring	1
D-069	25018EL-CT01	Jump Solenoid To Joint Board	1
D-070	11009EL-A000	Jumping Sol.	1
D-071	03007600C000	Presser Foot Driving Lever S	1
D-073	03008500C000	Foot Driving Connecting Link	1
D-074	03000800C000	Presser Foot Driving Bush	2
D-075	03103900C000	Needle Bar Driving Shaft Bush	1
D-076	03004400A000	Needle Bar Drive Bearing Bush	1
D-077	04006CA-T121	Take-Up Driving Lever(A)	1
D-078	03078BR-CT01	Roller Bearing Iko Cfs4	1
D-079	04010BR-CT01	Roller Bearing Iko Cfs4V	1
D-080	03083FH-CT01	Presser Foot Driving Lever (L)	1
D-081	06000110TH00	JUMP SOL BRACKET	1
D-082	03204100A000	NEEDLE BAR DRIVING SHAFT	2

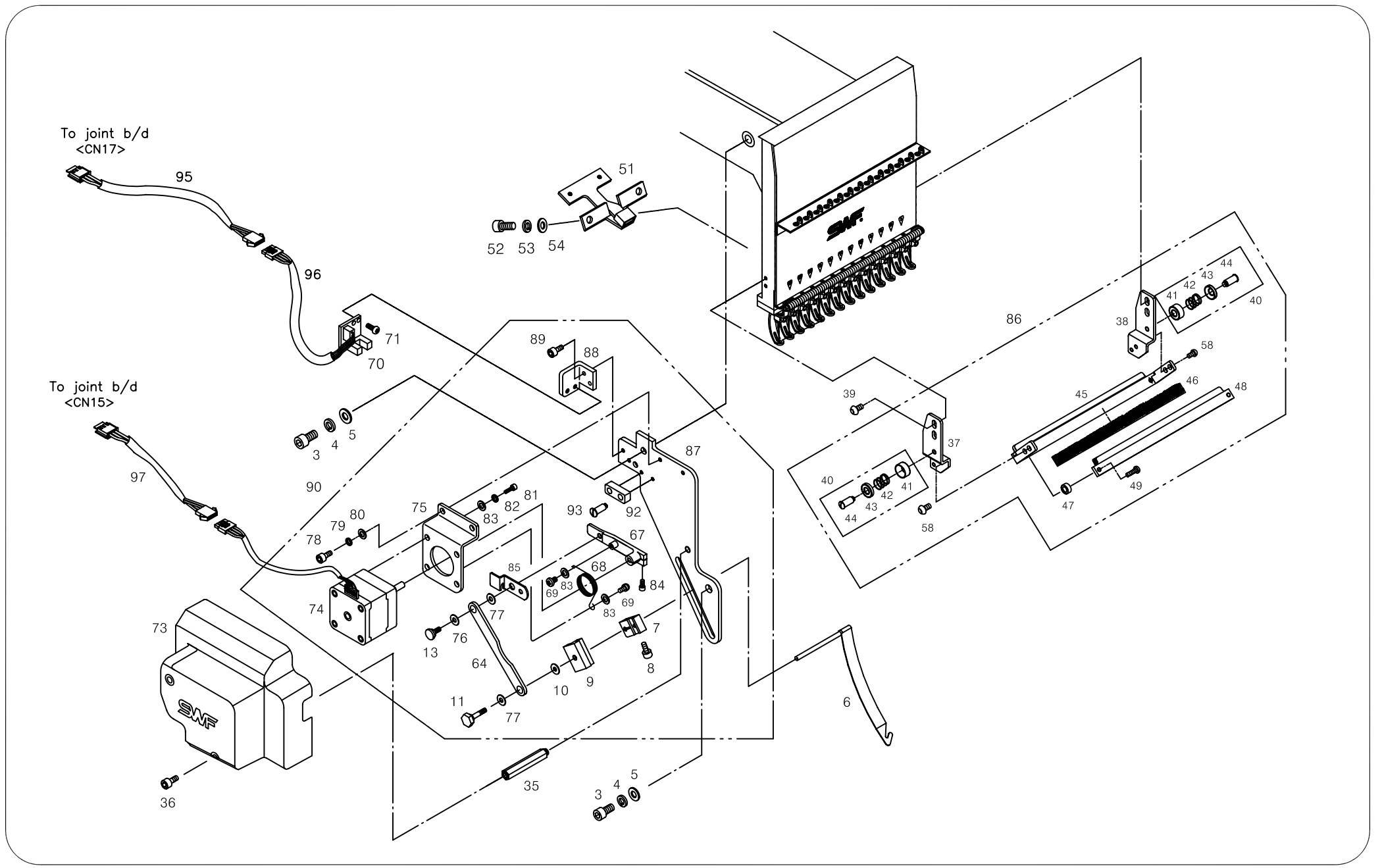
E

Main Drive System



F

Wiper Set

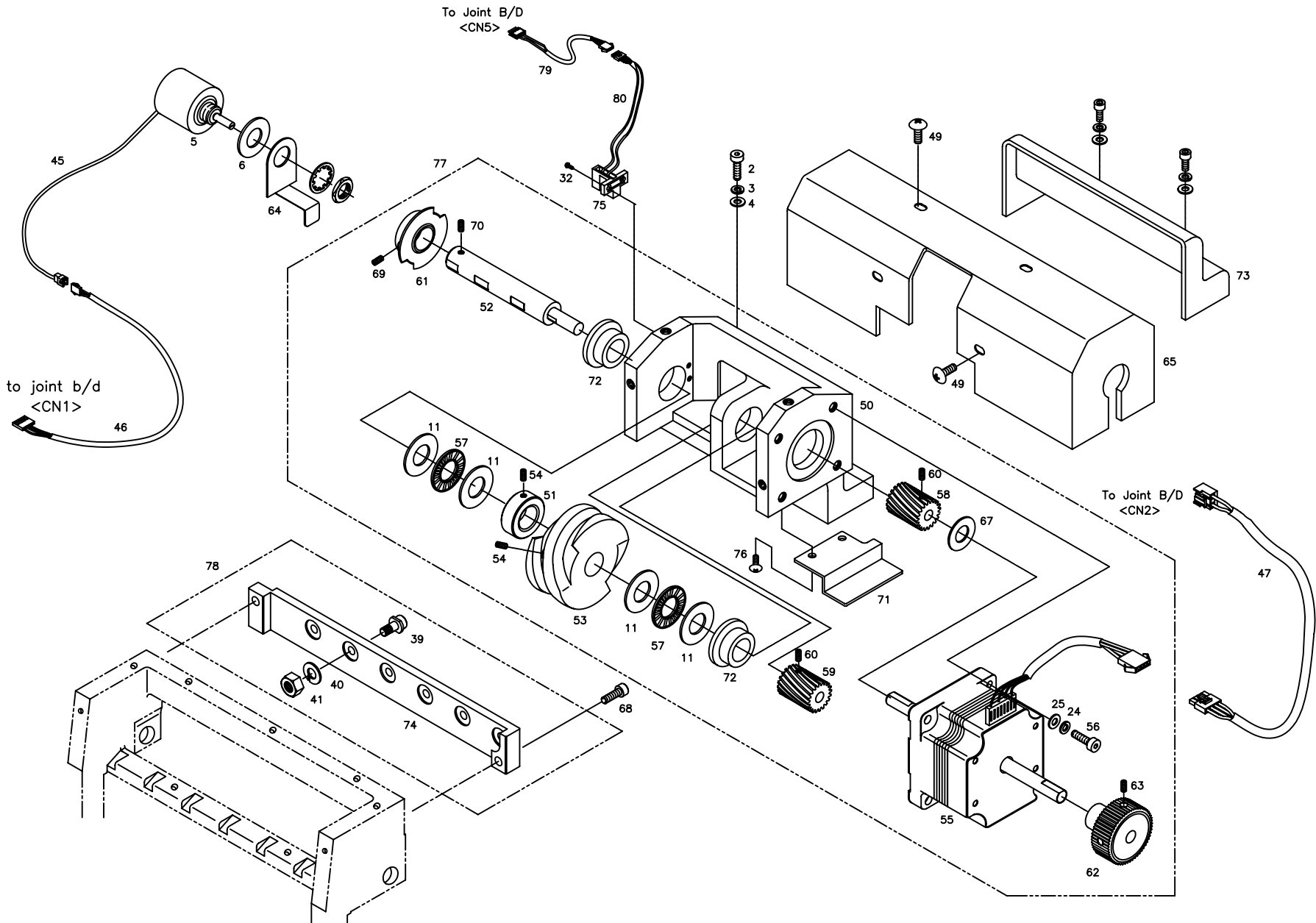


Ref.No	Part No.	Part Name	Q'ty
F-003	08076SC-7113	HEX. SOCKET BOLT (M5*L12)	2
F-004	18048SW-3115	SPRING WASHER (5@)	2
F-005	18049SW-3111	WASHER (@5)	2
F-006	09005PR-CT01	Upper Thread Catcher	1
F-007	09006AD-T121	Positioning Collar Bracket	1
F-008	09007SC-7113	HEX. SOCKET BOLT (M3*L12)	1
F-009	09008PM-T121	Positioning Collar	1
F-010	09009PR-T121	Positioning Collar Washer	1
F-011	09010CW-T121	Stud Screw	1
F-013	09013CW-T121	Driving Link Stud Screw	1
F-035	09036CW-CT01	Wiper Cover Stud Bolt	2
F-036	02023SC-7113	HEX.SOCKET BOLT (M4*L8)	2
F-037	09040PR-A001	Bracket (L)	1
F-038	09041PR-A001	Bracket (R)	1
F-039	02009SC-A001	Side Cover Screw	4
F-040	09044PR-A001	Upper Thread Holder Disk Set	2
F-041	--	Upper Thread Holder Disk "A"	2
F-042	--	Spring	2
F-043	--	Upper Thread Holder Disk "B"	2
F-044	--	Upper Thread Holder Stud	2
F-045	09034PR-AE00	Upper Thread Presser Base (6C)	1
	09030PR-A002	Upper Thread Presser Base (9C)	
	09026PR-AB00	Upper Thread Presser Base (12C)	
	09052PR-T151	Upper Thread Presser Base (15C)	
F-046	09035ET-AE00	Velcro (6C)	1
	09031ET-A002	Velcro (9C)	
	09027ET-AB00	Velcro (12C)	
	09027ET-T151	Velcro (15C)	
F-047	09038CW-A001	Thread Presser Space	2
F-048	09037PR-AE00	Presser Base Cover (6C)	1
	09033PR-A002	Presser Base Cover (9C)	
	09029PR-AB00	Presser Base Cover (12C)	
	09029PR-T151	Presser Base Cover (15C)	
F-049	07018SC-8118	Plus Screw (M3*L8)	2
F-051	09046PR-T121	Upper Thread Catcher Guide Set	1
F-052	02015SC-7113	Hex.Socket Bolt (M4*L10)	1
F-053	18014SW-3115	Spring Washer (@4-No2)	2
F-054	18015SW-3111	Washer (4@)	2
F-058	06010SC-8118	Plus Screw (M3*L4)	2
F-064	GP-006007-00	DRIVING LINK	1

Ref. No	Part No.	Part Name	Q'ty
F-067	08500700C000	Motor Shaft Connecting Lever	1
F-068	08500400C000	Upper Thread Return Spring	1
F-069	06010SC-8118	Plus Screw (M3*L4)	2
F-070	09017EL-T121	Sensor Set	1
F-071	08006SC-8118	Plus Screw (M3*L5)	2
F-073	08500500C000	Upper Thread Hook Cover	1
F-074	08500200C000	Upper Thread Catcher Motor	1
F-075	08500300C000	Upper Thread Hook Motor Base	1
F-076	08500600C000	Wiper Driving Link Washer	1
F-077	08500600C000	Wiper Driving Link Washer	2
F-078	02023SC-7113	Hex.Socket Bolt (M4*L8)	2
F-079	18014SW-3115	Spring Washer (@4-No2)	2
F-080	18015SW-3111	Washer (4@)	2
F-081	22006SC-7113	HEX. SOCKET BOLT (M3*L8)	4
F-082	11019SW-9115	Spring Washer (3@)	4
F-083	06011SW-2111	Washer (@3)	6
F-084	02015SC-7113	HEX.SOCKET BOLT(M4*L10)	1
F-085	08500800C000	Wiper Return Sensor Plate	1
F-086	08600002B000	Upper Thread Base Set (6C)	1
	08600003B000	Upper Thread Base Set (9C)	
	08600004B000	Upper Thread Base Set (12C)	
	08600005B000	Upper Thread Base Set (15C)	
F-087	08500110C000	Upper Thread Hook Base	1
F-088	08501000C000	WIPER RETURN SENSOR BRACKET	1
F-089	07035SC-7113	BRACKET SCREW (M3*L6)	2
F-090	08500010C000	Upper Thread Catcher Set	1
F-092	09021RB-A001	Cushion Stopper	1
F-093	09033CW-CT01	STOPER SCREW	2
F-095	25154EL-CT01	RETURN SENSOR MIDDLE CONN. (CPT-15-4)	1
F-096	25155EL-CT01	WIPER RETURN SENSOR CONN. (CPT-15-5)	1
F-097	25013EL-CT01	WIPER MOTOR TO JOINT BOARD	1

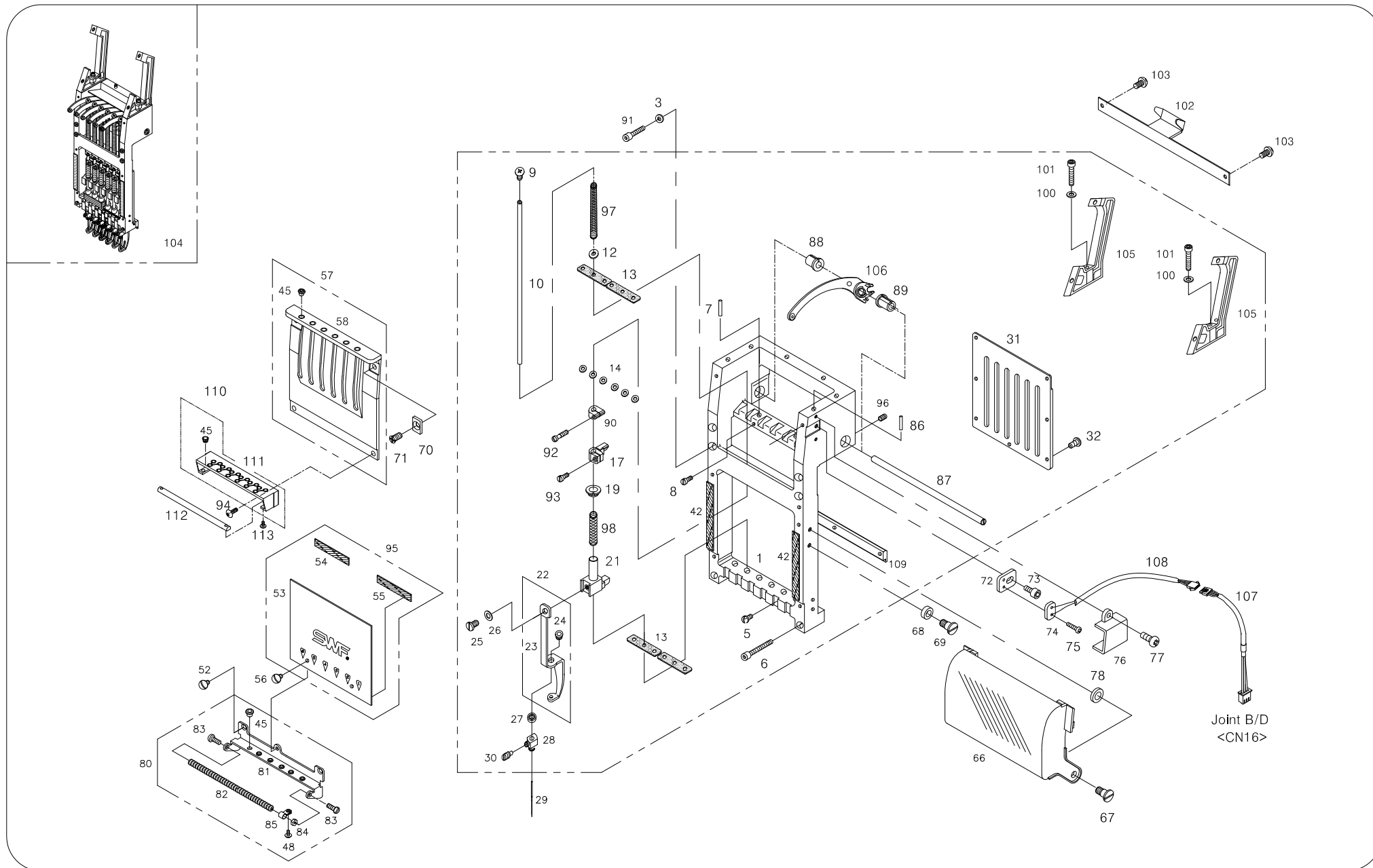
G

Color Change Set



H

Head

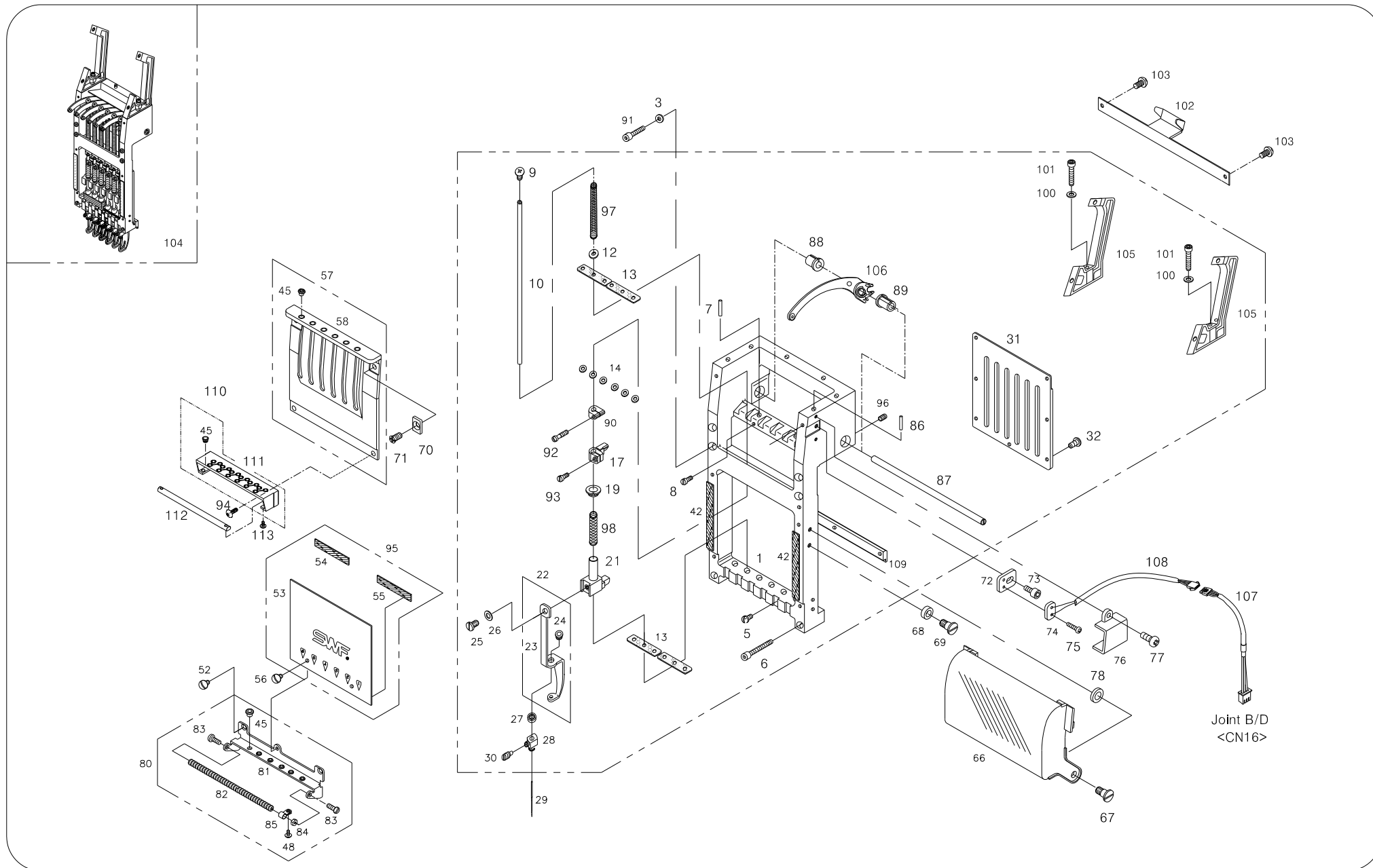


Ref.No	Part No.	Part Names	Q'ty
H-001	05001CA-CT06	Head (6C)	1
	05001CA-CT09	Head (9C)	
	05001CA-CT12	Head (12C)	
	05001CA-CT15	Head (15C)	
H-003	05009SW-1111	Washer (@4-L)	4
H-005	05013SC-A001	Head Rail Screw	1
H-006	05014SC-7113	HEX. SOCKET BOLT (M4*L25)	2
H-007	05015CW-A001	Head Base Pin(@5*L15)	2
H-008	03022SC-4517	Hex. Socket Set Screw(M4*L5)	2
H-009	05019SC-A001	Needle Bar Cover Screw (M5*L6)	6
H-010	05018CW-A001	Needle Bar	6
H-012	05022SW-A001	Spring Shoe Washer	6
H-013	05021SF-A001	Felt	4
H-014	05011RB-T121	Needle Bar Cushion Rubber	6
H-017	05027FU-A001	Needle Bar Holder	6
H-019	05021PM-H001	Presser Foot Spring Guide	6
H-021	05023PM-H001	Presser Foot Holder Set	6
H-022	05024BM-CT01	Presser Foot Set (Compact)	6
H-023	05024PR-CT01	Presser Foot L=95	6
H-024	05031AF-A001	Presser Foot Guide Bush	6
H-025	05026SC-H001	Presser Foot Holder Screw	6
H-026	05027PR-H001	Presser Foot Holder Washer	6
H-027	05035RB-A001	Presser Foot Cushion Rubber"A	6
H-028	05036CW-A001	Needle Fixed Holder	6
H-029	05037DB-A001	Needle (Db-K5, #11)	6
H-030	05363SC-A001	Needle Fixed Screw (A/S)	6
H-031	05031PM-CT06	Needle Bar Guide Rail (6C)	1
	05031PM-CT09	Needle Bar Guide Rail (9C)	
	05027PM-T121	Needle Bar Guide Rail (12C)	
	05027PM-T151	Needle Bar Guide Rail (15C)	
H-032	05041SC-A001	Guide Rail Serew (6C)	7
	05041SC-A001	Guide Rail Serew (9C)	8
	05041SC-A001	Guide Rail Serew (12C)	9
	05041SC-A001	Guide Rail Serew (15C)	9
H-042	05063RB-A001	Magnetic Rubber "A"	2
H-045	13054SC-3123	Truss Screw (M3 X L8)	18
H-048	05060SC-8118	Screw (M3*L3)	1
H-052	05062SC-A001	Thread Guide (L) Screw	2
H-053	05661PR-AE00	Head Face Plate (L) (6C)	1
	05651PR-A002	Head Face Plate (L) (9C)	

Ref. No	Part No.	Part Names	Q'ty
H-053	05641PR-AB00	Head Face Plate (L) (12C)	1
	05641PR-T151	Head Face Plate (L) (15C)	
H-054	05642RB-A001	Magnetic Rubber "B"	1
H-055	05643RB-AB00	Magnetic Rubber "C"	2
H-056	05062SC-A001	Thread Guide (L) Screw (6,9C)	1
	05062SC-A001	Thread Guide (L) Screw (12C)	2
	05062SC-A001	Thread Guide (L) Screw (15C)	3
H-057	05049BM-CT06	Head Face Plate Set (6C)	1
	05049BM-CT09	Head Face Plate Set (9C)	
	05050BM-CT12	Head Face Plate Set (12C)	
	05050BM-CT15	Head Face Plate Set (15C)	
H-058	05049PM-CT06	Head Face Plate (U) (6C)	1
	05051PM-CT09	Head Face Plate (U) (9C)	
	05050PM-CT12	Head Face Plate (U) (12C)	
	05050PM-CT15	Head Face Plate (U) (15C)	
H-066	05055PM-CT06	Thread Take-Up Lever Cover (6C)	1
	05055PM-CT09	Thread Take-Up Lever Cover (9C)	
	05056PM-CT12	Thread Take-Up Lever Cover (12C)	
	05056PM-CT15	Thread Take-Up Lever Cover (15C)	
H-067	05057CW-CT01	Thread Take-Up Cover Screw	2
H-068	05059RB-CT01	Take-Up Cover Stopper Rubber	2
H-069	05058CW-CT01	Stopper Rubber Screw	2
H-070	05060PR-CT01	Plate For Magnetic	2
H-071	15089SC-7119	C.S SCREW (M4*L10)	2
H-072	05062PR-CT01	Take-Up Cover S/W Bracket	1
H-073	18153SC-3123	Plus Screw (M4*L10)	1
H-074	05064EL-CT01	Micro S/W (D2F-01F1)	1
H-075	05065SC-8118	Plus Screw (M2*L8)	2
H-076	05066PM-CT01	Switch Cover	1
H-077	05051AF-3123	Head Face Plate (U) Screw	2
H-078	05068SW-CT01	Thread Take-Up Cover Washer	2
H-080	10400002B000	Thread Guide (L) Set (6C)	1
	10400003B000	Thread Guide (L) Set (9C)	
	10400004B000	Thread Guide (L) Set (12C)	
	10400005T000	Thread Guide (L) Set (15C)	
H-081	10400102B000	Thread Guide (L) (6C)	1
	10400103B000	Thread Guide (L) (9C)	
	10400104B000	Thread Guide (L) (12C)	
	10400105T000	Thread Guide (L) (15C)	

H

Head

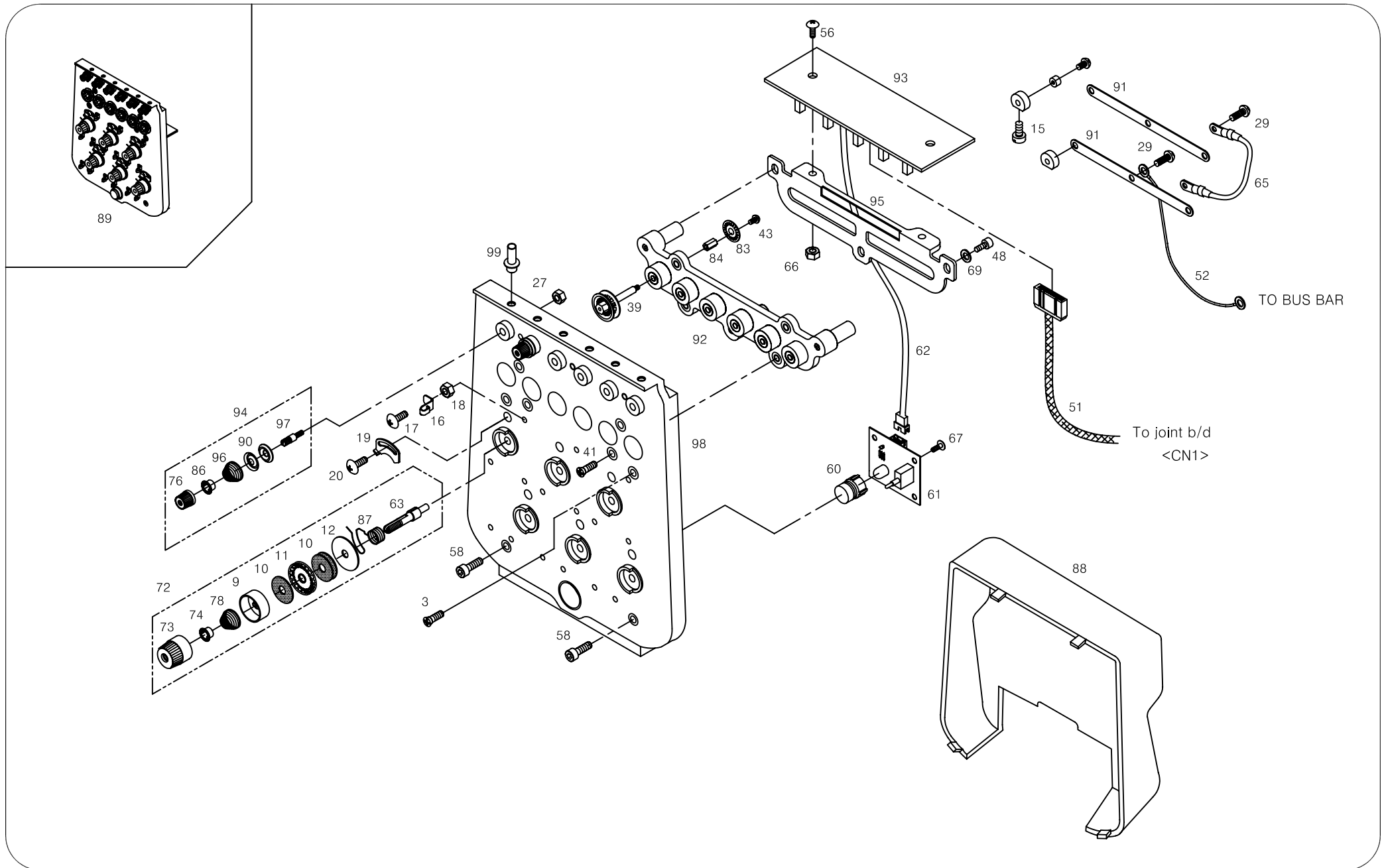


Ref.No	Part No.	Part Names	Q'ty
H-082	10400212B000	Spring (6C)	1
	10400213B000	Spring (9C)	
	10400214B000	Spring (12C)	
	10400215T000	Spring (15C)	
H-083	096440C-8119	Spring Adjusting Screw	2
H-084	096440N-3211	Spring Adjusting Nut (9/64,N40)	1
H-085	10400304B000	Spring Holder	1
H-086	01303700H000	Tension Plate Pin	2
H-087	08200602A000	Take-Up Lever Shaft (6C)	1
	08200503A000	Take-Up Lever Shaft (9C)	
	08200404A000	Take-Up Lever Shaft (12C)	
	07004SH-T151	Take-Up Lever Shaft (15C)	
H-088	08203000A000	Take-Up Lever Shaft Bush(L)	1
H-089	08200800A000	Take-Up Lever Shaft Bush(R)	1
H-090	11101200T000	Upper Dead Point Stopper	6
H-091	05008SC-4113	Hex.Socket Bolt (M4*L16)	4
H-092	05026SC-4113	Stopper Screw (9/64-11.5)	6
H-093	05028SC-4113	Holder Screw (9/64-L8)	6
H-094	SC-001625-00	Thread Guide (M) Screw (9/64 n=40)	4
H-095	05066PR-AE00	Head Face Plate (L)Set (6C)	1
	05065PR-AC00	Head Face Plate (L)Set (9C)	
	05064PR-AB00	Head Face Plate (L)Set (12C)	
	05064PR-T151	Head Face Plate (L)Set (15C)	
H-096	07009SC-4517	Hex.Socket Set Screw (M5*L6)	2
H-097	05008AF-T121	Needle Bar Return Spring	6
H-098	05017AF-T121	Presser Foot Pressure Spring	6
H-100	06003SW-2111	Washer (@4)	2
H-101	11021SC-4113	Hex. Socket Bolt (M4*L35)	2
H-102	11023PR-CT06	Cable Supporter (6C)	1
	11032PR-E091	Cable Supporter (9C)	
	11032PR-T121	Cable Supporter (12C)	
	11032PR-T151	Cable Supporter (15C)	
H-103	02010AF-3123	Truss Screw (M4*L8)	2
H-104	08200002C010	Head Set (6C)	1
	08200003C010	Head Set (9C)	
	08200004C010	Head Set (12C)	
	08200005C010	Head Set (15C)	
H-105	08202000A000	TENSION ADJUSTING PLATE HOLDER	2
H-106	07005BM-B002	TAKE-UP LEVER SET	6
H-107	25311EL-CT01	TAKE-UP COVER S/W MIDDLE CON.	1

Ref. No	Part No.	Part Names	Q'ty
H-109	08201302H000	HEAD RAIL 6C (6C)	1
	05011CW-A002	Head Rail (9C)	
	08201304H000	Head Rail (12C)	
	08201305H000	Head Rail (15C)	
H-110	AS-000483-05	Thread Guide (M) Set (6C)	1
	AS-000484-08	Thread Guide (M) Set (9C)	
	AS-000485-06	Thread Guide (M) Set (12C)	
	AS-000486-06	Thread Guide (M) Set (15C)	
H-111	GP-044537-00	Thread Guide (M-6C) Ass'y (6C)	1
	GP-044538-00	Thread Guide (M-9C) Ass'y (9C)	
	GP-044539-00	Thread Guide (M-12C) Ass'y (12C)	
	GP-044540-00	Thread Guide (M-15C) Ass'y (15C)	
H-112	GP-044297-03	Thread Guide Shaft (6C)	1
	GP-044298-03	Thread Guide Shaft (9C)	
	ST-000002-02	Thread Guide Shaft (12C)	
	GP-044299-03	Thread Guide Shaft (15C)	
H-113	13054SC-3123	Truss Screw (M3 X L8)	2

I

Thread Tension Unit

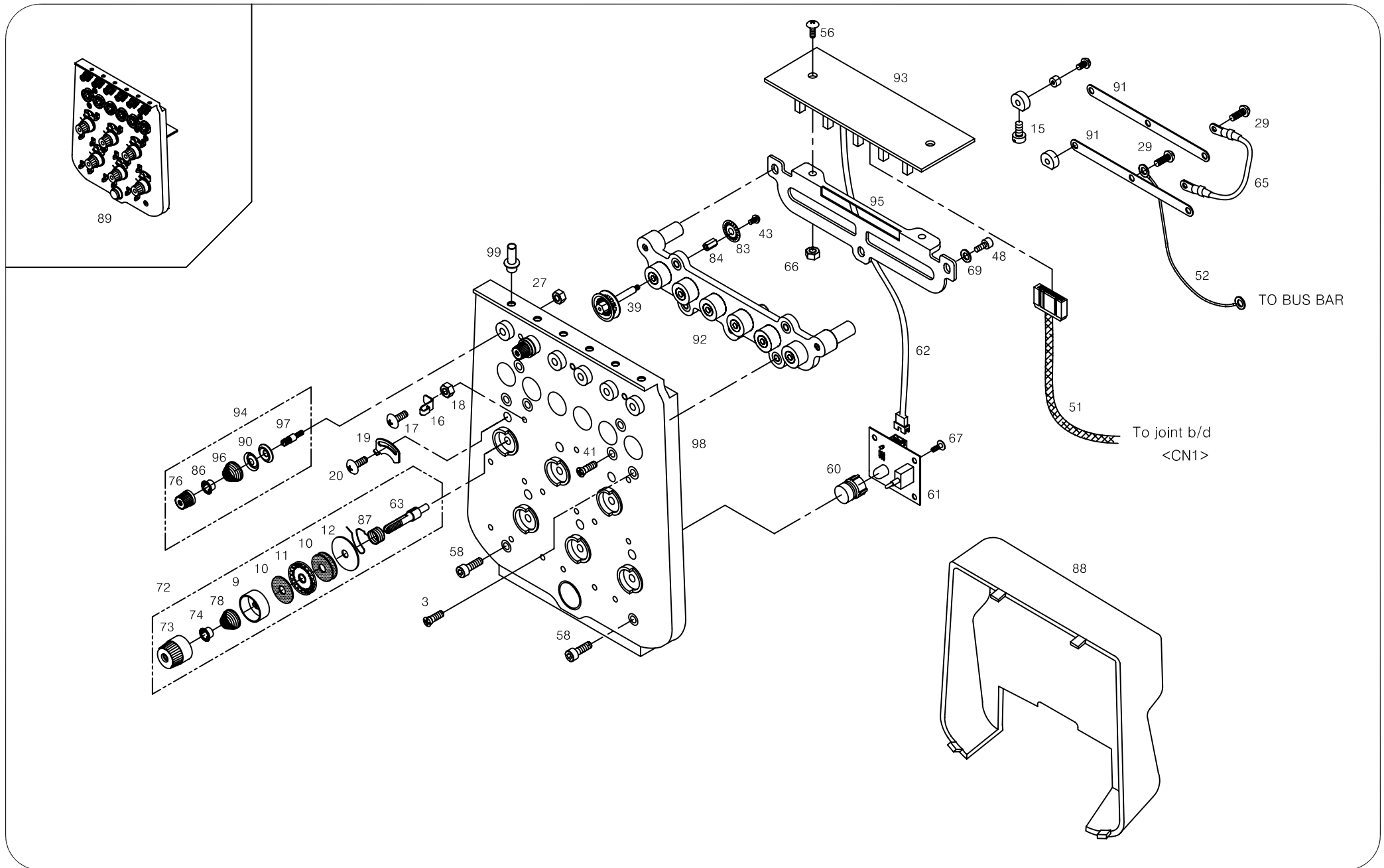


Ref. No	Part No.	Part Name	Q'ty
I-003	02002SC-7119	PLUSS SCREW (M4*L8) (6C)	4
	02002SC-7119	PLUSS SCREW (M4*L8) (9,12,15C)	5
I-009	11086PM-A001	Tension Spring Collar	6
I-010	11084AF-A001	Felt	18
I-011	11085AF-A001	Rotary Tension Disc	6
I-012	11083PM-A001	Disc Plate	6
I-015	11009SC-A001	Stud Screw	6
I-016	11012PR-B001	Thread Guide (New)	15
I-017	09005SC-3123	Truss Screw (M3*L6)	15
I-018	11014SN-1211	Hex.Nut (M3-No2)	15
I-019	11009PR-B001	Thread Breakage Detecting Plat	6
I-020	09005SC-3123	Truss Screw (M3*L6)	6
I-027	03031SN-A001	Pin. Nut (11/64,N=40)	6
I-029	09005SC-3123	Truss Screw (M3*L6)	6
I-039	11075PM-B001	Thread Sensor Roller(B1)Set	6
I-041	02002SC-7119	PLUSS SCREW (M4*L8) (6C)	4
	02002SC-7119	PLUSS SCREW (M4*L8) (9C)	5
	02002SC-7119	PLUSS SCREW (M4*L8) (12C)	5
	02002SC-7119	PLUSS SCREW (M4*L8) (15C)	5
I-043	08011SC-8118	Screw (M2*L4)	6
I-048	02023SC-7113	Plus Screw (M4*L8)	1
I-051	25021EL-CT01	Wheel Sensor Board To J/B (6,9,12C)	1
	25021EL-CT15	Wheel Sensor Board To J/B (15C)	
I-052	25032EL-CT01	Wheel Sensor Frame Ground	1
I-056	02010SC-3123	Truss Screw (M4*L8) (6C)	2
	02010SC-3123	Truss Screw (M4*L8) (9C)	3
	02010SC-3123	Truss Screw (M4*L8) (12,15C)	3
I-058	04010MC-7113	Hex.Socket Bolt (M4*L10)	2
I-060	08300400A000	Lamp Cover	1
I-061	03-0000-EMB1	Head On/Off S/W Board 6C,12C	1
I-062	02101800B000	Plate Led S/W Board Cable	1
I-063	11081CW-A001	Thread Tension Adjusting Stud	6
I-065	02103903H000	Wheel Earth 6,9,12C	1
I-066	05016SN-1211	Hex.Nut (M4) (6C)	2
	05016SN-1211	Hex.Nut (M4) (9C)	3
	05016SN-1211	Hex.Nut (M4) (12,15C)	3
I-067	09005SC-3123	Truss Screw (M3*L6)	4
I-069	06003SW-2111	Washer (@4)	3
I-072	08310000B000	TENSION ADJUSTING SET	6
I-073	08300500A000	TENSION ADJUSTING NUT	6
I-074	08300700A000	TENSION SPRING STOPPER	6

Ref. No	Part No.	Part Name	Q'ty
I-076	08300600A000	SUB TENSION ADJUSTING NUT(A)	6
I-078	08300800A000	TENSION ADJUSTING SPRING	6
I-083	GP-005179-00	THREAD BREAKAGE DETECTING WHEEL	6
I-084	08308300B000	THREAD DETECTING WHEEL STUD (6C)	6
	11083CW-B001	THREAD DETECTING WHEEL STUD (9C)	9
I-084	08308300B000	THREAD DETECTING WHEEL STUD (12C)	12
	11083CW-B001	THREAD DETECTING WHEEL STUD (15C)	15
I-086	08300700A000	TENSION SPRING STOPPER	6
I-087	11082AF-A001	THREAD TAKE-UP SPRING	6
I-088	11005PM-CT06	Tension Unit Cover (6C)	1
	08000803I000	Tension Unit Cover (9C)	
	08000804I000	Tension Unit Cover (12C)	
	08000805I000	Tension Unit Cover (15C)	
I-089	08300102C000	Tension Unit Set (6C)	1
	08300103C000	Tension Unit Set (9C)	
	08300104C000	Tension Unit Set (12C)	
I-089	08300105C000	Tension Unit Set (15C)	1
	08300105C000	Tension Unit Set (15C)	
	08300105C000	Tension Unit Set (15C)	
I-090	08301200I000	TENSION DISC	12
I-091	08300302I000	Connection Plate (6C)	2
	08300303I000	Connection Plate (A) (9C)	1
	08300403I000	Connection Plate (B) (9C)	1
	08300304I000	Connection Plate (12C)	2
	08300305I000	Connection Plate (A) (15C)	1
	08300405I000	Connection Plate (B) (15C)	1
I-092	11033PM-CT06	Roller Base (6C)	1
	08300703I000	Roller Base (9C)	
	08300704I000	Roller Base (12C)	
	08300705I000	Roller Base (15C)	
I-093	18009EL-WH06	U.T.C Board (6C)	1
	19009EL-WH09	U.T.C Board (9C)	
	18009EL-WH12	U.T.C Board (12C)	
	19009EL-WH15	U.T.C Board (15C)	
I-094	08320000I000	SUB TENSION ADJUSTING SET	6
I-095	08300122B000	THREAD BOARD BASE (6C)	1
	08300203I000	THREAD BOARD BASE (9C)	
	08300204I000	THREAD BOARD BASE (12C)	
	08300205I000	THREAD BOARD BASE (15C)	
I-096	08301100I000	TENSION SPRING	6
I-097	08301000I000	TENSION ADJUSTING STUD	6

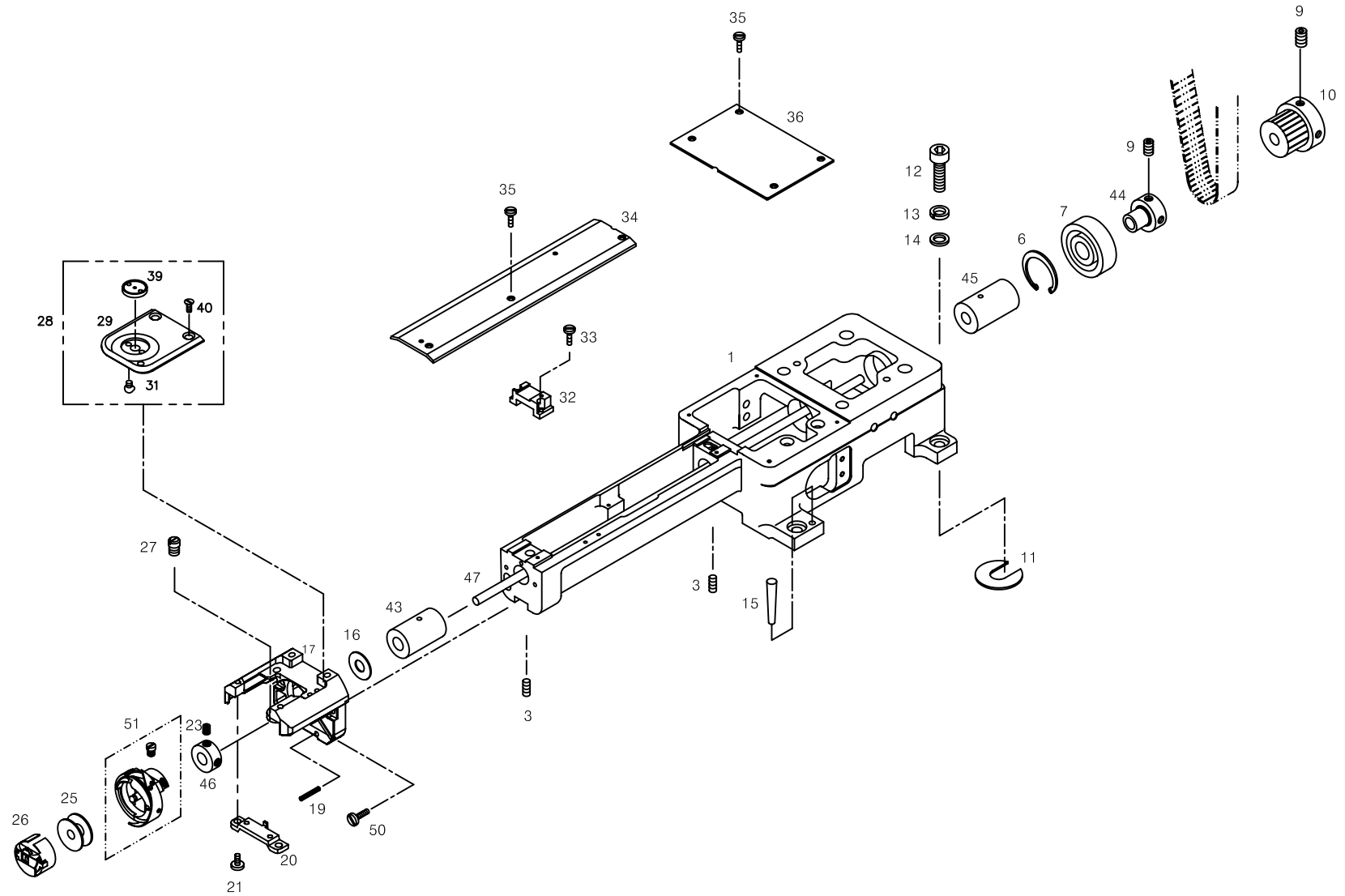
I

Thread Tension Unit



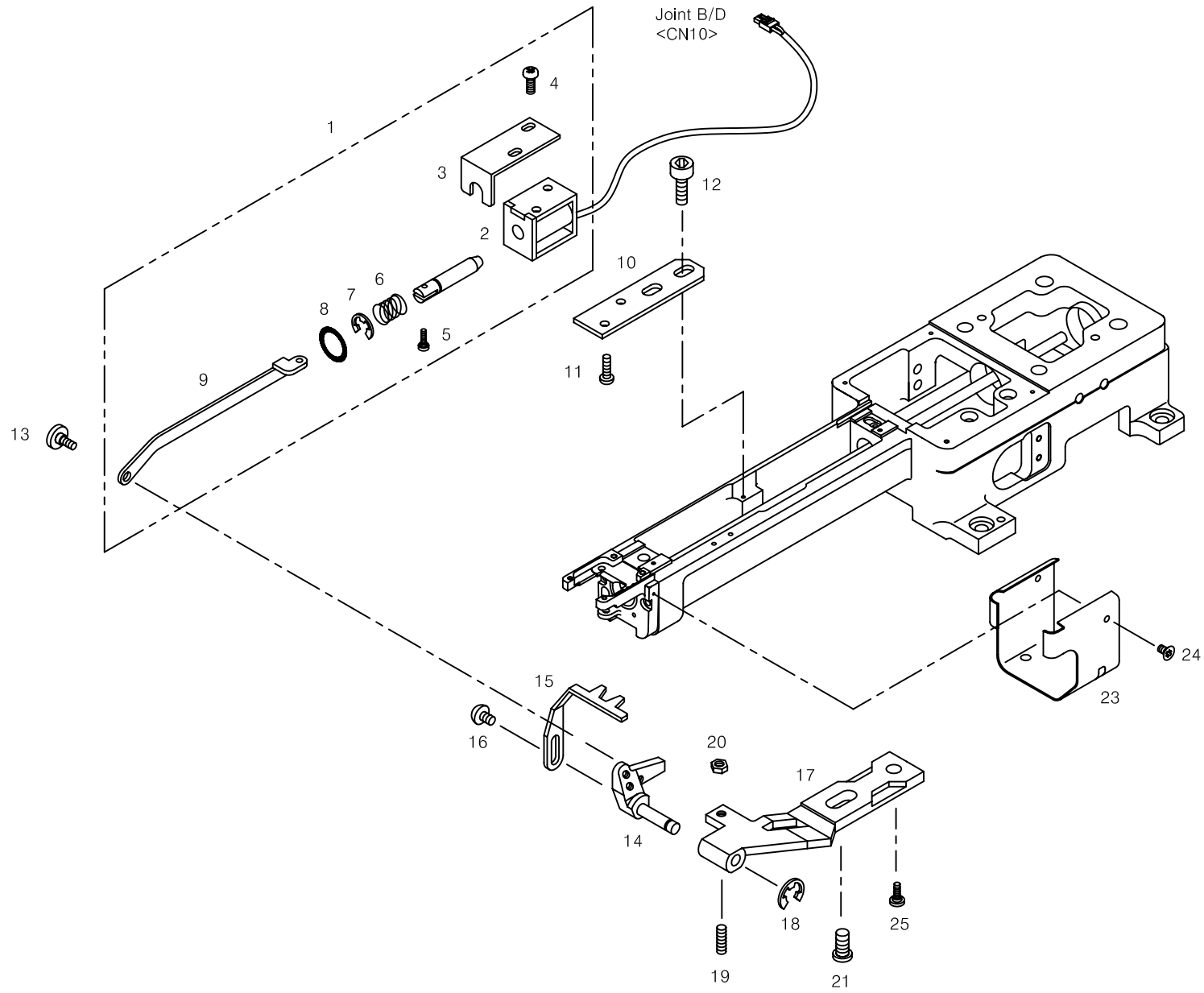
J

Bed



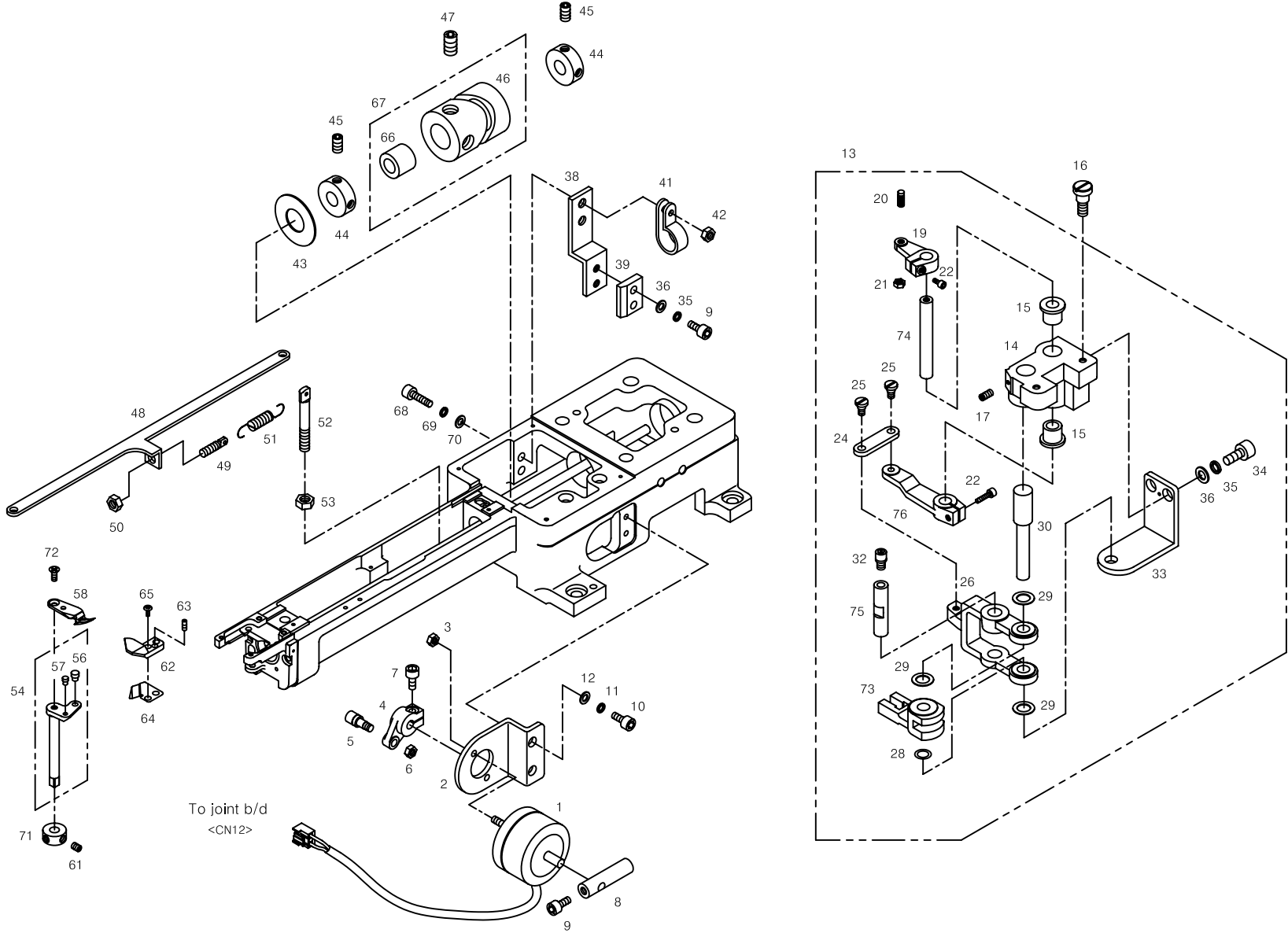
K

Picker



L

Thread Cutting Set

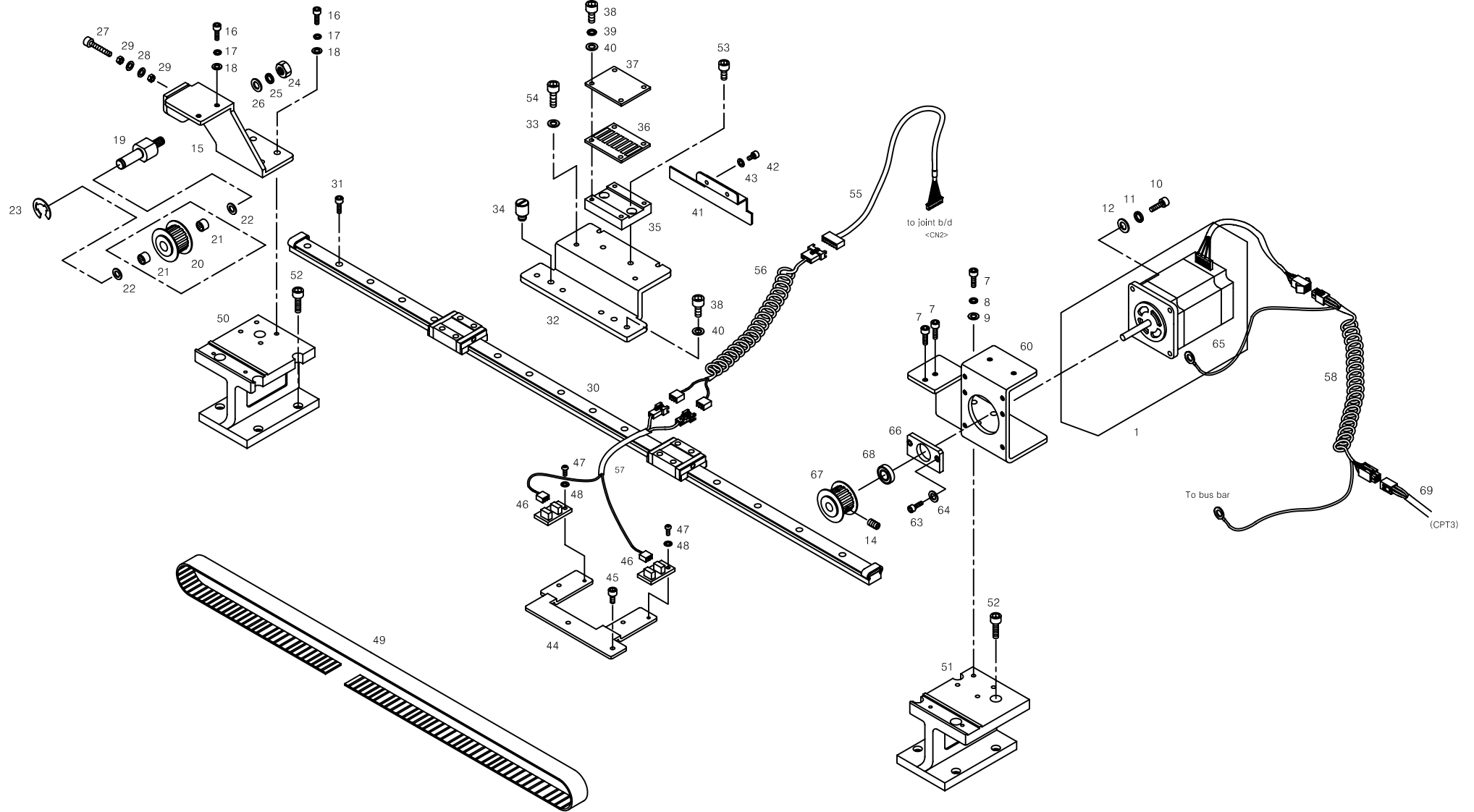


Ref. No	Part No.	Part Name	Q'ty
L-001	08068EL-T121	Thread Trimming Solenoid Ass'Y	1
L-002	08043PR-T121	Solenoid Plate	1
L-003	12010SN-1211	HEX.NUT (M5)	2
L-004	08047CL-T121	Solenoid Crank	1
L-005	08048AF-T121	Solenoid Crank Roller	1
L-006	08050SN-T121	Hex. Nut	1
L-007	03071SC-7113	HEX. SOCKET BOLT (M3*L10)	1
L-008	08041CW-T121	Solenoid Manual Handle	1
L-009	02015SC-7113	HEX.SOCKET BOLT(M4*L10)	4
L-010	08076SC-7113	HEX. SOCKET BOLT (M5*L12)	2
L-011	18048SW-3115	SPRING WASHER (5@)	2
L-012	18049SW-3111	WASHER (@5)	2
L-013	08010BM-T121	Mes Lever Shaft Bracket Set	1
L-014	08010CL-T121	Mes Lever Shaft Bracket	1
L-015	07021MP-T121	Lever Shaft Bush	2
L-016	08011CW-T121	Stud Screw	2
L-017	13013SC-4517	Hex.Socket Bolt (15/64",N=28)	1
L-019	08014FH-T121	Mes Driving Lever (U)	1
L-020	07023CW-T121	Lever Pin "A"	1
L-021	02029SN-9311	HEX. NUT (M4-NO2)	1
L-022	07016SC-7113	HEX.SOCKET BOLT (M4*L12)	2
L-024	08031PR-T121	Mes Lever Connecting Link	1
L-025	08022SC-A001	Lever Stud	2
L-026	08027CL-T121	Mes Lever	1
L-028	08022RB-T121	O-Ring (@10)	1
L-029	07024BR-UK01	Fiber Washer(R-Tw0805)	3
L-030	08018CW-T121	Mes Lever Shaft	1
L-032	08023AF-T121	Mes Cam Roller Set	1
L-033	08027PR-T121	Mes Lever Supporter	1
L-034	07016SC-7113	HEX.SOCKET BOLT (M4*L12)	2
L-035	02028SW-9115	Spring Washer (@4)	2
L-036	05009SW-1111	Washer (@4-L)	4
L-038	08051PR-T121	Mes Lever Stopper Bracket	1
L-039	08057PM-T121	Mes Lever Stopper	1
L-041	11035ET-A001	Cable Holder	1
L-042	12010SN-1211	Hex.Nut (M5)	1
L-043	02004BR-T121	Hook Shaft Bearing Washer	1
L-044	08033CW-T121	Mes Cam Position Collar	2
L-045	03020SC-A001	Drive Pin Screw 11/64,N40,L8	4
L-046	08036CM-T121	Mes Cam	1

Ref. No	Part No.	Part Name	Q'ty
L-047	04016AF-A001	Cam Collar Screw	2
L-048	08064PR-CT01	Moving Mes Connecting Link	1
L-049	08065SC-T121	Spring Shaft Screw	1
L-050	03031SN-A001	Pin. Nut (11/64,N=40)	1
L-051	08063SP-CT01	Thread Return Spring	1
L-052	08061CW-CT01	Thread Return Spring	1
L-053	08058SN-1311	Hex. Nut (M6-No3)	1
L-054	08026BM-T121	Moving Mes Shaft Set	1
L-055	07026FU-T121	Moving Mes Shaft	1
L-056	08123CW-T121	Moving Mes Connecting Link Pin	1
L-057	08122CW-A001	Mes Pin	1
L-058	07028PR-T121	Moving Mes	1
L-061	03022SC-4517	Hex. Socket Set Screw (M4*L5)	2
L-062	07032CL-T121	Fixed Mes	1
L-063	03050SC-4517	Hex. Socket Set Screw (M3*L3)	1
L-064	07033PR-T121	Under Thread Presser	1
L-065	07018SC-8118	Plus Screw (M3*L8)	2
L-066	08037CW-T121	Mes Cam Bush	1
L-067	08036BM-T121	Mes Cam Set	1
L-068	05014SC-7113	HEX. SOCKET BOLT (M4*L25)	2
L-069	18014SW-3115	Spring Washer (@4-No2)	2
L-070	18015SW-3111	Washer (4@)	2
L-071	13003000T000	Mes Shaft Collar	1
L-072	08014SC-A001	Plus Screw (M3*L8)	1
L-073	03302500T000	Mes Driving Crank	1
L-074	02002200T000	Mes Driving Lever Shaft	1
L-075	03302400T000	Mes Cam Roller Driving Shaft	1
L-076	03301900T000	Mes Driving Lever	1

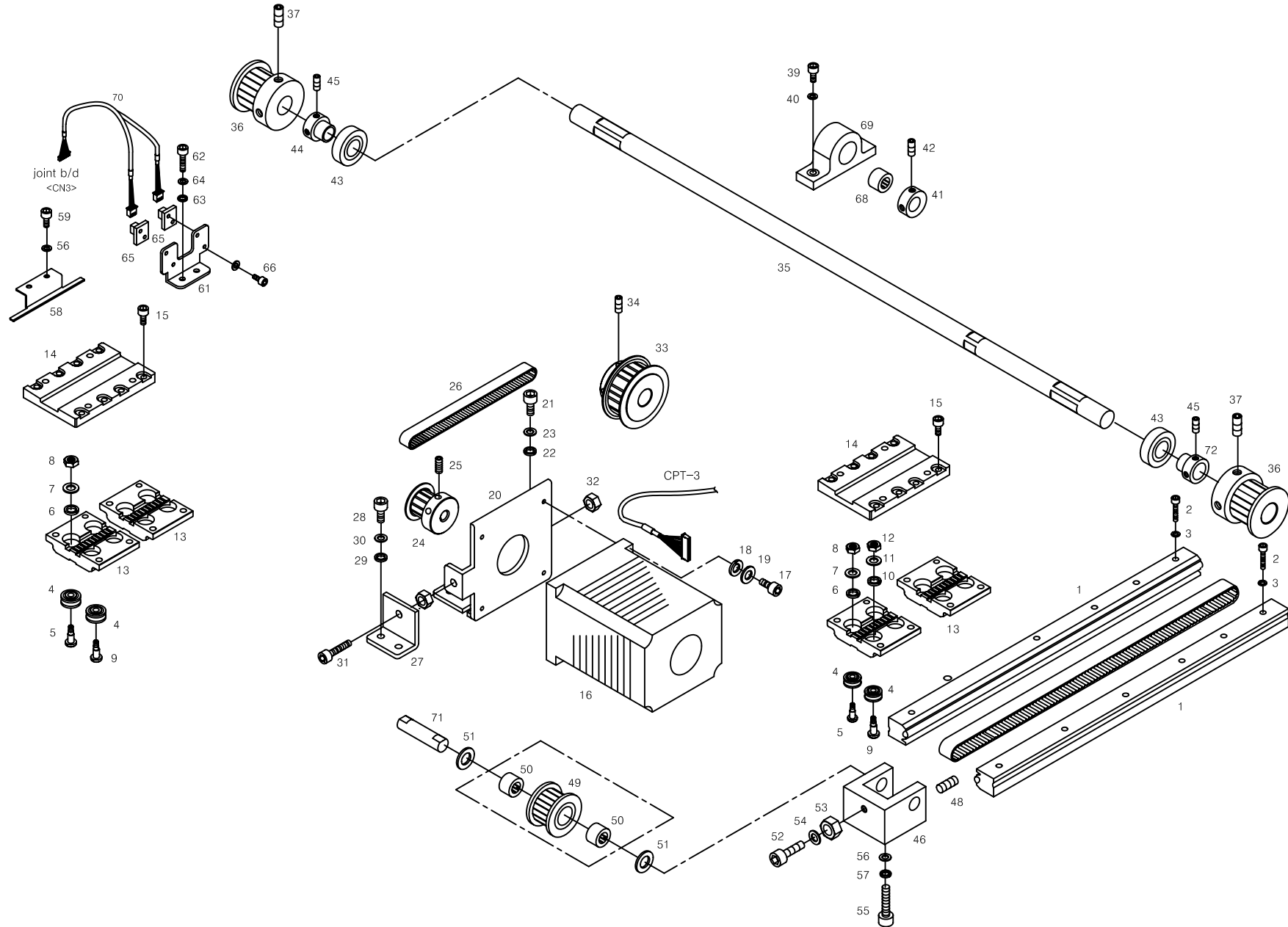
M

X-Axis Drive Set



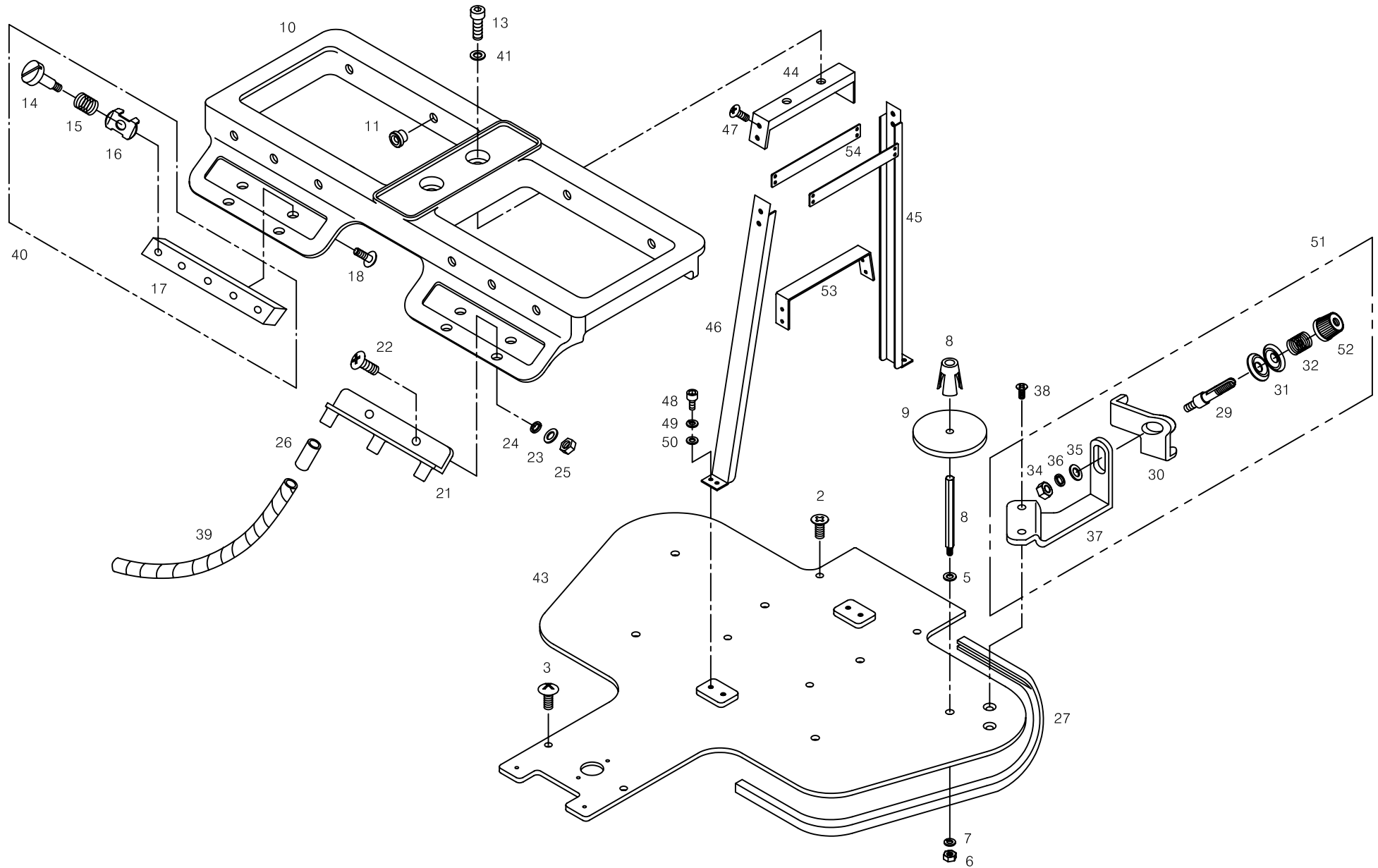
N

Y-Axis Drive Set



O

Spool Stand

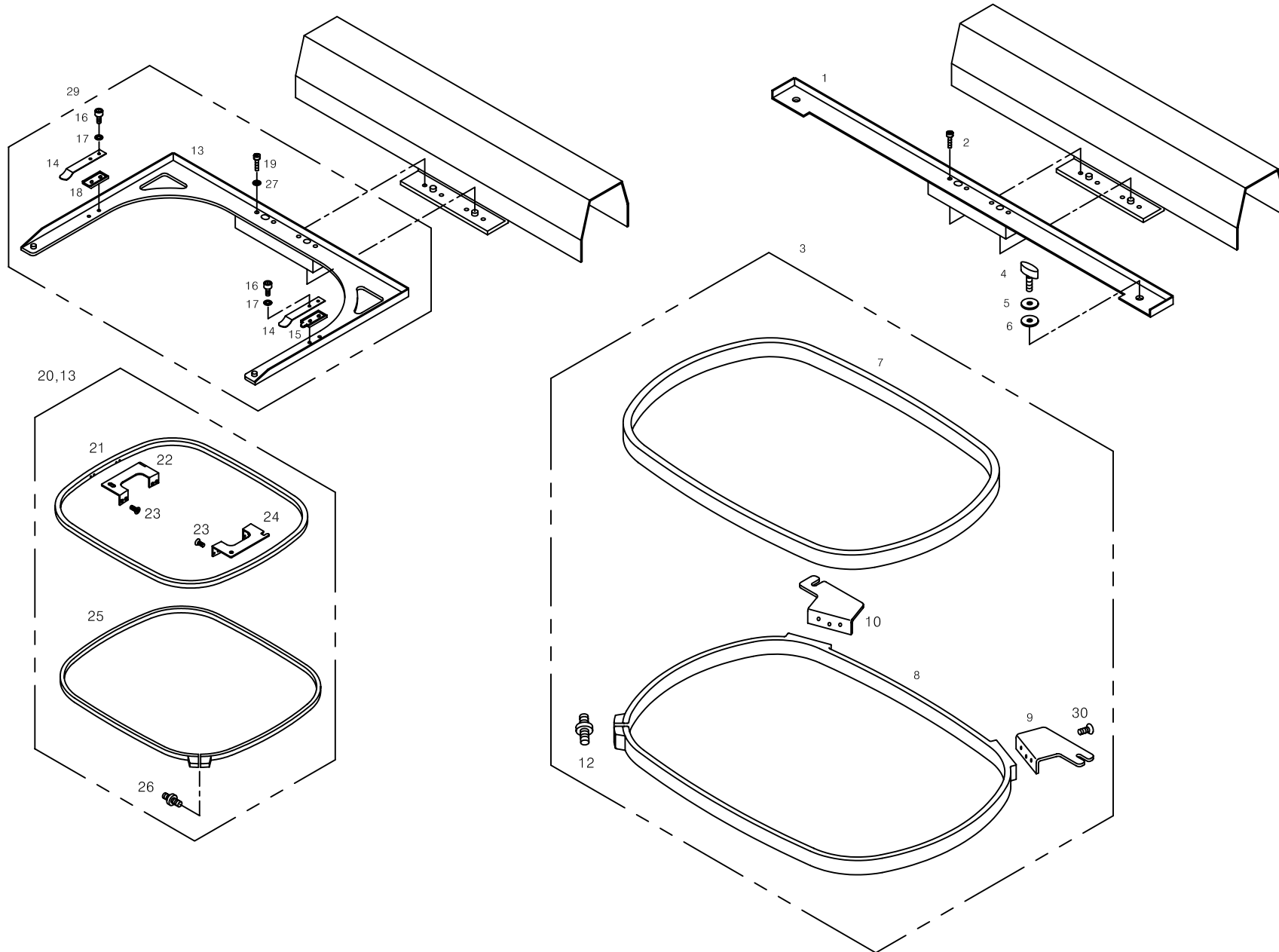


Ref.No	Part No.	Part Name	Q'ty
O-002	02002SC-7119	PLUSS SCREW (M4*L8) (6,9C)	4
	02002SC-7119	PLUSS SCREW (M4*L8) (12,15C)	2
O-003	18153SC-3123	Plus Screw (M4*L10)	2
O-004	12009SC-A001	Spool Post	6
O-005	18049SW-3111	WASHER (@5)	6
O-006	12010SN-1211	Hex.Nut (M5)	6
O-007	18048SW-3115	SPRING WASHER (5@)	6
O-008	12012PM-A001	Spool Holder	6
O-009	12052SF-A001	Spool Sponge	6
O-010	12011PM-CT06	Spool (6C)	1
	12011PM-CT09	Spool (9C)	
	12012PM-CT12	Spool (12C)	
	12012PM-CT15	Spool (15C)	
O-011	12042PM-A001	Eyelet	12
O-013	18047SC-7113	Hex.Socket Bolt (M5*L15) (6,9C)	2
	18047SC-7113	Hex. Socket Bolt (M5*L15) (12,15C)	3
O-014	12017CW-CT01	Thread Guide Stud	6
O-015	12018SP-CT01	Thread Guide Spring	6
O-016	12019PR-CT01	Thread Guide Press Plate	6
O-017	12020CW-CT06	Thread Guide Base Plate	2
	12021CW-CT12	Thread Guide Base Plate	
O-018	18153SC-3123	Plus Screw (M4*L10)	4
O-021	12025PM-CT06	Tube Holder Base A (6C)	2
	12025PM-CT09	Tube Holder Base A (9C)	1
	12026PM-CT09	Tube Holder Base A (9C)	1
	12026PM-CT12	Tube Holder Base A (12C)	2
	12025PM-CT09	Tube Holder Base A (15C)	2
	12026PM-CT15	Tube Holder Base A (15C)	1
O-022	15163SC-3123	Truss Screw (M3*L12) (6,9C)	4
	15163SC-3123	Truss Screw (M3*L12) (12,15C)	6
O-023	06011SW-2111	Washer (@3) (6,9C)	4
	06011SW-2111	Washer (@3) (12,15C)	6
O-024	11019SW-9115	Spring Washer (3@) (6,9C)	4
	11019SW-9115	Spring Washer (3@) (12,15C)	6
O-025	05057SN-3211	Hex. Nut (M3-No2) (6,9C)	4
	05057SN-3211	Hex. Nut (M3-No2) (12,15C)	6
O-026	12031ET-CT01	Holder Tube	12
O-027	12032RB-CT06	Spool Plate Hem Rubber (6C)	1
	12032RB-CT09	Spool Plate Hem Rubber (9C)	
	12033RB-CT12	Spool Plate Hem Rubber (12C)	
	12033RB-CT15	Spool Plate Hem Rubber (15C)	

Ref. No	Part No.	Part Name	Q'ty
O-029	25281CW-CT01	Adjusting Shaft For Tension	1
O-030	25282PR-CT01	Plate For Thread Guide	1
O-031	25283PR-CT01	Disk For Thread Guide	2
O-032	25284SP-CT01	B/W Tention Spring	1
O-034	25029SN-CT01	Hex.Nut (15/64" N=28)	1
O-035	08057SW-1111	Washer (@6)	1
O-036	16014SW-4115	Spring Washer (@6)	1
O-037	25032PR-CT06	Tention Adjusting Device Plate (6,9C)	1
	25034PR-CT12	Tention Adjusting Device Plate (12,15C)	
O-038	15084SC-7119	C.S SCREW (M4*L6)	2
O-039	12034AF-CT01	Rubber Tube	6
O-040	12020BM-CT06	Thread Guide Base (Set) (6C)	2
	12020BM-CT09	Thread Guide Base (Set) (9C)	1
	12021BM-CT09	Thread Guide Base (Set) (9C)	1
	12021BM-CT12	Thread Guide Base (Set) (12C)	2
	12020BM-CT09	Thread Guide Base (Set) (15C)	2
	12021BM-CT15	Thread Guide Base (Set) (15C)	1
O-041	18049SW-3111	Washer (@5)	3
O-043	10100112C010	Spool Plate (6C)	1
	10100113C010	Spool Plate (9C)	
	10100114C010	Spool Plate (12C)	
	10100115C010	Spool Plate (15C)	
O-044	12035PR-CT06	SPOOL STAND "A" (6,9C)	1
	12036PR-CT15	SPOOL STAND "A" (12C)	1
	12036PR-CT15	SPOOL STAND "A" (15C)	2
O-045	GP-017761-00	SPOOL STAND "B" (6,9,12C)	1
	GP-017757-00	SPOOL STAND "B" (15C)	2
O-046	GP-017758-00	SPOOL STAND "C" (6,9,12C)	1
	GP-017762-00	SPOOL STAND "C" (15C)	2
O-047	15042SC-3123	TRUSS SCREW (M4*L6)	4
O-048	04010MC-7113	HEX.SOCKET BOLT (M4*L10)	4
O-049	02028SW-9115	SPRING WASHER (@4)	4
O-050	18015SW-3111	WASHER (4@)	4
O-051	25000002C000	THREAD TENSION ADHESION PLATE (6,9C)	1
	25000004C000	THREAD TENSION ADHESION PLATE (12,15C)	
O-052	08300600A000	SUB TENSION ADJUSTING NUT(A) (6C)	1
O-053	GP-017760-00	Spool Stand Bracket A (9,12,15C)	1
	GP-017590-00	Spool Stand Bracket A	1
O-054	GP-017591-00	Spool Stand Bracket C	2

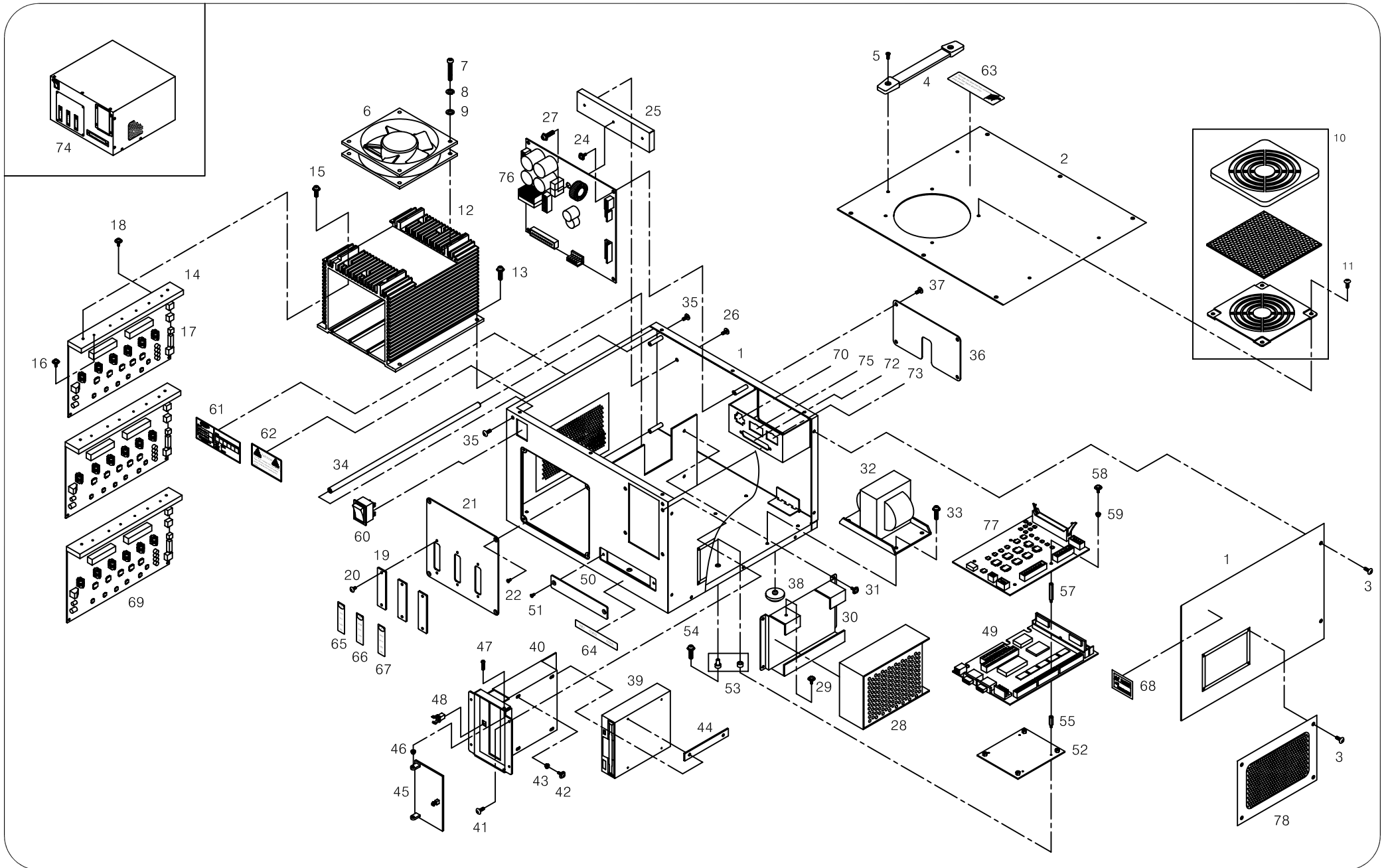
P

Border & Tubular Frame



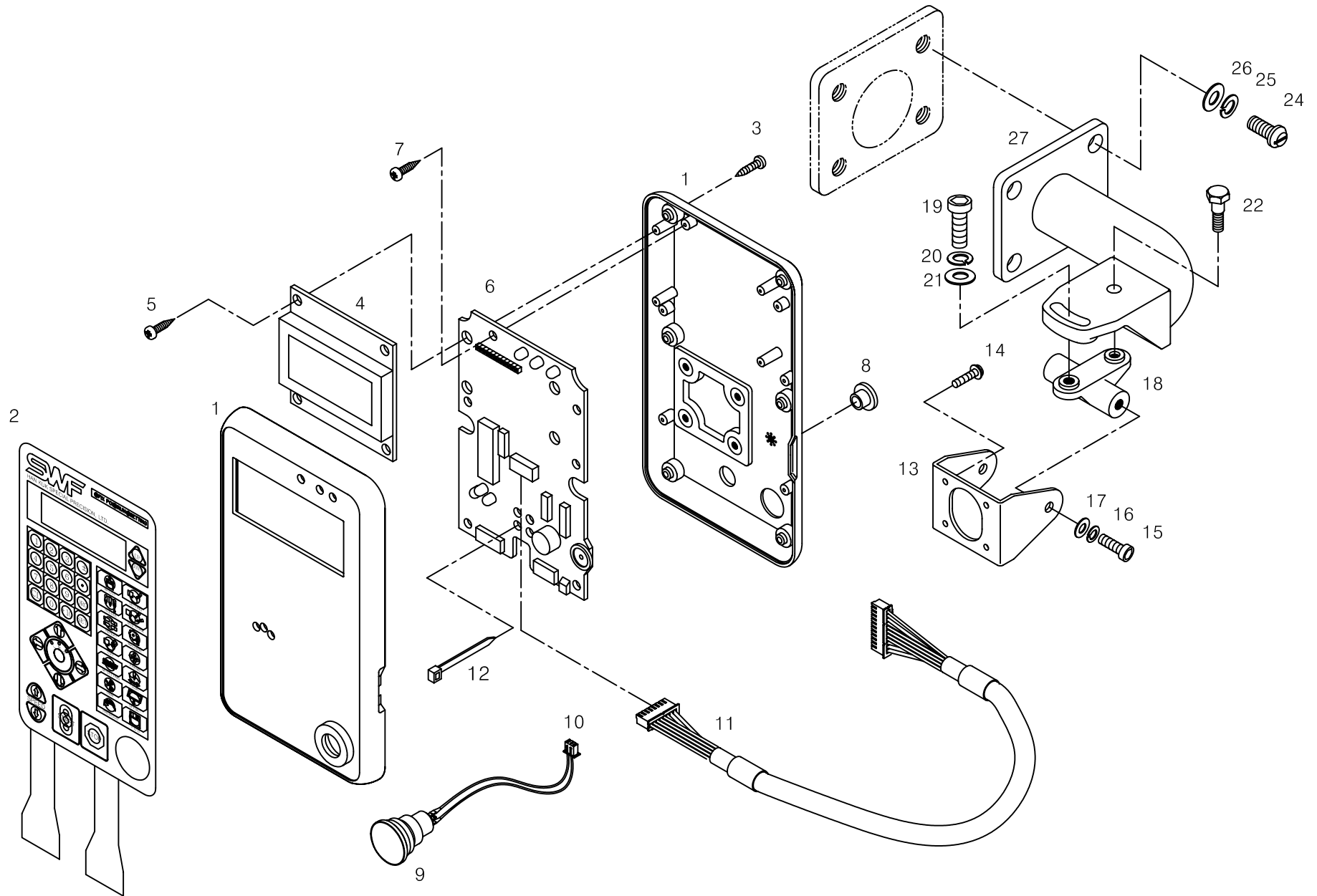
Q

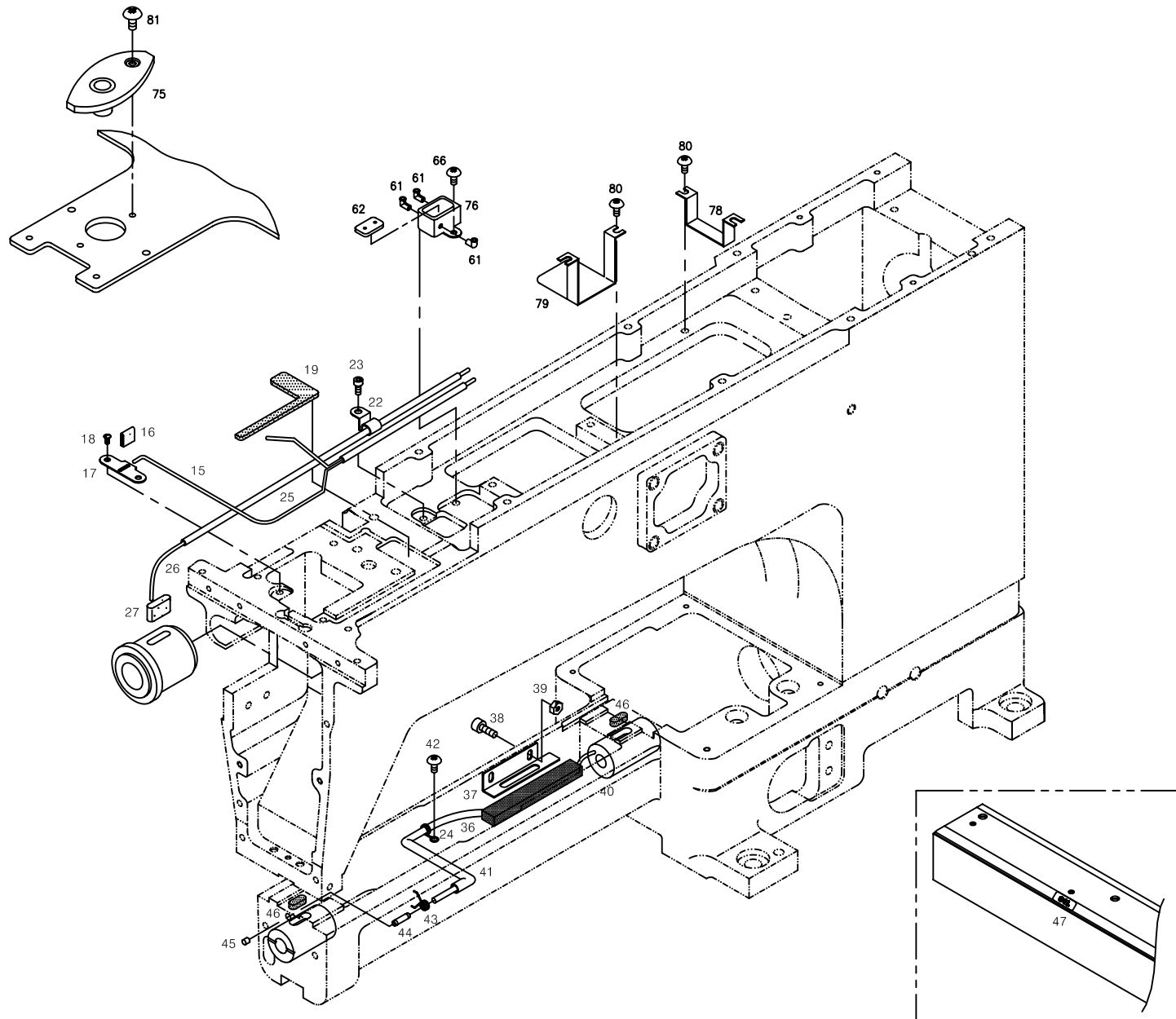
Control Box



R

Operation Unit





T

Lamp (Option)

