

RICOMA[®]

C SERIES EMBROIDERY MACHINE

PARTS LIST

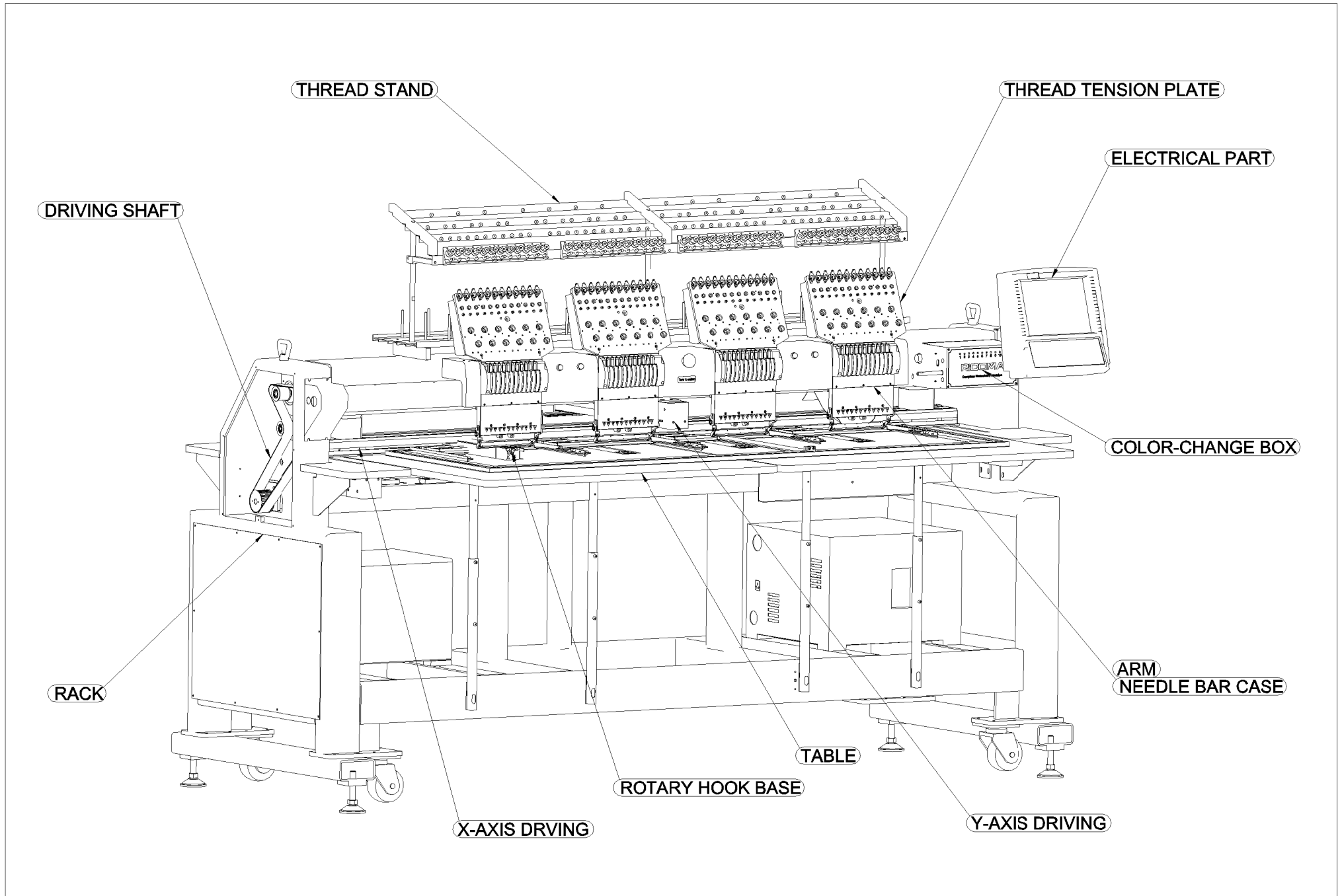
RiCOMA[®]

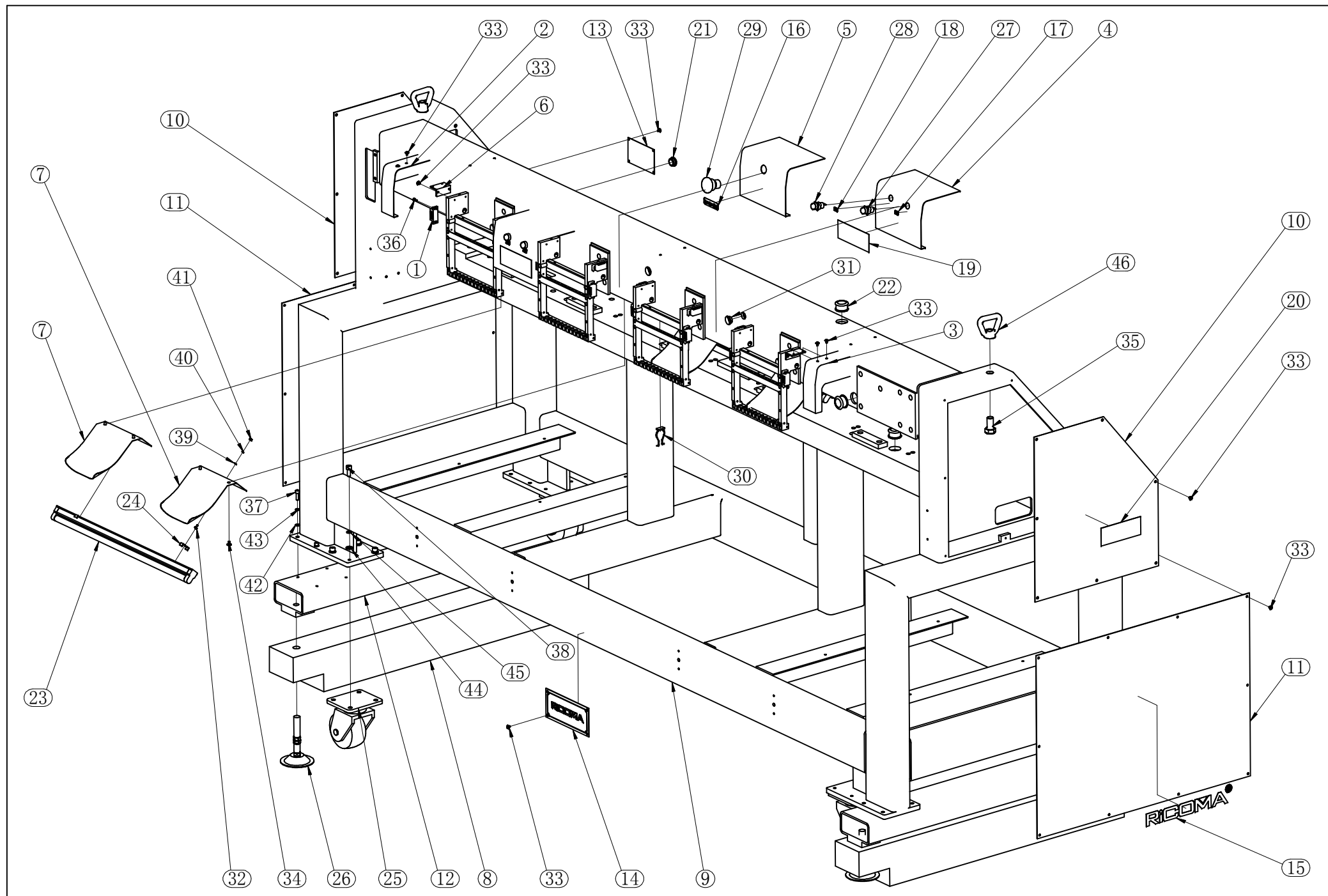
INDEX

1. GENERAL VIEW	1
2. RACK	2
3. TABLE	4
4. ARM-1.....	6
5. ARM-2.....	8
6. UPPER THREAD HOOK	10
7. NEEDLE BAR CASE	12
8. ROTARY HOOK BASE-1.....	14
9. ROTARY HOOK BASE-2.....	16
10. X-AXIS DRIVING A.....	18
11. X-AXIS DRIVING B.....	20
12. HEAVY CAP FRAME	22
13. CAP STAND FRAME.....	24

14. FRAME	26
15. Y-AXIS DRIVING-1	28
16. Y-AXIS DRIVING-2	30
17. DRIVING SHAFT-1	32
18. DRIVING SHAFT-2	34
19. COLOR-CHANGE BOX	36
20. 2 HEAD COLOR-CHANGE BOX	38
21. THREAD STAND	40
22. THREAD TENSION PLATE	42
23. ELECTRICAL PART	44

GENERAL VIEW

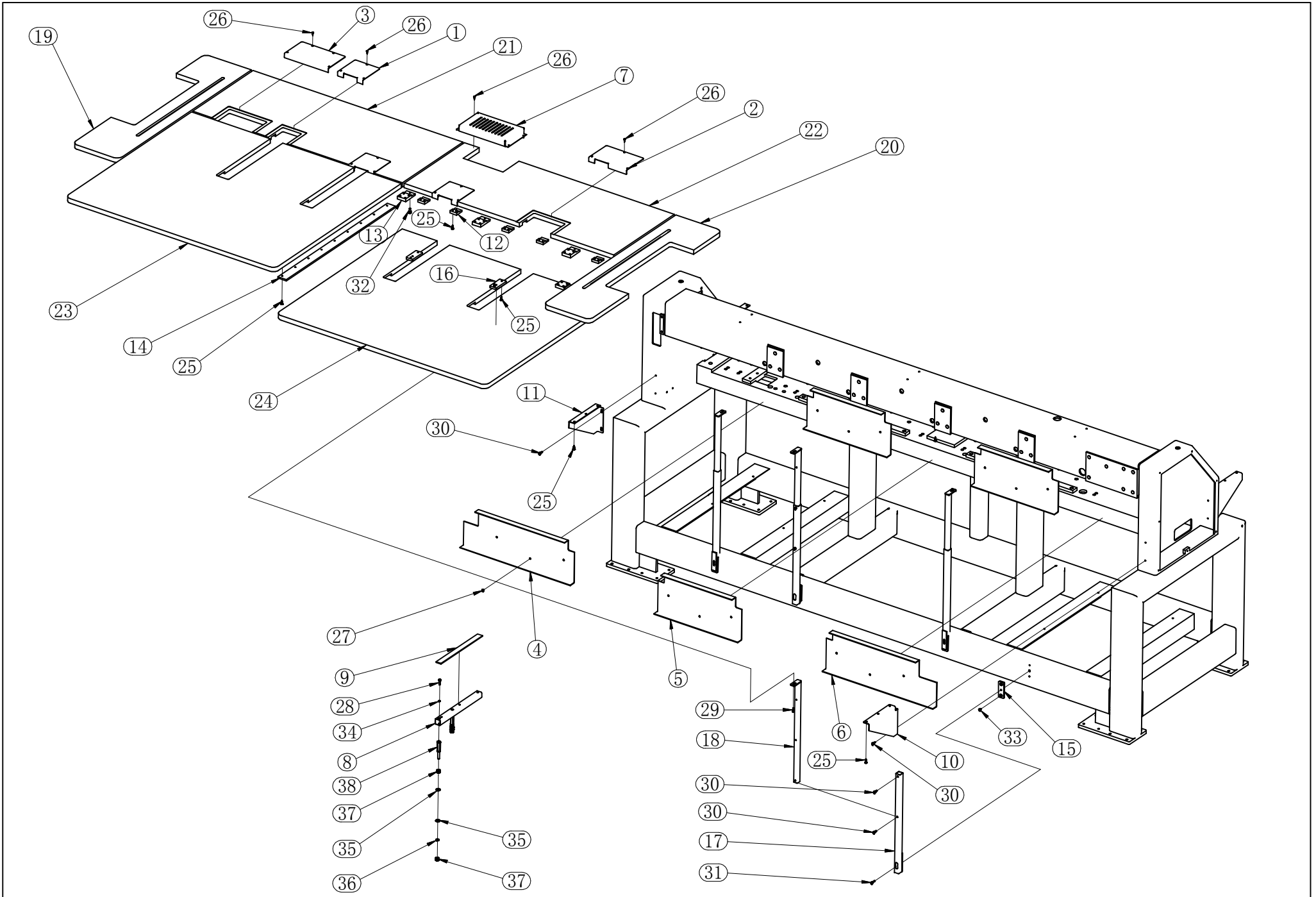




Rack

No	Part Number	Description
1	01227103	magnetic catch
2	01227112	arm cover-left
3	01227123	arm cover-right
4	01227152	arm cover-shut down
5	01227153	cover bracket
6	01227155	switch panel
7	02812101	baffle
8	21230113	rack cross
9	21230180	rack
10	21810201	case guard cover
11	21811201	rack lower cover
12	21811273	rack bottom beam
13	80050201	nameplate
14	80050202	logo
15	80050301	company logo
16	80050601	shutdown logo
17	80050602	stop logo
18	80050603	start logo
19	80050605	warning logo A
20	80050606	warning logo B
21	80220201	18 pore plug
22	80221001	threading jacket
23	80240101	fluorescent lamp

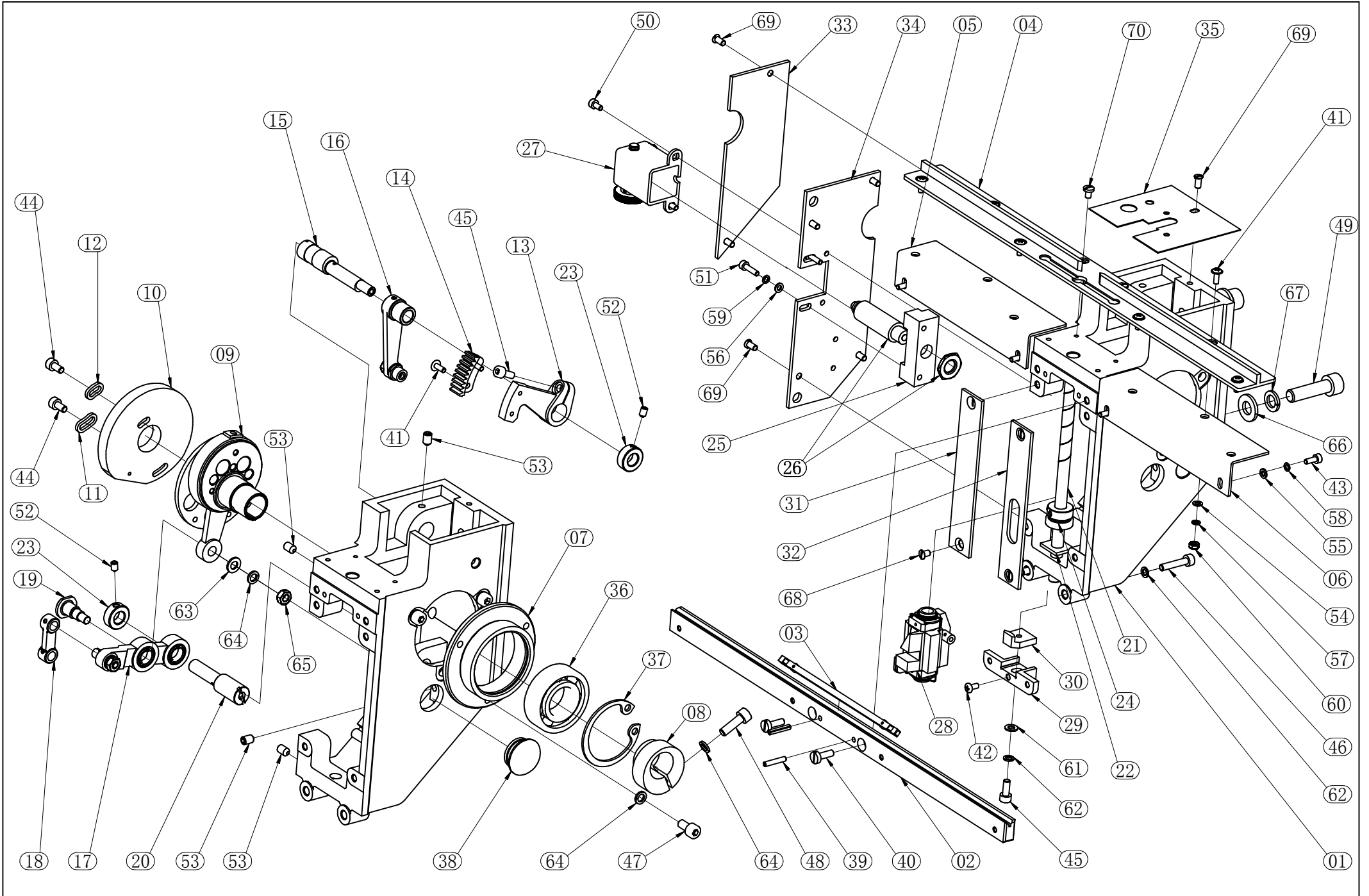
No	Part Number	Description
24	80240110	light base support
25	80270201	truckle
26	80276062	bracket
27	80350101	F16button-red
28	80350102	F16 button-green
29	80350301	emergency switch
30	80390280	suspension thread set
31	80390902	19 pore plug
32	80742308	M3x8 screw
33	80746406	M4x6 cross truss head screw
34	80746508	M5x8 cross truss head screw
35	80794630	M16x30 out hexagon
36	80813310	M3x10 hexagon cap
37	80813620	M6x20 hexagon cap
38	80813820	M8x20 hexagon cap
39	80900301	M3 plain washer
40	80900311	M3 spring washer
41	80900321	M3 plain nut
42	80900608	M6 plain washer
43	80900618	M6 spring washer
44	80900808	M8 plain washer
45	80900818	M8 spring washer
46	80920117	triangle ear

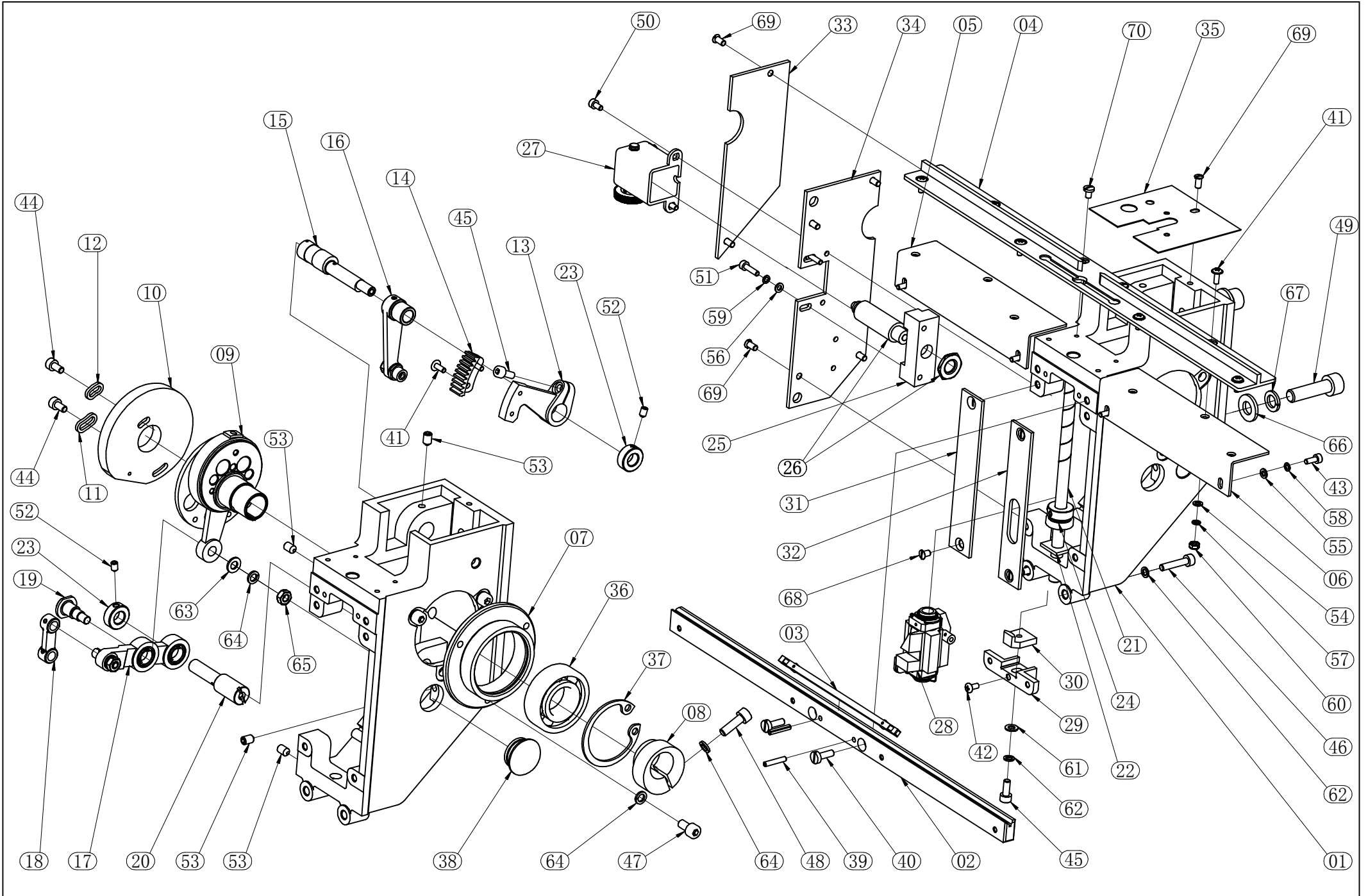


Table

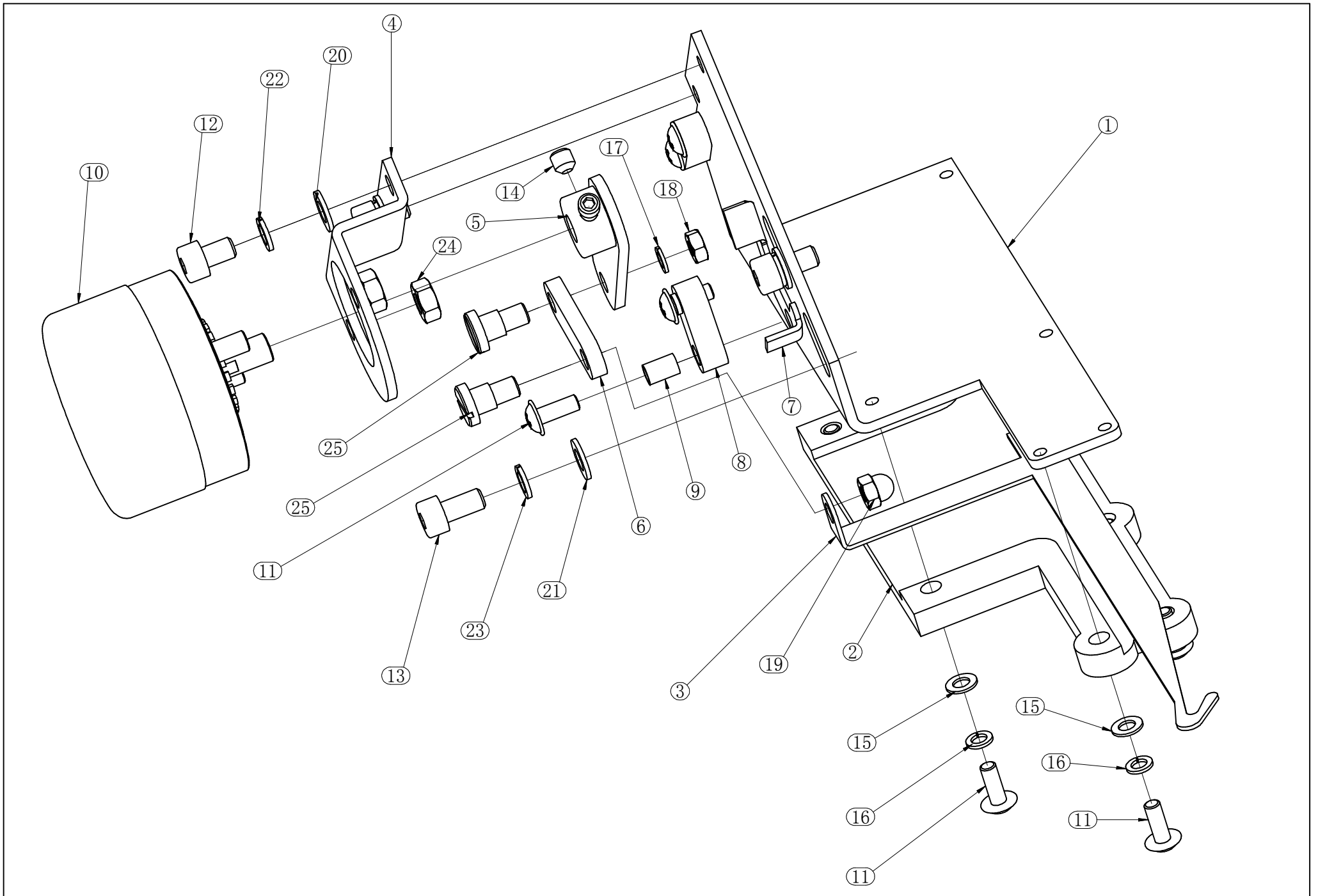
No	Part Number	Description
1	02701001	base back cover
2	02701002	base back cover-coder
3	02701051	trimming box cover
4	02701131	base lower cover-left
5	02701132	base lower cover
6	02701139	base lower cover-right
7	02703102	motor cover
8	02730102	table support
9	02730103	rubber cushion
10	02730141	table back cover-left
11	02730142	table back cover-right
12	02730201	table plastic block
13	02730202	lower table block
14	02730203	connecting plate-front
15	02730301	rack support base
16	02730304	table support bracket
17	02730312	upper table support
18	02730313	lower table support
19	21234101	table-A
20	21234102	table-Z
21	21234111	table- back A
22	21234112	table-back Z
23	21234121	table- front A

No	Part Number	Description
24	21234122	table-front Z
25	80700121	4x16 screw
26	80700302	3x12 screw
27	80746406	M4x6 screw
28	80810516	M5x16 screw
29	80813410	M4x10 screw
30	80813512	M5x12 screw
31	80813516	M5x16 screw
32	80813610	M6x10 screw
33	80860510	M5x10 screw
34	80900513	M5 spring washer
35	80900801	M8 plain washer
36	80900811	M8 spring washer
37	80900821	M8 hexagon nut
38	80920401	M8x35 talbe support bolt

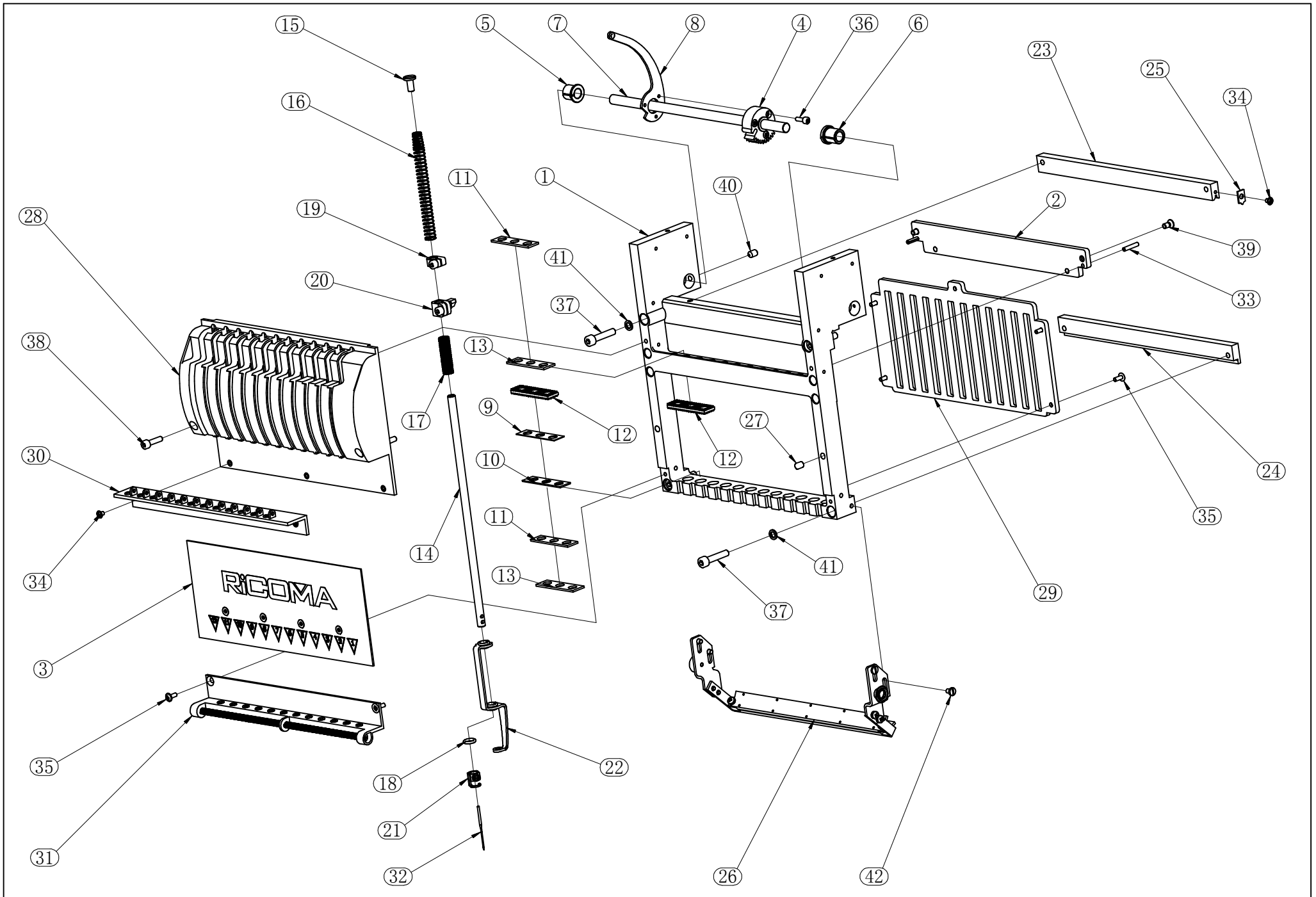




UPPER THREAD HOOK



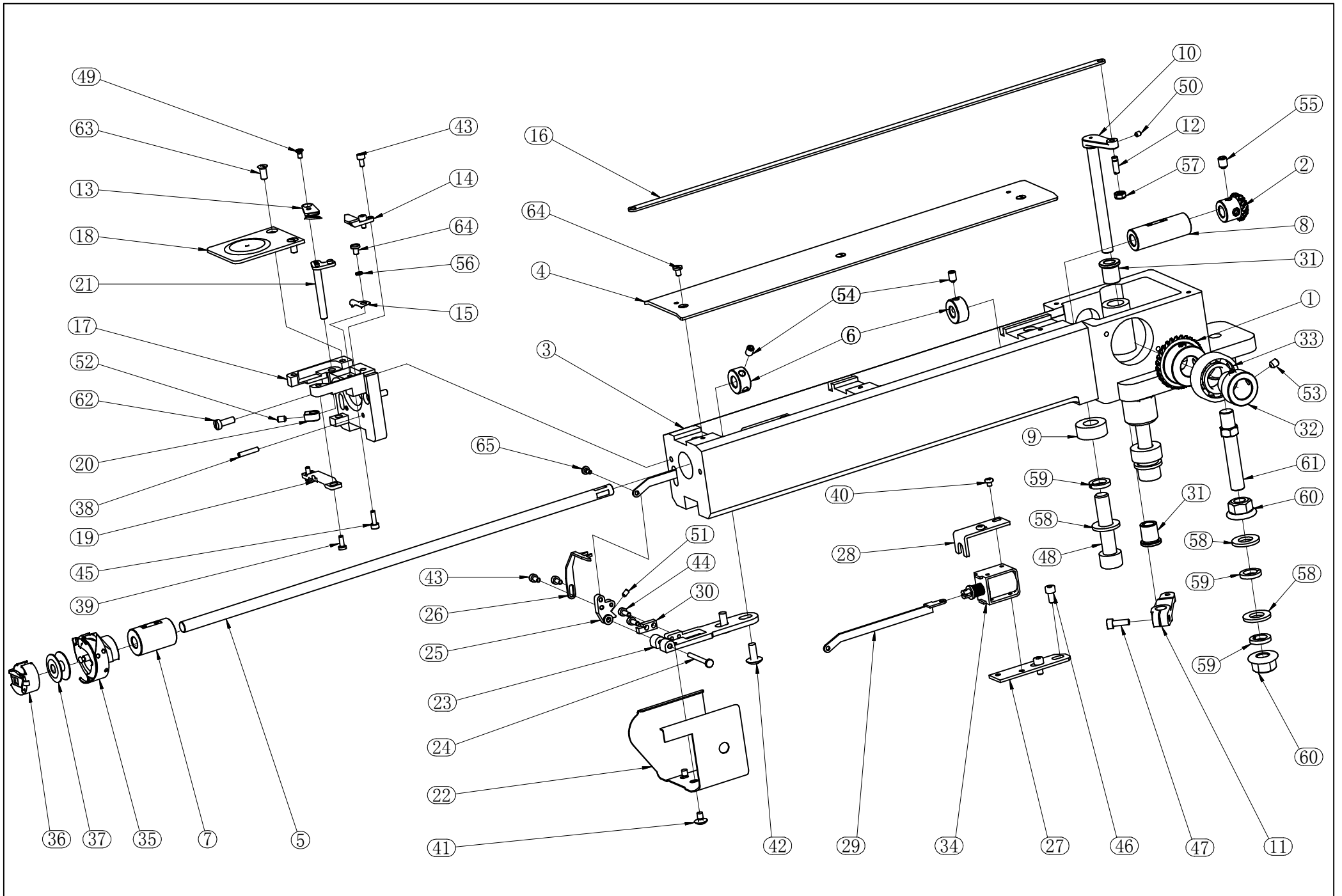
NEEDLE BAR CASE

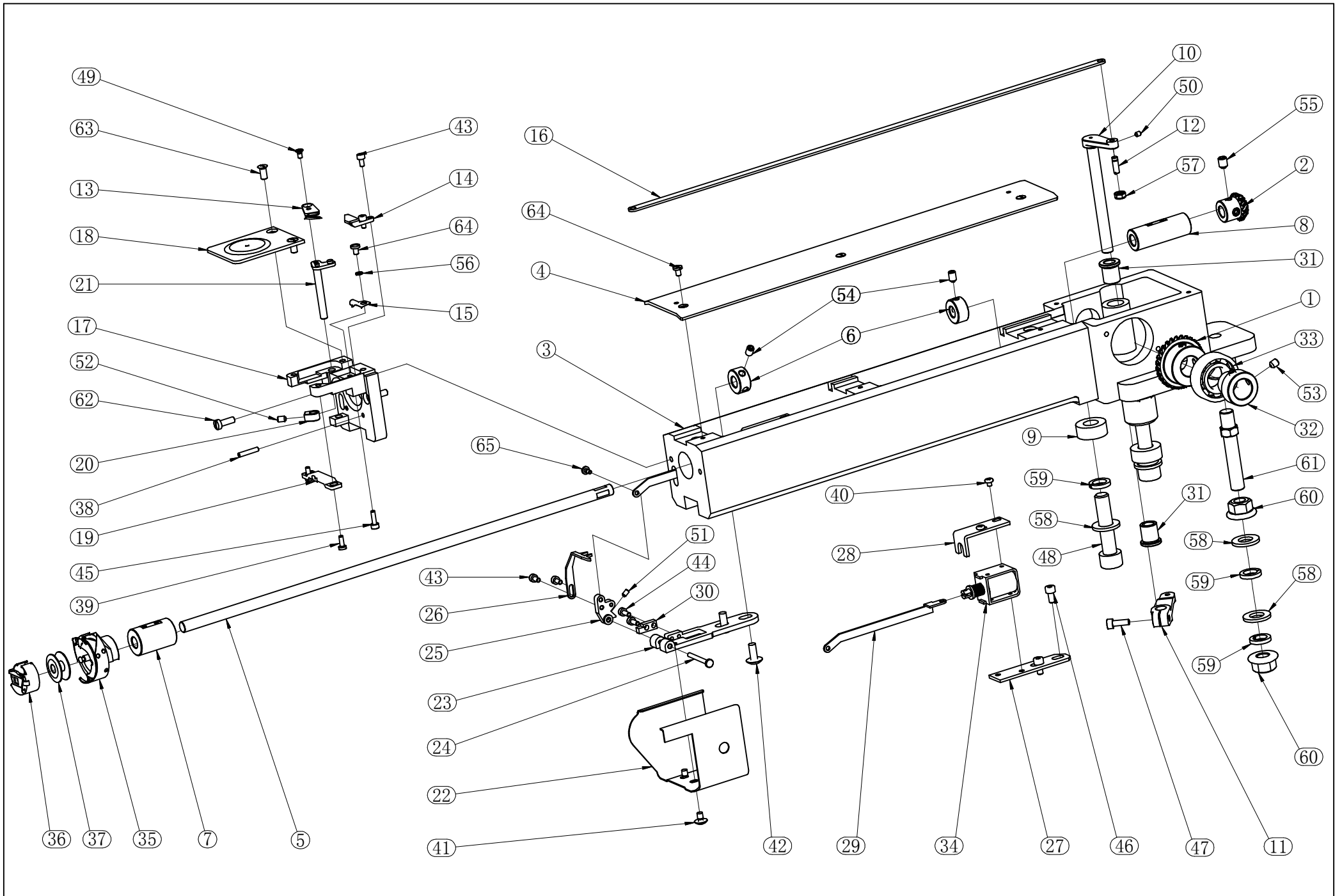


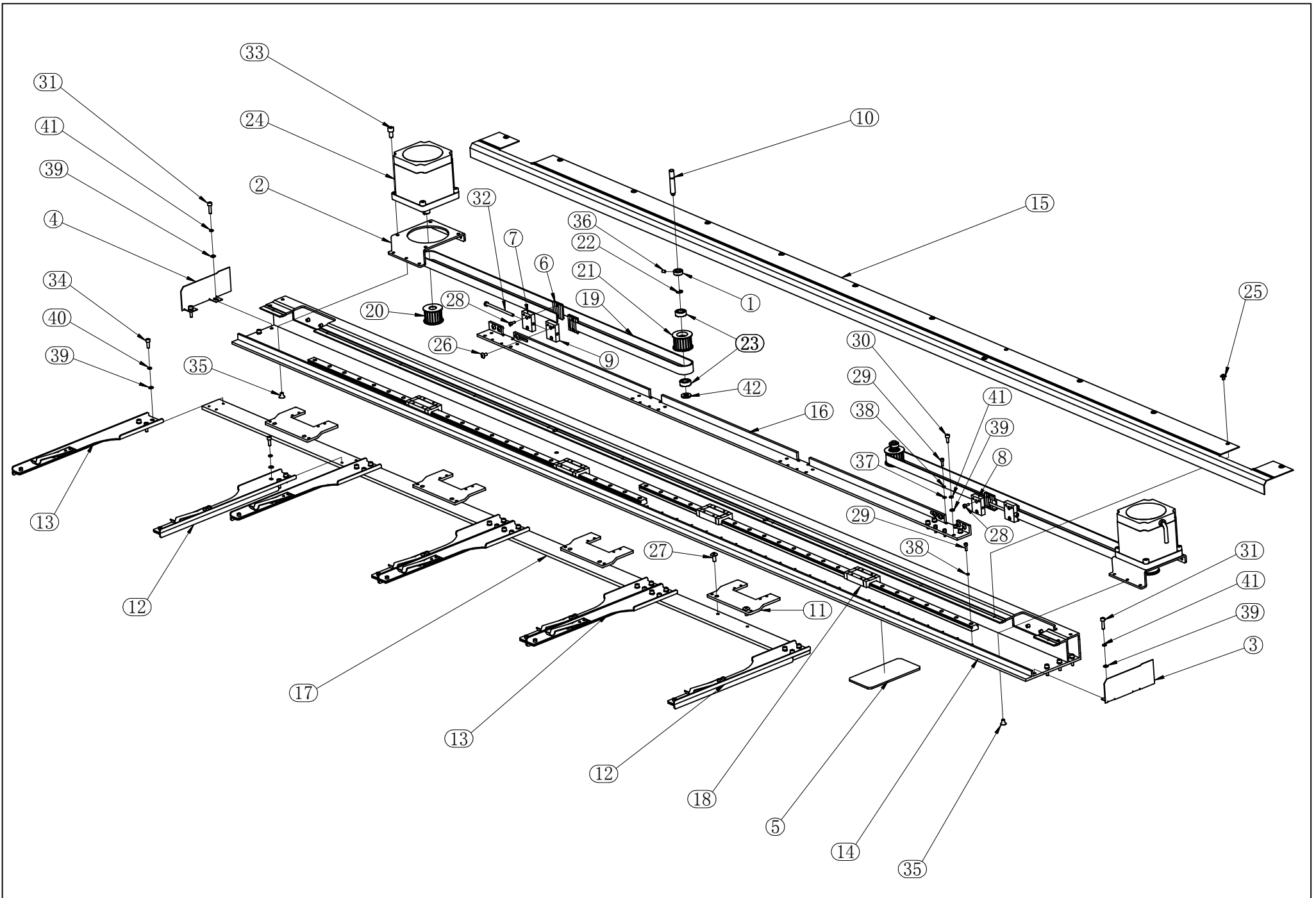
Needle Bar Case

No	Part Number	Description
1	01221112	needle bar case-JM
2	01221293	roller shaft
3	01221332	front bottom plate
4	01221501	take-up lever
5	01221520	take-up lever bushing-left
6	01221521	take-up lever bushing-rifht
7	01221532	take-up lever shaft
8	01221581	take-up lever bushing
9	01221601	3 pore cusion-0.5
10	01221602	3 pore cusion-1
11	01221604	3 pore cusion-2
12	01221605	rubber cusion
13	01221606	3 pore cusion
14	01222101	needle bar
15	01222102	needle bar screw
16	01222103	needble bar spring
17	01222108	presser foot spring
18	01222109	presser foot buffer
19	01222192	upper dead point stopper
20	01222193	needle bar connecting stud
21	01222194	bolt
22	01222195	presser foot
23	01223502	upper guide rail

No	Part Number	Description
24	01223512	lower guide rail
25	01223531	slider block
26	01226192	thread clamp
27	01227102	φ5x6 magnet
28	80210221	upper face plate
29	80210621	needle bar guide rail
30	80210781	thread passing
31	80210803	lower thread passing
32	80621101	needle
33	80685135	3x16 spring pin
34	80742304	M3x4 screw
35	80742308	M3x8 screw
36	80810310	M3x10 screw
37	80810525	M5x25 screw
38	80813416	M4x16 screw
39	80860408	M4x8 screw
40	80880508	M5x8 hexagon screw
41	80900513	M5 spring washer
42	80924150	9/64x5 screw



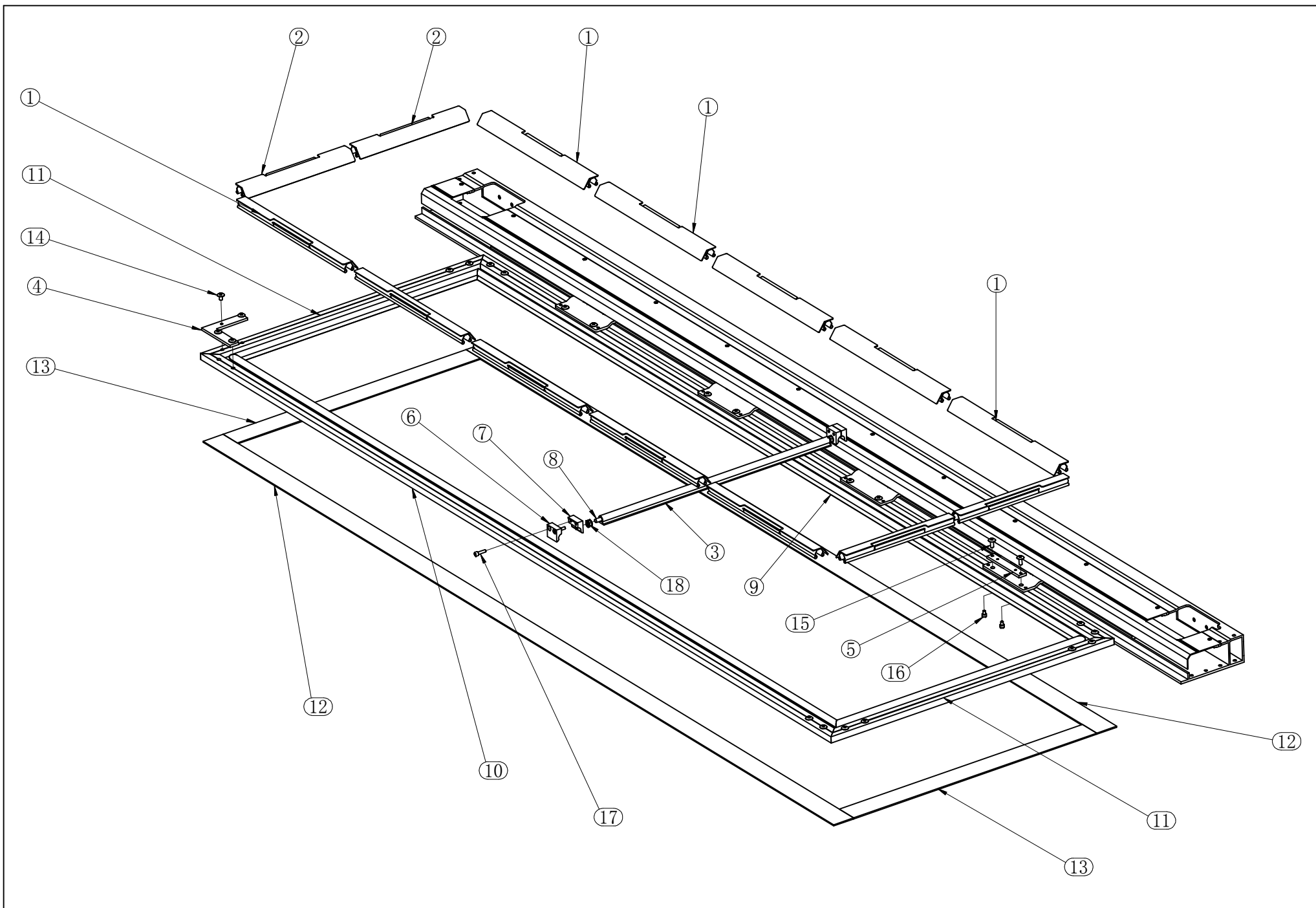


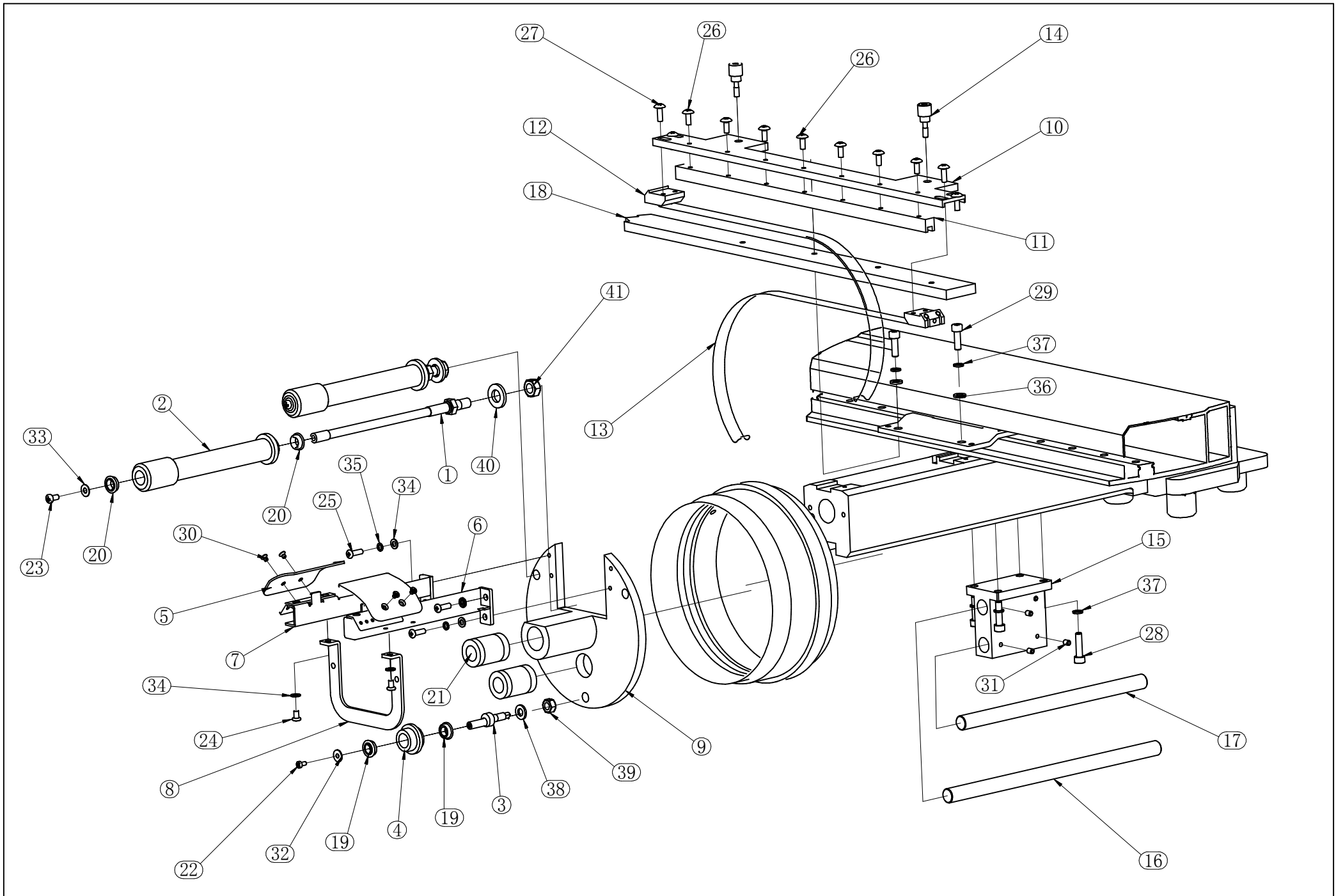


X-axis Driving A

No	Part Number	Description
1	01202280	baffle
2	02511151	x-axis motor base 90
3	02512203	x-axis shaft cover-right
4	02512204	x-axis shaft cover-left
5	02512205	felt
6	02512221	M5 presser plate
7	02512222	belt adjuston plate
8	02512223	belt adjuston slide plate-right
9	02512224	belt adjuston slide plate-right
10	02512225	axle
11	02513101	x-axis frame connecting plate
12	02540109	frame holder-right
13	02540119	frame holder-left
14	21233101	x-axis driving shaft
15	21233102	x-axis shaft cover
16	21233103	slide presser plate
17	21233104	connecting plate
18	80011153	guide rail-900
19	80025180	x-axis synchronous belt
20	80025201	20-5M-22 T12 belt
21	80025202	20-5M-22 DS19 belt
22	80030671	spring
23	80030822	bearing-19-8-6

No	Part Number	Description
24	80308601	86 stepping motor(86BYGH-28)
25	80746406	M4x6 screw
26	80746408	M4x8 screw
27	80746512	M5x12 screw
28	80810308	M3x8 screw
29	80010310	M3x10 screw
30	80810410	M4x10 screw
31	80810416	M4x16 screw
32	80810470	M4x70screw
33	80810614	M6x14screw
34	80813412	M4x12 screw
35	80866508	M4x8 screw
36	80880406	M4x6 screw
37	80900301	M3 plain washer
38	80900313	M3 spring washer
39	80900401	M4 plain washer
40	80900411	M4 spring washer
41	80900413	M4 spring washer
42	80900801	M8 Plain washer

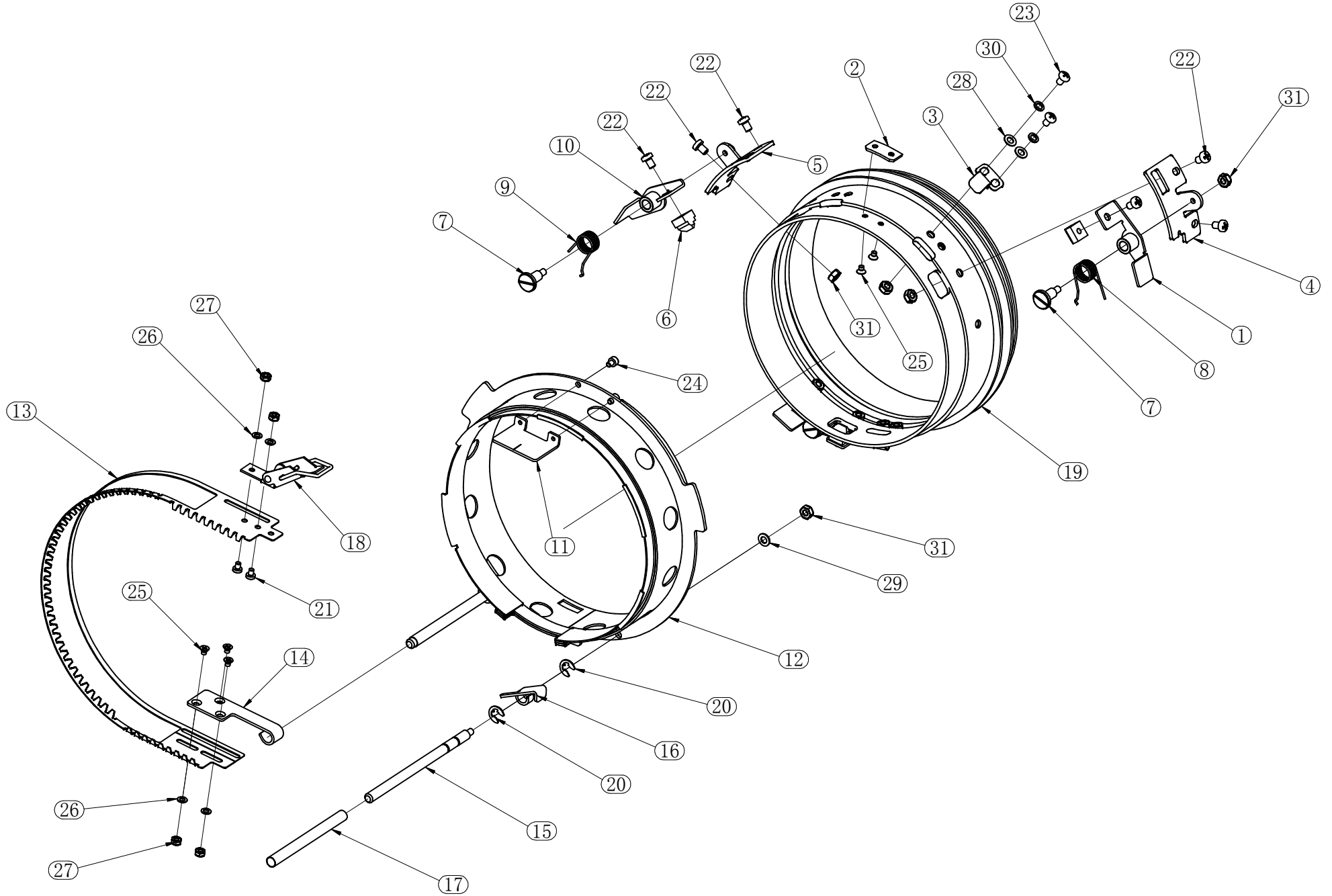


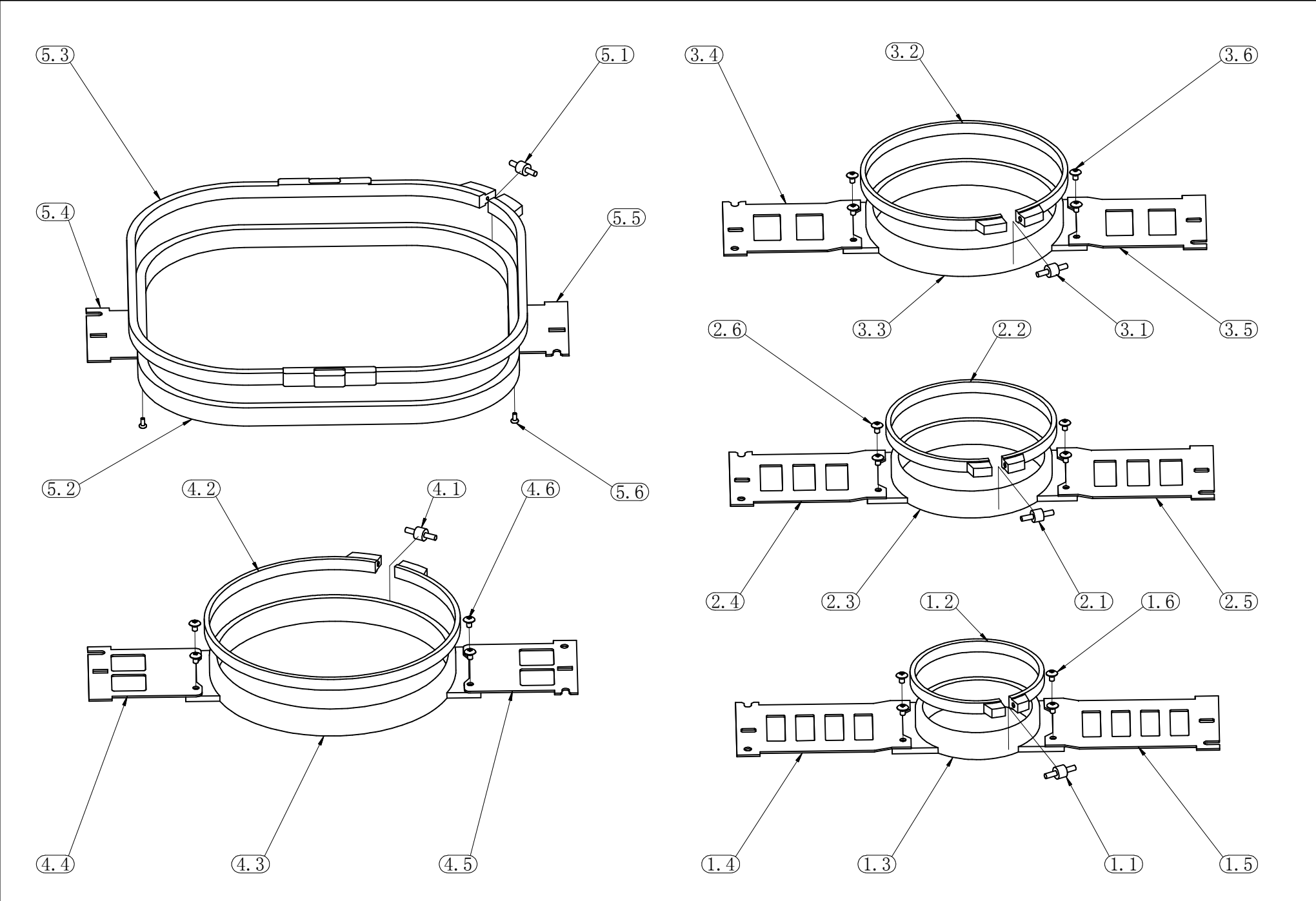


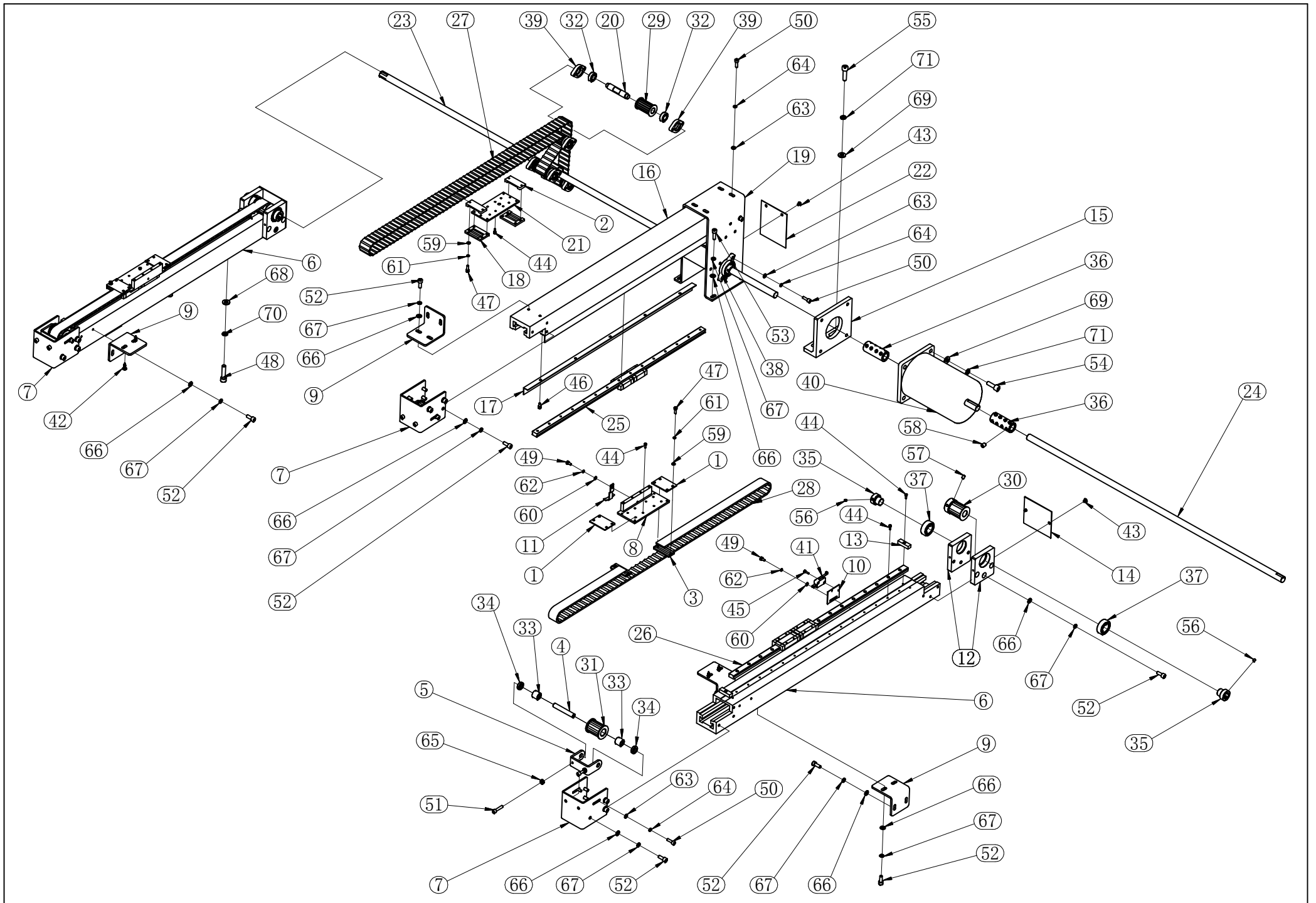
Heavy Cap Frame

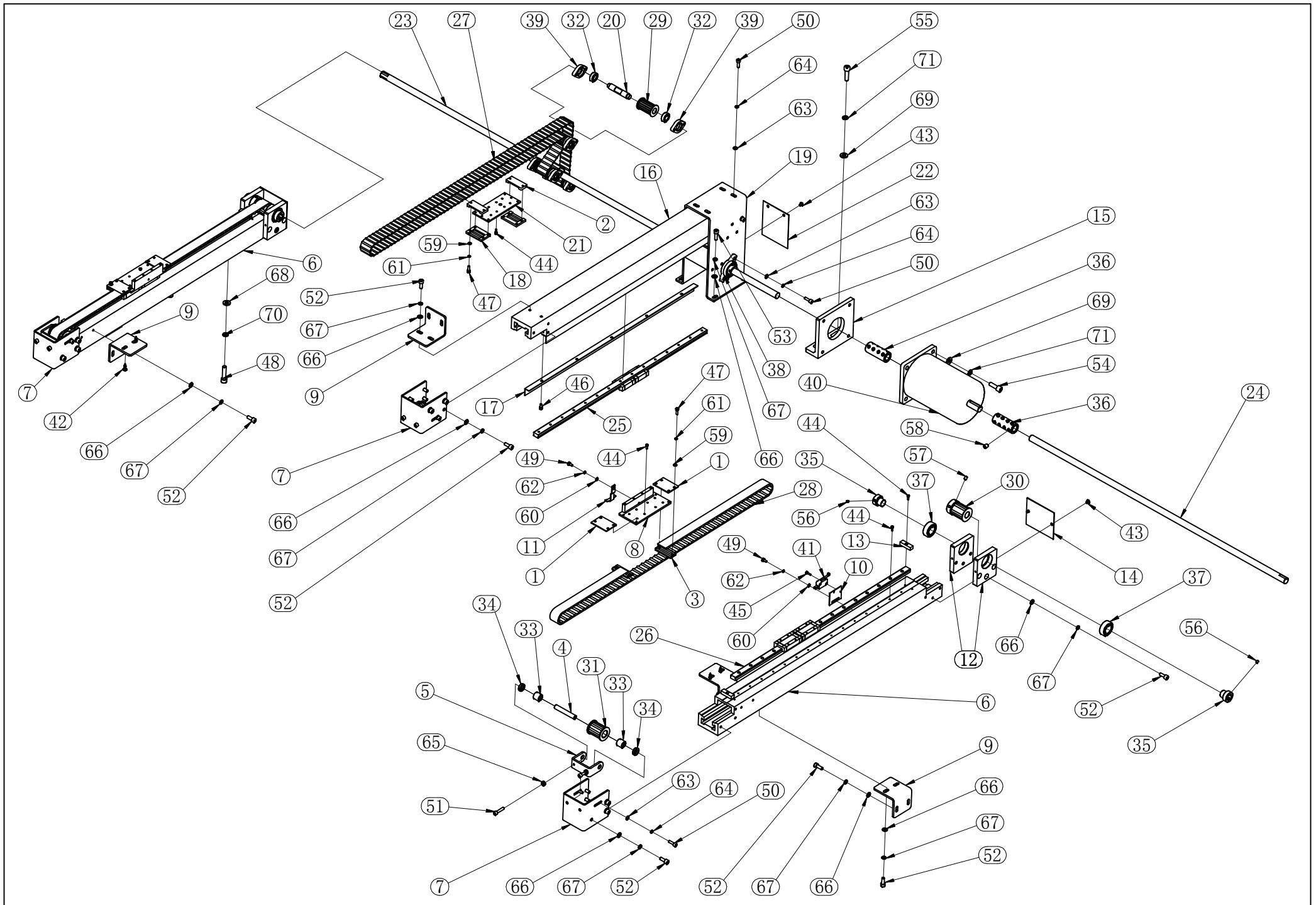
No	Part Number	Description
1	02810102	roller shaft
2	02810103	roller wheel
3	02810105	eccentric pin
4	02810106	cap roller
5	02811203	support
6	02811228	bracket-L
7	02811229	bracket-R
8	02811231	U stand
9	02814105	cap base
10	02814110	cap bracket
11	02814111	guide rail
12	02814112	fixing nob
13	02814114	steel wire
14	02814121	support screw
15	02814151	support base
16	02814152	upper shaft
17	02814153	lower shaft
18	21233105	installation plate
19	80030641	12-6-4 bearing
20	80030842	12-8-6 bearing
21	80031301	linear bearing
22	80740306	M3x6 screw
23	80740408	M4x8 screw

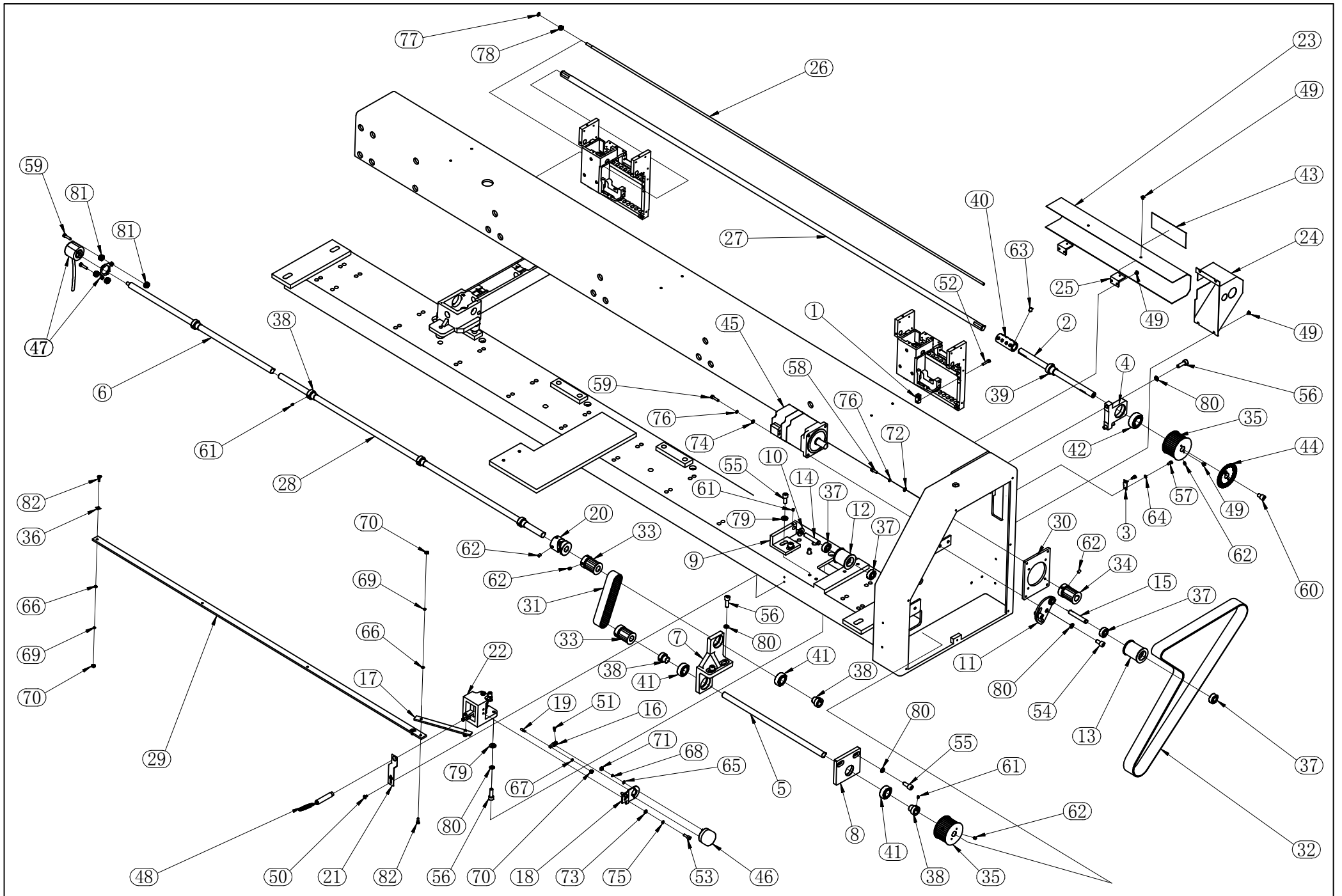
No	Part Number	Description
24	80744406	M4x6 screw
25	80744412	M4x12 screw
26	80746410	M4x10 screw
27	80746412	M4x12 screw
28	80810520	M5x20 screw
29	80813516	M5x16 screw
30	80860304	M3x4 screw
31	80880406	M4x6 screw
32	80900310	M3 washer
33	80900405	M4 plain washer
34	80900408	M4 spring washer
35	80900418	M4 washer
36	80900502	M5 spring washer
37	80900513	M6 washer
38	80900602	M6 spring washer
39	80900621	M6 nut
40	80900802	M8 washer
41	80900821	M8 nut











Driving Shaft-1

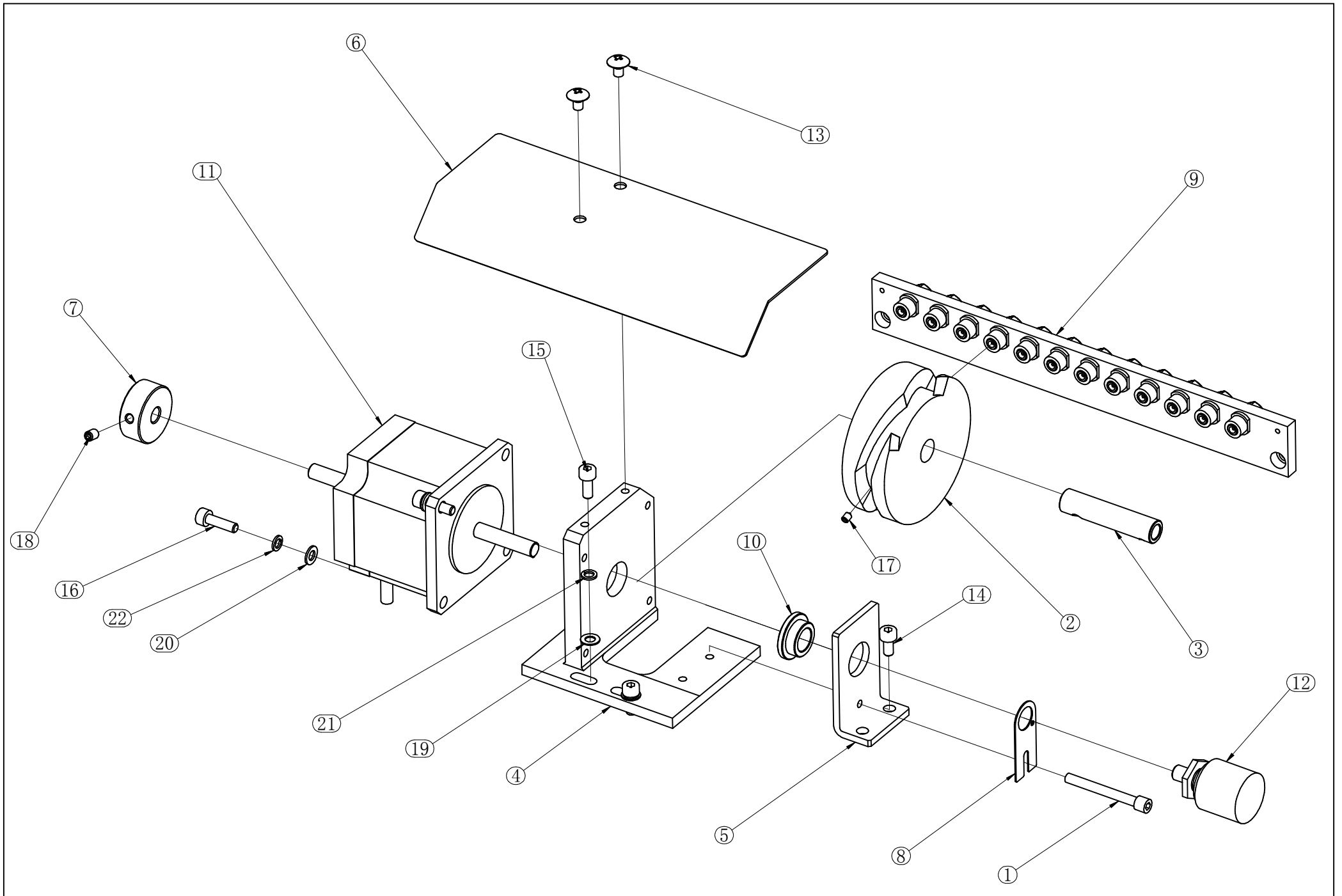
No	Part Number	Description
1	01221401	color-change positioning plate
2	02311101	upper shaftZ
3	02311102	dial index
4	02311111	42 bearing bracket
5	02312101	lower shaft Z
6	02312102	coder shaft-540
7	02312112	bearing plate
8	02312113	bearing base
9	02312120	tension base
10	02312121	tension pulley block
11	02313103	tension support
12	02313110	36 tension pulley
13	02313111	46 tension pulley
14	02313112	tension shaft-53
15	02313113	tension shaft-63
16	02400104	trimming driving bar
17	02400110	trimming connecting bar
18	02400120	trimming solenoid plate
19	02400123	roller-6 sets
20	02400139	trimming cam
21	02400151	switch bracket
22	02400181	trimming case cam
23	02702101	shafte cover-480

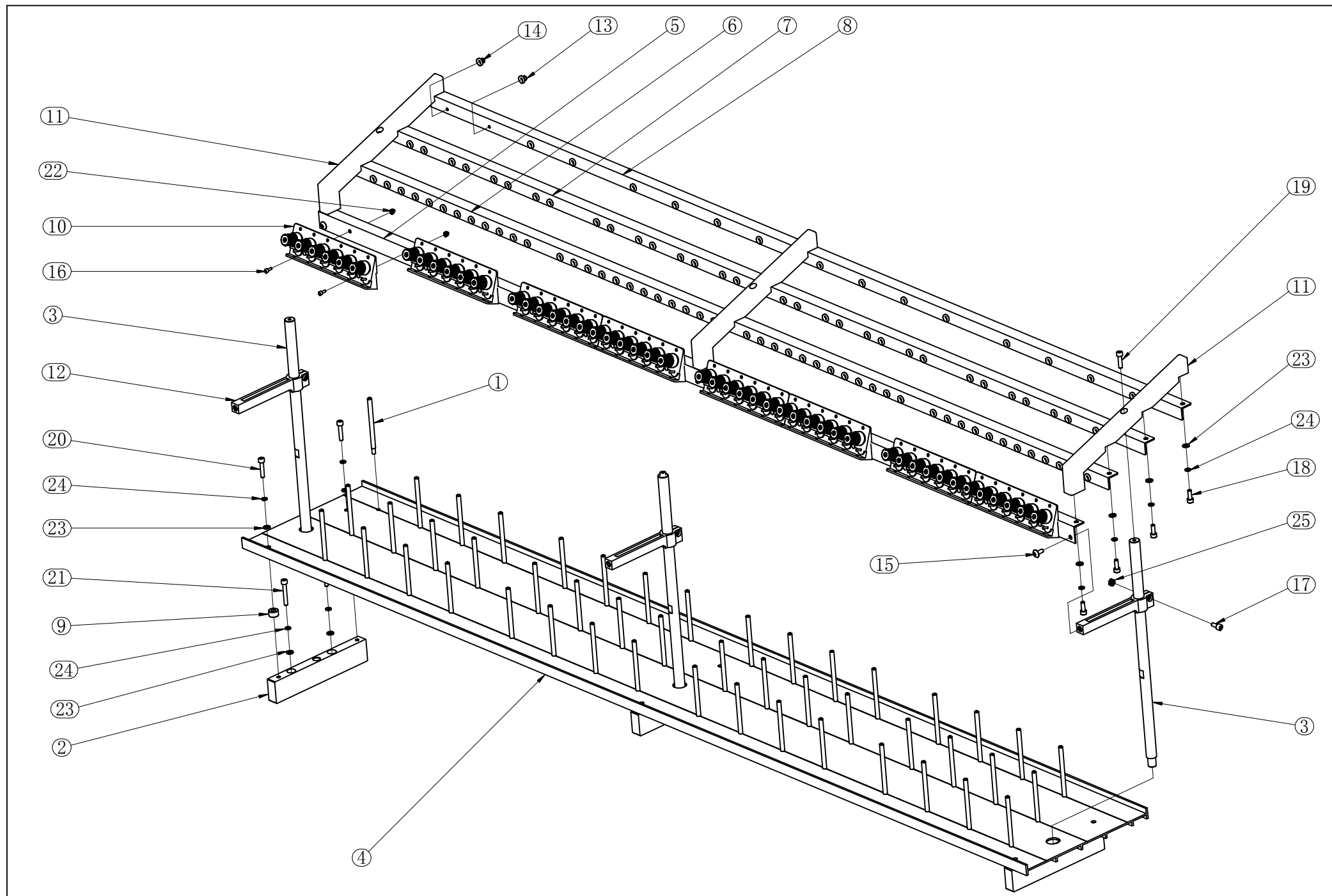
No	Part Number	Description
24	02702102	shaft bearing cover
25	02702105	shaft bracket
26	21235101	bar shaft
27	21235201	upper shaft
28	21235203	lower shart
29	21235211	Drive coupler
30	21810231	70-90 motor base
31	80025112	350-5M-25 synchronous belt
32	80025122	1350-5M-25synchronous belt
33	80025223	20-5M-36-15strap pulley A
34	80025224	20-5M-40-16 strap pulley B
35	80025241	40-5M-40-15strap pulley A
36	80030562	copper washer
37	80031022	bearing
38	80031501	bearing case 17
39	80031502	bearing case 20
40	80031511	bearing case 15
41	80031722	35-17-10 bearing

Driving Shaft-2

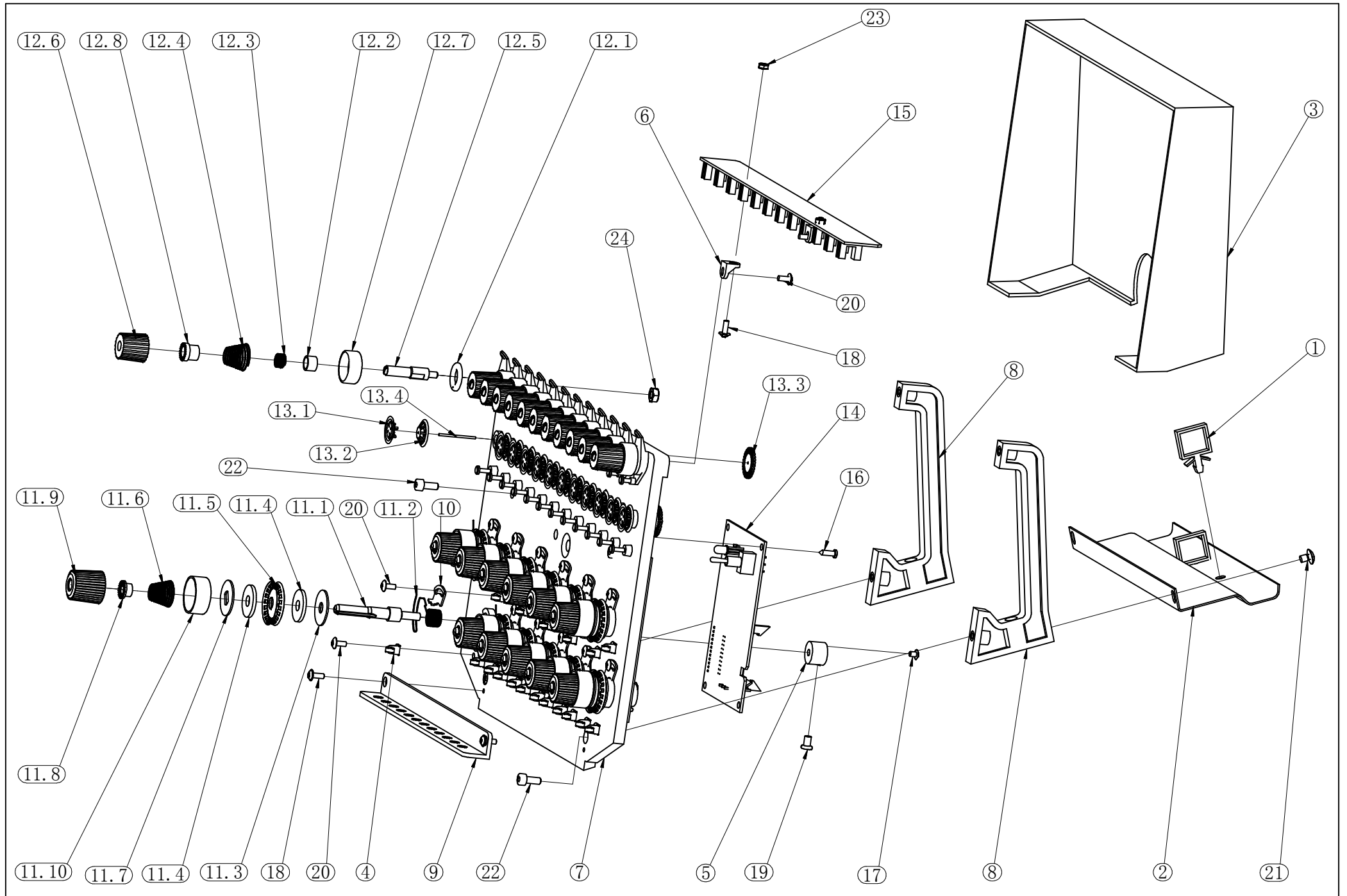
No	Part Number	Description
42	80032022	42-20-12 bearing
43	80050101	70 dial
44	80050606	warning logo B
45	80310852	servo motor 80BL(4)A-50
46	80320206	trimming solenoid
47	80330101	coder
48	80333602	close switch
49	80746406	M4x6 screw
50	80746408	M4x8 screw
51	80810308	M3x8 screw
52	80810420	M4x20 screw
53	80810516	M5x16 screw
54	80810816	M8x16 screw
55	80810820	M8x20 screw
56	80810825	M8x25 screw
57	80813408	M8x25 screw
58	80813514	M5x14 screw
59	80813520	M5x20 screw
60	80813812	M8x12 screw
61	80880506	M5x6 hexagon bolt
62	80880608	M6x8 hexagon screw
63	80880808	M8x8 hexagon screw
64	80900401	M4 plain washer

No	Part Number	Description
65	80900404	M4 washer
66	80900408	M4 washer
67	80900411	M4 spring washer
68	80900413	M4 spring washer
69	80900418	M4 spring washer
70	80900421	M4 nut
71	80900423	M4 nut
72	80900501	M5 plain washer
73	80900503	M5 plain washer
74	80900508	M5 washer
75	80900513	M5 spring washer
76	80900518	M5 spring washer
77	80900618	M6 spring washer
78	80900628	M6 nut
79	80900803	M8 plain washer
80	80900813	M8 spring washer
81	80900828	M8 nut
82	80924210	M4x12-5x5.5 bolt





THREAD TENSION PLATE



Thread Tension Plate

No	Part Number	Description
1	01222203	picker bushing
2	01222212	thread support
3	80210103	thread course cover
4	80210104	thread hook
5	80210105	thread break test column
6	80210106	PCB bracket
7	80210181	thread course
8	80210307	long support
9	80210510	upper thread course set
10	80211110	positioning plate
11	80211180	tension set
11.1	80211101	tension bolt
11.2	80211102	take-up spring
11.3	80211103	insulation washer
11.4	80211104	felt washer
11.5	80211105	rubber thread course
11.6	80211106	tension spring
11.7	80211107	tension washer
11.8	80211108	anti-loosing washer
11.9	80211121	tension regulator
11.10	80211122	tension bushing
12	80211281	mode switch
12.1	80211212	thread-clip gasket

No	Part Number	Description
12.2	80211213	iron ring
12.3	80211214	inner spring
12.4	80211215	spring
12.5	80211216	tension screw
12.6	80211217	mode switch
12.7	80211218	thread tension hoop
12.8	80211219	mode button
13	80211371	thread break test column set
13.1	80211301	thread course wheel
13.2	80211302	thread course wheel
13.3	80211303	bottom test wheel
13.4	80211309	thread passing axle
14	80230770	PCB plate
15	80230771	PCB plate
16	80700203	M3x20 screw
17	80742304	M3x4 screw
18	80742308	M3x8 screw
19	80744406	M4x6 screw
20	80746306	M3x6 screw
21	80746406	M4x6 screw
22	80813410	M4x10 screw
23	80900321	M3 nut
24	80410521	M5 nut

ELECTRICAL PART

