

A Passion Excellence

PARTS LIST

FOR SINGLE HEAD MACHINE

0601PT/1201PT/1501PT



RICOMA®

2011/12 V2.0

INDEX

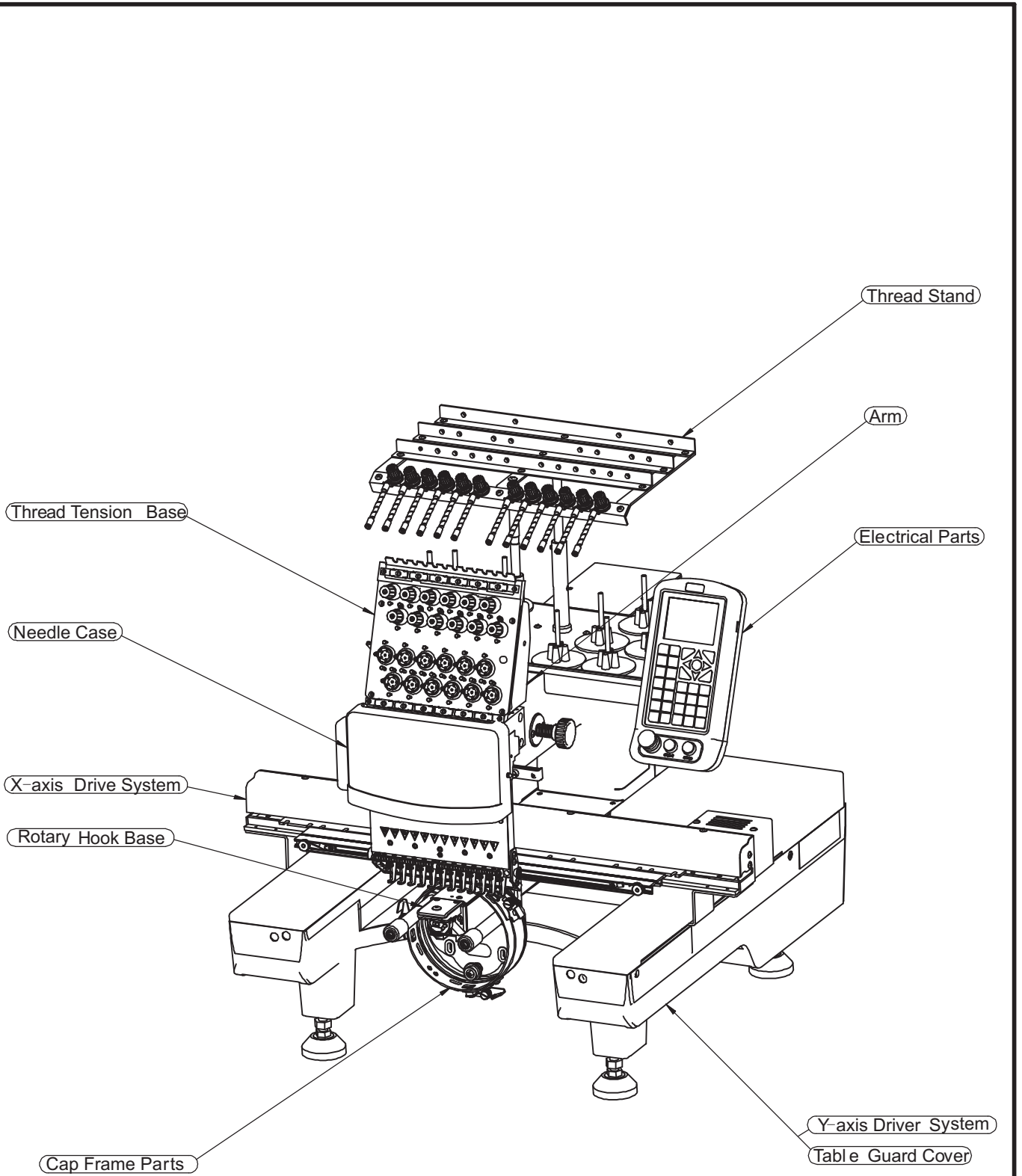
Standard Device

00. General View	1
01. Table & Guard Cover	2
02. Rotary Hook Base	4
03. Trimming Parts	6
04. Arm	8
05. Needle Bar Driving Parts	10
06. Upper Thread Hook	12
07. Color Change System	14
08. Needle Case A	16
09. Needle Case B-1	18
Needle Case B-2	20
10. X-axis Drive System	22
11. Y-axis Drive System	24
12. Thread Tension Base	26
13. Thread Stand	28
14. Stand	30
15. Electrical Parts	32
16. Embroidery Frame	34
17. Cap Frame parts	36
18. Cap Stand Frame	38

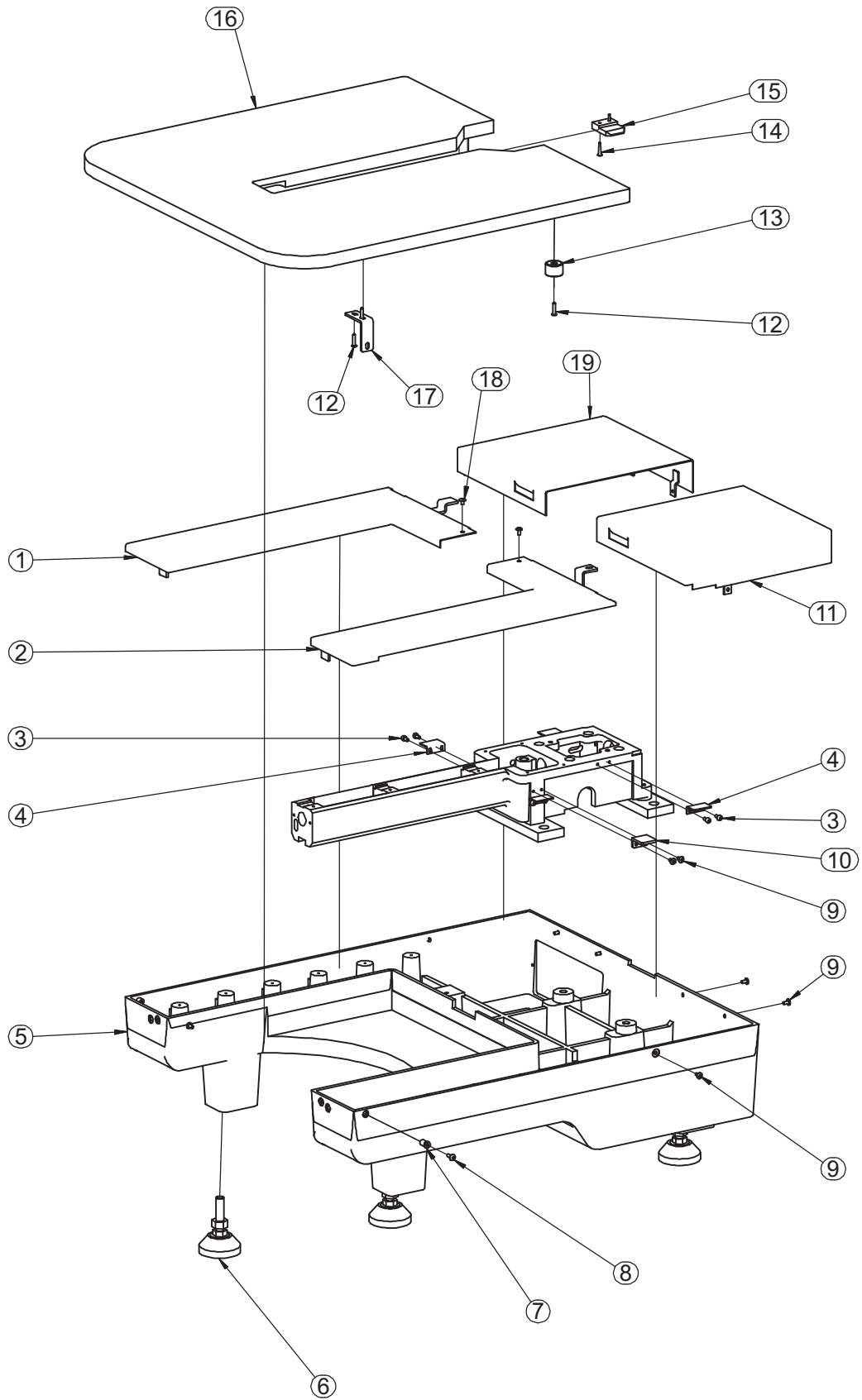
Optional Device

19. X-axis Widened Drive System	40
20. Embroidery Frame	42
21. Sequins Embroidery Device - 1	44
Sequins Embroidery Device - 2	46

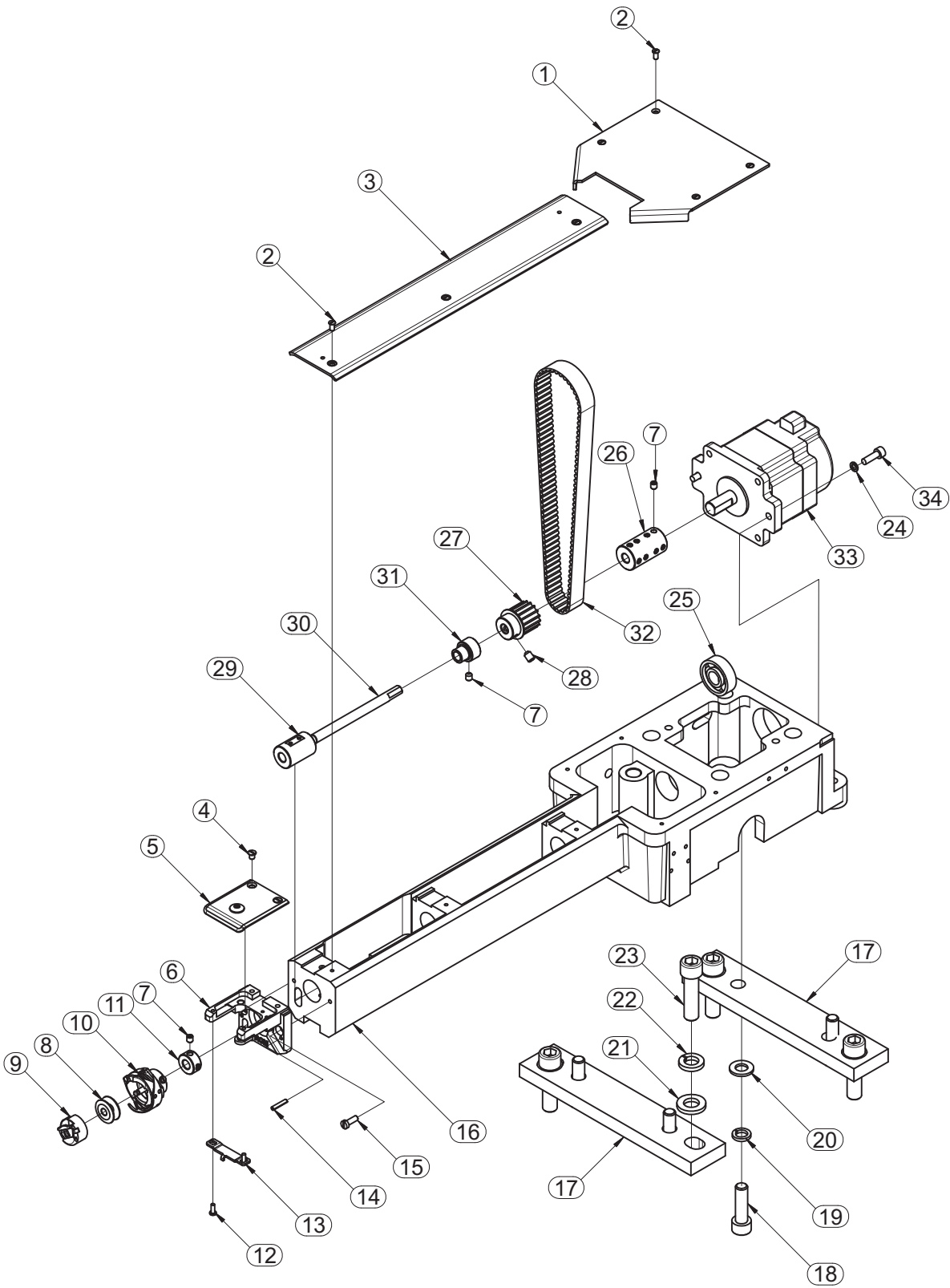
00 General View



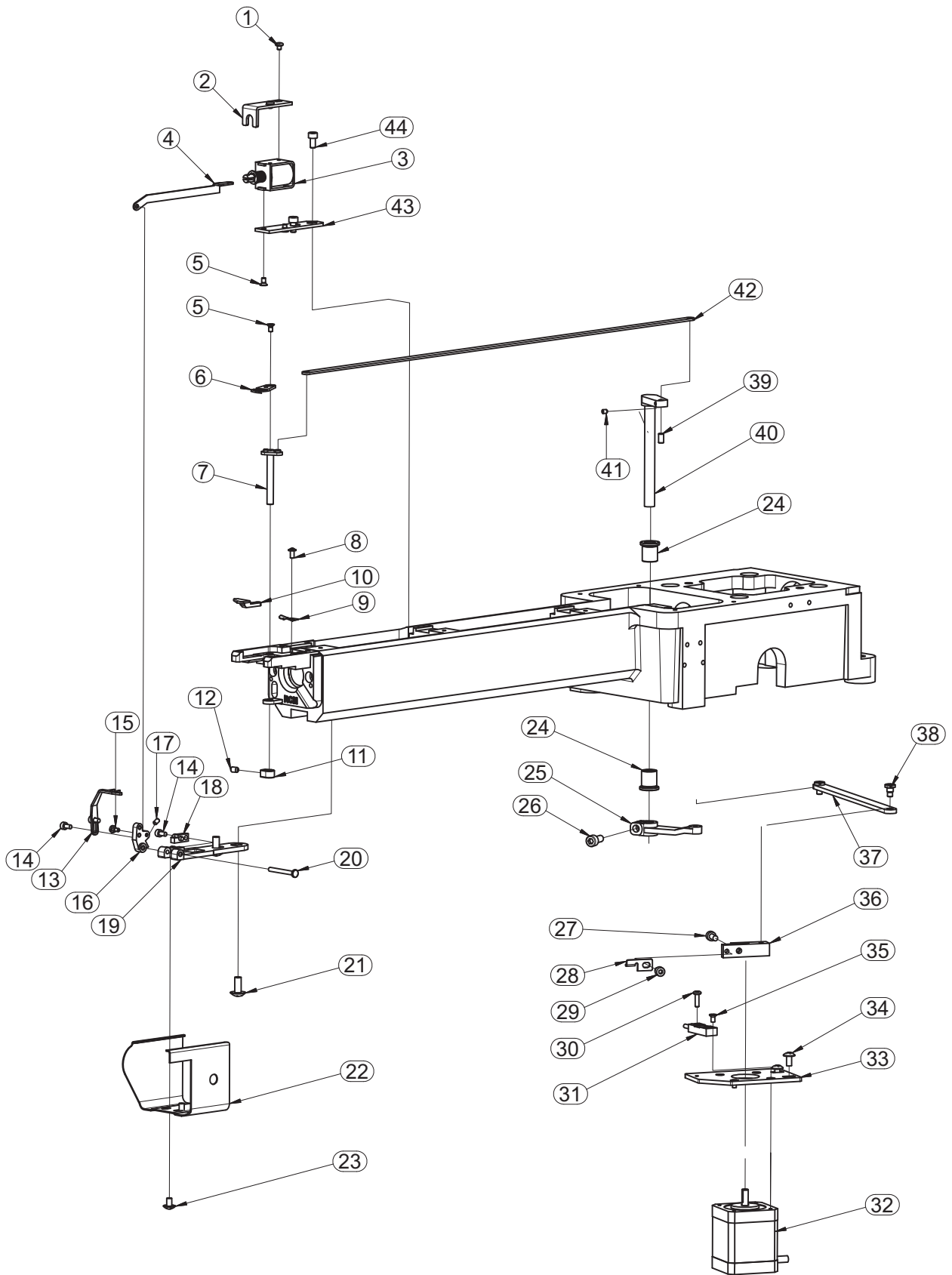
01. Table & Guard Cover



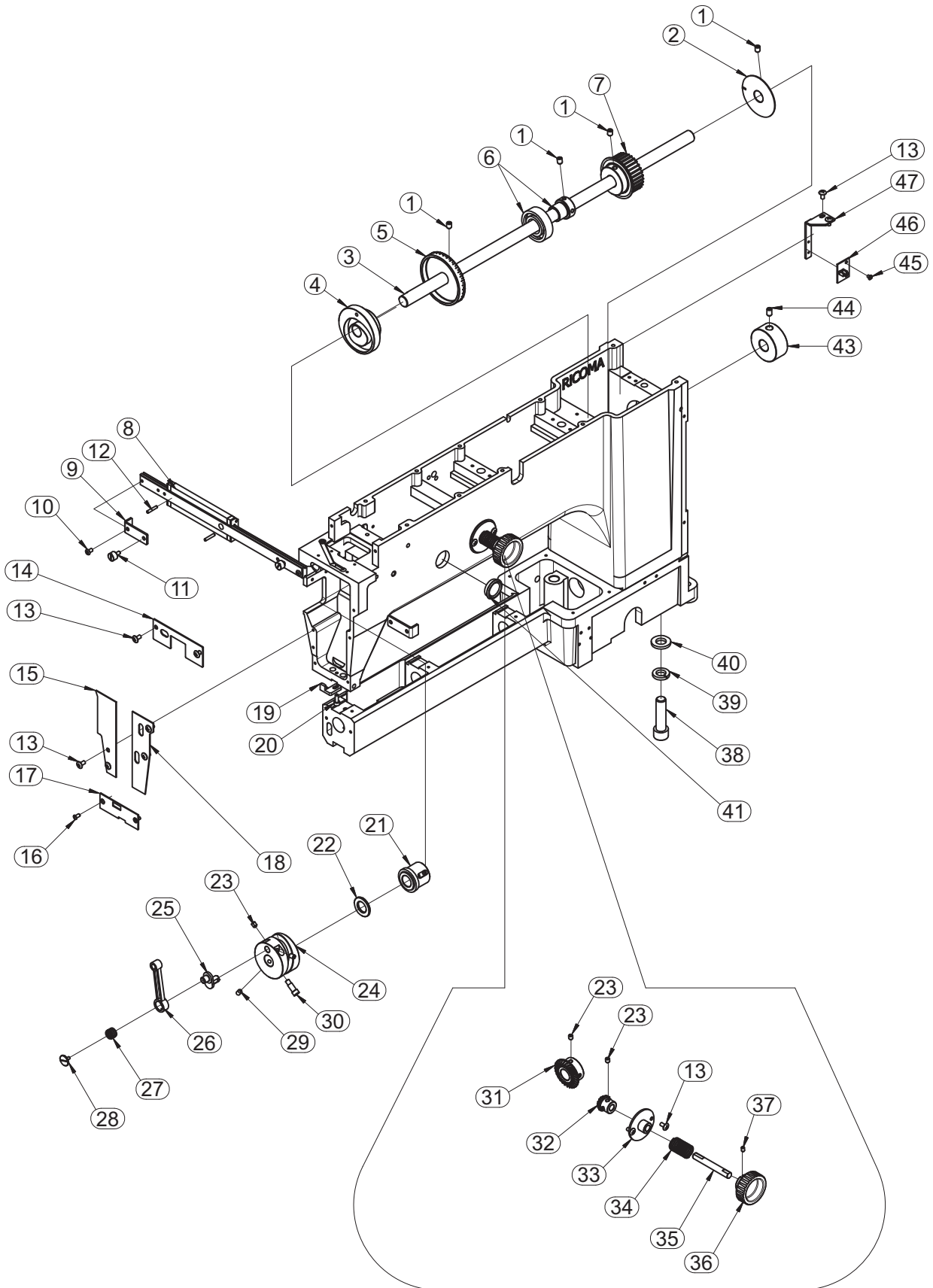
02. Rotary Hook Base



03. Trimming Parts



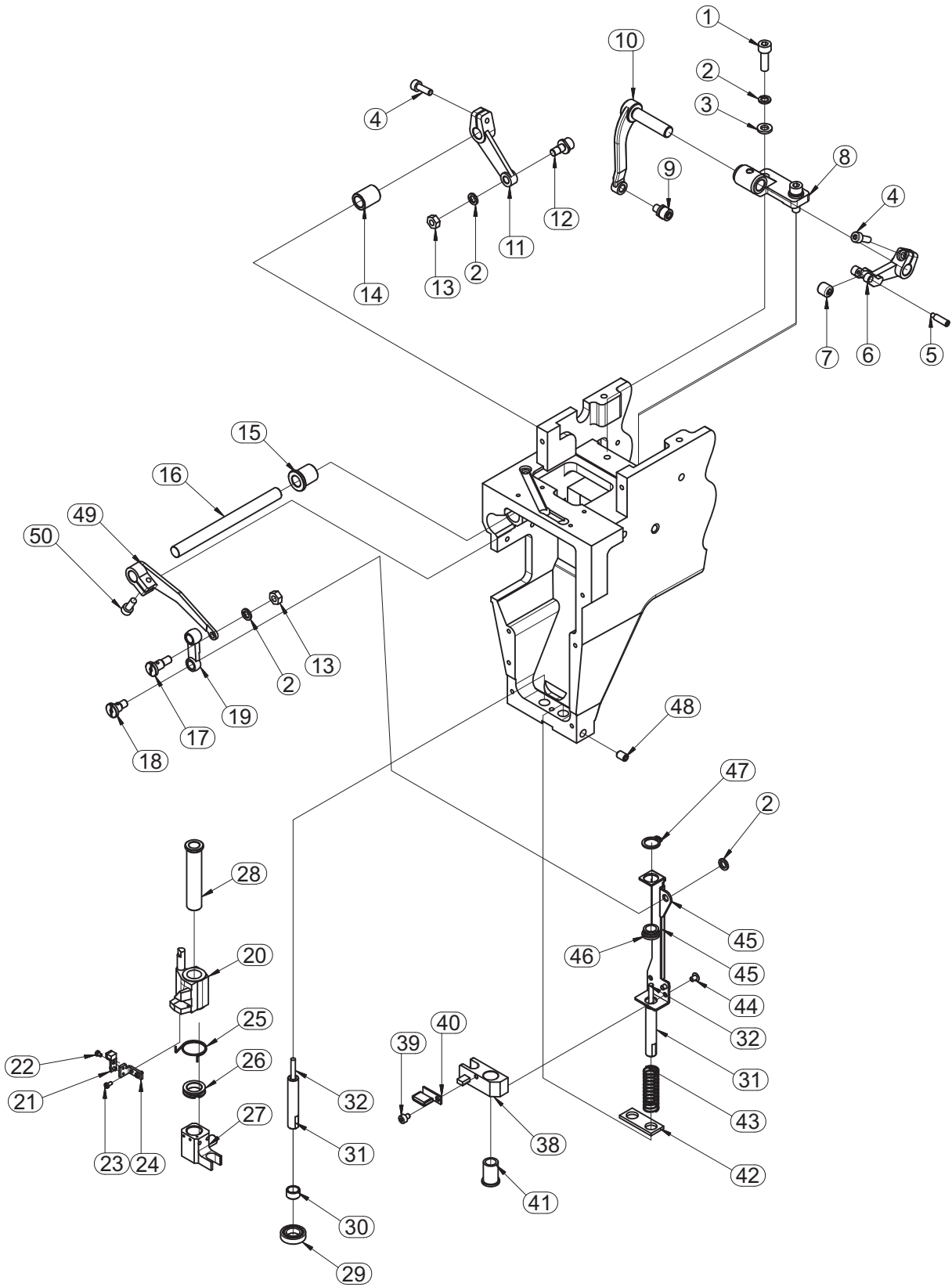
04. Arm



04. Arm

Ref. No.	Part No.	Description	Remark
1	80880608	Hex socket set screw M6x8	
2	03041207	Zero position detection disk	
3	03041201	Upper shaft	
4	03040404	Presser Foot Cam	
5	03041211	Main shaft dial	
6	03041230	Bearing and bearing collar 42	
7	80025601	Timing pulley 32-S5M-20-DTM	
8	03040187	Straight guide rail	For 6-Needle
8	03040184	Straight guide rail	For 12-Needle
8	03040185	Straight guide rail	For 15-Needle
9	03040180	Guide rail baffle	
10	80744406	Pan head screw M4x6	
11	80920403	Hex socket head screw M4x8	
12	80685135	Pin Ø3x16	
13	80746408	Truss head screw M4x8	
14	03040126	Front cover Up	
15	03040125	Front cover L	
16	80924122	Flat head Slotted screw 9/64"X8	
17	03040123	Lower front cover	
18	03040124	Front cover R	
19	03040121	Positioning plate	
20	80810410	Hex socket head screw M4x10	
21	03041202	Upper shaft front bushing	
22	03041204	Cam cushion	
23	80880506	Hex socket set screw M5x8	
24	03040203	Arm cam	
25	03040201	Eccentric pin	
26	03040202	Handle shaft	
27	80030831	Bearing	
28	03040204	Drive connecting rod screw	
29	80880508	Hex socket set screw M5x8	
30	03040205	Cam pin	
31	01030131	Bevel gear big	
32	01030132	Bevel gear small	
33	03041301	Handle bushing	
34	03041303	Handle spring	
35	03041302	Handle shaft	
36	03041304	Adjustment handle	
37	80880406	Hex socket set screw M4x6	
38	80811245	Hex socket head screw M12x45	
39	80901213	Washer M12	
40	80901202	Spring washer M12	
41	03041281	Dial observer	
42	03040101	Arm	
43	03041203	Upper shaft rear bushing	
44	80880610	Hex socket set screw M6x10	
45	80742304	Flange head screw M3x4	
46	03150810	Zero position detection plate	
47	03041208	Zero position coupler bracket	

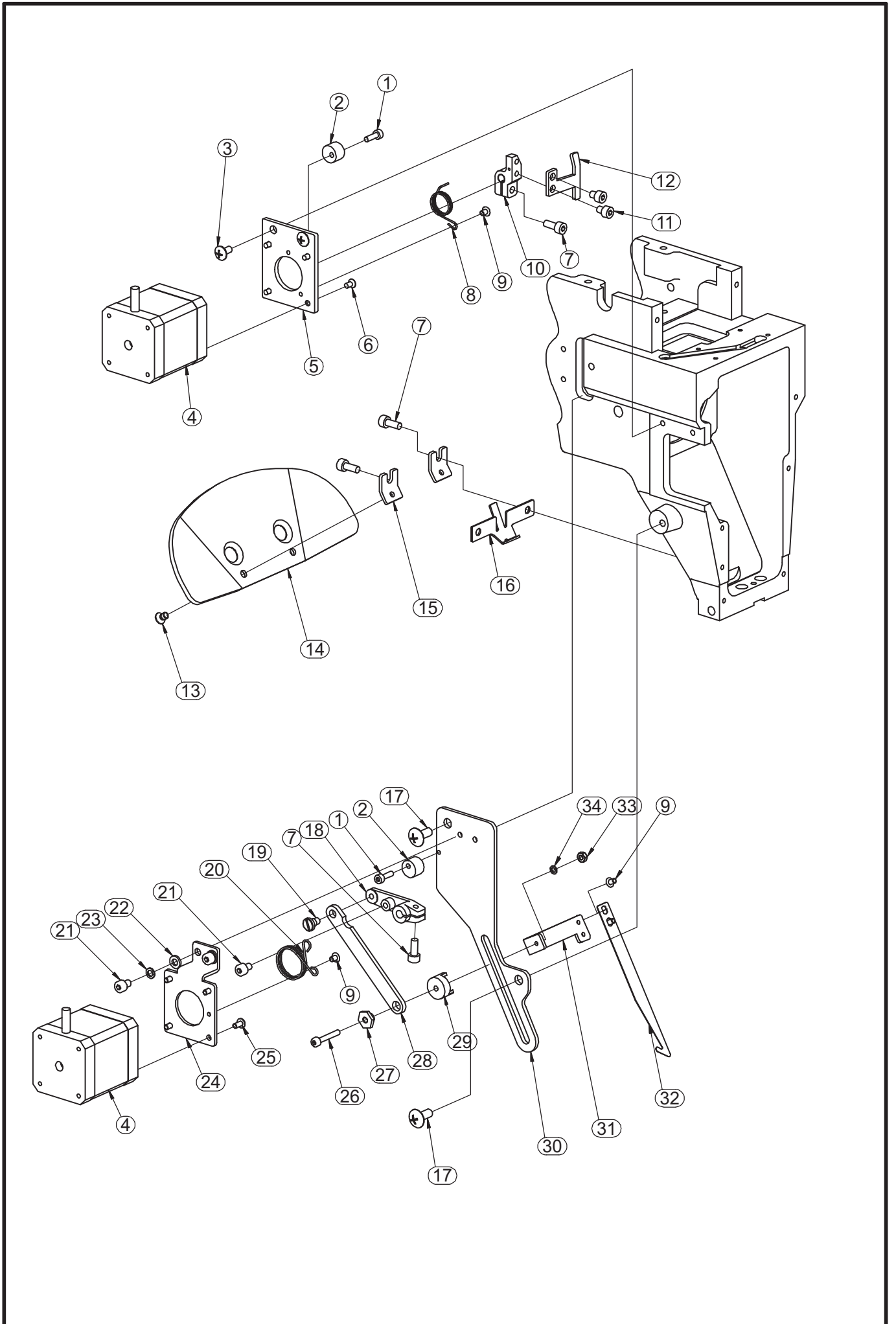
05. Needle Bar Driving Parts



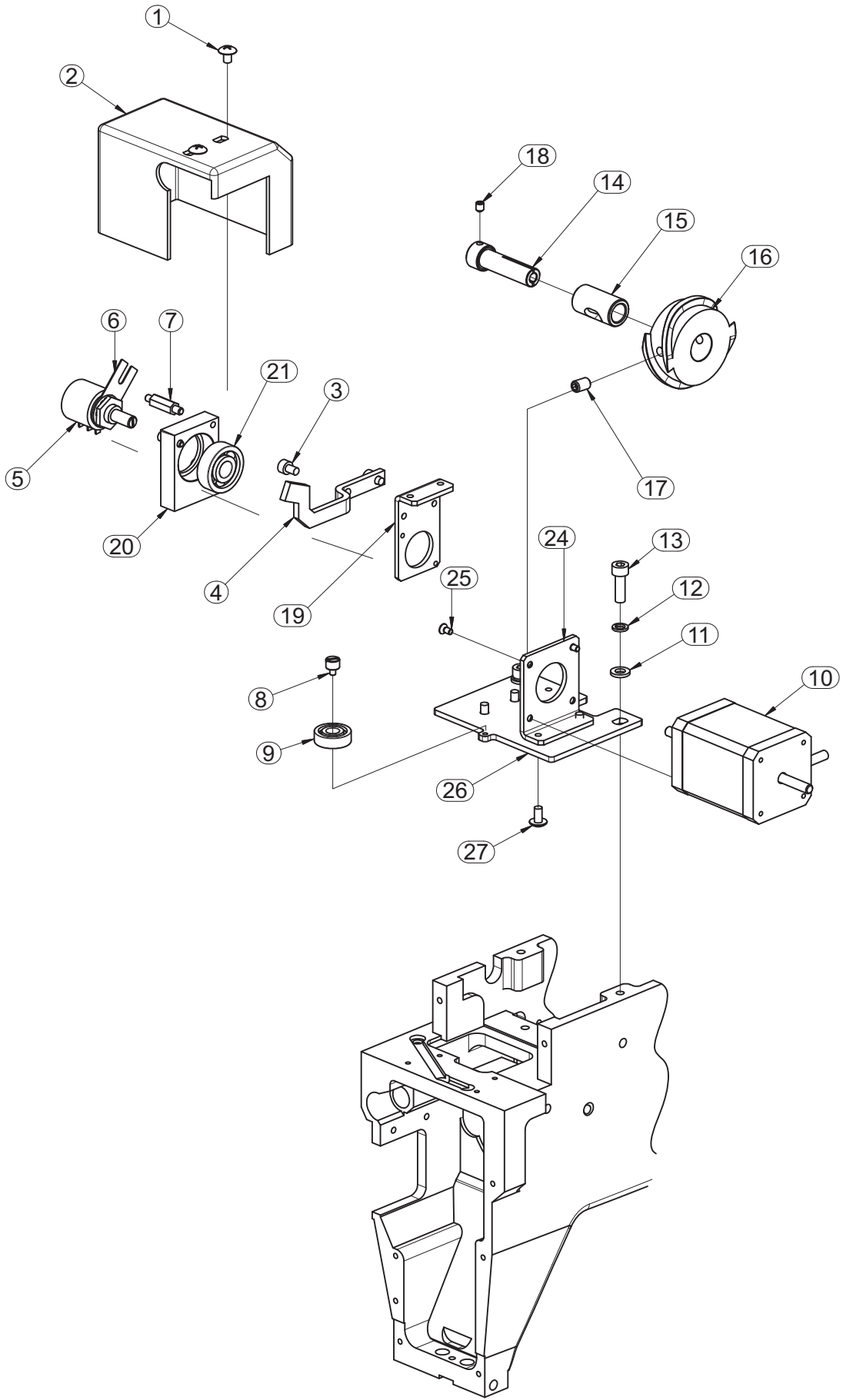
05. Needle Bar Driving Parts

Ref. No.	Part No.	Description	Remark
1	80810516	Hex socket head screw M5x16	
2	80900513	Spring washer M5	
3	80900502	Washer M5	
4	80810412	Hex socket head screw M4x12	
5	03041183	Take-up connecting lever pin	
6	03041181	Take-up connecting rod	
7	80030431	Driver returnning spring	
8	03041101	Take-up bar base	
9	80260802	Wheel roller pin	
10	03041102	Take-up connecting rod-main	
11	03040402	Presser foot cam guide rod	
12	80260801	Roller pin	
13	80900521	Nut M5	
14	80030811	Straight bushing	
15	80030803	Face bushing	
16	03040401	Presser foot drive connecting shaft	
17	03040411	Connecting rod pin-up	
18	03040412	Connecting rod pin-lower	
19	03040403	Presser foot connecting rod	
20	03040305	Reciprocator	
21	03040322	Drive block support	
22	80740203	Truss head screw M2x3	
23	80740204	Truss head screw M2x4	
24	03040321	Silencing base support	
25	03040306	Driver returnning spring	
26	03040304	Torsion spring positioning block	
27	03040301	Needle bar drive block	
28	03040302	Shaft bushing	
29	80030902	Bearing	
30	03040122	Drive shaft collar	
31	03040351	Arm drive shaft	
32	03040352	Wick	
33	80746304	Pan head screw M3x4	
34	80900301	Washer M3	
35	03040303	Support for needle bar driver block	
36	80900313	Spring washer M3	
37	80810306	Hex socket head screw M3x6	
38	03040424	Presser foot drive block	
39	80810304	Hex socket head screw M3x4	
40	03040426	Presser foot buffer cushion	
41	03040423	Shaft bushing B	
42	03040111	Oil fencing felt	
43	03040425	Presser foot guide spring	
44	80742304	Flange head screw M3x4	
45	03040421	Presser foot slide bracket	
46	03040422	Shaft bushing A	
47	80031072	Elastic collar	
48	80880508	Hex socket set screw M5x8	

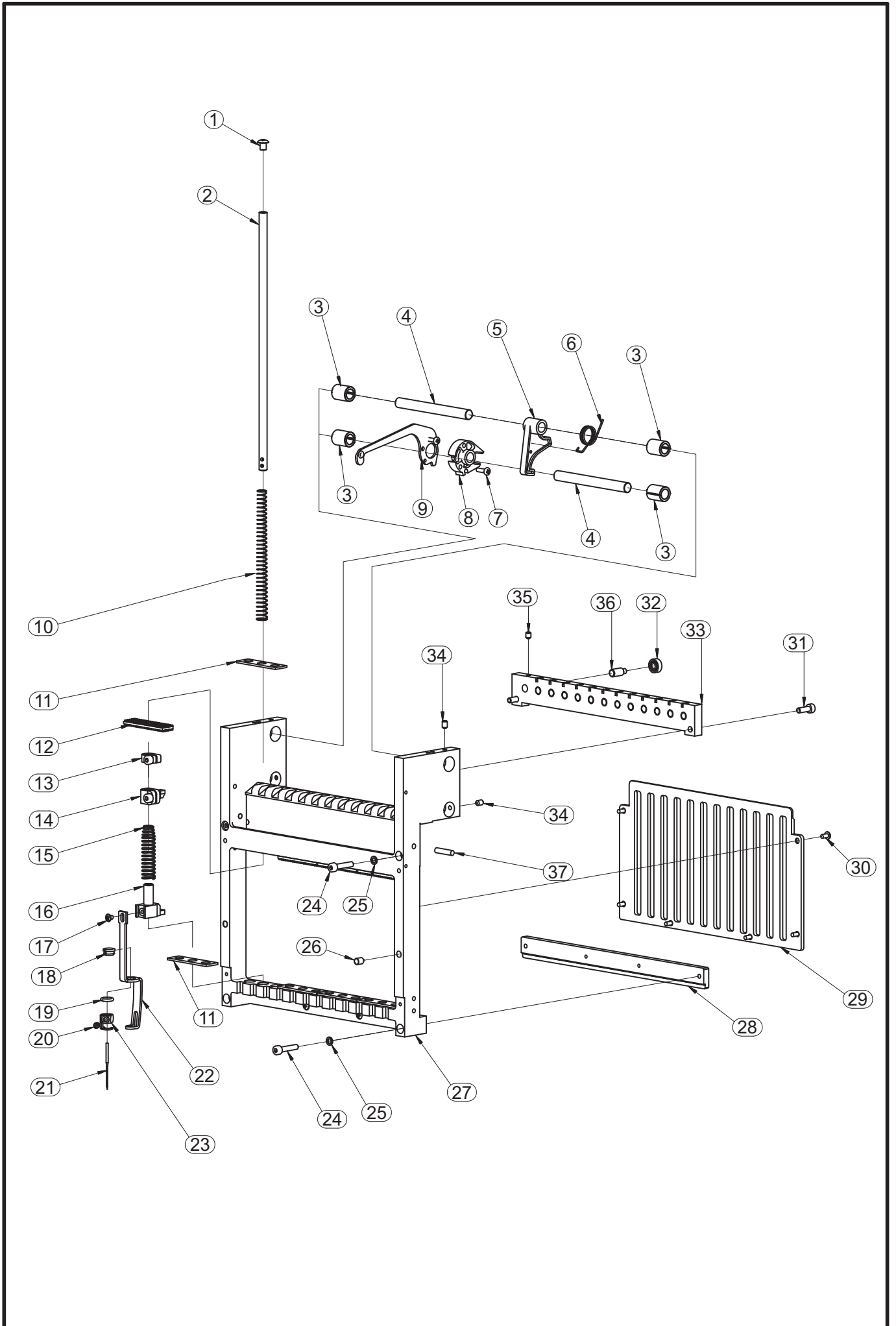
06. Upper Thread Hook



07. Color Change System



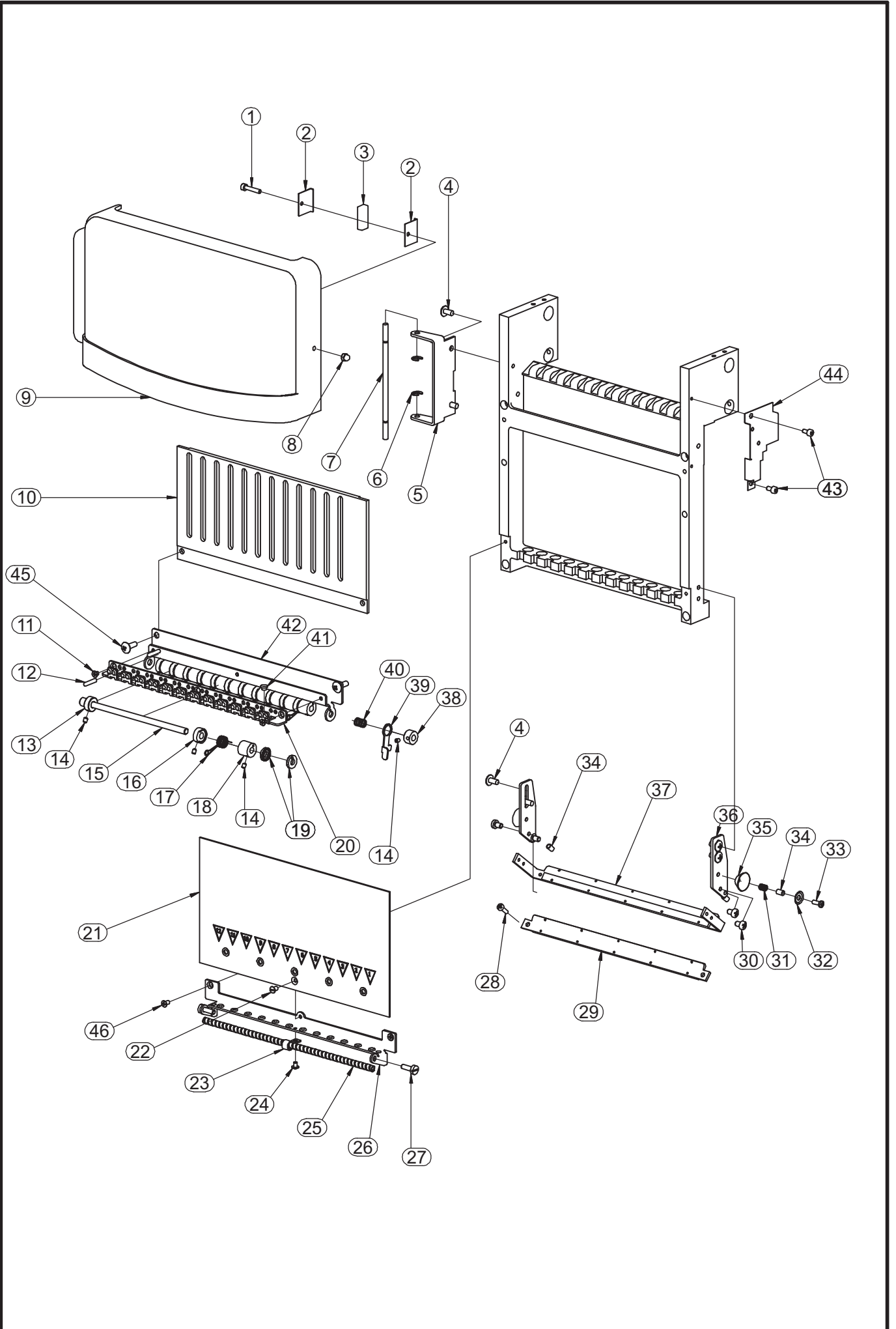
08. Needle Case A



08. Needle Case A

Ref. No.	Part No.	Description	Remark
1	01222102	Needle bar screw	
2	03080101	Needle bar	
3	03081505	Take-up shaft block	L=15mm
3	03081506	Take-up shaft block	L=12mm
3	03081507	Take-up shaft block	L=18mm
4	01221531	Needle clamp	For 06-Needle
4	01221532	Needle clamp	For 12-Needle
4	01221533	Needle clamp	For 15-Needle
5	03081502	Take-up lever positioning block	
6	03081503	Positioning block torsion spring	
7	80745301	Pan head screw M3x10	
8	03081501	Take-up lever plastic block	
9	03081504	Take-up lever	
10	03080102	Needle bar spring	
11	01221606	Felt packing	
12	01221605	Rubber cushion	
13	01222192	Upper dead point clamp	
14	01222193	Needle bar connecting pin	
15	03080108	Presser foot spring	
16	03080104	Presser foot bushing	
17	80742304	Flange head screw M3x4	
18	01222112	Pressor foot ring	
19	01222109	Baffle ring	
20	01222183	Needle clamp screw	
21	80621101	Needle	
22	03080115	Presser foot	
23	01222184	Needle clamp	
24	80810420	Hex socket head screw M4x20	
25	80900413	Spring washer M4	
26	01227102	Magnet	
27	03081109	Needle case	For 06-Needle
27	03081103	Needle case	For 12-Needle
27	03081115	Needle case	For 15-Needle
28	03081123	Lower guide rail	For 06-Needle
28	03081121	Lower guide rail	For 12-Needle
28	03081122	Lower guide rail	For 15-Needle
29	03081301	Needle bar guide	For 06-Needle
29	03081318	Needle bar guide	For 12-Needle
29	03081312	Needle bar guide	For 15-Needle
30	80746306	Pan head screw M3x6	
31	80810412	Hex socket head screw M4x12	
32	80030422	Bearing 619/4	
33	03081209	Color change plate	For 06-Needle
33	03081211	Color change plate	For 12-Needle
33	03081216	Color change plate	For 15-Needle
34	80880406	Hex socket set screw M4x6	
35	80880405	Hex head screw M4x5	
36	80900513	pins	
37	80180318	Pin	

09. Needle Case B-1

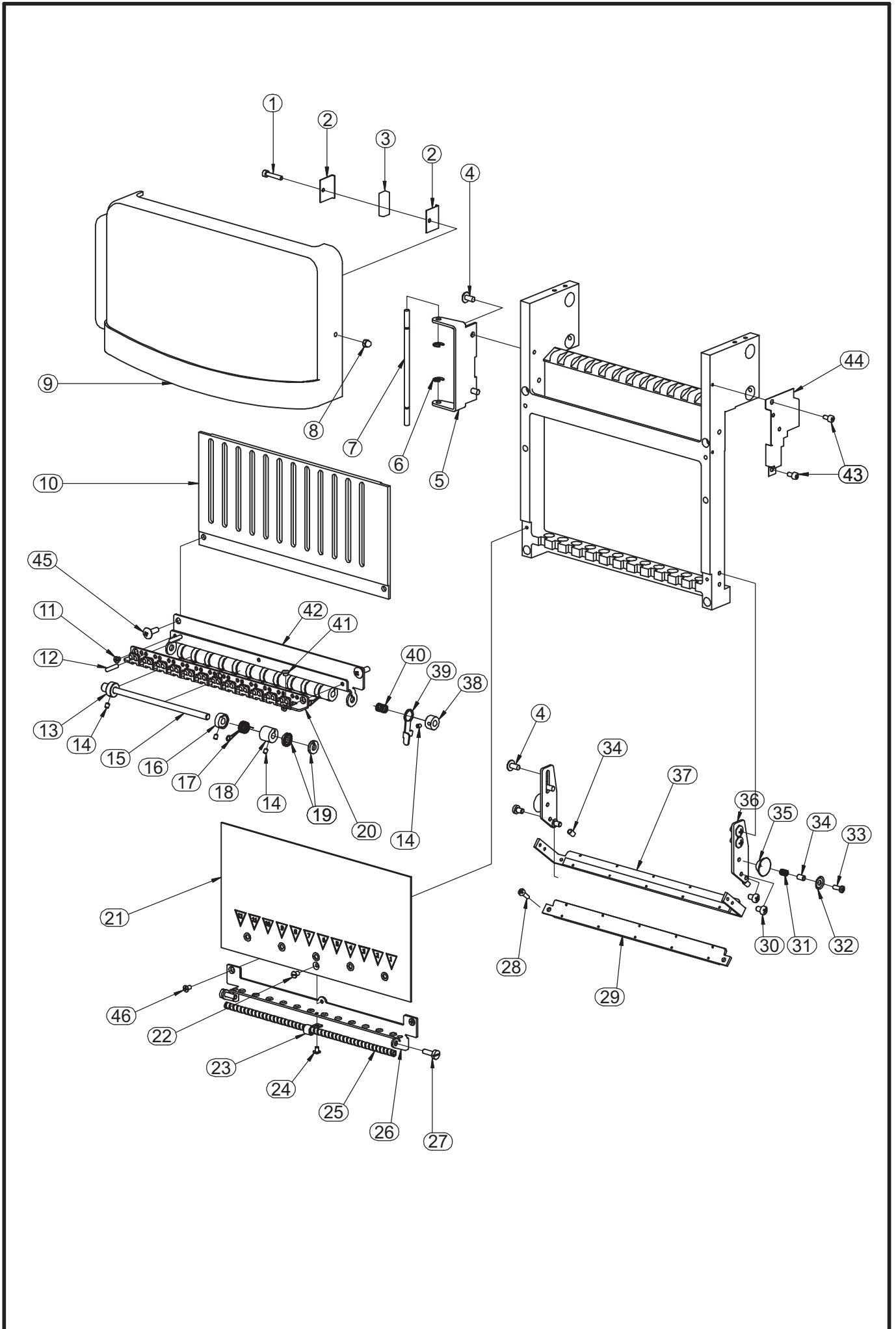


09. Needle Case B-1

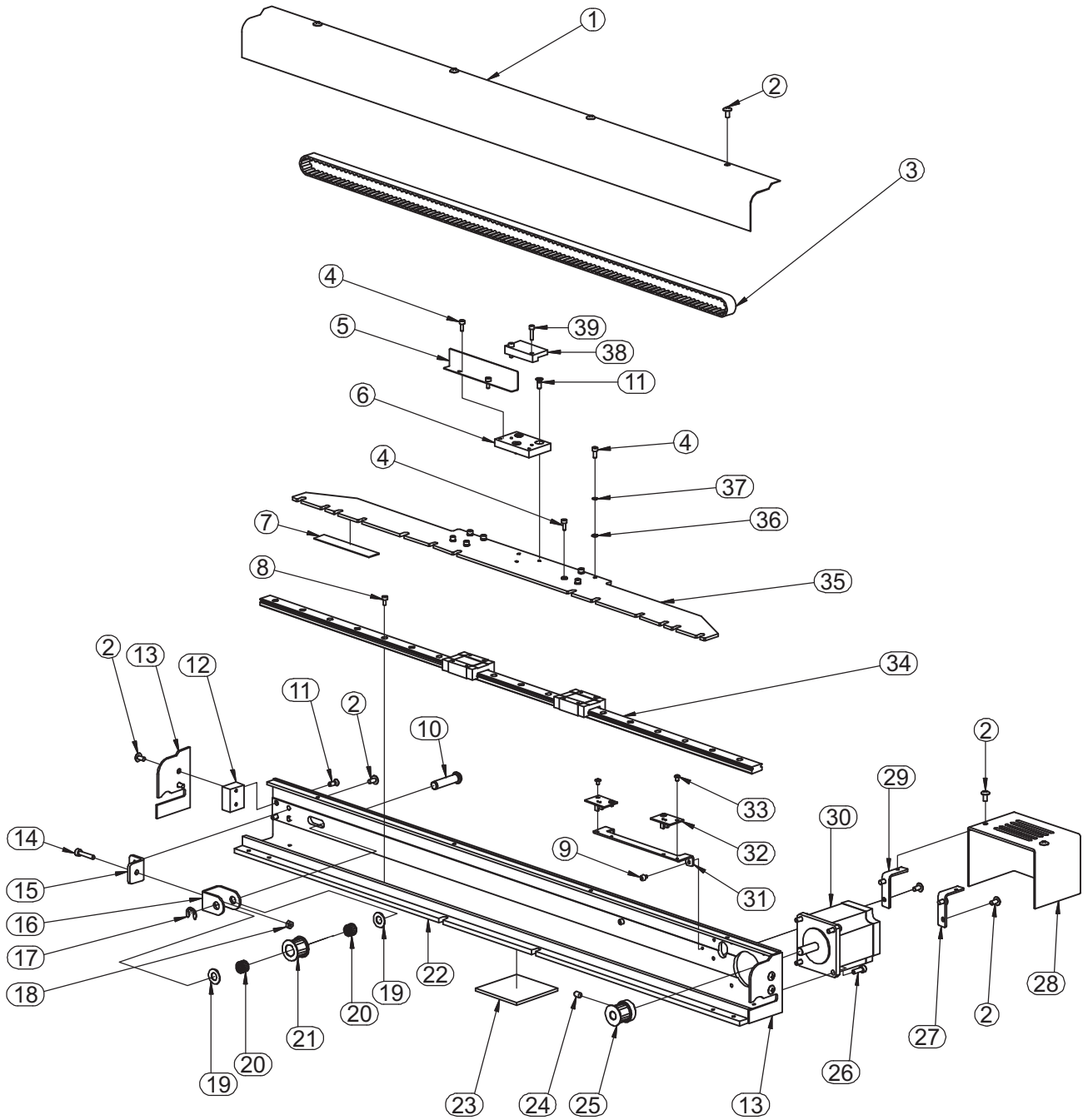
Ref. No.	Part No.	Description	Remark
1	80813316	Hex socket head screw M3x16	
2	03082305	Magnet clamp	
3	03082306	Magnet	
4	80746408	Truss head screw M4x8	
5	03082301	Cover support	
6	80030471	E-ring	
7	03082304	Connecting shaft	
8	80900331	Nut M3	
9	03082349	Plastic front cover	For 06-Needle
9	03082302	Plastic front cover	For 12-Needle
9	03082350	Plastic front cover	For 15-Needle
10	03081309	Upper face plate	For 06-Needle
10	03081302	Upper face plate	For 12-Needle
10	03081312	Upper face plate	For 15-Needle
11	80860304	Flat head screw M3x4	
12	03082513	Middle thread course pin	
13	03082526	Shaft collar	
14	80880304	Hex socket set screw M3x4	
15	03082538	Middle thread course shaft	For 06-Needle
15	03082531	Middle thread course shaft	For 12-Needle
15	03082539	Middle thread course shaft	For 15-Needle
16	03082528	Take-up spring baffle	
17	03082530	Take-up spring	
18	03082527	Take-up spring collar	
19	03082525	Bevel cushion	
20	03082536	Roller stand	For 06-Needle
20	03082512	Roller stand	For 12-Needle
20	03082537	Roller stand	For 15-Needle
21	03081319	Front face plate	For 06-Needle
21	03081303	Front face plate	For 12-Needle
21	03081305	Front face plate	For 15-Needle
22	80924121	Flat head Slotted screw 9/64"X6	
23	03082503	Spring bracket	
24	80742302	Flange head screw M3x4	
25	03082529	Lower thread spring	For 06-Needle
25	03082502	Lower thread spring	For 12-Needle
25	03082535	Lower thread spring	For 15-Needle
26	03082533	Lower thread course	For 06-Needle
26	03082501	Lower thread course	For 12-Needle
26	03082534	Lower thread course	For 15-Needle
28	80030310	Pan head screw M3x10	
29	03086104	Face thread clamp plate	For 06-Needle
29	03086102	Face thread clamp plate	For 12-Needle
29	03086105	Face thread clamp plate	For 15-Needle
30	80740406	Truss head screw M4x16	
31	03086131	Thread suspender spring	
32	03086125	Thread suspender spring presser	
33	80740308	Truss head screw M3x8	
34	03086124	Thread suspender baffle	

--- Next page ---

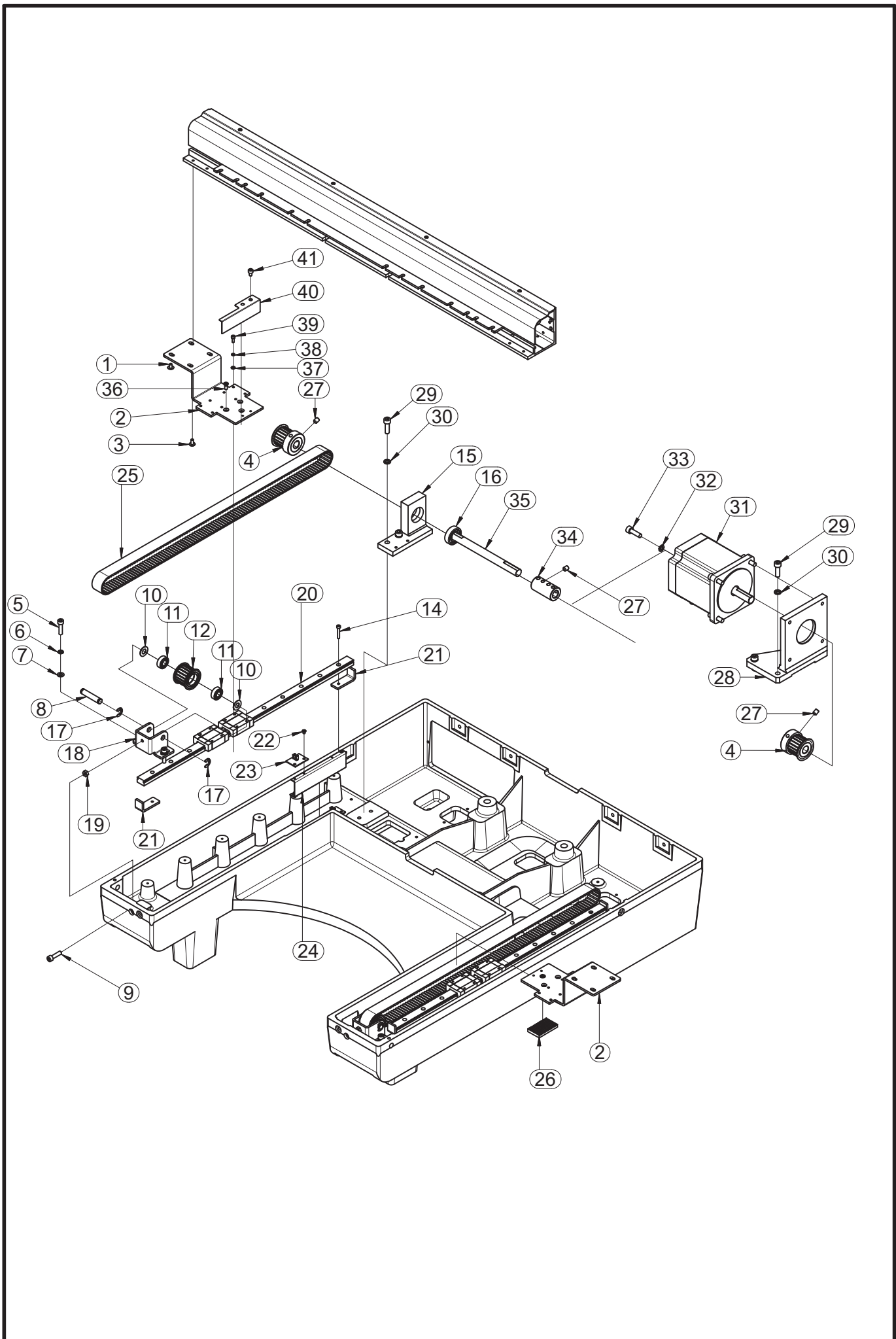
09. Needle Case B-2



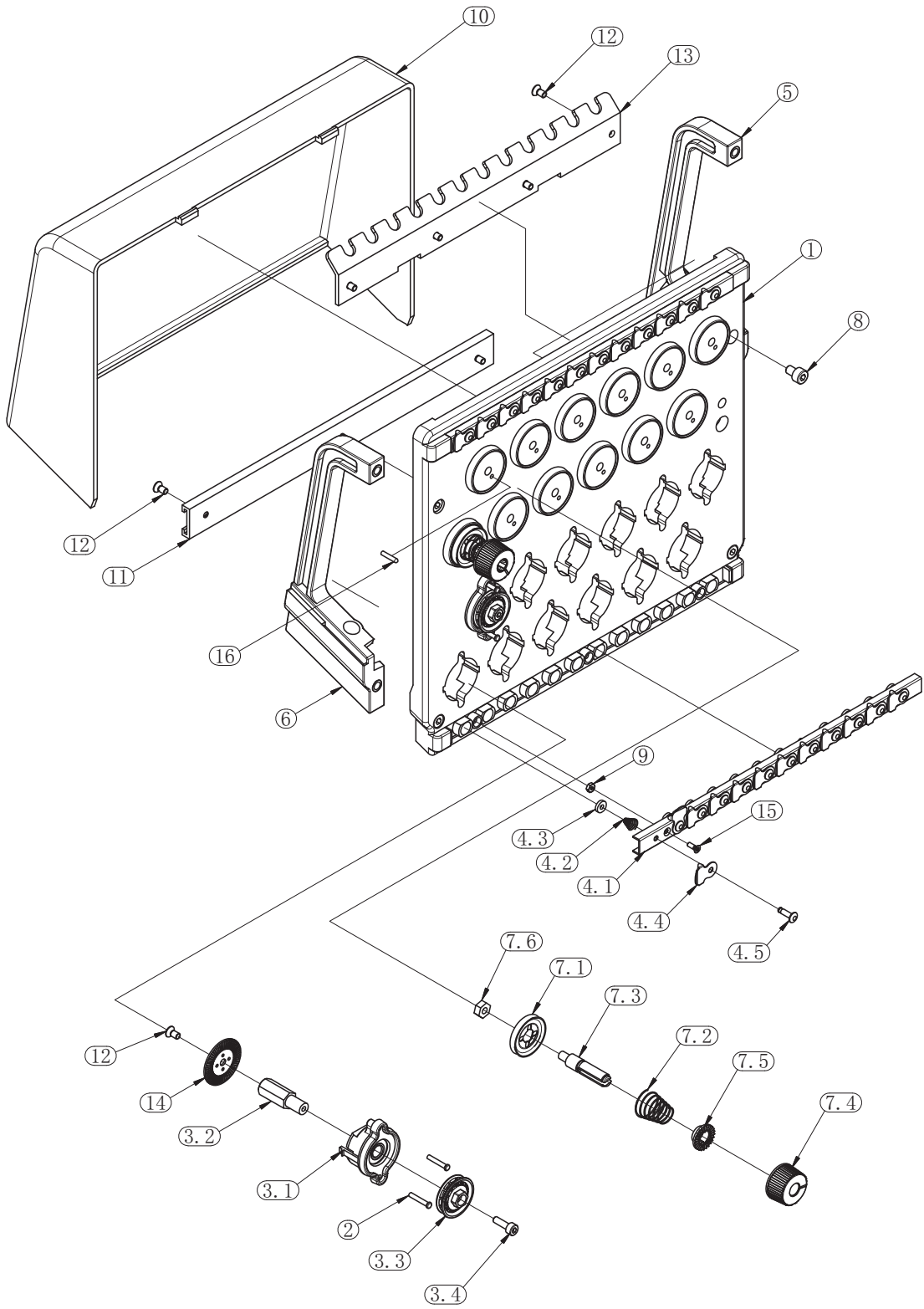
10. X-axis Drive System



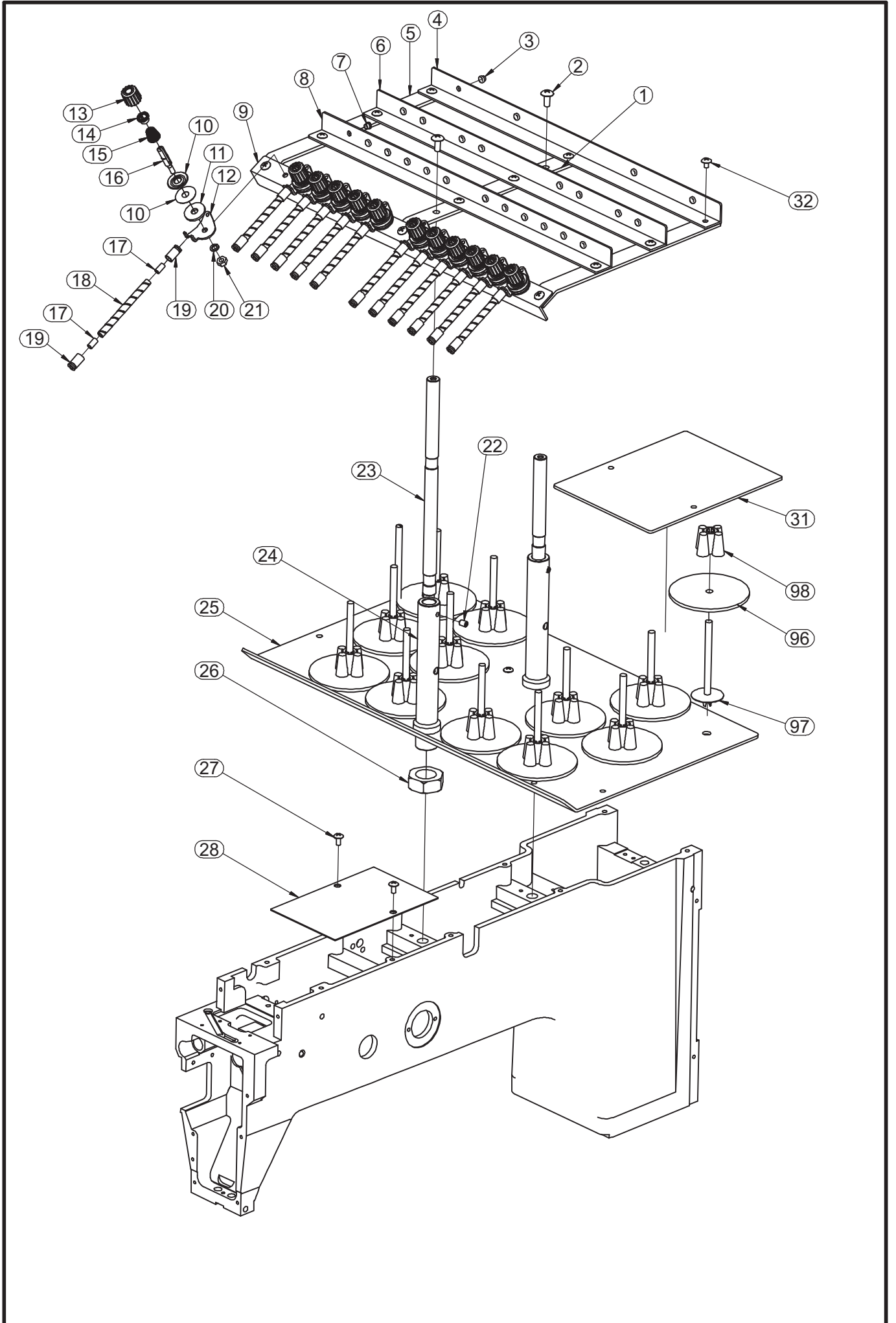
11. Y-axis Drive System



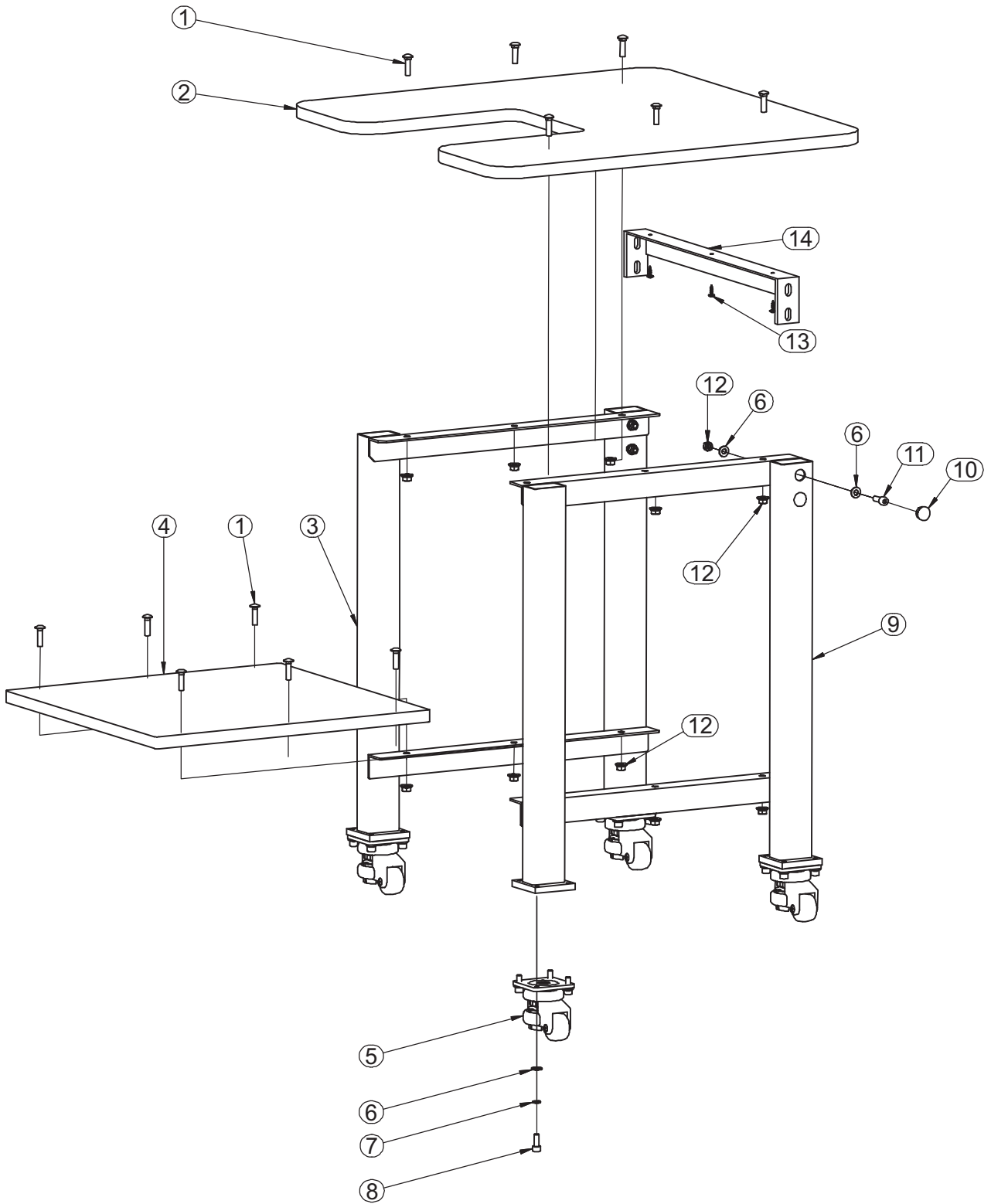
12. Thread Tension Base



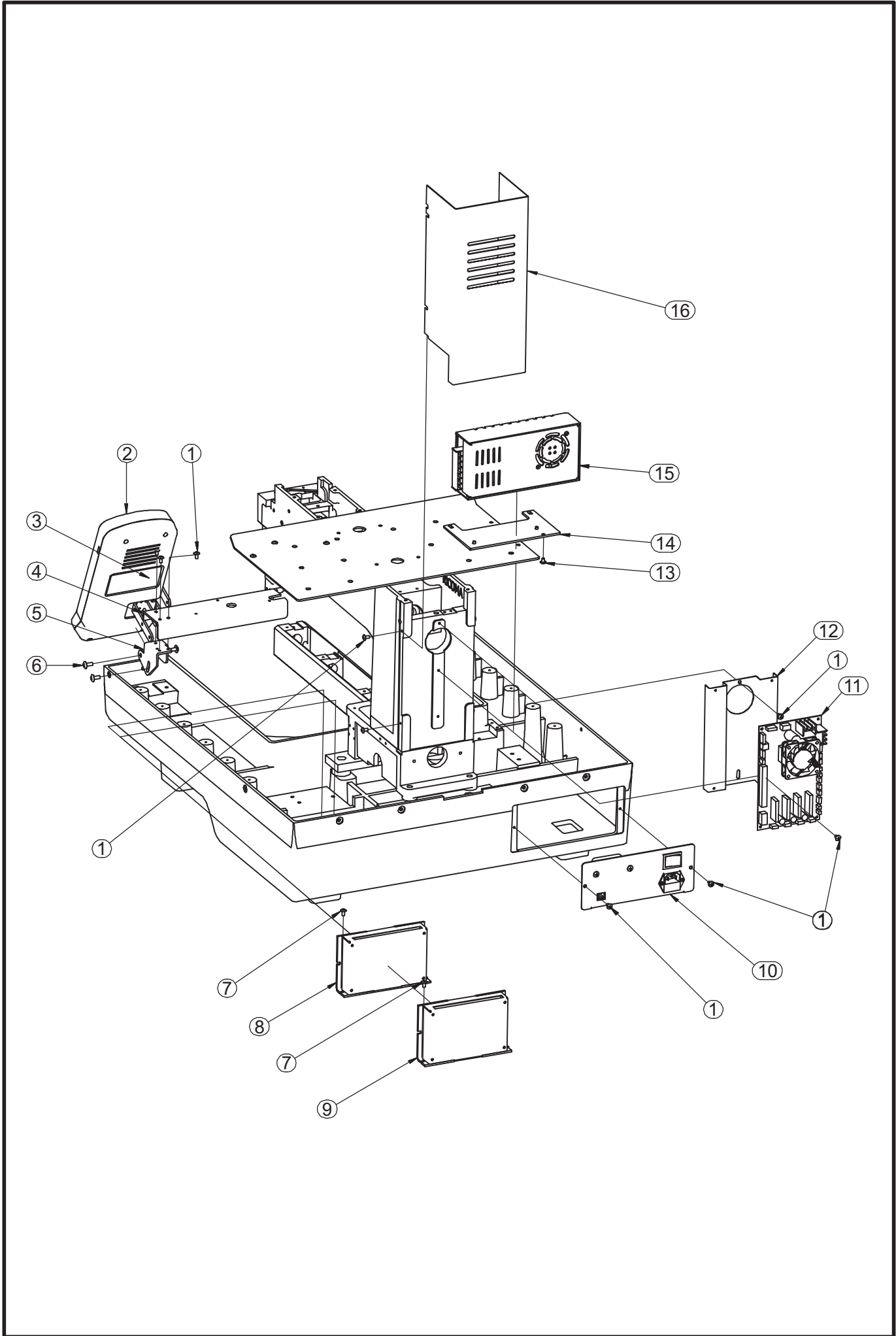
13. Thread Stand



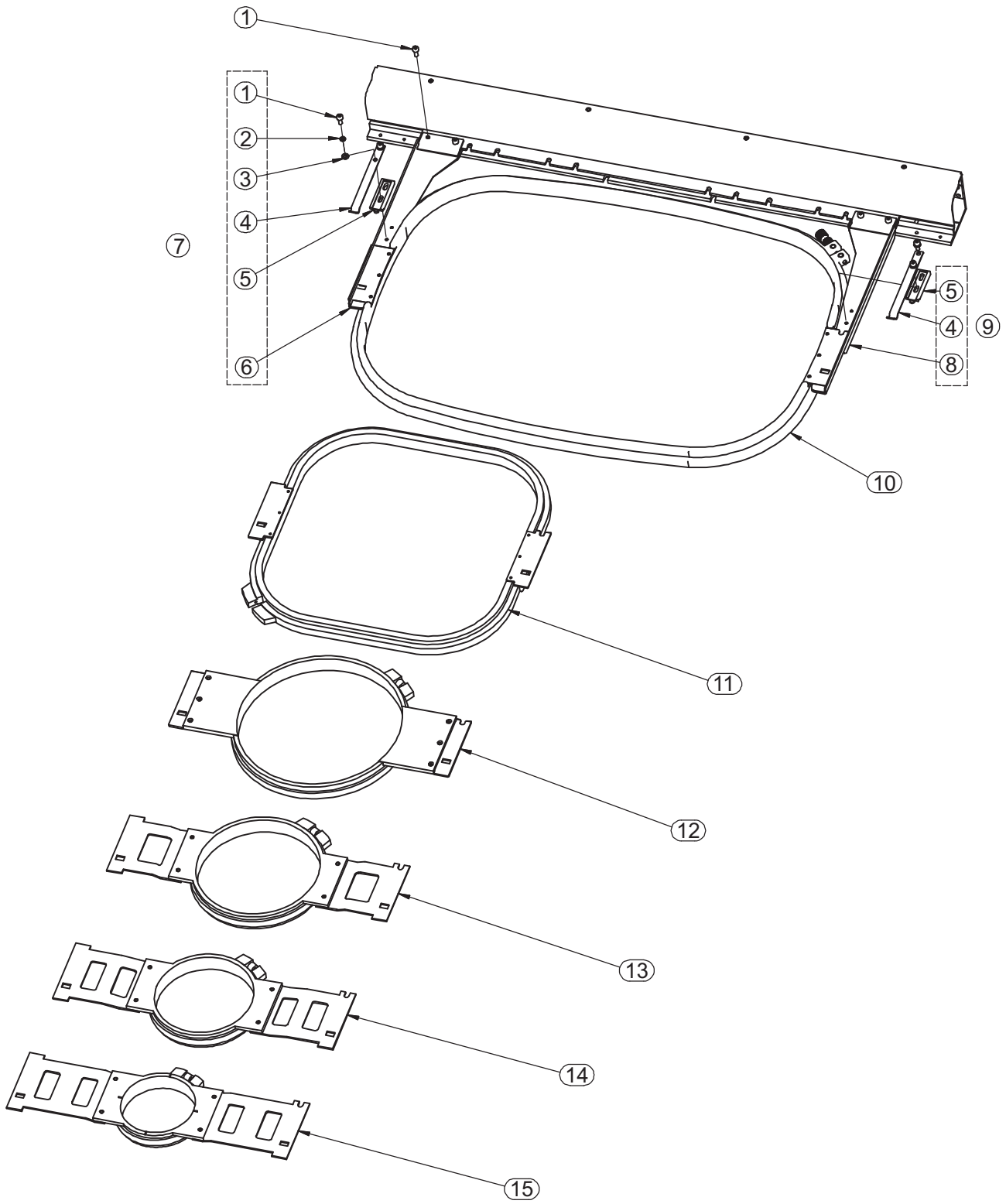
14. Stand



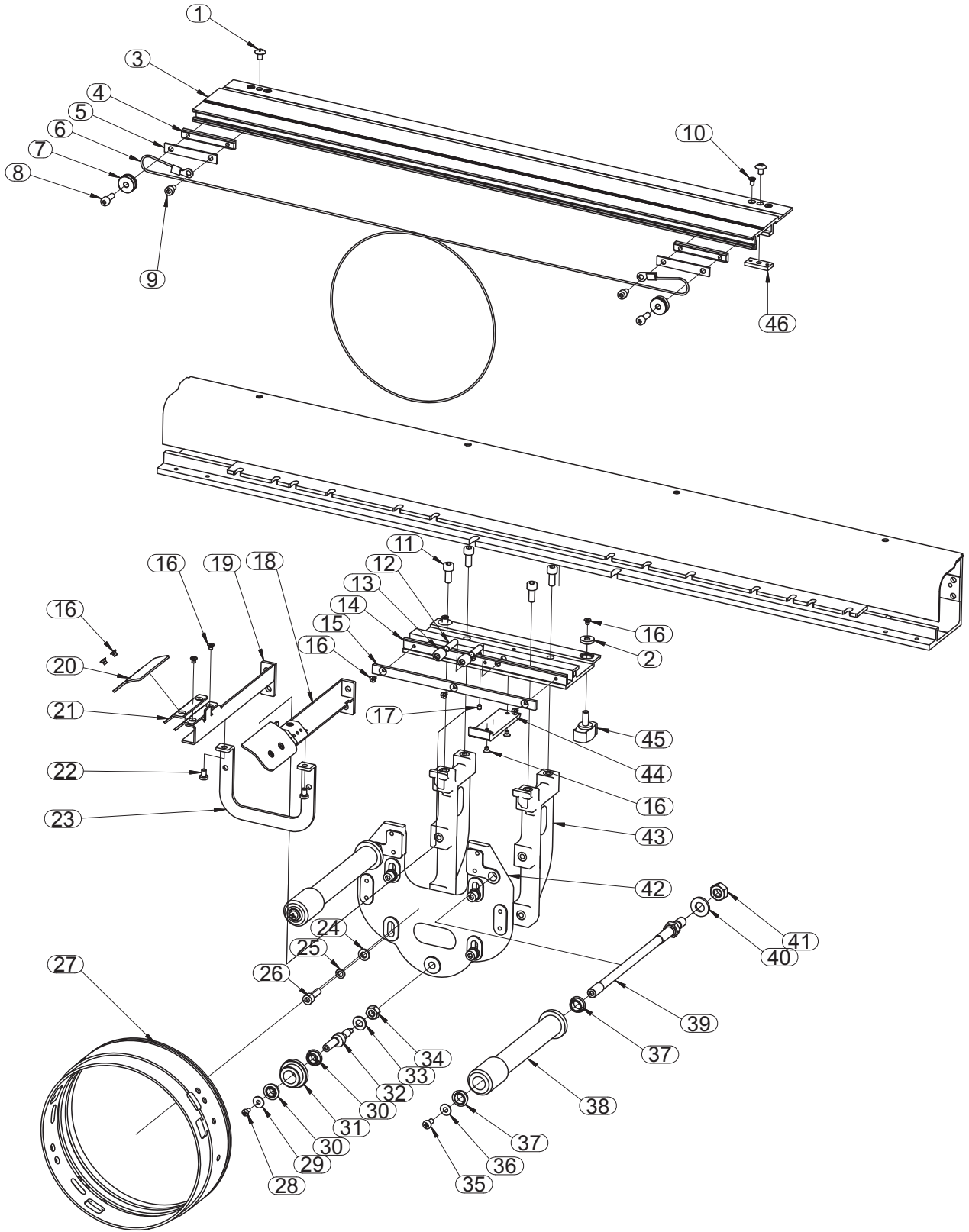
15. Electrical Parts



16. Embroidery Frame



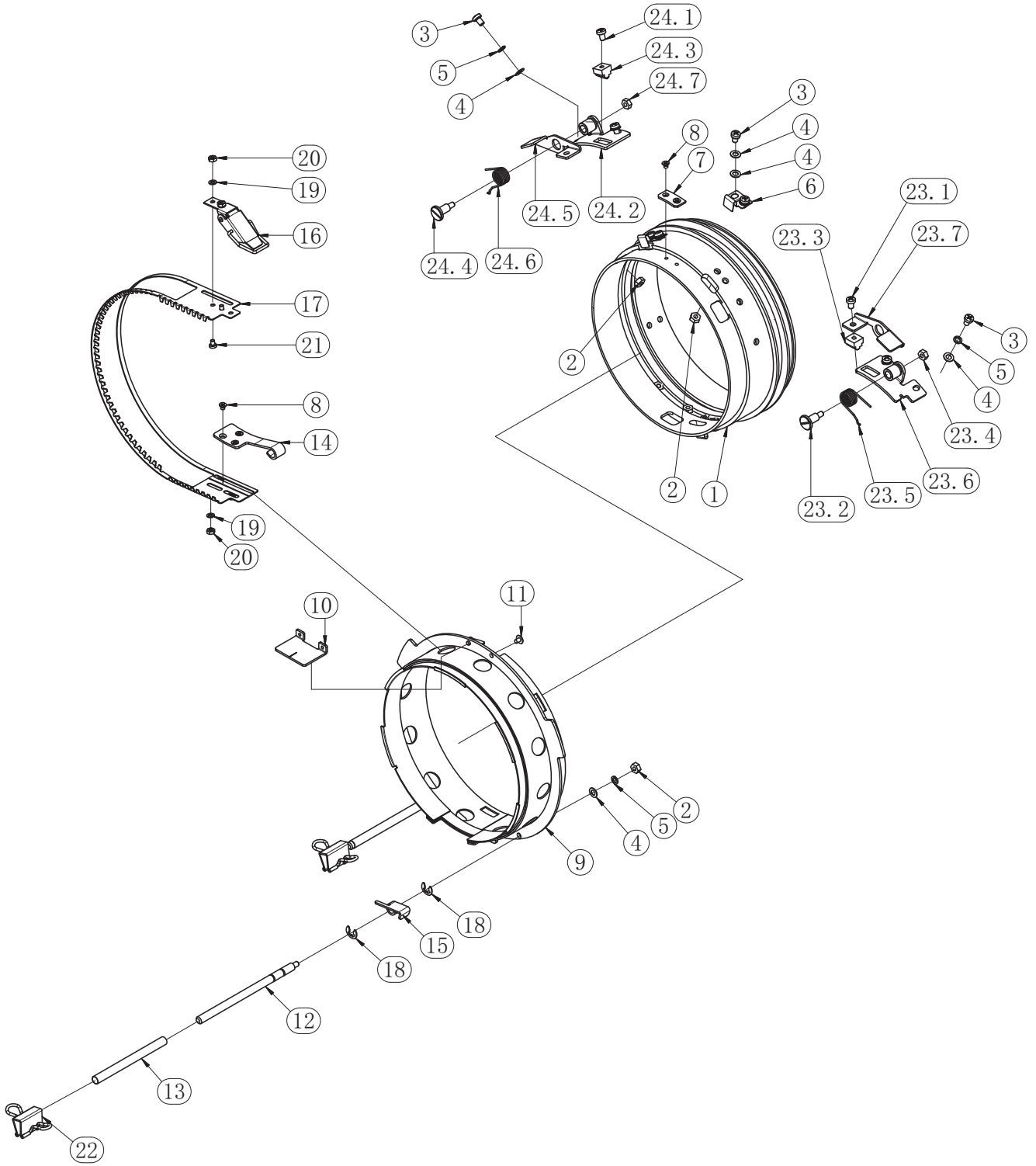
17. Cap Frame parts



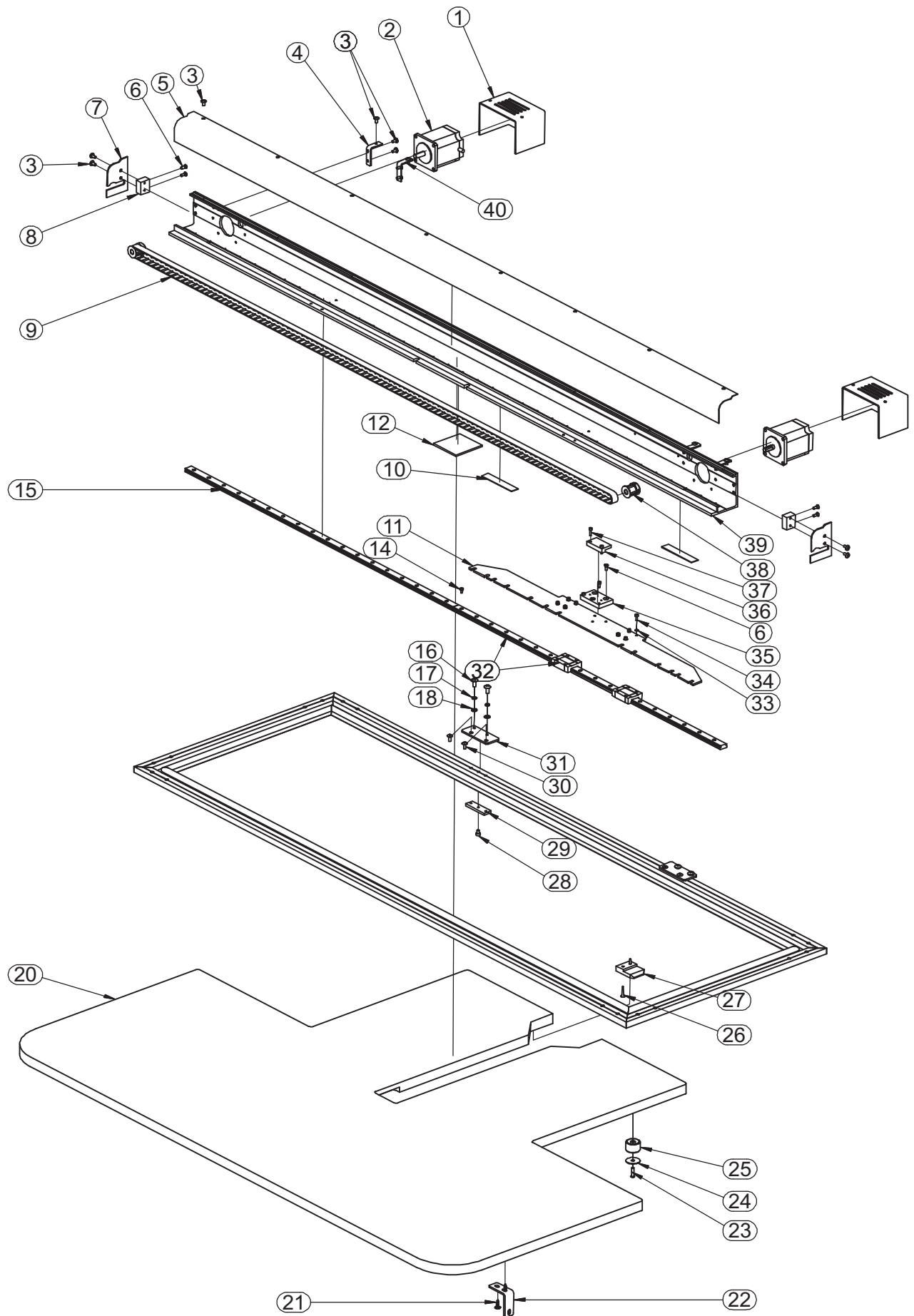
17. Cap Frame parts

Ref. No.	Part No.	Description	Remark
1	80746406	Truss head screw M4x6	
2	80900553	Screw cap M5	
3	02810321	Cap frame support plate	
4	02810305	Adjustment slider	
5	02810306	Adjustment slider presser plate	
6	02810351	Steel wire	
7	02810308	Nylon wheel	
8	80813412	Hex socket head screw M4x12	
9	80813406	Hex socket head screw M4x6	
10	80860306	Flat head screw M3x6	
11	80810512	Hex socket head screw M5x12	
12	02810303	Shaft	
13	80030525	Roller bearing 9-5-9	
14	02810302	Cap frame base	
15	02810309	Plastic bar	
16	80860304	Flat head screw M3x4	
17	80880304	Hex socket set screw M3x4	
18	02811228	Support-L	
19	02811229	Support-R	
20	02811203	Support plate	
21	02811202	Minor support plate	
22	80740406	Truss head screw M4x6	
23	02811231	U stand	
24	80900502	Washer M5	
25	80900513	Spring washer M5	
26	80810516	Hex socket head screw M5x16	
27	02810201	Cap tube	
28	80830306	Truss head screw M3x6	
29	80900310	Washer M3	
30	80030641	Bearing 6mm	
31	02810106	Trolley	
32	02810105	Pin shaft	
33	80900602	Washer M6	
34	80900621	Nut M6	
35	80030408	Truss head screw M4x8	
36	80900401	Washer M4	
37	80030842	Bearing 8mm	
38	02810103	Nylon rod	
39	02810102	Shaft	
40	80900808	Washer M8	
41	80900821	Nut M8	
42	02810310	Cap frame base	
43	02810313	Cap frame main support	
44	02810307	Plastic bracket plate	
45	02810313	Plastic head screw M5	
46	02800322	Support the plywood board	

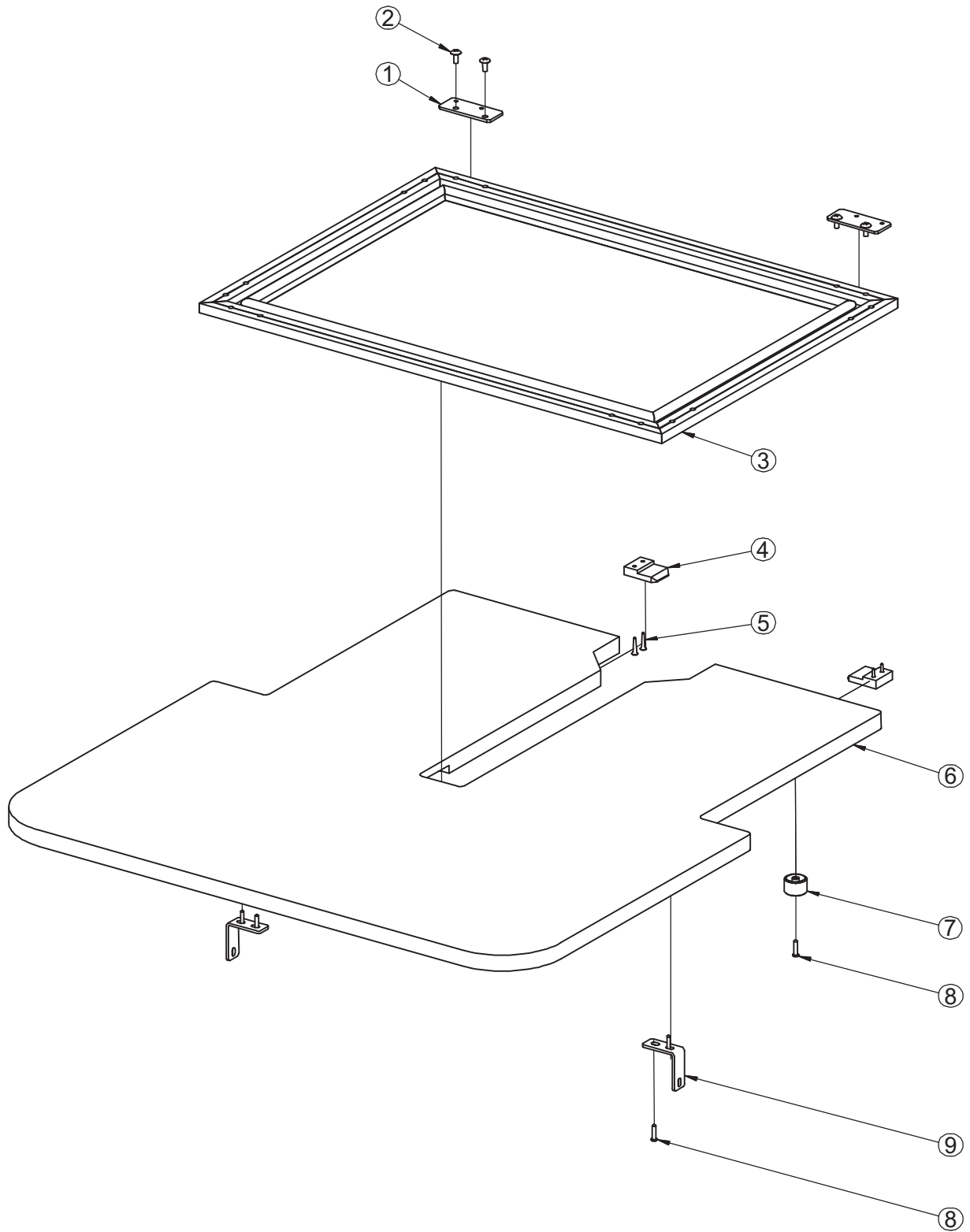
18. Cap Stand Frame



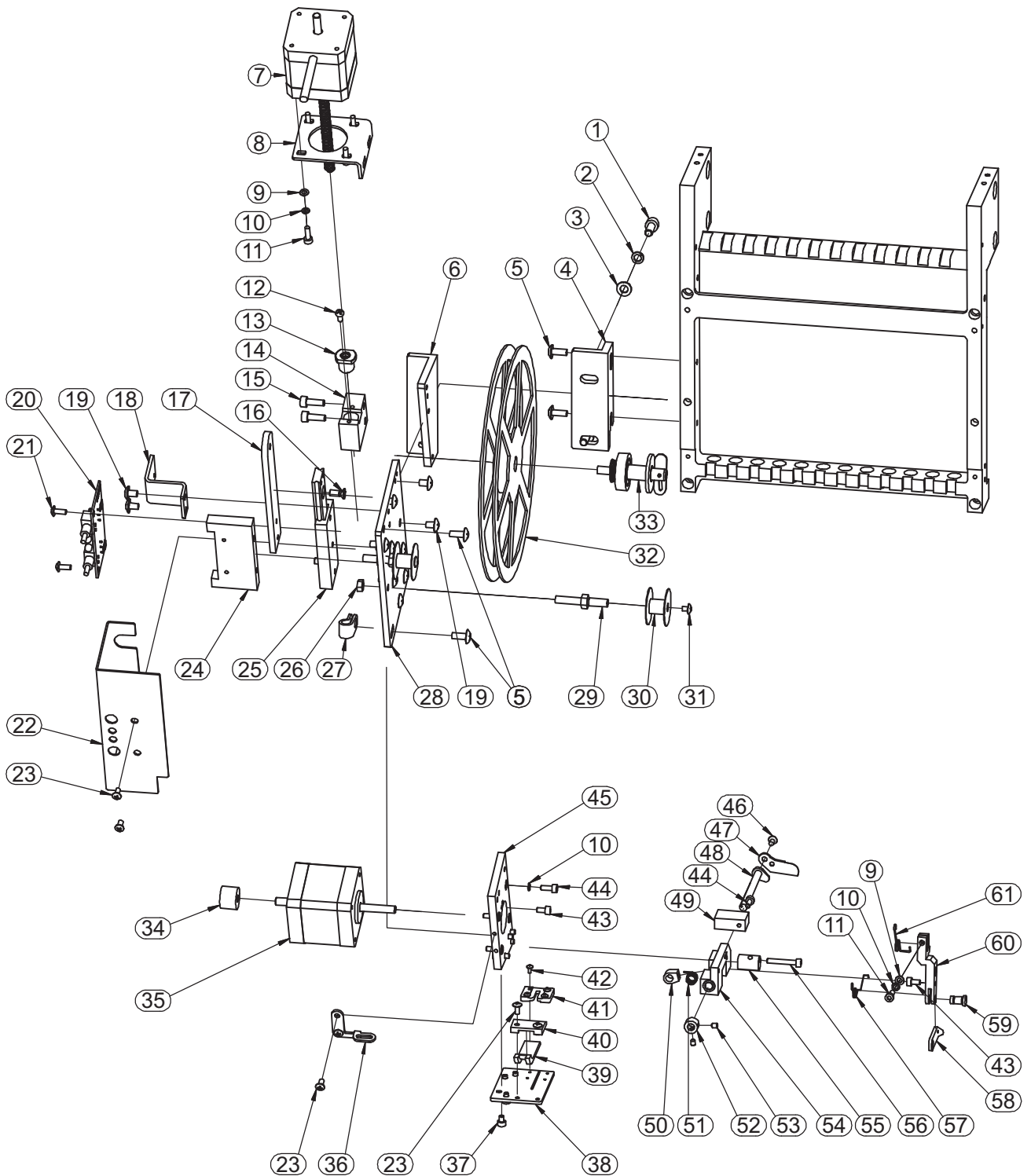
19. X-axis Widened Drive System (Option Device)



20. Embroidery Frame (Optional Device)



21. Sequins Embroidery Device - 1(Optional Device)

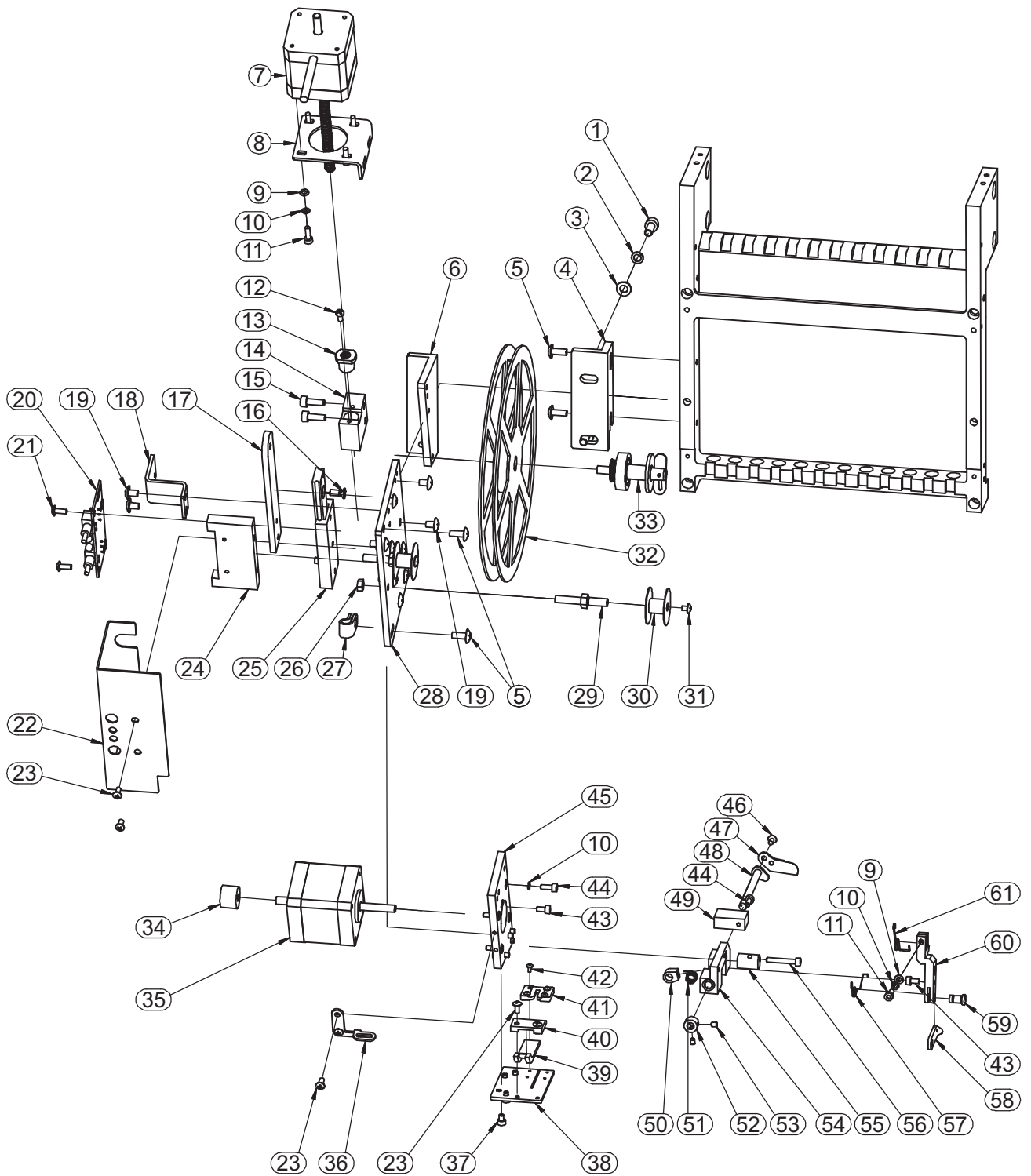


21. Sequins Embroidery Device - 1(Optional Device)

Ref. No.	Part No.	Description	Remark
1	80810512	Hex socket head screw M5x 12	
2	80900511	Spring washer M5	
3	80900503	Washer M5	
4	05050122	Insstallaton bracket- Left	
5	80746410	Truss head screw M4X10	
6	05050123	Guide rail installation plate	
7	80304211	Up/down motor 42BYGH45D5-15	
8	05050111	Up/down motor installation bracket	
9	80900301	Washer M3	
10	80900313	Spring washer M3	
11	80810310	Hex socket head screw M3X10	
12	80830306	Truss head screw M3X6	
13	05062110	Bolt 8-2	
14	05062110	Nut support	
15	80810412	Hex socket head screw M4x12	
16	80860410	Flat head screw M4X10	
17	05060501	Sequin disk support	
18	05062112	Support	
19	80746406	Truss head screw M4x6	
20	05061029	Position switch plate	
21	80742303	Flange head screw M3x8	
22	05061001	Switch cover	
23	80746306	Truss head screw M3x6	
24	05062121	Cover installation plate	
25	80016201	Guide rail	
26	80900421	Nut M4	
27	80390404	Fix button-04	
28	05050121	Slide block support	
29	05010602	Guide wheel shaft	
30	05010601	Guide wheel	
31	80746304	Truss head screw M3x4	
32	05600101	Sequin disk	
33	05010651	Sequin disk shaft	
34	05010309	Manual motor wheel	
35	80304230	Stepping motor 42	
36	05010316	Sequin support- B	
37	80040304	Hex socket head screw M3 x 4	
38	05060101	Sequin delivery plate- Left	
39	05010111	Sequin guide plate-5	
40	05010115	Large sequin guide plate	
41	05010105	Sequin postioning plate	
42	80746205	Truss head screw M2x5	
43	80813306	Hex socket head screw M3x6	
44	80810308	Hex socket head screw M3x8	
45	05060202	Paddle motor installation plate	
46	80865306	Flat head screw M3x6	
47	05010215	Sequin shearer	
48	05010202	Shearer shaft	
49	05060215	Block tablet	

---Next page---

21. Sequins Embroidery Device - 2(Optional Device)



PARTS LIST

FOR SINGLE HEAD MACHINE

A Passion Excellence

RiCOMA[®]