

brother®

Home Embroidery Machine PARTS REFERENCE LIST

MODEL: PR600II/PR600IIC
PR620/PR620C

CONFIDENTIAL

Copyright © 2010 Brother Industries, Ltd.
All rights reserved.

Published: Nov.,2005
Revised: Aug.,2011

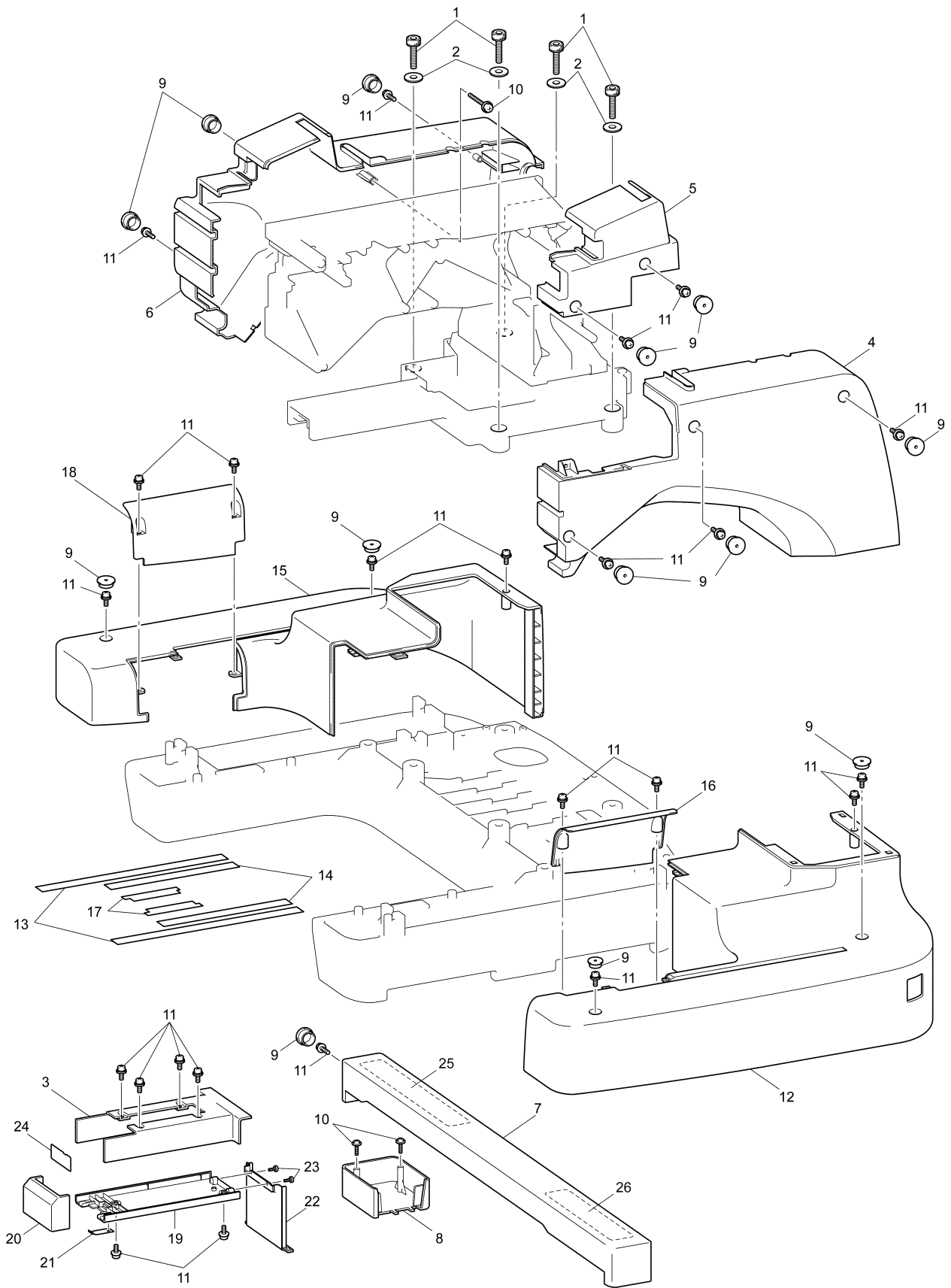
CONTENTS

(1) PRINCIPAL PARTS.....	2
(2) UPPER SHAFT MECHANISM.....	4
(3) NEEDLE BAR MECHANISM.....	6
(4) NEEDLE BAR CHANGE MECHANISM	8
(5) THREAD GUIDE MECHANISM.....	10
(6) ELECTRONIC PARTS.....	12
(7) MOTOR UNIT	16
(8) FEED MECHANISM	18
(9) LOWER SHAFT MECHANISM.....	24
(10) THREAD CUTTING MECHANISM	26
(11) THREAD WIPER MECHANISM	28
(12) UPPER THREAD GUIDE MECHANISM	30
(13) ATTACHMENTS.....	34
(14) PACKING MATERIALS / PRINTED MATTER.....	36

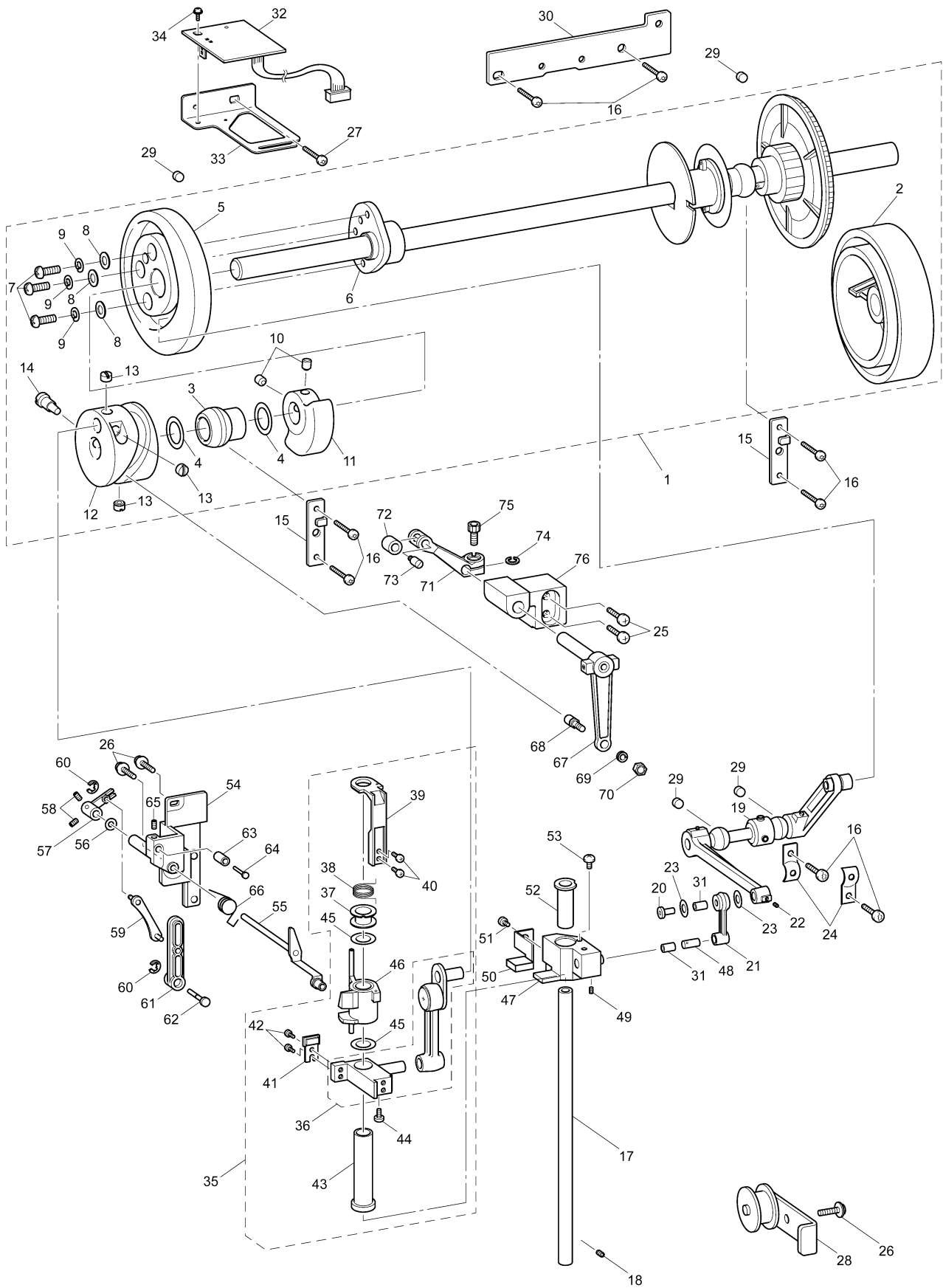
Note on parts:

We keep performance parts for this sewing machine for at least 8 years after this model is discontinued. Performance parts are the necessary parts to maintain the function of the sewing machine.

(1) PRINCIPAL PARTS



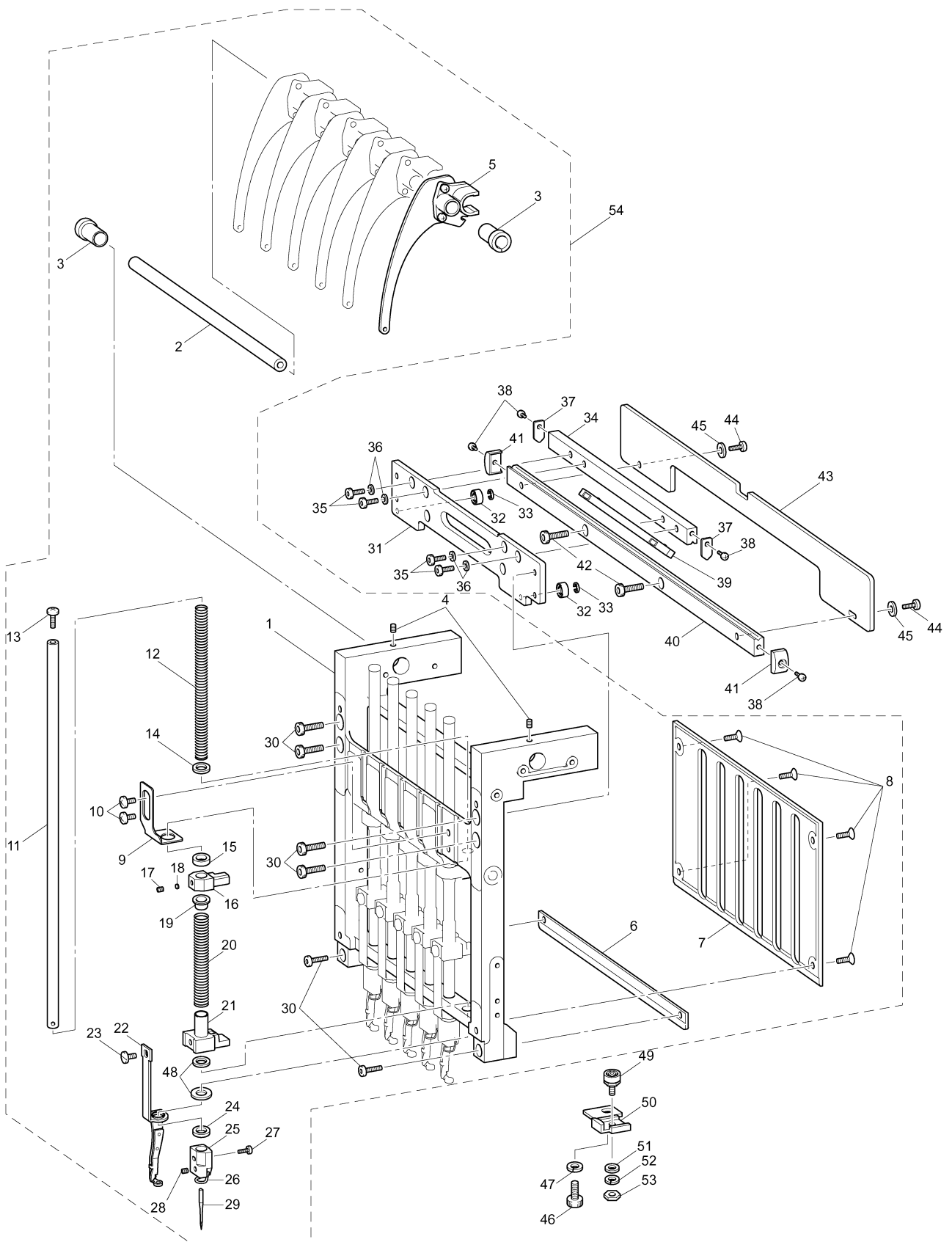
(2) UPPER SHAFT MECHANISM



(2) UPPER SHAFT MECHANISM

No.	CODE	NAME	REMARKS	No.	CODE	NAME	REMARKS
1	XE3702102	UPPER SHAFT SUPPLY ASSY	1000020799	45	131976050	WASHER, THRUST	
2	XC5597152	PULLEY	1000020799	46	XE7550001	JUMP BRACKET	1000019484
3	XC5603051	UPPER SHAFT METAL	ADD	47	XC5635151	P-FOOT VERTICAL BASE	
4	X55548050	WASHER, TRUST	ADD	48	XC5636151	P-FOOT VERTICAL PIN	
5	XC5605151	PRESSER FOOT CAM	ADD	49	014400432	SET SCREW, SOCKET (CP) M4X4	
6	XC5606051	PRESSER FOOT CAM COLLAR	ADD	50	XC5638151	PRESSER FOOT CUSHION BASE	1000007827
7	062401213	SCREW PAN M4X12	ADD	51	060300516	SCREW, BIND M3X5	
8	025040133	WASHER, PLAIN S 4	ADD	52	XC5637051	P-FOOT VERTICAL BUSH	
9	028040343	WASHER SPRING 3-4	ADD	53	008260304	SCREW, TRUSS M2.6X3	
10	014500632	SET SCREW SOCKET (CP) M5X6	ADD	54	XC5648051	J BASE ASSY	
11	XC5607051	BALANCER	ADD	55	XC5651051	J DRIVING LEVER ASSY	
12	XC5609051	THREAD TAKE-UP CAM	ADD	56	X53027050	WASHER	
13	XE1211001	SET SCREW (CP) SM6.35	ADD	57	XC5656051	J DIFFERENTIAL LEVER	
14	XC5610051	SCREW	ADD	58	014300432	SET SCREW, SOCKET (CP) M3X4	
15	XC6362051	METAL PRESSER		59	XC5657051	J LINK ASSY	
16	X57908052	TAPTITE, BIND S M4X10	1000010516	60	048040346	RETAINING RING, E4	
17	XC5623051	BASE NEEDLE BAR		61	XC5661051	J SLIDE LEVER	
18	014500632	SET SCREW, SOCKET (CP) M5X6		62	XC5662051	J SLIDE LEVER SHAFT	
19	XC5624351	DRIVING SHAFT ASSY, P-FOOT	1000015114	63	XC5663051	J CUSHION	
20	XC5632251	P-FOOT LEVER SHAFT		64	XC5664051	J CUSHION PIN	
21	XC5633251	CONNECTING ROD, P-FOOT	1000015114	65	012300432	SET SCREW, SOCKET (FT) M3X4	
22	014400432	SET SCREW, SOCKET (CP) M4X4		66	XC5665051	J LEVER SPRING	
23	X50546050	WASHER, THRUST		67	XC5639051	DRIVING LEVER ASSY, T/TAKE-UP	
24	132421051	BUSHING PRESSER		68	XC5627051	ROLLER SHAFT ASSY	
25	060501216	SCREW, BIND M5X12		69	028050246	WASHER, SPRING 2-5	
26	0A5401005	SCREW, PAN (S/P WASHE) M4X10		70	021500103	NUT, 1 M5	
27	138172051	SCREW, PAN (S/P WASHER) M4X10		71	XC5645051	DIFFERENTIAL LEVER, T/TAKE-UP	
28	XC6784051	TENSION PULLEY ASSY		72	107550002	ROLLER	
29	XC3183051	FELT		73	S32575001	THREAD TAKE-UP ROLLER PIN	
30	XD0767051	LED PCB PLATE		74	148782001	SPACER	
31	XZ0207051	LINK FELT, 3.3M		75	018501232	BOLT, SOCKET M5X12	
32	XC6136051	ASSY: MAIN SHAFT SENSOR		76	XC5646051	BEARING, T/TAKE-UP	
33	XC5666051	SENSOR HOLDER					
34	XC7564051	SCREW, PAN (S/P WASHER) M3X6	1000017643				
35	XZ0319151	JUMP BRACKET ASSY	1000020058				
36	XC7135051	CRANK ROD SET					
37	XC5616051	J SPRING COLLAR					
38	XC5617051	J SPRING					
39	XC5614051	J BRACKET					
40	062300416	SCREW, PAN M3X4					
41	XC5622051	J CUSHION BASE					
42	062260316	SCREW, PAN M2.6X3					
43	XC5621051	J VERTICAL BUSH					
44	008260304	SCREW, TRUSS M2.6X3					

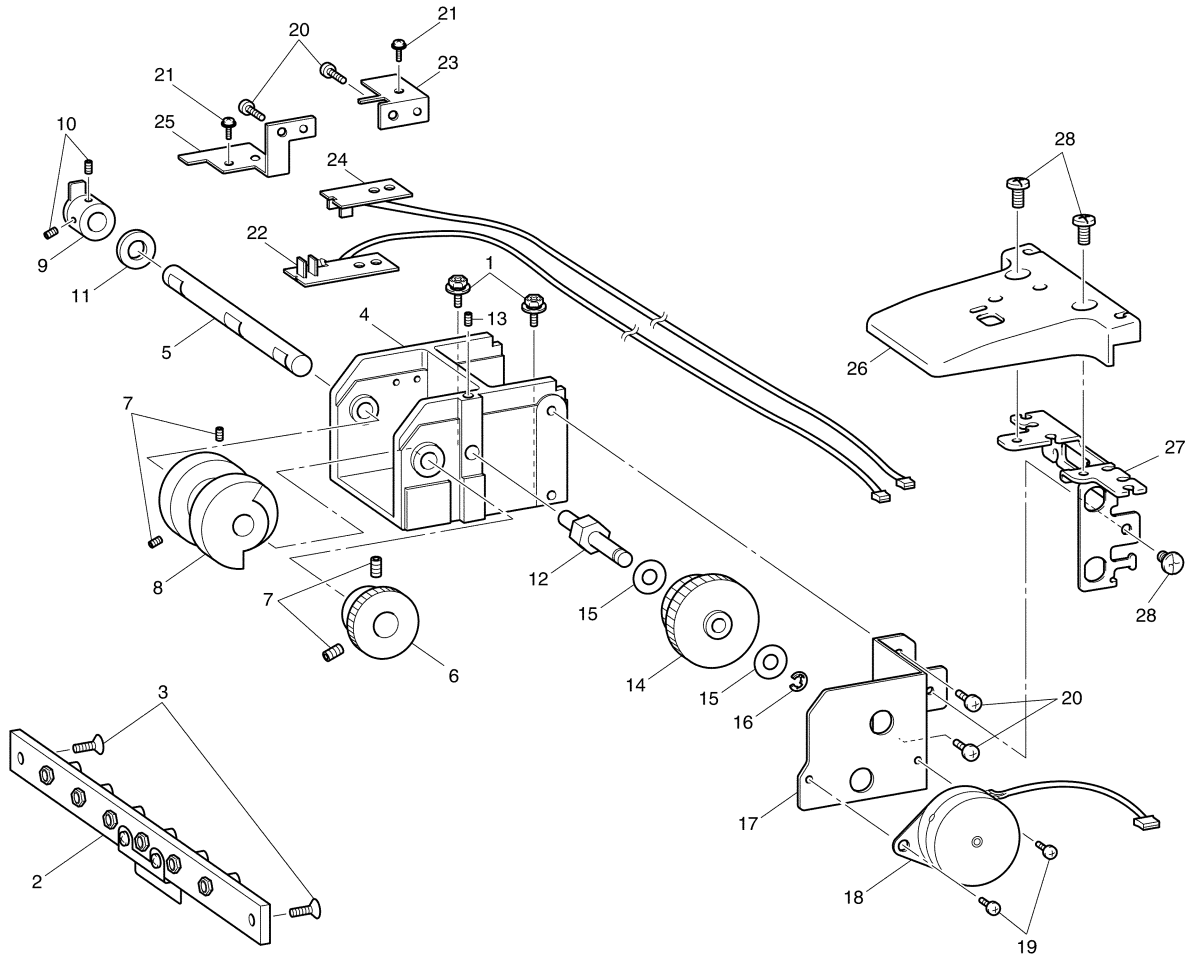
(3) NEEDLE BAR MECHANISM



(3) NEEDLE BAR MECHANISM

No.	CODE	NAME	REMARKS	No.	CODE	NAME	REMARKS
1	XC4954251	NEEDLE BAR CASE ASSY	1000014466	45	025040236	WASHER, PLAIN M 4	
2	XC5671051	THREAD TAKE-UP SHAFT		46	018501632	BOLT, SOCKET M5X16	060139
3	XC5672051	THREAD TAKE-UP BUSH		47	028050246	WASHER, SPRING 2-5	
4	012400432	SET SCREW, SOCKET (FT) M4X4		48	XC7249052	NEEDLE BAR FELT S	
5	XC5673051	THREAD TAKE-UP LEVER ASSY		49	XC7472051	CASE POSITIONING SHAFT ASSY	
6	XC5676051	CASE GUIDE, D		50	XC5702151	CASE POSITIONING PLATE	1000018432
7	XC5677051	GUIDE RAIL, NEEDLE BAR		51	025040236	WASHER, PLAIN M 4	
8	004401003	SCREW, FLAT M4X10		52	028040246	WASHER, SPRING 2-4	
9	XC5678151	TOP DEAD CENTER PLATE	1000019681	53	021400206	NUT, 2 M4	
10	060400616	SCREW, BIND M4X6					
11	XC5679051	NEEDLE BAR		54	XE2882201	NEEDLE BAR UNIT ASSY	1000014466
12	XC5680051	SPRING, NEEDLE BAR					
13	062500816	SCREW, PAN M5X8					
14	118735002	WASHER					
15	S36153100	RUBBER, CUSHION					
16	XE1172001	NEEDLE BAR CLAMP	1000004005				
17	014680432	SET SCREW, SOCKET SM4.37-40X4					
18	100507050	WASHER					
19	XC5682051	PRESSER FOOT SPRING COLLAR					
20	XC5683051	PRESSER FOOT SPRING					
21	XC5684051	PRESSER FOOT CLAMP					
22	XC5685051	PRESSER FOOT ASSY					
23	0A2300606	SCREW PAN (P WASHER) M3X6	1000025962				
24	XC5689051	PRESSER FOOT CUSHION					
25	XC5690051	THREAD GUIDE, NEEDLE BAR					
26	XC7020051	THREAD GUIDE					
27	XC7021052	SCREW SM 2.38					
28	016300436	SET SCREW, SOCKET (CN) M3X4					
29	XC5691011	NEEDLE HAX130 EBBR					
30	018401632	BOLT, SOCKET M4X16					
31	XC5693051	CASE BRACKET ASSY					
32	070694809	BALL BEARING RADIAL 694ZZ	1000015840				
33	048030346	RETAINING RING, E3					
34	XC5696051	CASE GUIDE, US					
35	018400832	BOLT, SOCKET M4X8					
36	XC7406051	WASHER					
37	XC5697051	SLIDE ROLLER STOPPER					
38	062300416	SCREW, PAN M3X4					
39	XC5698051	SLIDE ROLLER					
40	XC5699051	CASE GUIDE, UL					
41	XC5700051	CASE GUIDE COVER, UL					
42	018401232	BOLT, SOCKET M4X12					
43	XC5701051	THREAD TAKE-UP GUIDE					
44	062400816	SCREW, PAN M4X8					

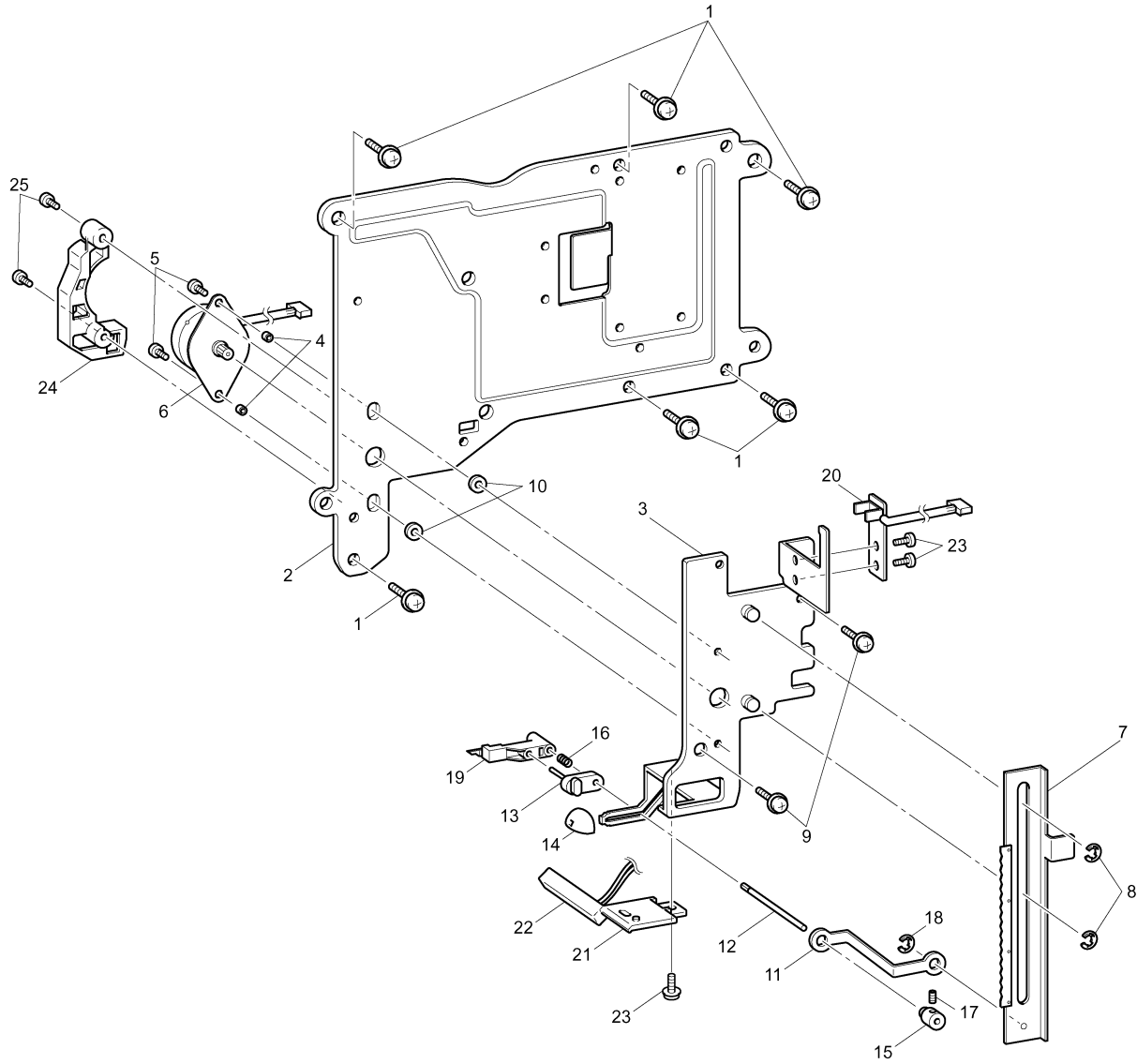
(4) NEEDLE BAR CHANGE MECHANISM



(4) NEEDLE BAR CHANGE MECHANISM

No.	CODE	NAME	REMARKS
1	XC7323151	BOLT.(S/P WASHER) M5X16	1000004869
2	XC5717051	CHANGE ROLLER BASE ASSY	
3	004401003	SCREW, FLAT M4X10	
4	XC5705051	CHANGE BOX ASSY	
5	XC5708051	CHANGE CAM SHAFT	
6	XC5709051	CHANGE GEAR	
7	014500632	SET SCREW, SOCKET (CP) M5X6	
8	XC5710051	CHANGE CAM	
9	XC5711051	C STOP POSITION DOG	
10	014400432	SET SCREW, SOCKET (CP) M4X4	
11	X51383050	WASHER, THRUST	
12	XC5712051	DIFFERENTIAL GEAR SHAFT	
13	012400432	SET SCREW, SOCKET (FT) M4X4	
14	XC5713051	C DIFFERENTIAL GEAR	
15	025060235	WASHER, PLAIN M 6	
16	048040346	RETAINING RING, E4	
17	XC5714051	CHANGE MOTOR BASE	
18	XC6185051	ASSY: INDEX MOTOR	
19	062300416	SCREW, PAN M3X4	
20	060400816	SCREW, BIND M4X8	1000011682
21	XC7564051	SCREW, PAN (S/P WASHER) M3X6	1000017643
22	XC6140051	ASSY: INDEX SENSOR	
23	XC5715051	C SENSOR BRACKET	
24	XC6143051	ASSY: COLOR CHANGE SENSOR	
25	XC5716051	C SENSOR BRACKET LOWER	
26	XE6300201	CHANGE BOX CENTER COVER	1000014755
27	XE6270101	LED CORD HOLDER	1000014534
28	060400816	SCREW BIND M4X8	

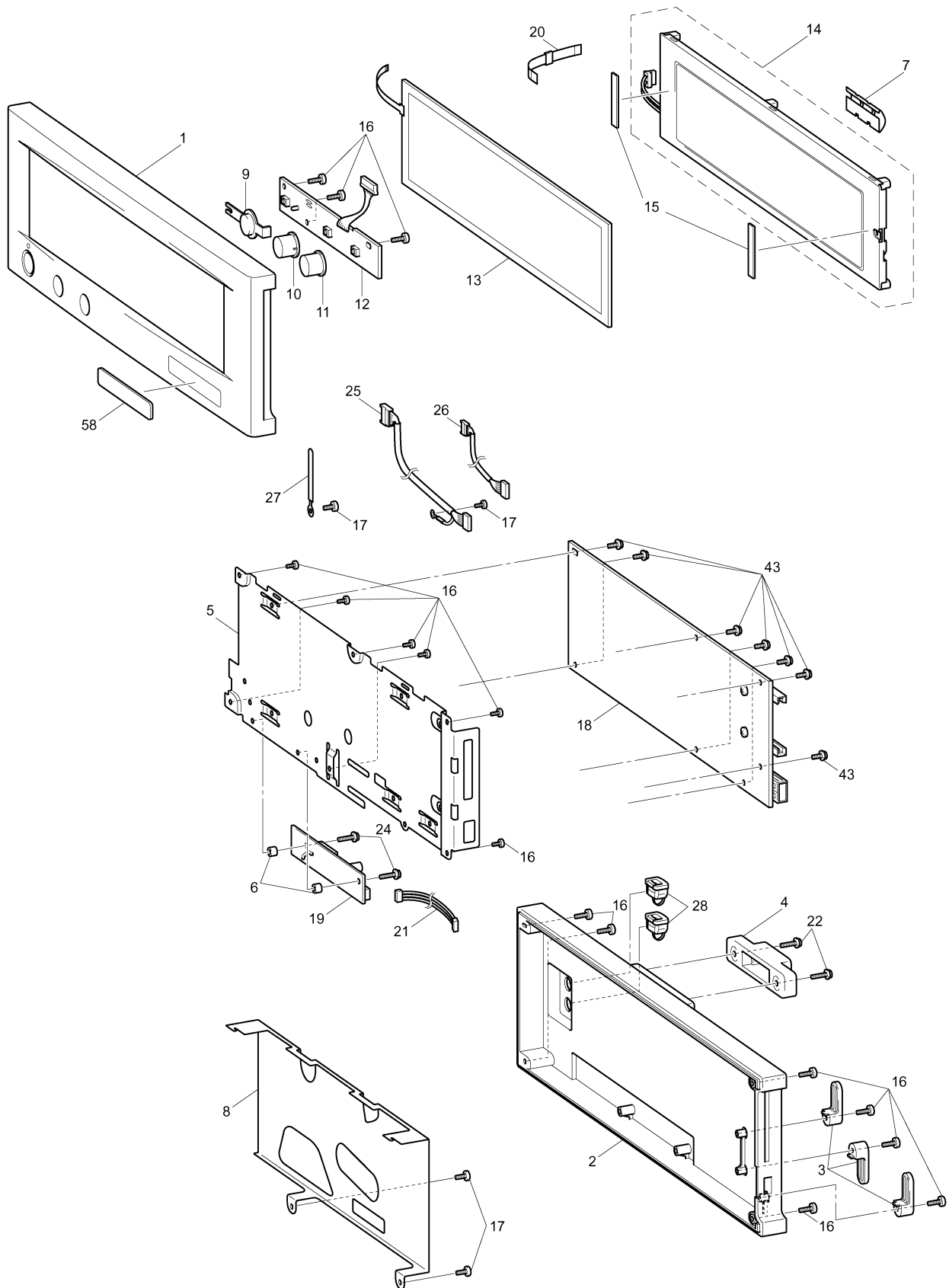
(5) THREAD GUIDE MECHANISM



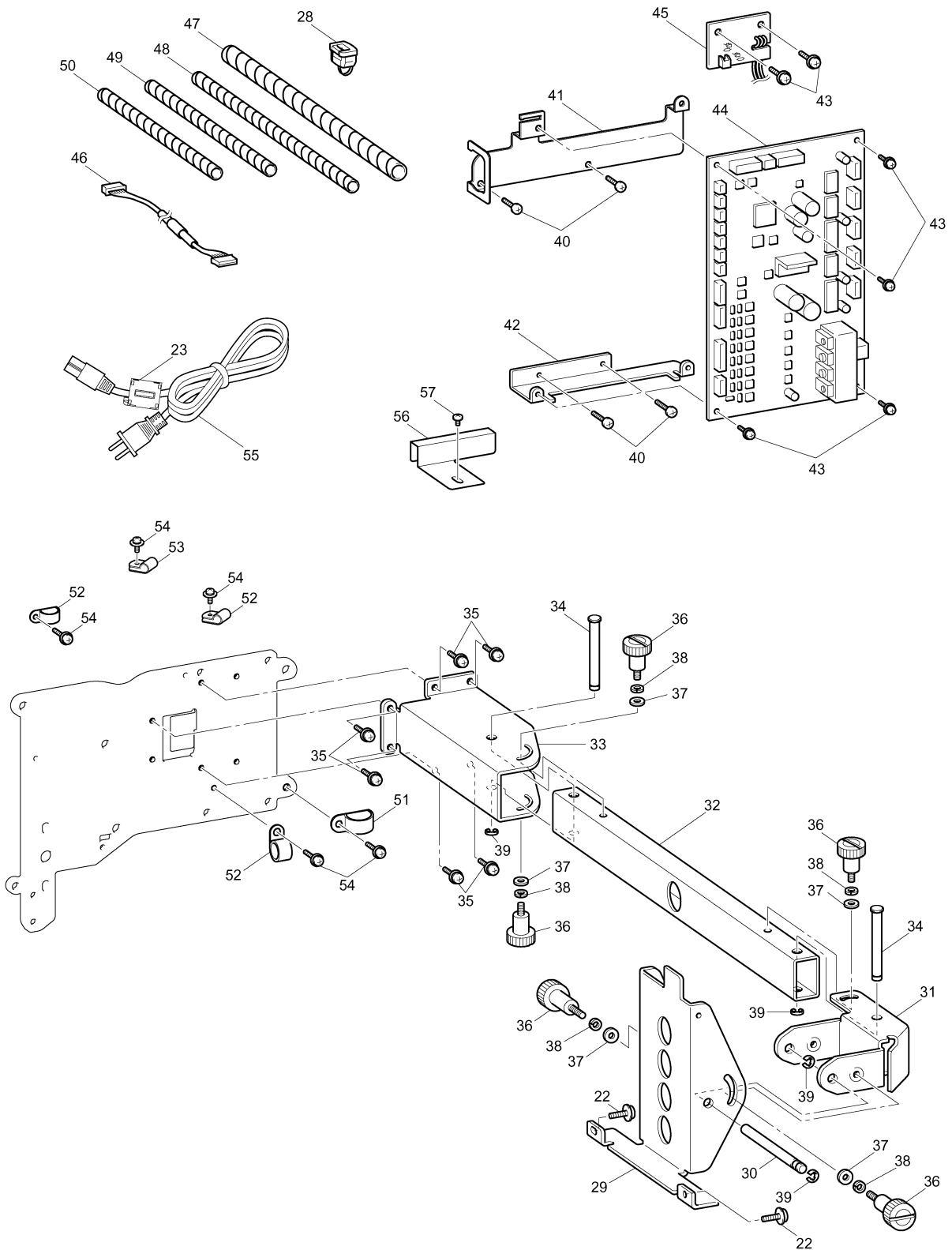
(5) THREAD GUIDE MECHANISM

No.	CODE	NAME	REMARKS
1	X57908051	TAPTITE, BIND S M4X10	
2	XC5723151	THREAD GUIDE BASE	
3	XC5724151	BASE PLATE ASSY	
4	XC5727151	SPACER	
5	062300616	SCREW, PAN M3X6	
6	XC6188051	ASSY: TH MOTOR	
7	XC6507051	RACK ASSY	
8	048040346	RETAINING RING, E4	
9	0A5400806	SCREW, PAN (S/P WASHER) M4X8	
10	025040136	WASHER, PLAIN S 4	1000000463
11	XC5730051	HOOK HOLDER LINK	
12	XC5739151	HOOK HOLDER AXIS B	
13	XC6510051	SET COLLAR ASSY	
14	XC5740151	CAP	1000019684
15	XC6076151	BUSH	
16	XC7375051	HOOK HOLDER SPRING	
17	014300332	SET SCREW, SOCKET (CP) M3X3	
18	048030346	RETAINING RING, E3	
19	XC5732051	HOOK HOLDER ASSY	
20	XC6158051	ASSY: NEEDLE TH SENSOR	
21	XD1150051	LED LIGHT ASSY	
22	XD0758051	LED SEAL	
23	XC7564051	SCREW, PAN (S/P WASHER) M3X6	
24	XD0676051	LEAD WIRE GUIDE	
25	062300416	SCREW PAN M3X4	

(6) ELECTRONIC PARTS



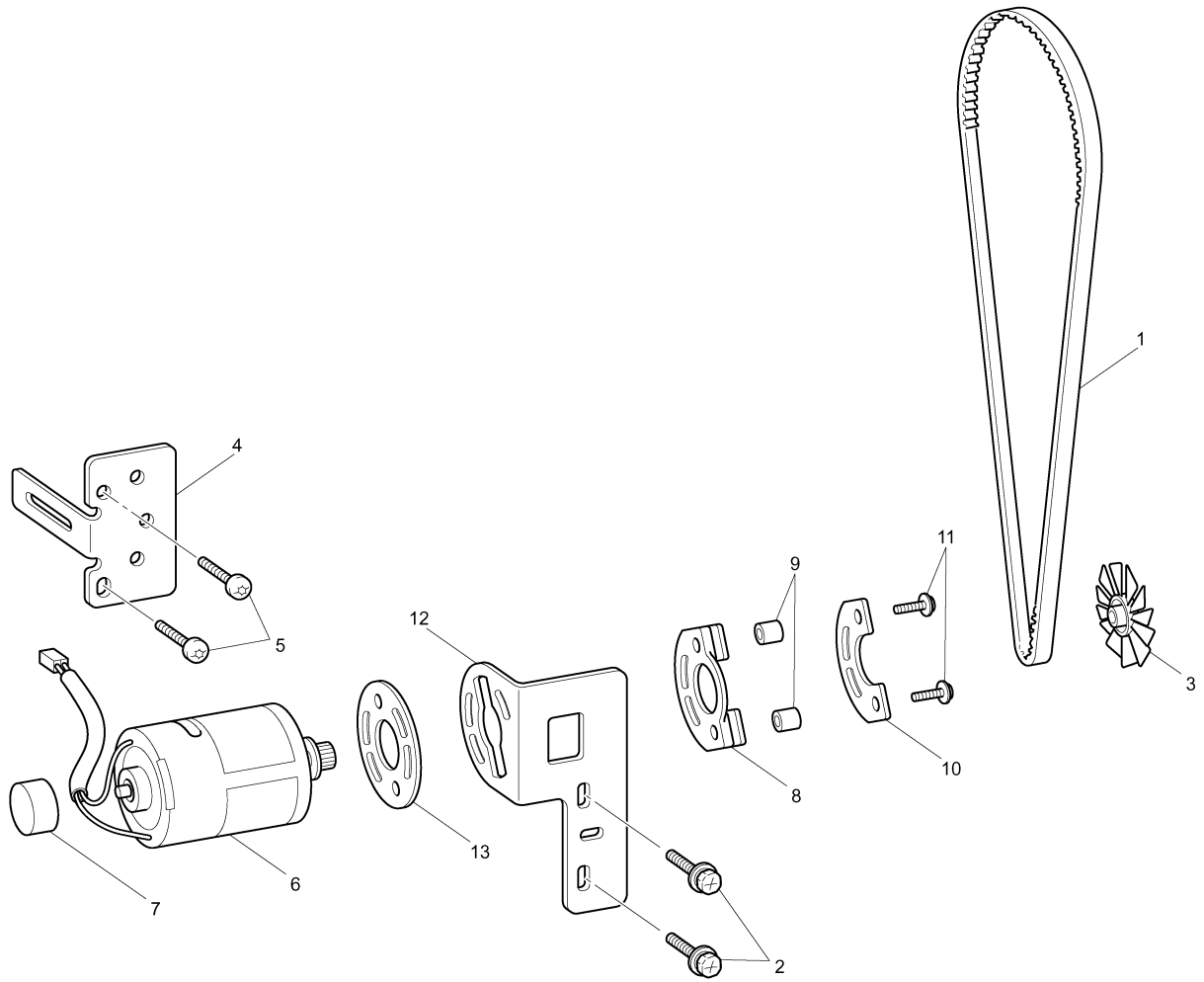
(6) ELECTRONIC PARTS



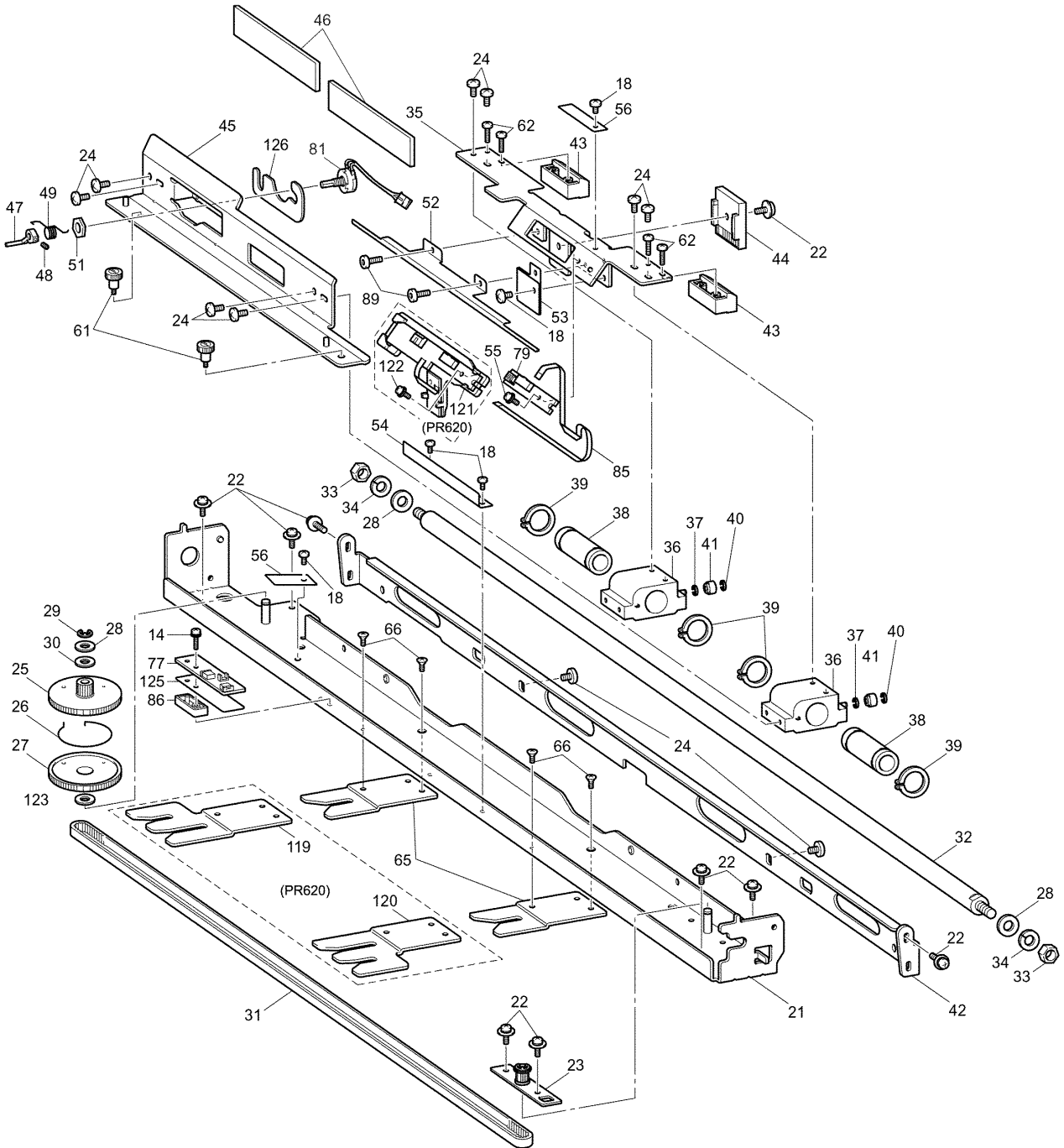
(6) ELECTRONIC PARTS

No.	CODE	NAME	REMARKS	No.	CODE	NAME	REMARKS
1	XD0667053	OPERATION PANEL A	1000020799	44	XC7396151	SUPPLY ASSY: MAIN PCB	1000014878
2	XD0668051	OPERATION PANEL B		45	XD1079051	LED DRIVE PCB ASSY	
3	XD0761051	USB CORD HOLDER		46	XC6198051	LEAD WIRE ASSY: HEAD	
4	XD0757051	PANEL B SUPPORT		47	XC5069051	SPIRAL TUBE A	
5	XD0669051	PLATE FOR PCB ATTACHMENT		48	XC5073051	SPIRAL TUBE B	
6	XD0677051	COLLAR FOR INVERTER PCB		49	XC5078051	SPIRAL TUBE C	
7	XD0759050	GROUND PLATE B		50	XC6407051	SPIRAL TUBE D	
8	XD0756051	BOARD CASE		51	XZ0201051	CORD CLAMP: WL-5/8	
9	XC5743052	SS BUTTON		52	XC5243051	CORD CLAMP: NK-5N	
10	XC5744053	OPERATION BUTTON	1000020799	53	S10243000	CORD HOLDER, NK-3N	
11	XC5642053	THREAD CUT BUTTON	1000020799	54	0A5401005	SCREW, PAN (S/P WASHE) M4X10	
12	XD1345051	SUPPLY ASSY: SW PCB		55	XC6579051	POWER SUPPLY CORD: CSA-CORE (U.S.A., CANADA)	
13	XD1341051	SUPPLY ASSY: TOUCH PANEL			XD0110151	POWER SUPPLY CORD: IRAM-CORE (ARG)	1000008314
14	XD1342051	SUPPLY ASSY: LCD			XC6580051	POWER SUPPLY CORD: CEE-CORE (OTHER)	
	XD1343051	SUPPLY ASSY: LCD US			XC6581051	POWER SUPPLY CORD: BS-CORE (U.K.)	
15	XA6039051	FRONT COVER SPACER B			XC9560051	POWER SUPPLY CORD: SAA-LF (AUSTRALIA)	
16	X59629051	TAPTITE, BIND B M3X10			XE1963001	POWER SUPPLY CORD: CHN-CORE (CHN)	ADD
17	060300416	SCREW BIND M3X4			XE2744001	POWER SUPPLY CORD: BRZ-CORE (BRA)	1000004045
18	XD1338051	SUPPLY ASSY: PANEL PCB B			XE5846001	POWER SUPPLY CORD: TWN-CORE (TWN)	1000011087
19	XE2041001	INVERTER ASSY D6H	1000002899	56	XC5157051	PROTECT SHEET	
20	XD1115051	FFC: SML2CD-20X70		57	060400516	SCREW, BIND M4X5	
21	XD1127051	LEAD WIRE ASSY: INVERTER		58	XD0673001	PR-600-2 BADGE (PR600II)	
22	087411416	TAPTITE, CUP B M4X14			XE2156001	PR-620 BADGE (PR620)	
23	XD1129001	FERRITE CORE: E04FD110510					
24	0A4301006	SCREW PAN (S/P WASHER) M3X10					
25	XD1155051	LEAD WIRE ASSY PANEL					
26	XD1156051	LEAD WIRE ASSY: USB A					
27	137947001	CLIP					
28	XC7233051	CORD BUSHING 5P-4					
29	XD0663051	OPERATION PANEL HOLDER					
30	XC5747051	OPERATION PANEL HOLDER SHAFT					
31	XD0664051	OPERATION PANEL LEVER A					
32	XD0674051	OPERATION PANEL LEVER B					
33	XD0666151	OPERATION PANEL LEVER C	1000017557				
34	XC5751051	OPERATION PANEL LEVER SHAFT					
35	0A5400806	SCREW, PAN (S/P WASHER) M4X8					
36	XC5553051	THUMB BOLT M4 L					
37	026040236	WASHER, PLAIN M 4					
38	028040246	WASHER, SPRING 2-4					
39	048060346	RETAINING RING, E6					
40	X57908051	TAPTITE, BIND S M4X10					
41	XC5756051	BOARD HOLDER U					
42	XC5757051	BOARD HOLDER D					
43	XC7564051	SCREW, PAN (S/P WASHER) M3X6					

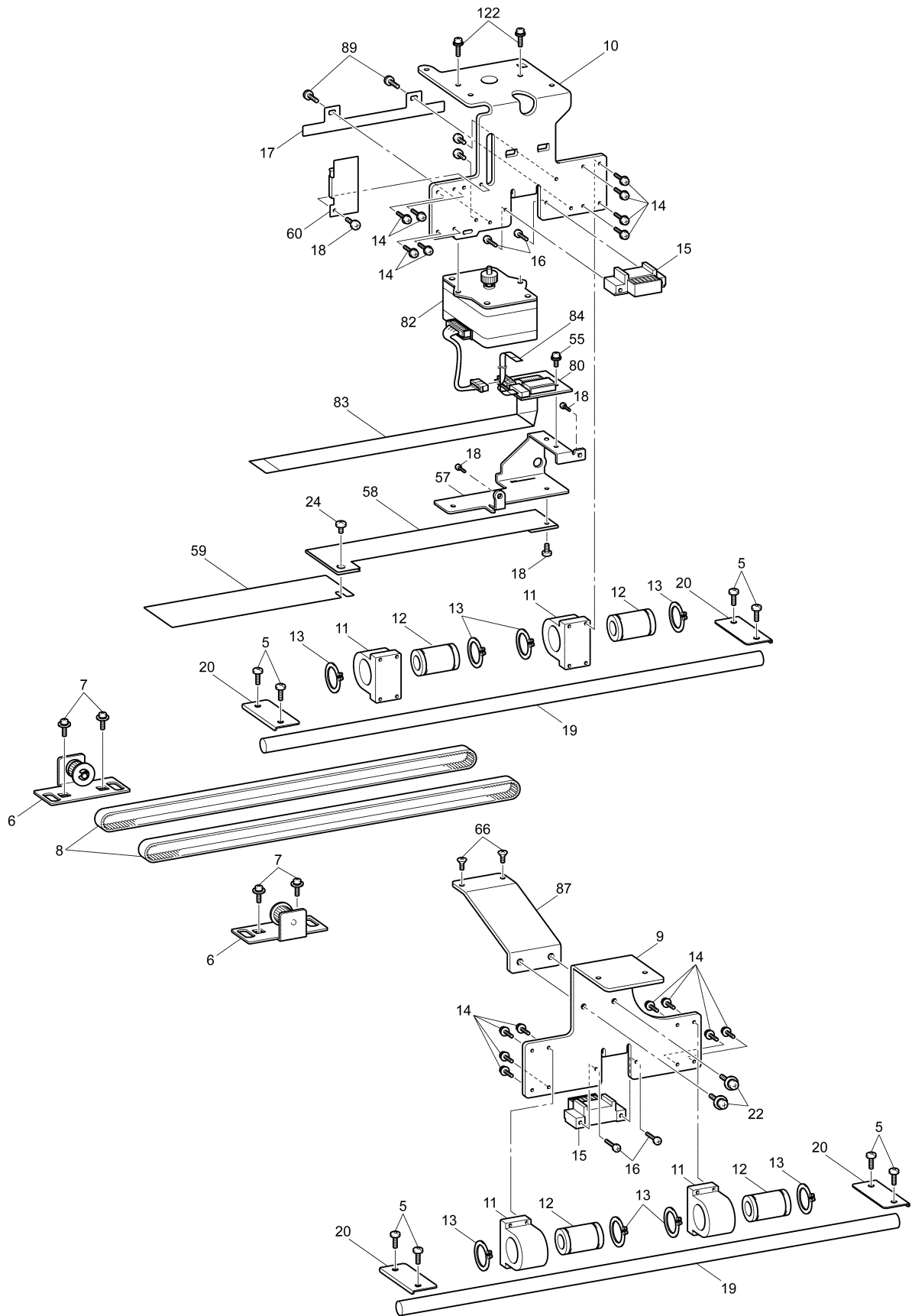
(7) MOTOR UNIT



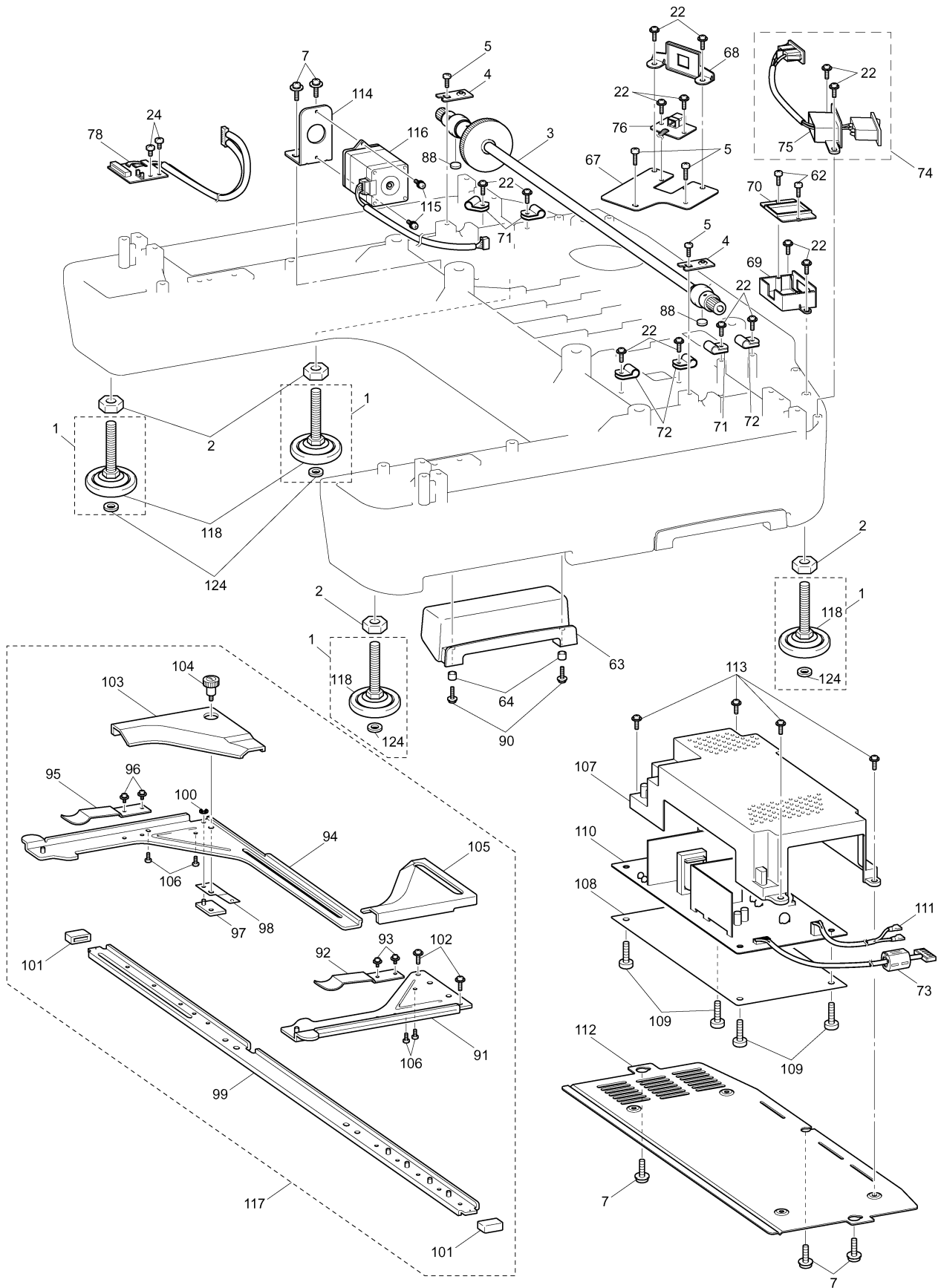
(8) FEED MECHANISM



(8) FEED MECHANISM



(8) FEED MECHANISM



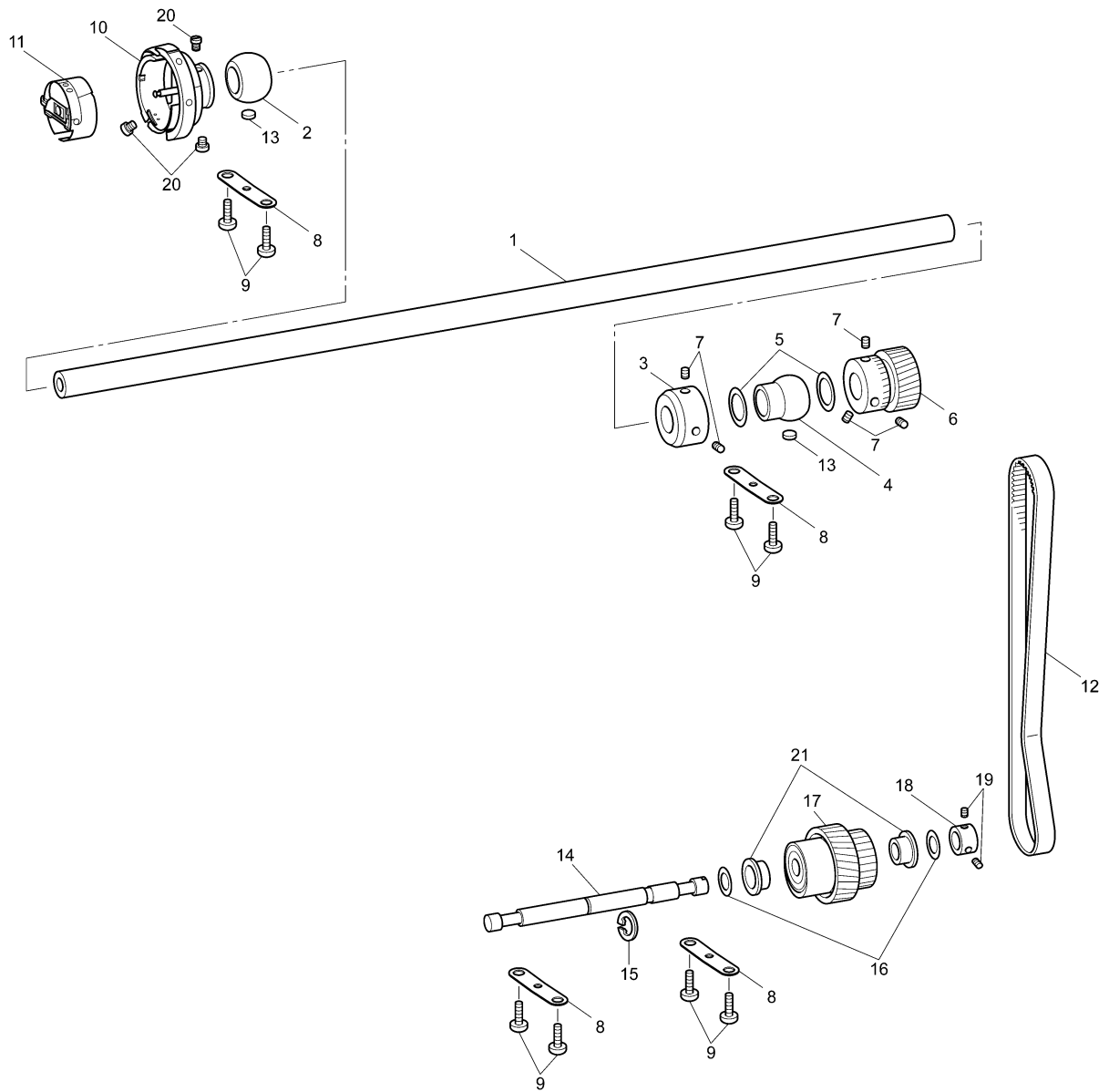
(8) FEED MECHANISM

No.	CODE	NAME	REMARKS	No.	CODE	NAME	REMARKS
1	XD0747051	ADJUST BOLT M8	050168	45	XC5799151	X CARRIAGE A ASSY	1000012108
2	021080206	NUT, 2 M8		46	XE8211001	X CARRIAGE SLIDING SHEET	1000017666
3	XC5767151	Y DRIVING SHAFT ASSY		47	XC5801051	HOOP LEVER	
4	X52478051	BUSHING PRESSER		48	012300632	SET SCREW, SOCKET (FT) M3X6	
5	X57908051	TAPTITE, BIND S M4X10		49	XC5802051	SPRING	
6	XC5771051	Y TENSION PLATE SET		50	025060136	WASHER, PLAIN S-6	1000012108
7	0A5401006	SCREW, PAN (S/P WASHE) M4X10		51	X52569001	NUT	
8	XC5775051	T BELT B60S3M579		52	XC5803051	X SENSOR DOG	
9	XC5776051	Y CARRIAGE R		53	XC5804051	X CABLE FIXING SHEET A	
10	XC5777051	Y CARRIAGE L		54	XC5805051	X CABLE FIXING SHEET B	
11	XC5779051	BEARING CASE Y		55	XC7564051	SCREW, PAN (S/P WASHER) M3X6	
12	XC5780051	BEARING 10, LINER	1000015840	56	XC5806051	X CABLE FIXING SHEET C	
13	048190142	RETAINING RING, EXTERNAL C19		57	XC5807051	PCB SET PLATE	
14	0A4301006	SCREW, PAN (S/P WASHE) M3X10	1000020272	58	XC5808051	Y CABLE PROTECTION SHEET A	
15	XC5781151	Y BELT PRESSER	1000022757	59	XC6121051	Y CABLE PROTECTION SHEET B	
16	085311416	TAPTITE, BIND P M3X12	1000004936	60	XC5809151	CODE GRIP	1000017478
17	XC5782051	Y SENSOR DOG		61	XC5817051	SCREW, KNOB M4S	
18	060300416	SCREW, BIND M3X4		62	085311415	TAPTITE, BIND B M3X14	060207
19	XC5783051	Y GUIDE SHAFT		63	XC5834051	HANDLE	
20	XC5784151	FIXED Y SHAFT PLATE	1000018384	64	XC5835051	BUSH 4X4	
21	XC5785051	FEED FRAME ASSY		65	XC5836051	CAP CONNECTION (PR600II)	
22	0A5400806	SCREW, PAN (S/P WASHER) M4X8		66	061300616	SCREW, FLAT M3X6	
23	XA9657051	TENSION PULLEY ASSY		67	XC5838051	USB PCB HOLDER	
24	060400616	SCREW, BIND M4X6		68	XC5837053	USB PCB COVER	1000020799
25	XC3227001	Y DRIVING GEAR PULLEY A		69	XC5839152	INLET COVER	1000020799
26	XC3194051	SPRING FOR GEAR		70	XC6072051	INLET COVER LID	
27	XC3192001	Y DRIVING GEAR PULLEY B		71	XA8837051	CORD CLAMP	
28	XE0863051	WASHER, M6	060060	72	XA7678051	CORD CRAMP	
29	048040343	RETAINING RING E4	1000015204	73	XE7045001	FERRITE CORE: LF0930A	1000014883
30	X53838051	WASHER		74	XC6201052	ASSY: POWER SW (U.S.A., CANADA)	1000020799
31	XC5788051	T BELT B60S796			XC5644052	ASSY: POWER SW EC	1000020799
32	XC5789051	X GUIDE SHAFT		75	XC5840054	SWITCH HOLDER	1000020799
33	021060206	NUT, 2 M6		76	XC6174051	ASSY: USB PCB	
34	028060246	WASHER, SPRING 2-6		77	XC6146051	ASSY: X AREA SENSOR	
35	XC5790051	X CARRIAGE B		78	XC6148051	ASSY: Y AREA SENSOR	
36	XC5792051	BEARING CASE X ASSY		79	XC6169051	ASSY: HOOP PCB (PR600II)	
37	048040346	RETAINING RING, E4		80	XC6171051	ASSY: CONNECT PCB	
38	XC6222051	BEARING 12 LINER	1000015840	81	XC6177051	ASSY: HOOP SENSOR	
39	048210142	RETAINING RING, EXTERNAL C21		82	XC6182051	ASSY: X MOTOR	
40	048040346	RETAINING RING, E4		83	XC6189051	FFC: SML2CD-Y	
41	XC5796051	X ROLLER		84	XC6190051	FFC: SML2CD-C	
42	XC6221051	X FEED FRAME B		85	XC6191051	FFC: SML2CD-X	
43	XC6218051	Y FRAME SPACER		86	XC6219151	X FRAME SPACER	1000011865
44	XC5798051	X BELT PRESSER		87	XC6500051	Y CARRIAGE RB	

(8) FEED MECHANISM

No.	CODE	NAME	REMARKS
88	XC3183051	FELT	
89	018300532	BOLT, SOCKET M3X5	
90	XC7077051	SCREW 3X10	
91	XC5819051	TUBULAR ROUND ARM R ASSY	
92	XC7076051	SPRING, PLATE	
93	XC7644051	SCREW, PAM (S/P WASHER) M3X5	
94	XC5823051	TUBULAR ROUND ARM L ASSY	
95	XC7076051	SPRING, PLATE	
96	XC7644051	SCREW, PAM (S/P WASHER) M3X5	
97	XC5827051	GUIDE PLATE ASSY	
98	XC5826051	SPRING PLATE	
99	XC5813051	HOOP STAY ASSY	
100	048030346	RETAINING RING, E3	
101	XC5816051	RUBBER	
102	0A5400806	SCREW, PAN (S/P WASHER) M4X8	
103	XC5841052	TUBULAR ARM COVER L	1000020799
104	XC5553051	THUMB BOLT M4 L	
105	XC5842052	TUBULAR ARM COVER R	1000020799
106	136681051	TAPTITE, BIND B M3X8	
107	XC5832251	POWER UNIT COVER	
108	XC5833051	INSULATION PLATE	
109	085311415	TAPTITE, BIND B M3X14	060207
110	XE7038001	POWER PCB SUPPLY ASSY:100 (U.S.A., CAN, TWN, BRA)	1000024304
	XE7039001	SUPPLY ASSY: POWER PCB 200 (EXCEPT: USA, CAN, TWN, BRA)	1000017740
111	XC6209051	LEAD WIRE ASSY: POWER	
112	XC5831051	POWER UNIT STAY	
113	0A5401206	SCREW, PAN (S/P WASHE) M4X12	
114	XC5810051	Y MOTOR STAY	
115	0A4300605	SCREW, PAN (S/P WASHER) M3X6	
116	XC6183051	ASSY: Y MOTOR	
117	XD0637051	TUBULAR ROUND ARM SUPPLY ASSY	ADD
118	XD0752051	RUBBER CUSHION	ADD
119	XE2319001	CYLINDER CONNECTION L (PR620, 620C)	ADD
120	XE2320001	CYLINDER CONNECTION R (PR620, 620C)	ADD
121	XE1808001	MAGNET PCB ASSY (PR620, 620C)	ADD
122	0A4300806	SCREW PAN (S/P WASHER) M3X8	1000020272
123	X50546050	WASHER, THRUST	1000004606
124	XD0751051	WASHER	1000008545
125	XE2281001	INSULATION SHEET	1000011865
126	XE2313001	PT METER PLATE	1000012108

(9) LOWER SHAFT MECHANISM

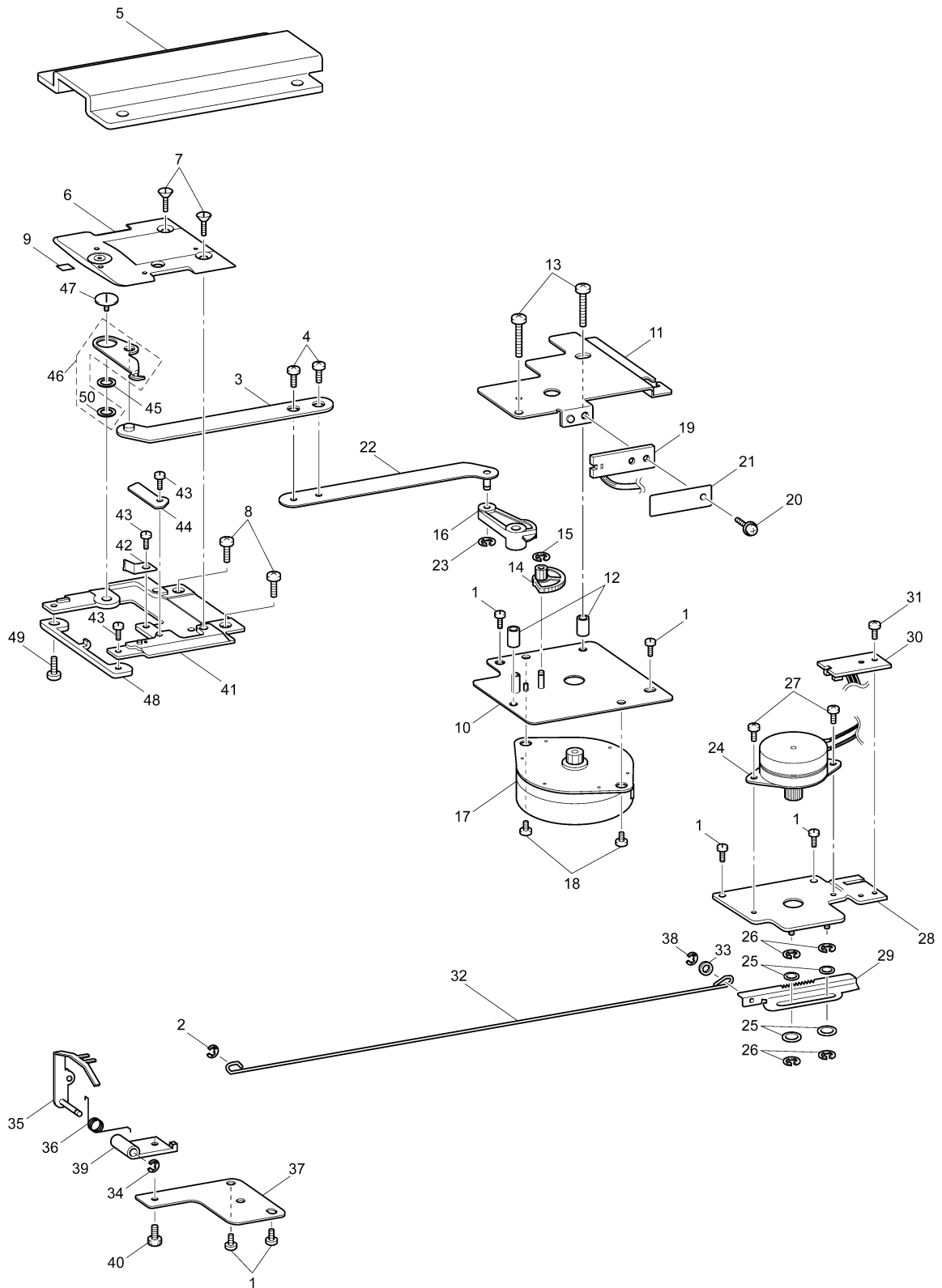


(9) LOWER SHAFT MECHANISM

No.	CODE	NAME	REMARKS
1	XC5843051	LOWER SHAFT	
2	XC5630051	LOWER SHAFT METAL, F	
3	XA0840051	COLLAR	
4	XC5845051	LOWER SHAFT METAL, R	
5	XA0835050	WASHER. THURST 7.24	
6	XA0841051	LOWER SHAFT GEAR	
7	014060632	SET SCREW, SOCKET (CP) M6X6	
8	X57943051	BUSHING PRESSER	
9	X57908051	TAPTITE, BIND S M4X10	
10	XC6924001	ROTARY HOOK, DB1-ATR (1QB)	
11	XC7206001	BOBBIN CASE ASSY	
12	XC5846051	T BELT-S5M-525	
13	XC3183051	FELT	
14	XC5847051	IDLE PULLEY SHAFT	
15	048070346	RETAINING RING, E7	
16	X51383050	WASHER, THRUST	
17	XE7033001	IDLE PULLEY	1000019478
18	137768151	SET SCREW COLLAR	
19	014400432	SET SCREW, SOCKET (CP) M4X4	
20	XC7271001	HOOK SET SCREW4.46	
21	S55792001	BALL BEARING	ADD

When you order No.17 part, please confirm if machine has No.21 part beforehand.
If not, please order No.17 & 21 together.

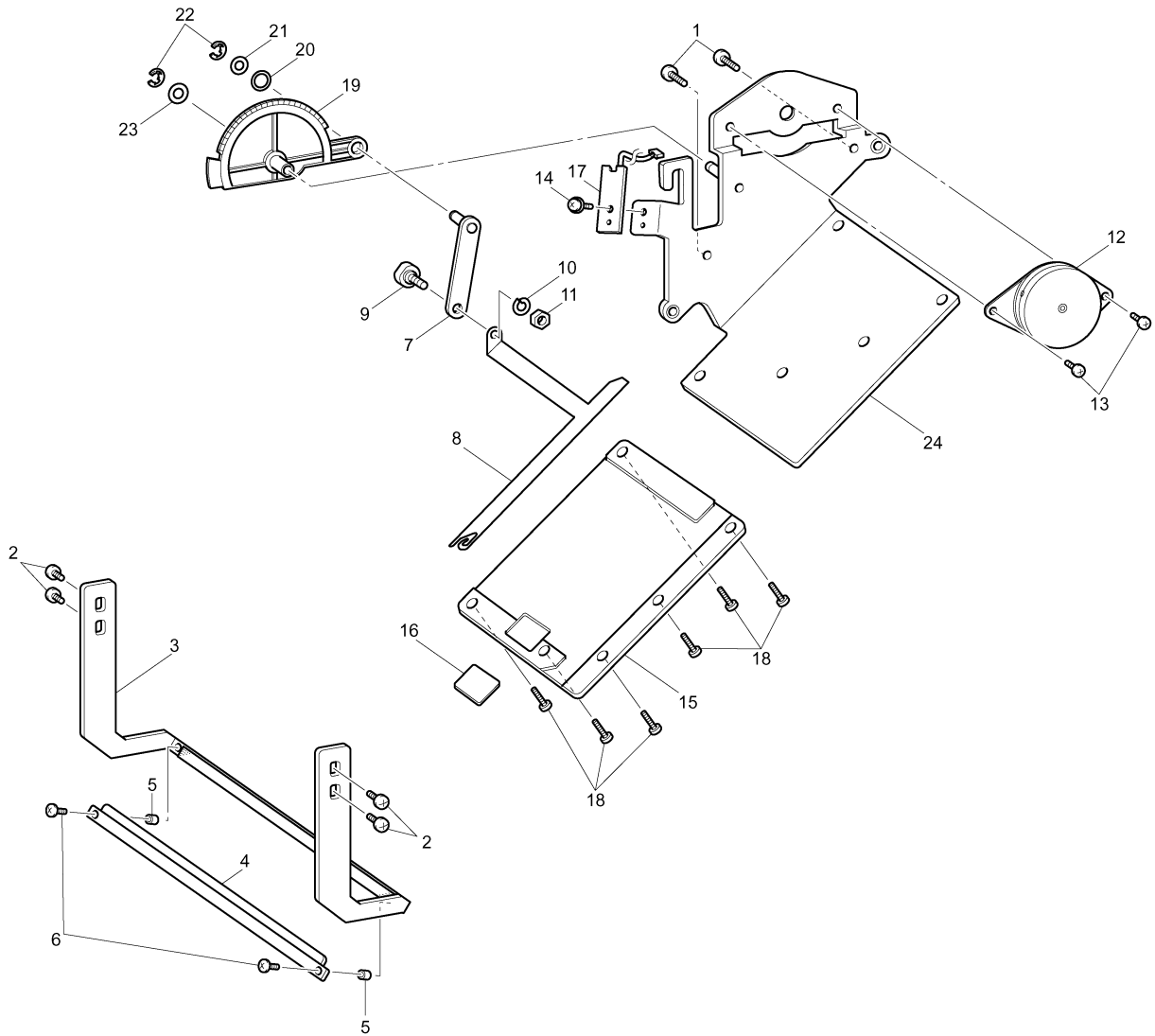
(10) THREAD CUTTING MECHANISM



(10) THREAD CUTTING MECHANISM

No.	CODE	NAME	REMARKS	No.	CODE	NAME	REMARKS
1	060400616	SCREW, BIND M4X6		46	XC6908151	MOVABLE KNIFE SUPPLY ASSY	060201
2	048020346	RETAINING RING, E2		47	S32475001	SCREW, M4	
3	XC5871051	CUTTER LINK ASSY		48	XC5879051	ROTARY HOOK STOPPER	
4	060300416	SCREW, BIND M3X4		49	018300636	BOLT, SOCKET M3X6	
5	XC5874051	BED COVER		50	XE1845001	MOVABLE KNIFE SPACER	
6	XE1142001	NEEDLE PLATE	1000004315				
7	XC6404051	SCREW, FLAT M4					
8	062400816	SCREW, PAN M4X8					
9	XC5984051	FELT					
10	XC5858051	CT MOTOR BRACKET ASSY					
11	XC5863051	CUTTER BRACKET					
12	XC5864051	COLLAR					
13	000401605	SCREW, BIND M4X16					
14	XC5865051	INITIAL GEAR					
15	048020346	RETAINING RING, E2					
16	XC5866051	LEVER GEAR					
17	XC6184051	ASSY: TH CUTTER MOTOR					
18	060300416	SCREW, BIND M3X4					
19	XC6152051	ASSY: TH CUTTER SENSOR					
20	XC7564051	SCREW, PAN (S/P WASHER) M3X6	1000017643				
21	XE7791001	INSULATION SHEET	1000017060				
22	XC5868051	LEVER LINK ASSY					
23	048040346	RETAINING RING, E4					
24	XC6187051	ASSY: PICKER MOTOR					
25	026030136	WASHER, PLAIN S 3					
26	048020346	RETAINING RING, E2					
27	060300416	SCREW, BIND M3X4					
28	XC5510051	PK MOTOR BRACKET ASSY					
29	XC5513151	RACK ASSY					
30	XC6161051	ASSY: PICKER SENSOR					
31	XC7564051	SCREW, PAN (S/P WASHER) M3X6	1000017643				
32	XC5856051	PICKER LINK					
33	026030136	WASHER, PLAIN S 3					
34	048020346	RETAINING RING, E2					
35	XC5849151	PICKER ASSY					
36	XC5853051	PICKER SPRING					
37	XC5854051	PICKER BRACKET					
38	048020346	RETAINING RING, E2					
39	XC6634151	PICKER HOLDER					
40	018300532	BOLT, SOCKET M3X5					
41	XC5876051	NEEDLE PLATE BASE ASSY					
42	XC6230051	THREAD HOLDING PLATE					
43	XC5881051	SCREW					
44	XC5882051	FIXED KNIFE	1000015428				
45	S32476001	COLLAR, M-KNIFE					

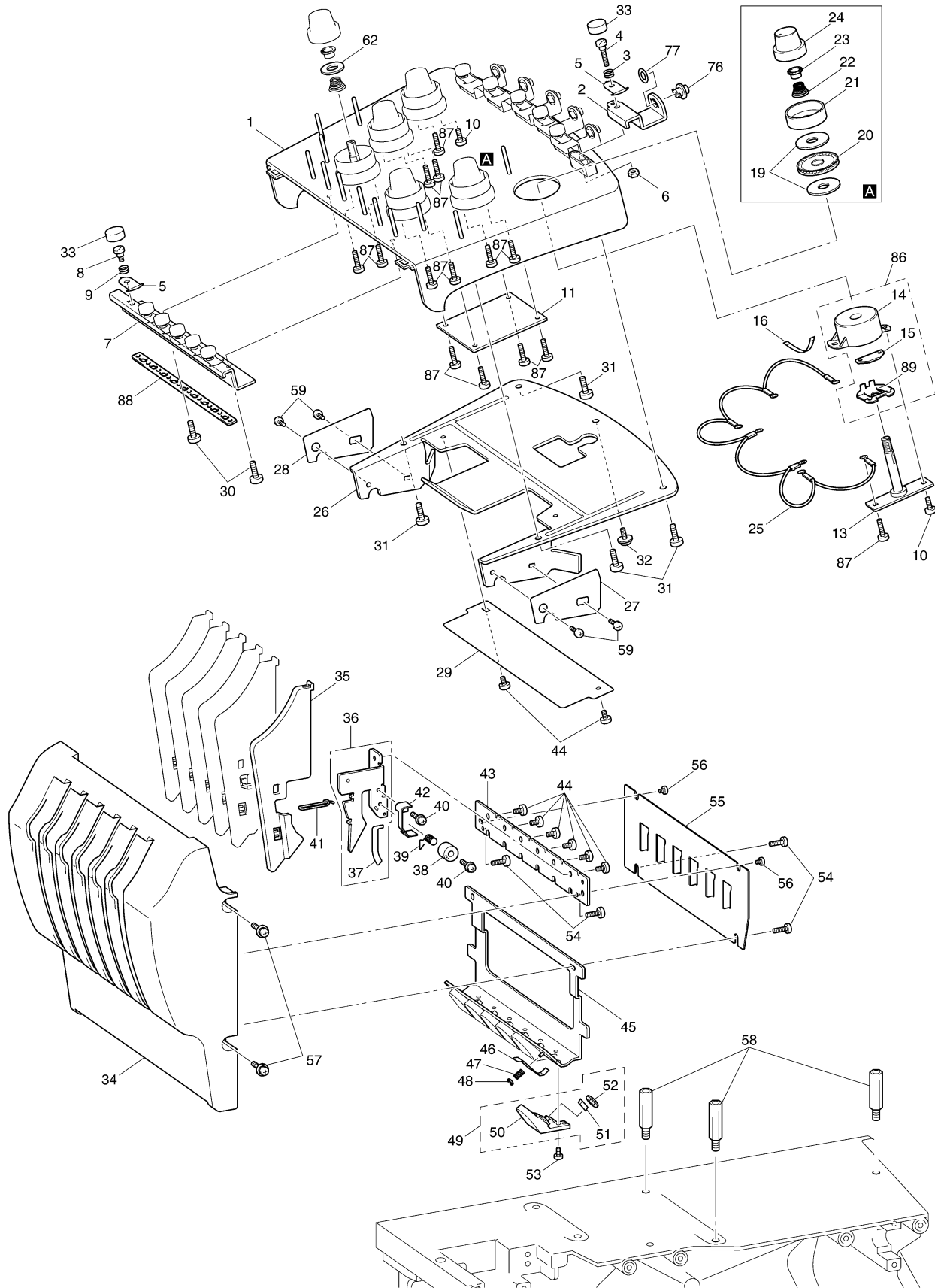
(11) THREAD WIPER MECHANISM



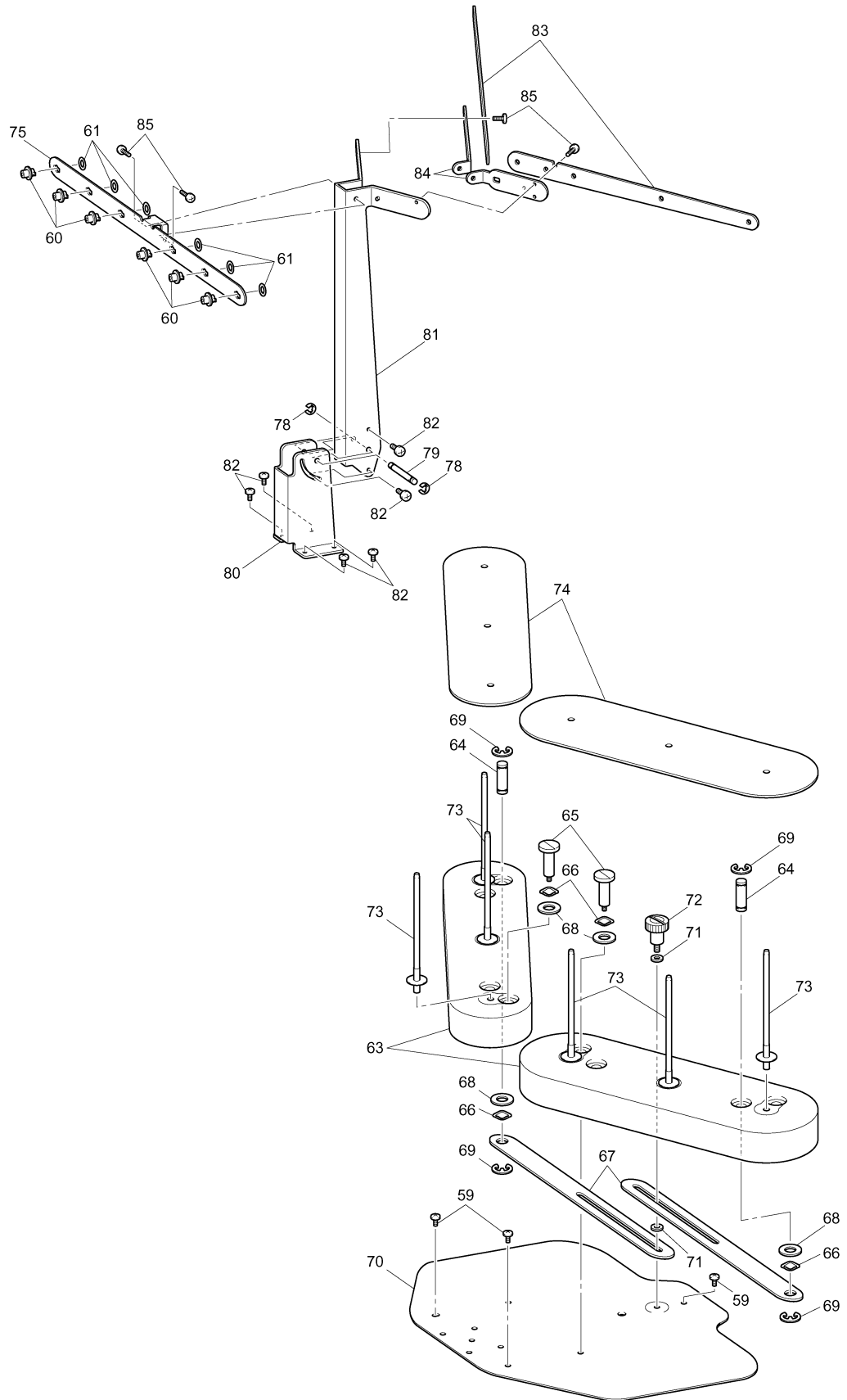
(11) THREAD WIPER MECHANISM

No.	CODE	NAME	REMARKS
1	X57908051	TAPTITE, BIND S M4X10	
2	060400616	SCREW, BIND M4X6	
3	XC5896251	THREAD PRESSER BASE ASSY	1000024124
4	XC5899051	THREAD PRESSER COVER ASSY	
5	XC5902051	THREAD PRESSER SPACER	
6	S46404001	SCREW, PAN M3X7	
7	XC5888051	WIPER LINK ASSY	
8	XC5891151	WIPER HOOK	
9	XC5892051	WIPER SHOULDER SCREW	
10	028040246	WASHER, SPRING 2-4	
11	021400305	NUT, 3 M4	
12	XC6186051	ASSY: WIPER MOTOR	
13	062300416	SCREW, PAN M3X4	
14	XC7564051	SCREW, PAN (S/P WASHER) M3X6	1000017643
15	XC5893151	WIPER GUIDE	
16	XC5894051	WIPER CUSHION	
17	XC6155051	ASSY: WIPER SENSOR	
18	062300616	SCREW, PAN M3X6	
19	XC5887151	WIPER LEVER	
20	X53838051	WASHER	
21	025050236	WASHER, PLAIN M 5	
22	048040346	RETAINING RING, E4	
23	025060235	WASHER, PLAIN M 6	
24	XC5884051	WIPER BASE ASSY	

(12) UPPER THREAD GUIDE MECHANISM



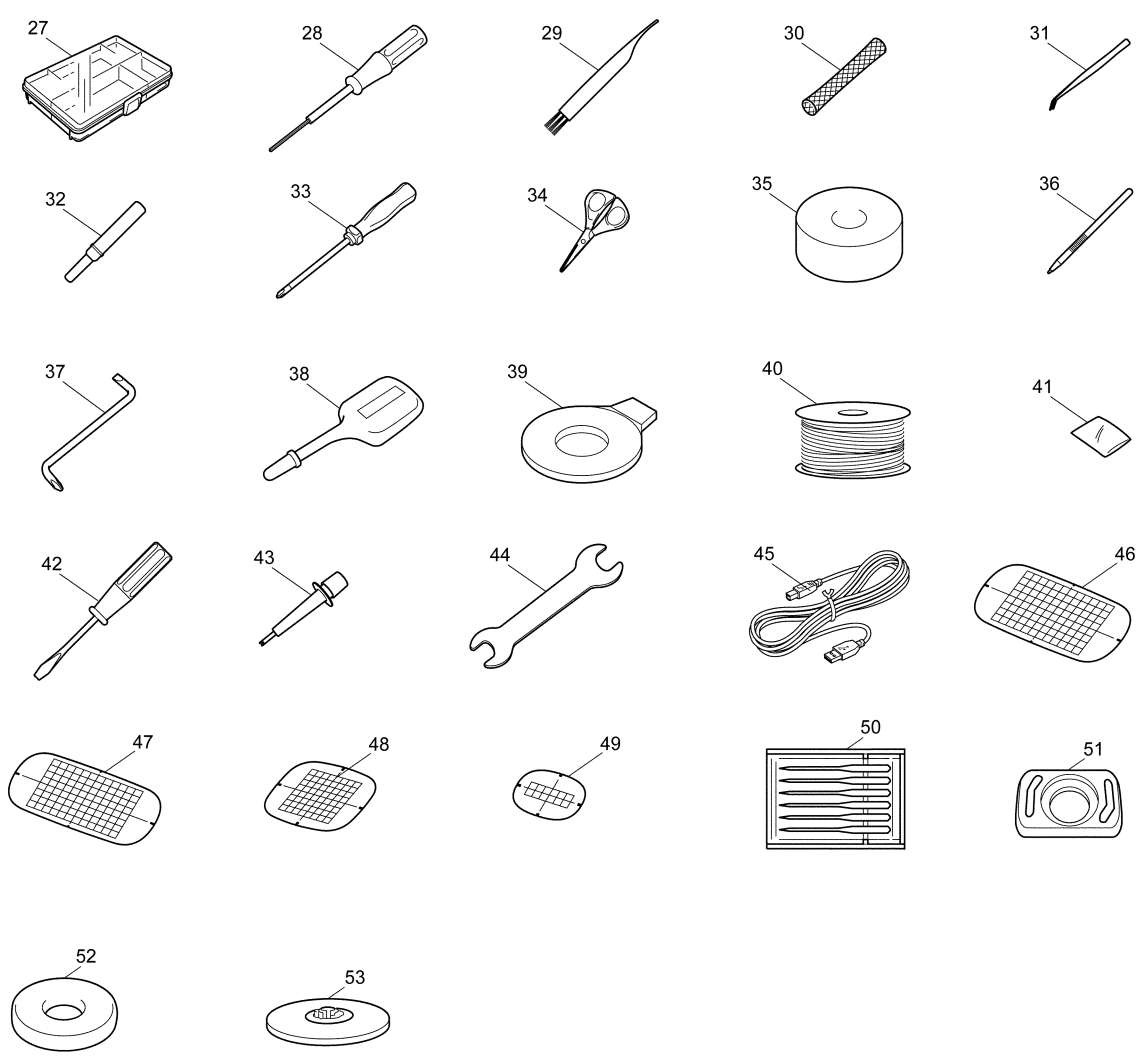
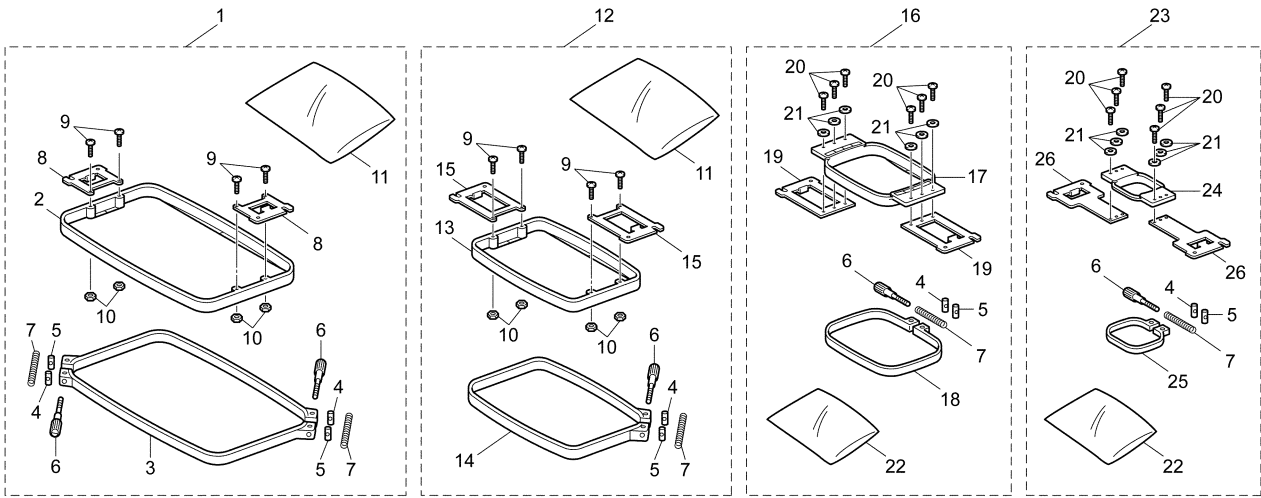
(12) UPPER THREAD GUIDE MECHANISM



(12) UPPER THREAD GUIDE MECHANISM

No.	CODE	NAME	REMARKS	No.	CODE	NAME	REMARKS
1	XC6350252	TENSION BASE	1000020799	46	XC5947051	NEEDLE THREAD PRESSER PLATE	
2	XC5905051	UPPER THREAD EYELET BASE		47	XC5962051	SPRING	
3	XC6231051	THREAD GUIDE COMPRESSION		48	048015346	RETAINING RING, E1.5	
4	XC5909051	THREAD GUIDE TENSION SCREW		49	XC5967052	CUTTER COVER ASSY	1000020799
5	XC5907051	THREAD GUIDE TENSION PLATE		50	XC5972052	CUTTER COVER	1000020799
6	021300205	NUT, 2 M3		51	X80321001	NT LOWER THREAD CUTTER	
7	XC5908151	INNER THREAD EYELET BASE	1000020281	52	138384051	RETAINING RING, CS5	
8	XC5906051	THREAD GUIDE TENSION AXIS		53	0A5300606	SCREW, PAN (S/P WASHER) M3X6	
9	XZ0198051	BOBBIN WINDER COMPRESSION		54	085311016	TAPTITE, BIND B M3X10	
10	136681051	TAPTITE, BIND B M3X8		55	XC5934051	THREAD GUIDE BACK COVER	
11	XC6164051	ASSY: HEAD PCB		56	060260316	SCREW, BIND M2.6X3	
12	138433054	TAPTITE, PAN B M3X6	1000002253	57	0A5401006	SCREW, PAN (S/P WASHE) M4X10	
13	XC5911151	THREAD TENSION BRACKET	1000017611	58	XC5935051	STUD	
14	XC5914151	THREAD QUANTITY SENSOR COVER		59	060400816	SCREW, BIND M4X8	
15	XC6167051	ASSY: TH SENSOR		60	XC5812051	PIPE BUSH A	
16	XC6192051	FFC: SML2CD-H		61	XE8376001	O RING, P5	1000018051
17	XC5880054	RUBBER WASHER	1000020594	62	XC7254051	WASHER	
18	138334054	RETAINING RING, CS2	1000020594	63	XC5938052	SPOOL STAND FRAME	1000020799
19	S36299001	TENSION DISC FELT		64	XC5939051	SPOOL STAND STUD	
20	XC7602000	ROTARY DISC ASSY B		65	XC5943051	STUD SCREW	
21	XC5915052	TENSION DISC PRESSER	1000020799	66	XC5945051	SPRING WASHER	
22	XC6232051	TENSION SPRING		67	XC5946051	SPOOL STAND LINK	
23	S30564000	WASHER		68	XA9677051	WASHER	
24	XC5916052	TENSION NUT	1000020799	69	048080346	RETAINING RING, E8	
25	XC6199051	LEAD WIRE ASSY: HEAD EARTH		70	XC5936051	SPOOL STAND BASE	
26	XC5917151	TENSION BASE BRACKET	1000013804	71	XC5948051	SPACER	
27	XC5883051	COLOR SHEET R		72	XC5553051	THUMB BOLT M4 L	
28	XC5895051	COLOR SHEET L		73	XC5949051	SPOOL PIN	
29	XC6202051	BRACKET COVER		74	XC5950051	SPONGE	
30	085410816	TAPTITE, BIND B M4X8		75	XC5830051	ANTENNA E	
31	085411416	TAPTITE, BIND B M4X14		76	XC5812051	PIPE BUSH A	
32	XC7564051	SCREW, PAN (S/P WASHER) M3X6	1000017643	77	XE8376001	O RING, P5	
33	XC5919051	TENSION AXIS CAP		78	048050346	RETAINING RING, E5	
34	XC5920257	THREAD TAKE-UP LEVER COVER	1000020799	79	XC6238051	ANTENNA SHAFT	
35	XC6001052	THREAD GUIDE COVER	1000020799	80	XC6237051	ANTENNA D	
36	XC5921151	THREAD TAKE-UP BRACKET ASSY	1000020328	81	XC5951051	ANTENNA C ASSY	
37	XC5925051	SPRING TAPE		82	060400616	SCREW, BIND M4X6	
38	XC6463051	THREAD CATCHING SPRING CASE		83	XC6236051	ANTENNA B	
39	XC5926051	THREAD TAKE-UP SPRING		84	XC6235051	ANTENNA A	
40	0A4300606	SCREW, PAN (S/P WASHER) M3X6		85	060300616	SCREW, BIND M3X6	
41	XC5929051	THREAD GUIDE WIRE		86	XF1063001	TH SENSOR SUPPLY ASSY	1000026511
42	XC6234051	THREAD GUARD		87	X59629051	TAPTITE, BIND B M3X10	1000002253
43	XC5930051	THREAD TENSION BRACKET BASE		88	XE8971001	I THREAD EYELET BASE PLATE	1000020281
44	060300416	SCREW, BIND M3X4		89	XE8022001	THREAD QUANTITY SENSOR PRESSER	1000020594
45	XE3394001	THREAD HOLDER BASE ASSY	1000006015				

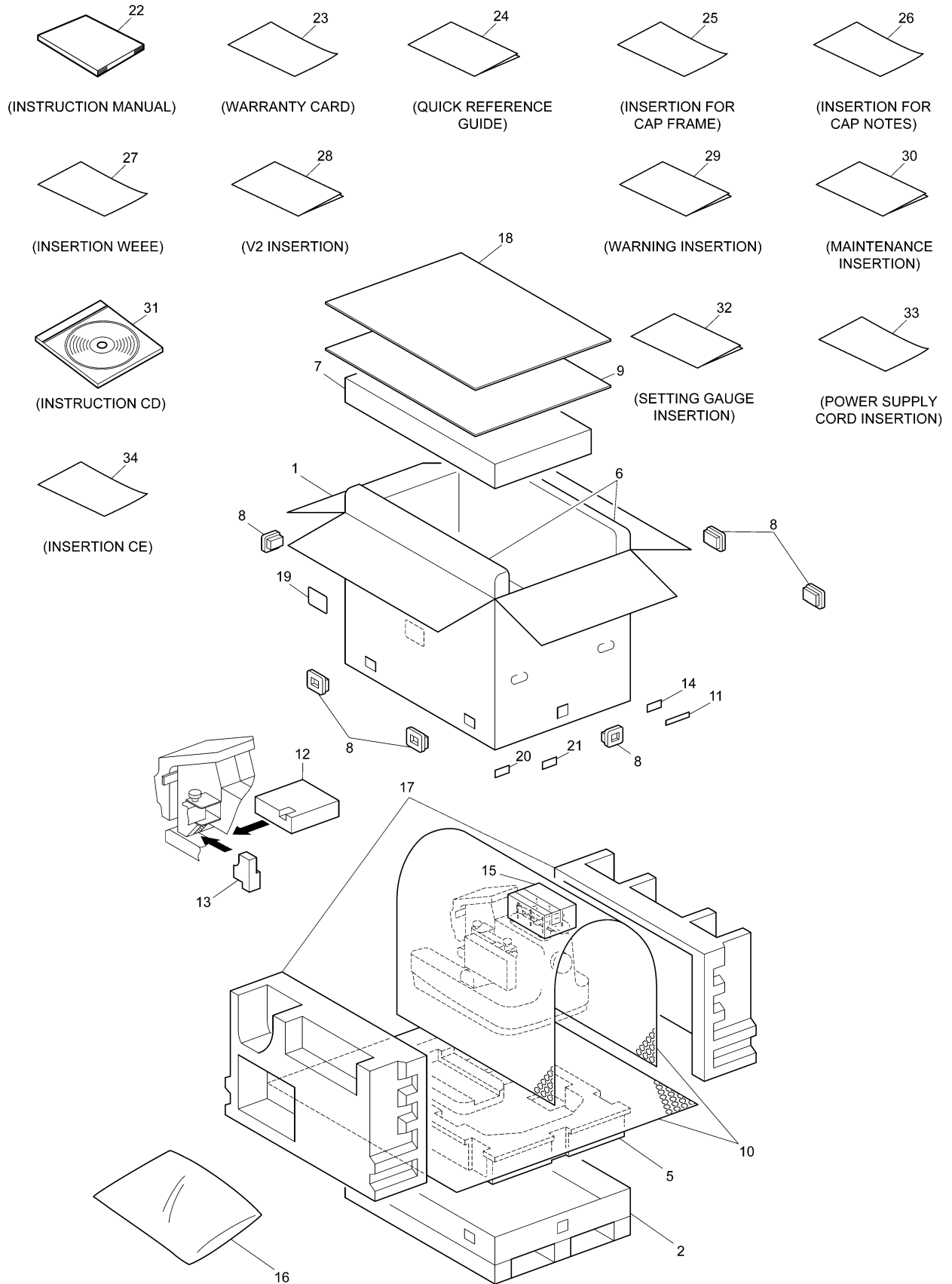
(13) ATTACHMENTS



(13) ATTACHMENTS

No.	CODE	NAME	REMARKS	No.	CODE	NAME	REMARKS
1	XC5954051	TUBULAR FRAME 30X20 ASSY		43	XE8362001	NEEDLE EXCHANGE TOOL	1000017855
	XE2088001	SQUARE FRAME 30X20 ASSY	ADD	44	XC6159051	WRENCH 13X10	
2	XC5955051	TUBULAR FRAME 30X20 INNER		45	XD1851051	USB I/F CORE CABLE 3M	
3	XC5956151	TUBULAR FRAME 30X20 OUTER	1000001855	46	XC5704051	EMBROIDERY SHEET 30X20 ASSY	
4	S32798001	COLLAR		47	XC5721051	EMBROIDERY SHEET 18X13 ASSY	
5	S32799001	NUT, M4		48	XC5759051	EMBROIDERY SHEET 10X10 ASSY	
6	XC5957051	SCREW, M4		49	XC5761051	EMBROIDERY SHEET 06X04 ASSY	
7	S36043000	SPRING, COMPRESSION 5.3X47.7		50	XC6469001	NEEDLE ASSEMBLY	
8	XC5958051	HOLDER 30X20		51	XC6499151	NEEDLE PLATE COVER	
	XE2090001	HOLDER 30X20	ADD	52	XC7134051	SPOOL FELT	
9	062401416	SCREW, PAN M4X14		53	130012054	SPOOL PRESSER A	
10	021400206	NUT, 2 M4					
11	X60224051	BAG 350X700H	1000013225		XA8580051	BAG, 80X110	060203
12	XC5959051	TUBULAR FRAME 18X13 ASSY			XC2222051	BAG 180X300	1000005080
13	XC5960051	TUBULAR FRAME 18X13 INNER			130800021	BAG 230X310H	1000011228
14	XC5961051	TUBULAR FRAME 18X13 OUTER					
15	XC5963051	HOLDER 18X13					
16	XC5964051	TUBULAR FRAME 10X10 ASSY					
17	XC5965051	TUBULAR FRAME 10X10 INNER					
18	XC5966051	TUBULAR FRAME 10X10 OUTER					
19	XC5968051	HOLDER 10X10					
20	060300516	SCREW, BIND M3X5					
21	025030236	WASHER, PLAIN M 3					
22	XZ0197051	PE BAG, 180X470H					
23	XC5969051	TUBULAR FRAME 06X04 ASSY					
24	XC5970051	TUBULAR FRAME 06X04 INNER					
25	XC5971051	TUBULAR FRAME 06X04 OUTER					
26	XC5973051	HOLDER 06X04					
27	XC6482051	ACCESSORY CASE					
28	XC5159051	HEXAGONAL DRIVER, 1.5					
29	X59476051	CLEANING BRUSH					
30	S34455000	NET, 160L					
31	XC6542051	PINCETTE					
32	X54243051	SEAM RIPPER					
33	XC6543051	SCREW DRIVER, 2X100					
34	XC1807121	SCISSORS					
35	XC5974151	BOBBIN TENSION GAUGE					
36	XA9940051	TOUCH PEN					
37	XC6545051	Z-TYPE SCREW-DRIVER, +-					
38	XZ0206051	OILER B ASSY					
39	XC1074051	DISC-SHAPED SCREWDRIVER	1000011717				
40	XC6368051	BOBBIN					
41	X60838051	BAG, 70X110C					
42	X55468051	SCREW DRIVER S					

(14) PACKING MATERIALS / PRINTED MATTER



(14) PACKING MATERIALS / PRINTED MATTER

No.	CODE	NAME	REMARKS	No.	CODE	NAME	REMARKS
PACKING MATERIALS							
1	XD0688054	CARTON TOP (PR600II: OTHER)	100001774	23	XC6555051	WARRANTY CARD (U.S.A.)	
	XE1347001	CARTON TOP GOST ASSY (PR600II: EU)	060128		XD0755051	WARRANTY CARD (CANADA)	
	XE1346001	CARTON TOP CE ASSY (PR600II: RUS)	060128		UH3851004	WARRANTY CARD EUR	1000017862
	XD0688055	CARTON TOP (PR620: OTHER)	ADD		LW3135004	CEE WARRANTY CARD (EEU)	1000016851
	XD0688057	CARTON TOP (PR620: RUS)	ADD		XE4547001	WARRANTY CARD BR HEM (BRA)	1000007560
2	XE7470001	CARTON BOTTOM ASSY	1000015425		XE5652001	WARRANTY CARD BROTHER ARG (ARG)	1000011223
3	XC5554150	POLYSTYRENE FOAM PAD R	1000010093	24	XD0754051	PR-600 QUICK REFERENCE GUIDE (PR600II)	
4	XC5552250	POLYSTYRENE FOAM PAD L	1000010093		XE2728001	PR620 QUICK REFERENCE GUIDE (PR620)	ADD
5	XC5797250	POLYSTYRENE FOAM PAD BOTTOM	1000020076		XE2295001	PR620 QUICK REFERENCE GUIDE.CH (PR620)	1000006228
6	XC5825050	POLYSTYRENE FOAM PAD SIDE			XE5020001	QUICK REFERENCE GUIDE BG (EEU)	1000008620
7	XC6452050	POLYSTYRENE FOAM PAD TOP		25	XC7251051	INSERTION FOR CAP FRAME	
8	XC5848051	JOINT		26	XC7670051	INSERTION FOR CAP NOTES	
9	XC5867050	PAD D		27	XD0256151	INSERTION WEEE	1000002031
10	XC6459051	SHEET, 1400X2000		28	XE1348001	V2 INSERTION (PR600II)	060153
11	S52584001	MERCURY WARNING LABEL 16X92 C2 (U.S.A.)			XE2260001	V2 INSERTION (PR620)	1000008124
12	XC6585250	POLYSTYRENE FOAM PAD FOOT	1000026905		XE2747001	V2 INSERTION.CHINA	1000011087
13	XC7140050	HOOK SUPPORT SF		29	XE2748001	WARNING INSERTION.ENGLISH (PR620)	1000008124
14	X57847051	PLUG LABEL (U.K.)			XE2749001	WARNING INSERTION.GERMANY (PR620)	ADD
15	XC7154050	ANTENNA PROTECT PAD			XE2752001	WARNING INSERTION.ITALY (PR620)	ADD
16	X60224051	BAG 350X700H	1000013225		XE2753001	WARNING INSERTION.SPANISH (PR620)	ADD
17	XE5680001	POLYSTYRENE FOAM SUPPLY ASSY	1000010093		XE2750001	WARNING INSERTION.FRANCE (PR620)	ADD
18	XC5932050	CARTON PAD D			XE2751001	WARNING INSERTION.NETHERLANDS (PR620)	ADD
19	XC6557051	C STICKER (PR600IIC, PR620C)			XE2754001	WARNING INSERTION.RUS (PR620)	ADD
20	XD0229051	EEU SPEC DESCRIPTION STICKER		30	XE2089001	MAINTENANCE INSERTION (EXCEPT NEU)	1000004930
21	XD0187051	EEU STICKER			XE2297001	MAINTENANCE INSERTION. EUR (NEU)	1000005095
PRINTED MATTER					XE2746001	MAINTENANCE INSERTION.CHINA (PR620)	1000006228
22	XD1133051	INSTRUCTION MANUAL.ENGLISH (PR600II)		31	XE3541001	INSERTION CD (NEU)	1000004842
	XE2710001	INSTRUCTION MANUAL.ENGLISH (PR620)	ADD		XE5013001	INSTRUCTION CD BG (EEU)	1000008620
	XD1134051	INSTRUCTION MANUAL.GERMANY (PR600II)		32	XE2272001	SETTING GAUGE INSERTION	1000011087
	XE2711001	INSTRUCTION MANUAL.GERMANY (PR620)	ADD	33	XE7716001	POWER SUPPLY CORD INSERTION	1000017142
	XD1137051	INSTRUCTION MANUAL.ITALY (PR600II)		34	XE8862201	INSERTION CE (SGP, AUS)	1000021104
	XE2714001	INSTRUCTION MANUAL.ITALY (PR620)	ADD				
	XD1143051	INSTRUCTION MANUAL.SPANISH (PR600II)					
	XE2716001	INSTRUCTION MANUAL.SPANISH (PR620)	ADD				
	XD1135051	INSTRUCTION MANUAL.FRANCE (PR600II)					
	XE2712001	INSTRUCTION MANUAL.FRANCE (PR620)	ADD				
	XD1136051	INSTRUCTION MANUAL.NETHERLANDS (PR600II)					
	XE2713001	INSTRUCTION MANUAL.NETHERLANDS (PR620)	ADD				
	XE2200001	INSTRUCTION BOOK RUS (PR600II)	1000001307				
	XE2717001	INSTRUCTION MANUAL.RUS (PR620)	ADD				
	XE2296001	INSTRUCTION MANUAL.CHINA (PR620)	1000006228				
	XE4531001	INSTRUCTION BOOK BR (BRA)	1000007560				

brother®

PR600II/PR600IIC/PR620/PR620C
01A06HF884T03