



**Home Sewing Machine
PARTS REFERENCE LIST**

OPTIONAL ACCESSORIES

PR-1000

PR-650/PR-650C

PR-620/PR620C

PR-600II/PR-600IIC

PR-600/PR-600C

CONFIDENTIAL

Copyright © 2010 Brother Industries, Ltd.
All rights reserved.

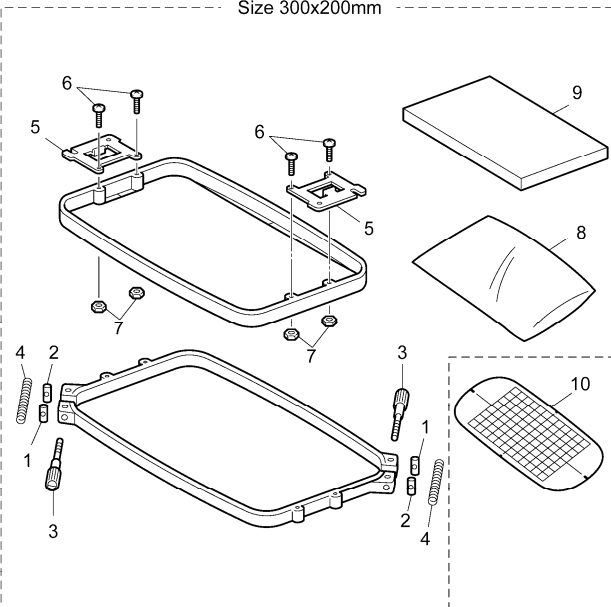
Published: Jul.,2010
Revised: Dec.,2011

CONTENTS

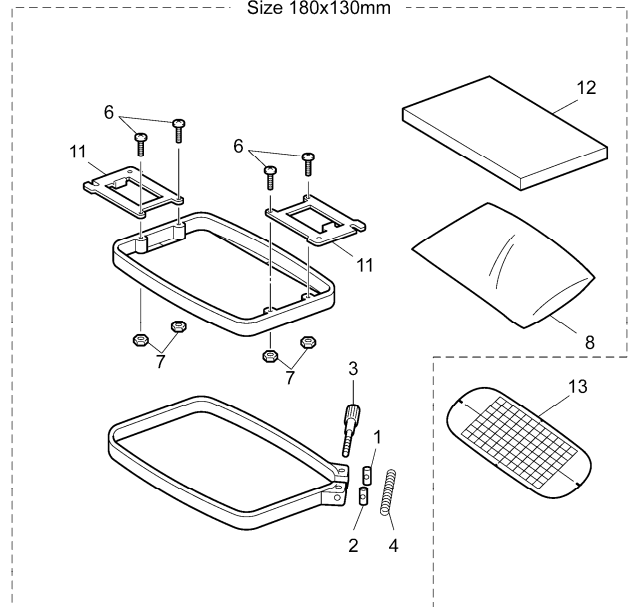
EMBROIDERY FRAMES (SQUARE)	2
EMBROIDERY FRAMES (SQUARE) for PR-1000	4
EMBROIDERY FRAMES (ROUND) for PR-1000	6
CAP FRAMES.....	8
CAP FRAMES for PR-1000/650/620.....	10
CAP FRAMES for PR-1000.....	12
CYLINDER FRAMES for PR-1000/650/620.....	14
BORDER FRAMES for PR-1000.....	16
BOBBIN WINDER SET.....	18
OTHERS	20

EMBROIDERY FRAMES (SQUARE)

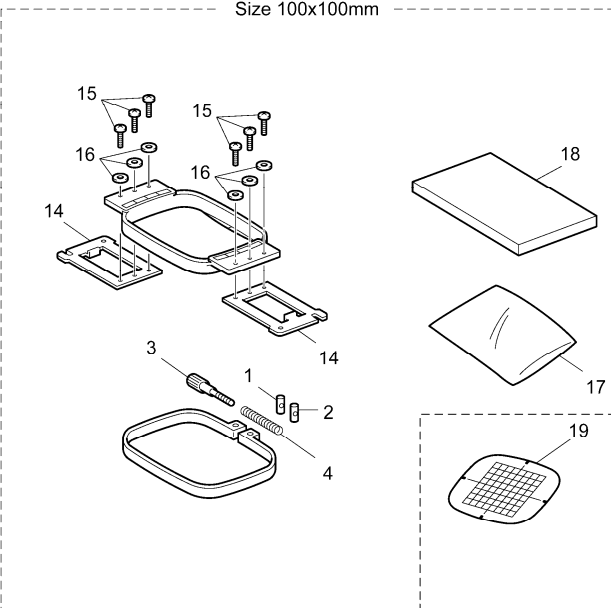
Size 300x200mm



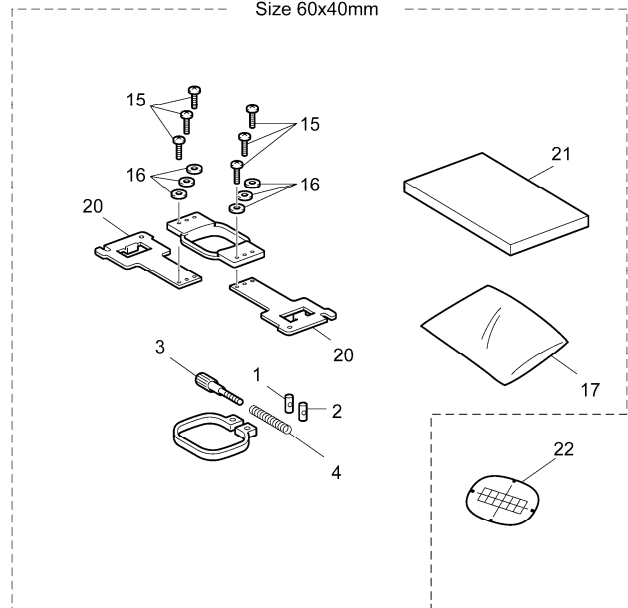
Size 180x130mm



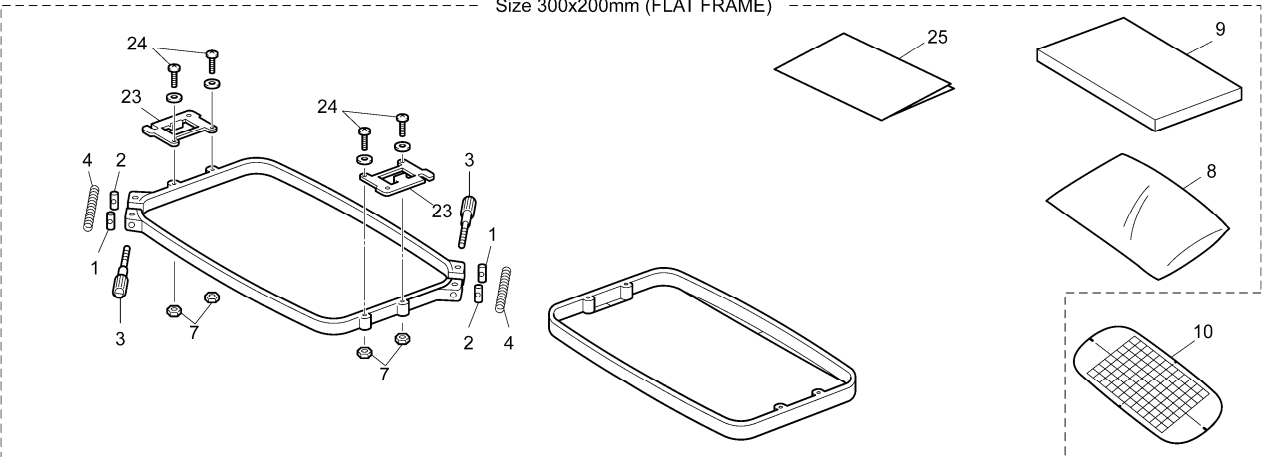
Size 100x100mm



Size 60x40mm

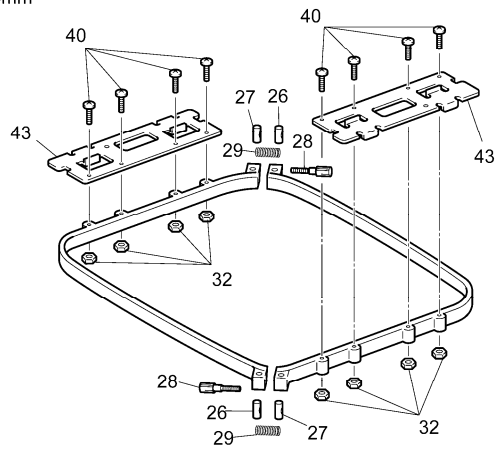
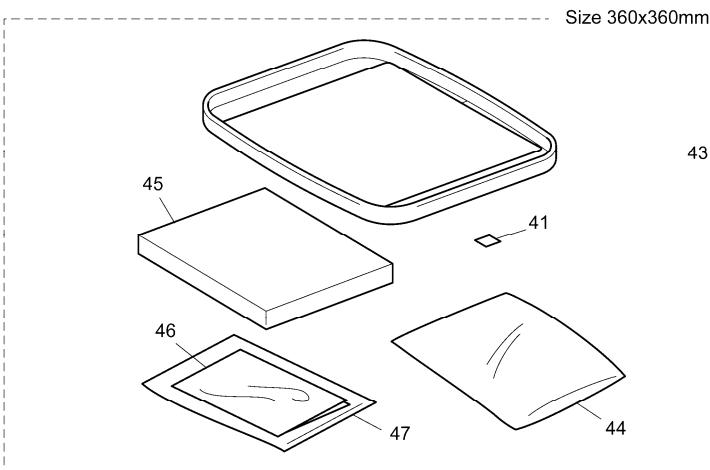
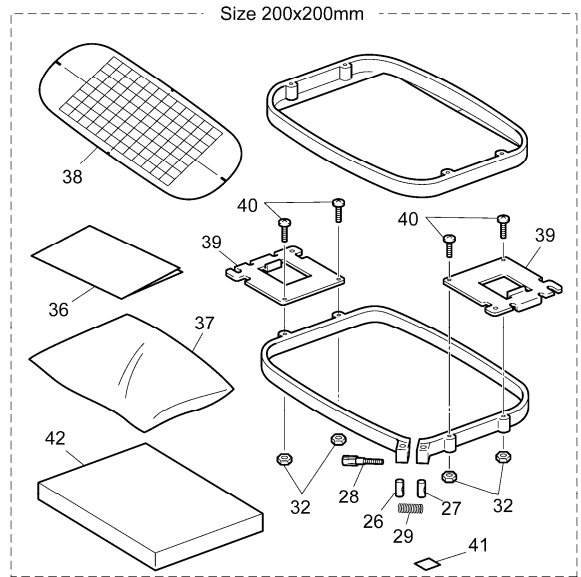
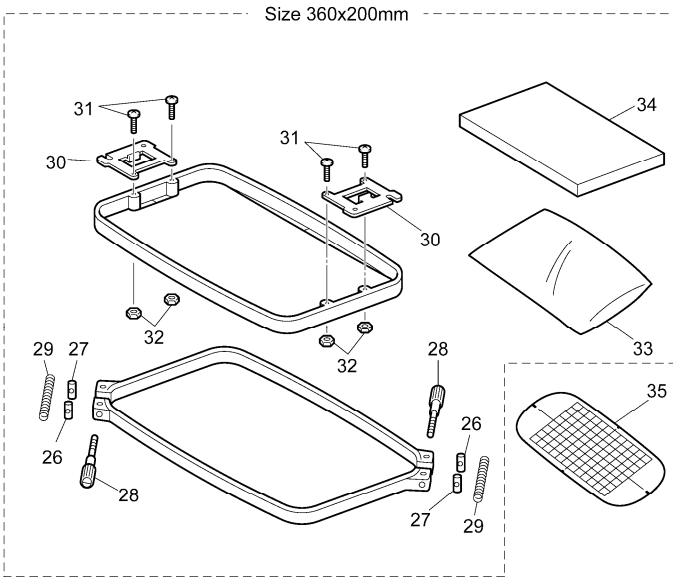


Size 300x200mm (FLAT FRAME)



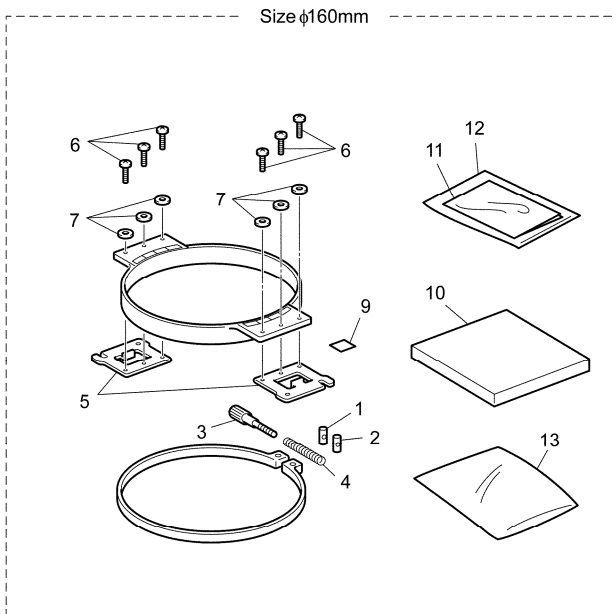
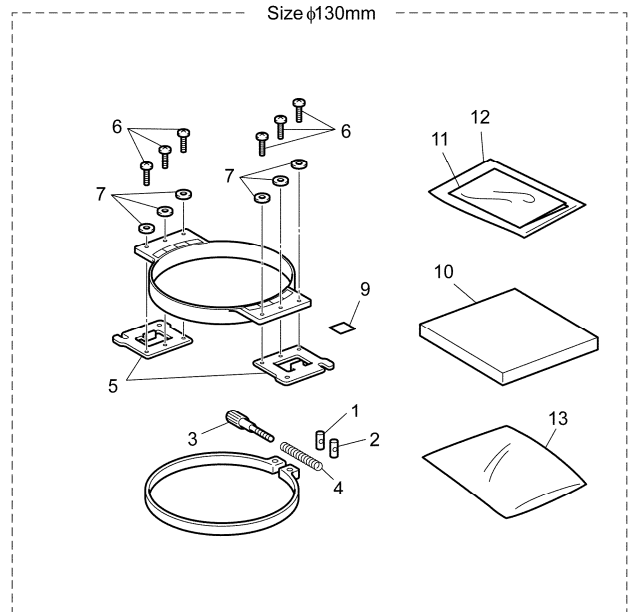
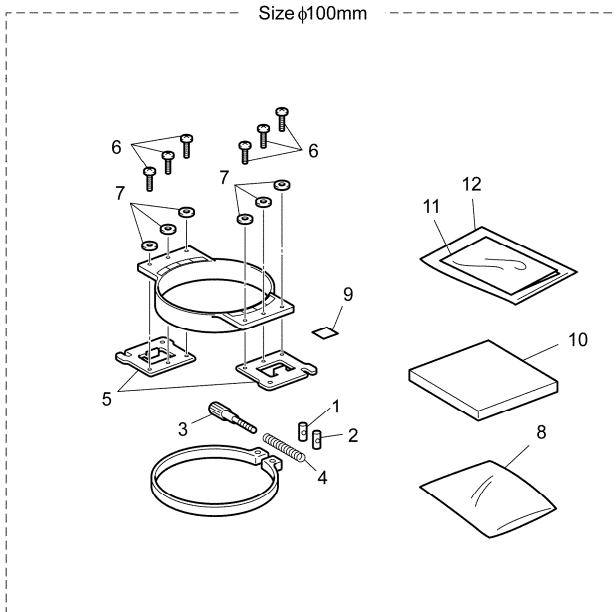
EMBROIDERY FRAMES (SQUARE)

*For PR-1000



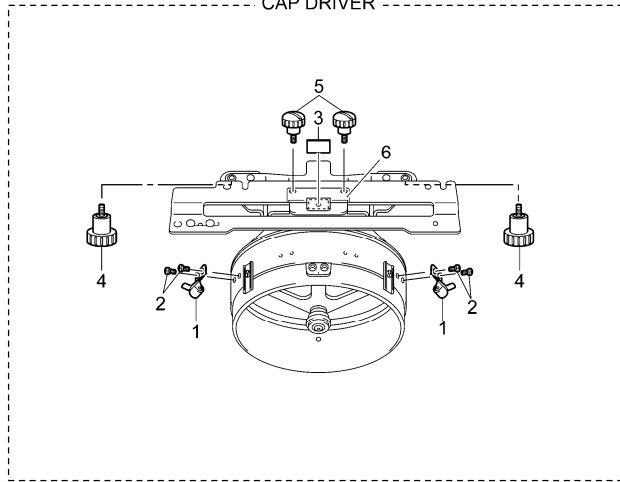
EMBROIDERY FRAMES (ROUND)

*For PR-1000

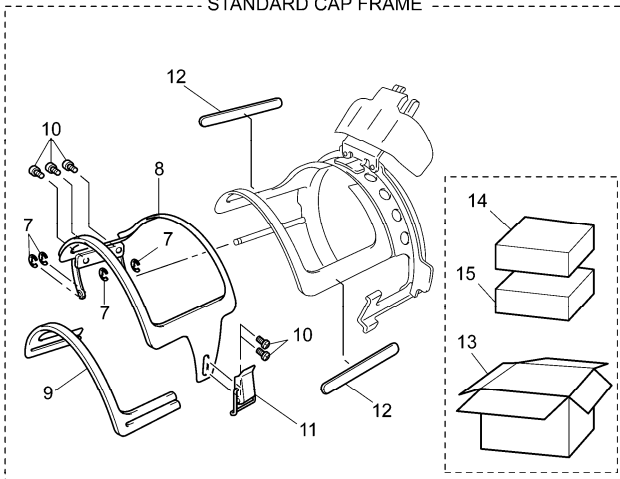


CAP FRAMES

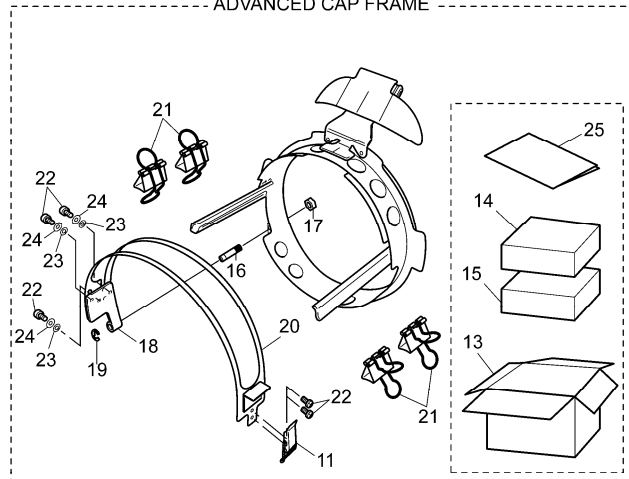
CAP DRIVER



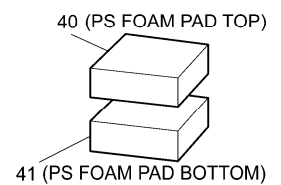
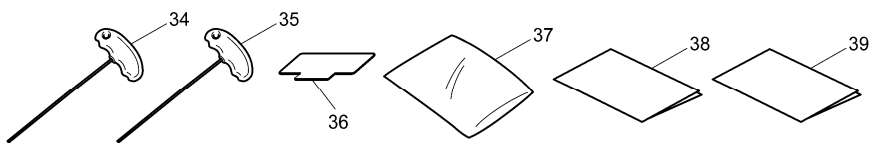
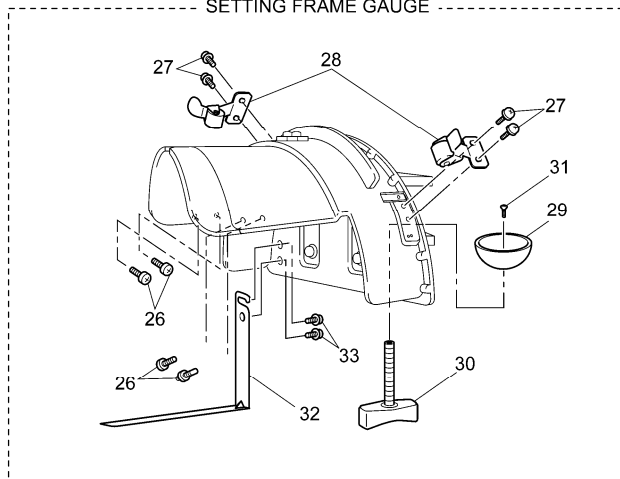
STANDARD CAP FRAME



ADVANCED CAP FRAME

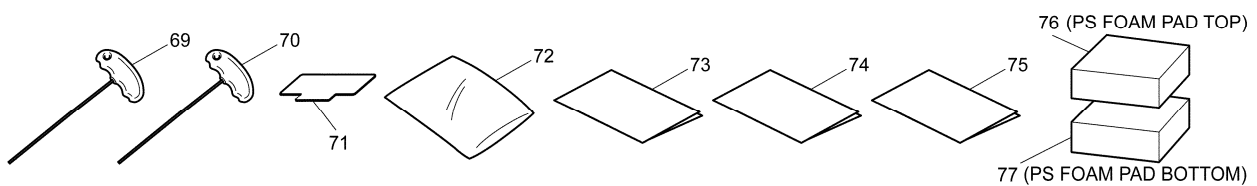
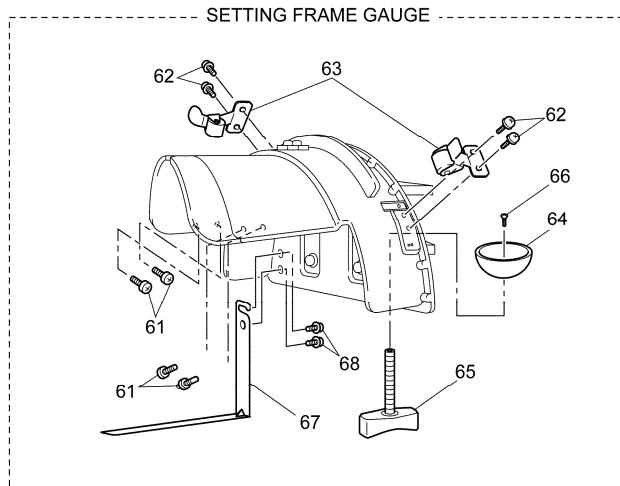
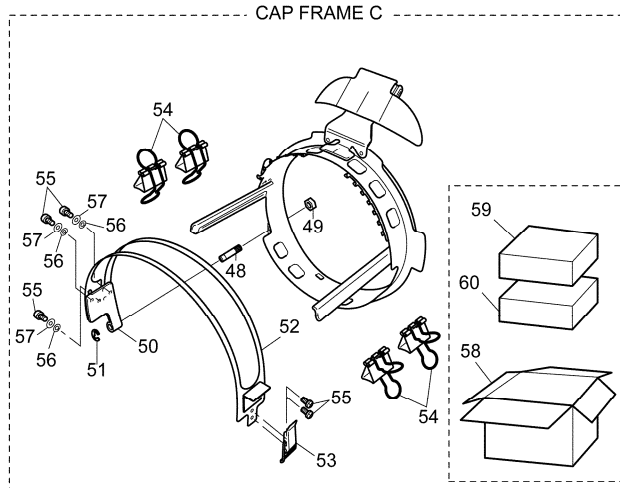
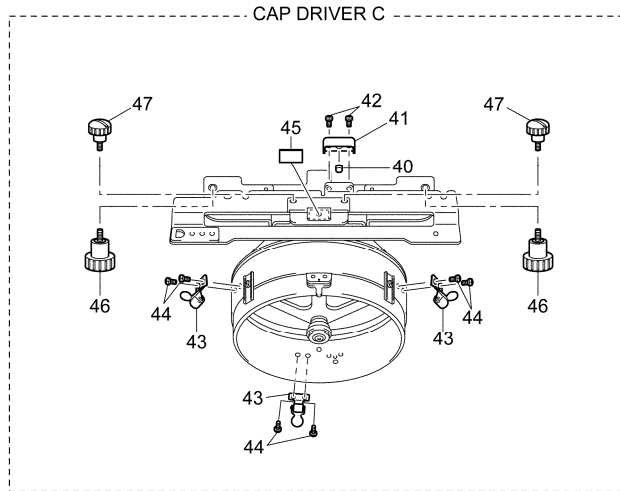


SETTING FRAME GAUGE



CAP FRAMES

*For PR-1000/PR-650/PR-620



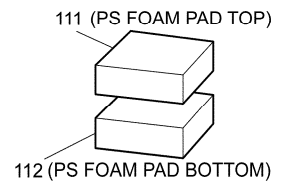
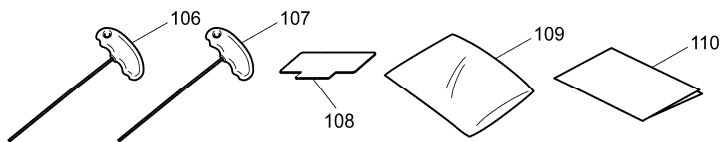
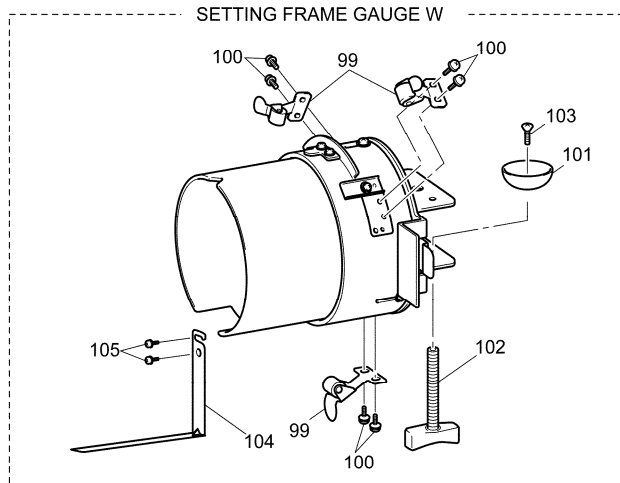
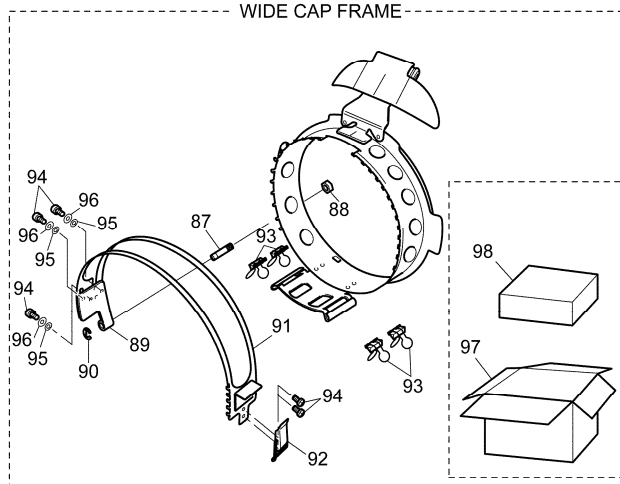
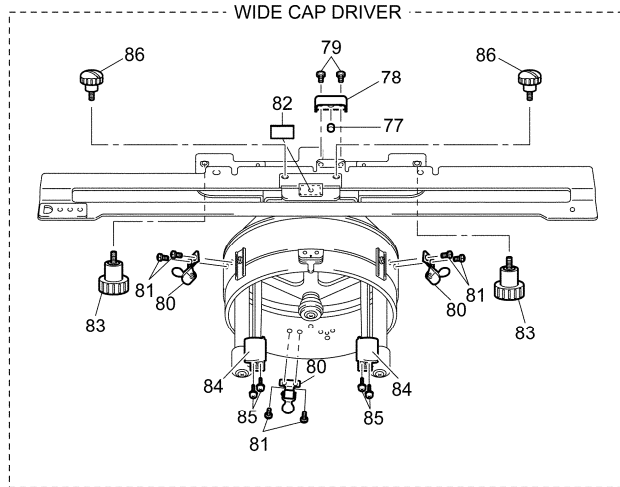
CAP FRAMES

*For PR-1000/PR-650/PR-620

No.	CODE	NAME	REMARKS
CAP DRIVER C			
40	XE2270001	MAGNET	
41	XE2271001	MAGNET HOLDER	
42	060300613	SCREW BIND M3X6	
43	XC7235051	ROLLER BASE B ASSY	1000022560
44	0A5300606	SCREW, PAN (S/P WASHER) M3X6	
45	XC5550051	SHEET	
46	XC5553051	THUMB BOLT M4 L	
47	XC5817051	SCREW, KNOB M4S	
CAP FRAME C			
48	XC7485051	PIN	
49	021400203	NUT, 2 M4	
50	XC7484051	HINGE	
51	048050343	RETAINING RING, E5	
52	XC7486051	FRAME COVER B	
53	S32897000	SNAP LOCK	
54	S39460100	BINDER CLIP	
55	060300513	SCREW, BIND M3X5	
56	026030233	WASHER, PLAIN M 3	
57	028030243	WASHER, SPRING 2-3	
58	XC7163151	CARTON	
59	XC7164051	POLYSTYRENE FOAM PAD TOP	
60	XC7165151	POLYSTYRENE FOAM PAD DOWN	
SETTING FRAME GAUGE			
61	0A5400606	SCREW, PAN (S/P WASHER) M4X6	
62	0A5300806	SCREW, PAN (S/P WASHER) M3X8	
63	XC7235051	ROLLER BASE B ASSY	
64	XC5576051	WASHER	
65	XC5577051	THUMB BOLT M6	
66	004261214	SCREW, FLAT (M2.6) X12	
67	XC6227051	FRAME COVER STOPPER	
68	062400613	SCREW, PAN M4X6	
69	XC7148051	T-TYPE HEXAGONAL WRENCH, 3	
70	XC7149051	T-TYPE HEXAGONAL WRENCH, 2.5	
71	XC7150051	SHEET	
72	130800051	BAG 230X310H	
73	XE2893001	INSERTION SHEET	
74	XE2272001	SETTING GAUGE INSERTION	
75	XC8943151	CAP FRAME USER'S GUIDE,ENG	
	XC8944051	CAP FRAME USER'S GUIDE,GER	
	XE2894101	CAP FRAME USER'S GUIDE GER4 (German, Italian, Dutch, Russian)	
76	XC7146150	POLYSTYRENE FOAM PAD TOP	
77	XC7147250	POLYSTYRENE FOAM PAD DOWN	

CAP FRAMES

*For PR-1000



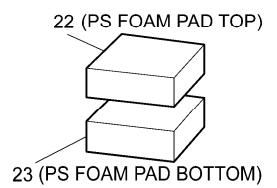
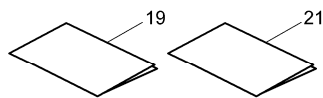
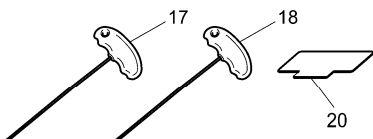
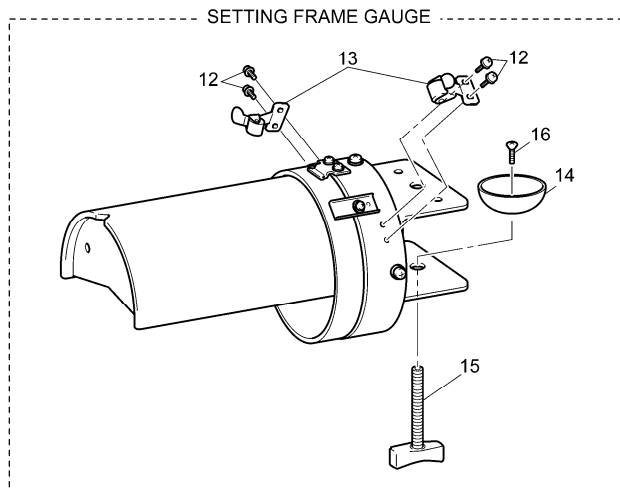
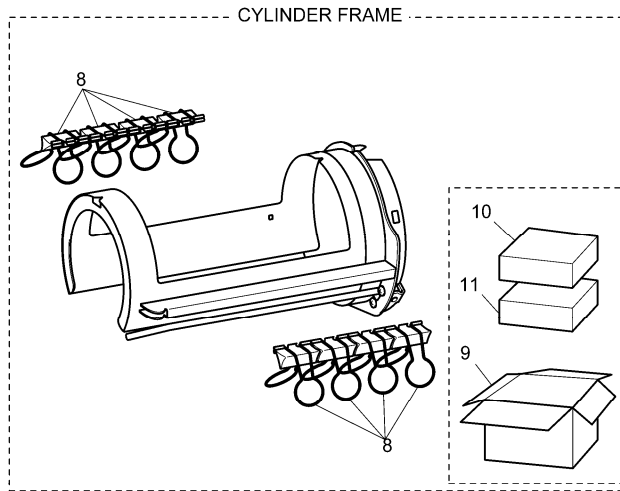
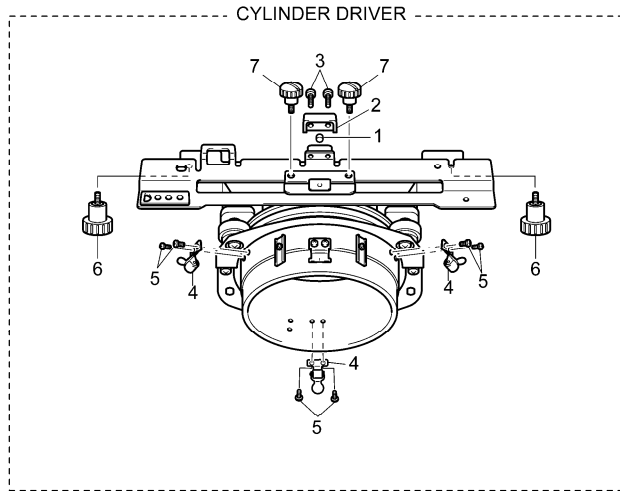
CAP FRAMES

*For PR-1000

No.	CODE	NAME	REMARKS
WIDE CAP DRIVER			
77	XE2270001	MAGNET	
78	XE2271001	MAGNET HOLDER	
79	060300613	SCREW BIND M3X6	
80	XC7235051	ROLLER BASE B ASSY	
81	0A5300606	SCREW PAN (S/P WASHER) M3X6	
82	XC5550051	SHEET	
83	XC5553051	THUMB BOLT M4 L	
84	XE7343001	CAP SUPPORT	
85	0A5400806	SCREW PAN (S/P WASHER) M4X8	
86	XC5817051	SCREW, KNOB M4S	
WIDE CAP FRAME			
87	XC7485051	PIN	
88	021400203	NUT, 2 M4	
89	XE7352001	HINGE	
90	048050343	RETAINING RING E5	
91	S55837000	COVER FRAME	
92	S32897000	SNAP LOCK	
93	S39460100	BINDER CLIP	
94	060300513	SCREW BIND M3X5	
95	XE7422001	WASHER PLAIN M 3	
96	028030243	WASHER, SPRING 2-3	
97	XE7428001	CARTON	
98	XE7427001	PAD	
SETTING FRAME GAUGE W			
99	XC7235051	ROLLER BASE B ASSY	
100	0A5300806	SCREW PAN (S/P WASHER) M3X8	
101	XC5576051	WASHER	
102	XC5577051	THUMB BOLT M6	
103	004261214	SCREW FLAT M2.6X12	
104	XC6227051	FRAME COVER STOPPER	
105	062400613	SCREW PAN M4X6	
106	XC7148051	T-TYPE HEXAGONAL WRENCH, 3	
107	XC7149051	T-TYPE HEXAGONAL WRENCH, 2.5	
108	XC7150051	SHEET	
109	130800051	BAG 230X310H	
110	XE8479001	W CAP FRAME INSERTION	
111	XE7411001	POLYSTYRENE FOAM PAD TOP	
112	XE7412001	POLYSTYRENE FOAM PAD BOTTOM	

CYLINDER FRAMES

*For PR-1000/PR-650/PR-620



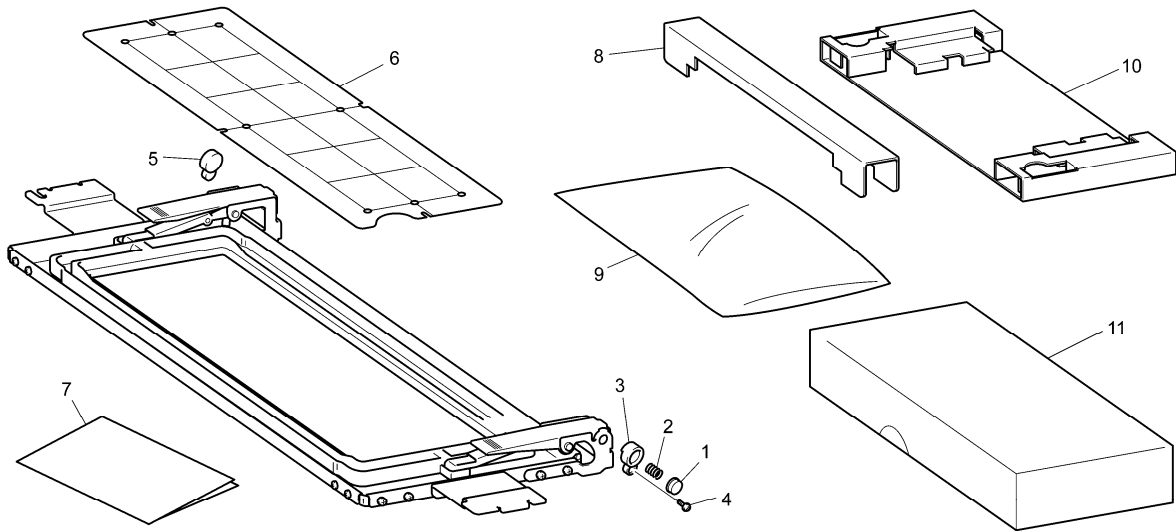
CYLINDER FRAMES

*For PR-1000/PR-650/PR-620

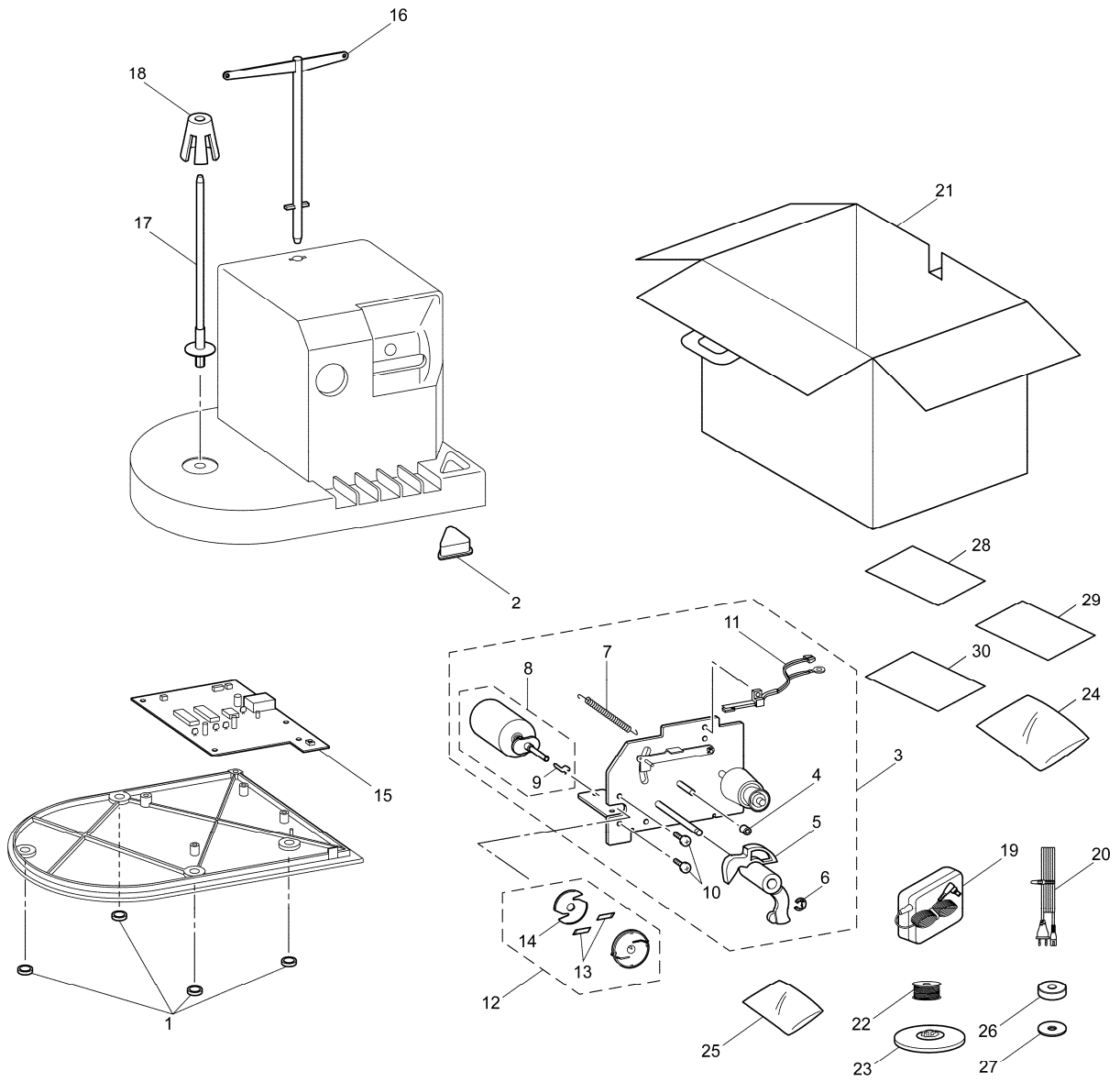
No.	CODE	NAME	REMARKS
CYLINDER DRIVER			
1	XE2270001	MAGNET	
2	XE2271001	MAGNET HOLDER	
3	060300613	SCREW BIND M3X6	
4	XC7235051	ROLLER BASE B ASSY	1000022560
5	060300413	SCREW BIND M3X4	
6	XC5553051	THUMB BOLT M4 L	
7	XC5817051	SCREW, KNOB M4S	
CYLINDER FRAME			
8	S39460100	BINDER CLIP	
9	XC7163153	CARTON	
10	XE2314001	POLYSTYRENE FOAM PAD TOP	
11	XE2315001	POLYSTYRENE FOAM PAD DOWN	
SETTING FRAME GAUGE			
12	0A5300606	SCREW, PAN (S/P WASHER) M3X6	
13	XC7235051	ROLLER BASE B ASSY	1000022560
14	XC5576051	WASHER	
15	XC5577051	THUMB BOLT M6	
16	004261214	SCREW, FLAT (M2.6) X12	
17	XC7148051	T-TYPE HEXAGONAL WRENCH, 3	
18	XC7149051	T-TYPE HEXAGONAL WRENCH, 2.5	
19	XE2316001	CYLINDER FRAME USER'S GUIDE	
20	XC7150051	SHEET	
21	XE2272001	SETTING GAUGE INSERTION	
22	XE2282001	POLYSTYRENE FOAM PAD TOP	
23	XE2283001	POLYSTYRENE FOAM PAD DOWN	

BORDER FRAMES

*For PR-1000



BOBBIN WINDER SET

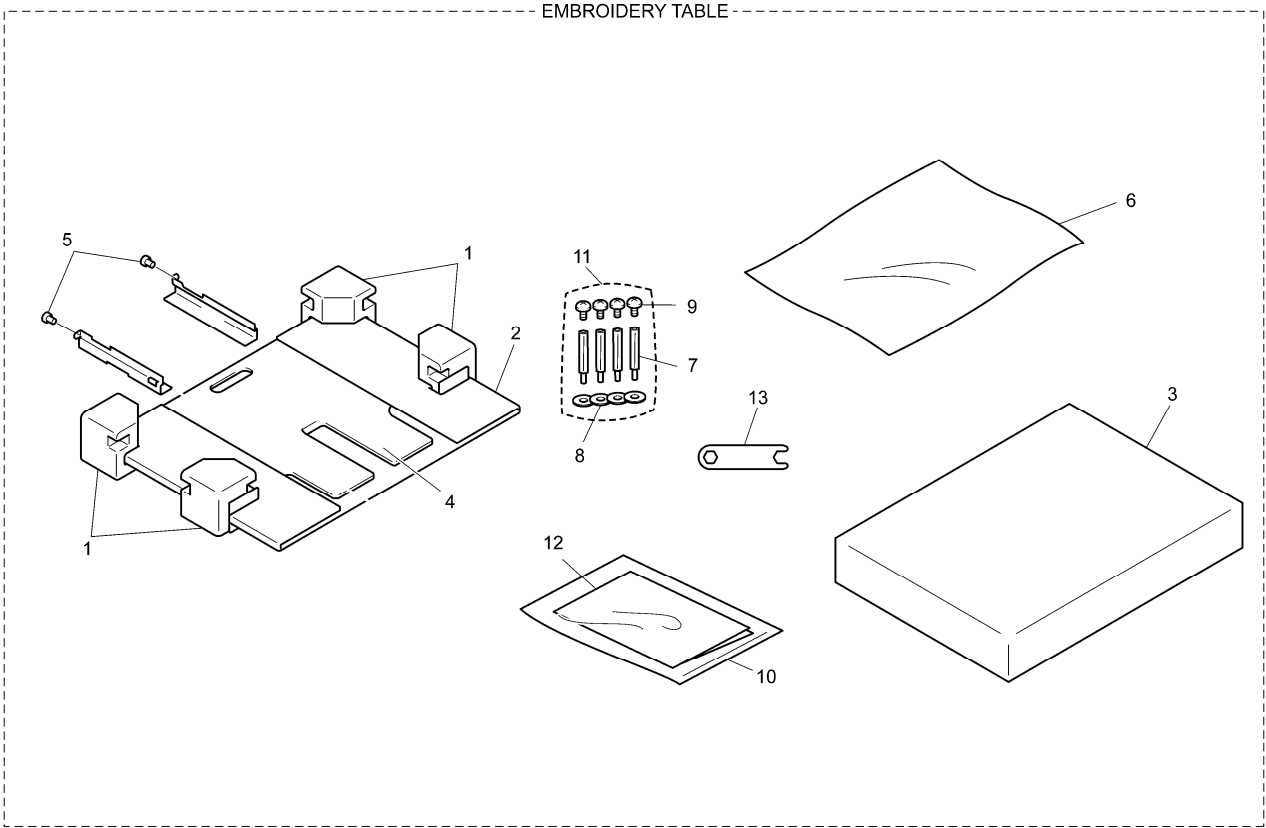


BOBBIN WINDER SET

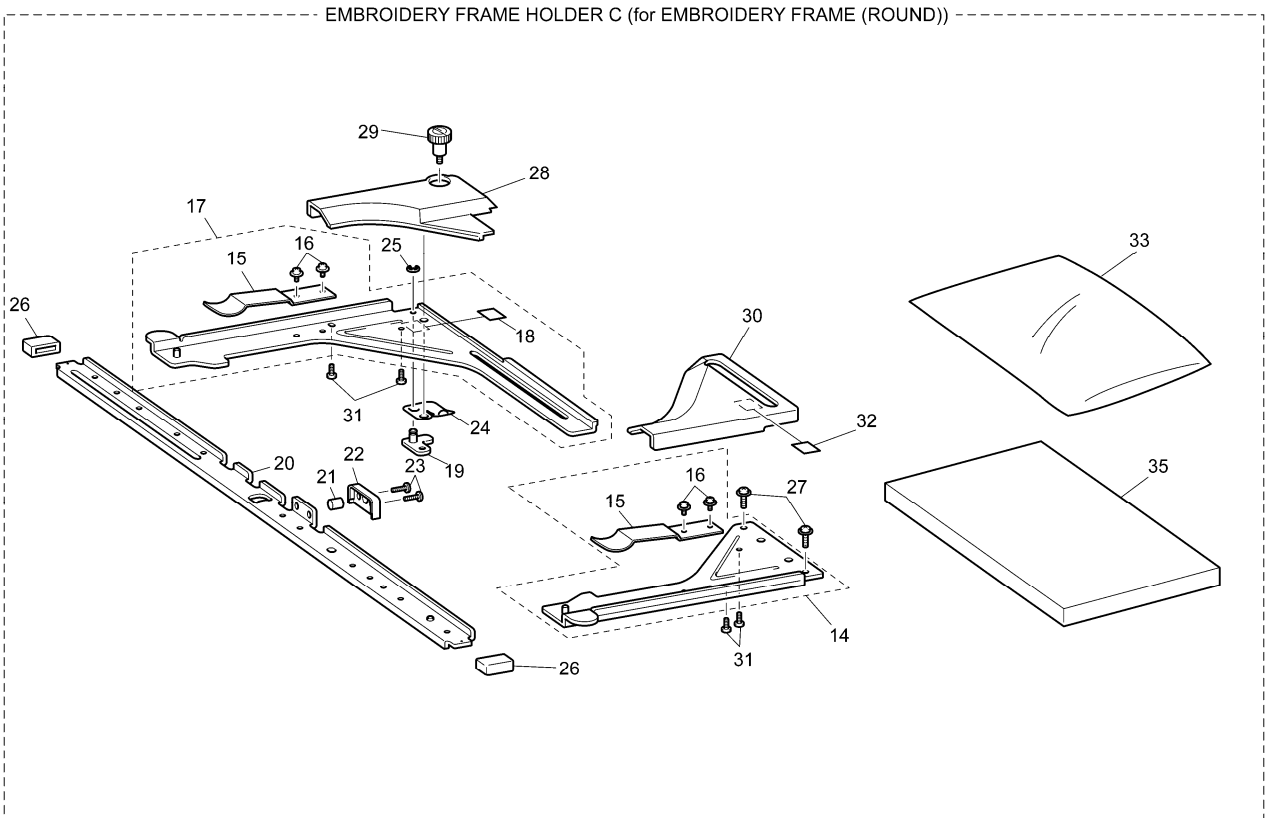
No.	CODE	NAME	REMARKS
BOBBIN WINDER SET			
1	X59853050	RUBBER CUSHION	
2	XC6602051	BOBBIN WINDER SS BUTTON	
3	XC6611151	BOBBIN WINDER HOLDER UNIT	
4	XC6607051	RUBBER	
5	XC6608051	THREAD GUIDE LEVER	
6	048040346	RETAINING RING, E4	
7	XA9545051	SPRING	
8	XC6633051	BOBBIN WINDER MOTOR COMPLETE	
9	XC6628051	BOBBIN WINDER SHAFT SPRING	
10	060300416	SCREW, BIND M3X4	
11	XC7172151	ASSY, BW SWITCH	
12	XA5876051	BOBBIN BASE ASSY	
13	X80321001	NT LOWER THREAD CUTTER	
14	XA5877051	BOBBIN THREAD CUTTER HOLDER	
15	XC6639151	ASSY: BW PCB	
16	XC6644151	THREAD GUIDE ROD ASSY	
17	XC5949051	SPOOL PIN	
18	XA0679050	SPOOL CUSHION	
19	XE9697101	AC ADAPTER SUPPLY ASSY EU	1000025686
	XE9695001	AC ADAPTER SA115B-24U	
20	XD0111151	POWER SUPPLY CORD:IRAM (ARG)	
	LN2284001	POWER SUPPLY CORD CSA LF (CAN)	
	XC9548051	POWER SUPPLY CORD:SAA-LF (AUS, NZL)	
	XF0749001	POWER SUPPLY CORD: BRZ (BRA)	1000025696
	XD0225051	POWER SUPPLY CORD:TWN (TWN)	
	XA5820051	MAIN POWER CODE (CHN)	
	X59354151	POWER SUPPLY CORD BS (IRL)	
	XA0070151	POWER SUPPLY CORD (OTHER)	
21	XC6630051	BOBBIN WINDER CARTON	
22	100376053	BOBBIN	
23	130012054	SPOOL PRESSER A	
24	XC5720051	BAG 260X440H	
25	X57367051	BAG, 135X150	
26	XC5974151	BOBBIN TENSION GAUGE	
27	XC6631051	BOBBIN TENSION GAUGE 45G	
28	XC7250051	INSERTION FOR THREAD TENSION	
29	XF0300001	INSERTION WEEE	
30	XE7716001	POWER SUPPLY CORD INSERTION	

OTHERS

EMBROIDERY TABLE



E



OTHERS

No.	CODE	NAME	REMARKS	No.	CODE	NAME	REMARKS
EMBROIDERY TABLE				EMBROIDERY FRAME HOLDER C (for PR-1000)			
1	XE7423001	POLYSTYRENE FOAM PAD CORNER		14	XE7400001	TUBULAR ROUND ARM RA ASSY	
2	XE7424001	PAD		15	XC7076051	SPRING,PLATE	
3	XE7425001	CARTON		16	XC7644051	SCREW, PAM (S/P WASHER) M3X5	
4	XE7197001	WIDE TABLE TOP		17	XE7149001	TUBLAR ROUND ARM LC ASSY	
5	XC5553051	THUMB BOLT M4 L		18	XE7375001	SEAL	
6	XC6459051	SHEET 1400X2000		19	XE7140001	GUIDE PLATE ASSY	
7	XE8036001	STUD		20	XE7152001	HOOP STAY C	
8	025040236	WASHER PLAIN M 4		21	XE2270001	MAGNET	
9	008400603	SCREW TRUSS M4X6		22	XE2271001	MAGNET HOLDER	
10	130800051	BAG 230X310H		23	060300613	SCREW BIND M3X6	
11	XE5132001	BAG_100X100		24	XE7143001	SPRING PLATE	
12	XE8480001	TABLE SET INSERTION		25	048030346	RETAINING RING E3	
13	XE7421001	TOOL WRENCH M7		26	XC5816051	RUBBER	
				27	0A5400806	SCREW PAN (S/P WASHER) M4X8	
				28	XE7146003	TUBULAR ARM COVER L2	
				29	XC5553051	THUMB BOLT M4 L	
				30	XE7174003	TUBULAR ARM COVER R2	
				31	136681051	TAPTITE, BIND B M3X8	
				32	XE7416001	SEAL C	
				33	XE2641001	BAG 280X470H	
				34	XD0639050	BUBBLE SHEET 300X300	1000023079
				35	XE7419001	CARTON	

brother®

17G10HF111001